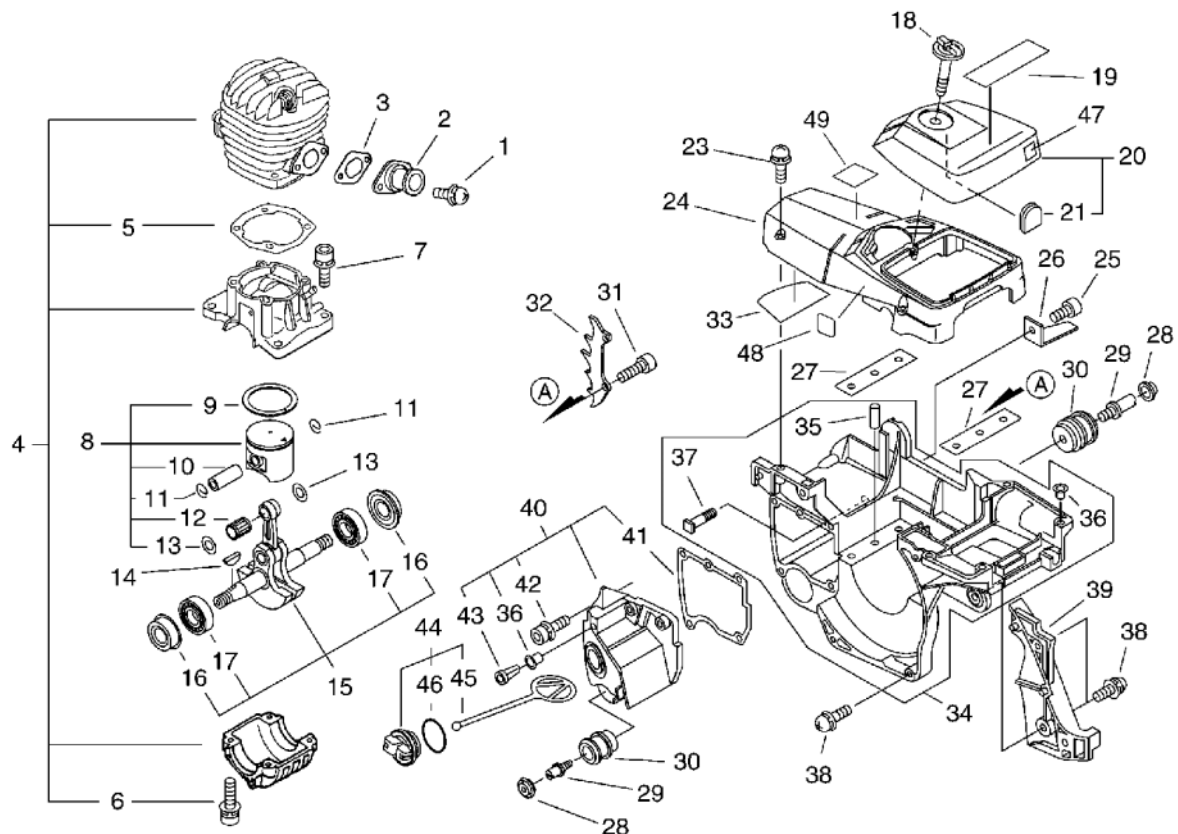




# **PARTS CATALOGUE**

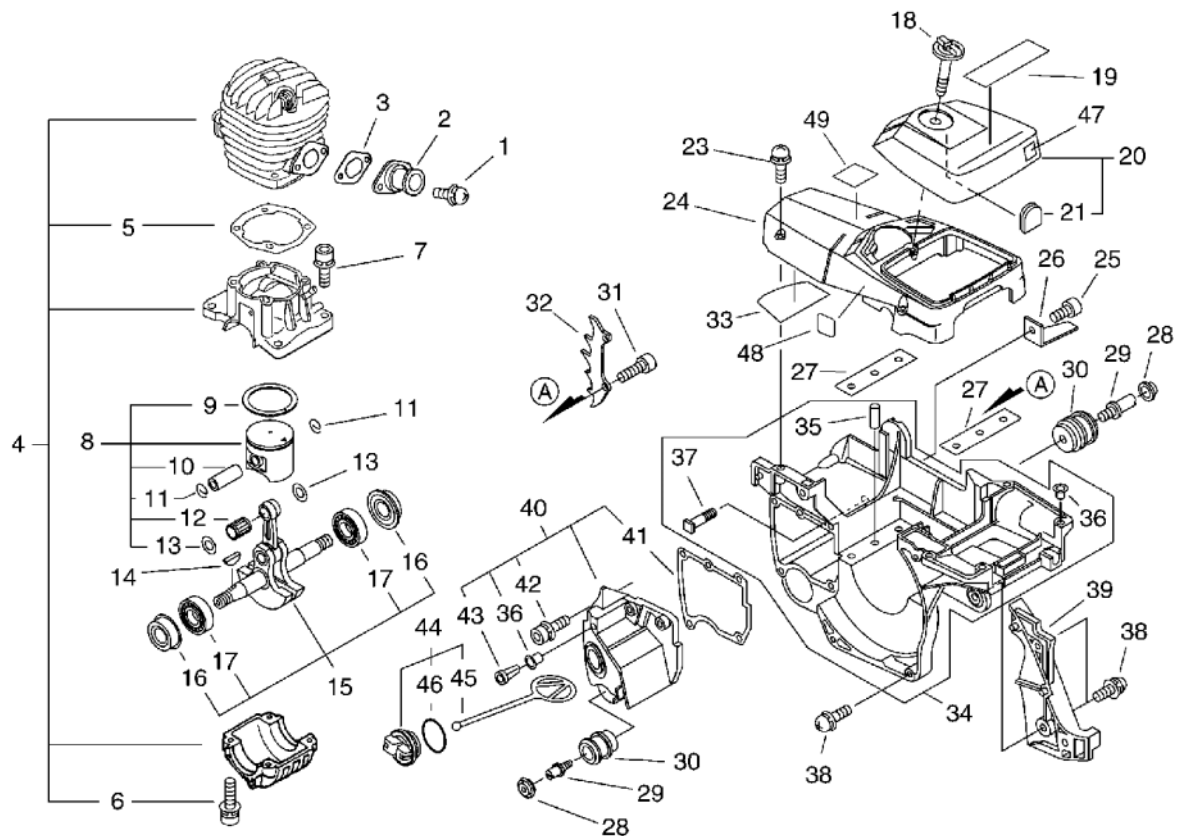
## **CHAIN SAW CS-450(36)**

# 1. Cylinder, Crankcase, Piston



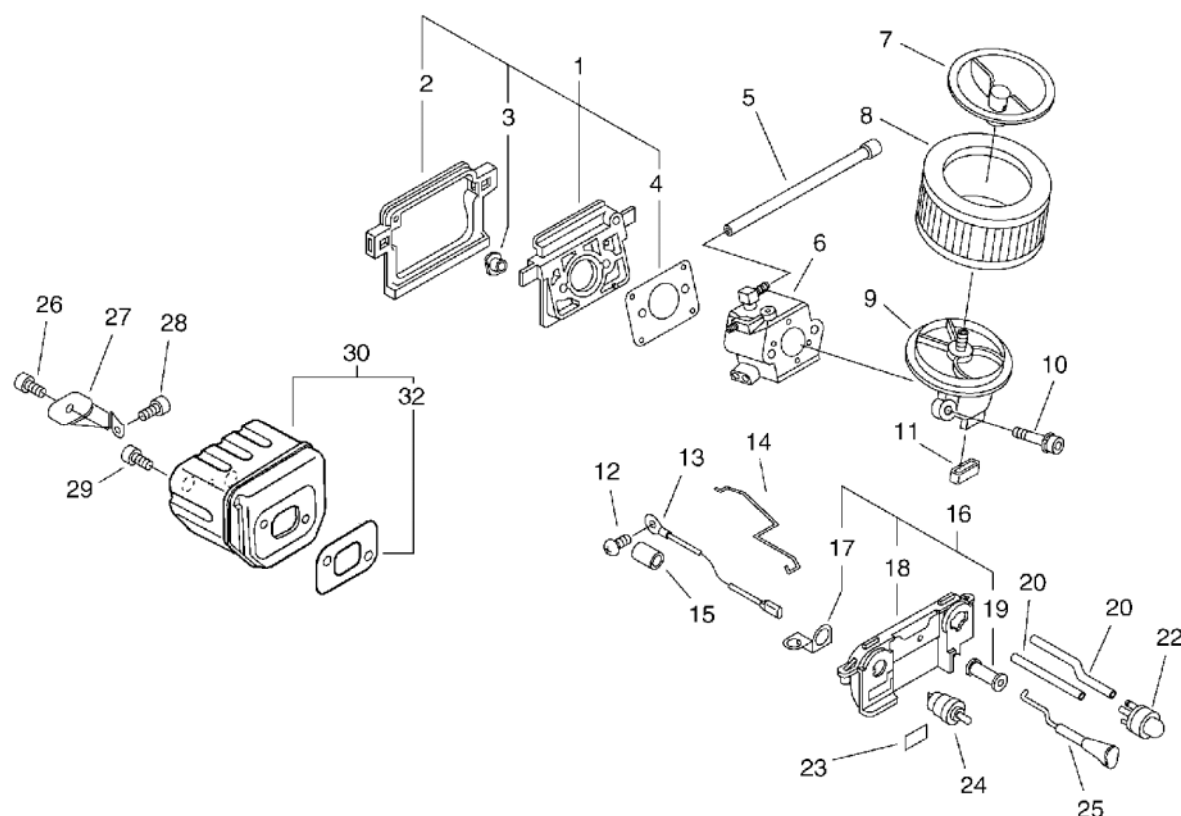
KEY	LV	PART NUMBER	Q'TY	DESCRIPTION	REMARKS	NOTE1	NOTE2
1		900238-05012	2	SCREW 5*12	5*12		
2		130510-39932	1	ADAPTER, INTAKE			
3		130016-39930	1	GASKET, INTAKE			
4		P021-012420	1	CRANKCASE SET			
5	+	V100-000131	1	GASKET,CYL			
6	+	900162-05055	4	BOLT, H.S. 5*55	5*55 W,SW		
7		900162-05022	4	BOLT, H.S. 5*22	5*22 W,SW		
8		P021-012430	1	PISTON KIT			
9	+	100011-38930	1	RING, PISTON			
10	+	100013-35430	1	PIN, PISTON	6*9*27.8		
11	+	100015-03931	2	CIRCLIP, PISTON PIN			
12	+	100012-35430	1	BEARING, NEEDLE	9*12*12		
13	+	100014-19730	2	SPACER, PISTON PIN			
14		100142-39130	1	KEY, WOODRUFF			
15		P021-012440	1	CRANKSHAFT ASY			
16	+	V505-000010	2	SEAL,OIL 12			
17	+	900888-36201	2	BEARING, BALL 6201	6201		
18		A235-000020	1	KNOB,CLEANER LID			
19		X503-008960	1	LABEL,MODEL	CS-450 EU ST1		
20		P021-014270	1	LID,CLEANER			
21	+	130338-32430	1	PLUG, COVER			
23		900238-05025	3	SCREW 5*25	5*25		
24		A160-000940	1	COVER,CYLINDER			
25		900162-05014	1	BOLT, H.S. 5*14	5*14 W,SW		
26		C310-000000	1	CATCHER, CHAIN			

# 1. Cylinder, Crankcase, Piston



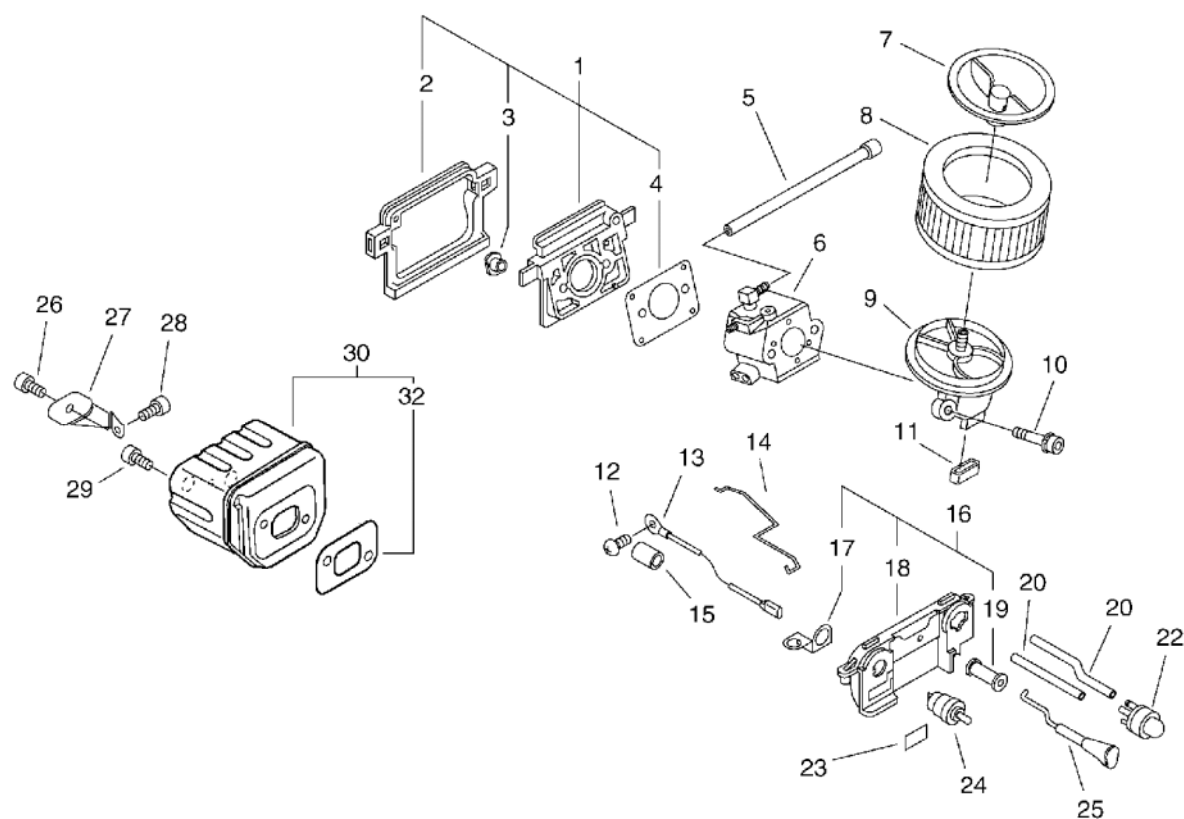
KEY	LV	PART NUMBER	Q'TY	DESCRIPTION	REMARKS	NOTE1	NOTE2
27		V150-001740	2	PLATE,EYE			
28		100918-38330	2	CAP, CUSHION			
29		100915-33930	2	SCREW			
30		100921-38330	2	CUSHION			
31		900105-05012	2	BOLT, H.S. 5*12	5*12		
32		C304-000030	1	SPIKED			
33		V341-000080	1	WASHER,SQUARE			
34		P021-012470	1	COVER, ENGINE			
35	+	100215-03930	2	PIN, DOWEL			
36	+	436018-38330	2	PIN, DOWEL			
37	+	433011-19830	2	STUD, GUIDE BAR			
38		900238-05016	3	SCREW 5*16	5*16		
39		C300-000321	1	GUARD, SPROCKET			
40		P021-012480	1	TANK, OIL			
36	+	436018-38330	1	PIN, DOWEL			
41	+	436019-38330	1	GASKET, OIL TANK			
42	+	900162-04016	3	BOLT, H.S. 4*16	4*16 W,SW		
43	+	436114-13930	1	VALVE, CHECK			
44		P021-007630	1	CAP ASY,TANK			
45	+	A365-000050	1	CONNECTOR,CAP			
46	+	900721-00025	1	O-RING 25	G-25		
47		X524-001900	1	LABEL			
48		X505-000180	1	LABEL,CAUTION			
49		890345-39230	1	LABEL,CAUTION			

## 2. Air Cleaner, Carburetor, Muffler



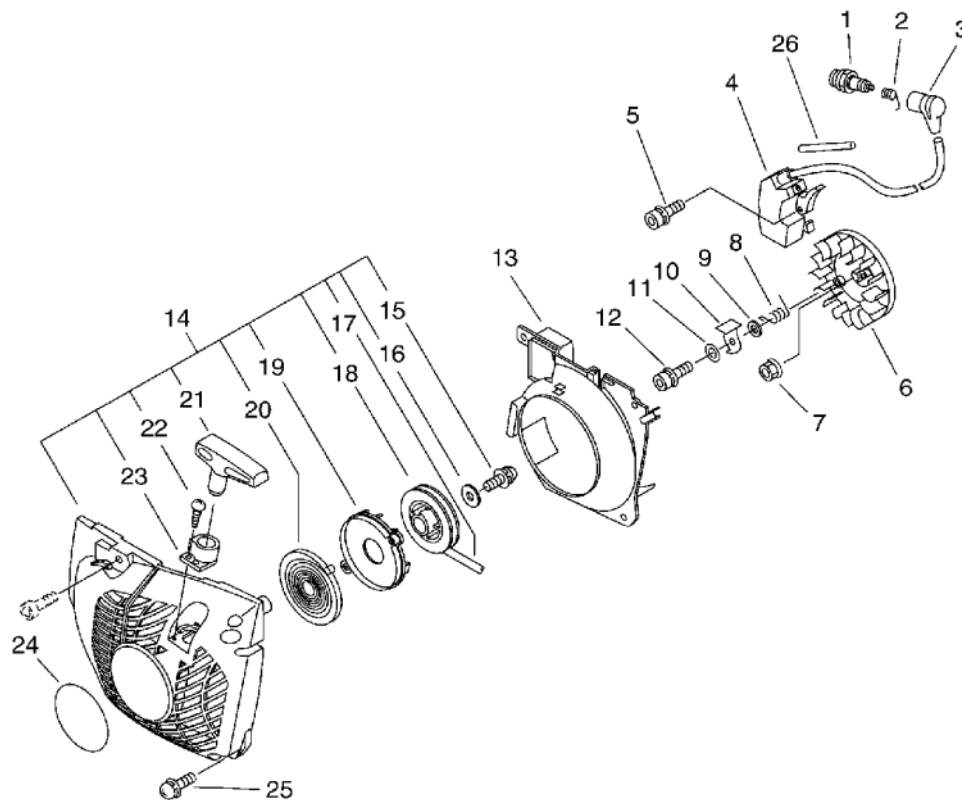
KEY	LV	PART NUMBER	Q'TY	DESCRIPTION	REMARKS	NOTE1	NOTE2
1		130000-38331	1	INSULATOR ASY,INTAKE			
2	+	V420-001130	1	CUSHION			
3	+	130020-33330	2	NUT			
4	+	130010-38330	1	GASKET, INTAKE			
5		130110-38330	1	PIPE, IMPULSE	3*5*110		
6		A021-001471	1	CARBURETOR,DIAPHRAGM	WT-901A		
7		130405-38332	1	BRACKET, AIR CLEANER			
8		130310-38331	1	FILTER, AIR			
9		A204-000004	1	ELBOW,CARBURETOR			
10		900162-05050	2	BOLT, H.S. 5*50	5*50 W,SW		
11		130430-38330	1	CUSHION			
12		900220-04006	1	SCREW 4*6	4*6		
13		162010-38332	1	LEAD, GROUND			
14		C454-000150	1	ROD, THROTTLE			
15		C483-000000	1	BOOT,CONNECTOR			
16		P021-012490	1	BRACKET, SWITCH KIT			
17	+	163413-38930	1	PLATE, SWITCH			
18	+	A439-000310	1	BRACKET, SWITCH			
19	+	178810-14534	1	GROMMET			
20		V471-001240	2	PIPE	2.5*5*140		
22		123181-39130	1	PUMP, PRIMER			
23		890157-39130	1	LABEL, SWITCH			
24		163400-38330	1	SWITCH, IGNITION			
25		A241-000101	1	KNOB, CHOKE			
26		91100-06008	1	BOLT	CB-6*8		
27		A319-000080	1	STAY, MUFFLER			

## 2. Air Cleaner, Carburetor, Muffler



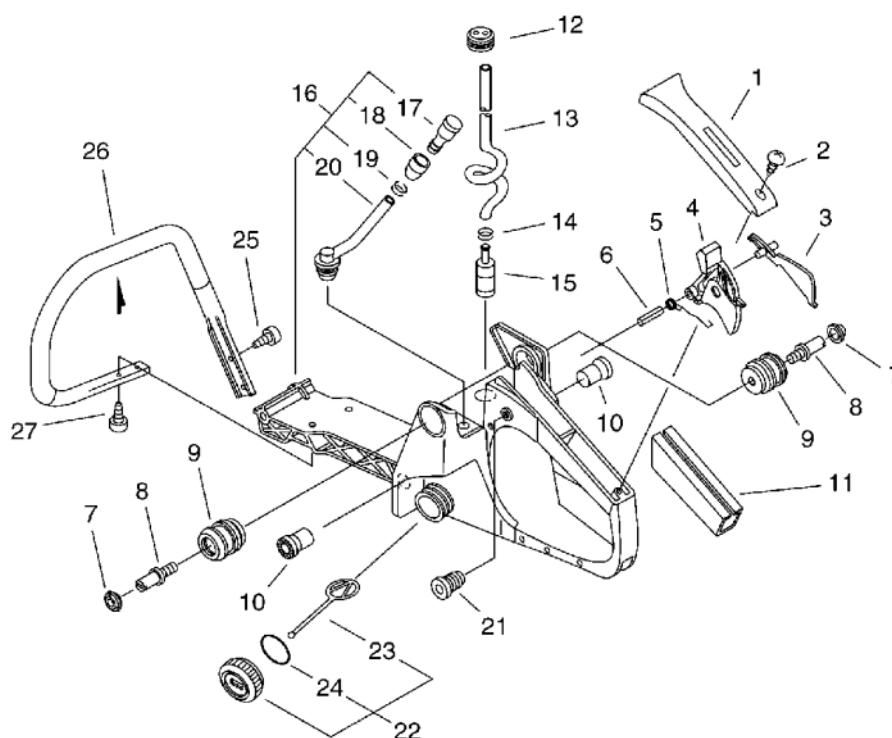
KEY	LV	PART NUMBER	Q'TY	DESCRIPTION	REMARKS	NOTE1	NOTE2
28		900105-06014	1	BOLT, H.S. 6*14	6*14		
29		900105-05016	2	BOLT, H.S. 5*16	5*16		
30		P021-013461	1	MUFFLER ASY			
32	+	145510-35431	1	GASKET, MUFFLER			

### 3. Starter, Magneto



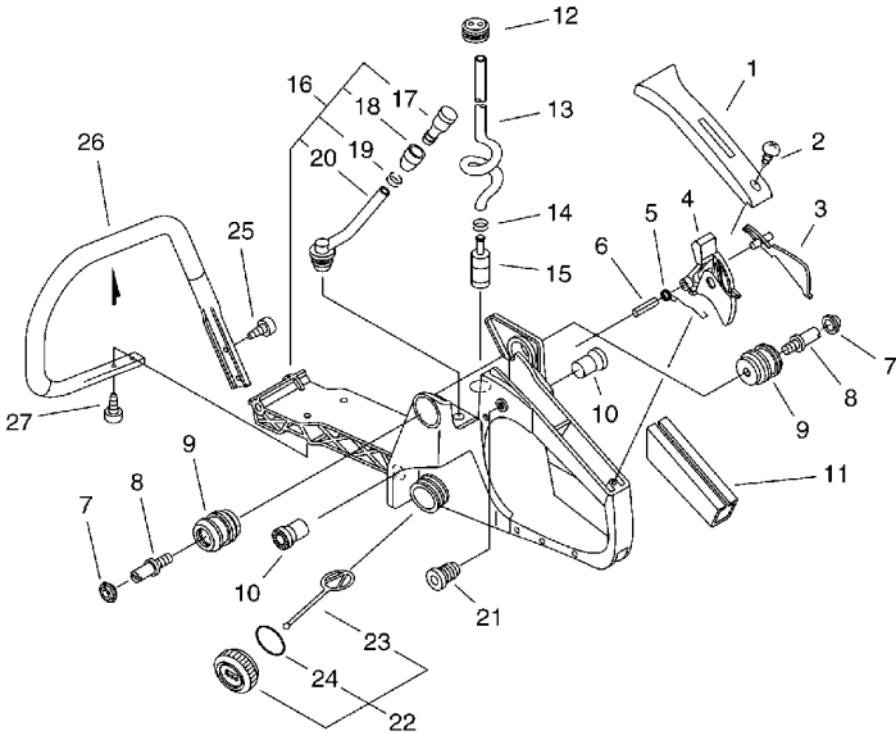
KEY	LV	PART NUMBER	Q'TY	DESCRIPTION	REMARKS	NOTE1	NOTE2
1		A425-000000	1	SPARKPLUG	BPMR8Y		
2		A426-000010	1	TERMINAL,SPARKPLUG			
3		A427-000013	1	CAP,SPARK PLUG			
4		A411-000182	1	COIL,IGNITION			
5		900162-04030	2	BOLT, H.S. 4*30	4*30 W.SW		
6		A409-000080	1	ROTOR,MAGNETO			
7		900515-00008	1	NUT, FLANGE 8	8		
8		177234-35430	2	SPRING, RETURN			
9		900603-00005	2	WASHER 5	5.5*12*0.8		
10		177218-19830	2	PAWL, STARTER			
11		177247-04630	2	SPACER, RATCHET	5.2*8*2.1		
12		V203-000090	2	BOLT,5	M5*14		
13		A172-000062	1	COVER,FAN			
14		P021-013481	1	STARTER ASY			
15	+	900238-05012	1	SCREW 5*12	5*12		
16	+	177214-02830	1	WASHER	5.2*16*1.0T		
17	+	177226-19830	1	ROPE, STARTER	3.5*850		
18	+	A506-000100	1	REEL, ROPE			
19	+	177221-35430	1	PLATE, STARTER			
20	+	177220-35430	1	SPRING, REWIND			
21	+	177228-35430	1	GRIP, STARTER (BL)			
22	+	900296-03014	1	SCREW 3*14	3*14 SUS		
23	+	177227-37930	1	GUIDE, ROPE			
24		X502-000410	1	LABEL,ECHO			
25		900238-05018	3	SCREW 5*18	5*18		
26		V475-002390	1	TUBE			

## 4. Handle



KEY	LV	PART NUMBER	Q'TY	DESCRIPTION	REMARKS	NOTE1	NOTE2
1		351155-35430	1	COVER, HANDLE (BL)			
2		900253-04014	1	SCREW 4*14	4*14		
3		C460-000072	1	LOCKOUT, THROTTLE			
4		C450-000212	1	CONTROL, THROTTLE			
5		V452-000260	1	SPRING,TORSION			
6		900345-40030	1	PIN, SPRING 4*30SUS	4*30SUS		
7		100918-38330	2	CAP, CUSHION			
8		100915-32530	2	BOLT			
9		100921-38330	2	CUSHION			
10		100910-38330	2	CUSHION			
11		351111-19830	1	GRIP, HANDLE			
12		132115-44330	1	GROMMET			
13		132010-38331	1	PIPE	3*6*165		
14		132013-26630	1	CLIP	6.5MM		
15		131205-19831	1	STRAINER, FUEL			
16		P021-012500	1	HANDLE ASY, REAR			
17	+	131300-56430	1	VALVE, CHECK			
18	+	131328-40630	1	COVER, VENT			
19	+	132013-26630	1	CLIP	6.5MM		
20	+	132012-39331	1	PIPE	3*6*105		
21		V162-000040	1	PLUG			
22		P021-010600	1	FUEL CAP ASY			
23	+	A365-000050	1	CONNECTOR,CAP			
24	+	900720-00022	1	O-RING 22	P-22		
25		91145-05020	2	BOLT HS TAPPING	5*20		
26		C400-000010	1	HANDLE,FRONT			

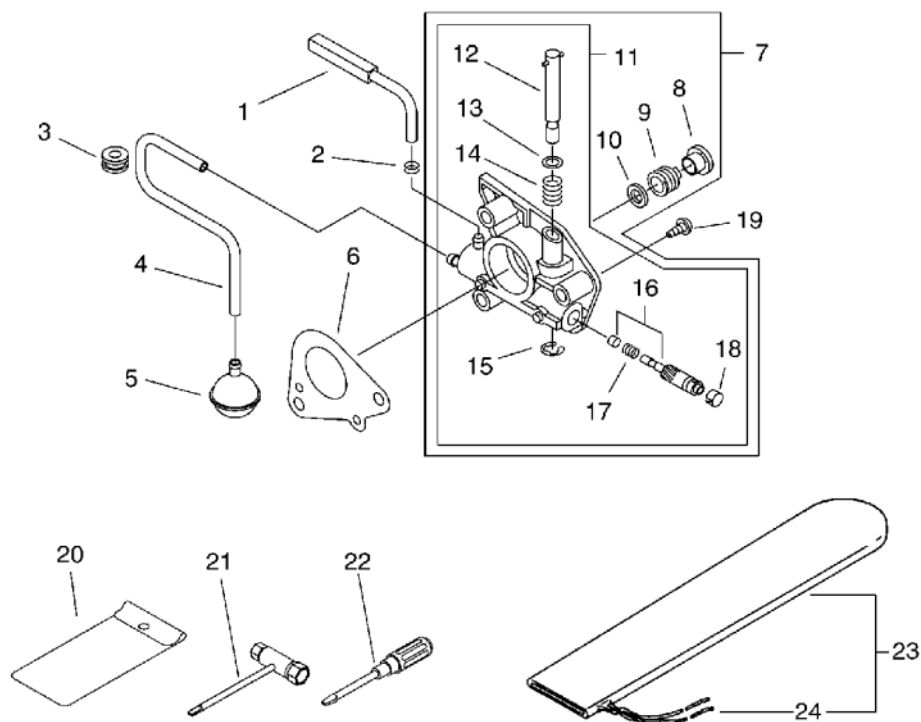
4. Handle



KEY	LV	PART NUMBER	Q'TY	DESCRIPTION	REMARKS	NOTE1	NOTE2
27		91145-05016	2	BOLT HS TAPPING	5*16		

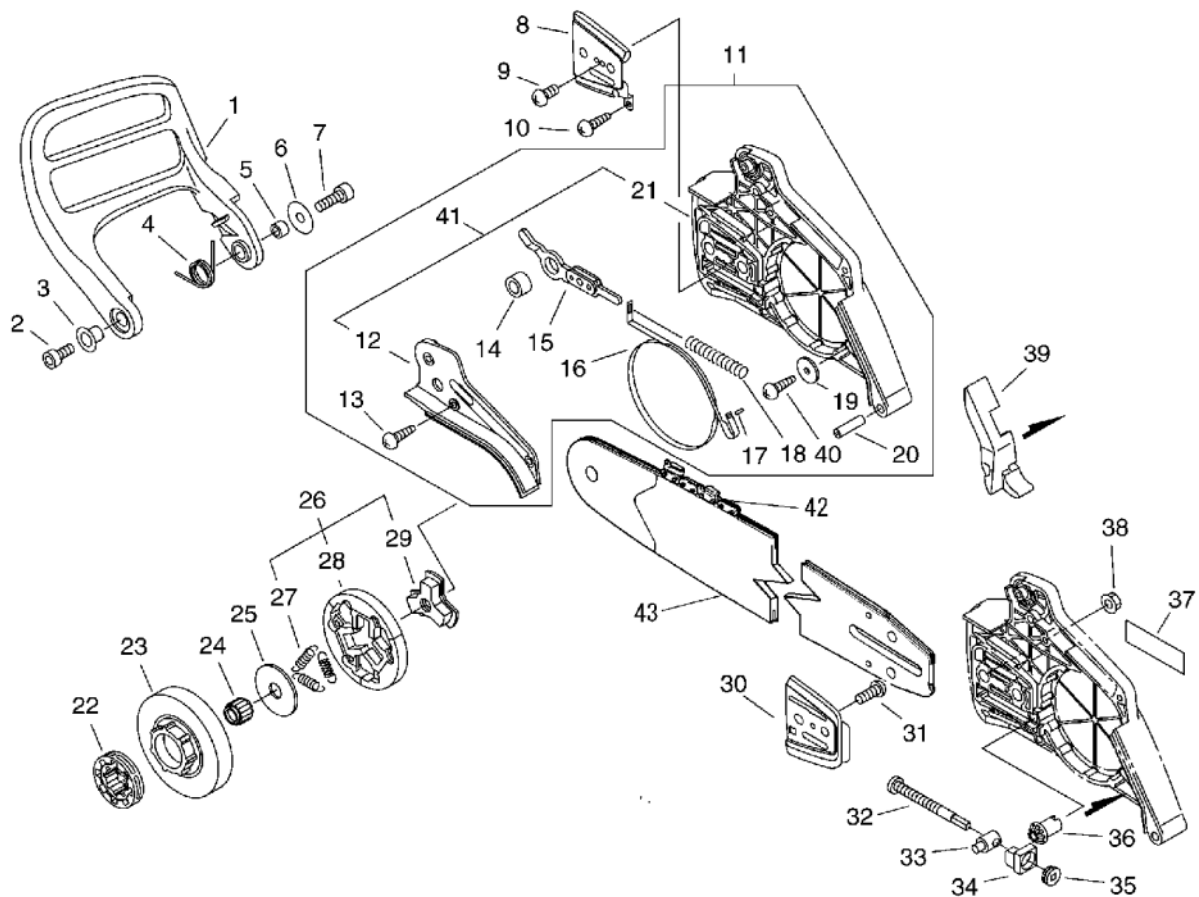


## 5. Auto-Oiler, Tools



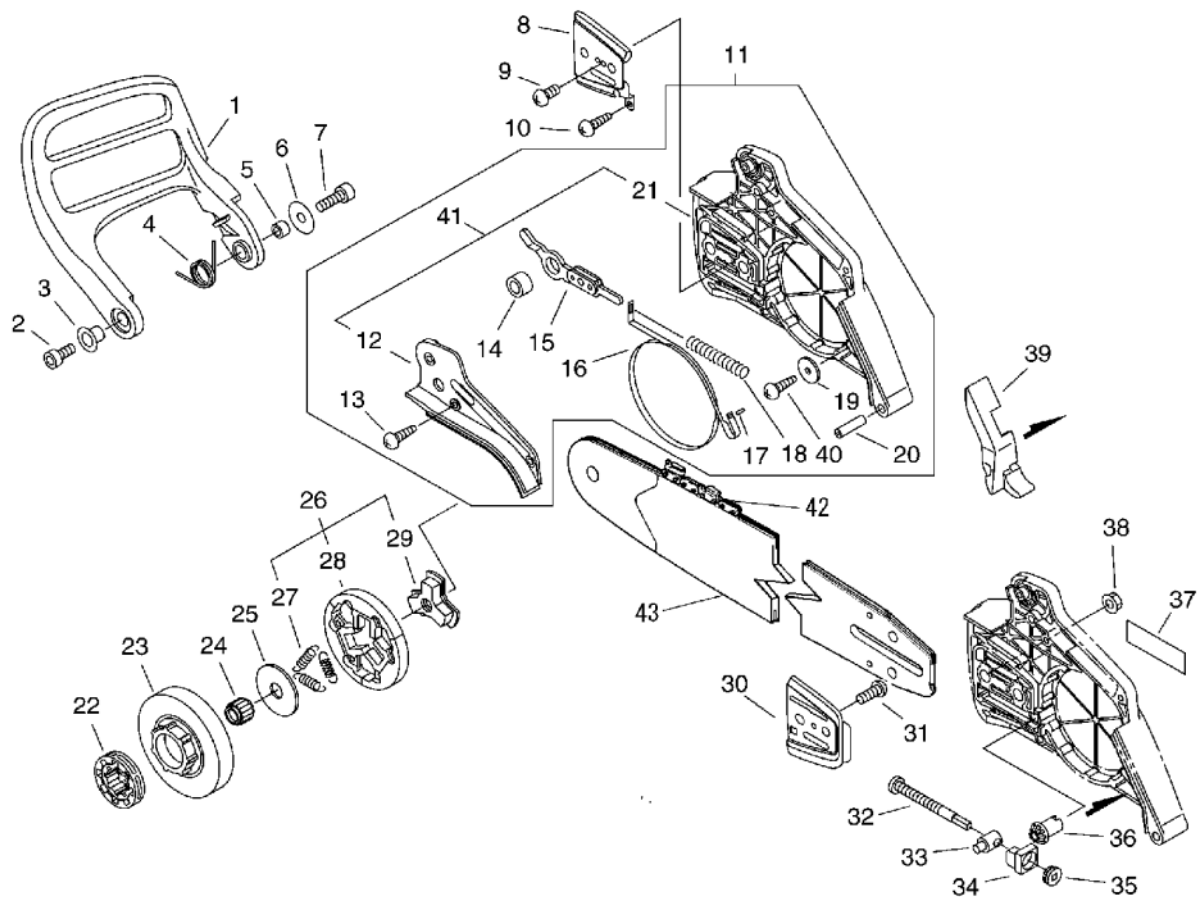
KEY	LV	PART NUMBER	Q'TY	DESCRIPTION	REMARKS	NOTE1	NOTE2
1		437229-38331	1	PIPE			
2		132013-26630	1	CLIP	6.5MM		
3		132115-12330	1	GROMMET			
4		437210-38330	1	PIPE, OIL			
5		436205-14730	1	STRAINER, OIL			
6		175310-38330	1	PLATE, SEAL			
7		P021-011291	1	AUTO-OILER ASY			
8	+	V356-000351	1	COLLAR,10			
9	+	V652-000030	1	GEAR,WORM			
10	+	V308-000030	1	WASHER,CIRCULAR 11	10.5*17.4*1.8		
11	+	C022-000030	1	AUTO-OILER ASSEMBLY	OP/JX-4272		
12	++	437016-38330	1	NEEDLE, ADJUST			
13	++	437029-37330	1	WASHER			
14	++	437015-37330	1	SPRING			
15	++	123127-15030	1	RING			
16	++	437024-37330	1	PLUNGER			
17	++	437019-38330	1	SPRING			
18	++	437062-38330	1	CAP, OIL PUMP			
19		900223-04016	2	SCREW	4*16		
20		898510-39130	1	BAG, TOOL			
21		X602-000080	1	TOOL,WRENCH	13*19 L180		
22		895811-00130	1	DRIVER, SCREW 125			
23		P021-014290	1	SCABBARD,CHAIN			
24	+	898568-14530	1	ROPE	5*900		

## 6. Clutch, Sprocket



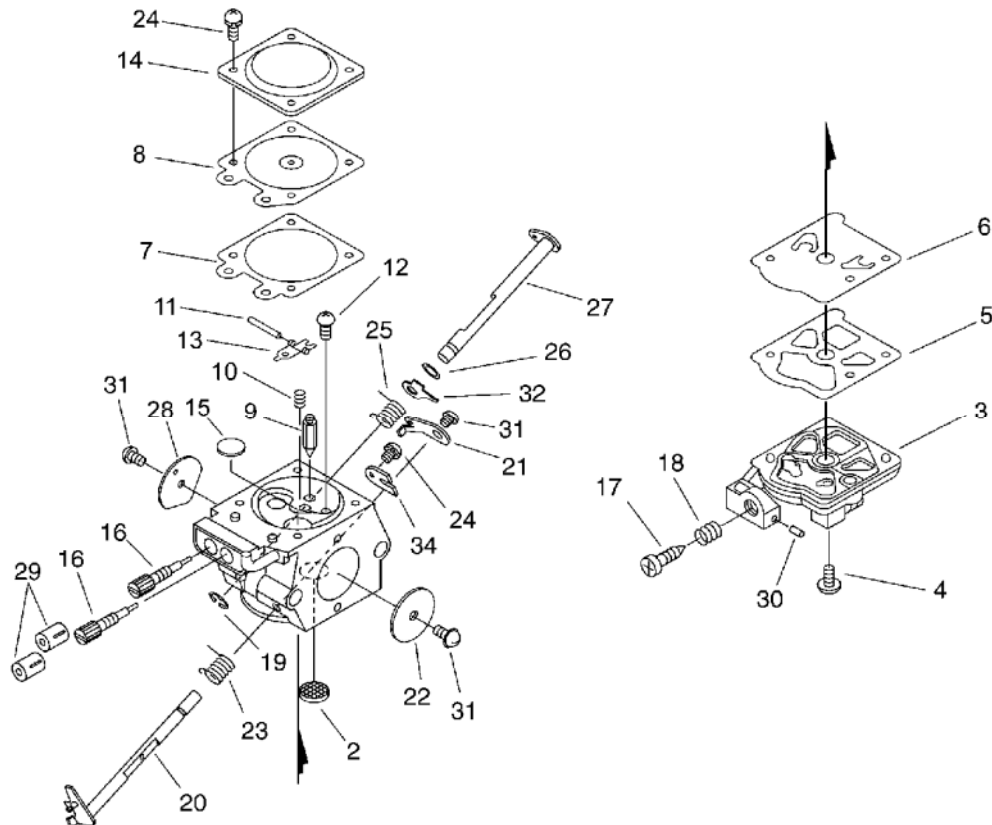
KEY	LV	PART NUMBER	Q'TY	DESCRIPTION	REMARKS	NOTE1	NOTE2
1		C320-000141	1	LEVER, BRAKE			
2		900105-05030	1	BOLT, H.S. 5*30	5*30		
3		V356-000300	1	COLLAR, 10			
4		V452-000250	1	SPRING, TORSION			
5		433116-35430	1	SPACER 8	8*12*9		
6		177214-03930	1	WASHER			
7		V202-000120	1	BOLT, 4			
8		C305-000001	1	PLATE, SPROCKET GUARD			
9		900220-03006	1	SCREW 3*6	3*6		
10		V202-000060	1	BOLT, 4	4*12		
11		C032-000321	1	BRAKE ASY, CHAIN			
41	+	P021-015240	1	GUARD, SPROCKET KIT			
12	++	C345-000241	1	COVER, BRAKE			
21	++	C300-000351	1	GUARD, SPROCKET			
13	+	V202-000060	3	BOLT, 4	4*12		
14	+	433116-35430	1	SPACER 8	8*12*9		
15	+	C334-000090	1	CONNECTOR, BRAKE			
16	+	C328-000110	1	BAND, BRAKE			
17	+	900330-30120	1	PIN	3*12		
18	+	V450-000070	1	SPRING, COMPRESSION			
19	+	351249-06960	1	WASHER			
20	+	900342-60025	1	PIN, SPRING	6*25		
40	+	900253-04016	1	SCREW 4*16	4*16		
22		175114-12530	1	SPROCKET, RIM .325			
23		A556-000440	1	DRUM, CLUTCH	0.325		

## 6. Clutch, Sprocket



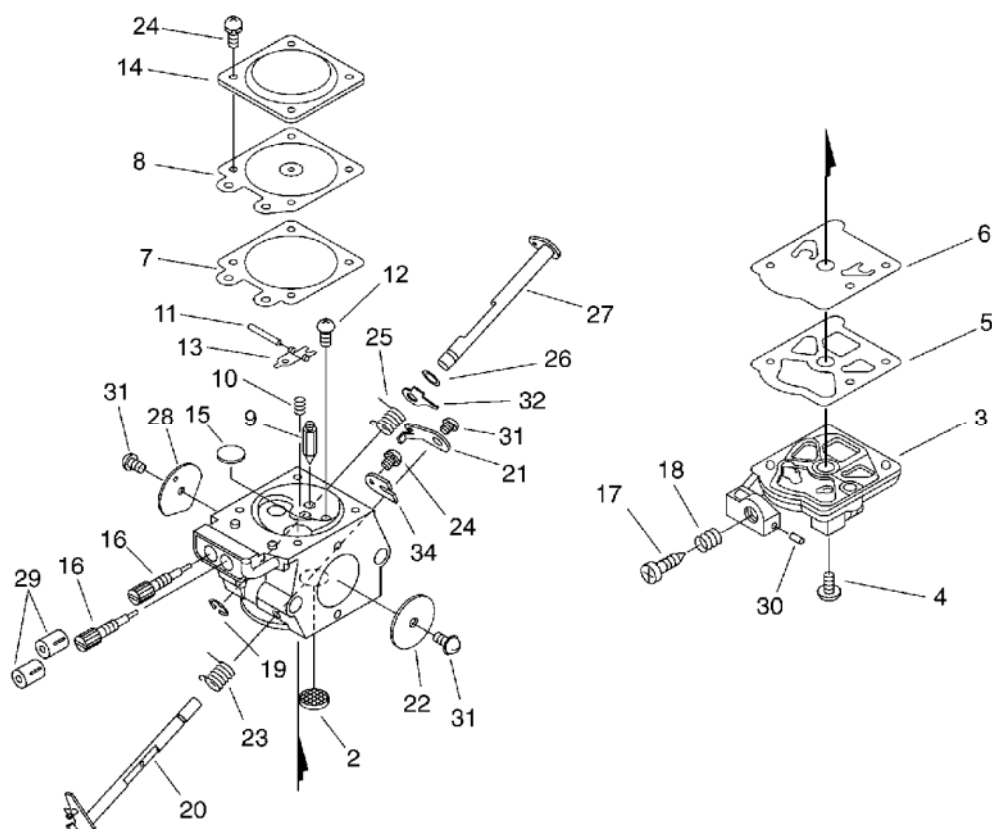
KEY	LV	PART NUMBER	Q'TY	DESCRIPTION	REMARKS	NOTE1	NOTE2
24		V555-000070	1	BEARING,NEEDLE 10	PK10*14*9.8*14		
25		175019-39430	1	PLATE, CLUTCH			
26		A056-000180	1	CLUTCH ASY			
27	+	V451-000500	3	SPRING,TENSION			
28	+	P021-007050	1	CLUTCH SHOE SET			
29	+	A552-000070	1	HUB, CLUTCH			
30		433013-35432	1	PLATE, GUIDE (INNER)			
31		900220-04006	1	SCREW 4*6	4*6		
32		V203-000110	1	BOLT,5			
33		C309-000030	1	TENSIONER,CHAIN			
34		V355-000270	1	COLLAR,8			
35		V651-000011	1	GEAR,BEVEL			
36		V651-000001	1	GEAR,BEVEL			
37		X502-000340	1	LABEL,ECHO	ECHO(WHITE)		
38		433019-12330	2	NUT, FLANGE 8	M-8		
39		C302-000000	1	PAD, GUARD			
42		431721-30230	1	CHAIN, SAW 21BP-64E	21BP-64E		
43		430521-30131	1	BAR,GUIDE 38RV58-325	38RV58-325E		

## 7. Carburettor



KEY	LV	PART NUMBER	Q'TY	DESCRIPTION	REMARKS	NOTE1	NOTE2
		A021-001471	1	CARBURETOR,DIAPHRAGM	WT-901A		
2	+	123126-10631	1	SCREEN, INLET			
3	+	123124-38330	1	COVER, FUEL PUMP			
4	+	123110-03930	1	SCREW, PUMP COVER			
5	+	123125-15030	1	GASKET, FUEL PUMP			
6	+	123112-15030	1	DIAPHRAGM, FUEL PUMP			
7	+	123140-03930	1	GASKET, M. DIAPHRAGM			
8	+	P003-001850	1	DIAPHRAGM, METERING			
9	+	123137-19830	1	VALVE, INLET NEEDLE			
10	+	123122-39330	1	SPRING, METER. LEVER			
11	+	123138-03930	1	PIN, METERING LEVER			
12	+	123139-03930	1	SCREW, M. LEVER PIN			
13	+	123123-03930	1	LEVER, METERING			
14	+	123142-03930	1	COVER, M. DIAPHRAGM			
15	+	123146-10631	1	PLUG, WELCH			
16	+	123120-03661	2	NEEDLE			
17	+	123134-04260	1	SCREW, IDLE ADJUST			
18	+	123133-04260	1	SPRING, IDLE ADJUST			
19	+	123127-15030	1	RING			
20	+	P003-001810	1	SHAFT ASY,THROTTLE			
21	+	P003-001780	1	LEVER, THROTTLE			
22	+	123116-10530	1	VALVE, THROTTLE			
23	+	123113-37530	1	SPRING, THROTTLE RTN			
24	+	123130-02960	5	SCREW			
25	+	P003-000140	1	SPRING			
26	+	123149-26030	1	WASHER			

## 7. Carburettor



KEY	LV	PART NUMBER	Q'TY	DESCRIPTION	REMARKS	NOTE1	NOTE2
27	+	P003-000150	1	CHOKE, SHAFT			
28	+	P003-002200	1	VALVE, CHOKE			
29	+	P003-000010	2	LIMITER CAP			
30	+	123178-15030	1	PLUG, FRICTION			
31	+	123114-38830	3	SCREW			
32	+	P003-001510	1	LEVER-FAST IDLE			
34	+	123127-03930	1	CLIP, THROTTLE SHAFT			

**Index**

<b>Patrs Number</b>	<b>Key No.</b>	<b>Patrs Number</b>	<b>Key No.</b>	<b>Patrs Number</b>	<b>Key No.</b>
100011-38930	1 - 9	130510-39932	1 - 2	437062-38330	5 - 18
100012-35430	1 - 12	131205-19831	4 - 15	437210-38330	5 - 4
100013-35430	1 - 10	131300-56430	4 - 17	437229-38331	5 - 1
100014-19730	1 - 13	131328-40630	4 - 18	890157-39130	2 - 23
100015-03931	1 - 11	132010-38331	4 - 13	890345-39230	1 - 49
100142-39130	1 - 14	132012-39331	4 - 20	895811-00130	5 - 22
100215-03930	1 - 35	132013-26630	4 - 14	898510-39130	5 - 20
100910-38330	4 - 10	132013-26630	4 - 19	898568-14530	5 - 24
100915-32530	4 - 8	132013-26630	5 - 2	900105-05012	1 - 31
100915-33930	1 - 29	132115-12330	5 - 3	900105-05016	2 - 29
100918-38330	1 - 28	132115-44330	4 - 12	900105-05030	6 - 2
100918-38330	4 - 7	145510-35431	2 - 32	900105-06014	2 - 28
100921-38330	1 - 30	162010-38332	2 - 13	900162-04016	1 - 42
100921-38330	4 - 9	163400-38330	2 - 24	900162-04030	3 - 5
123110-03930	7 - 4	163413-38930	2 - 17	900162-05014	1 - 25
123112-15030	7 - 6	175019-39430	6 - 25	900162-05022	1 - 7
123113-37530	7 - 23	175114-12530	6 - 22	900162-05050	2 - 10
123114-38830	7 - 31	175310-38330	5 - 6	900162-05055	1 - 6
123116-10530	7 - 22	177214-02830	3 - 16	900220-03006	6 - 9
123120-03661	7 - 16	177214-03930	6 - 6	900220-04006	2 - 12
123122-39330	7 - 10	177218-19830	3 - 10	900220-04006	6 - 31
123123-03930	7 - 13	177220-35430	3 - 20	900223-04016	5 - 19
123124-38330	7 - 3	177221-35430	3 - 19	900238-05012	1 - 1
123125-15030	7 - 5	177226-19830	3 - 17	900238-05012	3 - 15
123126-10631	7 - 2	177227-37930	3 - 23	900238-05016	1 - 38
123127-03930	7 - 34	177228-35430	3 - 21	900238-05018	3 - 25
123127-15030	5 - 15	177234-35430	3 - 8	900238-05025	1 - 23
123127-15030	7 - 19	177247-04630	3 - 11	900253-04014	4 - 2
123130-02960	7 - 24	178810-14534	2 - 19	900253-04016	6 - 40
123133-04260	7 - 18	351111-19830	4 - 11	900296-03014	3 - 22
123134-04260	7 - 17	351155-35430	4 - 1	900330-30120	6 - 17
123137-19830	7 - 9	351249-06960	6 - 19	900342-60025	6 - 20
123138-03930	7 - 11	430521-30131	6 - 43	900345-40030	4 - 6
123139-03930	7 - 12	431721-30230	6 - 42	900515-00008	3 - 7
123140-03930	7 - 7	433011-19830	1 - 37	900603-00005	3 - 9
123142-03930	7 - 14	433013-35432	6 - 30	900720-00022	4 - 24
123146-10631	7 - 15	433019-12330	6 - 38	900721-00025	1 - 46
123149-26030	7 - 26	433116-35430	6 - 5	900888-36201	1 - 17
123178-15030	7 - 30	433116-35430	6 - 14	91100-06008	2 - 26
123181-39130	2 - 22	436018-38330	1 - 36	91145-05016	4 - 27
130000-38331	2 - 1	436018-38330	1 - 36	91145-05020	4 - 25
130010-38330	2 - 4	436019-38330	1 - 41	A021-001471	2 - 6
130016-39930	1 - 3	436114-13930	1 - 43	A021-001471	7 -
130020-33330	2 - 3	436205-14730	5 - 5	A056-000180	6 - 26
130110-38330	2 - 5	437015-37330	5 - 14	A160-000940	1 - 24
130310-38331	2 - 8	437016-38330	5 - 12	A172-000062	3 - 13
130338-32430	1 - 21	437019-38330	5 - 17	A204-000004	2 - 9
130405-38332	2 - 7	437024-37330	5 - 16	A235-000020	1 - 18
130430-38330	2 - 11	437029-37330	5 - 13	A241-000101	2 - 25

**Index**

<b>Patrs Number</b>	<b>Key No.</b>	<b>Patrs Number</b>	<b>Key No.</b>	<b>Patrs Number</b>	<b>Key No.</b>
A319-000080	2 - 27	P021-013461	2 - 30		
A365-000050	1 - 45	P021-013481	3 - 14		
A365-000050	4 - 23	P021-014270	1 - 20		
A409-000080	3 - 6	P021-014290	5 - 23		
A411-000182	3 - 4	P021-015240	6 - 41		
A425-000000	3 - 1	V100-000131	1 - 5		
A426-000010	3 - 2	V150-001740	1 - 27		
A427-000013	3 - 3	V162-000040	4 - 21		
A439-000310	2 - 18	V202-000060	6 - 10		
A506-000100	3 - 18	V202-000060	6 - 13		
A552-000070	6 - 29	V202-000120	6 - 7		
A556-000440	6 - 23	V203-000090	3 - 12		
C022-000030	5 - 11	V203-000110	6 - 32		
C032-000321	6 - 11	V308-000030	5 - 10		
C300-000321	1 - 39	V341-000080	1 - 33		
C300-000351	6 - 21	V355-000270	6 - 34		
C302-000000	6 - 39	V356-000300	6 - 3		
C304-000030	1 - 32	V356-000351	5 - 8		
C305-000001	6 - 8	V420-001130	2 - 2		
C309-000030	6 - 33	V450-000070	6 - 18		
C310-000000	1 - 26	V451-000500	6 - 27		
C320-000141	6 - 1	V452-000250	6 - 4		
C328-000110	6 - 16	V452-000260	4 - 5		
C334-000090	6 - 15	V471-001240	2 - 20		
C345-000241	6 - 12	V475-002390	3 - 26		
C400-000010	4 - 26	V505-000010	1 - 16		
C450-000212	4 - 4	V555-000070	6 - 24		
C454-000150	2 - 14	V651-000001	6 - 36		
C460-000072	4 - 3	V651-000011	6 - 35		
C483-000000	2 - 15	V652-000030	5 - 9		
P003-000010	7 - 29	X502-000340	6 - 37		
P003-000140	7 - 25	X502-000410	3 - 24		
P003-000150	7 - 27	X503-008960	1 - 19		
P003-001510	7 - 32	X505-000180	1 - 48		
P003-001780	7 - 21	X524-001900	1 - 47		
P003-001810	7 - 20	X602-000080	5 - 21		
P003-001850	7 - 8				
P003-002200	7 - 28				
P021-007050	6 - 28				
P021-007630	1 - 44				
P021-010600	4 - 22				
P021-011291	5 - 7				
P021-012420	1 - 4				
P021-012430	1 - 8				
P021-012440	1 - 15				
P021-012470	1 - 34				
P021-012480	1 - 40				
P021-012490	2 - 16				
P021-012500	4 - 16				

# YAMABIKO CORPORATION

7-2 SUEHIROCHO 1-CHOME, OHME, TOKYO 198-8760, JAPAN  
PHONE: 81-428-32-6118. FAX: 81-428-32-6145.

