

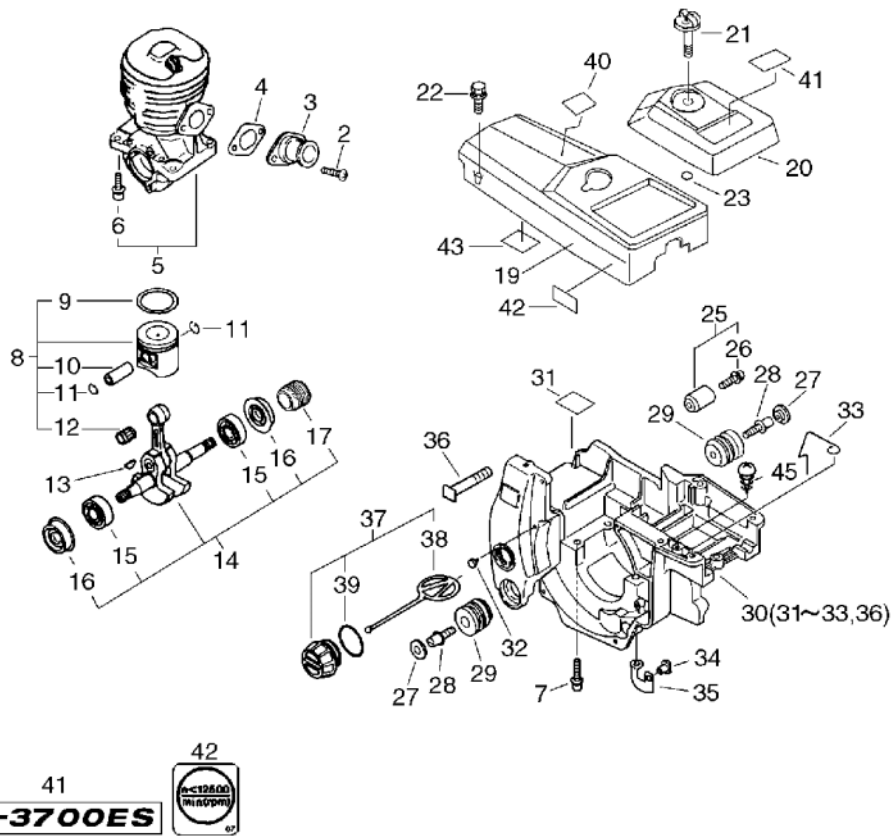


PARTS CATALOGUE

CHAIN SAW CS-3700ES(36)

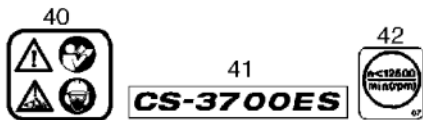
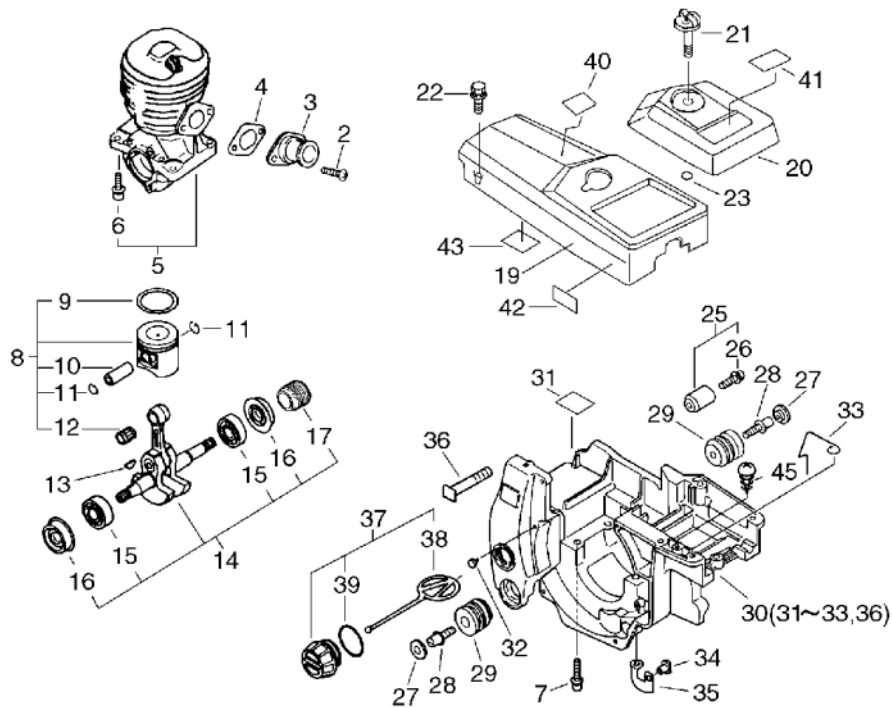
CS-3700ES(36)

1. Cylinder, Crankcase, Piston



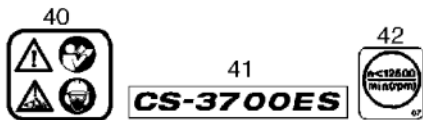
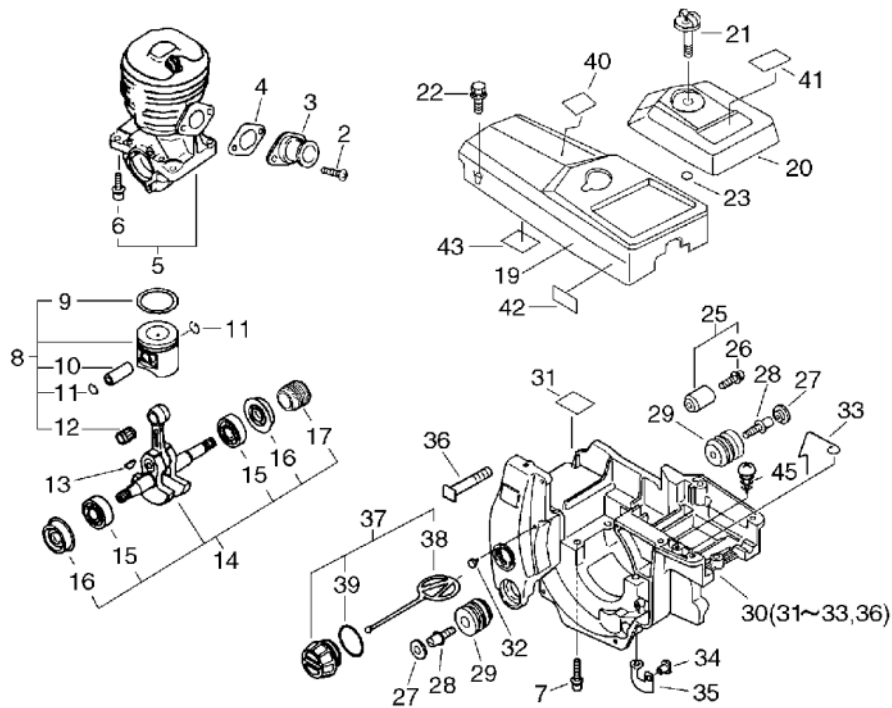
KEY	LV	PART NUMBER	Q'TY	DESCRIPTION	REMARKS	NOTE1	NOTE2
2		900238-05012	2	SCREW 5*12	5*12		
3		130510-39932	1	ADAPTER, INTAKE			
4		130016-39930	1	GASKET, INTAKE			
5		P021-004100	1	CRANKCASE SET			
6	+	900162-05022	4	BOLT, H.S. 5*22	5*22 W,SW		
7		900162-05030	4	BOLT, H.S. 5*30	5*30 W,SW		
8		100000-60631	1	PISTON KIT			
9	+	100011-13330	1	RING, PISTON			
10	+	100013-35430	1	PIN, PISTON	6*9*27.8		
11	+	100015-03931	2	CIRCLIP, PISTON PIN			
12	+	100012-35430	1	BEARING, NEEDLE	9*12*12		
13		100142-39130	1	KEY, WOODRUFF			
14		100101-39930	1	CRANKSHAFT		Sr/Nr 35006341and before	
14		P021-007240	1	CRANKSHAFT ASY		Sr/Nr 35006342 and after	
15	+	900888-36201	2	BEARING, BALL 6201	6201		
16	+	100213-38330	2	OILSEAL	15Z=12*35*6.4	Sr/Nr 35006341and before	
16	+	V505-000010	2	SEAL,OIL 12		Sr/Nr 35006342 and after	
17	+	437063-38330	1	GEAR, WORM			
19		A160-000013	1	COVER,CYLINDER		Sus. by A160-000014	
19		A160-000014	1	COVER,CYLINDER			

1. Cylinder, Crankcase, Piston



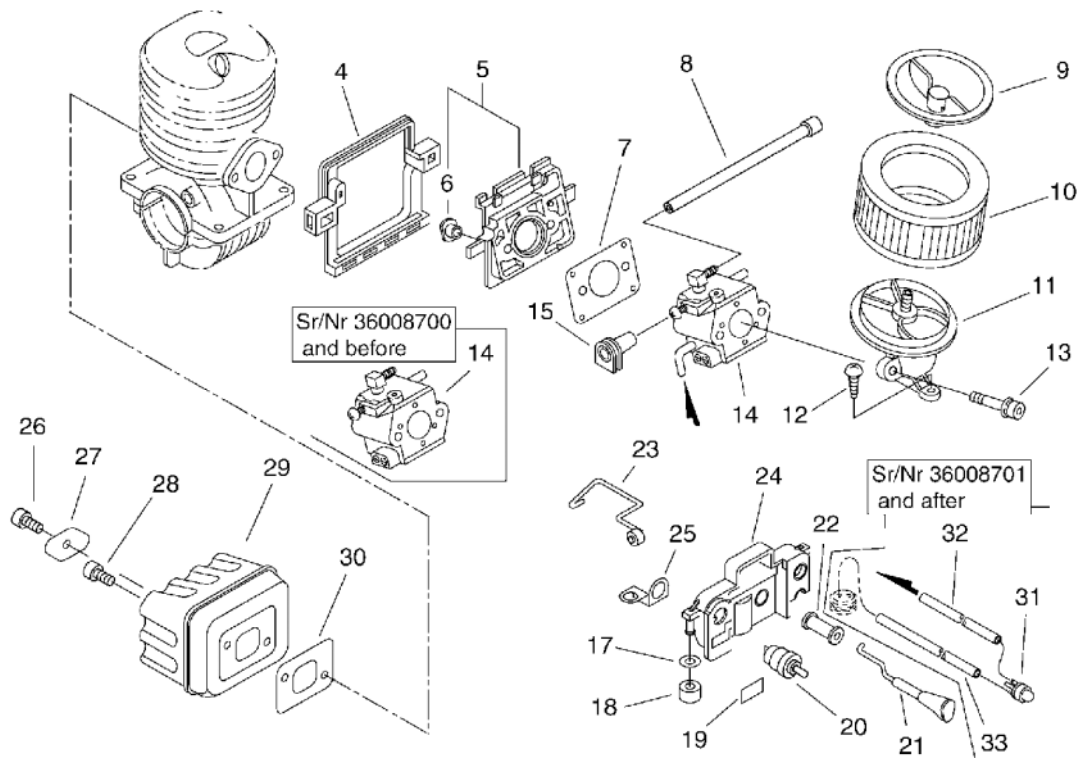
KEY	LV	PART NUMBER	Q'TY	DESCRIPTION	REMARKS	NOTE1	NOTE2
20		A232-000020	1	LID,CLEANER		Sus. by A232-000021	
20		A232-000021	1	LID,CLEANER		Sus. by A232-000022	
21		A235-000020	1	KNOB,CLEANER LID			
22		900238-05025	3	SCREW 5*25	5*25		
23		130338-32430	1	PLUG, COVER			
25		433000-60930	1	CATCHER KIT, CHAIN			
26	+	900253-05020	1	SCREW 5*20	5*20		
27		100918-19830	2	CAP, CUSHION			
28		100915-33930	2	SCREW			
29		100910-60030	2	CUSHION			
30		104008-60630	1	COVER, ENGINE BS		Sus. by P021-007181	
30		104008-60631	1	COVER, ENGINE		Sus. by P021-007181	
30		P021-007180	1	COVER, ENGINE		Sus. by P021-007181	
30		P021-007181	1	COVER, ENGINE			
31	+	101520-35430	1	COVER			
32	+	436114-13930	1	VALVE, CHECK			
33		606416-60630	1	WIRE		Sr/Nr 35006741 and before	
33	+	606416-60631	1	WIRE		Sr/Nr 35006742 and after	
36	+	433011-19830	2	STUD, GUIDE BAR			

1. Cylinder, Crankcase, Piston



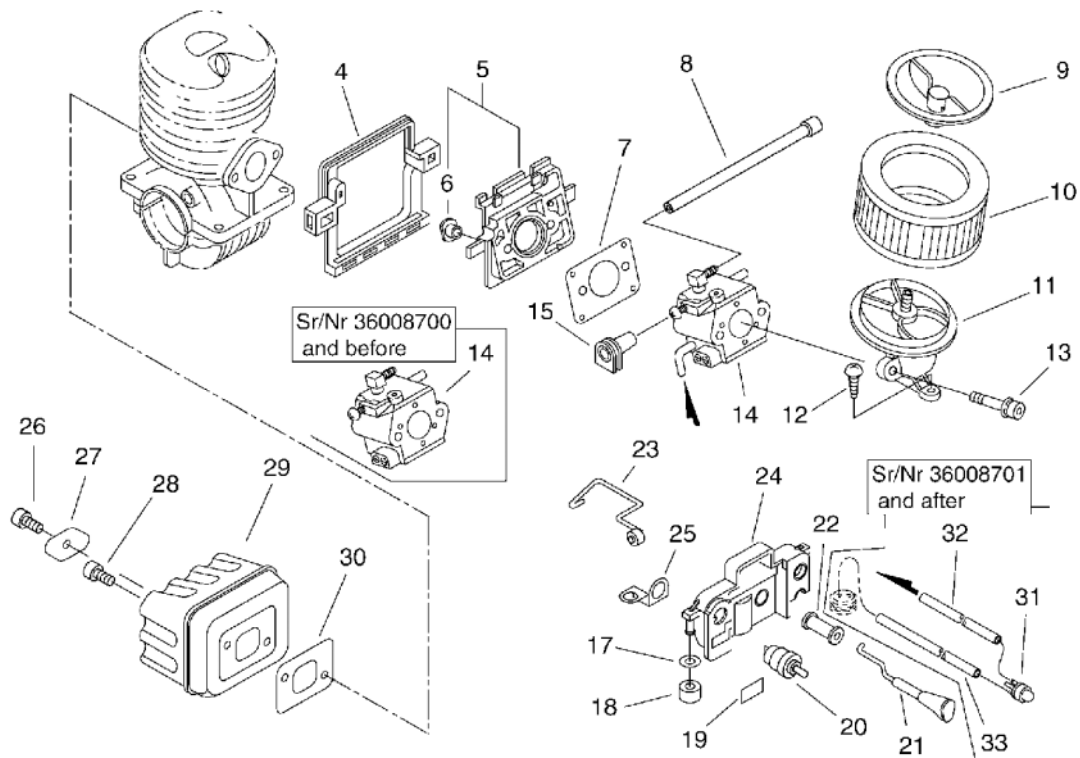
KEY	LV	PART NUMBER	Q'TY	DESCRIPTION	REMARKS	NOTE1	NOTE2
34		130020-60630	2	NUT 5			
35		162011-60630	1	PLATE, GROUND			
37		436001-65630	1	CAP ASSY,TANK		Sus. by 436001-39232	
37		436001-65631	1	CAP, OIL		Sus. by 436001-39232	
37		436001-39232	1	CAP, OIL			
38	+	131051-19830	1	LINK	60L	Sus. by A365-000050	
38	+	A365-000050	1	CONNECTOR,CAP			
39	+	900725-02025	1	O-RING	JASO 2025	Sus. by 900721-00025	
39	+	900721-00025	1	O-RING 25	G-25		
40		890345-39230	1	LABEL,CAUTION			
41		X503-004710	1	LABEL,MODEL	CS-3700ES	Sus. by X503-004711	
41		X503-004711	1	LABEL,MODEL	CS-3700ES		
42		890631-38130	1	LABEL, CAUTION			
43		101520-35430	1	COVER			
45		900253-04008	1	SCREW 4*8	4*8		

2. Air Cleaner, Muffler



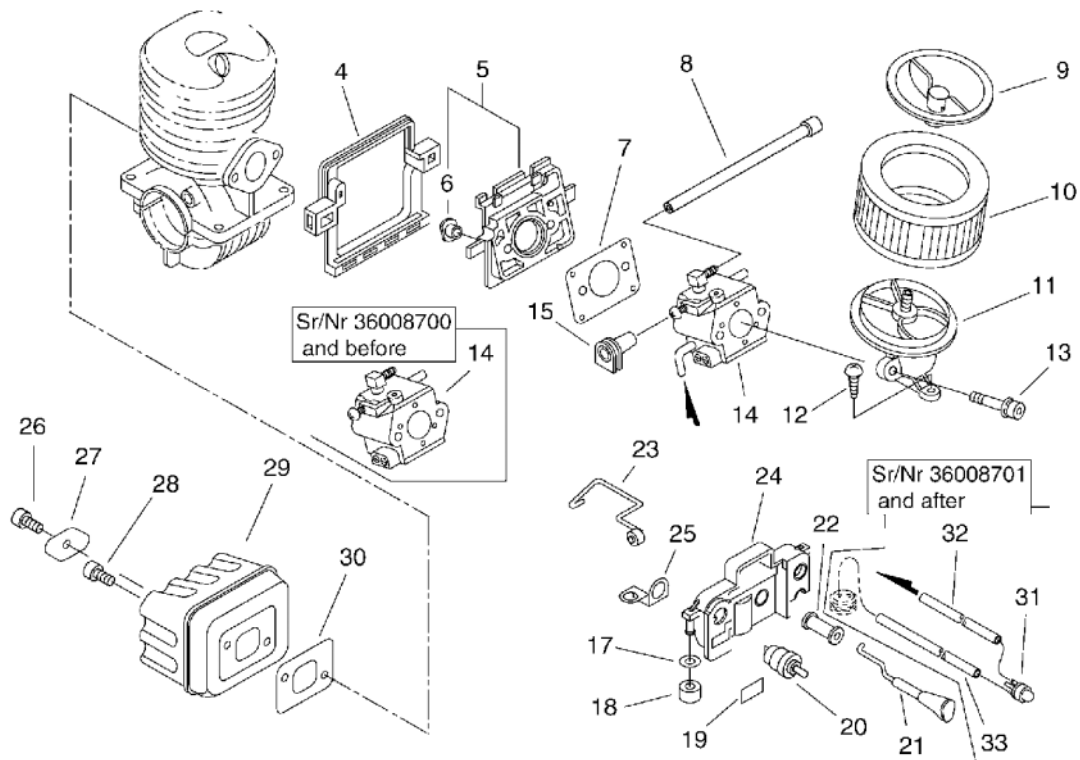
KEY	LV	PART NUMBER	Q'TY	DESCRIPTION	REMARKS	NOTE1	NOTE2
4		130366-39930	1	CUSHION			
5		130007-39930	1	INSULATOR		Sus. by 130007-39931	
5		130007-39931	1	INSULATOR			
6	+	130020-33330	2	NUT			
7		130010-38330	1	GASKET, INTAKE			
8		130110-54430	1	PIPE, IMPULSE	3*6*105 NBR		
9		130405-38331	1	BRACKET, AIR CLEANER		Sus. by 130405-38332	
10		130300-39730	1	CLEANER ASM., AIR			
11		130301-39931	1	ADAPTER, INTAKE		Sus. by 130301-39934	
11		130301-39932	1	ADAPTER, INTAKE		Sus. by 130301-39934	
11		130301-39933	1	ADAPTER, INTAKE	ID #1230	Sus. by 130301-39934	
11		130301-39934	1	ADAPTER, INTAKE	ID #1230		
12		900162-05050	2	BOLT, H.S. 5*50	5*50 W,SW		
13		900253-05016	1	SCREW	5*16		
14		123000-38332	1	CARBURETOR ASSY	WT-201B	Sr/Nr 35008141 and before	
14		123000-39333	1	CARBURETOR WT-416C	WT-416C	Sr/Nr 36001001 to 36008700	
14		A021-001280	1	CARBURETOR,DIAPHRAGM	WT-812	Sr/Nr 36008701 and after	

2. Air Cleaner, Muffler



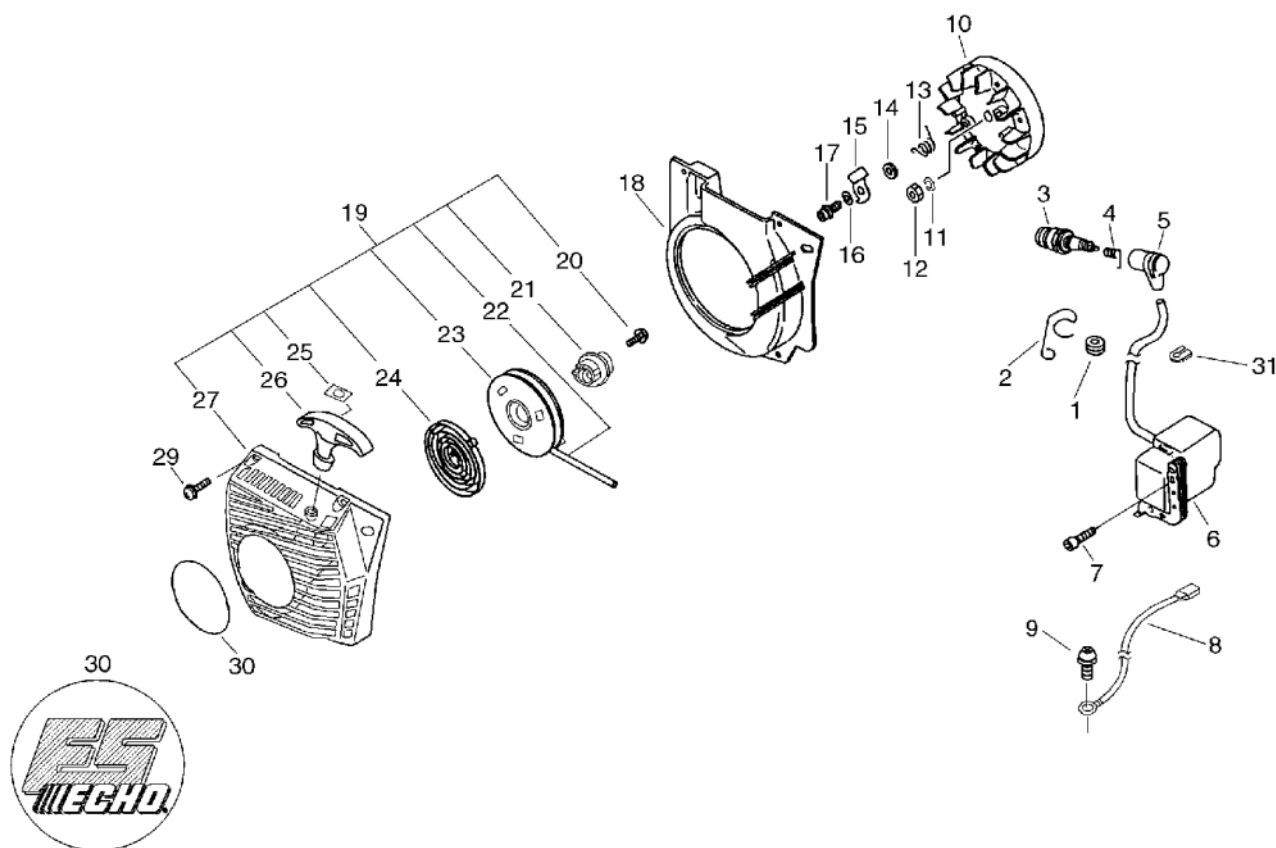
KEY	LV	PART NUMBER	Q'TY	DESCRIPTION	REMARKS	NOTE1	NOTE2
15		129023-39930	1	GROMMET, IDLE			
16		129010-33330	1	GROMMET		Sr/Nr 35008141 and before	
17		900600-00005	2	WASHER 5	5		
18		351134-39930	2	CUSHION			
19		890157-39130	1	LABEL, SWITCH			
20		163400-35430	1	SWITCH, IGNITION			
21		178510-38330	1	ROD, CHOKE		Sus. by A241- 000100	
21		178510-38331	1	ROD, CHOKE		Sus. by A241- 000100	
21		A241-000100	1	KNOB, CHOKE			
22		178810-14532	1	GROMMET		Sus. by 178810- 14534	
22		178810-14533	1	GROMMET		Sus. by 178810- 14534	
22		178810-14534	1	GROMMET			
23		178011-39930	1	ROD, THROTTLE			
24		163810-59532	1	BRACKET, SWITCH		Sus. by 163810- 59534	
24		163810-59533	1	BRACKET, SWITCH		Sus. by 163810- 59534	
24		163810-59534	1	BRACKET, SWITCH		Sr/Nr 36008700 and before	
24		A439-000144	1	BRACKET, SWITCH		Sus. by A439- 000145	

2. Air Cleaner, Muffler



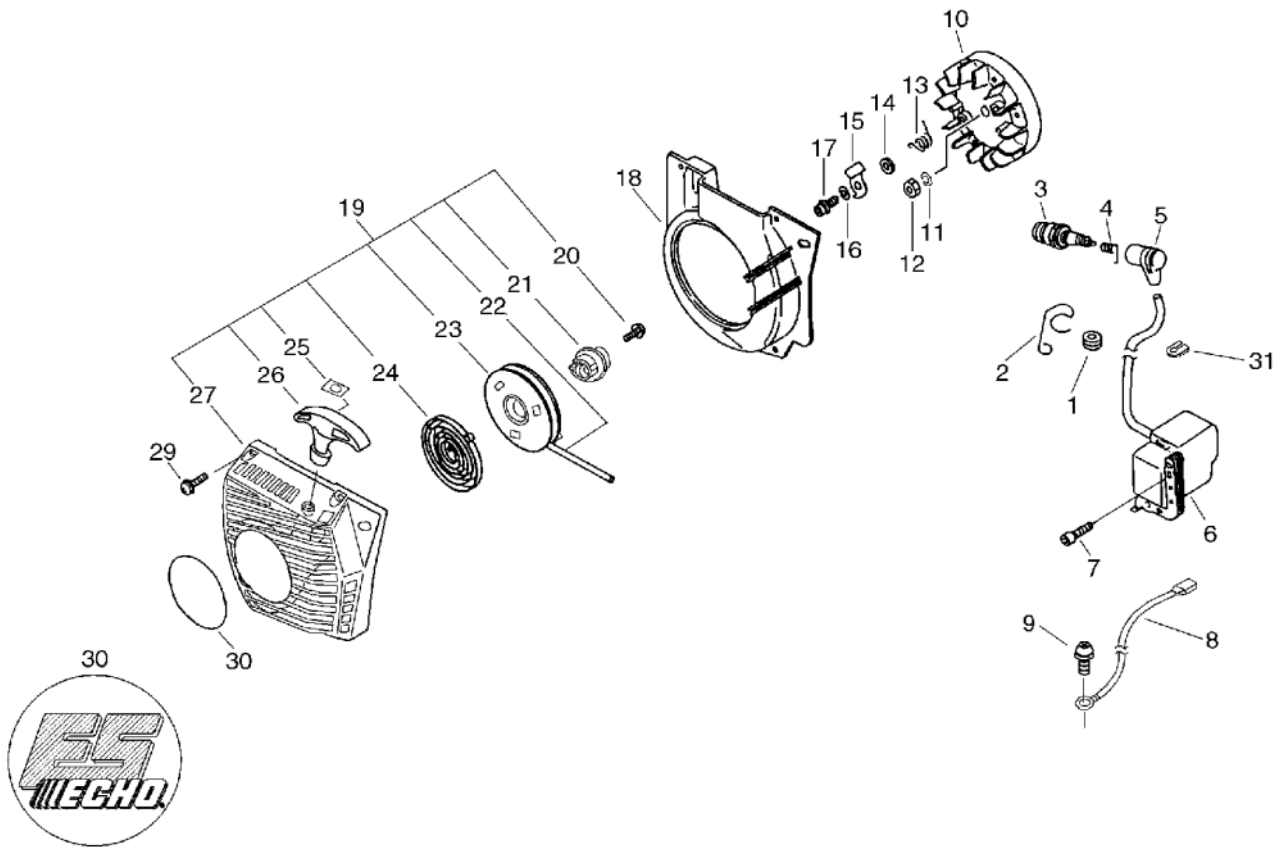
KEY	LV	PART NUMBER	Q'TY	DESCRIPTION	REMARKS	NOTE1	NOTE2
25		163413-59530	1	PLATE, CONTACT			
26		900105-04006	1	BOLT, H.S. 4*6	4*6		
27		145711-60631	1	STAY, MUFFLER			
28		900105-05014	2	BOLT, H.S. 5*14	5*14		
29		145610-39930	1	MUFFLER			
30		145510-35431	1	GASKET, MUFFLER			
31		123181-39130	1	PUMP, PRIMER		Sr/Nr 36008701 and after	
32		V471-001280	1	PIPE	2.4*5*105	Sr/Nr 36008701 and after	
33		V471-001240	1	PIPE	2.5*5*140	Sr/Nr 36008701 and after	

3. Starter, Magneto



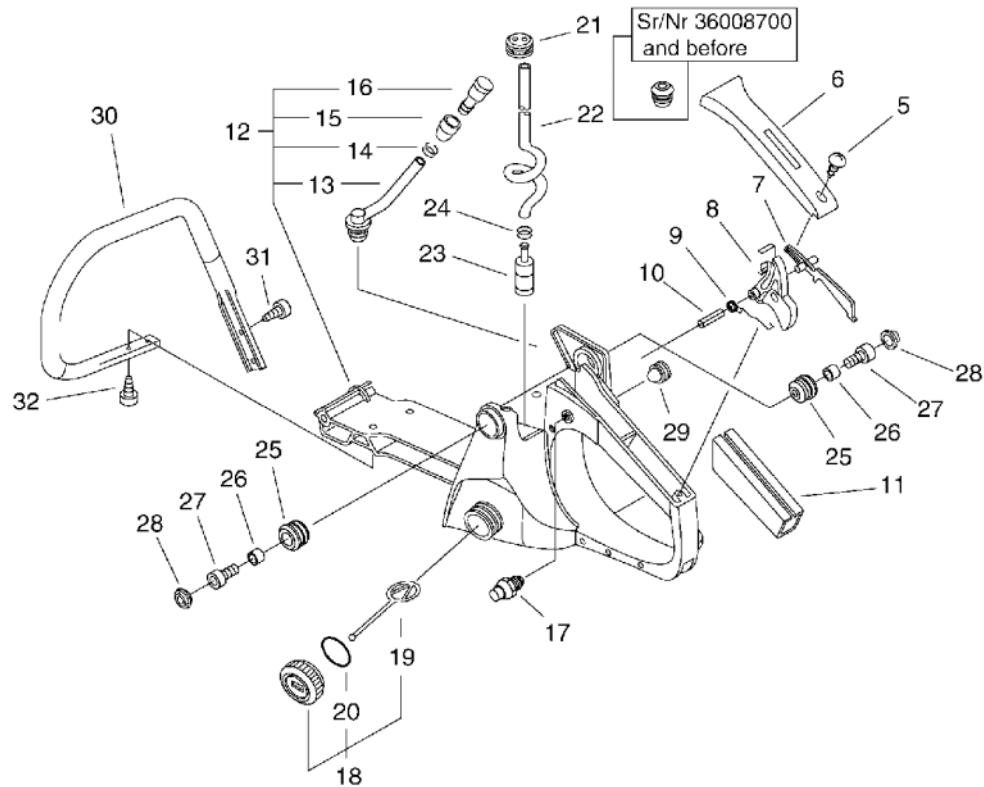
KEY	LV	PART NUMBER	Q'TY	DESCRIPTION	REMARKS	NOTE1	NOTE2
1		151112-04630	1	BUSHING			
2		159118-39930	1	GUIDE, CORD			
3		159010-10230	1	PLUG, SPARK (BPMR-7A)	BPMR-7A		
4		A426-000010	1	TERMINAL, SPARK PLUG			
5		A427-000010	1	CAP, SPARK PLUG		Sus. by A427-000012	
5		A427-000011	1	CAP, SPARK PLUG		Sus. by A427-000012	
5		A427-000012	1	CAP, SPARK PLUG			
6		156626-60630	1	COIL, IGNITION	EMG-44		
7		900162-05022	2	BOLT, H.S. 5*22	5*22 W, SW		
8		156630-39930	1	LEAD, GROUND			
9		900216-04006	1	SCREW	4*6		
10		156801-60630	1	FLYWHEEL	EGM-44		
11		900605-00008	1	WASHER, SPRING 8	8		
12		900500-00008	1	NUT 8	8*P1.25		
13		177234-35430	2	SPRING, RETURN			
14		177247-04630	2	SPACER, RATCHET	5.2*8*2.1		
15		177218-35430	2	PAWL, STARTER			
16		900603-00005	2	WASHER 5	5.5*12*0.8		
17		900105-05014	2	BOLT, H.S. 5*14	5*14	Sus. by V203-000090	
17		V203-000090	2	BOLT, 5	M5*14		
18		101535-39931	1	COVER, FAN		Sus. by 101535-39932	
18		101535-39932	1	COVER, FAN			

3. Starter, Magneto



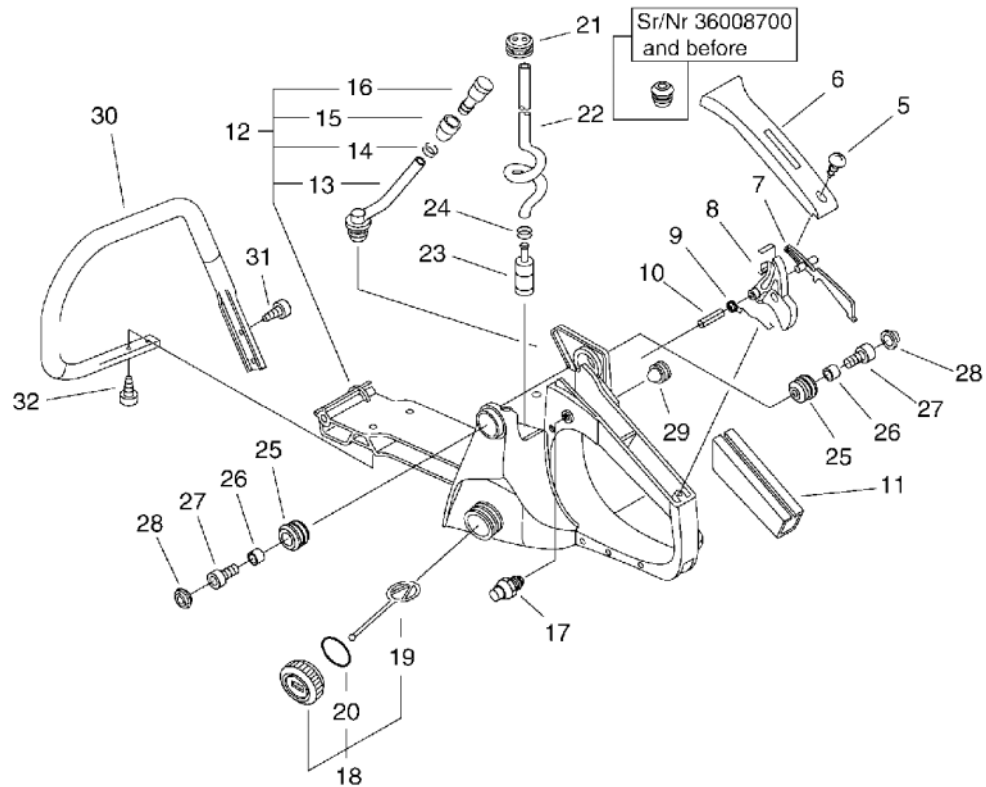
KEY	LV	PART NUMBER	Q'TY	DESCRIPTION	REMARKS	NOTE1	NOTE2
19		A051-000580	1	STARTER,RECOIL		Sus. by A051-000581	
19		A051-000581	1	STARTER,RECOIL			
20	+	P022-004630	1	SCREW			
21	+	A507-000010	1	CATCHER,PAWL			
22	+	P022-006230	1	ROPE			
23	+	P022-006240	1	REEL COMP			
24	+	P022-006250	1	SPRING, SPIRAL			
25	+	177246-11120	1	CLIP, STARTER ROPE			
26	+	P022-001320	1	GRIP, STARTER			
27	+	A500-000151	1	CASE, STARTER			
29		900238-04016	4	SCREW 4*16	4*16		
30		890118-49330	1	LABEL, ECHO		Sus. by X502-000120	
30		X502-000120	1	LABEL, ECHO	ES ECHO ₹156.5	Sus. by 890118-49330	
30		890118-49330	1	LABEL, ECHO		Sr/Nr 35001321 and after	
31		V135-000010	1	GROMMET, HT CORD			

4. Handle



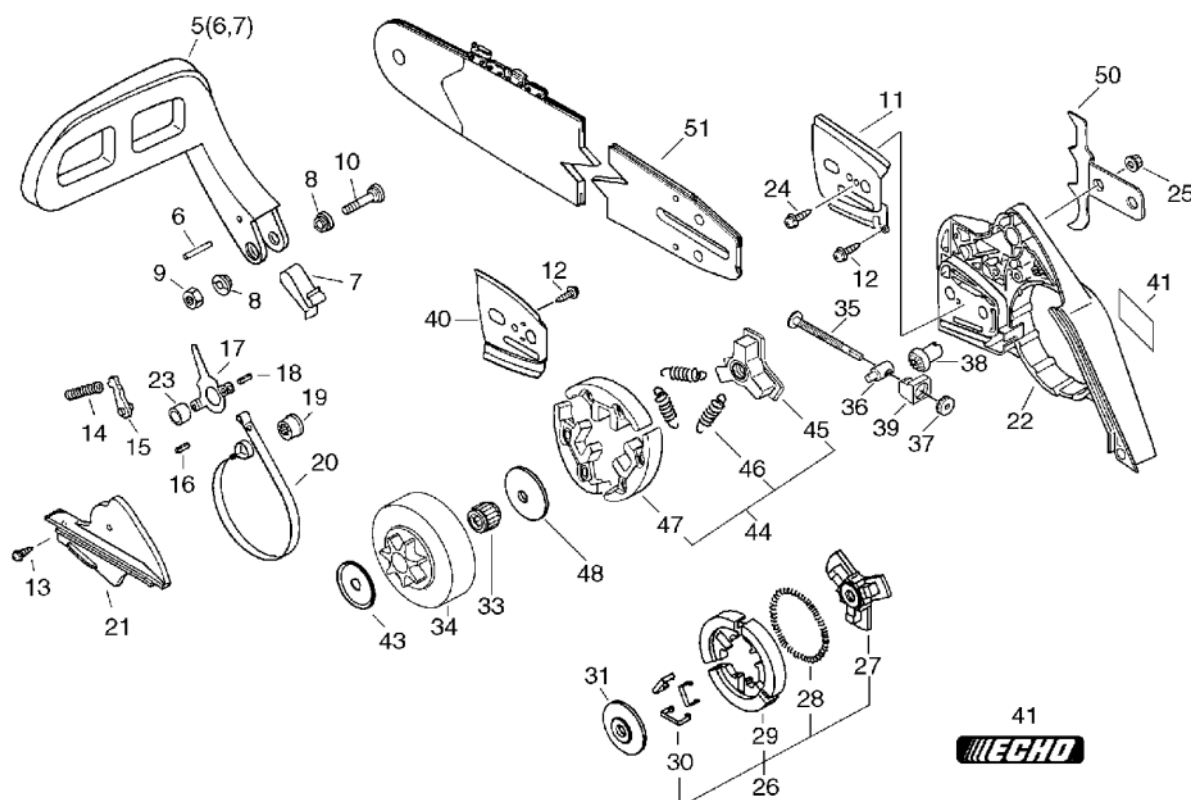
KEY	LV	PART NUMBER	Q'TY	DESCRIPTION	REMARKS	NOTE1	NOTE2
5		900253-04014	1	SCREW 4*14	4*14		
6		351155-35430	1	COVER, HANDLE (BL)			
7		178090-37930	1	LOCKOUT, T. CONTROL			
8		C450-000000	1	TRIGGER, THROTTLE			
9		178043-35430	1	SPRING, THR.RETURN			
10		900345-40030	1	PIN, SPRING 4*30SUS	4*30SUS		
11		3511111-19830	1	GRIP, HANDLE			
12		351103-39933	1	HANDLE, REAR		Sus. by 351103-39934	
12		351103-39934	1	HANDLE, REAR		Sr/Nr 36008700 and before	
12		P021-006492	1	HANDLE, REAR ASY		Sr/Nr 36008701 and after	
13	+	132012-39930	1	PIPE, W/GROMMET	L65 NBR		
14	+	132013-26630	1	CLIP	6.5MM		
15	+	131328-40630	1	COVER, VENT			
16	+	131300-56430	1	VALVE, CHECK			
17		178302-37930	1	LATCH, THROTTLE			
18		131004-37931	1	CAP ASSY, FUEL TANK			
19	+	131051-19830	1	LINK	60L		
20	+	900720-00022	1	O-RING 22	P-22		
21		132115-04920	1	GROMMET		Sr/Nr 36008700 and before	
21		132115-44330	1	GROMMET		Sr/Nr 36008701 and after	
22		132010-00760	1	PIPE, FUEL	3*5*250L		

4. Handle



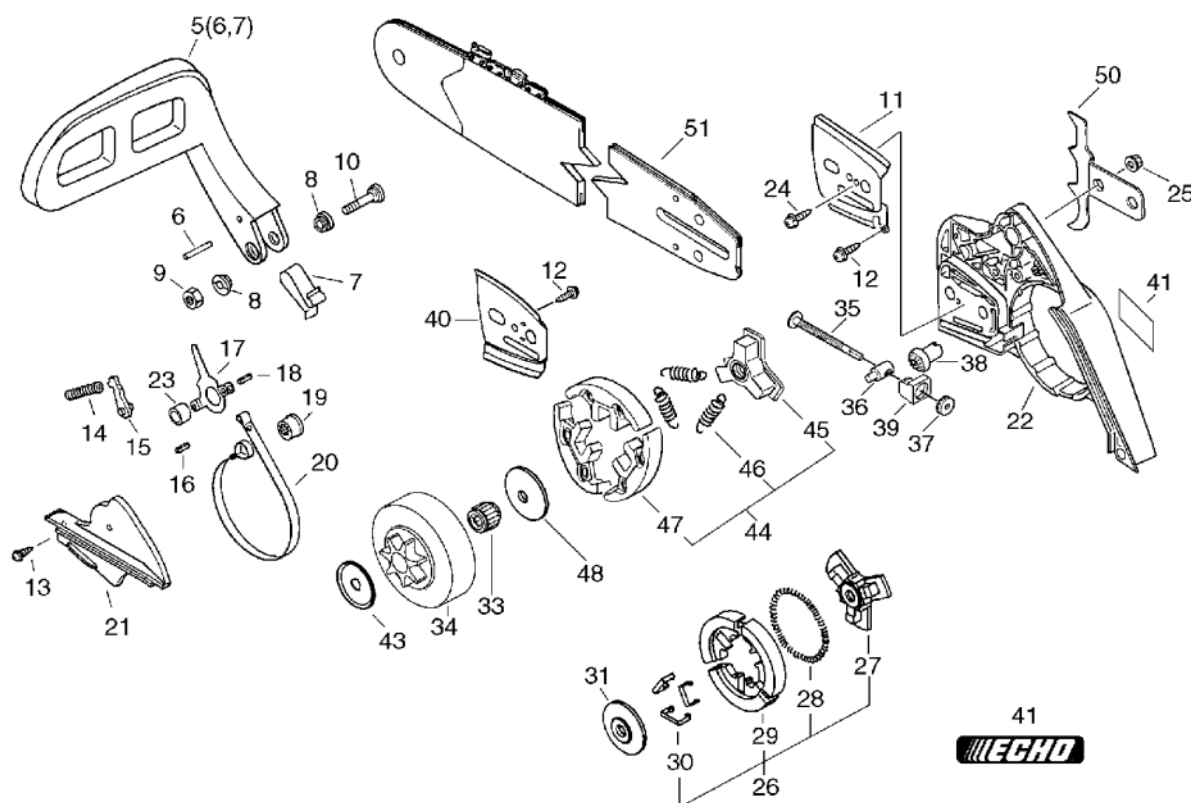
KEY	LV	PART NUMBER	Q'TY	DESCRIPTION	REMARKS	NOTE1	NOTE2
23		131205-19830	1	STRAINER, FUEL			
24		132013-09820	1	CLIP	6MM		
25		100910-19730	2	CUSHION			
26		100915-15131	2	SUPPORTER, CUSHION			
27		900105-04020	2	BOLT, H.S. 4*20	4*20		
28		100918-19830	2	CAP, CUSHION			
29		100252-39930	2	CUSHION			
30		C400-000190	1	HANDLE, FRONT			
31		91145-05020	2	BOLT HS TAPPING	5*20		
32		91145-05016	2	BOLT HS TAPPING	5*16		

5. Clutch, Sprocket



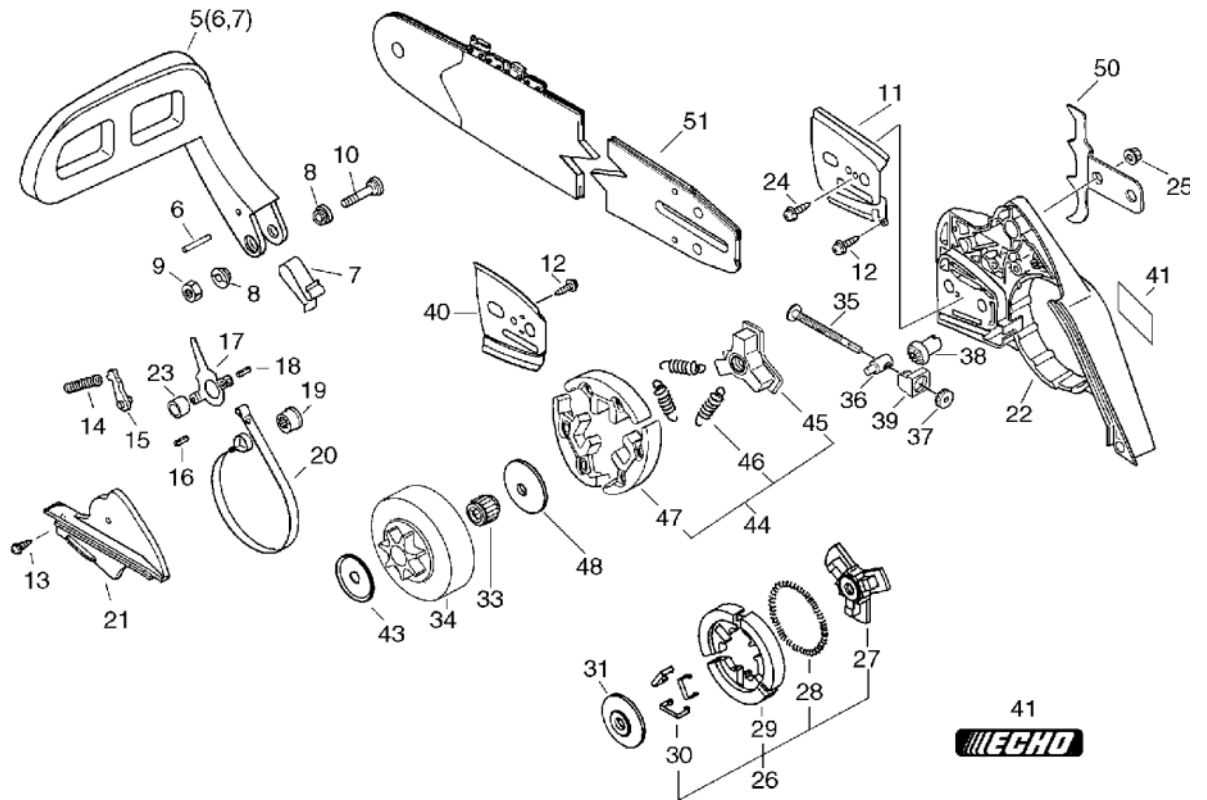
KEY	LV	PART NUMBER	Q'TY	DESCRIPTION	REMARKS	NOTE1	NOTE2
5		433105-60030	1	LEVER, BRAKE			
6	+	900330-30240	1	PIN 3*24	3*23.8		
7	+	433114-38331	1	SPRING			
8		433167-39130	2	SPACER			
9		900560-00005	1	NUT, LOCK 5	5	Sus. by 900562-50005	
9		900562-50005	1	LOCKNUT 5	5		
10		91318-05032	1	SCREW	5*32		
11		C305-000011	1	PLATE, SPROCKET GUARD			
12		900253-04008	2	SCREW 4*8	4*8		
13		900253-04010	2	SCREW 4*10	4*10		
14		433122-35430	1	SPRING, BRAKE			
15		433209-35430	1	STOPPER, BRAKE			
16		900342-25012	1	PIN, SPRING 2.5*12	2.5*12		
17		433208-35431	1	LEVER, BRAKE			
18		900330-40088	1	ROLLER 4*8.8	4*8.8		
19		433142-35430	1	ADJUSTER, BRAKE			
20		433123-35430	1	BAND, BRAKE		Sus. by C328-000060	
20		C328-000060	1	BAND, BRAKE			
21		433310-38330	1	COVER, BRAKE			
22		433005-39935	1	GUARD, SPROCKET		Sus. by 433005-60935	
22		433005-60935	1	GUARD, SPROCKET		Sr/Nr 36008550 and before	

5. Clutch, Sprocket



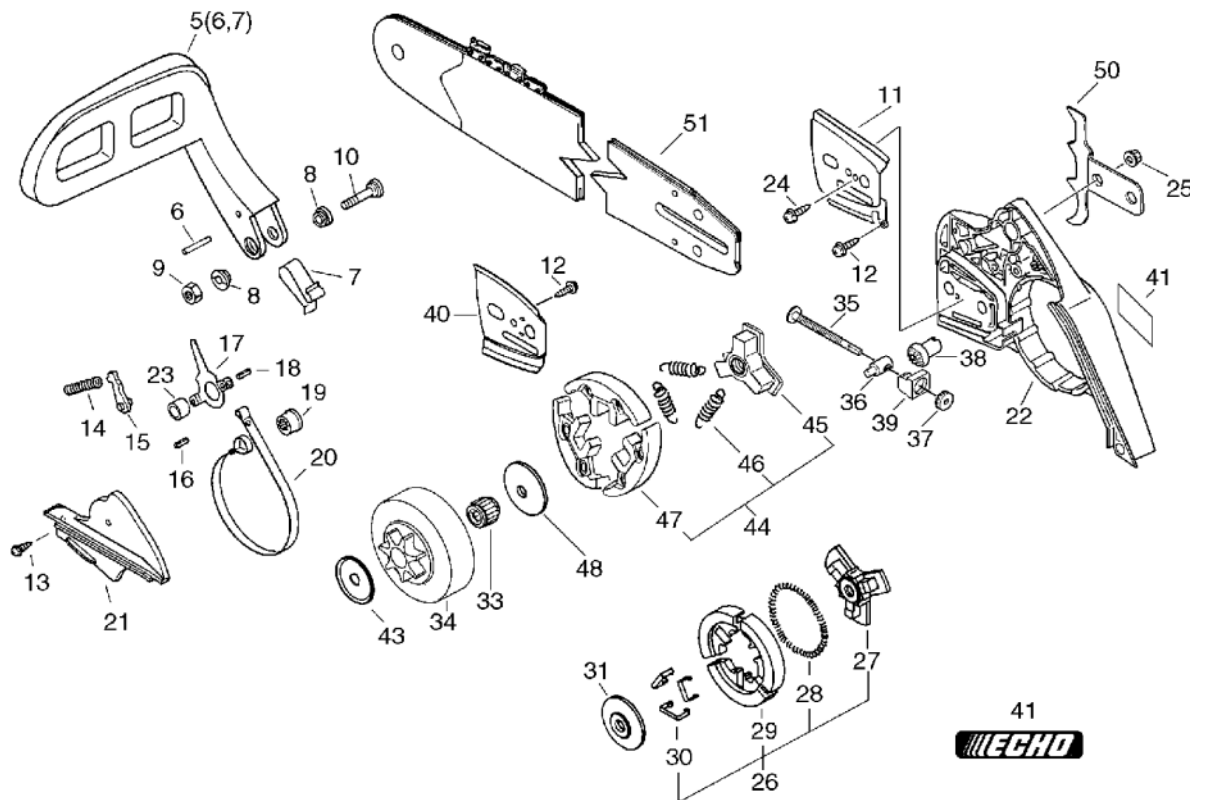
KEY	LV	PART NUMBER	Q'TY	DESCRIPTION	REMARKS	NOTE1	NOTE2
22		P021-010280	1	GUARD, SPROCKET KIT		Sr/Nr 36008551 and after	
22	+	P021-010170	1	GUARD, SPROCKET KIT		Can be used on the P021-010280 only	
22	++	V203-000110	1	BOLT,5		Sr/Nr 36008551 and after	
22	+	C304-000020	1	SPIKED		Can be used on the P021-010280 only	
23		433115-38330	1	WASHER 5.2*12*14	5.2*12*14		
24		900220-03006	1	SCREW 3*6	3*6		
25		433019-12330	2	NUT, FLANGE 8	M-8		
26		175000-59530	1	CLUTCH ASY		Sus. by 175000-59531	
26		175000-59531	1	CLUTCH ASY		Sr/Nr 35007041 and before	
27	+	175016-59530	1	HUB, CLUTCH		Sr/Nr 35007041 and before	
28	+	175018-59530	1	SPRING, CLUTCH		Sr/Nr 35007041 and before	
29	+	175002-59530	1	SHOE, CLUTCH		Sus. by 175002-59531	
29	+	175002-59531	1	SHOE, CLUTCH		Sr/Nr 35007041 and before	

5. Clutch, Sprocket



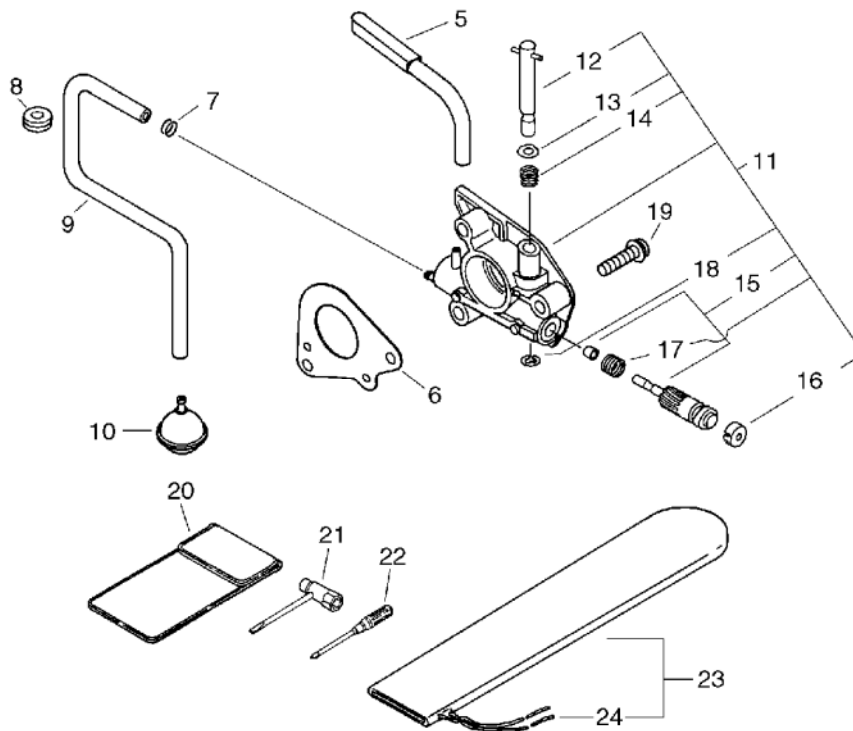
KEY	LV	PART NUMBER	Q'TY	DESCRIPTION	REMARKS	NOTE1	NOTE2
30	+	175022-59530	3	SPRING,FLAT		Sr/Nr 35007041 and before	
31		175019-59530	1	PLATE, CLUTCH		Sr/Nr 35007041 and before	
32		P021-006060	1	DRUM,CLUTCH SET			
33		175012-14630	1	BEARING, NEEDLE		Sr/Nr 35002531 and before	
33	+	175012-00831	1	BEARING, NEEDLE		Sr/Nr 35002532 and after	
34		A556-000170	1	DRUM,CLUTCH	325-7	Sus. by P021-006060	
34	+	A556-000171	1	DRUM,CLUTCH		Sr/Nr 35002532 and after	
35		V203-000041	1	BOLT,5		Sr/Nr 36008550 and before	
36		C309-000030	1	TENSIONER,CHAIN			
37		V651-000011	1	GEAR,BEVEL			
38		V651-000001	1	GEAR,BEVEL			
39		V355-000270	1	COLLAR,8			
40		433012-39930	1	PLATE, GUIDE			
40		X502-000020	1	LABEL,ECHO		Sr/Nr 35001321 and after	
43		175019-38330	1	PLATE, CLUTCH			
44		A056-000120	1	CLUTCH		Sr/Nr 35007042 and after	

5. Clutch, Sprocket



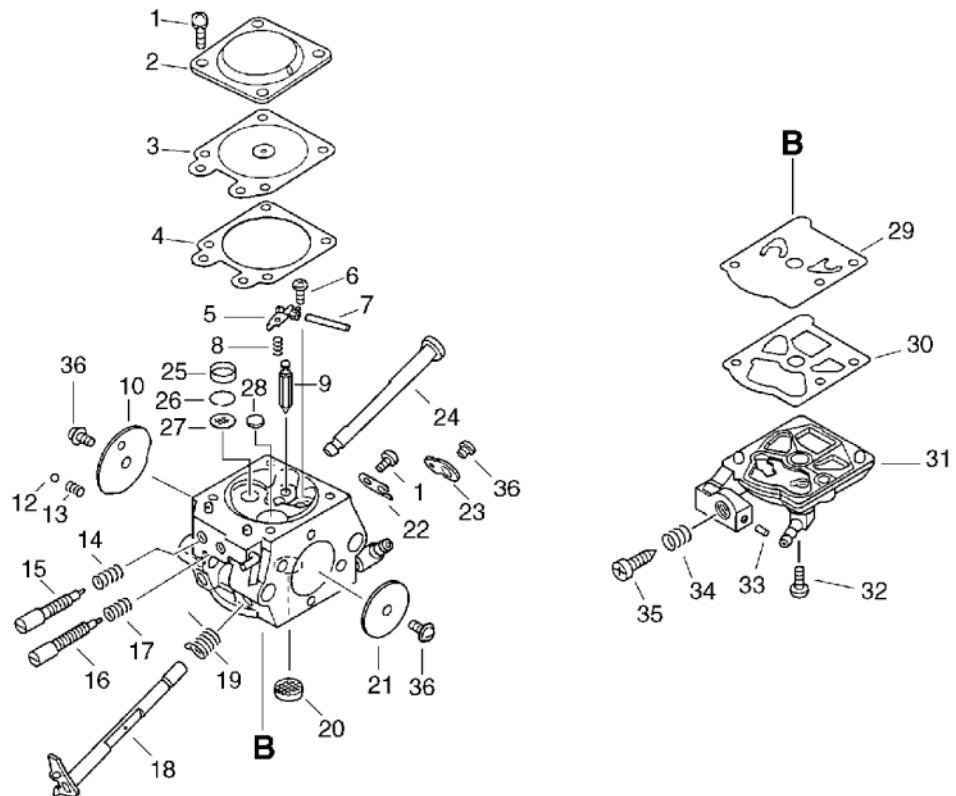
KEY	LV	PART NUMBER	Q'TY	DESCRIPTION	REMARKS	NOTE1	NOTE2
45	+	A552-000060	1	HUB,CLUTCH		Sr/Nr 35007042 and after	
46	+	V451-000500	3	SPRING,TENSION		Sr/Nr 35007042 and after	
47	+	P021-007050	1	CLUTCH SHOE SET		Sr/Nr 35007042 and after	
48		175019-39430	1	PLATE, CLUTCH		Sr/Nr 35007042 and after	
50		880210-36031	1	BUMPER, SPIKED			
51		430521-37331	1	BAR,GUIDE 38RD58-325	38RD58-325	Sus. by 430521- 37332	
51		430521-37332	1	BAR, GUIDE 38RD58325	38RD58-325	OPTION	

6. Auto-Oiler, Tools



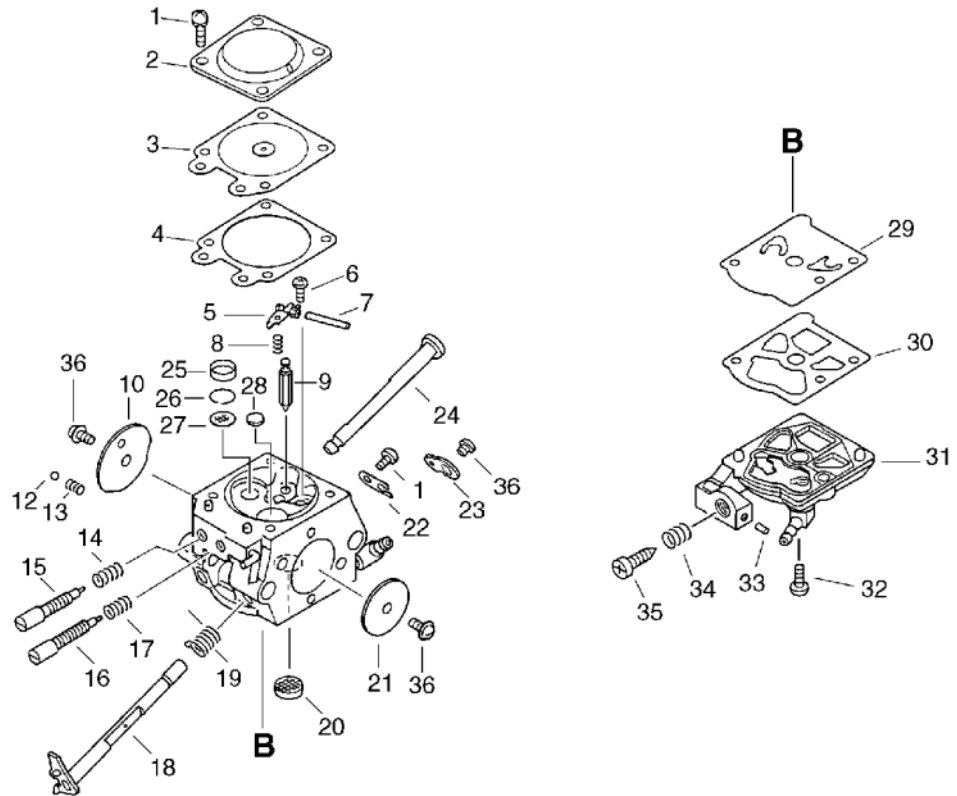
KEY	LV	PART NUMBER	Q'TY	DESCRIPTION	REMARKS	NOTE1	NOTE2
5		437210-39931	1	PIPE			
6		175310-38330	1	PLATE, SEAL			
7		132013-26630	1	CLIP	6.5MM		
8		132115-12330	1	GROMMET			
9		437210-35430	1	PIPE			
10		436205-14730	1	STRAINER, OIL			
11		437002-38330	1	AUTO-OILER ASSY			
12	+	437016-38330	1	NEEDLE, ADJUST			
13	+	437029-37330	1	WASHER			
14	+	437015-37330	1	SPRING			
15	+	437024-37330	1	PLUNGER			
16	+	437062-38330	1	CAP, OIL PUMP			
17	+	437019-38330	1	SPRING			
18	+	123127-15030	1	RING			
19		900223-04016	2	SCREW	4*16		
20		898510-39130	1	BAG, TOOL			
21		895410-02830	1	WRENCH, W/S. DRIVER			
22		895812-03930	1	DRIVER, SCREW 50			
23		898567-38330	1	SCABBARD, GUIDE BAR			
24	+	898568-14530	1	ROPE	5*900		

7. Carburetor(Sr/Nr 35008141 and before)



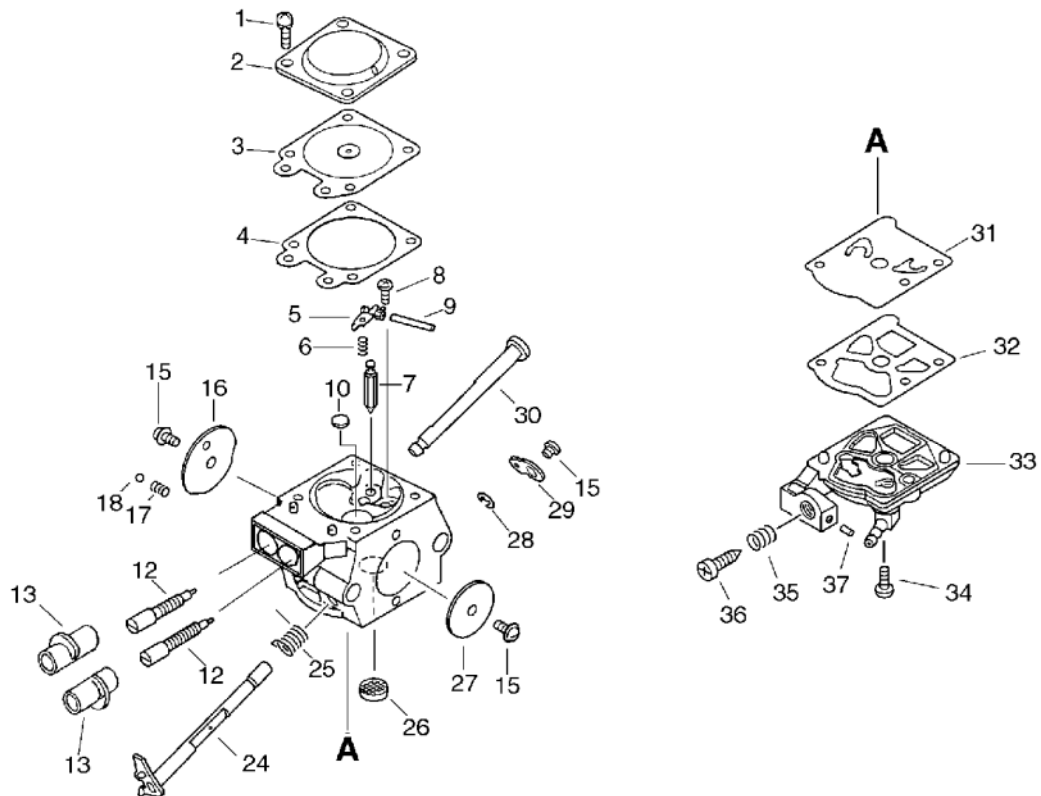
KEY	LV	PART NUMBER	Q'TY	DESCRIPTION	REMARKS	NOTE1	NOTE2
		123000-38332	1	CARBURETOR ASSY	WT-201B		
1	+	123130-02960	5	SCREW			
2	+	123142-03930	1	COVER, M. DIAPHRAGM			
3	+	123141-03930	1	DIAPHRAGM, METERING			
4	+	123140-03930	1	GASKET, M. DIAPHRAGM			
5	+	123123-38330	1	LEVER, METERING			
6	+	123139-03930	1	SCREW, M. LEVER PIN			
7	+	123138-03930	1	PIN, METERING LEVER			
8	+	123122-11130	1	SPRING, METER. LEVER			
9	+	123137-19830	1	VALVE, INLET NEEDLE			
10	+	123132-37330	1	VALVE, CHOKE			
12	+	123136-10630	1	BALL, CHOKE FRICTION			
13	+	123135-10630	1	SPRING, CHOKE FRICT.			
14	+	123119-22130	1	SPRING, NEEDLE			
15	+	123120-38330	1	NEEDLE, HIGH SPEED			
16	+	123118-38330	1	NEEDLE, IDLE			
17	+	123121-22130	1	SPRING, NEEDLE			
18	+	123117-38330	1	SHAFT, THROTTLE			
19	+	123113-37530	1	SPRING, THROTTLE RTN			
20	+	123126-10631	1	SCREEN, INLET			
21	+	123116-10530	1	VALVE, THROTTLE			
22	+	123127-03930	1	CLIP, THROTTLE SHAFT			
23	+	123150-38330	1	LEVER, THROTTLE			
24	+	123131-35430	1	SHAFT, CHOKE			
25	+	123146-17330	1	PLUG, CUP			
26	+	123169-10630	1	RING, RETAINING			

7. Carburetor(Sr/Nr 35008141 and before)



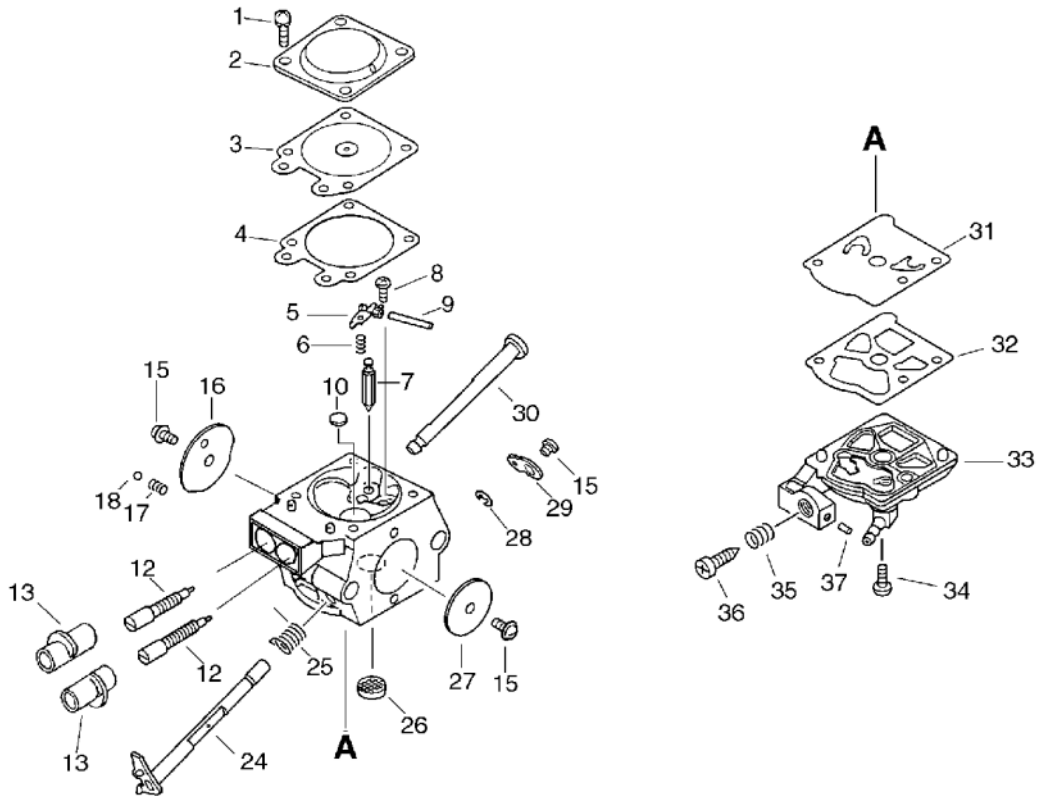
KEY	LV	PART NUMBER	Q'TY	DESCRIPTION	REMARKS	NOTE1	NOTE2
27	+	123168-10631	1	SCREEN			
28	+	123146-10631	1	PLUG, WELCH			
29	+	123112-15030	1	DIAPHRAGM, FUEL PUMP			
30	+	123125-15030	1	GASKET, FUEL PUMP			
31	+	123124-38330	1	COVER, FUEL PUMP			
32	+	123110-03930	1	SCREW, PUMP COVER			
33	+	123178-15030	1	PLUG, FRICTION			
34	+	123133-04260	1	SPRING, IDLE ADJUST			
35	+	123134-04260	1	SCREW, IDLE ADJUST			
36	+	123114-38830	3	SCREW			

8. Carburetor(Sr/Nr 36001001 to 36008700)



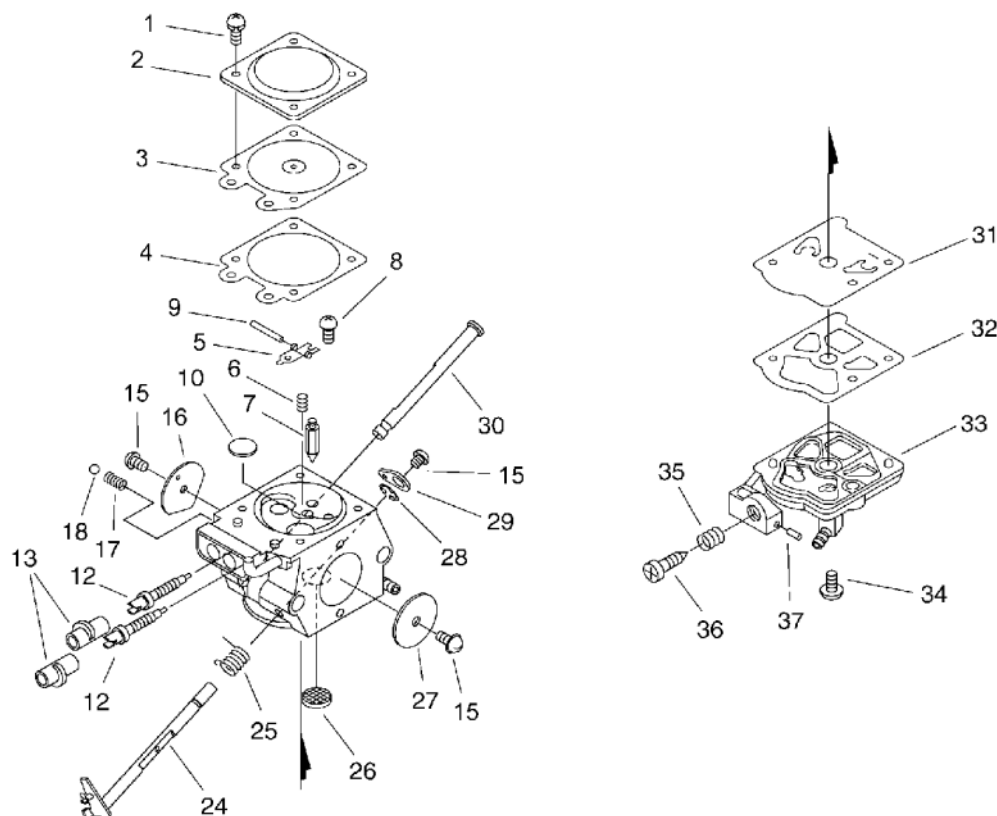
KEY	LV	PART NUMBER	Q'TY	DESCRIPTION	REMARKS	NOTE1	NOTE2
		123000-39333	1	CARBURETOR WT-416C	WT-416C		
1	+	123130-02960	4	SCREW			
2	+	123142-03930	1	COVER, M. DIAPHRAGM			
3	+	123141-03930	1	DIAPHRAGM, METERING			
4	+	123140-03930	1	GASKET, M. DIAPHRAGM			
5	+	123123-03930	1	LEVER, METERING			
6	+	123122-39330	1	SPRING, METER. LEVER			
7	+	123137-19830	1	VALVE, INLET NEEDLE			
8	+	123139-03930	1	SCREW, M. LEVER PIN			
9	+	123138-03930	1	PIN, METERING LEVER			
10	+	123146-10631	1	PLUG, WELCH			
12	+	123120-03661	2	NEEDLE			
13	+	P003-000010	2	LIMITER CAP			
15	+	123114-38830	3	SCREW			
16	+	123132-37330	1	VALVE, CHOKE			
17	+	123135-10630	1	SPRING, CHOKE FRICT.			
18	+	123136-10630	1	BALL, CHOKE FRICTION			
24	+	123117-39330	1	SHAFT, THROTTLE			
25	+	123113-37530	1	SPRING, THROTTLE RTN			
26	+	123126-10631	1	SCREEN, INLET			
27	+	123116-10530	1	VALVE, THROTTLE			
28	+	123127-15030	1	RING			
29	+	123150-38330	1	LEVER, THROTTLE			
30	+	123131-35430	1	SHAFT, CHOKE			
31	+	123112-15030	1	DIAPHRAGM, FUEL PUMP			
32	+	123125-15030	1	GASKET, FUEL PUMP			

8. Carburetor(Sr/Nr 36001001 to 36008700)



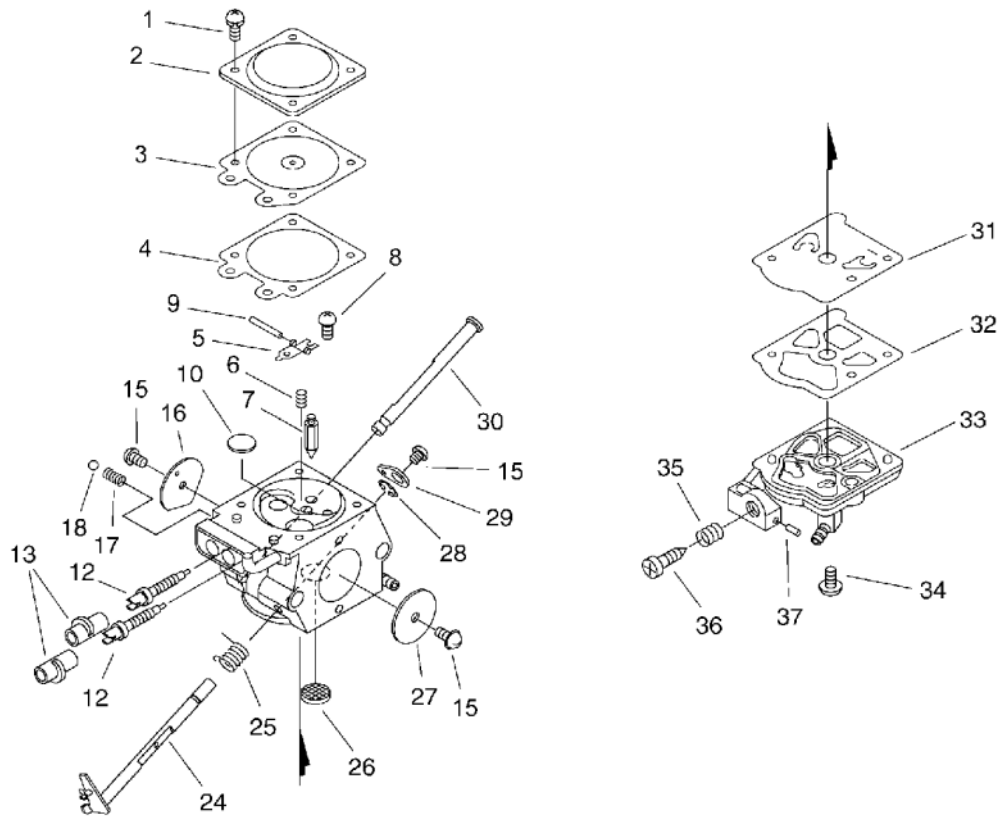
KEY	LV	PART NUMBER	Q'TY	DESCRIPTION	REMARKS	NOTE1	NOTE2
33	+	123124-38330	1	COVER, FUEL PUMP			
34	+	123110-03930	1	SCREW, PUMP COVER			
35	+	123133-04260	1	SPRING, IDLE ADJUST			
36	+	123134-04260	1	SCREW, IDLE ADJUST			
37	+	123178-15030	1	PLUG, FRICTION			

9. Carburetor(Sr/Nr 36008701 and after)



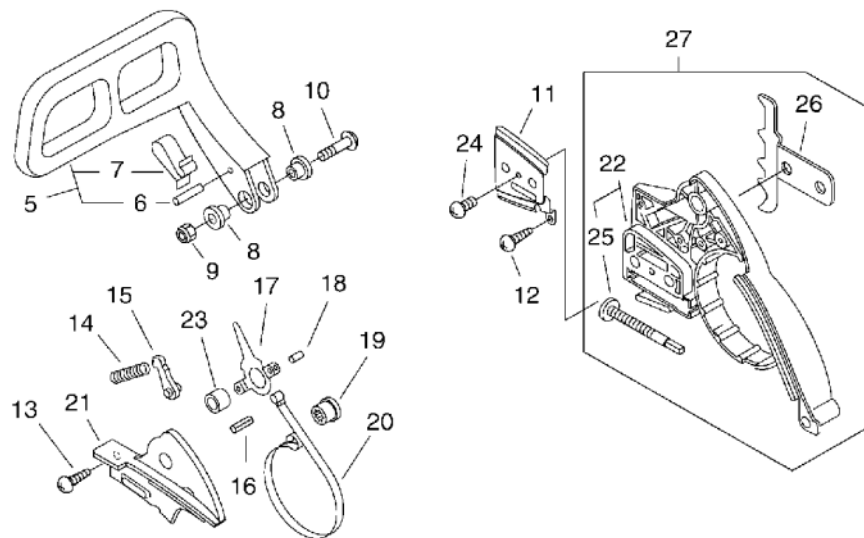
KEY	LV	PART NUMBER	Q'TY	DESCRIPTION	REMARKS	NOTE1	NOTE2
		A021-001280	1	CARBURETOR,DIAPHRAGM	WT-812		
1	+	123130-02960	4	SCREW			
2	+	123142-03930	1	COVER, M. DIAPHRAGM			
3	+	123141-03930	1	DIAPHRAGM, METERING			
4	+	123140-03930	1	GASKET, M. DIAPHRAGM			
5	+	123123-03930	1	LEVER, METERING			
6	+	123122-39330	1	SPRING, METER. LEVER			
7	+	123137-19830	1	VALVE, INLET NEEDLE			
8	+	123139-03930	1	SCREW, M. LEVER PIN			
9	+	123138-03930	1	PIN, METERING LEVER			
10	+	123146-10631	1	PLUG, WELCH			
12	+	123120-03661	2	NEEDLE			
13	+	P003-000010	2	LIMITER CAP			
15	+	123114-38830	3	SCREW			
16	+	123132-37330	1	VALVE, CHOKE			
17	+	123135-10630	1	SPRING, CHOKE FRICT.			
18	+	123136-10630	1	BALL, CHOKE FRICTION			
24	+	123117-39330	1	SHAFT, THROTTLE			
25	+	123113-37530	1	SPRING, THROTTLE RTN			
26	+	123126-10631	1	SCREEN, INLET			
27	+	123116-10530	1	VALVE, THROTTLE			
28	+	123127-15030	1	RING			
29	+	123150-38330	1	LEVER, THROTTLE			
30	+	123131-35430	1	SHAFT, CHOKE			
31	+	123112-15030	1	DIAPHRAGM, FUEL PUMP			
32	+	123125-15030	1	GASKET, FUEL PUMP			

9. Carburetor(Sr/Nr 36008701 and after)



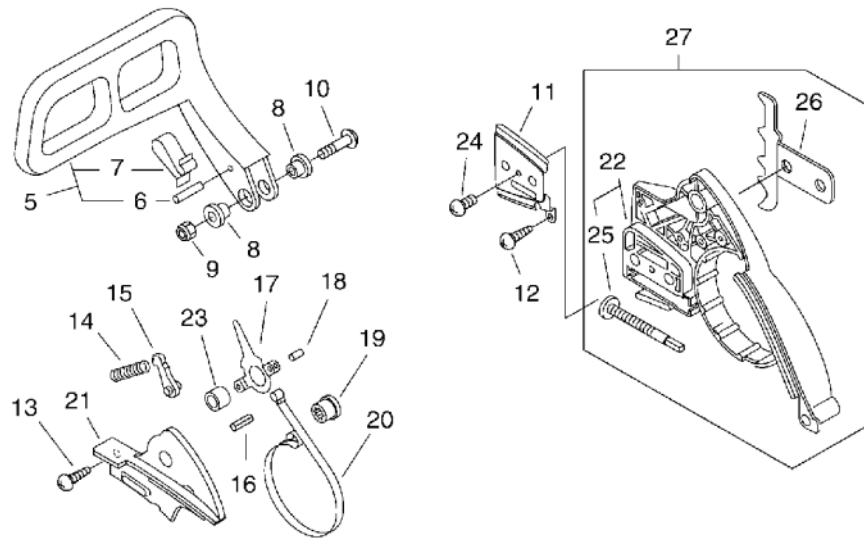
KEY	LV	PART NUMBER	Q'TY	DESCRIPTION	REMARKS	NOTE1	NOTE2
33	+	123124-38330	1	COVER, FUEL PUMP			
34	+	123110-03930	1	SCREW, PUMP COVER			
35	+	123133-04260	1	SPRING, IDLE ADJUST			
36	+	123134-04260	1	SCREW, IDLE ADJUST			
37	+	123178-15030	1	PLUG, FRICTION			

10. Carburetor(Sr/Nr 36008701 and after)



KEY	LV	PART NUMBER	Q'TY	DESCRIPTION	REMARKS	NOTE1	NOTE2
		C032-000005	1	BRAKE,ASM CHAIN		Sus. by C032-000300	
		C032-000015	1	BRAKE,ASM CHAIN		Sus. by C032-000300	
		C032-000016	1	BRAKE,ASM CHAIN		Sus. by C032-000300	
		C032-000017	1	BRAKE,ASM CHAIN		Sus. by C032-000300	
		P021-010300	1	BRAKE,ASM CHAIN			
5	+	433105-60030	1	LEVER, BRAKE			
6	++	900330-30240	1	PIN 3*24	3*23.8		
7	++	433114-38331	1	SPRING			
8	+	433167-39130	2	SPACER			
9	+	900560-00005	1	NUT, LOCK 5	5	Sus. by 900562-50005	
9	+	900562-50005	1	LOCKNUT 5	5		
10	+	91318-05032	1	SCREW	5*32		
11	+	C305-000011	1	PLATE, SPROCKET GUARD			
12	+	900253-04008	1	SCREW 4*8	4*8		
13	+	900253-04010	2	SCREW 4*10	4*10		
14	+	433122-35430	1	SPRING, BRAKE			
15	+	433209-35430	1	STOPPER, BRAKE			
16	+	900342-25012	1	PIN, SPRING 2.5*12	2.5*12		
17	+	433208-35431	1	LEVER, BRAKE			
18	+	900330-40088	1	ROLLER 4*8.8	4*8.8		
19	+	433142-35430	1	ADJUSTER, BRAKE			

10. Carburetor(Sr/Nr 36008701 and after)



KEY	LV	PART NUMBER	Q'TY	DESCRIPTION	REMARKS	NOTE1	NOTE2
20	+	433123-35430	1	BAND, BRAKE		Sus. by C328-000060	
20	+	C328-000060	1	BAND, BRAKE			
21	+	433310-38330	1	COVER, BRAKE			
22	+	433005-39935	1	GUARD, SPROCKET		Sus. by 433005-60935	
22	+	433005-60935	1	GUARD, SPROCKET			
27	+	P021-010280	1	GUARD, SPROCKET KIT			
22	++	P021-010170	1	GUARD, SPROCKET KIT		Can be used on the P021-010280 only	
25	+++	V203-000110	1	BOLT,5		Can be used on the P021-010280 only	
26	++	C304-000020	1	SPIKED		Can be used on the P021-010280 only	
23	+	433115-38330	1	WASHER 5.2*12*14	5.2*12*14		
24	+	900220-03006	1	SCREW 3*6	3*6		

Index

Patrs Number	Key No.	Patrs Number	Key No.	Patrs Number	Key No.
100000-60631	1 - 8	123122-11130	7 - 8	123140-03930	7 - 4
100011-13330	1 - 9	123122-39330	8 - 6	123140-03930	8 - 4
100012-35430	1 - 12	123122-39330	9 - 6	123140-03930	9 - 4
100013-35430	1 - 10	123123-03930	8 - 5	123141-03930	7 - 3
100015-03931	1 - 11	123123-03930	9 - 5	123141-03930	8 - 3
100101-39930	1 - 14	123123-38330	7 - 5	123141-03930	9 - 3
100142-39130	1 - 13	123124-38330	7 - 31	123142-03930	7 - 2
100213-38330	1 - 16	123124-38330	8 - 33	123142-03930	8 - 2
100252-39930	4 - 29	123124-38330	9 - 33	123142-03930	9 - 2
100910-19730	4 - 25	123125-15030	7 - 30	123146-10631	7 - 28
100910-60030	1 - 29	123125-15030	8 - 32	123146-10631	8 - 10
100915-15131	4 - 26	123125-15030	9 - 32	123146-10631	9 - 10
100915-33930	1 - 28	123126-10631	7 - 20	123146-17330	7 - 25
100918-19830	1 - 27	123126-10631	8 - 26	123150-38330	7 - 23
100918-19830	4 - 28	123126-10631	9 - 26	123150-38330	8 - 29
101520-35430	1 - 31	123127-03930	7 - 22	123150-38330	9 - 29
101520-35430	1 - 43	123127-15030	6 - 18	123168-10631	7 - 27
101535-39931	3 - 18	123127-15030	8 - 28	123169-10630	7 - 26
101535-39932	3 - 18	123127-15030	9 - 28	123178-15030	7 - 33
104008-60630	1 - 30	123130-02960	7 - 1	123178-15030	8 - 37
104008-60631	1 - 30	123130-02960	8 - 1	123178-15030	9 - 37
123000-38332	2 - 14	123130-02960	9 - 1	123181-39130	2 - 31
123000-38332	7 -	123131-35430	7 - 24	129010-33330	2 - 16
123000-39333	2 - 14	123131-35430	8 - 30	129023-39930	2 - 15
123000-39333	8 -	123131-35430	9 - 30	130007-39930	2 - 5
123110-03930	7 - 32	123132-37330	7 - 10	130007-39931	2 - 5
123110-03930	8 - 34	123132-37330	8 - 16	130010-38330	2 - 7
123110-03930	9 - 34	123132-37330	9 - 16	130016-39930	1 - 4
123112-15030	7 - 29	123133-04260	7 - 34	130020-33330	2 - 6
123112-15030	8 - 31	123133-04260	8 - 35	130020-60630	1 - 34
123112-15030	9 - 31	123133-04260	9 - 35	130110-54430	2 - 8
123113-37530	7 - 19	123134-04260	7 - 35	130300-39730	2 - 10
123113-37530	8 - 25	123134-04260	8 - 36	130301-39931	2 - 11
123113-37530	9 - 25	123134-04260	9 - 36	130301-39932	2 - 11
123114-38830	7 - 36	123135-10630	7 - 13	130301-39933	2 - 11
123114-38830	8 - 15	123135-10630	8 - 17	130301-39934	2 - 11
123114-38830	9 - 15	123135-10630	9 - 17	130338-32430	1 - 23
123116-10530	7 - 21	123136-10630	7 - 12	130366-39930	2 - 4
123116-10530	8 - 27	123136-10630	8 - 18	130405-38331	2 - 9
123116-10530	9 - 27	123136-10630	9 - 18	130510-39932	1 - 3
123117-38330	7 - 18	123137-19830	7 - 9	131004-37931	4 - 18
123117-39330	8 - 24	123137-19830	8 - 7	131051-19830	1 - 38
123117-39330	9 - 24	123137-19830	9 - 7	131051-19830	4 - 19
123118-38330	7 - 16	123138-03930	7 - 7	131205-19830	4 - 23
123119-22130	7 - 14	123138-03930	8 - 9	131300-56430	4 - 16
123120-03661	8 - 12	123138-03930	9 - 9	131328-40630	4 - 15
123120-03661	9 - 12	123139-03930	7 - 6	132010-00760	4 - 22
123120-38330	7 - 15	123139-03930	8 - 8	132012-39930	4 - 13
123121-22130	7 - 17	123139-03930	9 - 8	132013-09820	4 - 24

Index

Patrs Number	Key No.	Patrs Number	Key No.	Patrs Number	Key No.
132013-26630	4 - 14	351134-39930	2 - 18	880210-36031	5 - 50
132013-26630	6 - 7	351155-35430	4 - 6	890118-49330	3 - 30
132115-04920	4 - 21	430521-37331	5 - 51	890118-49330	3 - 30
132115-12330	6 - 8	430521-37332	5 - 51	890157-39130	2 - 19
132115-44330	4 - 21	433000-60930	1 - 25	890345-39230	1 - 40
145510-35431	2 - 30	433005-39935	10 - 22	890631-38130	1 - 42
145610-39930	2 - 29	433005-39935	5 - 22	895410-02830	6 - 21
145711-60631	2 - 27	433005-60935	10 - 22	895812-03930	6 - 22
151112-04630	3 - 1	433005-60935	5 - 22	898510-39130	6 - 20
156626-60630	3 - 6	433011-19830	1 - 36	898567-38330	6 - 23
156630-39930	3 - 8	433012-39930	5 - 40	898568-14530	6 - 24
156801-60630	3 - 10	433019-12330	5 - 25	900105-04006	2 - 26
159010-10230	3 - 3	433105-60030	10 - 5	900105-04020	4 - 27
159118-39930	3 - 2	433105-60030	5 - 5	900105-05014	2 - 28
162011-60630	1 - 35	433114-38331	10 - 7	900105-05014	3 - 17
163400-35430	2 - 20	433114-38331	5 - 7	900162-05022	1 - 6
163413-59530	2 - 25	433115-38330	10 - 23	900162-05022	3 - 7
163810-59532	2 - 24	433115-38330	5 - 23	900162-05030	1 - 7
163810-59533	2 - 24	433122-35430	10 - 14	900162-05050	2 - 12
163810-59534	2 - 24	433122-35430	5 - 14	900216-04006	3 - 9
175000-59530	5 - 26	433123-35430	10 - 20	900220-03006	10 - 24
175000-59531	5 - 26	433123-35430	5 - 20	900220-03006	5 - 24
175002-59530	5 - 29	433142-35430	10 - 19	900223-04016	6 - 19
175002-59531	5 - 29	433142-35430	5 - 19	900238-04016	3 - 29
175012-00831	5 - 33	433167-39130	10 - 8	900238-05012	1 - 2
175012-14630	5 - 33	433167-39130	5 - 8	900238-05025	1 - 22
175016-59530	5 - 27	433208-35431	10 - 17	900253-04008	10 - 12
175018-59530	5 - 28	433208-35431	5 - 17	900253-04008	1 - 45
175019-38330	5 - 43	433209-35430	10 - 15	900253-04008	5 - 12
175019-39430	5 - 48	433209-35430	5 - 15	900253-04010	10 - 13
175019-59530	5 - 31	433310-38330	10 - 21	900253-04010	5 - 13
175022-59530	5 - 30	433310-38330	5 - 21	900253-04014	4 - 5
175310-38330	6 - 6	436001-39232	1 - 37	900253-05016	2 - 13
177218-35430	3 - 15	436001-65630	1 - 37	900253-05020	1 - 26
177234-35430	3 - 13	436001-65631	1 - 37	900330-30240	10 - 6
177246-11120	3 - 25	436114-13930	1 - 32	900330-30240	5 - 6
177247-04630	3 - 14	436205-14730	6 - 10	900330-40088	10 - 18
178011-39930	2 - 23	437002-38330	6 - 11	900330-40088	5 - 18
178043-35430	4 - 9	437015-37330	6 - 14	900342-25012	10 - 16
178090-37930	4 - 7	437016-38330	6 - 12	900342-25012	5 - 16
178302-37930	4 - 17	437019-38330	6 - 17	900345-40030	4 - 10
178510-38330	2 - 21	437024-37330	6 - 15	900500-00008	3 - 12
178510-38331	2 - 21	437029-37330	6 - 13	900560-00005	10 - 9
178810-14532	2 - 22	437062-38330	6 - 16	900560-00005	5 - 9
178810-14533	2 - 22	437063-38330	1 - 17	900562-50005	10 - 9
178810-14534	2 - 22	437210-35430	6 - 9	900562-50005	5 - 9
351103-39933	4 - 12	437210-39931	6 - 5	900600-00005	2 - 17
351103-39934	4 - 12	606416-60630	1 - 33	900603-00005	3 - 16
351111-19830	4 - 11	606416-60631	1 - 33	900605-00008	3 - 11

Index

Patrs Number	Key No.	Patrs Number	Key No.	Patrs Number	Key No.
900720-00022	4 - 20	P021-007180	1 - 30		
900721-00025	1 - 39	P021-007181	1 - 30		
900725-02025	1 - 39	P021-007240	1 - 14		
900888-36201	1 - 15	P021-010170	10 - 22		
91145-05016	4 - 32	P021-010170	5 - 22		
91145-05020	4 - 31	P021-010280	10 - 27		
91318-05032	10 - 10	P021-010280	5 - 22		
91318-05032	5 - 10	P021-010300	10 -		
A021-001280	2 - 14	P022-001320	3 - 26		
A021-001280	9 -	P022-004630	3 - 20		
A051-000580	3 - 19	P022-006230	3 - 22		
A051-000581	3 - 19	P022-006240	3 - 23		
A056-000120	5 - 44	P022-006250	3 - 24		
A160-000013	1 - 19	V135-000010	3 - 31		
A160-000014	1 - 19	V203-000041	5 - 35		
A232-000020	1 - 20	V203-000090	3 - 17		
A232-000021	1 - 20	V203-000110	10 - 25		
A235-000020	1 - 21	V203-000110	5 - 22		
A241-000100	2 - 21	V355-000270	5 - 39		
A365-000050	1 - 38	V451-000500	5 - 46		
A426-000010	3 - 4	V471-001240	2 - 33		
A427-000010	3 - 5	V471-001280	2 - 32		
A427-000011	3 - 5	V505-000010	1 - 16		
A427-000012	3 - 5	V651-000001	5 - 38		
A439-000144	2 - 24	V651-000011	5 - 37		
A500-000151	3 - 27	X502-000020	5 - 40		
A507-000010	3 - 21	X502-000120	3 - 30		
A552-000060	5 - 45	X503-004710	1 - 41		
A556-000170	5 - 34	X503-004711	1 - 41		
A556-000171	5 - 34				
C032-000005	10 -				
C032-000015	10 -				
C032-000016	10 -				
C032-000017	10 -				
C304-000020	10 - 26				
C304-000020	5 - 22				
C305-000011	10 - 11				
C305-000011	5 - 11				
C309-000030	5 - 36				
C328-000060	10 - 20				
C328-000060	5 - 20				
C400-000190	4 - 30				
C450-000000	4 - 8				
P003-000010	8 - 13				
P003-000010	9 - 13				
P021-004100	1 - 5				
P021-006060	5 - 32				
P021-006492	4 - 12				
P021-007050	5 - 47				

YAMABIKO CORPORATION

7-2 SUEHIROCHO 1-CHOME, OHME, TOKYO 198-8760, JAPAN
PHONE: 81-428-32-6118. FAX: 81-428-32-6145.

