



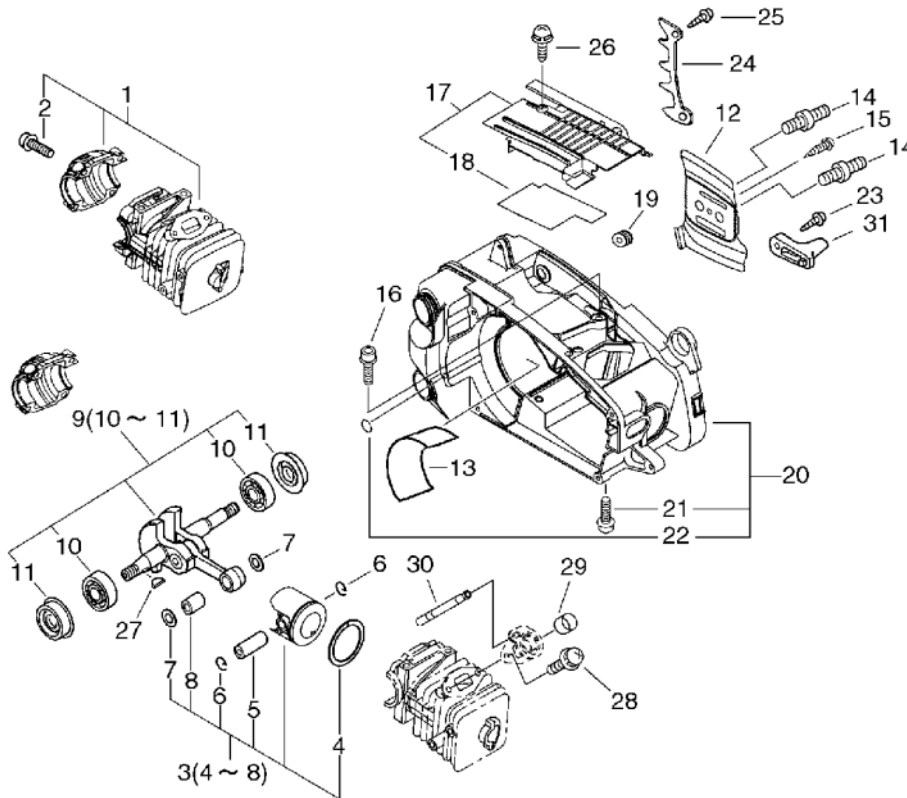
PARTS CATALOGUE

CHAIN SAW CS-351WES(36)

- **36006370**

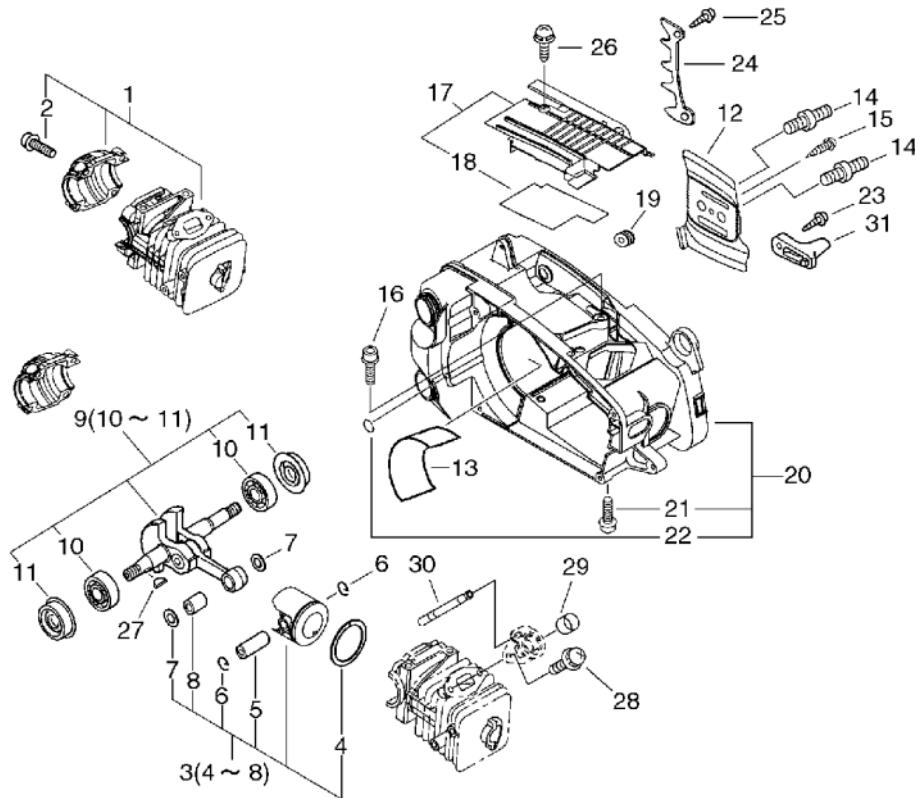
CS-351WES(36)

1. CYLINDER, CRANKCASE, PISTON



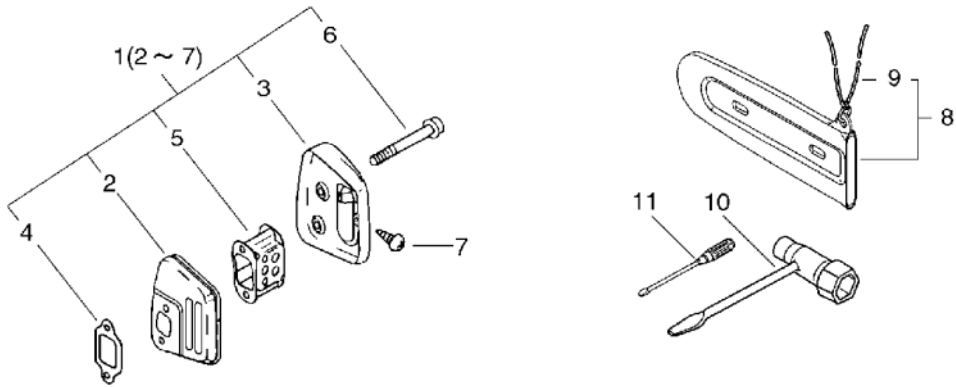
KEY	LV	PART NUMBER	Q'TY	DESCRIPTION	REMARKS	NOTE1	NOTE2
1		P021-009250	1	CRANKCASE SET			
2	+	900162-05025	4	BOLT, H.S. 5*25	5*25 W,SW		
3		P021-009230	1	PISTON KIT			
4	+	A101-000120	1	RING,PISTON	BF R0.2		
5	+	100013-15330	1	PIN, PISTON	5.5*8*29		
6	+	100015-04630	2	CIRCLIP, PISTON PIN			
7	+	100014-60930	2	SPACER, PISTON PIN			
8	+	V553-000040	1	BEARING,NEEDLE 8	8E- KV8X11X11.8XS		
9		P021-010701	1	CRANKSHAFT ASY			
10	+	94035-36201	2	BEARING BALL	6201X3JR2C3		
11	+	V505-000010	2	SEAL,OIL 12			
12		C305-000080	1	PLATE,SPROCKET GUARD	T0.3		
13		V420-001110	1	CUSHION			
14		433011-03931	2	STUD, GUIDE BAR			
15		900253-04010	1	SCREW 4*10	4*10		
16		900106-05020	2	BOLT, H.S. 5*20	5*20		
17		P021-008741	1	DUSTCOVER SET			
18	+	V341-000040	1	WASHER,SQUARE			
19		163911-30130	1	PLUG			
20		P021-008676	1	COVER,ENGINE KIT			
21	+	900106-05030	2	BOLT, H.S.H. 5*30	5*30		
22	+	900724-00004	1	O-RING (S-4)	S-4		
23		900253-05020	1	SCREW 5*20	5*20		
24		C304-000000	1	SPIKE			
25		900253-05020	1	SCREW 5*20	5*20		

1. CYLINDER, CRANKCASE, PISTON



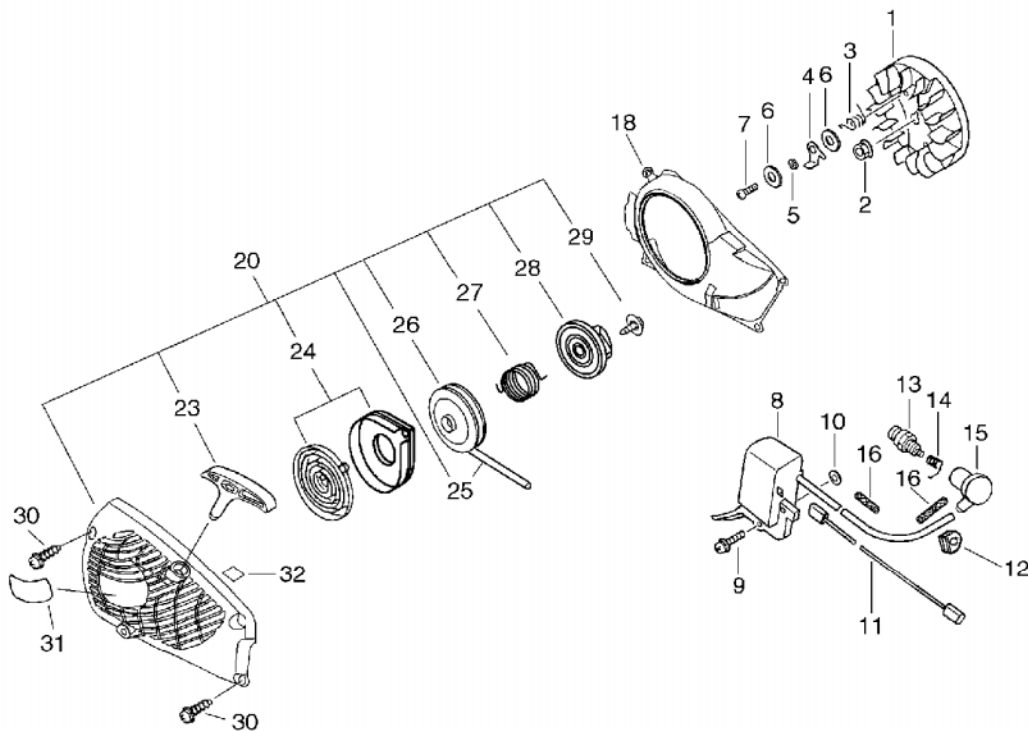
KEY	LV	PART NUMBER	Q'TY	DESCRIPTION	REMARKS	NOTE1	NOTE2
26		900253-04012	2	SCREW	4*12		
27		100142-12330	1	KEY, WOODRUFF			
28		91420-05012	2	SCREW	5*12		
29		V359-000060	1	COLLAR,16			
30		V470-000481	1	PIPE	3*7*65		
31		433026-35430	1	CATCHER, CHAIN			

2. MUFFLER, TOOLS



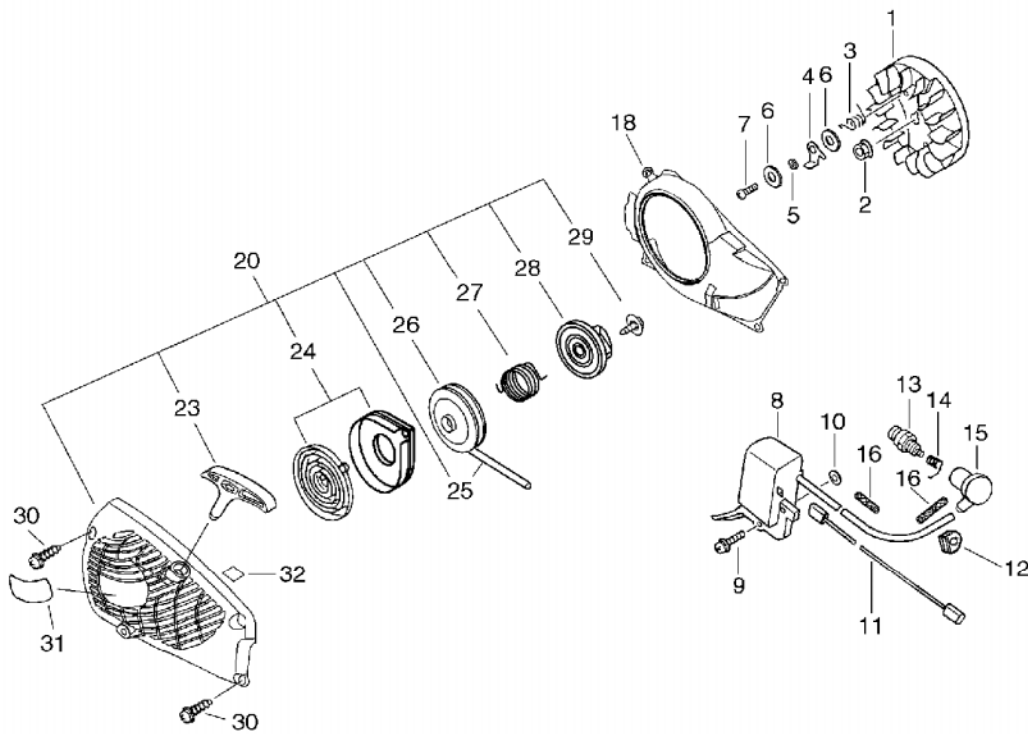
KEY	LV	PART NUMBER	Q'TY	DESCRIPTION	REMARKS	NOTE1	NOTE2
1		P021-009930	1	MUFFLER ASY			
2	+	A300-000370	1	MUFFLER,EXHAUST			
3	+	A303-000041	1	LID,MUFFLER			
4	+	145510-13931	1	GASKET, MUFFLER			
5	+	A301-000000	1	PLATE,MUFFLER			
6	+	91107-05040	2	BOLT HSH FLANGE	5*40		
7	+	900250-04008	1	SCREW 4*8	4*8		
8		P021-006951	1	SCABBARD,CHAIN	(ORANGE)		
9	+	898568-14530	1	ROPE	5*900		
10		895410-03930	1	WRENCH, W/S. DRIVER			
11		895812-03930	1	DRIVER, SCREW 50			

3. STARTER, MAGNETO



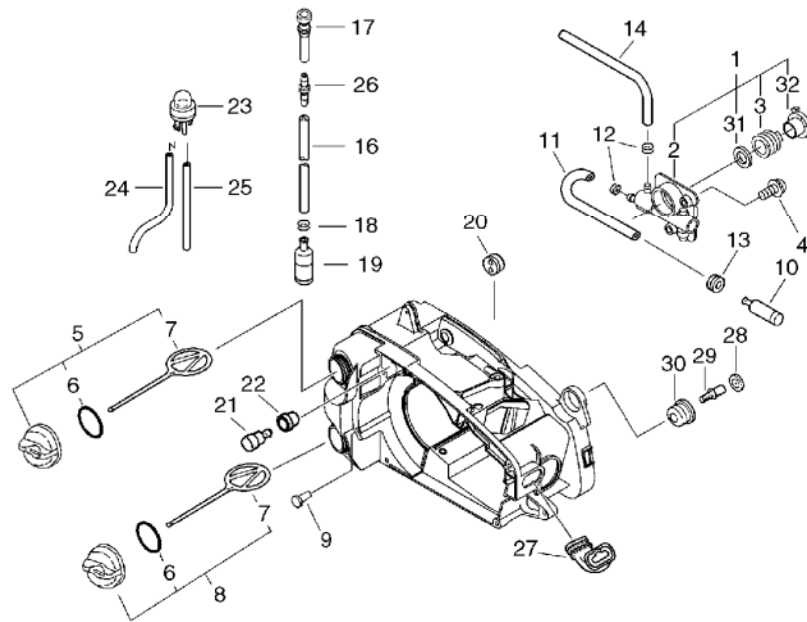
KEY	LV	PART NUMBER	Q'TY	DESCRIPTION	REMARKS	NOTE1	NOTE2
1		A409-000170	1	ROTOR,MAGNETO			
2		900515-00008	1	NUT, FLANGE 8	8		
3		177234-35430	2	SPRING, RETURN			
4		A514-000020	2	PAWL			
5		177247-04630	2	SPACER, RATCHET	5.2*8*2.1		
6		900603-00005	4	WASHER 5	5.5*12*0.8		
7		V203-000080	2	BOLT,5	5*14		
8		A411-000150	1	COIL,IGNITION			
9		900238-05022	2	SCREW 5*22	5*22		
10		150117-16430	2	SPACER			
11		V485-000550	1	LEAD	AMP-187 AMP-250		
12		156110-04920	1	BUSHING			
13		159010-10230	1	PLUG, SPARK (BPMR-7A	BPMR-7A		
14		A426-000000	1	TERMINAL,SPARKPLUG			
15		A427-000000	1	CAP, SPARK PLUG			
16		V475-002390	2	TUBE			
18		A172-000501	1	COVER,FAN			
20		A051-000802	1	STARTER,RECOIL			
23	+	P022-005891	1	GRIP, STARTER			
24	+	P022-001330	1	SPRING KIT, REWIND			
25	+	P022-008440	1	ROPE, STARTER	3.5*900		
26	+	A506-000030	1	REEL,ROPE			
27	+	V452-000220	1	SPRING,TORSION	D2.3φ21.1		
28	+	A507-000021	1	CATCHER,PAWL			
29	+	177236-61830	1	SCREW			

3. STARTER, MAGNETO



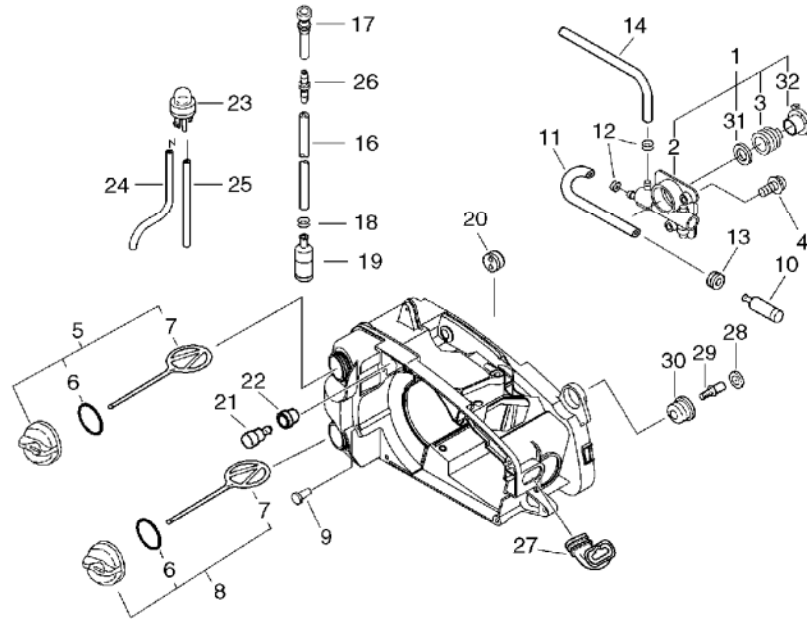
KEY	LV	PART NUMBER	Q'TY	DESCRIPTION	REMARKS	NOTE1	NOTE2
30		900256-04016	4	SCREW 4*16	4*16		
31		X502-000101	1	LABEL,ECHO			
32		X505-000180	1	LABEL,CAUTION			

4. AUTO-OILER



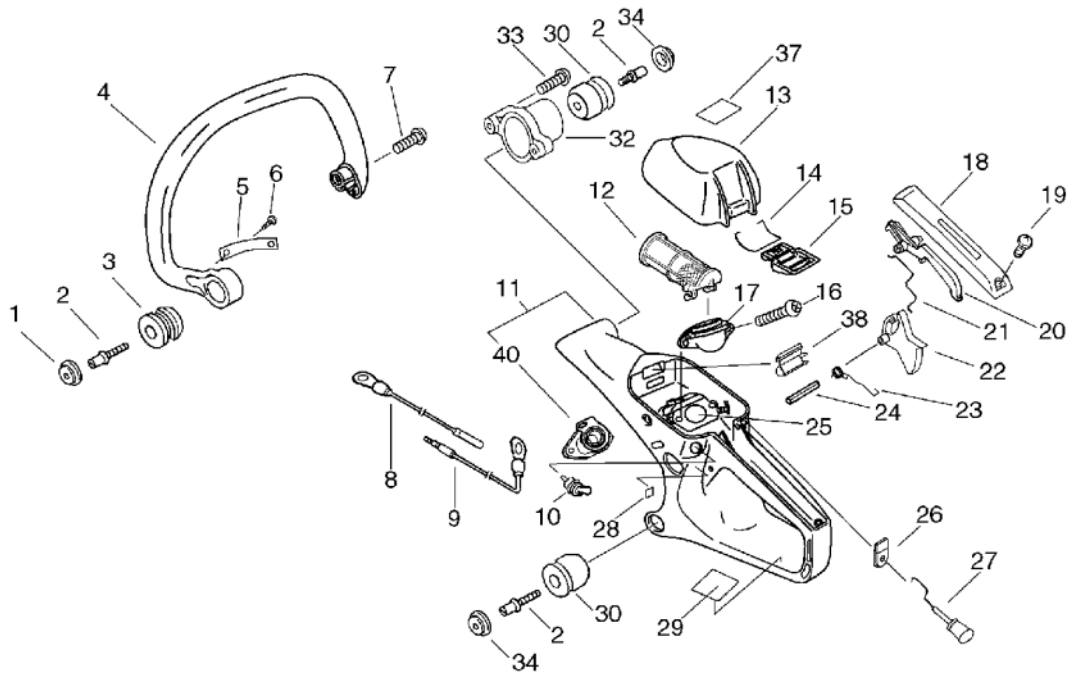
KEY	LV	PART NUMBER	Q'TY	DESCRIPTION	REMARKS	NOTE1	NOTE2
1		P021-010890	1	AUTO-OILER ASY			
2	+	C022-000020	1	AUTO-OILER ASSEMBLY			
3	+	V652-000030	1	GEAR,WORM			
32	+	V356-000290	1	COLLAR,10			
31	+	V308-000030	1	WASHER,CIRCULAR 11	10.5*17.4*1.8		
4		900238-04012	2	SCREW 4*12	4*12		
5		P021-005591	1	CAP ASY			
6	+	900720-00018	1	O-RING 18	P-18		
7	+	A365-000050	1	CONNECTOR,CAP			
8		P021-005581	1	OIL CAP ASY			
6	+	900720-00018	1	O-RING 18	P-18		
7	+	A365-000050	1	CONNECTOR,CAP			
9		436114-13930	1	VALVE, CHECK			
10		436205-02832	1	STRAINER, OIL			
11		V471-000740	1	PIPE			
12		132013-26630	2	CLIP	6.5MM		
13		132115-01461	1	GROMMET			
14		V471-000760	1	PIPE			
16		V471-000750	1	PIPE			
17		V470-000320	1	PIPE			
18		132013-09820	1	CLIP	6MM		
19		131205-14930	1	STRAINER,FUEL			
20		132115-44330	1	GROMMET			
21		131300-56430	1	VALVE, CHECK			
22		V137-000000	1	GROMMET,FUEL			

4. AUTO-OILER



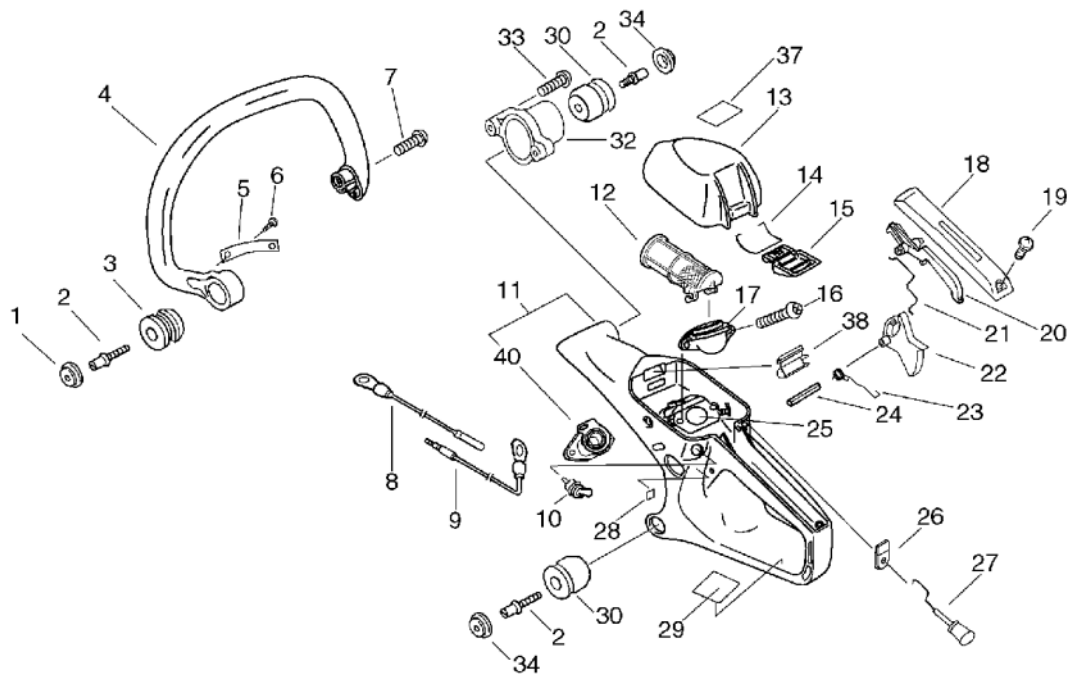
KEY	LV	PART NUMBER	Q'TY	DESCRIPTION	REMARKS	NOTE1	NOTE2
23		123181-39130	1	PUMP, PRIMER			
24		V471-001440	1	PIPE	2.4*5*295		
25		V471-001290	1	PIPE	2.4*5*75		
26		V186-000020	1	JOINT, PIPE			
27		A239-000030	1	PIPE, INTAKE	L TYPE		
28		100918-15130	1	CAP			
29		V202-000020	1	BOLT, 4			
30		100910-18830	1	CUSHION			

5. HANDLE



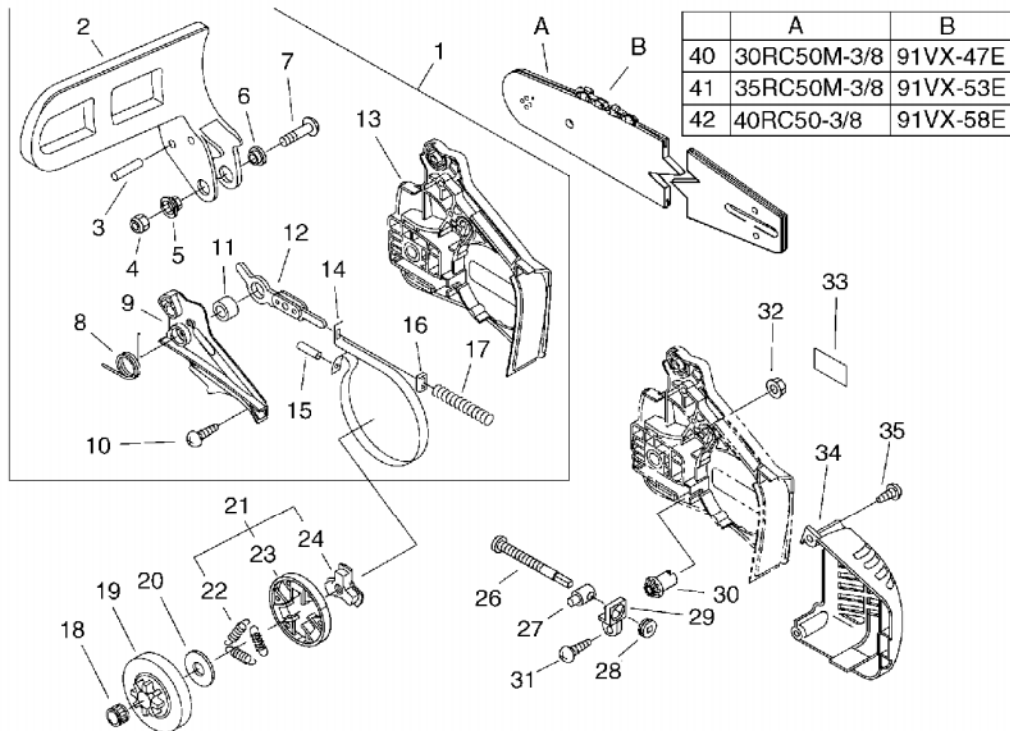
KEY	LV	PART NUMBER	Q'TY	DESCRIPTION	REMARKS	NOTE1	NOTE2
1		100918-14330	1	CAP, CUSHION			
2		V202-000020	3	BOLT,4			
3		V401-000120	1	CUSHION,5			
4		C400-000320	1	HANDLE,FRONT		Sus. by C400-000321	
4		C400-000321	1	HANDLE,FRONT			
5		C617-000200	1	STOPPER			
6		900253-04008	1	SCREW 4*8	4*8		
7		900253-05020	2	SCREW 5*20	5*20		
8		V485-000560	1	LEAD	CB-104 LA-105		
9		V485-000571	1	LEAD			
10		163400-38430	1	SWITCH, IGNITION			
11		P021-011541	1	HANDLE, REAR			
40	+	A202-000033	1	BELLOWS,INTAKE			
12		A226-000260	1	ELEMENT,AIR FILTER			
13		A232-000191	1	LID,CLEANER			
14		V582-000020	1	RING,SNAP	CSE2700		
15		A235-000140	1	KNOB,CLEANER LID			
16		900238-05050	2	SCREW 5*50	5*50		
17		A204-000060	1	ELBOW,CARBURETOR			
18		C411-000001	1	LID,HANDLE			
18		C411-000001	1	LID,HANDLE			
19		900253-04012	1	SCREW	4*12		
20		178090-37930	1	LOCKOUT, T. CONTROL			
21		C454-000110	1	ROD, THROTTLE			

5. HANDLE



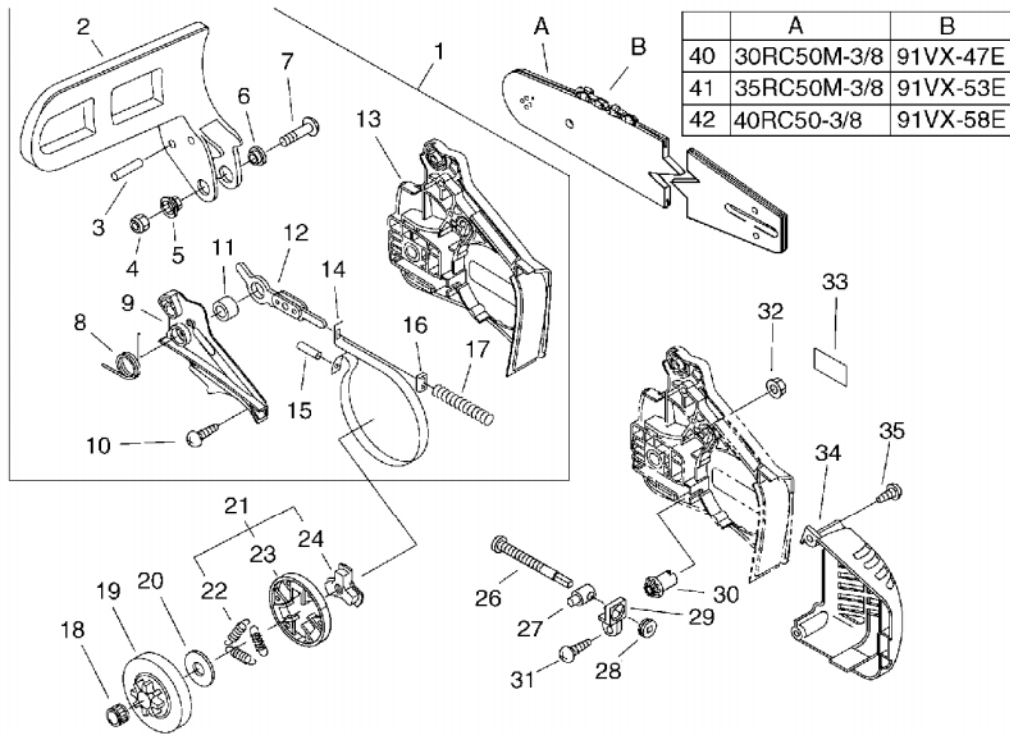
KEY	LV	PART NUMBER	Q'TY	DESCRIPTION	REMARKS	NOTE1	NOTE2
22		C450-000140	1	TRIGGER, THROTTLE			
22		C450-000141	1	TRIGGER, THROTTLE			
23		178043-35430	1	SPRING, THR. RETURN		Sus. by V452-000260	
23		V452-000260	1	SPRING, TORSION			
24		900345-40025	1	PIN, SPRING 4*25SUS	4*25SUS		
25		A021-001560	1	CARBURETOR, DIAPHRAGM	WT-897		
26		V130-000010	1	GROMMET, CHOKE			
27		A241-000060	1	KNOB, CHOKE			
28		890157-39130	1	LABEL, SWITCH			
29		890345-39230	1	LABEL, CAUTION			
30		V400-000070	2	CUSHION, 4			
32		V424-000000	1	SLEEVE, CUSHION			
33		900253-04016	2	SCREW 4*16	4*16		
34		100918-15130	2	CAP			
37		X503-009140	1	LABEL, MODEL	CS-351WES EU ST1		
38		V142-000020	1	GROMMET, DUST			

6. CLUTCH, SPROCKET



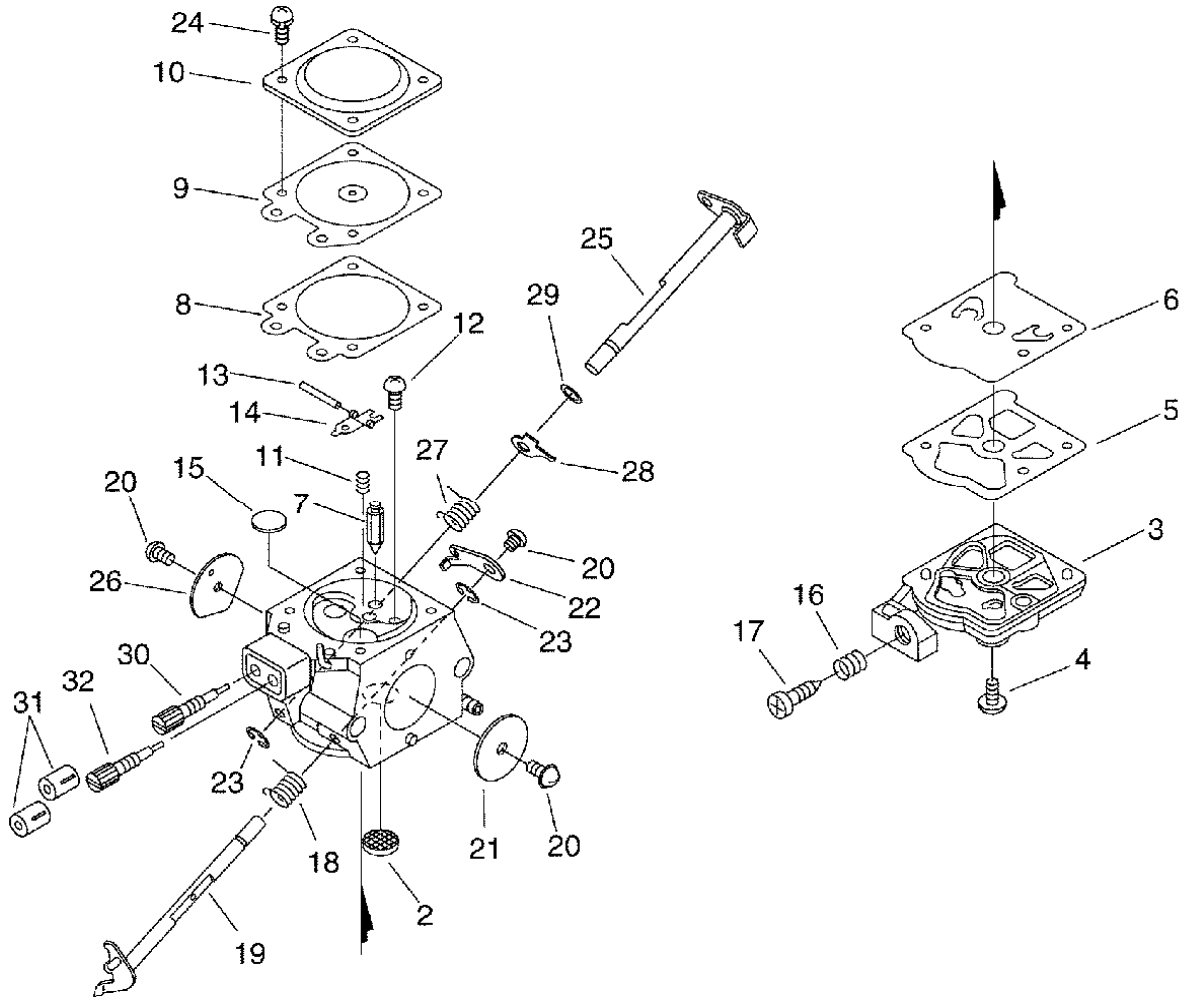
KEY	LV	PART NUMBER	Q'TY	DESCRIPTION	REMARKS	NOTE1	NOTE2
1		C032-000215	1	BRAKE,ASM CHAIN			
2	+	C320-000046	1	LEVER,BRAKE			
3	+	900330-30260	2	ROLLER 3*26	3*26		
4	+	900562-50005	1	LOCKNUT 5	5		
5	+	V353-000060	1	COLLAR,5			
6	+	433167-39130	1	SPACER			
7	+	91318-05032	1	SCREW	5*32		
8	+	V452-000110	1	SPRING,TORSION			
9	+	C345-000084	1	COVER,BRAKE			
10	+	900253-04012	3	SCREW	4*12		
11	+	433116-35430	1	SPACER 8	8*12*9		
12	+	C334-000070	1	CONNECTOR,BRAKE			
13	+	C300-000242	1	GUARD,SPROCKET			
14	+	C328-000030	1	BAND,BRAKE			
15	+	93050-30098	1	ROLLER	F3*9.8		
16	+	V376-000450	1	SPACER			
17	+	V450-000070	1	SPRING,COMPRESSION			
18		175012-00831	1	BEARING, NEEDLE			
19		175005-39132	1	DRUM, CLUTCH	3/8A		
20		A551-000010	1	PLATE,CLUTCH			
21		A056-000070	1	CLUTCH			
22	+	V451-000470	3	SPRING,TENSION			
23	+	A555-000060	3	SHOE,CLUTCH			
24	+	A552-000020	1	HUB,CLUTCH			
26		V203-000041	1	BOLT,5			
27		C309-000030	1	TENSIONER,CHAIN			

6. CLUTCH, SPROCKET



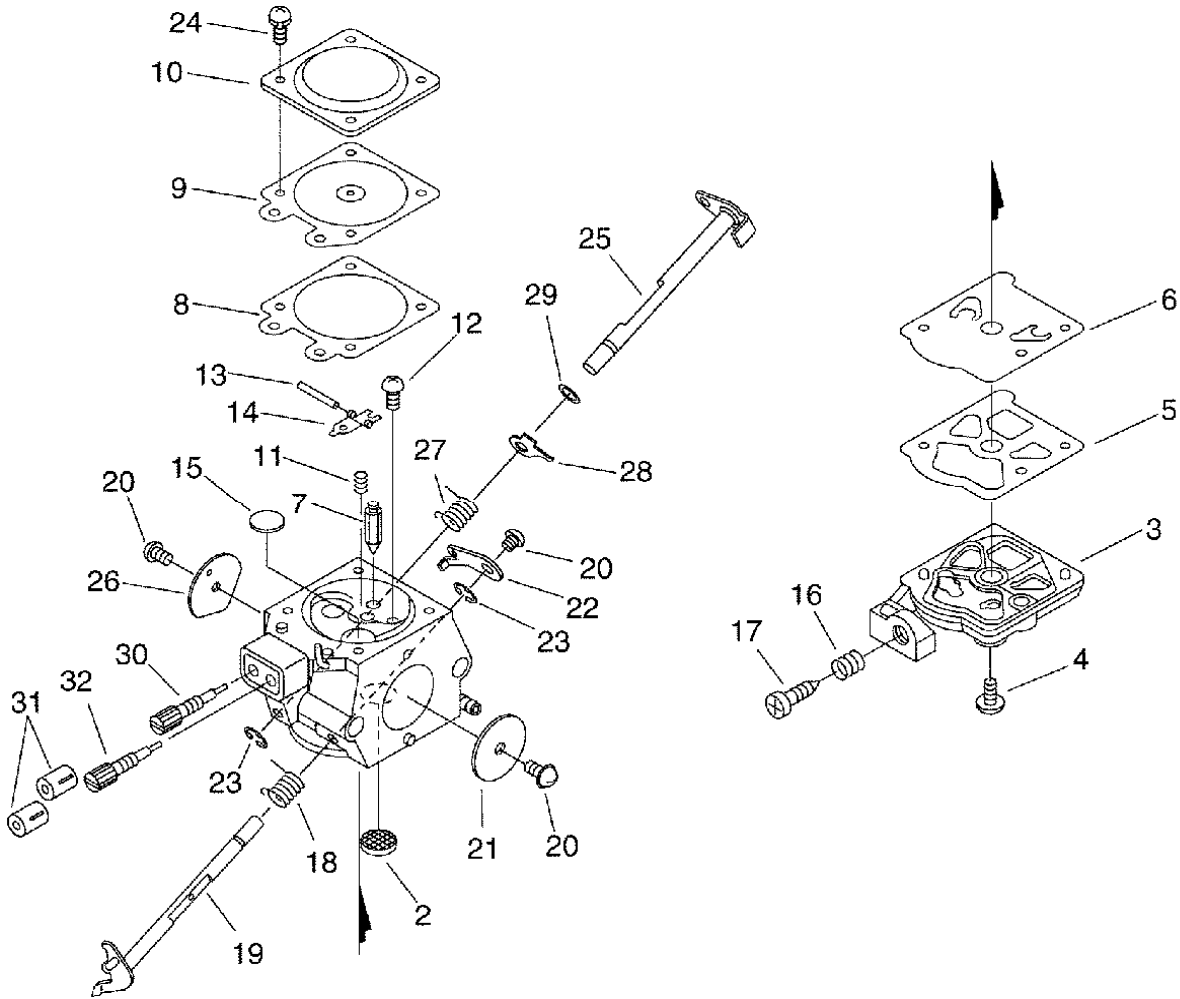
KEY	LV	PART NUMBER	Q'TY	DESCRIPTION	REMARKS	NOTE1	NOTE2
28		V651-000011	1	GEAR,BEVEL			
29		V355-000140	1	COLLAR,8			
30		V651-000001	1	GEAR,BEVEL			
31		900253-04012	1	SCREW	4*12		
32		433019-03933	2	NUT, FLANGE 6	6		
33		X502-000340	1	LABEL,ECHO	ECHO(WHITE)		
34		A320-000183	1	COVER,MUFFLER			
35		900253-04016	2	SCREW 4*16	4*16		
40A		X122-000071	1	BAR,GUIDE30RC50M-3/8	30RC50M-3/8		
40B		431010-39931	1	CHAIN, SAW 91VX-47E	ECHO		
41A		X123-000131	1	BAR,GUIDE35RC50M-3/8	91VX-47E		
41B		431019-39931	1	CHAIN,SAW	35RC50M-3/8		
42A		430211-13432	1	BAR,GUIDE 40RC50-3/8	91VX-53E		
42B		431011-39431	1	CHAIN, SAW 91VX-58E	40RC50-3/8		
					91VX-58E		

7. CARBURETOR



KEY	LV	PART NUMBER	Q'TY	DESCRIPTION	REMARKS	NOTE1	NOTE2
		A021-001560	1	CARBURETOR,DIAPHRAGM	WT-897		
2	+	123126-10631	1	SCREEN, INLET			
3	+	123124-24430	1	COVER, FUEL PUMP			
4	+	123110-03930	1	SCREW, PUMP COVER			
5	+	123125-15030	1	GASKET, FUEL PUMP			
6	+	123112-15030	1	DIAPHRAGM, FUEL PUMP			
7	+	123137-19830	1	VALVE, INLET NEEDLE			
8	+	123140-27230	1	GASKET, M. DIAPHRAGM			
9	+	123141-03930	1	DIAPHRAGM, METERING			
10	+	123142-03930	1	COVER, M. DIAPHRAGM			
11	+	123122-39830	1	SPRING, METER. LEVER			
12	+	123139-03930	1	SCREW, M. LEVER PIN			
13	+	123138-03930	1	PIN, METERING LEVER			
14	+	123123-03930	1	LEVER, METERING			
15	+	123146-10631	1	PLUG, WELCH			
16	+	123133-04260	1	SPRING, IDLE ADJUST			
17	+	123134-04260	1	SCREW, IDLE ADJUST			
18	+	123113-37530	1	SPRING, THROTTLE RTN			
19	+	P003-000480	1	SHAFT, THROTTLE			
20	+	123114-38830	3	SCREW			
21	+	123116-10530	1	VALVE, THROTTLE			
22	+	P003-001040	1	LEVER THROTTLE			
23	+	123127-15030	2	RING			
24	+	123130-02960	4	SCREW			
25	+	P003-001140	1	SHAFT, CHOKE			
26	+	123132-35430	1	VALVE, CHOKE			

7. CARBURETOR



KEY	LV	PART NUMBER	Q'TY	DESCRIPTION	REMARKS	NOTE1	NOTE2
27	+	P003-001470	1	SPRING			
28	+	P003-001510	1	LEVER-FAST IDLE			
29	+	123149-26030	1	WASHER			
30	+	123118-02261	1	NEEDLE			
31	+	P003-000010	2	LIMITER CAP			
32	+	123120-03661	1	NEEDLE			

Index

Patrs Number	Key No.	Patrs Number	Key No.	Patrs Number	Key No.
100013-15330	1 - 5	177236-61830	3 - 29	91420-05012	1 - 28
100014-60930	1 - 7	177247-04630	3 - 5	93050-30098	6 - 15
100015-04630	1 - 6	178043-35430	5 - 23	94035-36201	1 - 10
100142-12330	1 - 27	178090-37930	5 - 20	A021-001560	5 - 25
100910-18830	4 - 30	430211-13432	6 - 42A	A021-001560	7 -
100918-14330	5 - 1	431010-39931	6 - 40B	A051-000802	3 - 20
100918-15130	4 - 28	431011-39431	6 - 42B	A056-000070	6 - 21
100918-15130	5 - 34	431019-39931	6 - 41B	A101-000120	1 - 4
123110-03930	7 - 4	433011-03931	1 - 14	A172-000501	3 - 18
123112-15030	7 - 6	433019-03933	6 - 32	A202-000033	5 - 40
123113-37530	7 - 18	433026-35430	1 - 31	A204-000060	5 - 17
123114-38830	7 - 20	433116-35430	6 - 11	A226-000260	5 - 12
123116-10530	7 - 21	433167-39130	6 - 6	A232-000191	5 - 13
123118-02261	7 - 30	436114-13930	4 - 9	A235-000140	5 - 15
123120-03661	7 - 32	436205-02832	4 - 10	A239-000030	4 - 27
123122-39830	7 - 11	890157-39130	5 - 28	A241-000060	5 - 27
123123-03930	7 - 14	890345-39230	5 - 29	A300-000370	2 - 2
123124-24430	7 - 3	895410-03930	2 - 10	A301-000000	2 - 5
123125-15030	7 - 5	895812-03930	2 - 11	A303-000041	2 - 3
123126-10631	7 - 2	898568-14530	2 - 9	A320-000183	6 - 34
123127-15030	7 - 23	900106-05020	1 - 16	A365-000050	4 - 7
123130-02960	7 - 24	900106-05030	1 - 21	A365-000050	4 - 7
123132-35430	7 - 26	900162-05025	1 - 2	A409-000170	3 - 1
123133-04260	7 - 16	900238-04012	4 - 4	A411-000150	3 - 8
123134-04260	7 - 17	900238-05022	3 - 9	A426-000000	3 - 14
123137-19830	7 - 7	900238-05050	5 - 16	A427-000000	3 - 15
123138-03930	7 - 13	900250-04008	2 - 7	A506-000030	3 - 26
123139-03930	7 - 12	900253-04008	5 - 6	A507-000021	3 - 28
123140-27230	7 - 8	900253-04010	1 - 15	A514-000020	3 - 4
123141-03930	7 - 9	900253-04012	1 - 26	A551-000010	6 - 20
123142-03930	7 - 10	900253-04012	5 - 19	A552-000020	6 - 24
123146-10631	7 - 15	900253-04012	6 - 10	A555-000060	6 - 23
123149-26030	7 - 29	900253-04012	6 - 31	C022-000020	4 - 2
123181-39130	4 - 23	900253-04016	5 - 33	C032-000215	6 - 1
131205-14930	4 - 19	900253-04016	6 - 35	C300-000242	6 - 13
131300-56430	4 - 21	900253-05020	1 - 23	C304-000000	1 - 24
132013-09820	4 - 18	900253-05020	1 - 25	C305-000080	1 - 12
132013-26630	4 - 12	900253-05020	5 - 7	C309-000030	6 - 27
132115-01461	4 - 13	900256-04016	3 - 30	C320-000046	6 - 2
132115-44330	4 - 20	900330-30260	6 - 3	C328-000030	6 - 14
145510-13931	2 - 4	900345-40025	5 - 24	C334-000070	6 - 12
150117-16430	3 - 10	900515-00008	3 - 2	C345-000084	6 - 9
156110-04920	3 - 12	900562-50005	6 - 4	C400-000320	5 - 4
159010-10230	3 - 13	900603-00005	3 - 6	C400-000321	5 - 4
163400-38430	5 - 10	900720-00018	4 - 6	C411-000001	5 - 18
163911-30130	1 - 19	900720-00018	4 - 6	C411-000001	5 - 18
175005-39132	6 - 19	900724-00004	1 - 22	C450-000140	5 - 22
175012-00831	6 - 18	91107-05040	2 - 6	C450-000141	5 - 22
177234-35430	3 - 3	91318-05032	6 - 7	C454-000110	5 - 21

Index

Patrs Number	Key No.	Patrs Number	Key No.	Patrs Number	Key No.
C617-000200	5 - 5	V471-000760	4 - 14		
P003-000010	7 - 31	V471-001290	4 - 25		
P003-000480	7 - 19	V471-001440	4 - 24		
P003-001040	7 - 22	V475-002390	3 - 16		
P003-001140	7 - 25	V485-000550	3 - 11		
P003-001470	7 - 27	V485-000560	5 - 8		
P003-001510	7 - 28	V485-000571	5 - 9		
P021-005581	4 - 8	V505-000010	1 - 11		
P021-005591	4 - 5	V553-000040	1 - 8		
P021-006951	2 - 8	V582-000020	5 - 14		
P021-008676	1 - 20	V651-000001	6 - 30		
P021-008741	1 - 17	V651-000011	6 - 28		
P021-009230	1 - 3	V652-000030	4 - 3		
P021-009250	1 - 1	X122-000071	6 - 40A		
P021-009930	2 - 1	X123-000131	6 - 41A		
P021-010701	1 - 9	X502-000101	3 - 31		
P021-010890	4 - 1	X502-000340	6 - 33		
P021-011541	5 - 11	X503-009140	5 - 37		
P022-001330	3 - 24	X505-000180	3 - 32		
P022-005891	3 - 23				
P022-008440	3 - 25				
V130-000010	5 - 26				
V137-000000	4 - 22				
V142-000020	5 - 38				
V186-000020	4 - 26				
V202-000020	4 - 29				
V202-000020	5 - 2				
V203-000041	6 - 26				
V203-000080	3 - 7				
V308-000030	4 - 31				
V341-000040	1 - 18				
V353-000060	6 - 5				
V355-000140	6 - 29				
V356-000290	4 - 32				
V359-000060	1 - 29				
V376-000450	6 - 16				
V400-000070	5 - 30				
V401-000120	5 - 3				
V420-001110	1 - 13				
V424-000000	5 - 32				
V450-000070	6 - 17				
V451-000470	6 - 22				
V452-000110	6 - 8				
V452-000220	3 - 27				
V452-000260	5 - 23				
V470-000320	4 - 17				
V470-000481	1 - 30				
V471-000740	4 - 11				
V471-000750	4 - 16				

YAMABIKO CORPORATION

7-2 SUEHIROCHO 1-CHOME, OHME, TOKYO 198-8760, JAPAN
PHONE: 81-428-32-6118. FAX: 81-428-32-6145.

