



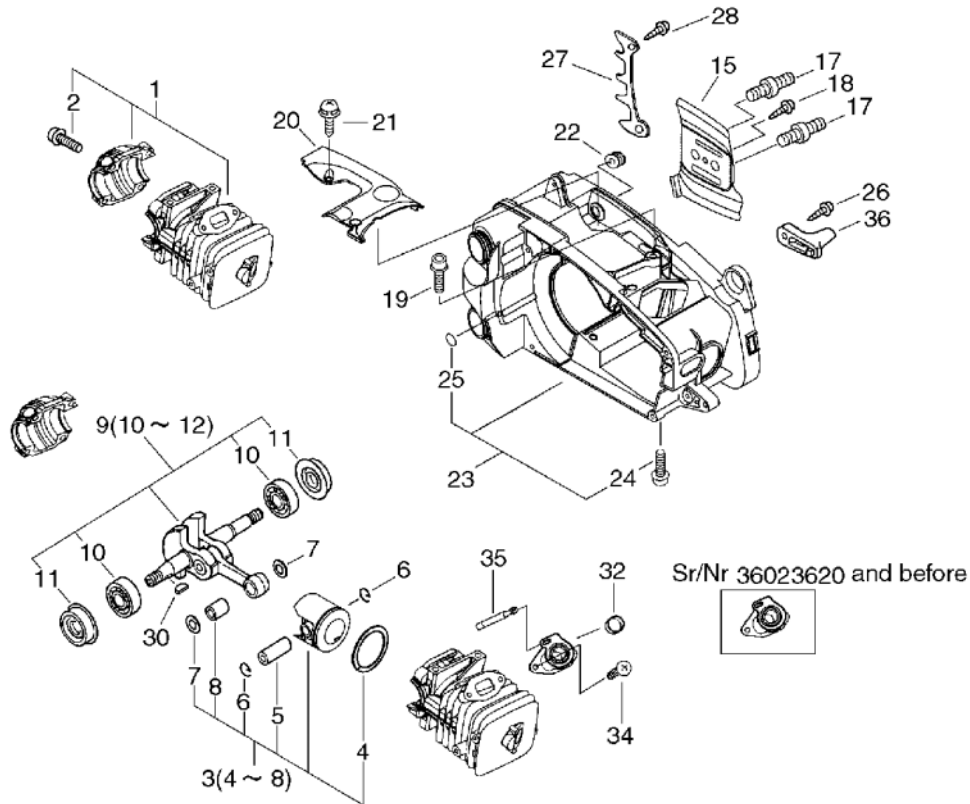
PARTS CATALOGUE

TOP HANDLE SAW CS-350TES(36)

- **36035770**

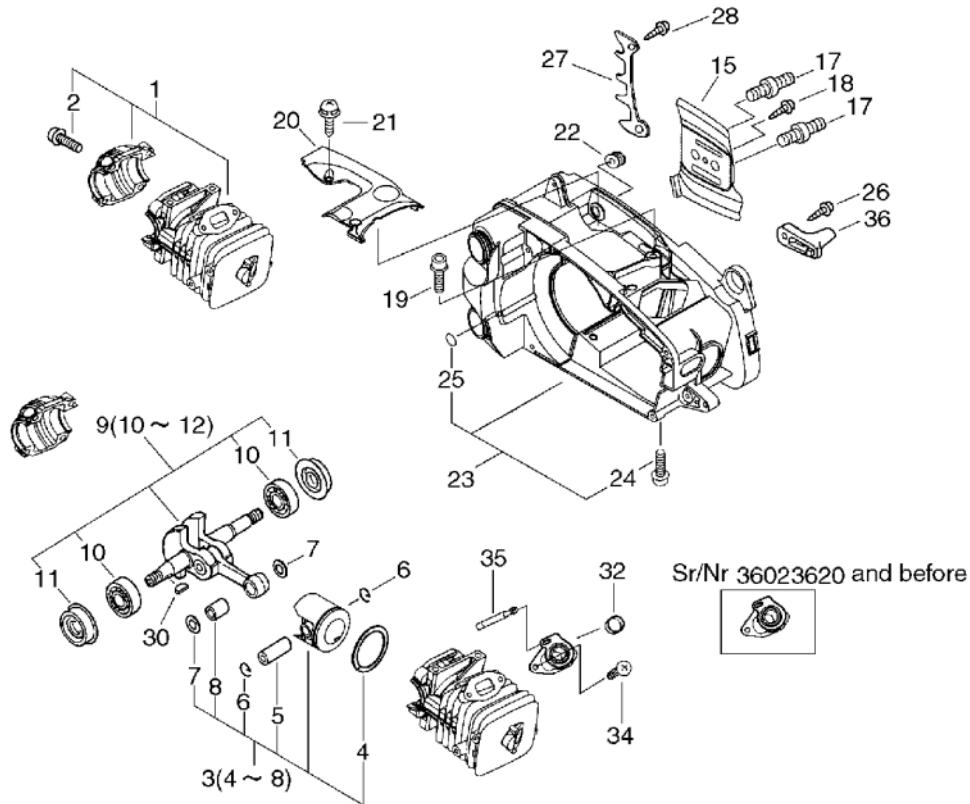
CS-350TES(36)

1. Cylinder, Crankcase, Piston(Sr/Nr 36024770 and before)



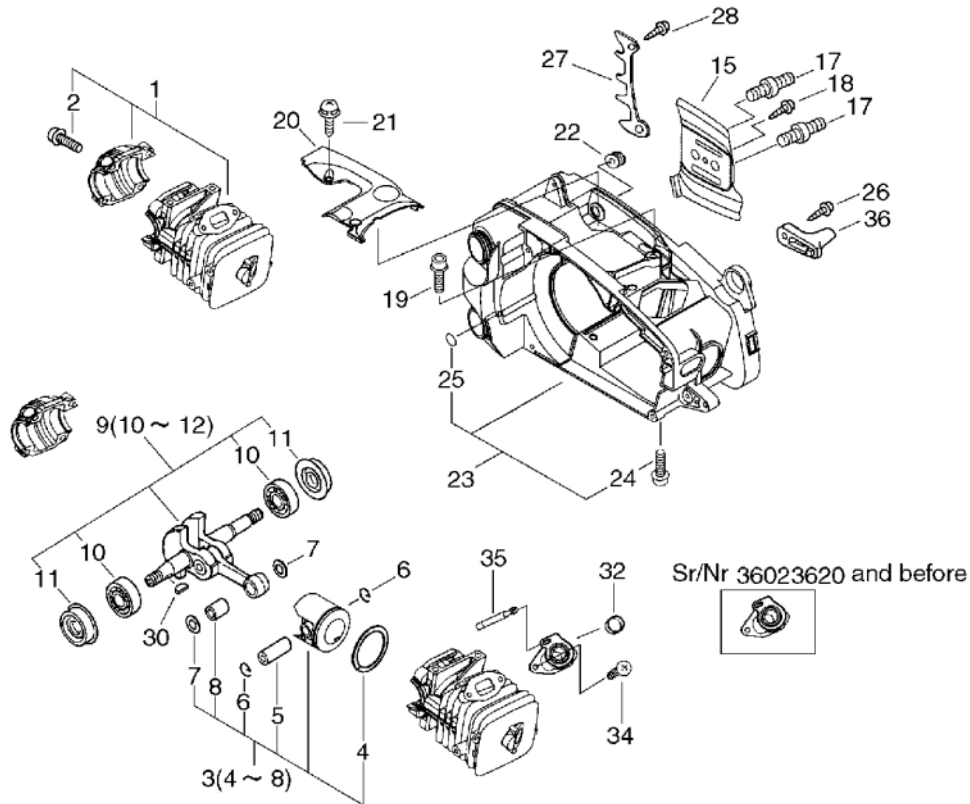
KEY	LV	PART NUMBER	Q'TY	DESCRIPTION	REMARKS	NOTE1	NOTE2
1		P021-004921	1	CRANKCASE SET		Sus. by P021-009250	
1		P021-009250	1	CRANKCASE SET			
2	+	900162-05025	4	BOLT, H.S. 5*25	5*25 W,SW		
3		P021-004931	1	PISTON KIT		Sus. by P021-009230	
3		P021-004932	1	PISTON KIT		Sus. by P021-009230	
3		P021-009230	1	PISTON KIT			
4	+	100011-13330	1	RING, PISTON		Sus. by A101-000120	
4	+	A101-000120	1	RING,PISTON	BF R0.2		
5	+	100013-15330	1	PIN, PISTON	5.5*8*29		
6	+	100015-04630	2	CIRCLIP, PISTON PIN			
7	+	100014-60930	2	SPACER, PISTON PIN			
8	+	V553-000040	1	BEARING,NEEDLE 8	8E-KV8X11X11.8XS		
9		P021-004940	1	CRANKSHAFT ASY		Sus. by P021-004941	
9		P021-004941	1	CRANKSHAFT ASY		Sr/Nr 36007533 and before	
9		P021-005511	1	CRANKSHAFT ASY		Sr/Nr 36007534 and after	
9		P021-005512	1	CRANKSHAFT ASY		Sus. by P021-010701	

1. Cylinder, Crankcase, Piston(Sr/Nr 36024770 and before)



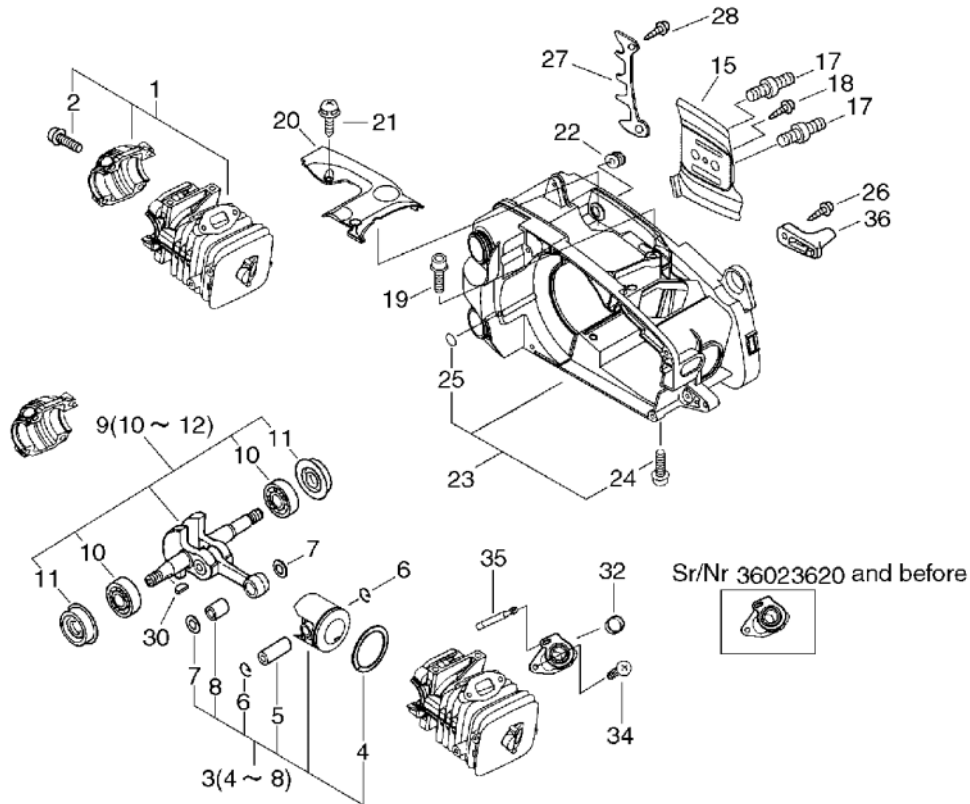
KEY	LV	PART NUMBER	Q'TY	DESCRIPTION	REMARKS	NOTE1	NOTE2
9		P021-010700	1	CRANKSHAFT ASY		Sus. by P021-010701	
9		P021-010701	1	CRANKSHAFT ASY			
10	+	94035-36201	2	BEARING BALL	6201X3JR2C3		
11	+	V505-000010	2	SEAL,OIL 12			
12	+	V652-000010	1	GEAR,WORM		Sr/Nr 36018303 and before	
15		C305-000070	1	PLATE,SPROCKET GUARD		Sus. by C305-000080	
15		C305-000080	1	PLATE,SPROCKET GUARD	T0.3		
17		433011-03931	2	STUD, GUIDE BAR			
18		900253-04010	1	SCREW 4*10	4*10		
19		900106-05020	4	BOLT, H.S. 5*20	5*20	Sr/Nr 36005000 and before	
19		900106-05020	2	BOLT, H.S. 5*20	5*20	Sr/Nr 36005001 and after	
20		A127-000050	1	COVER,DUST			
21		900253-04012	2	SCREW	4*12		
22		163911-30130	1	PLUG			
23		P021-008670	1	COVER ENGINE		Sus. by P021-008675	
23		P021-008671	1	COVER,ENGINE		Sus. by P021-008675	
23		P021-008672	1	COVER,ENGINE		Sus. by P021-008675	

1. Cylinder, Crankcase, Piston(Sr/Nr 36024770 and before)



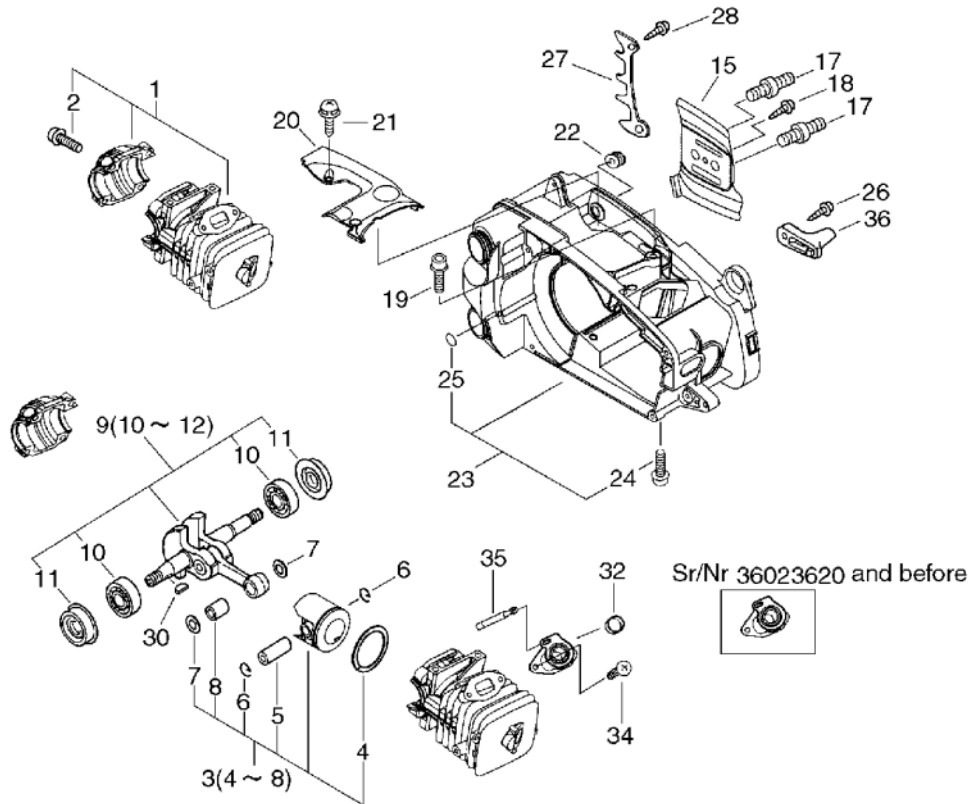
KEY	LV	PART NUMBER	Q'TY	DESCRIPTION	REMARKS	NOTE1	NOTE2
23		P021-008673	1	COVER,ENGINE		Sus. by P021-008675	
23		P021-008674	1	COVER,ENGINE KIT		Sus. by P021-008675	
23		P021-008675	1	COVER,ENGINE KIT			
24	+	900106-05030	2	BOLT, H.S.H. 5*30	5*30	Sr/Nr 36005001 and after	
25	+	900724-00004	1	O-RING (S-4)	S-4	A202000033	
26		900253-05020	1	SCREW 5*20	5*20		
27		C304-000000	1	SPIKE			
28		900253-05020	1	SCREW 5*20	5*20		
30		100142-12330	1	KEY, WOODRUFF			
31		A202-000032	1	BELLOWS,INTAKE		Sr/Nr 36023620 and before	
32		V359-000060	1	COLLAR,16			
34		91420-05012	2	SCREW	5*12		
35		V470-000481	1	PIPE	3*7*65		
36		433026-35430	1	CATCHER, CHAIN			

2. Cylinder, Crankcase, Piston(Sr/Nr 36024771 and after)



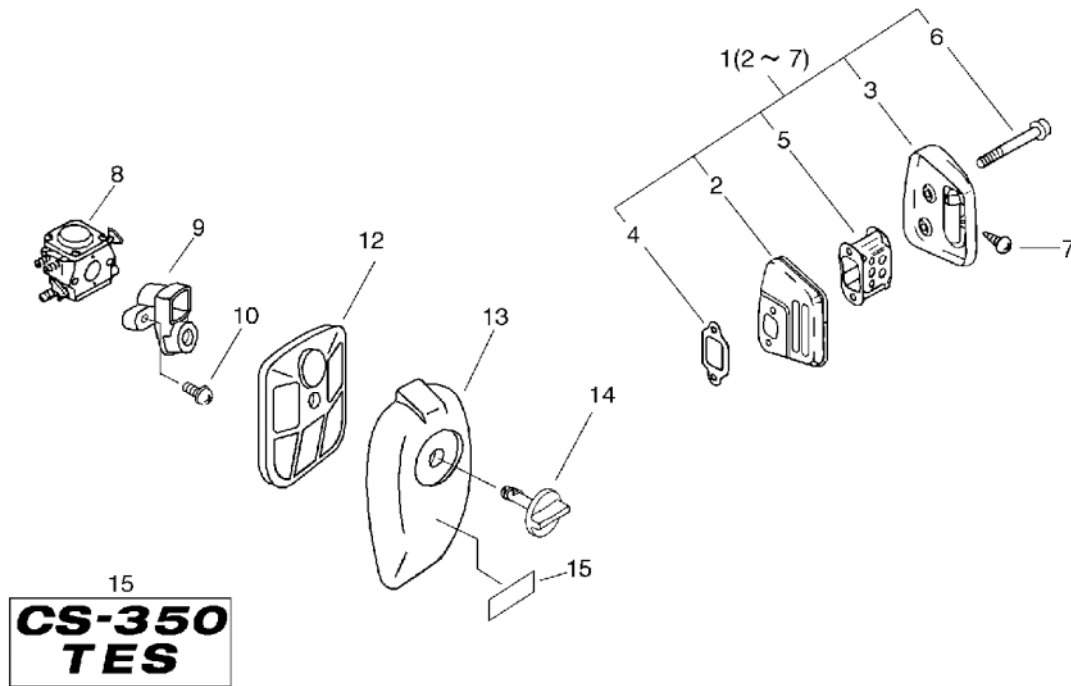
KEY	LV	PART NUMBER	Q'TY	DESCRIPTION	REMARKS	NOTE1	NOTE2
1		P021-009250	1	CRANKCASE SET			
2	+	900162-05025	4	BOLT, H.S. 5*25	5*25 W,SW		
3		P021-009230	1	PISTON KIT			
4	+	A101-000120	1	RING,PISTON	BF R0.2		
5	+	100013-15330	1	PIN, PISTON	5.5*8*29		
6	+	100015-04630	2	CIRCLIP, PISTON PIN			
7	+	100014-60930	2	SPACER, PISTON PIN			
8	+	V553-000040	1	BEARING,NEEDLE 8	8E- KV8X11X11.8XS		
9		P021-010701	1	CRANKSHAFT ASY			
10	+	94035-36201	2	BEARING BALL	6201X3JR2C3		
11	+	V505-000010	2	SEAL,OIL 12			
12	+	V652-000010	1	GEAR,WORM			
15		C305-000080	1	PLATE,SPROCKET GUARD	T0.3		
17		433011-03931	2	STUD, GUIDE BAR			
18		900253-04010	1	SCREW 4*10	4*10		
19		900106-05020	2	BOLT, H.S. 5*20	5*20		
20		A127-000050	1	COVER,DUST			
21		900253-04012	2	SCREW	4*12		
22		163911-30130	1	PLUG			
23		P021-008675	1	COVER,ENGINE KIT		Sus. by P021- 008676	
24	+	900106-05030	2	BOLT, H.S.H. 5*30	5*30		
25	+	900724-00004	1	O-RING (S-4)	S-4		
26		900253-05020	1	SCREW 5*20	5*20		
27		C304-000000	1	SPIKE			

2. Cylinder, Crankcase, Piston(Sr/Nr 36024771 and after)



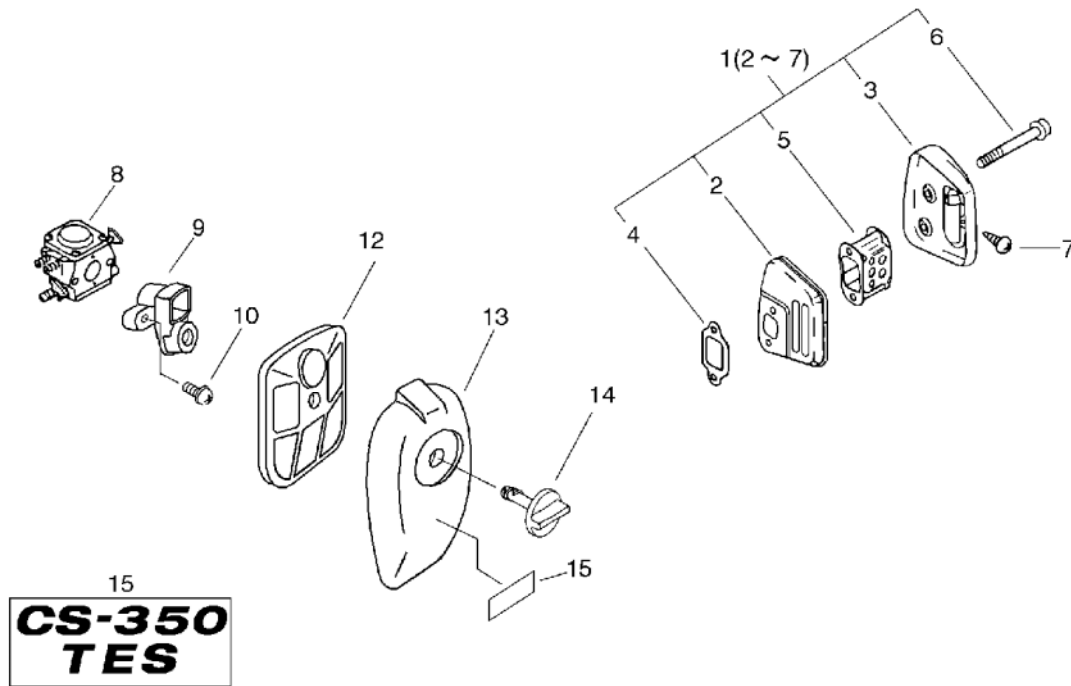
KEY	LV	PART NUMBER	Q'TY	DESCRIPTION	REMARKS	NOTE1	NOTE2
28		900253-05020	1	SCREW 5*20	5*20		
30		100142-12330	1	KEY, WOODRUFF			
32		V359-000060	1	COLLAR,16			
34		91420-05012	2	SCREW	5*12		
35		V470-000481	1	PIPE	3*7*65		
36		433026-35430	1	CATCHER, CHAIN			

3. Air Cleaner, Muffler(Sr/Nr 36024770 and before)



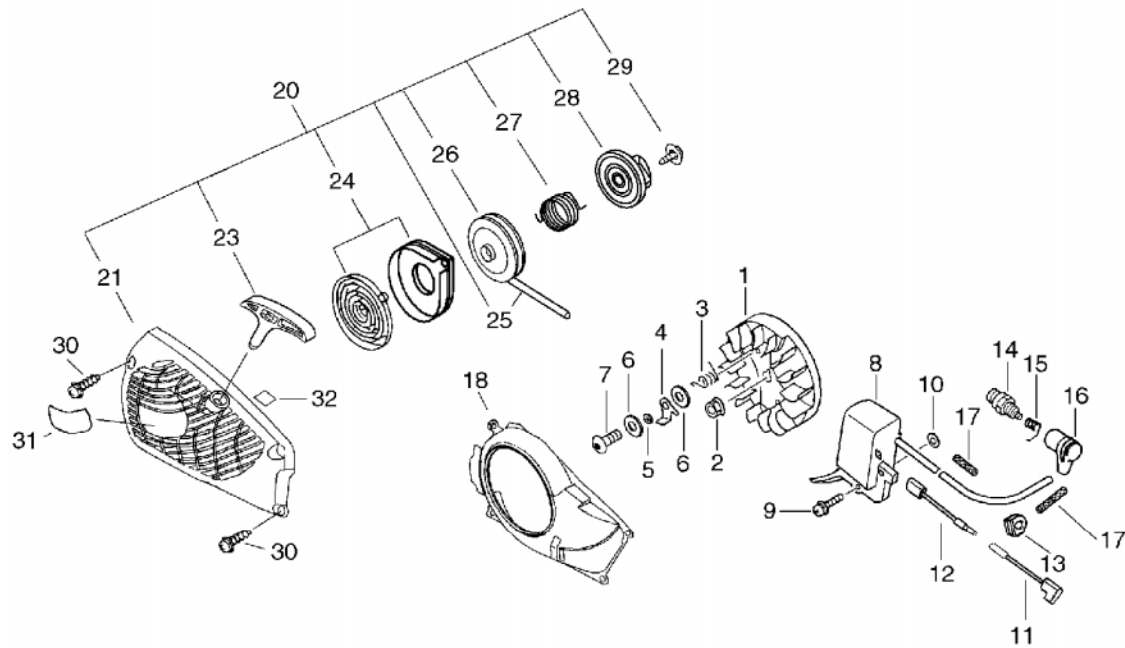
KEY	LV	PART NUMBER	Q'TY	DESCRIPTION	REMARKS	NOTE1	NOTE2
1		P021-004952	1	MUFFLER ASY		Sus. by P021-009930	
2	+	A300-000370	1	MUFFLER,EXHAUST			
3	+	P021-008650	1	MUFFLER LID ASY			
4	+	145510-13931	1	GASKET, MUFFLER			
5	+	A301-000000	1	PLATE,MUFFLER			
6	+	91107-05040	2	BOLT HSH FLANGE	5*40		
7	+	900250-04008	1	SCREW 4*8	4*8		
8		A021-000850	1	CARBURETOR,DIAPHRAGM	WT-699	Sus. by A021-000862	
8		A021-000851	1	CARBURETOR,DIAPHRAGM	WT-699A	Sus. by A021-000862	
8		A021-000861	1	CARBURETOR,DIAPHRAGM	WT-698A	Sus. by A021-000862	
8		A021-000862	1	CARBURETOR,DIAPHRAGM	WT-698A		
9		A204-000040	1	ELBOW,CARBURETOR		Sus. by A204-000041	
9		A204-000041	1	ELBOW,CARBURETOR			
10		900238-05050	2	SCREW 5*50	5*50		
12		A226-000180	1	ELEMENT,AIR FILTER			
13		A232-000160	1	LID,CLEANER			
14		A235-000040	1	KNOB,CLEANER LID			
15		X503-006190	1	LABEL,MODEL	CS-350TES EU ST1		

4. Air Cleaner, Muffler(Sr/Nr 36024771 and after)



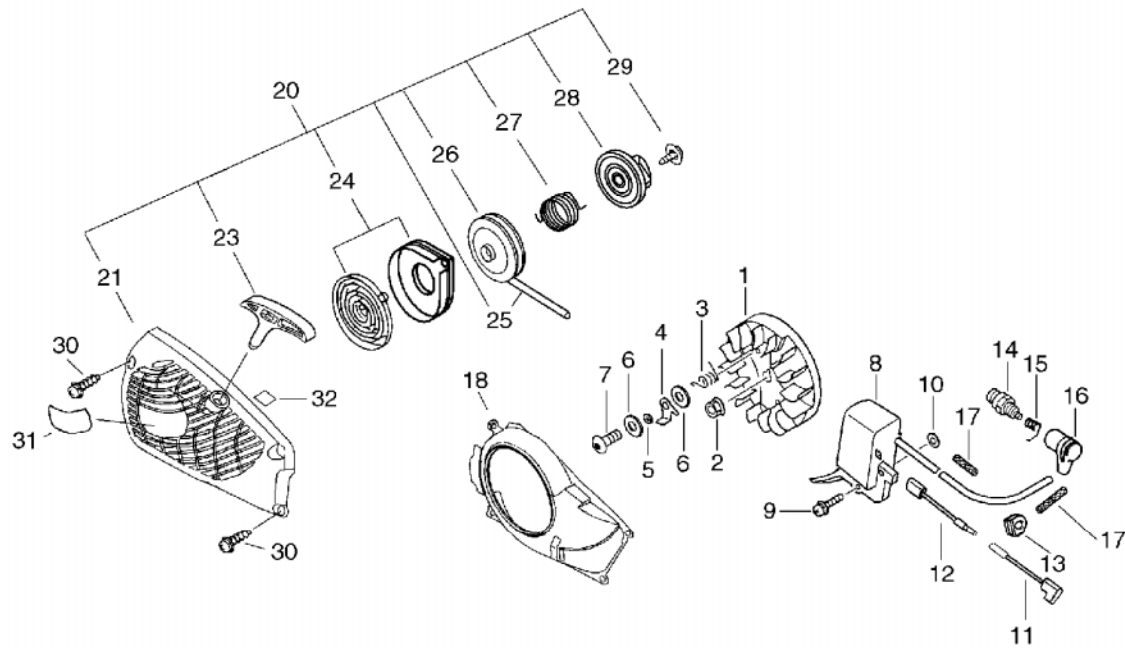
KEY	LV	PART NUMBER	Q'TY	DESCRIPTION	REMARKS	NOTE1	NOTE2
1		P021-004952	1	MUFFLER ASY		Sus. by P021-009930	
1		P021-009930	1	MUFFLER ASY			
2	+	A300-000370	1	MUFFLER,EXHAUST			
3	+	P021-008650	1	MUFFLER LID ASY			
4	+	145510-13931	1	GASKET, MUFFLER			
5	+	A301-000000	1	PLATE, MUFFLER			
6	+	91107-05040	2	BOLT HSH FLANGE	5*40		
7	+	900250-04008	1	SCREW 4*8	4*8		
8		A021-000862	1	CARBURETOR,DIAPHRAGM	WT-698A		
9		A204-000041	1	ELBOW,CARBURETOR			
10		900238-05050	2	SCREW 5*50	5*50		
12		A226-000180	1	ELEMENT,AIR FILTER			
13		A232-000160	1	LID,CLEANER			
14		A235-000040	1	KNOB,CLEANER LID			
15		X503-006190	1	LABEL,MODEL	CS-350TES EU ST1		

5. Starter, Magneto(Sr/Nr 36024770 and before)



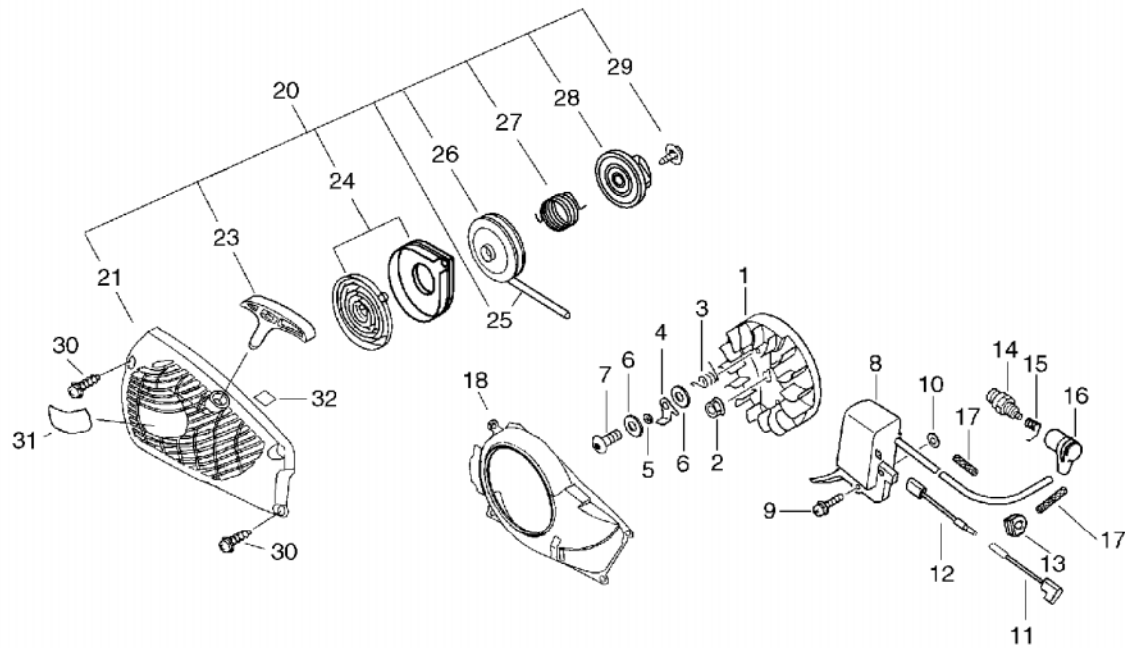
KEY	LV	PART NUMBER	Q'TY	DESCRIPTION	REMARKS	NOTE1	NOTE2
1		A409-000170	1	ROTOR,MAGNETO			
2		900515-00008	1	NUT, FLANGE 8	8		
3		177234-35430	2	SPRING, RETURN			
4		A514-000020	2	PAWL			
5		177247-04630	2	SPACER, RATCHET	5.2*8*2.1		
6		900603-00005	4	WASHER 5	5.5*12*0.8		
7		900105-05014	2	BOLT, H.S. 5*14	5*14	Sus. by V203-000080	
7		V203-000080	2	BOLT,5	5*14		
8		A411-000150	1	COIL,IGNITION			
9		900238-05022	2	SCREW 5*22	5*22		
10		150117-16430	2	SPACER			
11		162010-55930	1	LEARD, GROUND	235L		
12		V485-000140	1	LEAD			
13		156110-04920	1	BUSHING			
14		159010-10230	1	PLUG, SPARK (BPMR-7A	BPMR-7A		
15		A426-000010	1	TERMINAL,SPARKPLUG			
16		A427-000012	1	CAP,SPARK PLUG			
17		V475-002390	1	TUBE		Sus. by V475-002390 Q'ty:2	
17		V475-002390	2	TUBE			
18		A172-000500	1	COVER,FAN		Sus. by A172-000501	
18		A172-000501	1	COVER,FAN			

5. Starter, Magneto(Sr/Nr 36024770 and before)



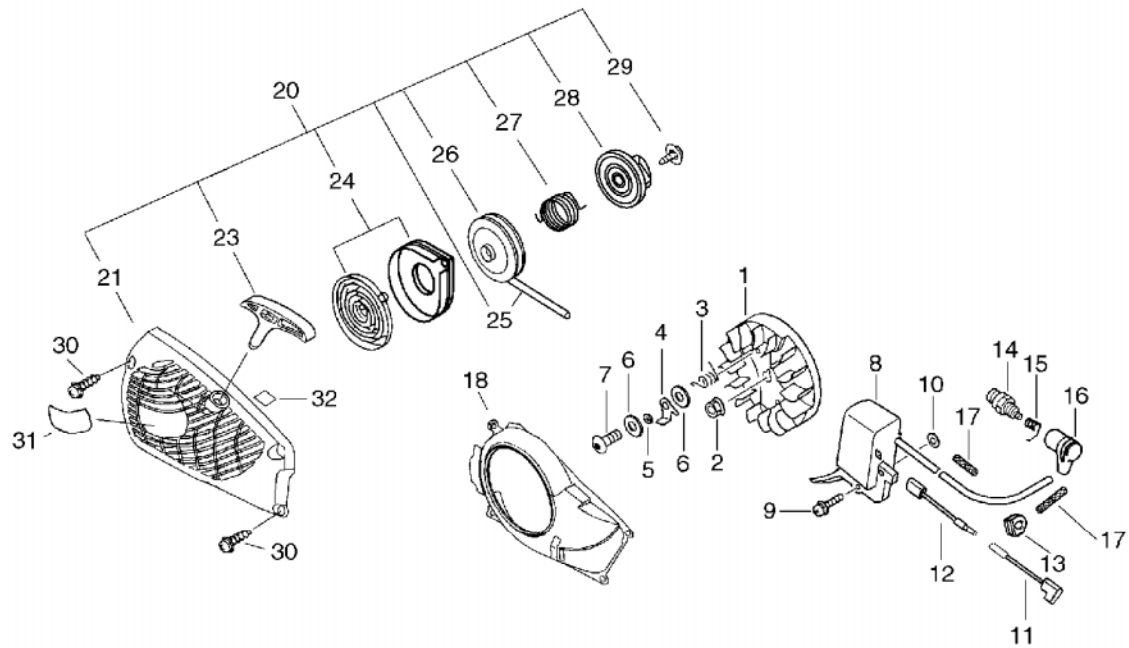
KEY	LV	PART NUMBER	Q'TY	DESCRIPTION	REMARKS	NOTE1	NOTE2
20		A051-000790	1	STARTER,RECOIL	CS-350TES	Sus. by A051-000792	
20		A051-000791	1	STARTER,RECOIL		Sus. by A051-000792	
20		A051-000792	1	STARTER,RECOIL			
21	+	P022-008770	1	STARTER,RECOIL		Sus. by P022-008771	
21	+	P022-008771	1	STARTER,RECOIL			
23	+	P022-005890	1	GRIP, STARTER			
24	+	P022-001330	1	SPRING KIT, REWIND			
25	+	P022-008440	1	ROPE, STARTER	3.5*900		
26	+	A506-000030	1	REEL, ROPE			
27	+	V452-000220	1	SPRING, TORSION	D2.3φ21.1		
28	+	A507-000020	1	CATCHER, PAWL		Sus. by A507-000021	
28	+	A507-000021	1	CATCHER, PAWL			
29	+	177236-61830	1	SCREW			
30		900256-04016	4	SCREW 4*16	4*16		
31		X502-000130	1	LABEL, ECHO		Sus. by X502-000100	
31		X502-000100	1	LABEL, ECHO		Sus. by X502-000101	
32		X505-000180	1	LABEL, CAUTION			

6. Starter, Magneto(Sr/Nr 36024771 and after)



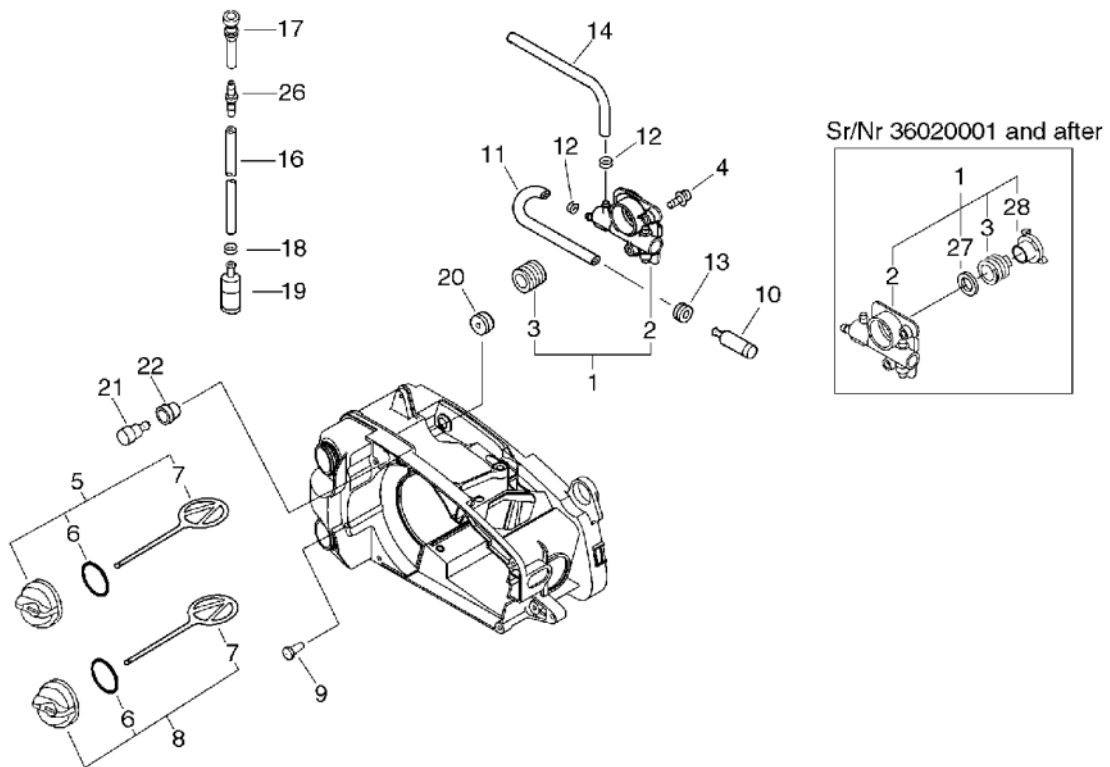
KEY	LV	PART NUMBER	Q'TY	DESCRIPTION	REMARKS	NOTE1	NOTE2
1		A409-000170	1	ROTOR,MAGNETO			
2		900515-00008	1	NUT, FLANGE 8	8		
3		177234-35430	2	SPRING, RETURN			
4		A514-000020	2	PAWL			
5		177247-04630	2	SPACER, RATCHET	5.2*8*2.1		
6		900603-00005	4	WASHER 5	5.5*12*0.8		
7		V203-000080	2	BOLT,5	5*14		
8		A411-000150	1	COIL,IGNITION			
9		900238-05022	2	SCREW 5*22	5*22		
10		150117-16430	2	SPACER			
11		162010-55930	1	LEARD, GROUND	235L		
12		V485-000140	1	LEAD			
13		156110-04920	1	BUSHING			
14		159010-10230	1	PLUG, SPARK (BPMR-7A	BPMR-7A		
15		A426-000010	1	TERMINAL,SPARKPLUG			
16		A427-000012	1	CAP, SPARK PLUG		Sus. by A427-000013	
17		V475-002390	2	TUBE			
18		A172-000501	1	COVER,FAN			
20		A051-000792	1	STARTER,RECOIL			
21	+	P022-008771	1	STARTER,RECOIL			
23	+	P022-005890	1	GRIP, STARTER			
24	+	P022-001330	1	SPRING KIT, REWIND			
25	+	P022-008440	1	ROPE, STARTER	3.5*900		
26	+	A506-000030	1	REEL,ROPE			
27	+	V452-000220	1	SPRING,TORSION	D2.3φ21.1		

6. Starter, Magneto(Sr/Nr 36024771 and after)



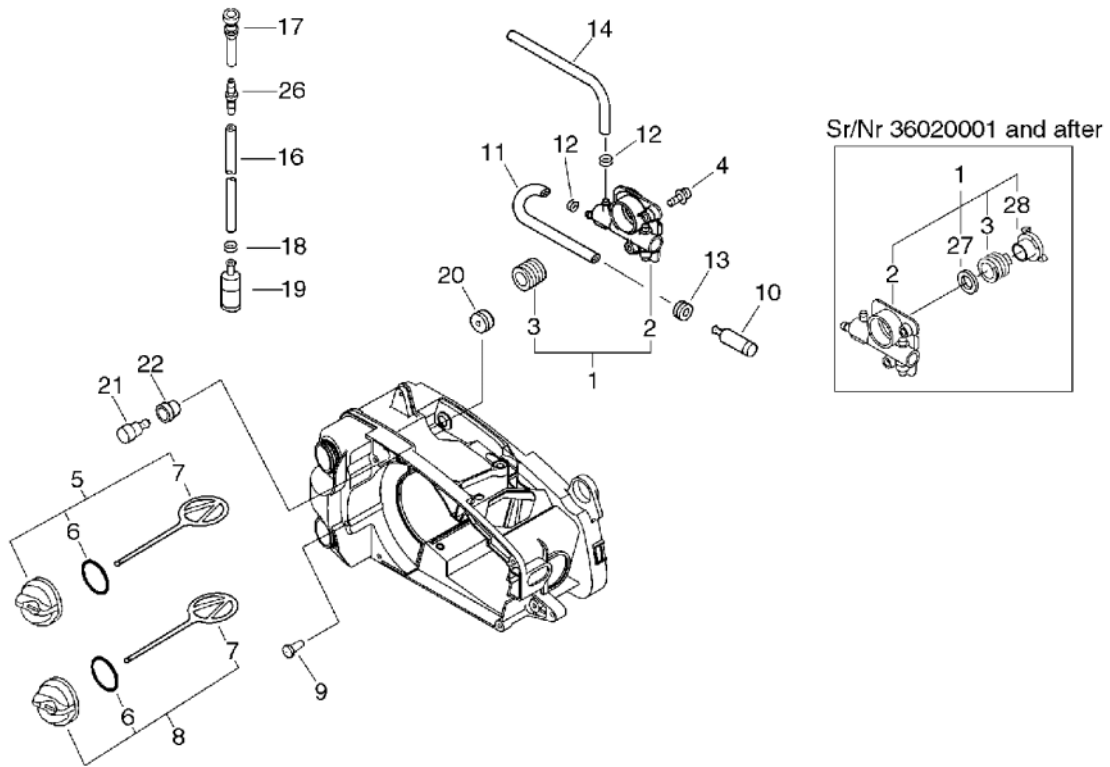
KEY	LV	PART NUMBER	Q'TY	DESCRIPTION	REMARKS	NOTE1	NOTE2
28	+	A507-000021	1	CATCHER,PAWL			
29	+	177236-61830	1	SCREW			
30		900256-04016	4	SCREW 4*16	4*16		
31		X502-000100	1	LABEL,ECHO		Sus. by X502-000101	
31		X502-000101	1	LABEL,ECHO			
32		X505-000180	1	LABEL,CAUTION			
33		X530-000210	1	LABEL,EYE CATCHER		Disuse	

7. Auto-Oiler



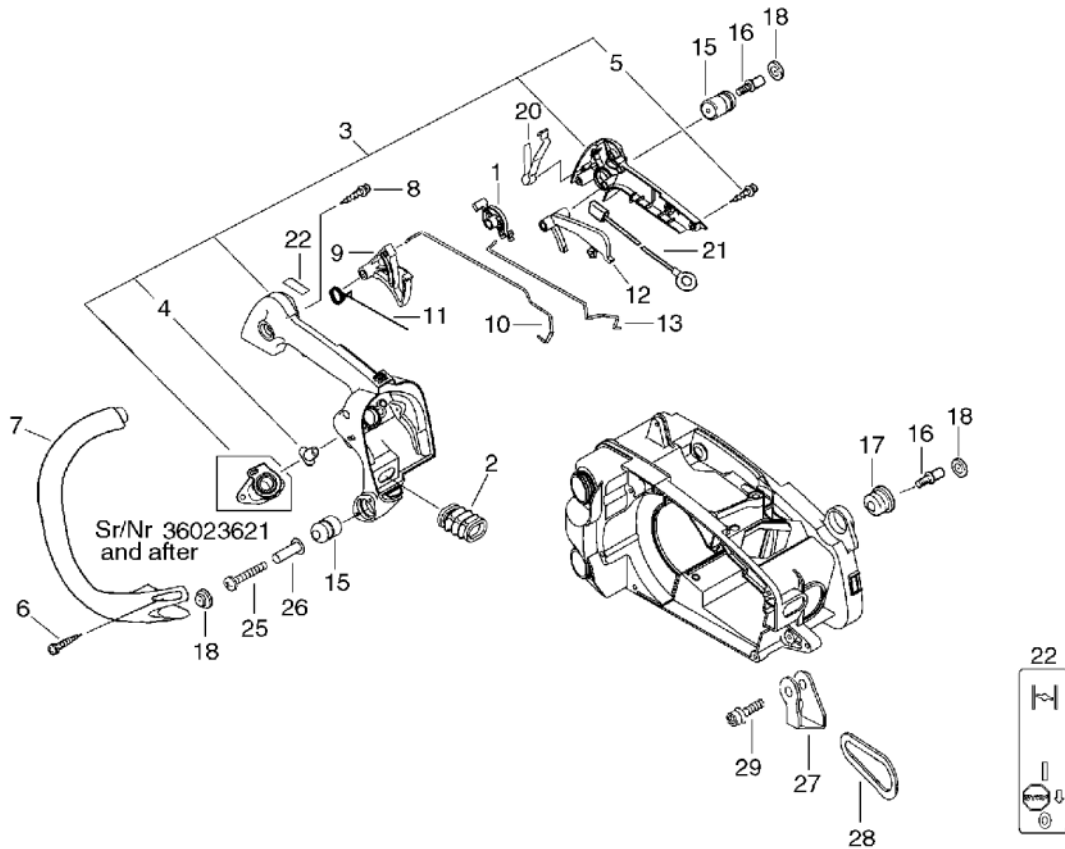
KEY	LV	PART NUMBER	Q'TY	DESCRIPTION	REMARKS	NOTE1	NOTE2
1		P021-001980	1	AUTO-OILER ASY		Sr/Nr 36018303 and before	
1		P021-010890	1	AUTO-OILER ASY		Sr/Nr 36020001 after	
2	+	C022-000000	1	OILER,ASM AUTO		Sr/Nr 36018303 and before	
2	+	C022-000020	1	AUTO-OILER ASSEMBLY		Sr/Nr 36020001 after	
3	+	V652-000010	1	GEAR,WORM		Sr/Nr 36018303 and before	
3	+	V652-000030	1	GEAR,WORM		Sr/Nr 36020001 after	
27	+	V308-000030	1	WASHER,CIRCULAR 11	10.5*17.4*1.8	Sr/Nr 36018303 and before	
28	+	V356-000290	1	COLLAR,10		Sr/Nr 36020001 after	
4		900238-04012	2	SCREW 4*12	4*12		
5		P021-005591	1	CAP ASY			
6	+	900720-00018	1	O-RING 18	P-18		
7	+	A365-000050	1	CONNECTOR,CAP			
8		P021-005581	1	OIL CAP ASY			
6	+	900720-00018	1	O-RING 18	P-18		
7	+	A365-000050	1	CONNECTOR,CAP			
9		436114-13930	1	VALVE, CHECK			
10		436205-02832	1	STRAINER, OIL			
11		V471-000740	1	PIPE			

7. Auto-Oiler



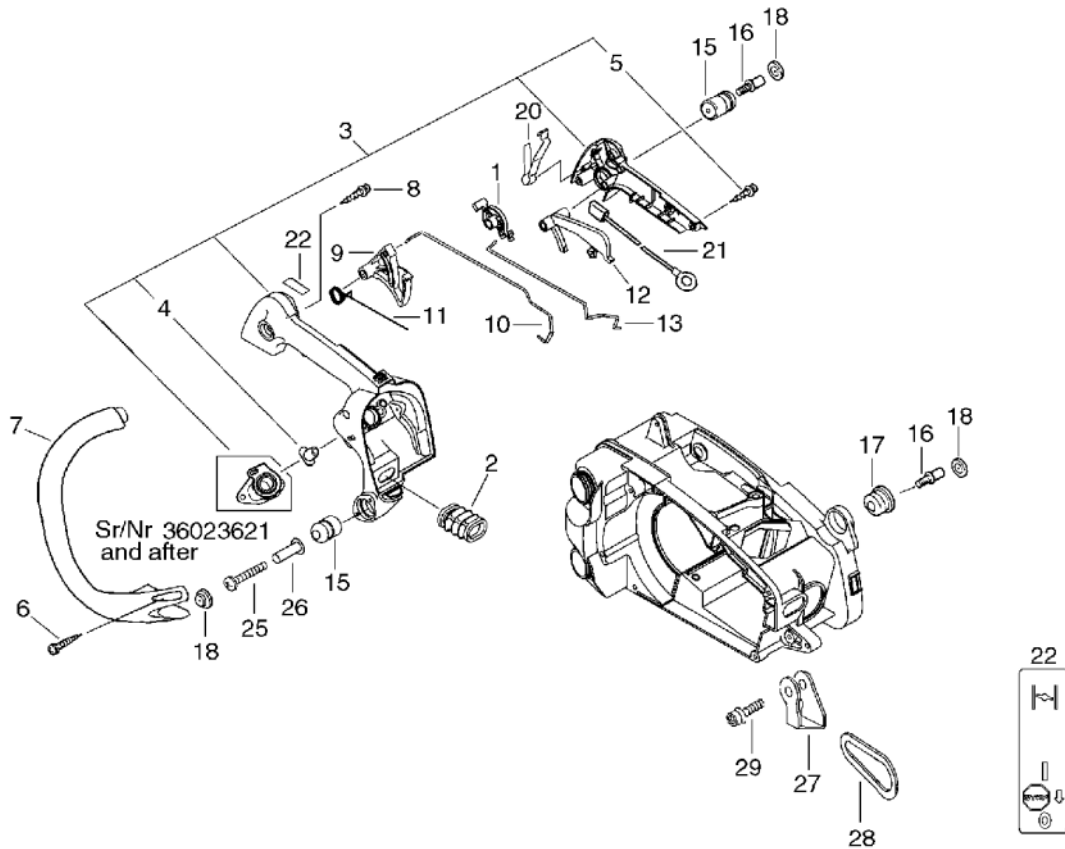
KEY	LV	PART NUMBER	Q'TY	DESCRIPTION	REMARKS	NOTE1	NOTE2
12		132013-26630	1	CLIP	6.5MM	Sr/Nr 36006933 and before	
12		132013-26630	2	CLIP	6.5MM	Sr/Nr 36006934 after	
13		132115-01461	1	GROMMET			
14		V471-000760	1	PIPE			
16		V471-000750	1	PIPE			
17		V470-000320	1	PIPE			
18		132013-09820	1	CLIP	6MM		
19		131205-14930	1	STRAINER,FUEL			
20		V137-000020	1	GROMMET,FUEL			
21		131300-56430	1	VALVE, CHECK			
22		V137-000000	1	GROMMET,FUEL			
26		V186-000020	1	JOINT,PIPE			

8. Handle



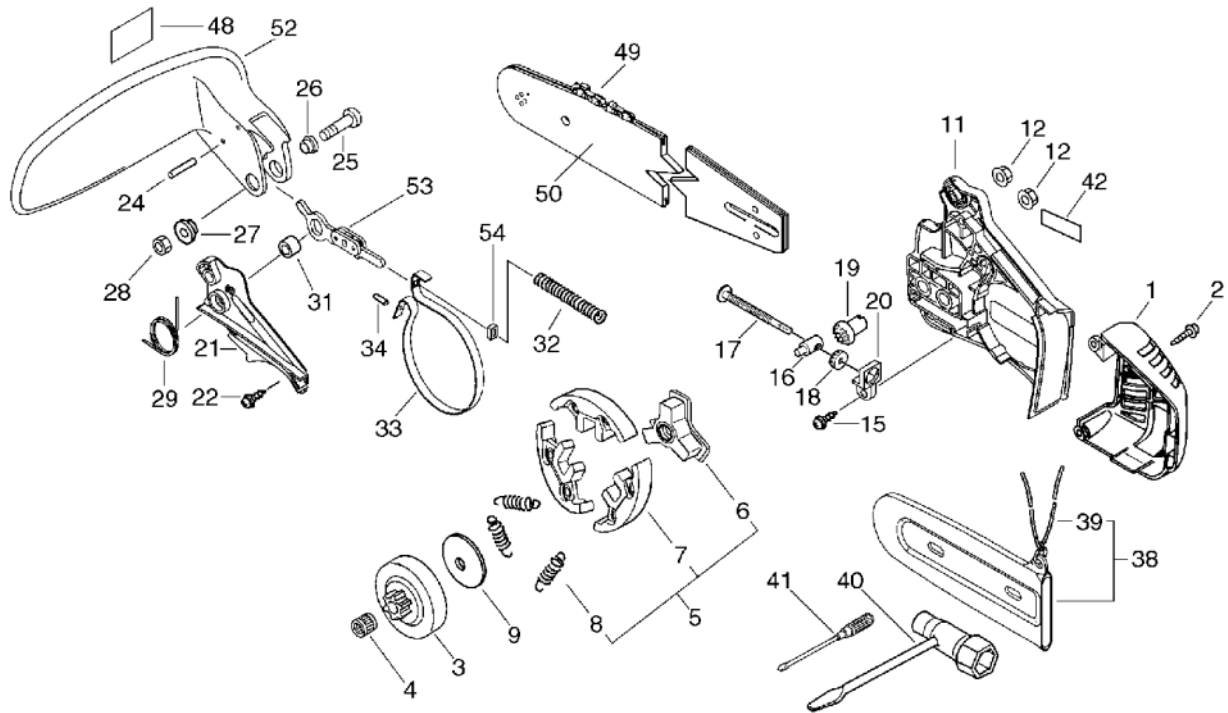
KEY	LV	PART NUMBER	Q'TY	DESCRIPTION	REMARKS	NOTE1	NOTE2
1		A253-000043	1	LEVER,CONTROL			
2		A239-000000	1	PIPE,INTAKE			
3		P021-004965	1	HANDLE SET, REAR		Sr/Nr 36023620 and before	
3		P021-004966	1	HANDLE SET, REAR		Sr/Nr 36023620 and before	
3		P021-004967	1	HANDLE SET, REAR		Sr/Nr 36023620 and before	
3		P021-004968	1	HANDLE SET, REAR		Sr/Nr 36023620 and before	
3		P021-004969	1	HANDLE SET, REAR		Sr/Nr 36023620 and before	
3		P021-011510	1	HANDLE, REAR		Sr/Nr 36023621 and after	
30	+	A202-000033	1	BELLOWS,INTAKE		Sr/Nr 36023621 and after	
4	+	130020-33330	2	NUT			
5	+	900256-04016	4	SCREW 4*16	4*16		
6		900256-04016	2	SCREW 4*16	4*16		
7		C400-000160	1	HANDLE,FRONT			
8		900253-05020	1	SCREW 5*20	5*20		
9		C450-000010	1	TRIGGER,THROTTLE			
10		C454-000070	1	ROD,THROTTLE			
11		V452-000010	1	SPRING,TORSION			
12		C460-000002	1	LOCKOUT,THROTTLE			

8. Handle



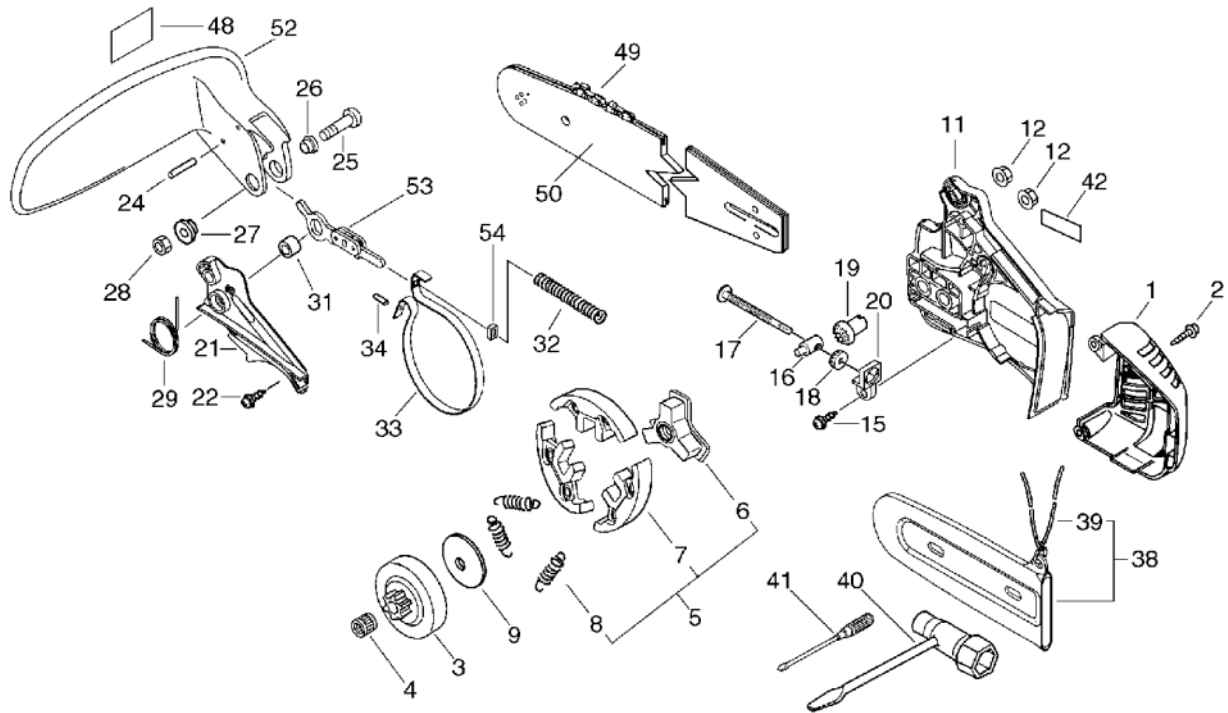
KEY	LV	PART NUMBER	Q'TY	DESCRIPTION	REMARKS	NOTE1	NOTE2
13		A240-000001	1	ROD,CHOKE		Sus. by A240-000010	
13		A240-000010	1	ROD,CHOKE			
15		V400-000020	2	CUSHION,4			
16		V202-000000	2	BOLT,4			
17		100910-18830	1	CUSHION			
18		100918-15130	3	CAP			
20		V486-000010	1	TERMINAL,LEAD			
21		V485-000340	1	LEAD			
22		X524-000910	1	LABEL			
25		91481-04035	1	SCREW TAPPING			
26		V352-000020	1	COLLAR,4			
27		C626-000040	1	FIXTURE,HARNESS			
28		C646-000040	1	RING,HARNESS			
29		900162-04025	1	BOLT, H.S. 4*25	4*25 W,SW		

9. Clutch, Sprocket, Tools(Sr/Nr 36024770 and before)



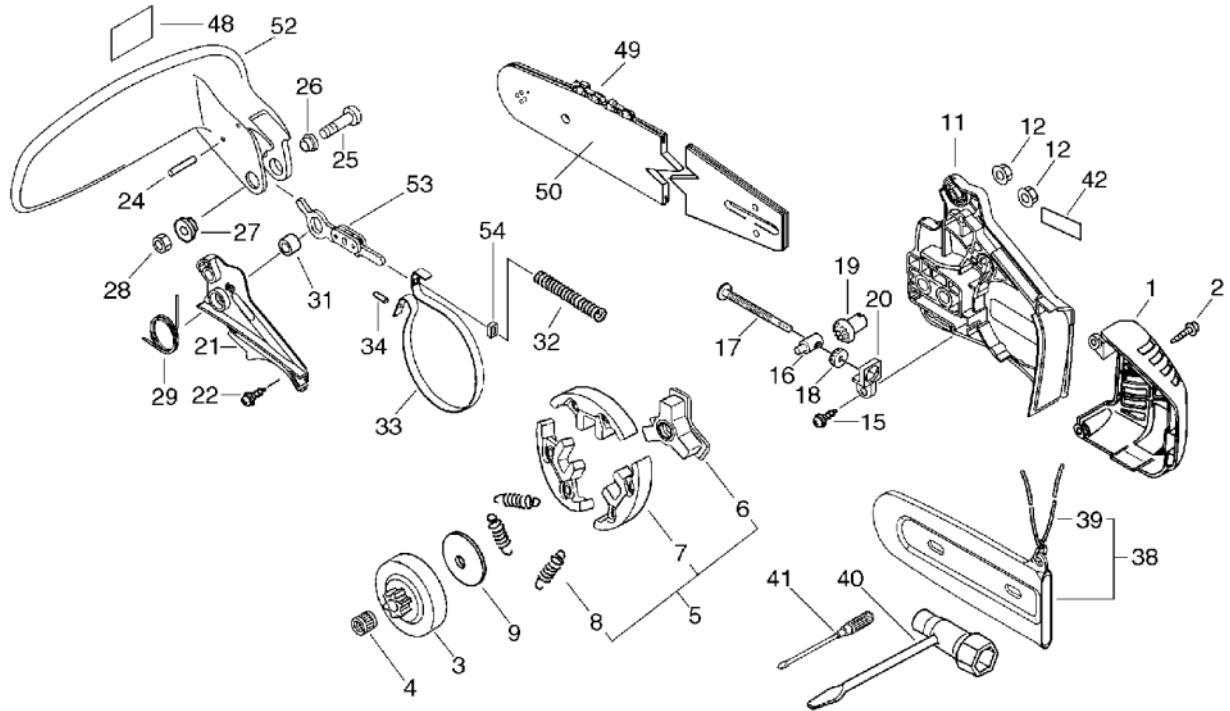
KEY	LV	PART NUMBER	Q'TY	DESCRIPTION	REMARKS	NOTE1	NOTE2
1		A320-000181	1	COVER,MUFFLER		Sus. by A320-000183	
1		A320-000182	1	COVER,MUFFLER		Sus. by A320-000183	
1		A320-000183	1	COVER,MUFFLER			
2		900253-04016	2	SCREW 4*16	4*16		
3		175005-39132	1	DRUM, CLUTCH	3/8A		
4		175012-35630	1	BEARING, NEEDLE	10*13*10		
5		A056-000070	1	CLUTCH			
6	+	A552-000020	1	HUB,CLUTCH			
7	+	P021-005810	1	CLUTCH SHOE SET			
8	+	V451-000470	3	SPRING,TENSION			
9		A551-000010	1	PLATE,CLUTCH			
10		175014-39130	1	WASHER, CLUTCH	10.2*25*1.2	Sus. by 175014-39131	
10		175014-39131	1	WASHER, CLUTCH	10.2*24.5*1.2	Sr/Nr 36018303 and before	
11		C300-000240	1	GUARD,SPROCKET		Sus. by C300-000241	
11		C300-000241	1	GUARD,SPROCKET			
12		433019-03933	2	NUT, FLANGE 6	6		
15		900253-04012	1	SCREW	4*12		
16		C309-000030	1	TENSIONER,CHAIN			
17		V203-000041	1	BOLT,5			
18		V651-000011	1	GEAR,BEVEL			
19		V651-000001	1	GEAR,BEVEL			

9. Clutch, Sprocket, Tools(Sr/Nr 36024770 and before)



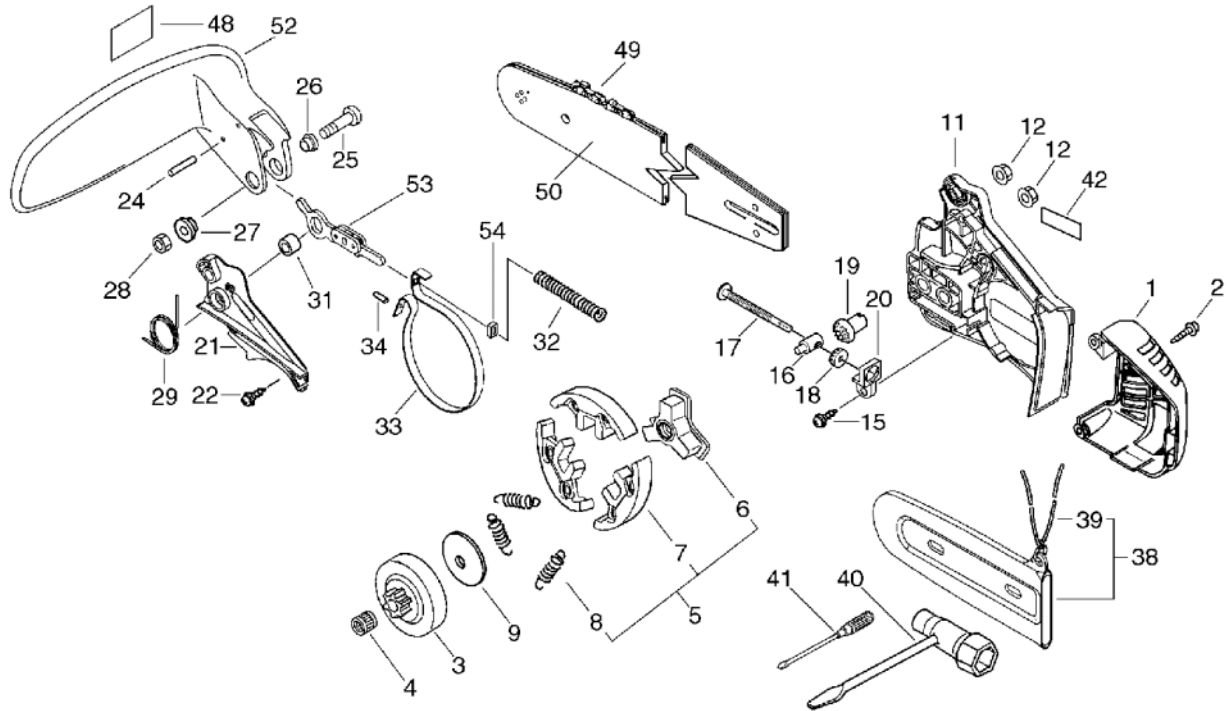
KEY	LV	PART NUMBER	Q'TY	DESCRIPTION	REMARKS	NOTE1	NOTE2
20		V355-000140	1	COLLAR,8			
21		C345-000082	1	COVER,BRAKE		Sus. by C345-000084	
21		C345-000083	1	COVER,BRAKE		Sus. by C345-000084	
21		C345-000084	1	COVER,BRAKE			
22		900253-04012	3	SCREW	4*12		
24		900330-30260	2	ROLLER 3*26	3*26		
25		91318-05032	1	SCREW	5*32		
26		433167-39130	1	SPACER			
27		V353-000060	1	COLLAR,5			
28		900560-00005	1	NUT, LOCK 5	5	Sus. by 900562-50005	
28		900562-50005	1	LOCKNUT 5	5		
29		V452-000110	1	SPRING,TORSION			
31		433116-35430	1	SPACER 8	8*12*9		
32		V450-000070	1	SPRING,COMPRESSION			
33		C328-000030	1	BAND,BRAKE			
34		93050-30098	1	ROLLER	F3*9.8		
38		P021-006951	1	SCABBARD,CHAIN	(ORANGE)	OPTION	
39	+	898568-14530	1	ROPE	5*900	OPTION	
40		895410-03930	1	WRENCH, W/S. DRIVER			
41		895812-03930	1	DRIVER, SCREW 50			
42		X502-000020	1	LABEL,ECHO		Sus. by X502-000340	

9. Clutch, Sprocket, Tools(Sr/Nr 36024770 and before)



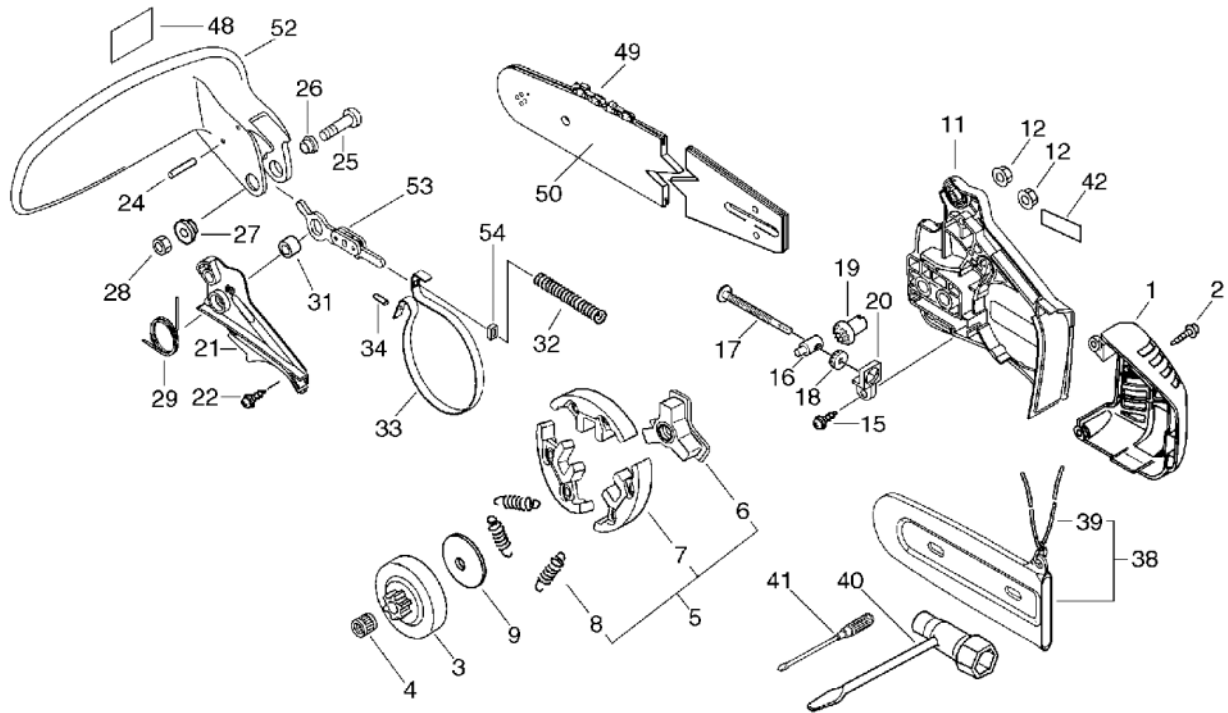
KEY	LV	PART NUMBER	Q'TY	DESCRIPTION	REMARKS	NOTE1	NOTE2
48		X505-000370	1	LABEL,CAUTION		Sus. by X505-002440	
49		431010-39230	1	CHAIN, SAW 91VG-47E	91VG-47E 30C	OPTION	
50		X122-000071	1	BAR,GUIDE30RC50M-3/8	30RC50M-3/8 ECHO	OPTION	
52		C320-000032	1	LEVER,BRAKE		Sus. by C320-000033	
53		C334-000060	1	CONNECTOR,BRAKE		Sus. by C334-000070	
53		C334-000070	1	CONNECTOR,BRAKE			
54		V376-000540	1	SPACER		Sr/Nr 36001760 and before	
54		V376-000450	1	SPACER		Sr/Nr 36001761 and after	

10. Clutch, Sprocket, Tools(Sr/Nr 36024771 and after)



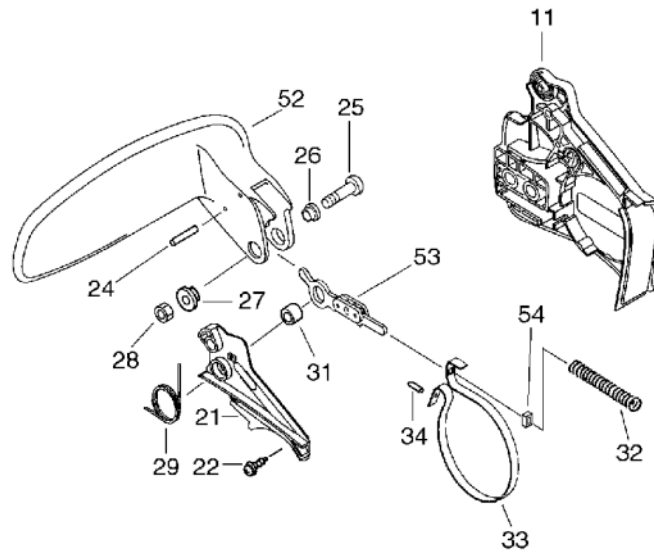
KEY	LV	PART NUMBER	Q'TY	DESCRIPTION	REMARKS	NOTE1	NOTE2
1		A320-000183	1	COVER,MUFFLER			
2		900253-04016	2	SCREW 4*16	4*16		
3		175005-39132	1	DRUM, CLUTCH	3/8A		
4		175012-00831	1	BEARING, NEEDLE			
5		A056-000070	1	CLUTCH			
6	+	A552-000020	1	HUB,CLUTCH			
7	+	P021-005810	1	CLUTCH SHOE SET			
8	+	V451-000470	3	SPRING,TENSION			
9		A551-000010	1	PLATE,CLUTCH			
11		C300-000242	1	GUARD,SPROCKET			
12		433019-03933	2	NUT, FLANGE 6	6		
15		900253-04012	1	SCREW	4*12		
16		C309-000030	1	TENSIONER,CHAIN			
17		V203-000041	1	BOLT,5			
18		V651-000011	1	GEAR,BEVEL			
19		V651-000001	1	GEAR,BEVEL			
20		V355-000140	1	COLLAR,8			
21		C345-000084	1	COVER,BRAKE			
22		900253-04012	3	SCREW	4*12		
24		900330-30260	2	ROLLER 3*26	3*26		
25		91318-05032	1	SCREW	5*32		
26		433167-39130	1	SPACER			
27		V353-000060	1	COLLAR,5			
28		900562-50005	1	LOCKNUT 5	5		
29		V452-000110	1	SPRING,TORSION			
31		433116-35430	1	SPACER 8	8*12*9		

10. Clutch, Sprocket, Tools(Sr/Nr 36024771 and after)



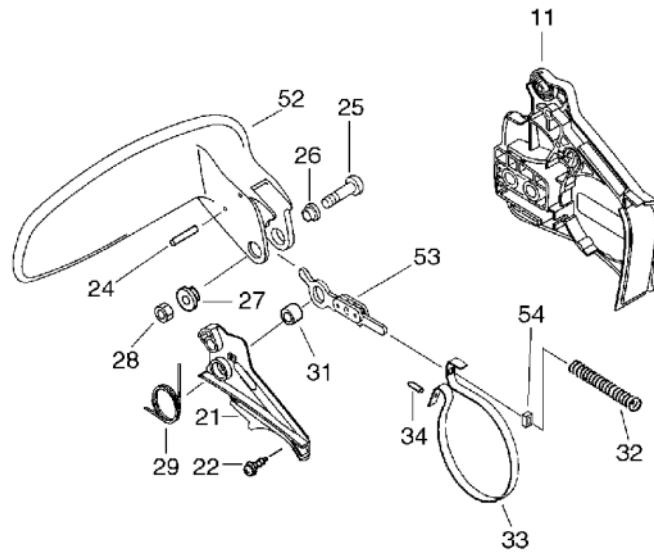
KEY	LV	PART NUMBER	Q'TY	DESCRIPTION	REMARKS	NOTE1	NOTE2
32		V450-000070	1	SPRING, COMPRESSION			
33		C328-000030	1	BAND, BRAKE			
34		93050-30098	1	ROLLER	F3*9.8		
38		P021-006951	1	SCABBARD, CHAIN	(ORANGE)		
39	+	898568-14530	1	ROPE	5*900		
40		895410-03930	1	WRENCH, W/S. DRIVER			
41		895812-03930	1	DRIVER, SCREW 50			
42		X502-000020	1	LABEL, ECHO		Sus. by X502-000340	
42		X502-000340	1	LABEL, ECHO	ECHO(WHITE)		
48		X505-000370	1	LABEL, CAUTION		Sus. by X505-002440	
49		431010-39230	1	CHAIN, SAW 91VG-47E	91VG-47E 30C		
50		X122-000071	1	BAR, GUIDE 30RC50M-3/8	30RC50M-3/8 ECHO		
52		C320-000032	1	LEVER, BRAKE		Sus. by C320-000033	
52		C320-000033	1	LEVER, BRAKE		Sus. by C320-000034	
53		C334-000070	1	CONNECTOR, BRAKE			
54		V376-000450	1	SPACER			

11. Chain Brake Assy(Sr/Nr 36024770 and before)



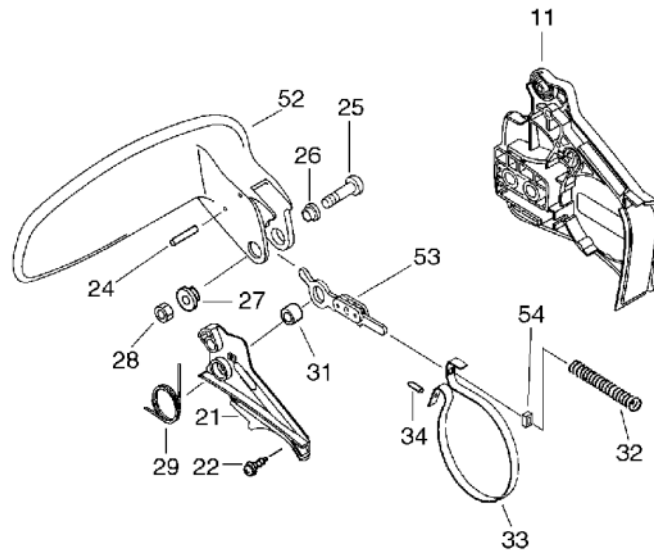
KEY	LV	PART NUMBER	Q'TY	DESCRIPTION	REMARKS	NOTE1	NOTE2
		C032-000200	1	BRAKE,ASM CHAIN		Sus. by C032-000203	
		C032-000201	1	BRAKE,ASM CHAIN		Sus. by C032-000203	
		C032-000202	1	BRAKE,ASM CHAIN		Sus. by C032-000203	
		C032-000203	1	BRAKE,ASM CHAIN		Sus. by C032-000204	
		C032-000204	1	BRAKE,ASM CHAIN		Sus. by C032-000205	
11	+	C300-000240	1	GUARD,SPROCKET		Sus. by C300-000241	
11	+	C300-000241	1	GUARD,SPROCKET		Sr/Nr 36028210 and before	
11	+	C300-000242	1	GUARD,SPROCKET		Sr/Nr 36028211 and after	
21	+	C345-000082	1	COVER,BRAKE		Sus. by C345-000084	
21	+	C345-000083	1	COVER,BRAKE		Sus. by C345-000084	
21	+	C345-000084	1	COVER,BRAKE			
22	+	900253-04012	3	SCREW	4*12		
24	+	900330-30260	2	ROLLER 3*26	3*26		
25	+	91318-05032	1	SCREW	5*32		
26	+	433167-39130	1	SPACER			
27	+	V353-000060	1	COLLAR,5			

11. Chain Brake Assy(Sr/Nr 36024770 and before)



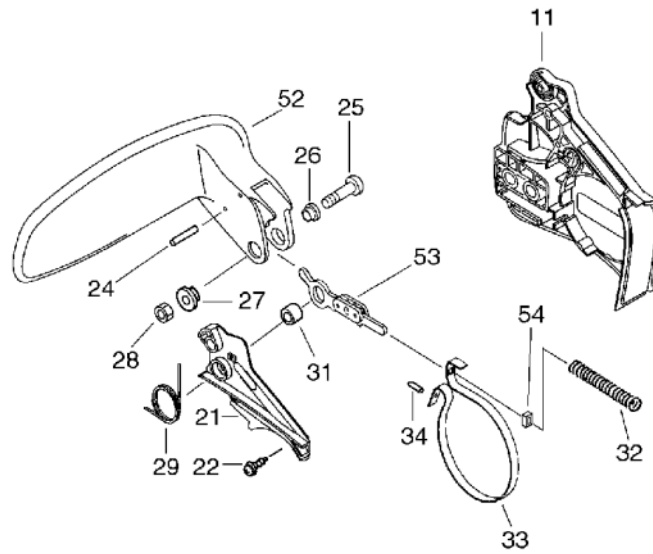
KEY	LV	PART NUMBER	Q'TY	DESCRIPTION	REMARKS	NOTE1	NOTE2
28	+	900560-00005	1	NUT, LOCK 5	5	Sus. by 900562-50005	
28	+	900562-50005	1	LOCKNUT 5	5		
29	+	V452-000110	1	SPRING, TORSION			
31	+	433116-35430	1	SPACER 8	8*12*9		
32	+	V450-000070	1	SPRING, COMPRESSION			
33	+	C328-000030	1	BAND, BRAKE			
34	+	93050-30098	1	ROLLER	F3*9.8		
52	+	C320-000032	1	LEVER, BRAKE		Sus. by C320-000033	
53	+	C334-000060	1	CONNECTOR, BRAKE		Sus. by C334-000070	
53	+	C334-000070	1	CONNECTOR, BRAKE			
54	+	V376-000540	1	SPACER		Sr/Nr 36001760 and before	
54	+	V376-000450	1	SPACER		Sr/Nr 36001761 and after	

12. Chain Brake Assy(Sr/Nr 36024771 and after)



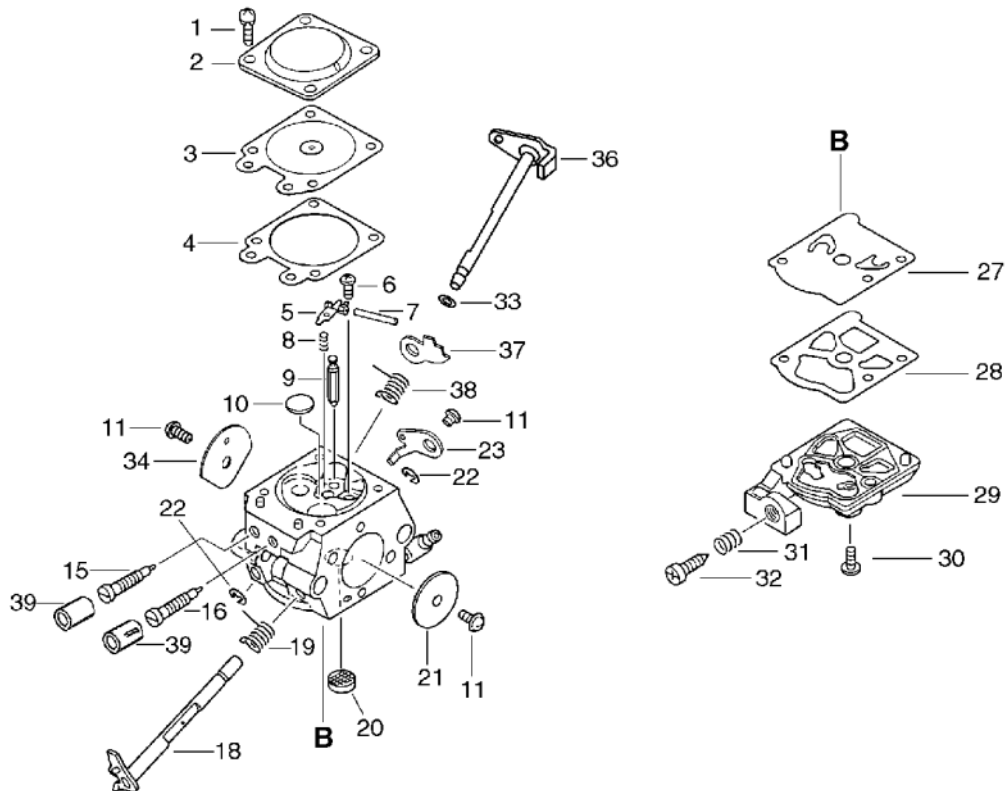
KEY	LV	PART NUMBER	Q'TY	DESCRIPTION	REMARKS	NOTE1	NOTE2
		C032-000203	1	BRAKE,ASM CHAIN		Sus. by C032-000204	
		C032-000204	1	BRAKE,ASM CHAIN		Sus. by C032-000205	
		C032-000205	1	BRAKE,ASM CHAIN		Sus. by C032-000206	
11	+	C300-000241	1	GUARD,SPROCKET		Sus. by C300-000242	
11	+	C300-000242	1	GUARD,SPROCKET			
21	+	C345-000084	1	COVER,BRAKE			
22	+	900253-04012	3	SCREW	4*12		
24	+	900330-30260	2	ROLLER 3*26	3*26		
25	+	91318-05032	1	SCREW	5*32		
26	+	433167-39130	1	SPACER			
27	+	V353-000060	1	COLLAR,5			
28	+	900562-50005	1	LOCKNUT 5	5		
29	+	V452-000110	1	SPRING,TORSION			
31	+	433116-35430	1	SPACER 8	8*12*9		
32	+	V450-000070	1	SPRING,COMPRESSION			
33	+	C328-000030	1	BAND,BRAKE			
34	+	93050-30098	1	ROLLER	F3*9.8		
52	+	C320-000032	1	LEVER,BRAKE		Sus. by C320-000033	
52	+	C320-000033	1	LEVER,BRAKE		Sus. by C320-000034	
53	+	C334-000070	1	CONNECTOR,BRAKE			

12. Chain Brake Assy(Sr/Nr 36024771 and after)



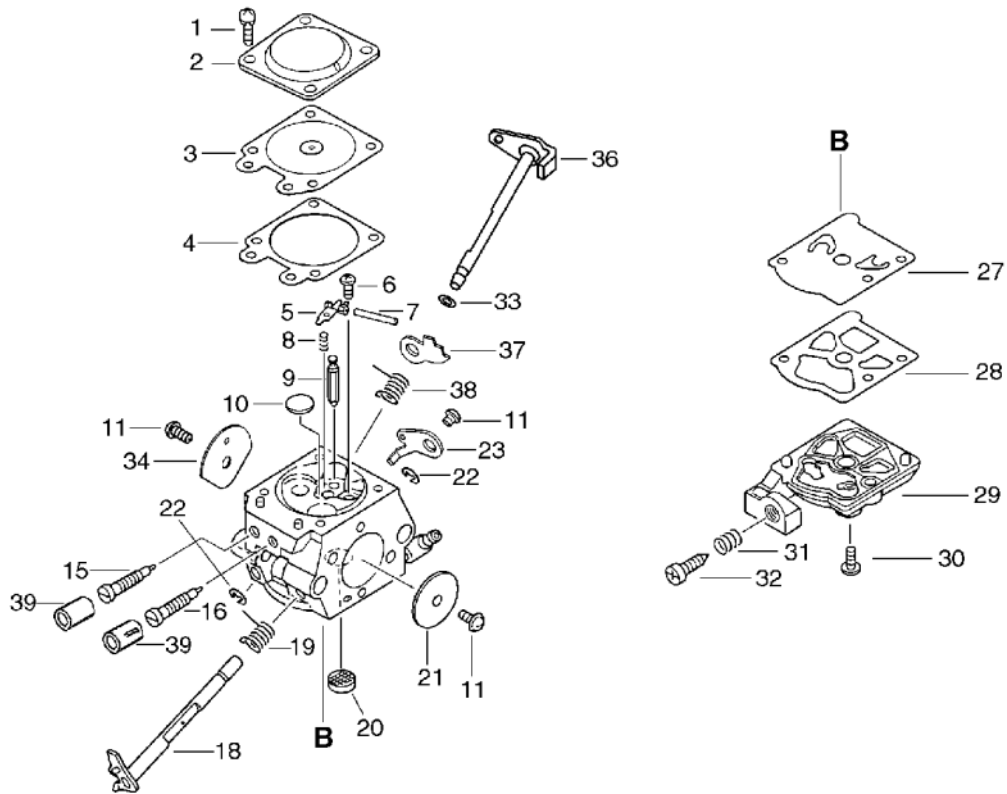
KEY	LV	PART NUMBER	Q'TY	DESCRIPTION	REMARKS	NOTE1	NOTE2
54	+	V376-000450	1	SPACER			

13. Carburetor(Sr/Nr 36010653 and before)



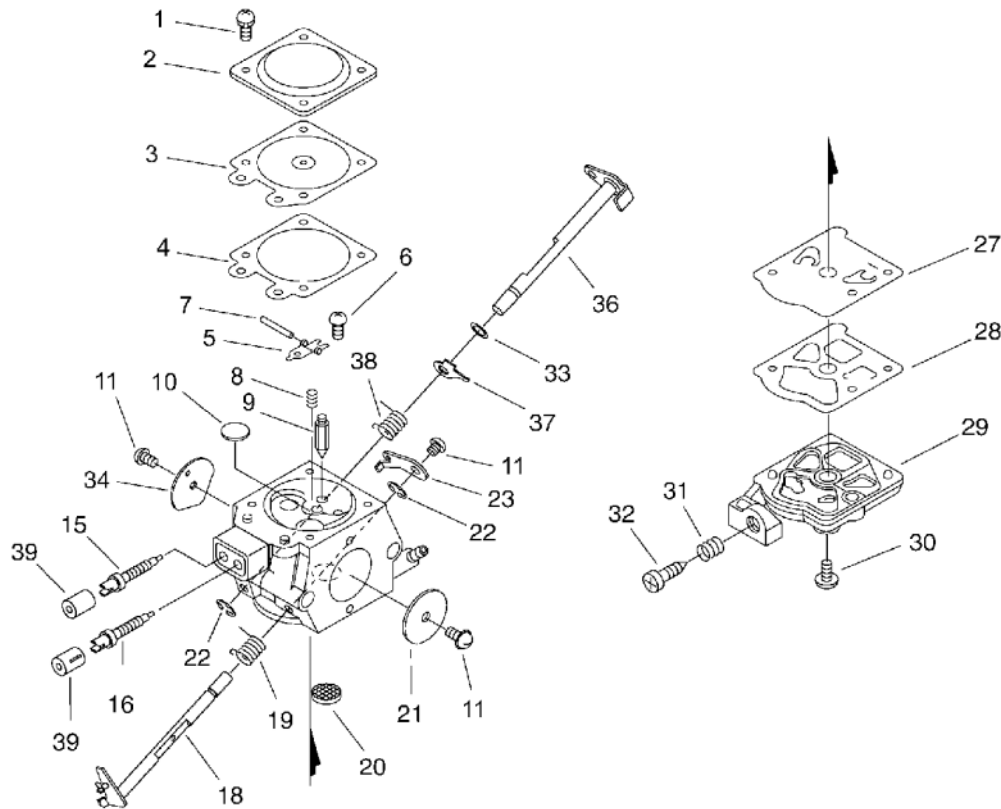
KEY	LV	PART NUMBER	Q'TY	DESCRIPTION	REMARKS	NOTE1	NOTE2
		A021-000850	1	CARBURETOR,DIAPHRAGM	WT-699	Sus. by A021-000851	
		A021-000851	1	CARBURETOR,DIAPHRAGM	WT-699A	Sr/Nr 36010653 and before	
1	+	123130-02960	4	SCREW			
2	+	123142-03930	1	COVER, M. DIAPHRAGM			
3	+	123141-03930	1	DIAPHRAGM, METERING			
4	+	123140-03930	1	GASKET, M. DIAPHRAGM			
5	+	123123-03930	1	LEVER, METERING			
6	+	123139-03930	1	SCREW, M. LEVER PIN			
7	+	123138-03930	1	PIN, METERING LEVER			
8	+	123122-03660	1	SPRING, METER. LEVER			
9	+	123137-19830	1	VALVE, INLET NEEDLE			
10	+	123146-10631	1	PLUG, WELCH			
11	+	123114-38830	3	SCREW			
15	+	123118-39231	1	NEEDLE, IDLE			
16	+	123118-02261	1	NEEDLE			
18	+	P003-000480	1	SHAFT, THROTTLE			
19	+	123113-37530	1	SPRING, THROTTLE RTN			
20	+	123126-10631	1	SCREEN, INLET			
21	+	123116-03930	1	VALVE, THROTTLE		Sr/Nr 36007533 and before	
21	+	123116-10530	1	VALVE, THROTTLE		Sr/Nr 36007534 to 36010653	
22	+	123127-15030	2	RING			

13. Carburetor(Sr/Nr 36010653 and before)



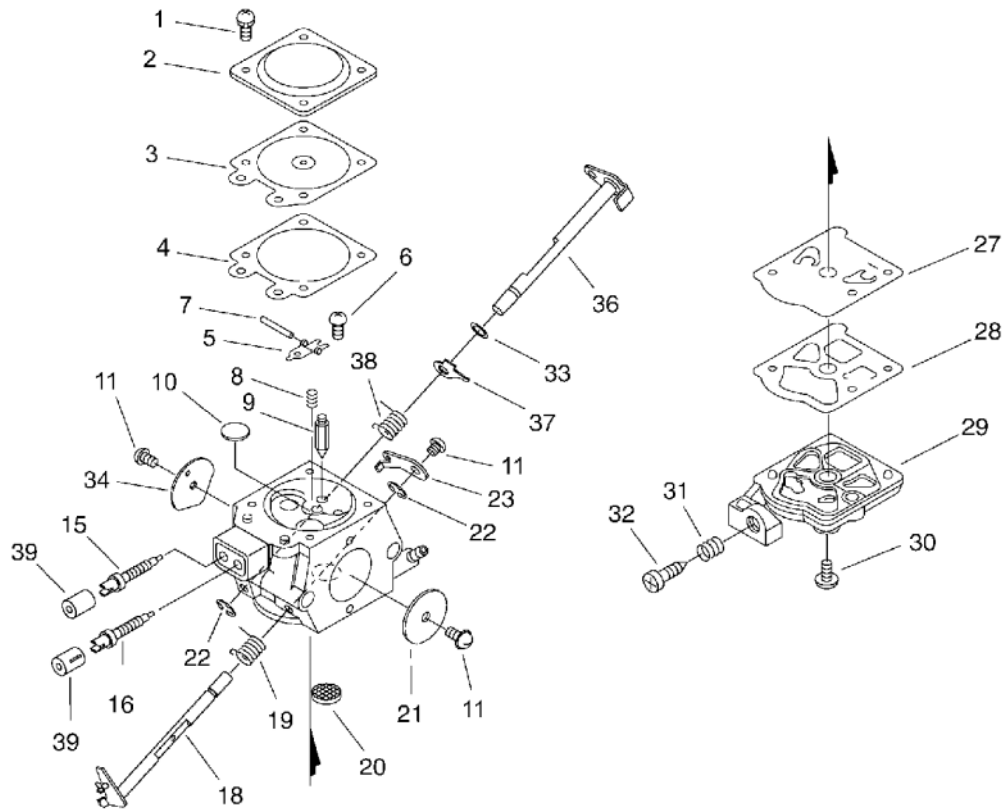
KEY	LV	PART NUMBER	Q'TY	DESCRIPTION	REMARKS	NOTE1	NOTE2
23	+	P003-000380	1	THROTTLE, LEVER			
27	+	123112-15030	1	DIAPHRAGM, FUEL PUMP			
28	+	123125-15030	1	GASKET, FUEL PUMP			
29	+	123124-24430	1	COVER, FUEL PUMP			
30	+	123110-03930	1	SCREW, PUMP COVER			
31	+	123133-04260	1	SPRING, IDLE ADJUST			
32	+	123134-04260	1	SCREW, IDLE ADJUST			
33	+	123149-26030	1	WASHER			
34	+	123132-37330	1	VALVE, CHOKE			
36	+	P003-001140	1	SHAFT, CHOKE			
37	+	P003-000160	1	LEVER-FAST IDLE		Sr/Nr 36007533 and before	
37	+	P003-001480	1	LEVER-FAST IDLE		Sr/Nr 36007534 to 36010653	
38	+	P003-000140	1	SPRING		Sr/Nr 36007533 and before	
38	+	P003-001470	1	SPRING		Sr/Nr 36007534 to 36010653	
39	+	P003-000010	2	LIMITER CAP			

14. Carburetor(Sr/Nr 36010654 and after)



KEY	LV	PART NUMBER	Q'TY	DESCRIPTION	REMARKS	NOTE1	NOTE2
		A021-000861	1	CARBURETOR,DIAPHRAGM	WT-698A	Sus. by A021-000862	
		A021-000862	1	CARBURETOR,DIAPHRAGM	WT-698A	Sr/Nr 36010654 and after	
1	+	123130-02960	4	SCREW			
2	+	123142-03930	1	COVER, M. DIAPHRAGM			
3	+	123141-03930	1	DIAPHRAGM, METERING			
4	+	123140-03930	1	GASKET, M. DIAPHRAGM			
5	+	123123-03930	1	LEVER, METERING			
6	+	123139-03930	1	SCREW, M. LEVER PIN			
7	+	123138-03930	1	PIN, METERING LEVER			
8	+	123122-39830	1	SPRING, METER. LEVER			
9	+	123137-19830	1	VALVE, INLET NEEDLE			
10	+	123146-10631	1	PLUG, WELCH			
11	+	123114-38830	3	SCREW			
15	+	123118-02261	1	NEEDLE			
16	+	123120-52131	1	NEEDLE, HIGH SPEED			
18	+	P003-000480	1	SHAFT, THROTTLE			
19	+	123113-37530	1	SPRING, THROTTLE RTN			
20	+	123126-10631	1	SCREEN, INLET			
21	+	123116-10530	1	VALVE, THROTTLE			
22	+	123127-15030	2	RING			
23	+	P003-000380	1	THROTTLE, LEVER			
27	+	123112-15030	1	DIAPHRAGM, FUEL PUMP			
28	+	123125-15030	1	GASKET, FUEL PUMP			
29	+	123124-24430	1	COVER, FUEL PUMP			

14. Carburetor(Sr/Nr 36010654 and after)



KEY	LV	PART NUMBER	Q'TY	DESCRIPTION	REMARKS	NOTE1	NOTE2
30	+	123110-03930	1	SCREW, PUMP COVER			
31	+	123133-04260	1	SPRING, IDLE ADJUST			
32	+	123134-04260	1	SCREW, IDLE ADJUST			
33	+	123149-26030	1	WASHER			
34	+	123132-35430	1	VALVE, CHOKE			
36	+	P003-001140	1	SHAFT, CHOKE			
37	+	P003-001480	1	LEVER-FAST IDLE		Sus. by P003-001510	
37	+	P003-001510	1	LEVER-FAST IDLE			
38	+	P003-001470	1	SPRING			
39	+	P003-000010	2	LIMITER CAP			

Index

Patrs Number	Key No.	Patrs Number	Key No.	Patrs Number	Key No.
100011-13330	1 - 4	123138-03930	14 - 7	433019-03933	9 - 12
100013-15330	1 - 5	123139-03930	13 - 6	433026-35430	1 - 36
100013-15330	2 - 5	123139-03930	14 - 6	433026-35430	2 - 36
100014-60930	1 - 7	123140-03930	13 - 4	433116-35430	10 - 31
100014-60930	2 - 7	123140-03930	14 - 4	433116-35430	11 - 31
100015-04630	1 - 6	123141-03930	13 - 3	433116-35430	12 - 31
100015-04630	2 - 6	123141-03930	14 - 3	433116-35430	9 - 31
100142-12330	1 - 30	123142-03930	13 - 2	433167-39130	10 - 26
100142-12330	2 - 30	123142-03930	14 - 2	433167-39130	11 - 26
100910-18830	8 - 17	123146-10631	13 - 10	433167-39130	12 - 26
100918-15130	8 - 18	123146-10631	14 - 10	433167-39130	9 - 26
123110-03930	13 - 30	123149-26030	13 - 33	436114-13930	7 - 9
123110-03930	14 - 30	123149-26030	14 - 33	436205-02832	7 - 10
123112-15030	13 - 27	130020-33330	8 - 4	895410-03930	10 - 40
123112-15030	14 - 27	131205-14930	7 - 19	895410-03930	9 - 40
123113-37530	13 - 19	131300-56430	7 - 21	895812-03930	10 - 41
123113-37530	14 - 19	132013-09820	7 - 18	895812-03930	9 - 41
123114-38830	13 - 11	132013-26630	7 - 12	898568-14530	10 - 39
123114-38830	14 - 11	132013-26630	7 - 12	898568-14530	9 - 39
123116-03930	13 - 21	132115-01461	7 - 13	900105-05014	5 - 7
123116-10530	13 - 21	145510-13931	3 - 4	900106-05020	1 - 19
123116-10530	14 - 21	145510-13931	4 - 4	900106-05020	1 - 19
123118-02261	13 - 16	150117-16430	5 - 10	900106-05020	2 - 19
123118-02261	14 - 15	150117-16430	6 - 10	900106-05030	1 - 24
123118-39231	13 - 15	156110-04920	5 - 13	900106-05030	2 - 24
123120-52131	14 - 16	156110-04920	6 - 13	900162-04025	8 - 29
123122-03660	13 - 8	159010-10230	5 - 14	900162-05025	1 - 2
123122-39830	14 - 8	159010-10230	6 - 14	900162-05025	2 - 2
123123-03930	13 - 5	162010-55930	5 - 11	900238-04012	7 - 4
123123-03930	14 - 5	162010-55930	6 - 11	900238-05022	5 - 9
123124-24430	13 - 29	163911-30130	1 - 22	900238-05022	6 - 9
123124-24430	14 - 29	163911-30130	2 - 22	900238-05050	3 - 10
123125-15030	13 - 28	175005-39132	10 - 3	900238-05050	4 - 10
123125-15030	14 - 28	175005-39132	9 - 3	900250-04008	3 - 7
123126-10631	13 - 20	175012-00831	10 - 4	900250-04008	4 - 7
123126-10631	14 - 20	175012-35630	9 - 4	900253-04010	1 - 18
123127-15030	13 - 22	175014-39130	9 - 10	900253-04010	2 - 18
123127-15030	14 - 22	175014-39131	9 - 10	900253-04012	10 - 15
123130-02960	13 - 1	177234-35430	5 - 3	900253-04012	10 - 22
123130-02960	14 - 1	177234-35430	6 - 3	900253-04012	1 - 21
123132-35430	14 - 34	177236-61830	5 - 29	900253-04012	11 - 22
123132-37330	13 - 34	177236-61830	6 - 29	900253-04012	12 - 22
123133-04260	13 - 31	177247-04630	5 - 5	900253-04012	2 - 21
123133-04260	14 - 31	177247-04630	6 - 5	900253-04012	9 - 15
123134-04260	13 - 32	431010-39230	10 - 49	900253-04012	9 - 22
123134-04260	14 - 32	431010-39230	9 - 49	900253-04016	10 - 2
123137-19830	13 - 9	433011-03931	1 - 17	900253-04016	9 - 2
123137-19830	14 - 9	433011-03931	2 - 17	900253-05020	1 - 26
123138-03930	13 - 7	433019-03933	10 - 12	900253-05020	1 - 28

Index

Patrs Number	Key No.	Patrs Number	Key No.	Patrs Number	Key No.
900253-05020	2 - 26	A051-000790	5 - 20	A507-000021	5 - 28
900253-05020	2 - 28	A051-000791	5 - 20	A507-000021	6 - 28
900253-05020	8 - 8	A051-000792	5 - 20	A514-000020	5 - 4
900256-04016	5 - 30	A051-000792	6 - 20	A514-000020	6 - 4
900256-04016	6 - 30	A056-000070	10 - 5	A551-000010	10 - 9
900256-04016	8 - 5	A056-000070	9 - 5	A551-000010	9 - 9
900256-04016	8 - 6	A101-000120	1 - 4	A552-000020	10 - 6
900330-30260	10 - 24	A101-000120	2 - 4	A552-000020	9 - 6
900330-30260	11 - 24	A127-000050	1 - 20	C022-000000	7 - 2
900330-30260	12 - 24	A127-000050	2 - 20	C022-000020	7 - 2
900330-30260	9 - 24	A172-000500	5 - 18	C032-000200	11 -
900515-00008	5 - 2	A172-000501	5 - 18	C032-000201	11 -
900515-00008	6 - 2	A172-000501	6 - 18	C032-000202	11 -
900560-00005	11 - 28	A202-000032	1 - 31	C032-000203	11 -
900560-00005	9 - 28	A202-000033	8 - 30	C032-000203	12 -
900562-50005	10 - 28	A204-000040	3 - 9	C032-000204	11 -
900562-50005	11 - 28	A204-000041	3 - 9	C032-000204	12 -
900562-50005	12 - 28	A204-000041	4 - 9	C032-000205	12 -
900562-50005	9 - 28	A226-000180	3 - 12	C300-000240	11 - 11
900603-00005	5 - 6	A226-000180	4 - 12	C300-000240	9 - 11
900603-00005	6 - 6	A232-000160	3 - 13	C300-000241	11 - 11
900720-00018	7 - 6	A232-000160	4 - 13	C300-000241	12 - 11
900720-00018	7 - 6	A235-000040	3 - 14	C300-000241	9 - 11
900724-00004	1 - 25	A235-000040	4 - 14	C300-000242	10 - 11
900724-00004	2 - 25	A239-000000	8 - 2	C300-000242	11 - 11
91107-05040	3 - 6	A240-000001	8 - 13	C300-000242	12 - 11
91107-05040	4 - 6	A240-000010	8 - 13	C304-000000	1 - 27
91318-05032	10 - 25	A253-000043	8 - 1	C304-000000	2 - 27
91318-05032	11 - 25	A300-000370	3 - 2	C305-000070	1 - 15
91318-05032	12 - 25	A300-000370	4 - 2	C305-000080	1 - 15
91318-05032	9 - 25	A301-000000	3 - 5	C305-000080	2 - 15
91420-05012	1 - 34	A301-000000	4 - 5	C309-000030	10 - 16
91420-05012	2 - 34	A320-000181	9 - 1	C309-000030	9 - 16
91481-04035	8 - 25	A320-000182	9 - 1	C320-000032	10 - 52
93050-30098	10 - 34	A320-000183	10 - 1	C320-000032	11 - 52
93050-30098	11 - 34	A320-000183	9 - 1	C320-000032	12 - 52
93050-30098	12 - 34	A365-000050	7 - 7	C320-000032	9 - 52
93050-30098	9 - 34	A365-000050	7 - 7	C320-000033	10 - 52
94035-36201	1 - 10	A409-000170	5 - 1	C320-000033	12 - 52
94035-36201	2 - 10	A409-000170	6 - 1	C328-000030	10 - 33
A021-000850	13 -	A411-000150	5 - 8	C328-000030	11 - 33
A021-000850	3 - 8	A411-000150	6 - 8	C328-000030	12 - 33
A021-000851	13 -	A426-000010	5 - 15	C328-000030	9 - 33
A021-000851	3 - 8	A426-000010	6 - 15	C334-000060	11 - 53
A021-000861	14 -	A427-000012	5 - 16	C334-000060	9 - 53
A021-000861	3 - 8	A427-000012	6 - 16	C334-000070	10 - 53
A021-000862	14 -	A506-000030	5 - 26	C334-000070	11 - 53
A021-000862	3 - 8	A506-000030	6 - 26	C334-000070	12 - 53
A021-000862	4 - 8	A507-000020	5 - 28	C334-000070	9 - 53

Index

Patrs Number	Key No.	Patrs Number	Key No.	Patrs Number	Key No.
C345-000082	11 - 21	P021-006951	9 - 38	V376-000450	11 - 54
C345-000082	9 - 21	P021-008650	3 - 3	V376-000450	12 - 54
C345-000083	11 - 21	P021-008650	4 - 3	V376-000450	9 - 54
C345-000083	9 - 21	P021-008670	1 - 23	V376-000540	11 - 54
C345-000084	10 - 21	P021-008671	1 - 23	V376-000540	9 - 54
C345-000084	11 - 21	P021-008672	1 - 23	V400-000020	8 - 15
C345-000084	12 - 21	P021-008673	1 - 23	V450-000070	10 - 32
C345-000084	9 - 21	P021-008674	1 - 23	V450-000070	11 - 32
C400-000160	8 - 7	P021-008675	1 - 23	V450-000070	12 - 32
C450-000010	8 - 9	P021-008675	2 - 23	V450-000070	9 - 32
C454-000070	8 - 10	P021-009230	1 - 3	V451-000470	10 - 8
C460-000002	8 - 12	P021-009230	2 - 3	V451-000470	9 - 8
C626-000040	8 - 27	P021-009250	1 - 1	V452-000010	8 - 11
C646-000040	8 - 28	P021-009250	2 - 1	V452-000110	10 - 29
P003-000010	13 - 39	P021-009930	4 - 1	V452-000110	11 - 29
P003-000010	14 - 39	P021-010700	1 - 9	V452-000110	12 - 29
P003-000140	13 - 38	P021-010701	1 - 9	V452-000110	9 - 29
P003-000160	13 - 37	P021-010701	2 - 9	V452-000220	5 - 27
P003-000380	13 - 23	P021-010890	7 - 1	V452-000220	6 - 27
P003-000380	14 - 23	P021-011510	8 - 3	V470-000320	7 - 17
P003-000480	13 - 18	P022-001330	5 - 24	V470-000481	1 - 35
P003-000480	14 - 18	P022-001330	6 - 24	V470-000481	2 - 35
P003-001140	13 - 36	P022-005890	5 - 23	V471-000740	7 - 11
P003-001140	14 - 36	P022-005890	6 - 23	V471-000750	7 - 16
P003-001470	13 - 38	P022-008440	5 - 25	V471-000760	7 - 14
P003-001470	14 - 38	P022-008440	6 - 25	V475-002390	5 - 17
P003-001480	13 - 37	P022-008770	5 - 21	V475-002390	5 - 17
P003-001480	14 - 37	P022-008771	5 - 21	V475-002390	6 - 17
P003-001510	14 - 37	P022-008771	6 - 21	V485-000140	5 - 12
P021-001980	7 - 1	V137-000000	7 - 22	V485-000140	6 - 12
P021-004921	1 - 1	V137-000020	7 - 20	V485-000340	8 - 21
P021-004931	1 - 3	V186-000020	7 - 26	V486-000010	8 - 20
P021-004932	1 - 3	V202-000000	8 - 16	V505-000010	1 - 11
P021-004940	1 - 9	V203-000041	10 - 17	V505-000010	2 - 11
P021-004941	1 - 9	V203-000041	9 - 17	V553-000040	1 - 8
P021-004952	3 - 1	V203-000080	5 - 7	V553-000040	2 - 8
P021-004952	4 - 1	V203-000080	6 - 7	V651-000001	10 - 19
P021-004965	8 - 3	V308-000030	7 - 27	V651-000001	9 - 19
P021-004966	8 - 3	V352-000020	8 - 26	V651-000011	10 - 18
P021-004967	8 - 3	V353-000060	10 - 27	V651-000011	9 - 18
P021-004968	8 - 3	V353-000060	11 - 27	V652-000010	1 - 12
P021-004969	8 - 3	V353-000060	12 - 27	V652-000010	2 - 12
P021-005511	1 - 9	V353-000060	9 - 27	V652-000010	7 - 3
P021-005512	1 - 9	V355-000140	10 - 20	V652-000030	7 - 3
P021-005581	7 - 8	V355-000140	9 - 20	X122-000071	10 - 50
P021-005591	7 - 5	V356-000290	7 - 28	X122-000071	9 - 50
P021-005810	10 - 7	V359-000060	1 - 32	X502-000020	10 - 42
P021-005810	9 - 7	V359-000060	2 - 32	X502-000020	9 - 42
P021-006951	10 - 38	V376-000450	10 - 54	X502-000100	5 - 31

Index

Patrs Number	Key No.	Patrs Number	Key No.	Patrs Number	Key No.
X502-000100	6 - 31				
X502-000101	6 - 31				
X502-000130	5 - 31				
X502-000340	10 - 42				
X503-006190	3 - 15				
X503-006190	4 - 15				
X505-000180	5 - 32				
X505-000180	6 - 32				
X505-000370	10 - 48				
X505-000370	9 - 48				
X524-000910	8 - 22				
X530-000210	6 - 33				

YAMABIKO CORPORATION

7-2 SUEHIROCHO 1-CHOME, OHME, TOKYO 198-8760, JAPAN
PHONE: 81-428-32-6118. FAX: 81-428-32-6145.

