

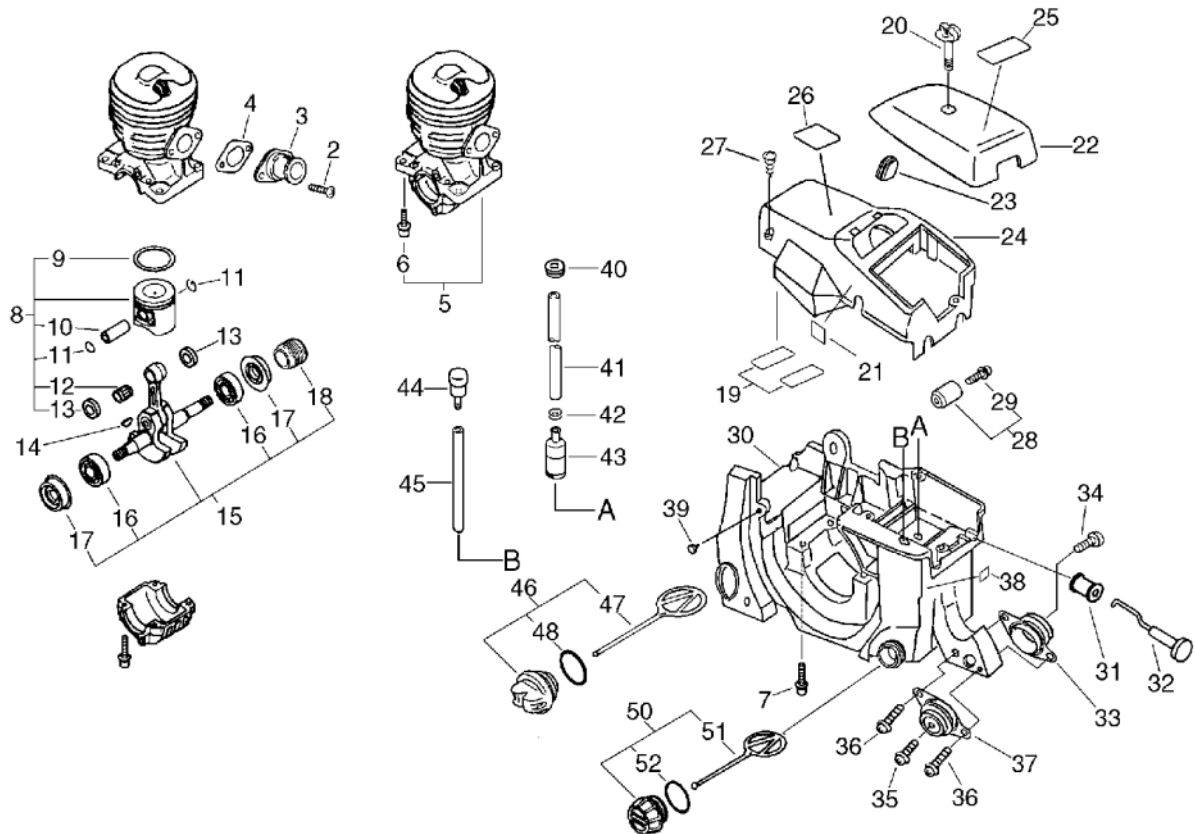


PARTS CATALOGUE

CHAIN SAW CS-3501(36)

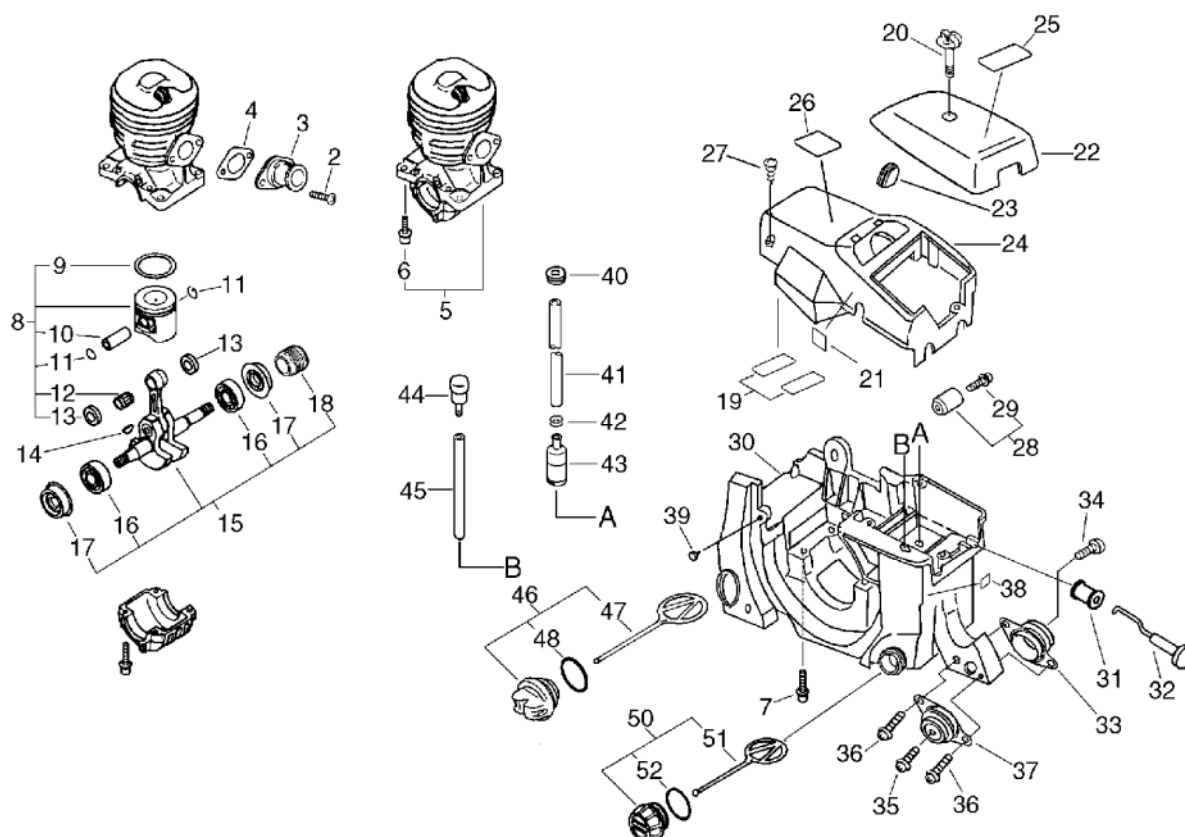
36002111 - 36002475

1. CYLINDER, CRANKCASE, PISTON



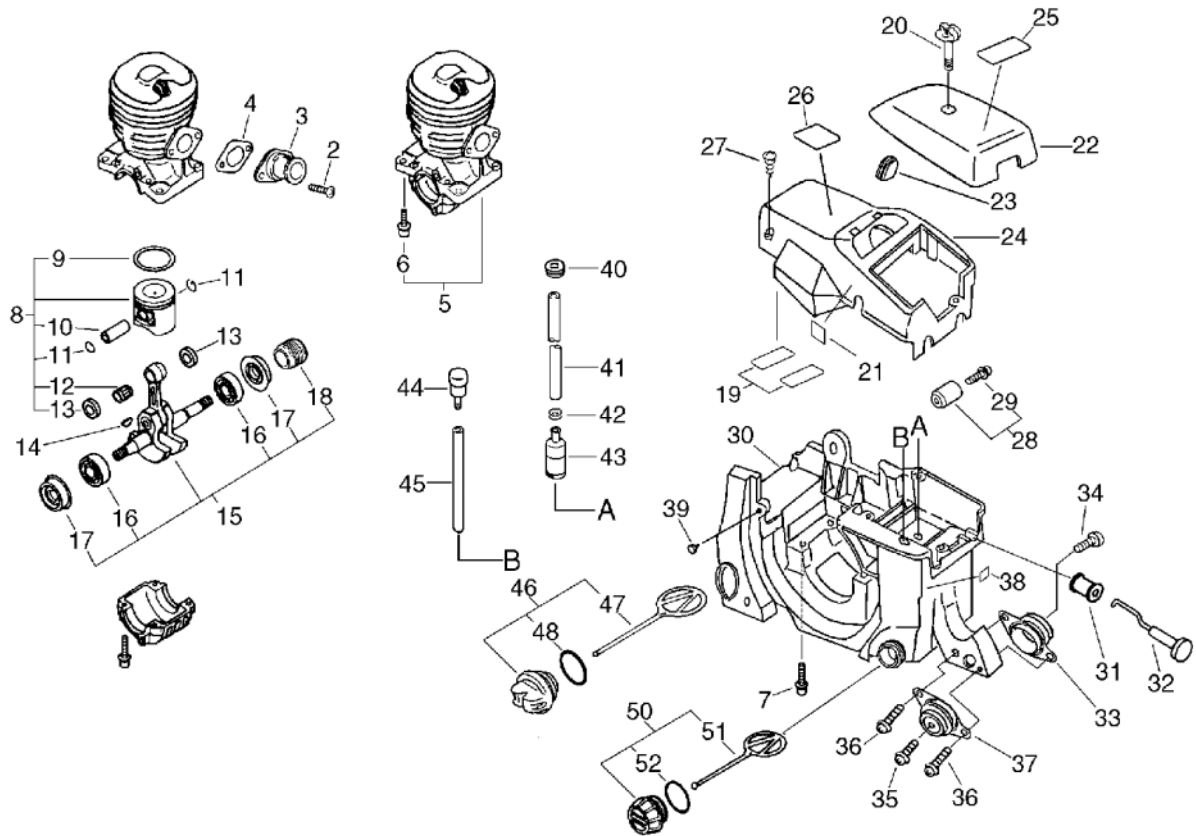
KEY	LV	PART NUMBER	Q'TY	DESCRIPTION	REMARKS	NOTE1	NOTE2
2		900238-05012	2	SCREW 5*12	5*12		
3		130510-39932	1	ADAPTER, INTAKE			
4		130016-39930	1	GASKET, INTAKE			
5		P021-000803	1	CRANKCASE SET			
6	+	900162-05022	4	BOLT, H.S. 5*22	5*22 W,SW		
7		900162-05030	4	BOLT, H.S. 5*30	5*30 W,SW		
8		100000-60931	1	PISTON KIT			
9	+	100011-01110	1	RING, PISTON			
10	+	100013-15330	1	PIN, PISTON	5.5*8*29		
11	+	100015-04630	2	CIRCLIP, PISTON PIN			
12	+	V553-000040	1	BEARING, NEEDLE 8	8E- KV8X11X11.8XS		
13	+	100014-60930	2	SPACER, PISTON PIN			
14		100142-12330	1	KEY, WOODRUFF			
15		P021-006853	1	CRANKSHAFT ASY			
15		P021-006854	1	CRANKSHAFT ASY			
16	+	94035-36201	2	BEARING BALL	6201X3JR2C3		
17	+	V505-000010	2	SEAL, OIL 12			
18	+	437063-35630	1	GEAR, WORM			
19		V341-000100	2	WASHER, SQUARE	30.5*70		
20		A235-000010	1	KNOB, CLEANER LID			
21		890631-38130	1	LABEL, CAUTION			
22		A232-000011	1	LID, CLEANER			
23		130338-32430	1	PLUG, COVER			
24		101514-60933	1	COVER, CYLINDER			

1. CYLINDER, CRANKCASE, PISTON



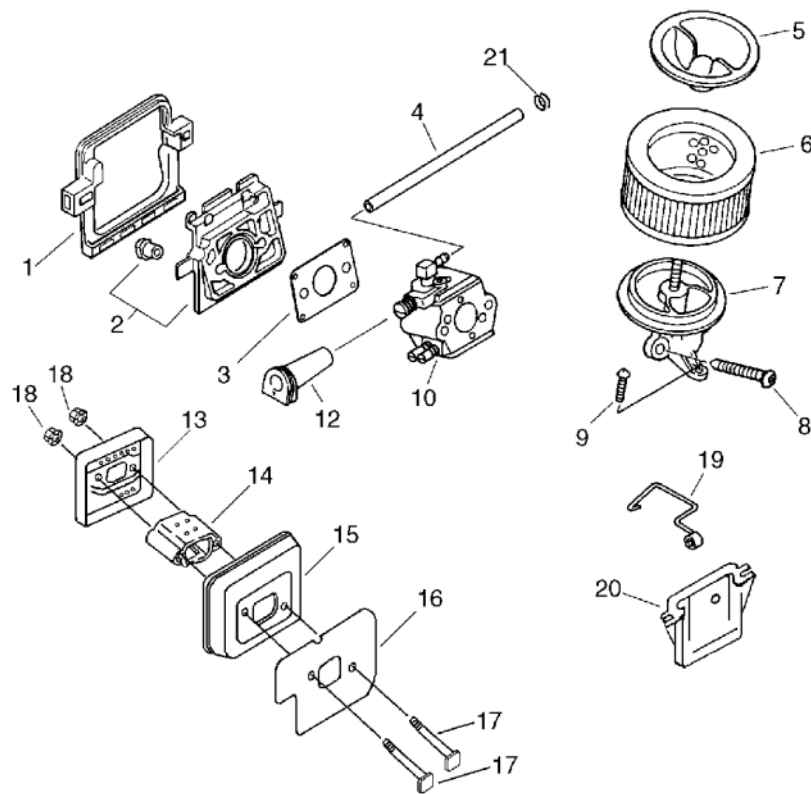
KEY	LV	PART NUMBER	Q'TY	DESCRIPTION	REMARKS	NOTE1	NOTE2
25		X503-009090	1	LABEL,MODEL	CS-3501 NH85H		
26		890345-39230	1	LABEL,CAUTION			
27		900256-04016	3	SCREW 4*16			
28		433000-60930	1	CATCHER KIT, CHAIN			
29	+	900253-05020	1	SCREW 5*20	5*20		
30		104005-60934	1	COVER,ENGINE	SET VW		
30		104005-60935	1	COVER,ENGINE			
31		178810-60930	1	GROMMET, CHOKE			
32		A241-000101	1	KNOB, CHOKE			
33		100905-35430	1	CUSHION			
34		900238-05025	1	SCREW 5*25	5*25		
35		900238-05014	1	SCREW 5*14	5*14		
36		900238-04022	2	SCREW 4*22	4*22		
37		100905-36030	1	CUSHION			
38		890157-39130	1	LABEL, SWITCH			
39		436114-13930	1	VALVE, CHECK			
40		132115-04920	1	GROMMET			
41		132010-38331	1	PIPE	3*6*165		
42		132013-26630	1	CLIP	6.5MM		
43		131205-14930	1	STRAINER,FUEL			
44		131300-56430	1	VALVE, CHECK			
45		V471-001220	1	PIPE	3*5*50 NBR		
46		P021-007630	1	CAP ASY,TANK			
47	+	A365-000050	1	CONNECTOR,CAP			
48	+	900721-00025	1	O-RING 25	G-25		

1. CYLINDER, CRANKCASE, PISTON



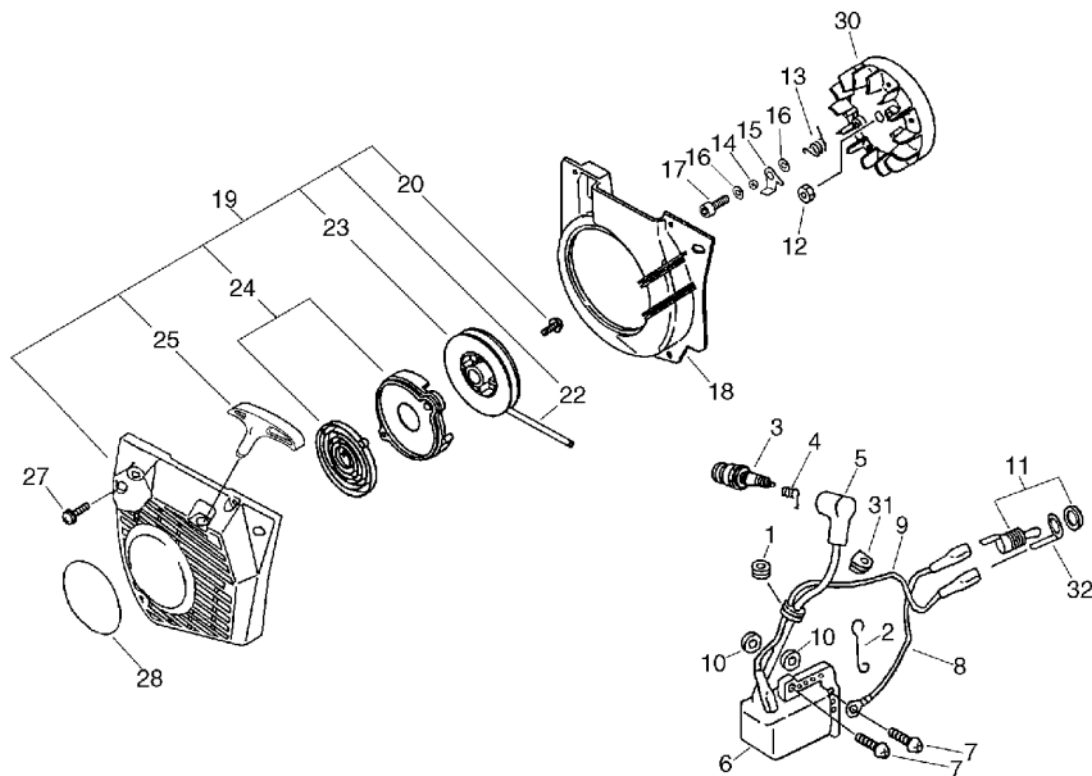
KEY	LV	PART NUMBER	Q'TY	DESCRIPTION	REMARKS	NOTE1	NOTE2
50		131004-37932	1	CAP ASY, FUEL			
51	+	A365-000050	1	CONNECTOR,CAP			
52	+	900720-00022	1	O-RING 22	P-22		

2. AIR CLEANER, CARBURETOR, MUFFLER



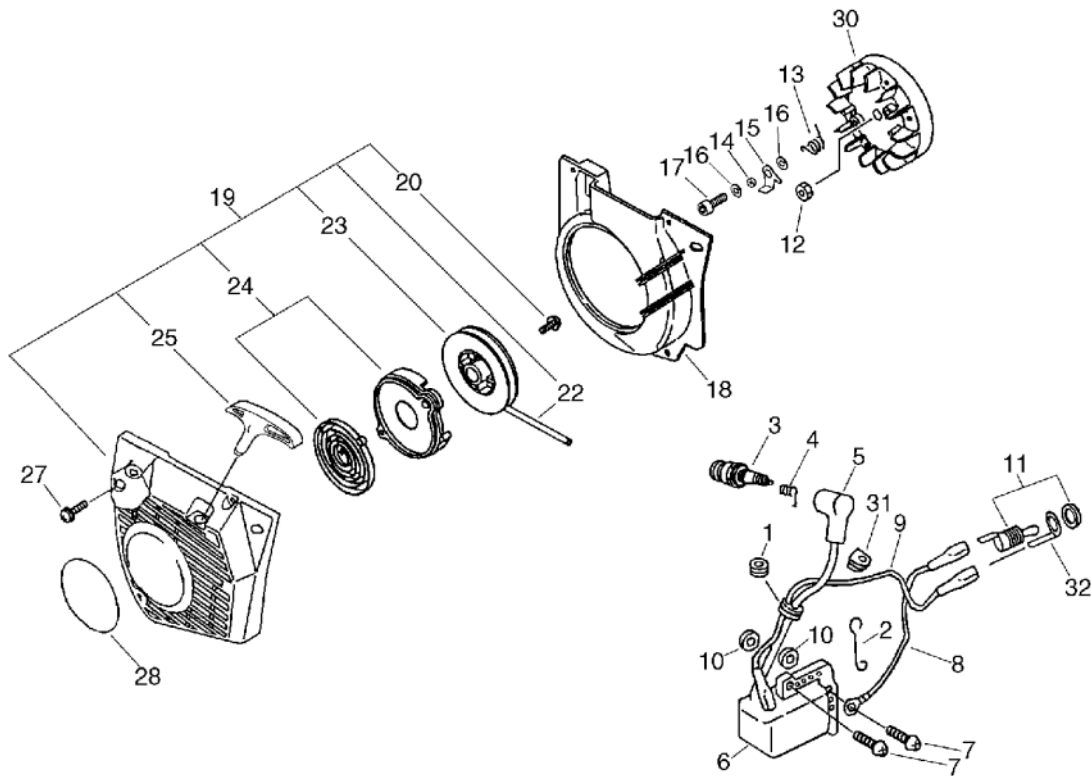
KEY	LV	PART NUMBER	Q'TY	DESCRIPTION	REMARKS	NOTE1	NOTE2
1		130366-39930	1	CUSHION			
2		130007-39932	1	INSULATOR			
3		130010-38330	1	GASKET, INTAKE			
4		130110-54430	1	PIPE, IMPULSE	3*6*105 NBR		
5		130405-38332	1	BRACKET, AIR CLEANER			
6		130300-39730	1	CLEANER ASM., AIR			
7		130301-39935	1	ADAPTER, INTAKE	ID #1230		
8		900238-05050	2	SCREW 5*50	5*50		
9		900253-05016	1	SCREW	5*16		
10		A021-000870	1	CARBURETOR, DIAPHRAGM	WT-700		
12		129015-60931	1	GROMMET			
13		145861-60930	1	LID, MUFFLER			
14		145614-60930	1	PLATE, MUFFLER			
15		145610-60930	1	MUFFLER			
16		145510-60930	1	GASKET, MUFFLER			
17		101023-60930	2	BOLT, 5 5*60	5*60		
18		900516-00005	2	NUT, FRANGE 5	5		
19		178011-61530	1	ROD, THROTTLE			
20		178112-60931	1	GUIDE, THROTTLE			
21		132013-09820	1	CLIP	6MM		

3. STARTER, MAGNETO



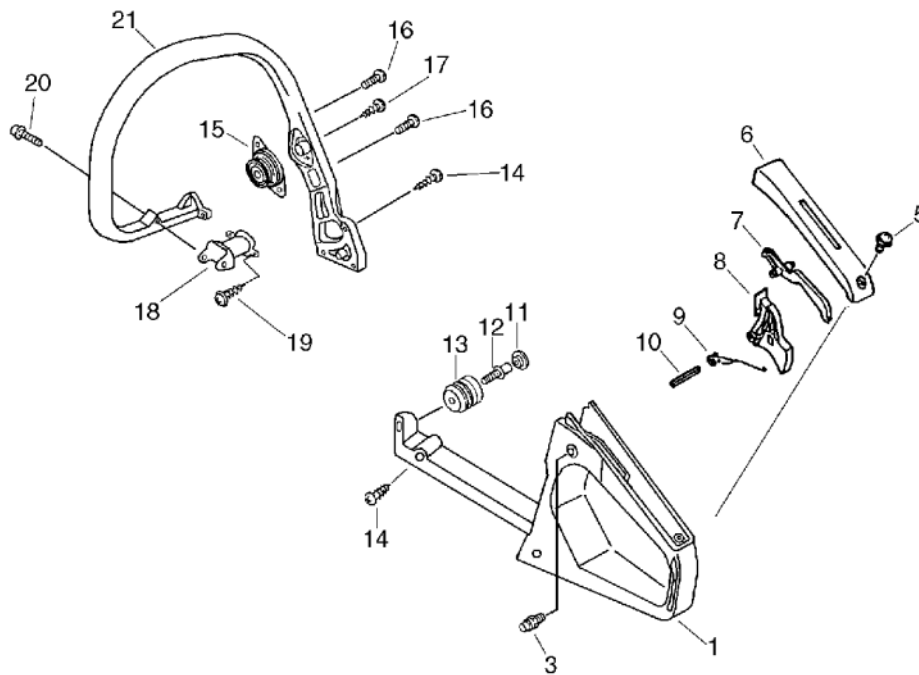
KEY	LV	PART NUMBER	Q'TY	DESCRIPTION	REMARKS	NOTE1	NOTE2
1		151112-04630	1	BUSHING			
2		159118-60930	1	GUIDE, CORD			
3		159010-10230	1	PLUG, SPARK (BPMR-7A)	BPMR-7A		
4		159011-03432	1	COIL, SPARK PLUG			
5		159012-01620	1	CAP, SPARK PLUG			
6		156626-60930	1	COIL, IGNITION	EMG-48		
7		900238-05025	2	SCREW 5*25	5*25		
8		162010-60930	1	LEAD	125L		
9		162021-52130	1	LEAD	210L		
10		150117-16430	2	SPACER			
11		163400-35430	1	SWITCH, IGNITION			
12		900515-00008	1	NUT, FLANGE 8	8		
13		177234-35430	2	SPRING, RETURN			
14		177247-04630	2	SPACER, RATCHET	5.2*8*2.1		
15		A514-000000	2	PAWL			
16		900603-00005	4	WASHER 5	5.5*12*0.8		
17		V203-000090	2	BOLT,5	M5*14		
18		101511-60931	1	COVER, FAN			
19		177200-60934	1	STARTER, RECOIL			
20	+	177236-44330	1	SCREW			
22	+	P022-005860	1	ROPE, STARTER			
23	+	P022-005870	1	DRUM, STARTER			
24	+	P022-010440	1	SPRING KIT, REWIND			
25	+	P022-001320	1	GRIP, STARTER			
27		900256-04016	4	SCREW 4*16			
28		X502-000410	1	LABEL, ECHO			

3. STARTER, MAGNETO



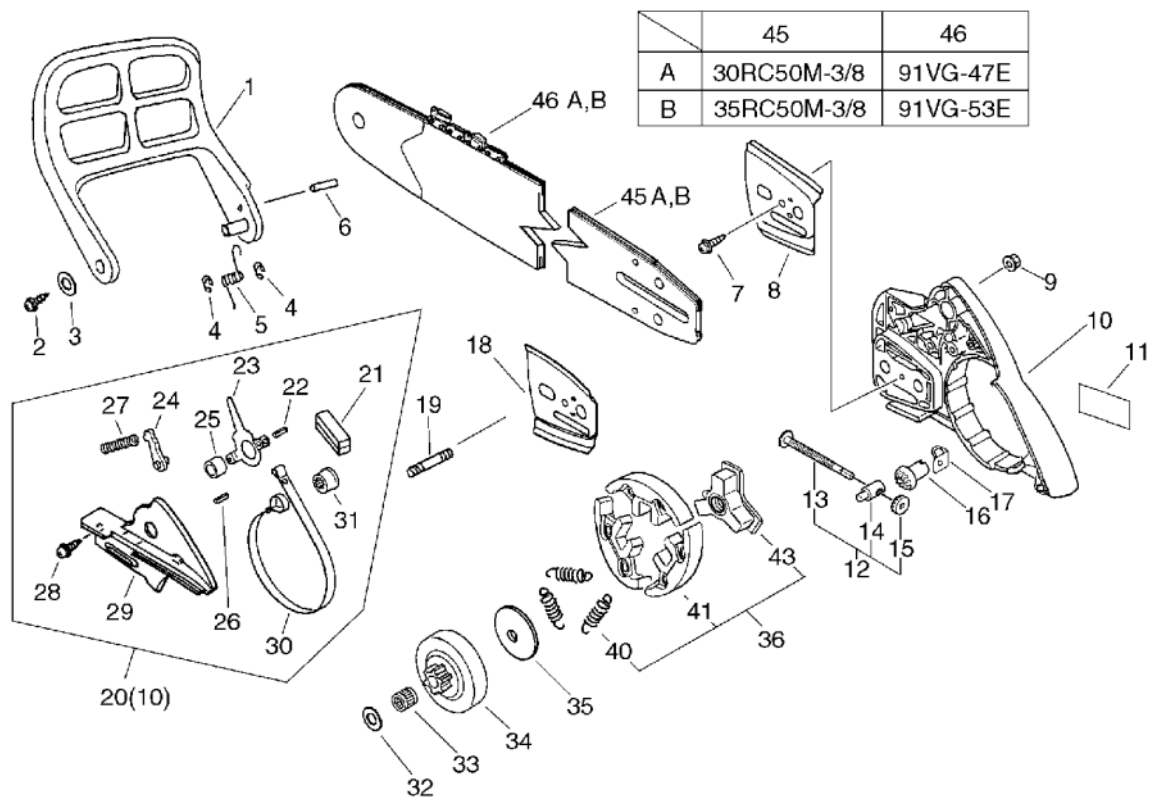
KEY	LV	PART NUMBER	Q'TY	DESCRIPTION	REMARKS	NOTE1	NOTE2
30		156800-60930	1	ROTOR, MAGNETO	EMG-48		
31		150112-04930	1	BUSHING			
32		168114-60930	1	TERMINAL, LEAD			

4. HANDLE



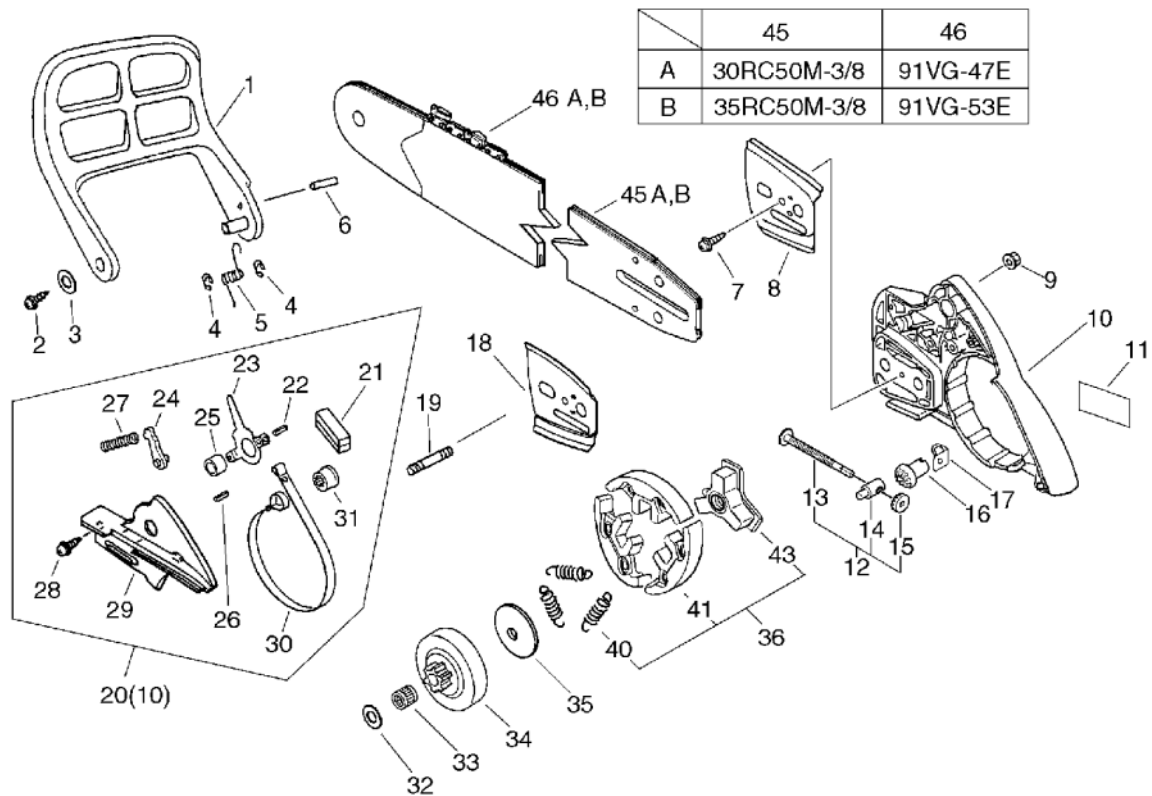
KEY	LV	PART NUMBER	Q'TY	DESCRIPTION	REMARKS	NOTE1	NOTE2
1		351110-60933	1	HANDLE, REAR			
3		178302-37930	1	LATCH, THROTTLE			
5		900253-04012	1	SCREW	4*12		
6		351155-35430	1	COVER, HANDLE (BL)			
7		178090-37930	1	LOCKOUT, T. CONTROL			
8		C450-000000	1	TRIGGER, THROTTLE			
9		178043-35430	1	SPRING, THR.RETURN			
10		900345-40030	1	PIN, SPRING 4*30SUS	4*30SUS		
11		100918-19830	1	CAP, CUSHION			
12		100915-35430	1	SCREW			
13		100910-60030	1	CUSHION			
14		900253-05020	4	SCREW 5*20	5*20		
15		100922-35430	1	CUSHION, REARE HANDLE			
16		900238-04016	2	SCREW 4*16	4*16		
17		900253-05016	1	SCREW	5*16		
18		351105-60930	1	CUSHION			
19		900253-04012	2	SCREW	4*12		
20		900238-04022	1	SCREW 4*22	4*22		
21		351606-60932	1	HANDLE, FRONT			

5. CLUTCH, SPROCKET



KEY	LV	PART NUMBER	Q'TY	DESCRIPTION	REMARKS	NOTE1	NOTE2
1		C320-000000	1	LEVER,BRAKE			
2		900253-04012	1	SCREW	4*12		
3		177214-04630	1	WASHER	4.1*15.5*1T		
4		900700-00008	2	E-RING 8	CE-8		
5		433122-60930	1	SPRING, BRAKE			
6		900330-30120	1	PIN	3*12		
7		900253-04010	1	SCREW 4*10	4*10		
8		433012-60930	1	PLATE, GUIDE			
9		433019-03933	2	NUT, FLANGE 6	6		
11		X502-000580	1	LABEL,ECHO			
12		P021-000063	1	TENSIONER,CHAIN ASY			
13	+	V203-000021	1	BOLT,5			
14	+	C309-000030	1	TENSIONER,CHAIN			
15	+	V651-000011	1	GEAR,BEVEL			
16		V651-000001	1	GEAR,BEVEL			
17		V150-000030	1	PLATE,EYE			
18		433013-60930	1	PLATE, GUIDE			
19		V224-000031	2	BOLT,STUD 6			
20		C032-000021	1	BRAKE,ASM CHAIN			
10	+	433010-60931	1	GUARD, SPROCKET			
21	+	433312-32630	1	COVER, SEAL			
22	+	900330-40088	1	ROLLER 4*8.8	4*8.8		
23	+	433117-60930	1	CONNECTOR, BRAKE			
24	+	433209-35430	1	STOPPER, BRAKE			
25	+	433116-35430	1	SPACER 8	8*12*9		
26	+	900342-25012	1	PIN, SPRING 2.5*12	2.5*12		

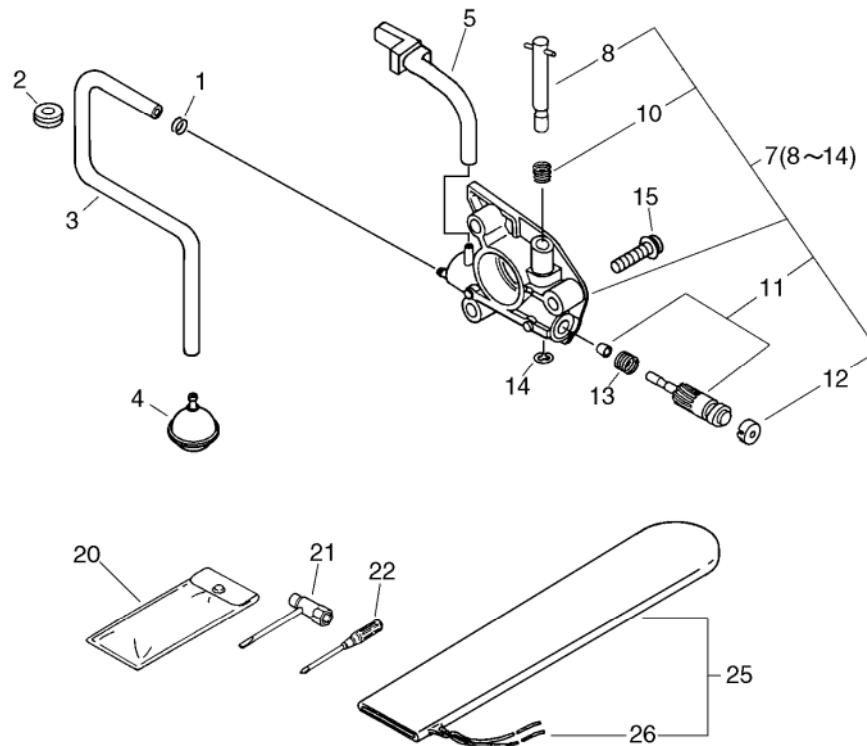
5. CLUTCH, SPROCKET



	45	46
A	30RC50M-3/8	91VG-47E
B	35RC50M-3/8	91VG-53E

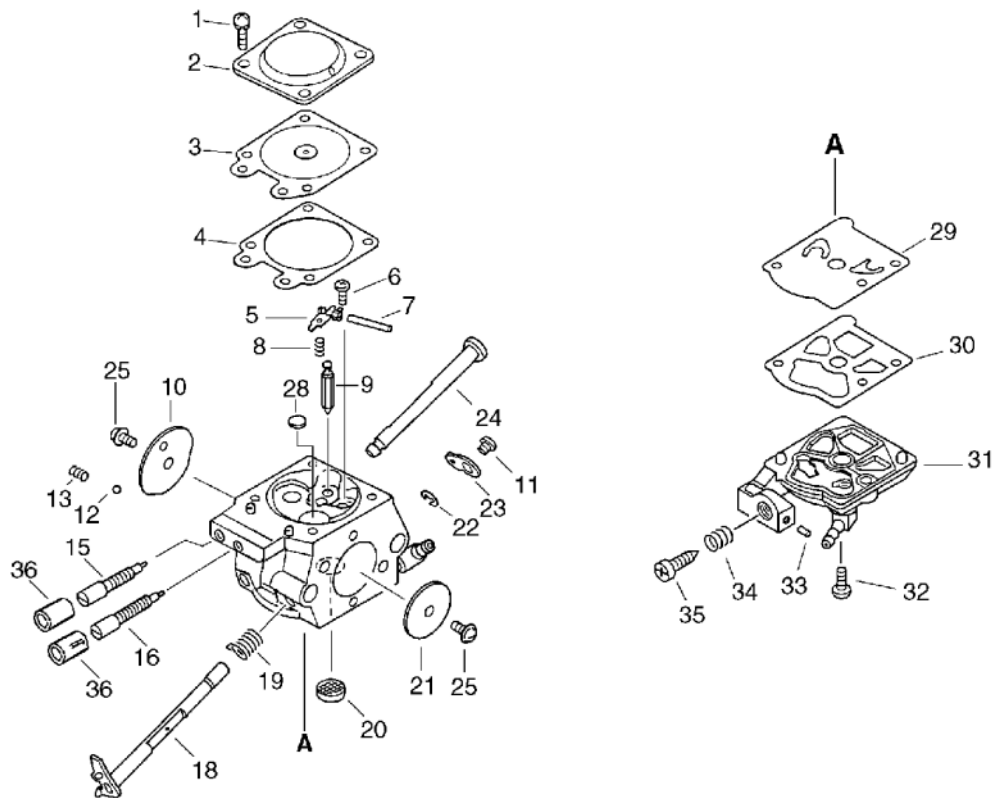
KEY	LV	PART NUMBER	Q'TY	DESCRIPTION	REMARKS	NOTE1	NOTE2
27	+	433122-35430	1	SPRING, BRAKE			
28	+	900253-04012	3	SCREW	4*12		
29	+	433310-60930	1	COVER, BRAKE BS			
30	+	C328-000070	1	BAND, BRAKE			
31	+	433142-35430	1	ADJUSTER, BRAKE			
32		175014-39131	1	WASHER, CLUTCH	10.2*24.5*1.2		
33		175012-00831	1	BEARING, NEEDLE			
34		175005-39132	1	DRUM, CLUTCH	3/8A		
35		A551-000010	1	PLATE, CLUTCH			
36		A056-000070	1	CLUTCH			
40	+	V451-000470	3	SPRING, TENSION			
41	+	P021-005810	1	CLUTCH SHOE SET			
43	+	A552-000020	1	HUB, CLUTCH			
45A		X122-000071	1	BAR, GUIDE 30RC50M-3/8	30RC50M-3/8 ECHO		
45B		431010-39230	1	CHAIN, SAW 91VG-47E	91VG-47E 30C		
46A		X123-000131	1	BAR, GUIDE 35RC50M-3/8	35RC50M-3/8		
46B		431019-39230	1	CHAIN, SAW 91VG-53E	91VG-53E 35C		

6. AUTO-OILER



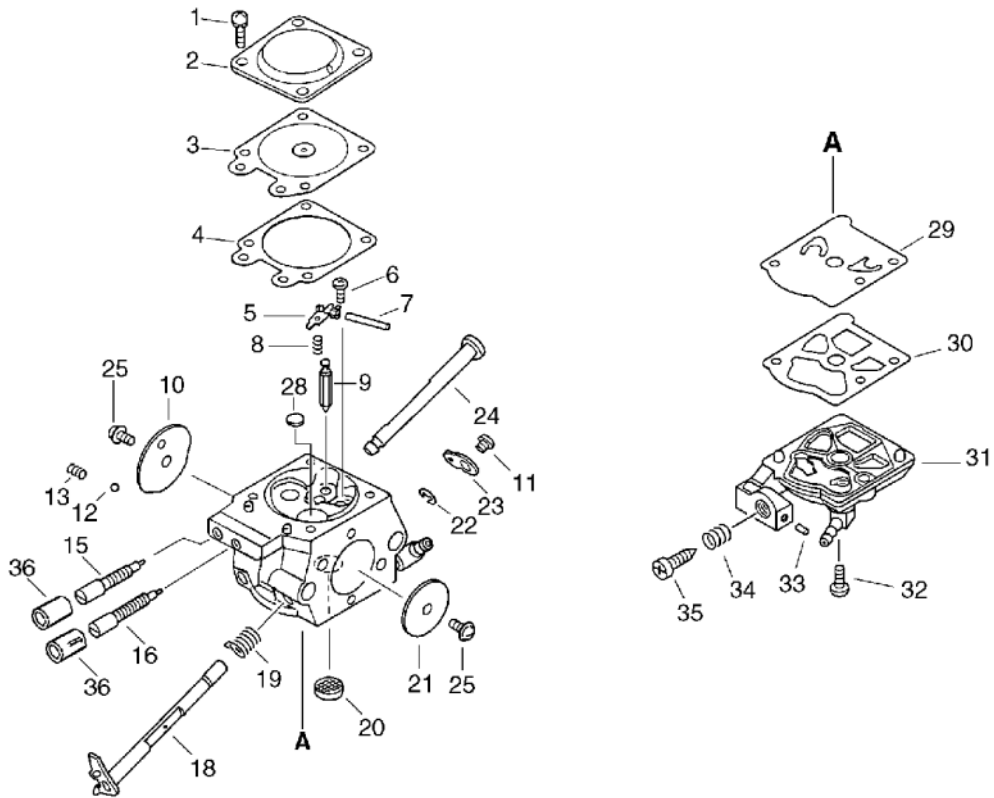
KEY	LV	PART NUMBER	Q'TY	DESCRIPTION	REMARKS	NOTE1	NOTE2
1		132013-26630	1	CLIP	6.5MM		
2		132115-12330	1	GROMMET			
3		437210-35430	1	PIPE			
4		436205-14730	1	STRAINER, OIL			
5		437211-39133	1	PIPE			
7		437002-38330	1	AUTO-OILER ASSY			
8	+	P022-024570	1	SCREW ASS'Y, ADJUST			
10	+	P022-010670	1	SPRING			
11	+	P022-010650	1	PLUNGER			
12	+	P022-010640	1	CAP, OIL PUMP			
13	+	P022-010660	1	SPRING			
14	+	125327-15130	1	CLIP			
15		900223-04016	2	SCREW	4*16		
20		898510-07130	1	BAG, TOOL			
21		895410-03930	1	WRENCH, W/S. DRIVER			
22		895812-03930	1	DRIVER, SCREW 50			
25		898567-38330	1	SCABBARD, GUIDE BAR			
25		P021-014660	1	SCABBARD,CHAIN			
26	+	898568-14530	1	ROPE	5*900		

7. CARBURETOR



KEY	LV	PART NUMBER	Q'TY	DESCRIPTION	REMARKS	NOTE1	NOTE2
		A021-000870	1	CARBURETOR,DIAPHRAGM	WT-700		
1	+	123130-02960	4	SCREW			
2	+	123142-03930	1	COVER, M. DIAPHRAGM			
3	+	123141-03930	1	DIAPHRAGM, METERING			
4	+	123140-03930	1	GASKET, M. DIAPHRAGM			
5	+	123123-03930	1	LEVER, METERING			
6	+	123139-03930	1	SCREW, M. LEVER PIN			
7	+	123138-03930	1	PIN, METERING LEVER			
8	+	123122-39330	1	SPRING, METER. LEVER			
9	+	123137-19830	1	VALVE, INLET NEEDLE			
10	+	123132-35430	1	VALVE, CHOKE			
11	+	123114-38830	1	SCREW			
12	+	123136-10630	1	BALL, CHOKE FRICTION			
13	+	123135-10630	1	SPRING, CHOKE FRICT.			
15	+	123120-03661	1	NEEDLE			
16	+	123120-52131	1	NEEDLE, HIGH SPEED			
18	+	123117-39330	1	SHAFT, THROTTLE			
19	+	123113-37530	1	SPRING, THROTTLE RTN			
20	+	123126-10631	1	SCREEN, INLET			
21	+	123116-03930	1	VALVE, THROTTLE			
22	+	123127-15030	1	RING			
23	+	123150-38330	1	LEVER, THROTTLE			
24	+	123131-35430	1	SHAFT, CHOKE			
25	+	123114-38830	2	SCREW			
28	+	123146-10631	1	PLUG, WELCH			
29	+	123112-15030	1	DIAPHRAGM, FUEL PUMP			

7. CARBURETOR



KEY	LV	PART NUMBER	Q'TY	DESCRIPTION	REMARKS	NOTE1	NOTE2
30	+	123125-15030	1	GASKET, FUEL PUMP			
31	+	123124-38330	1	COVER, FUEL PUMP			
32	+	123110-03930	1	SCREW, PUMP COVER			
33	+	123178-15030	1	PLUG, FRICTION			
34	+	123133-04260	1	SPRING, IDLE ADJUST			
35	+	123134-04260	1	SCREW, IDLE ADJUST			
36	+	P003-000010	2	LIMITER CAP			

Index

Patrs Number	Key No.	Patrs Number	Key No.	Patrs Number	Key No.
100000-60931	1 - 8	129015-60931	2 - 12	178302-37930	4 - 3
100011-01110	1 - 9	130007-39932	2 - 2	178810-60930	1 - 31
100013-15330	1 - 10	130010-38330	2 - 3	351105-60930	4 - 18
100014-60930	1 - 13	130016-39930	1 - 4	351110-60933	4 - 1
100015-04630	1 - 11	130110-54430	2 - 4	351155-35430	4 - 6
100142-12330	1 - 14	130300-39730	2 - 6	351606-60932	4 - 21
100905-35430	1 - 33	130301-39935	2 - 7	431010-39230	5 - 45B
100905-36030	1 - 37	130338-32430	1 - 23	431019-39230	5 - 46B
100910-60030	4 - 13	130366-39930	2 - 1	433000-60930	1 - 28
100915-35430	4 - 12	130405-38332	2 - 5	433010-60931	5 - 10
100918-19830	4 - 11	130510-39932	1 - 3	433012-60930	5 - 8
100922-35430	4 - 15	131004-37932	1 - 50	433013-60930	5 - 18
101023-60930	2 - 17	131205-14930	1 - 43	433019-03933	5 - 9
101511-60931	3 - 18	131300-56430	1 - 44	433116-35430	5 - 25
101514-60933	1 - 24	132010-38331	1 - 41	433117-60930	5 - 23
104005-60934	1 - 30	132013-09820	2 - 21	433122-35430	5 - 27
104005-60935	1 - 30	132013-26630	1 - 42	433122-60930	5 - 5
123110-03930	7 - 32	132013-26630	6 - 1	433142-35430	5 - 31
123112-15030	7 - 29	132115-04920	1 - 40	433209-35430	5 - 24
123113-37530	7 - 19	132115-12330	6 - 2	433310-60930	5 - 29
123114-38830	7 - 11	145510-60930	2 - 16	433312-32630	5 - 21
123114-38830	7 - 25	145610-60930	2 - 15	436114-13930	1 - 39
123116-03930	7 - 21	145614-60930	2 - 14	436205-14730	6 - 4
123117-39330	7 - 18	145861-60930	2 - 13	437002-38330	6 - 7
123120-03661	7 - 15	150112-04930	3 - 31	437063-35630	1 - 18
123120-52131	7 - 16	150117-16430	3 - 10	437210-35430	6 - 3
123122-39330	7 - 8	151112-04630	3 - 1	437211-39133	6 - 5
123123-03930	7 - 5	156626-60930	3 - 6	890157-39130	1 - 38
123124-38330	7 - 31	156800-60930	3 - 30	890345-39230	1 - 26
123125-15030	7 - 30	159010-10230	3 - 3	890631-38130	1 - 21
123126-10631	7 - 20	159011-03432	3 - 4	895410-03930	6 - 21
123127-15030	7 - 22	159012-01620	3 - 5	895812-03930	6 - 22
123130-02960	7 - 1	159118-60930	3 - 2	898510-07130	6 - 20
123131-35430	7 - 24	162010-60930	3 - 8	898567-38330	6 - 25
123132-35430	7 - 10	162021-52130	3 - 9	898568-14530	6 - 26
123133-04260	7 - 34	163400-35430	3 - 11	900162-05022	1 - 6
123134-04260	7 - 35	168114-60930	3 - 32	900162-05030	1 - 7
123135-10630	7 - 13	175005-39132	5 - 34	900223-04016	6 - 15
123136-10630	7 - 12	175012-00831	5 - 33	900238-04016	4 - 16
123137-19830	7 - 9	175014-39131	5 - 32	900238-04022	1 - 36
123138-03930	7 - 7	177200-60934	3 - 19	900238-04022	4 - 20
123139-03930	7 - 6	177214-04630	5 - 3	900238-05012	1 - 2
123140-03930	7 - 4	177234-35430	3 - 13	900238-05014	1 - 35
123141-03930	7 - 3	177236-44330	3 - 20	900238-05025	1 - 34
123142-03930	7 - 2	177247-04630	3 - 14	900238-05025	3 - 7
123146-10631	7 - 28	178011-61530	2 - 19	900238-05050	2 - 8
123150-38330	7 - 23	178043-35430	4 - 9	900253-04010	5 - 7
123178-15030	7 - 33	178090-37930	4 - 7	900253-04012	4 - 5
125327-15130	6 - 14	178112-60931	2 - 20	900253-04012	4 - 19

Index

Patrs Number	Key No.	Patrs Number	Key No.	Patrs Number	Key No.
900253-04012	5 - 2	P022-010660	6 - 13		
900253-04012	5 - 28	P022-010670	6 - 10		
900253-05016	2 - 9	P022-024570	6 - 8		
900253-05016	4 - 17	V150-000030	5 - 17		
900253-05020	1 - 29	V203-000021	5 - 13		
900253-05020	4 - 14	V203-000090	3 - 17		
900256-04016	1 - 27	V224-000031	5 - 19		
900256-04016	3 - 27	V341-000100	1 - 19		
900330-30120	5 - 6	V451-000470	5 - 40		
900330-40088	5 - 22	V471-001220	1 - 45		
900342-25012	5 - 26	V505-000010	1 - 17		
900345-40030	4 - 10	V553-000040	1 - 12		
900515-00008	3 - 12	V651-000001	5 - 16		
900516-00005	2 - 18	V651-000011	5 - 15		
900603-00005	3 - 16	X122-000071	5 - 45A		
900700-00008	5 - 4	X123-000131	5 - 46A		
900720-00022	1 - 52	X502-000410	3 - 28		
900721-00025	1 - 48	X502-000580	5 - 11		
94035-36201	1 - 16	X503-009090	1 - 25		
A021-000870	2 - 10				
A021-000870	7 -				
A056-000070	5 - 36				
A232-000011	1 - 22				
A235-000010	1 - 20				
A241-000101	1 - 32				
A365-000050	1 - 47				
A365-000050	1 - 51				
A514-000000	3 - 15				
A551-000010	5 - 35				
A552-000020	5 - 43				
C032-000021	5 - 20				
C309-000030	5 - 14				
C320-000000	5 - 1				
C328-000070	5 - 30				
C450-000000	4 - 8				
P003-000010	7 - 36				
P021-000063	5 - 12				
P021-000803	1 - 5				
P021-005810	5 - 41				
P021-006853	1 - 15				
P021-006854	1 - 15				
P021-007630	1 - 46				
P021-014660	6 - 25				
P022-001320	3 - 25				
P022-005860	3 - 22				
P022-005870	3 - 23				
P022-010440	3 - 24				
P022-010640	6 - 12				
P022-010650	6 - 11				

YAMABIKO CORPORATION

7-2 SUEHIROCHO 1-CHOME, OHME, TOKYO 198-8760, JAPAN
PHONE: 81-428-32-6118. FAX: 81-428-32-6145.



10Hd
No. 64-235