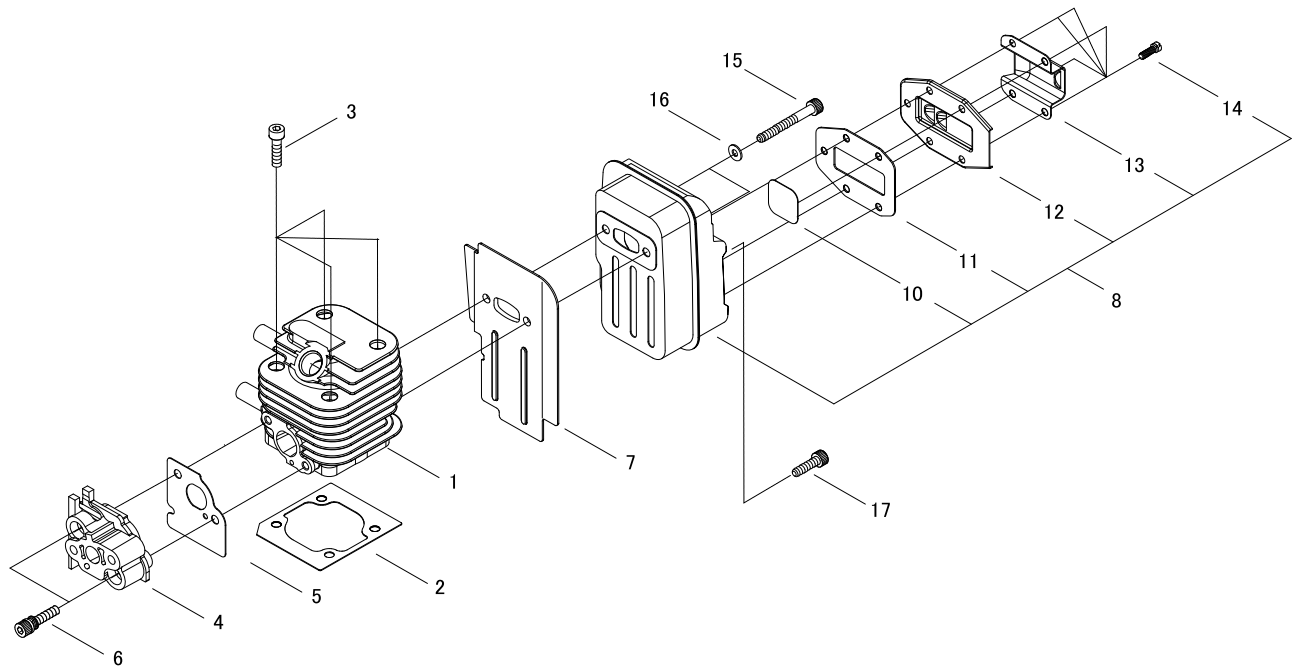


PARTS CATALOGUE

BRUSHCUTTER C242S/EC2(37)

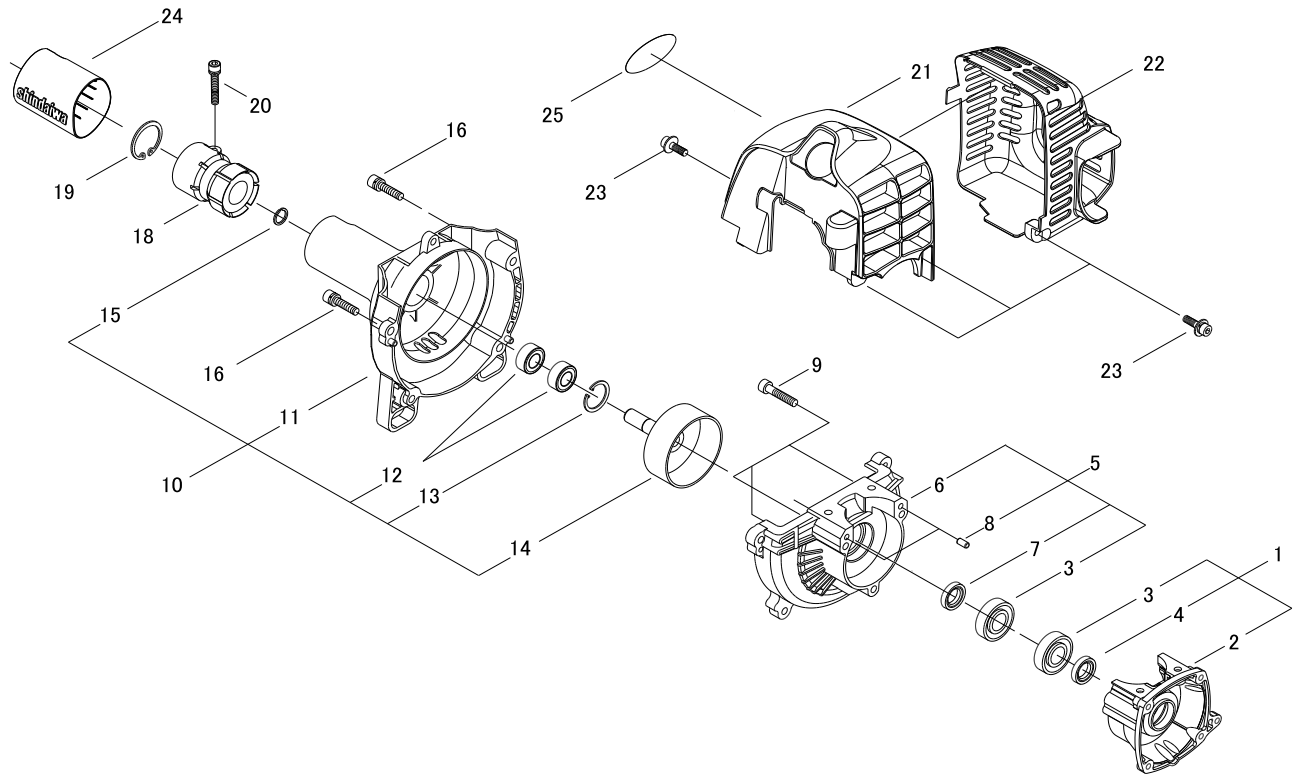
37005770 -

1. CYLINDER, MUFFLER



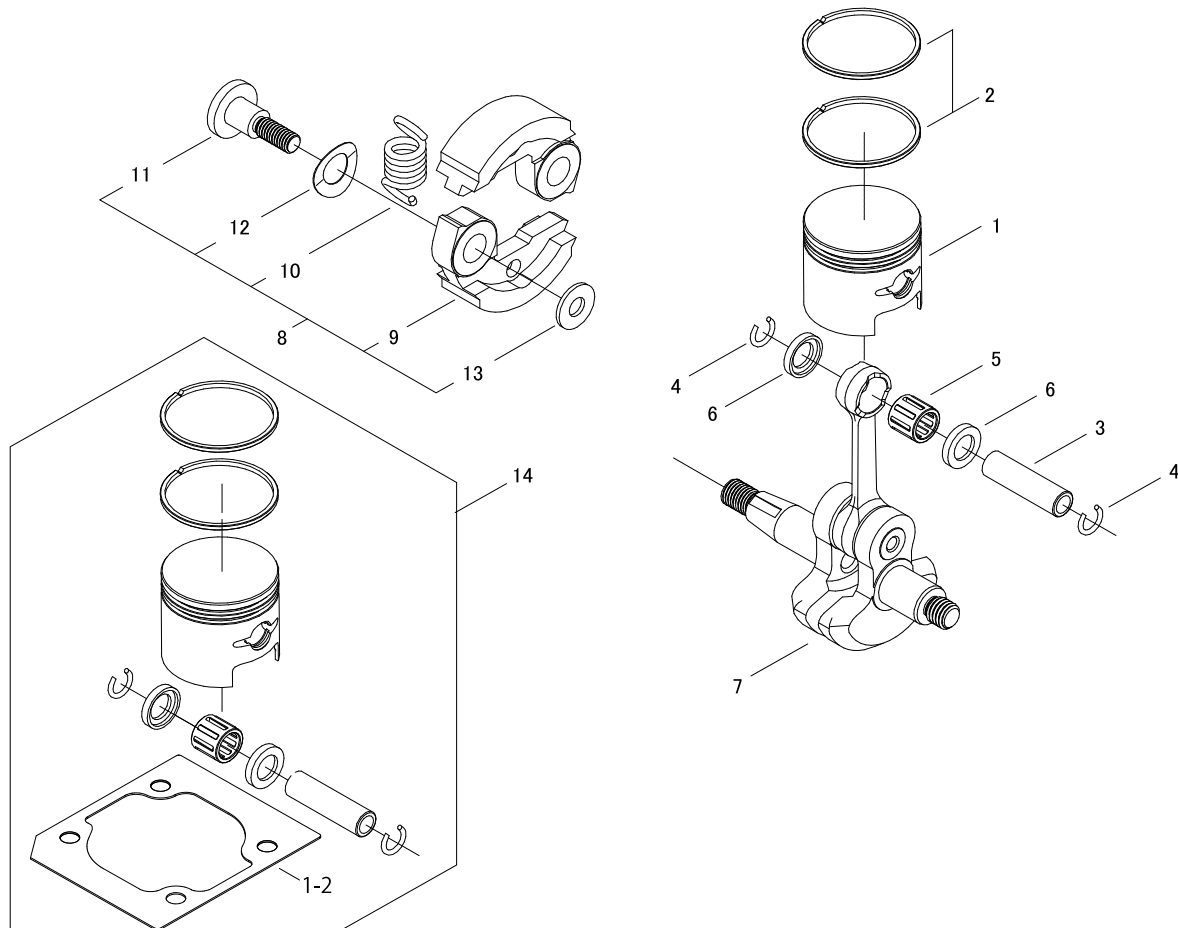
KEY	LV	PART NUMBER	Q'TY	DESCRIPTION	REMARKS	NOTE1	NOTE2
1		A130-001120	1	CYLINDER			
2		V100-000340	1	GASKET			
3		900105-05016	4	BOLT, H.S. 5*16	5*16		
4		A200-000440	1	INSULATOR			
5		V103-000660	1	GASKET			
6		V203-000580	2	BOLT,5			
7		V104-001090	1	GASKET MUFFLER			
8		A030-000110	1	MUFFLER ASSY			
10	+	A310-000170	1	SCREEN			
11	+	V104-001100	1	GASKET			
12	+	A313-001220	1	TAIL PLATE			
13	+	A313-001230	1	TAIL PLATE			
14	+	900283-04008	5	SCREW 4*8	4*8		
15		91109-05055	2	BOLT	CB-5*0.8*55		
16		900604-00005	2	WASHER 5 SUS	5 SUS		
17		900105-05012	1	BOLT, H.S. 5*12	5*12		

2. FAN CASE



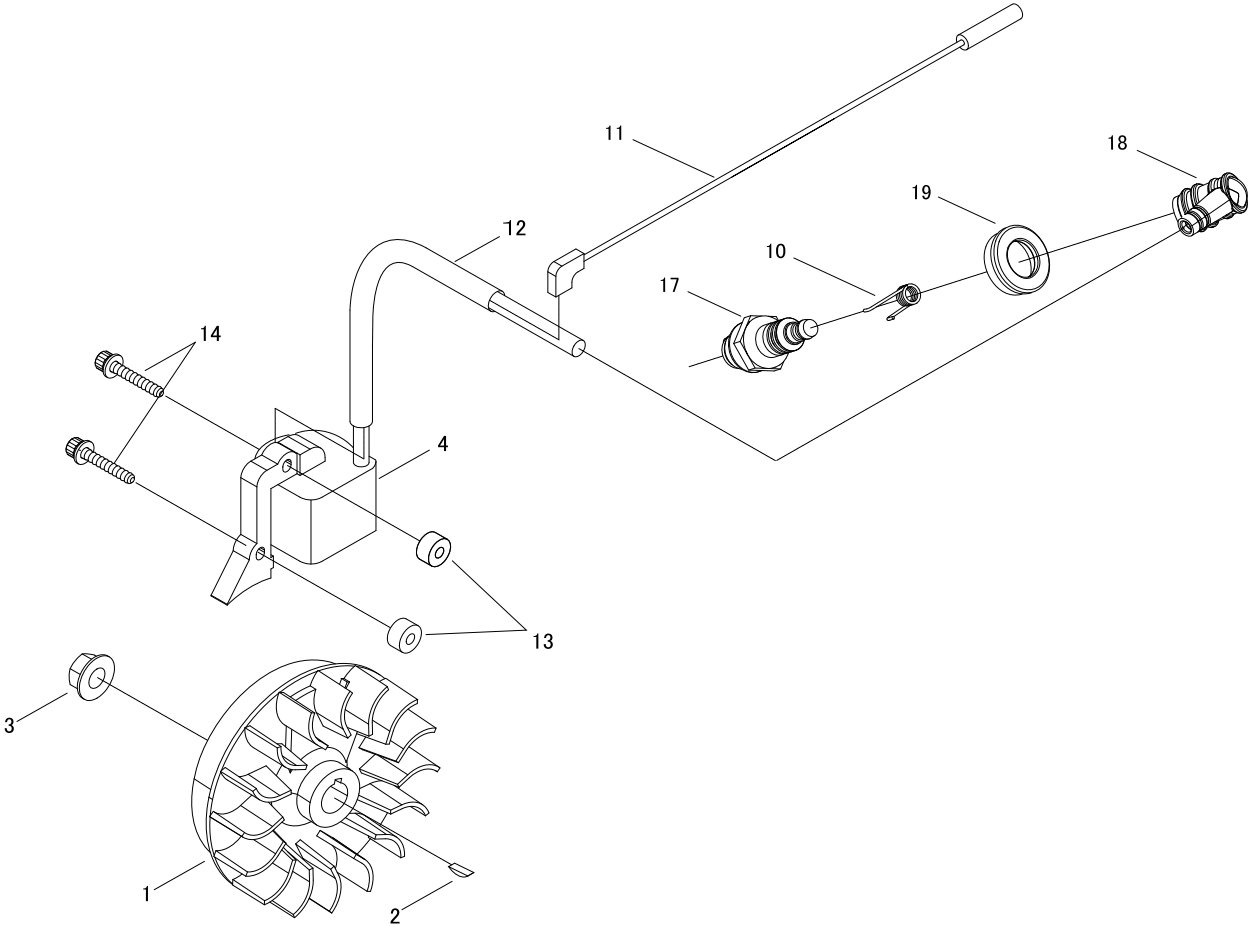
KEY	LV	PART NUMBER	Q'TY	DESCRIPTION	REMARKS	NOTE1	NOTE2
1		P021-028010	1	CRANK CASE S COMP			
2	+	A120-000140	1	CRANK CASE S			
3	+	V592-000310	1	BEARING, BALL	6001X10JRXC3		
4	+	V505-000070	1	OIL SEAL			
5		P021-028020	1	CRANK CASE M COMP			
3	+	V592-000310	1	BEARING, BALL	6001X10JRXC3		
6	+	A120-000130	1	CRANK CASE M			
7	+	V505-000080	1	OIL SEAL			
8	+	V622-000040	2	ROLLER			
9		900105-05025	3	BOLT, H.S. 5*25	5*25		
10		P021-028040	1	FAN COVER-A			
11	+	A172-001700	1	COVER,FAN			
12	+	900802-06000	2	BEARING, BALL 6000	6000DDU(LLU)		
13	+	92424-26000	1	SNAP RING			
14	+	A556-000610	1	CLUTCH DRUM			
15	+	V583-000160	1	SNAP RING			
16		V203-000540	2	BOLT SPW			
18		A575-000190	1	JOINT			
19		92424-40000	1	SNAP RING			
20		V203-000620	1	BOLT-SW			
21		A160-001290	1	CYLINDER COVER			
22		A320-000870	1	COVER,MUFFLER			
23		V202-000200	4	BOLT			
24		A413-000000	1	PROTECTOR			
25		X504-001180	1	LABEL TRADE			

3. PISTON, CRANKSHAFT



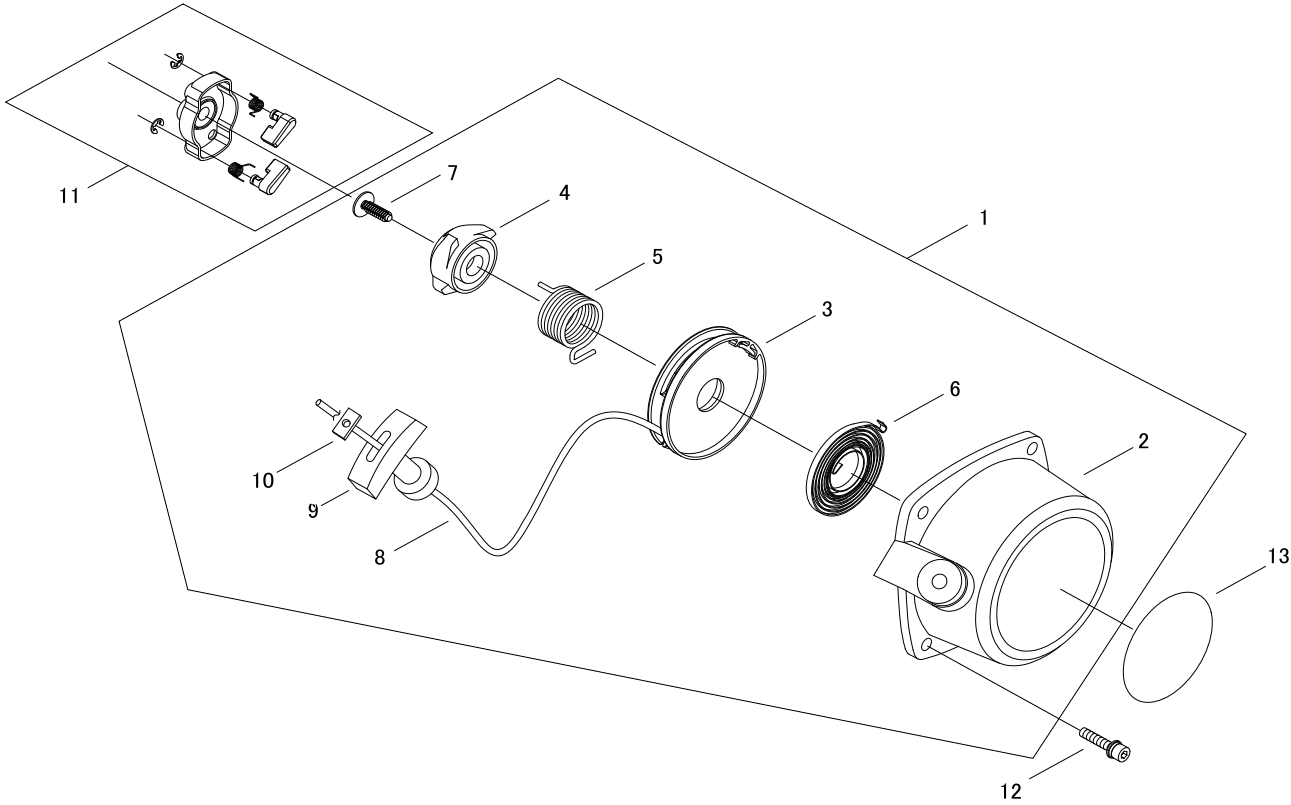
KEY	LV	PART NUMBER	Q'TY	DESCRIPTION	REMARKS	NOTE1	NOTE2
14		P021-027250	1	PISTON SET			
1	+	A100-000530	1	PISTON			
2	+	A101-000290	2	PISTON RING			
3	+	V606-000030	1	PISTON PIN			
4	+	V580-000070	2	RING,END			
5	+	V553-000080	1	NEEDLE BEARING			
6	+	V306-000250	2	WASHER,CIRCULAR 8			
7		A011-000700	1	CRANK SHAFT			
8		A056-000260	1	CLUTCH SHOE ASSY			
9	+	A553-000060	2	CLUTCH SHOE			
10	+	A566-000050	1	COIL SPRING			
11	+	A557-000040	2	BOLT			
12	+	V346-000040	2	SPRING PLATE			
13	+	V304-000150	2	WASHER			

4. MAGNETO



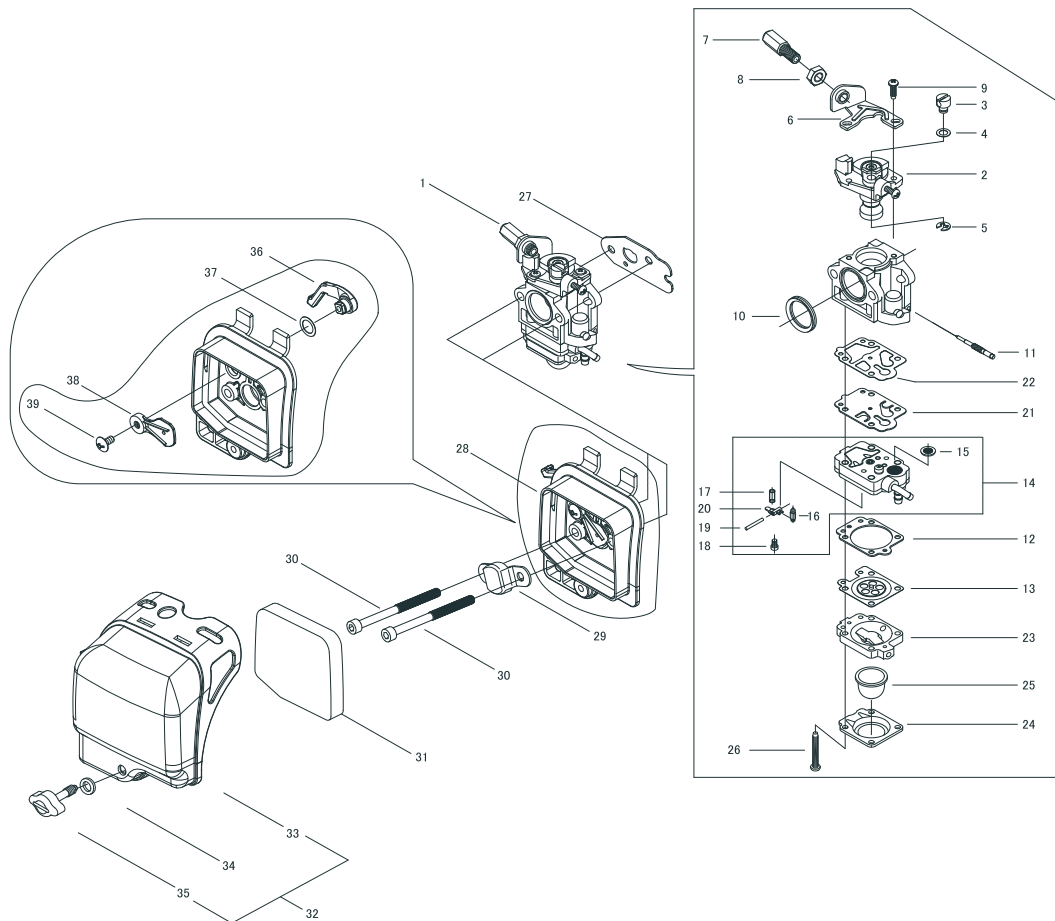
KEY	LV	PART NUMBER	Q'TY	DESCRIPTION	REMARKS	NOTE1	NOTE2
1		A409-000470	1	ROTOR			
2		93115-03010	1	KEY	3*10		
3		V265-000140	1	NUT			
4		A411-000610	1	COIL ASSY			
10		A426-000050	1	SPRING SPARK PLUG			
11		V485-001370	1	LEAD WIRE			
12		V475-006560	1	TUBE			
13		V322-000040	2	INSULATOR			
14		V202-000210	2	BOLT ADHESIVE			
17		159010-12530	1	PLUG, SPARK (BPMR-6A)	BPMR-6A		
18		A427-000060	1	CAP, SPARK PLUG			
19		A429-000090	1	COVER, CAP			

5. RECOIL STARTER



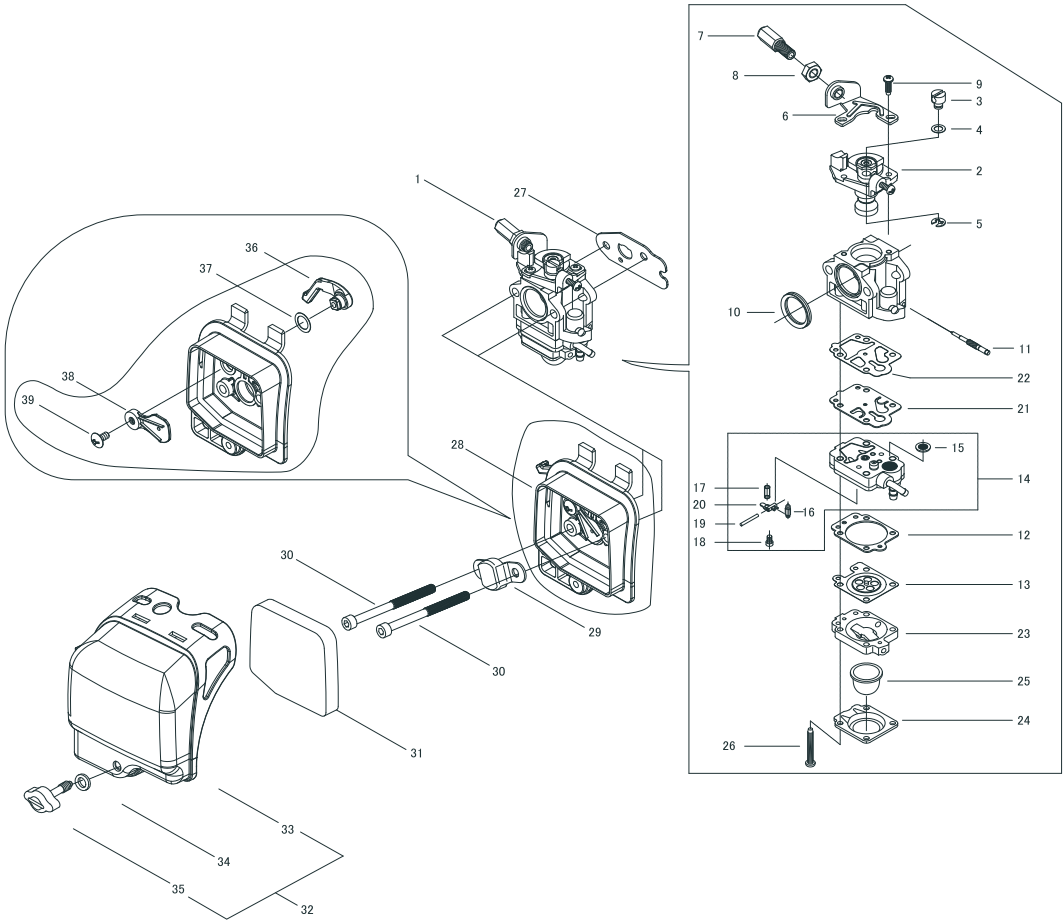
KEY	LV	PART NUMBER	Q'TY	DESCRIPTION	REMARKS	NOTE1	NOTE2
1		A051-001570	1	RECOIL STARTER ASSY			
2	+	A500-000690	1	STARTER CASE			
3	+	A506-000190	1	REEL			
4	+	C533-000050	1	CAM			
5	+	V452-000460	1	COIL SPRING			
6	+	A504-000100	1	RECOIL SPRING			
7	+	V253-000310	1	SCREW			
8	+	A509-000310	1	ROPE			
9	+	A511-000160	1	STARTER KNOB			
10	+	A522-000040	1	STOPPER			
11		A052-000340	1	STARTER PULLEY ASSY			
12		V202-000190	2	BOLT SW			
13		X504-006670	1	LABEL, BRAND	C242S		

6. AIR CLEANER



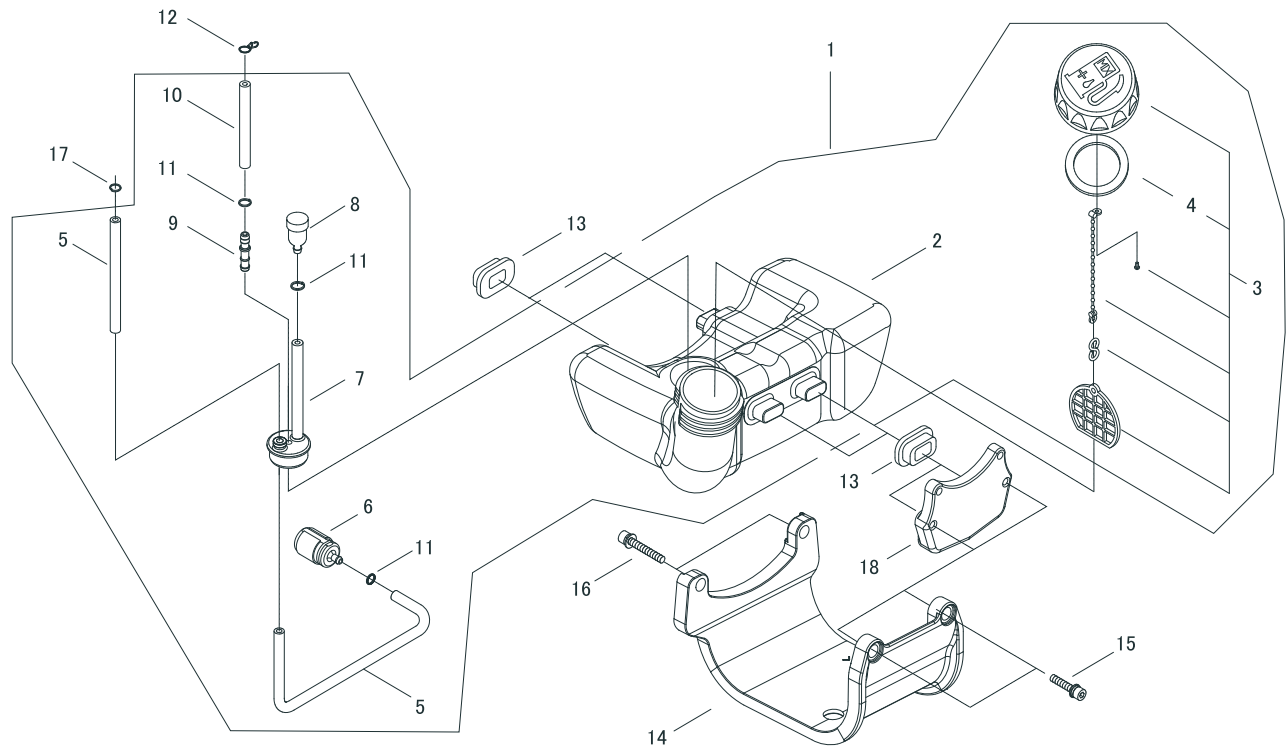
KEY	LV	PART NUMBER	Q'TY	DESCRIPTION	REMARKS	NOTE1	NOTE2
1		A021-002070	1	CARBURETOR ASSY			
2	+	P003-004620	1	VALVE ASSY, THROTTLE			
3	+	123172-45130	1	SWIVEL			
4	+	123149-54230	1	WASHER			
5	+	123173-07930	1	CLIP			
6	+	123128-54230	1	BRACKET, IDLE ADJUST			
7	+	P003-002630	1	CABLE ADJUSTER			
8	+	123153-56430	1	NUT, ADJUSTER			
9	+	123114-40630	2	SCREW			
10	+	123143-12110	1	RING, PACKING			
11	+	P003-004350	1	NEEDLE			
12	+	123140-05560	1	GASKET, M. DIAPHRAGM			
13	+	P003-000090	1	METERING, DIAPHRAGM			
14	+	P003-000510	1	BODY ASSEMBLY, PUMP			
15	++	123126-10631	1	SCREEN, INLET			
16	++	123137-19830	1	VALVE, INLET NEEDLE			
17	++	123122-05560	1	SPRING, METER. LEVER			
18	++	123139-05560	1	SCREW, M. LEVER PIN			
19	++	123138-03930	1	PIN, METERING LEVER			
20	++	123123-03930	1	LEVER, METERING			
21	+	123112-40630	1	DIAPHRAGM, PUMP			
22	+	123125-40630	1	GASKET, PUMP			
23	+	123180-05560	1	BODY, AIR PURGE			
24	+	123142-05560	1	COVER, PRIMER PUMP			
25	+	123181-40630	1	PUMP, PRIMER			
26	+	123110-05560	4	SCREW, PUMP COVER			

6. AIR CLEANER



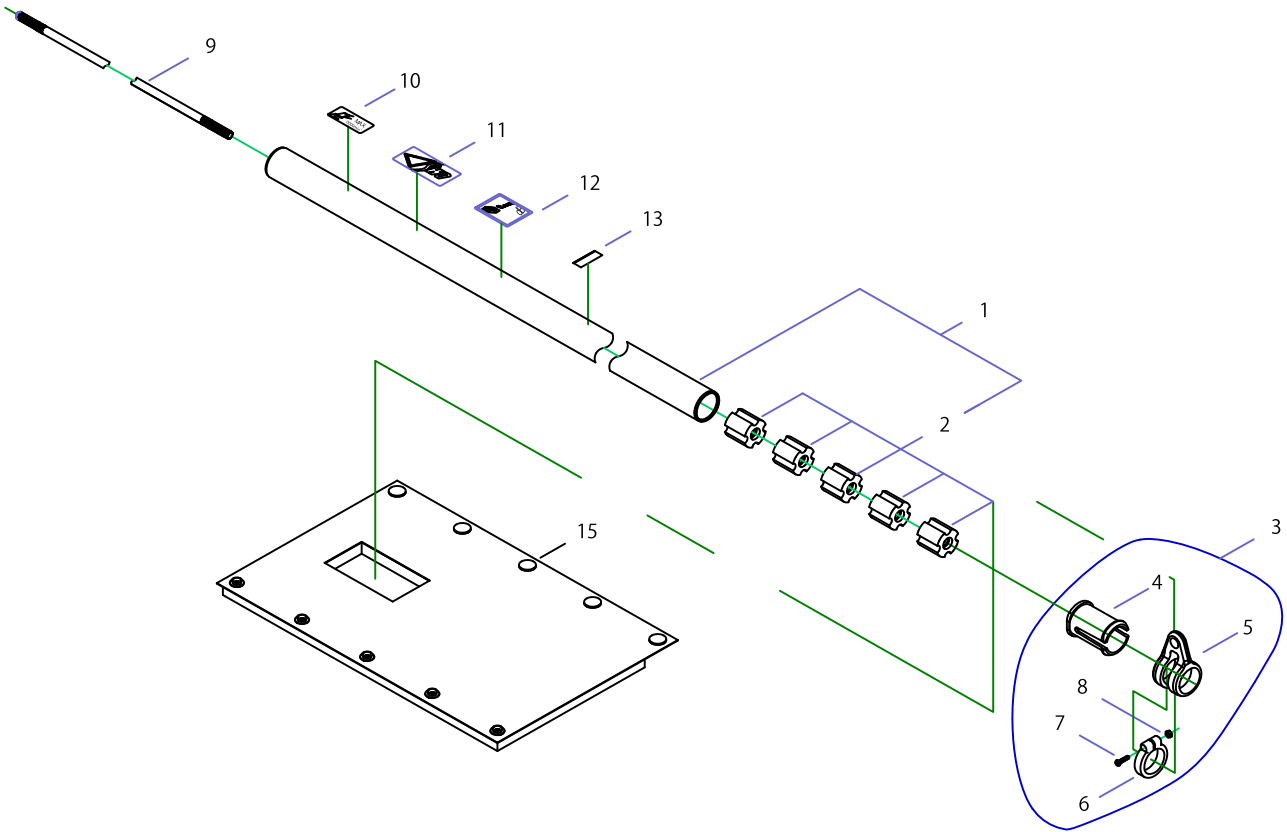
KEY	LV	PART NUMBER	Q'TY	DESCRIPTION	REMARKS	NOTE1	NOTE2
27		V103-000670	1	GASKET			
28		A023-000020	1	CLEANER BODY ASSY			
36	+	A242-000140	1	CHOKE LEVER			
37	+	V346-000050	1	WASHER,WAVE			
38	+	A243-000170	1	CHOKE PLATE			
39	+	91439-04012	1	SCREW,TRUSS,T			
29		A244-000120	1	BACK PLATE			
30		91109-05060	2	BOLT	CB-5*60		
31		A226-000570	1	FILTER			
32		A232-000640	1	CLEANER COVER ASSY			
33	+	A232-000630	1	CLEANER COVER			
34	+	V323-000080	1	COLLAR			
35	+	V299-000340	1	KNOB			

7. FUEL TANK



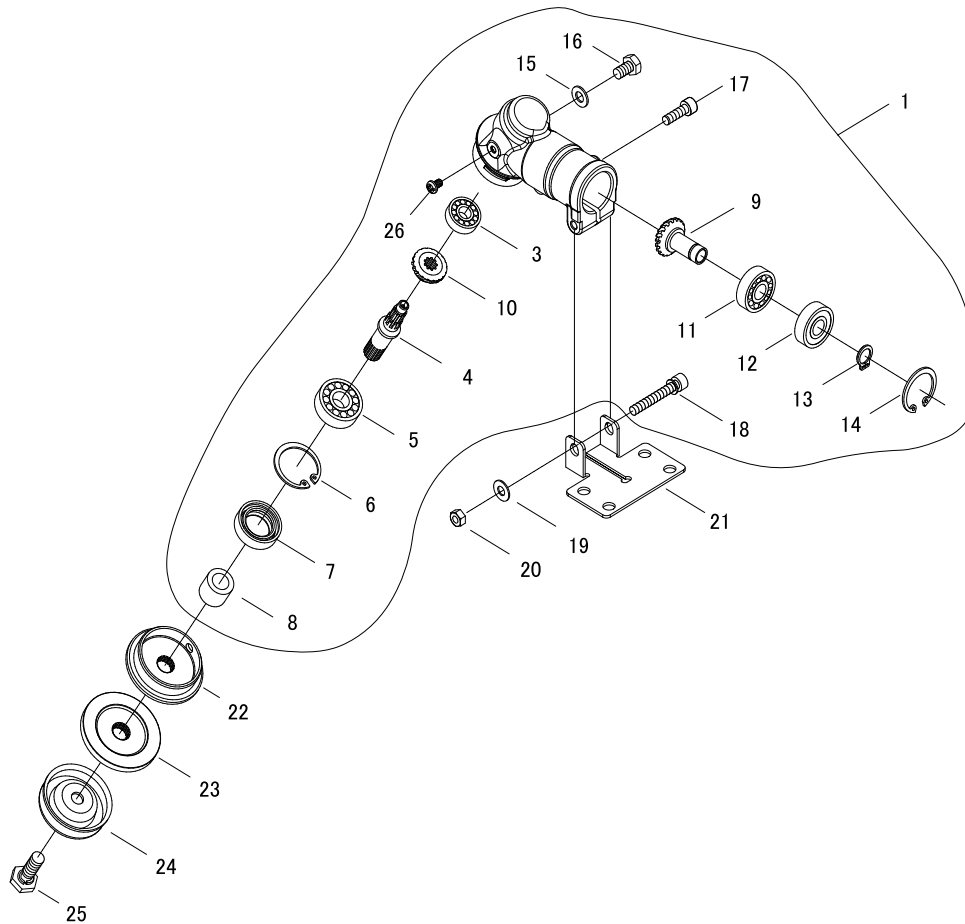
KEY	LV	PART NUMBER	Q'TY	DESCRIPTION	REMARKS	NOTE1	NOTE2
1		A038-000510	1	TANK,ASM FUEL			
2	+	A350-001090	1	FUEL TANK			
3	+	A033-000020	1	FUEL CAP ASSY			
4	++	V107-000010	1	GASKET			
5	+	V471-002480	1	FUEL PIPE			
6	+	131205-19831	1	STRAINER, FUEL			
7	+	V470-000890	1	GROMMET			
8	+	A356-000040	1	VALVE,CHECK			
9	+	V186-000210	1	JOINT			
10	+	V471-002490	1	PIPE			
11	+	V490-000500	3	CLIP			
12		V490-000510	1	CLIP			
13		V420-002220	4	TANK CUSHION			
14		A175-000080	1	TANK GUARD			
15		V203-000540	2	BOLT SPW			
16		V203-000520	2	BOLT SW			
17		V490-000500	1	CLIP			
18		A393-000100	1	TANK BRACKET			

8. MAIN PIPE



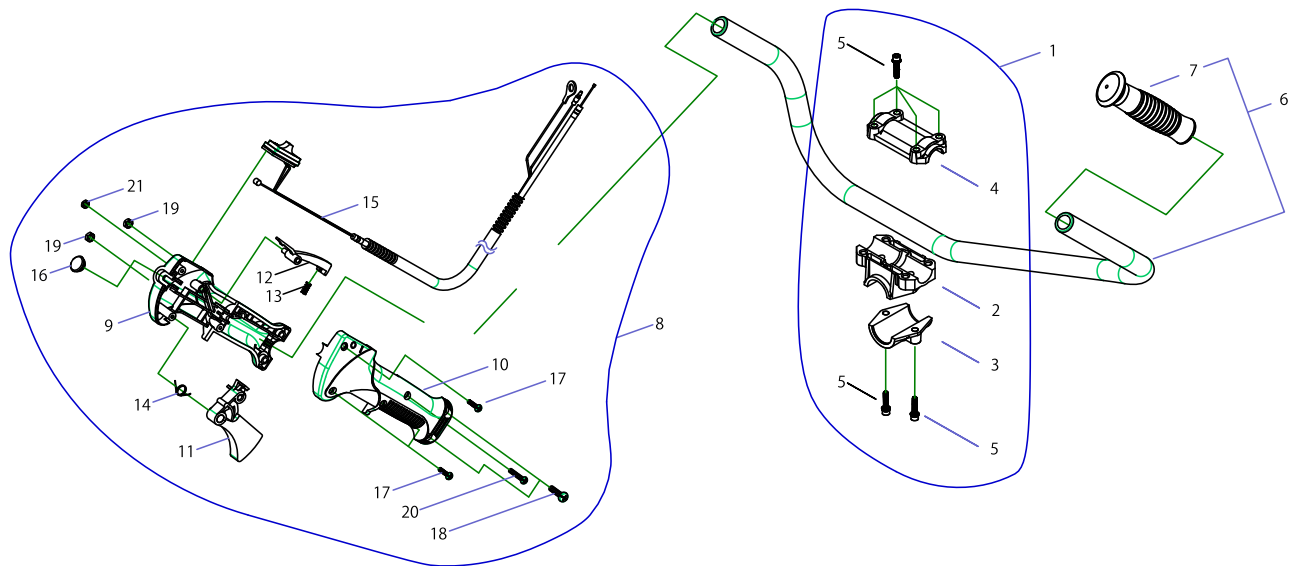
KEY	LV	PART NUMBER	Q'TY	DESCRIPTION	REMARKS	NOTE1	NOTE2
1		C050-002080	1	PIPE, MAIN			
2	+	C501-000010	5	BUSH			
3		C063-000000	1	HANGER ASSY			
4	+	V363-000110	1	COLLAR			
5	+	C670-000060	1	HANGER			
6	+	V495-001330	1	CLAMP			
7	+	91578-04016	1	SCREW PM			
8	+	900500-00004	1	NUT 4	4		
9		C504-000500	1	MAIN SHAFT			
10		X505-002900	1	LABEL CAUTION			
11		X505-002910	1	LABEL CAUTION			
12		X508-000260	1	LABEL DECIBEL			
13		X524-002380	1	HANDLE LABEL			
15		V420-002340	1	PROTECTOR			

9. GEAR CASE



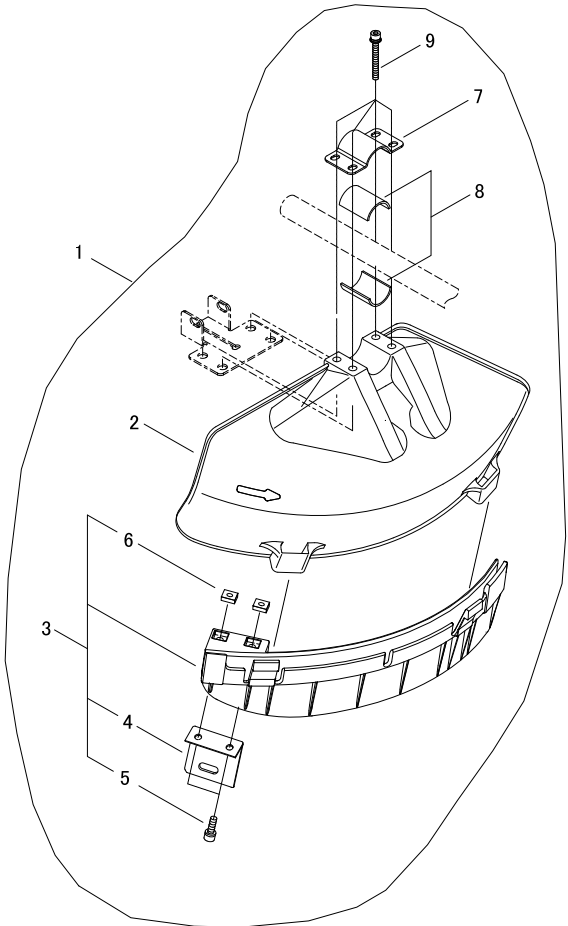
KEY	LV	PART NUMBER	Q'TY	DESCRIPTION	REMARKS	NOTE1	NOTE2
1		P021-025400	1	GEAR CASE SUB ASSY			
3	+	900810-00626	1	BEARING, BALL 626	626		
4	+	C534-000530	1	GEAR SHAFT			
5	+	900800-06000	1	BEARING, BALL 6000	6000		
6	+	92424-26000	1	SNAP RING			
7	+	V509-000000	1	OIL SEAL			
8	+	V356-000480	1	COLLAR			
9	+	V651-000380	1	PINION			
10	+	V651-000390	1	BEVEL GEAR			
11	+	900800-00609	1	BEARING, BALL 609	609		
12	+	900804-00609	1	BEARING, BALL 609	609ZZ		
13	+	92423-09000	1	SNAP RING			
14	+	92424-24000	1	SNAP RING			
15	+	900600-00006	1	WASHER 6	6		
16	+	91030-06010	1	BOLT			
17	+	900105-05010	1	BOLT, H.S. 5*10	5*10		
18	+	V203-000530	1	BOLT SW			
26	+	91570-04006	1	SCREW PM			
19		900603-00005	1	WASHER 5	5.5*12*0.8		
20		900500-00005	1	NUT 5	5		
21		C551-000050	1	LOWER CLAMP			
22		C535-000820	1	HOLDER			
23		C535-000830	1	HOLDER			
24		C535-000600	1	BOLT GUARD			
25		V216-000060	1	BOLT SW			

10. HANDLE



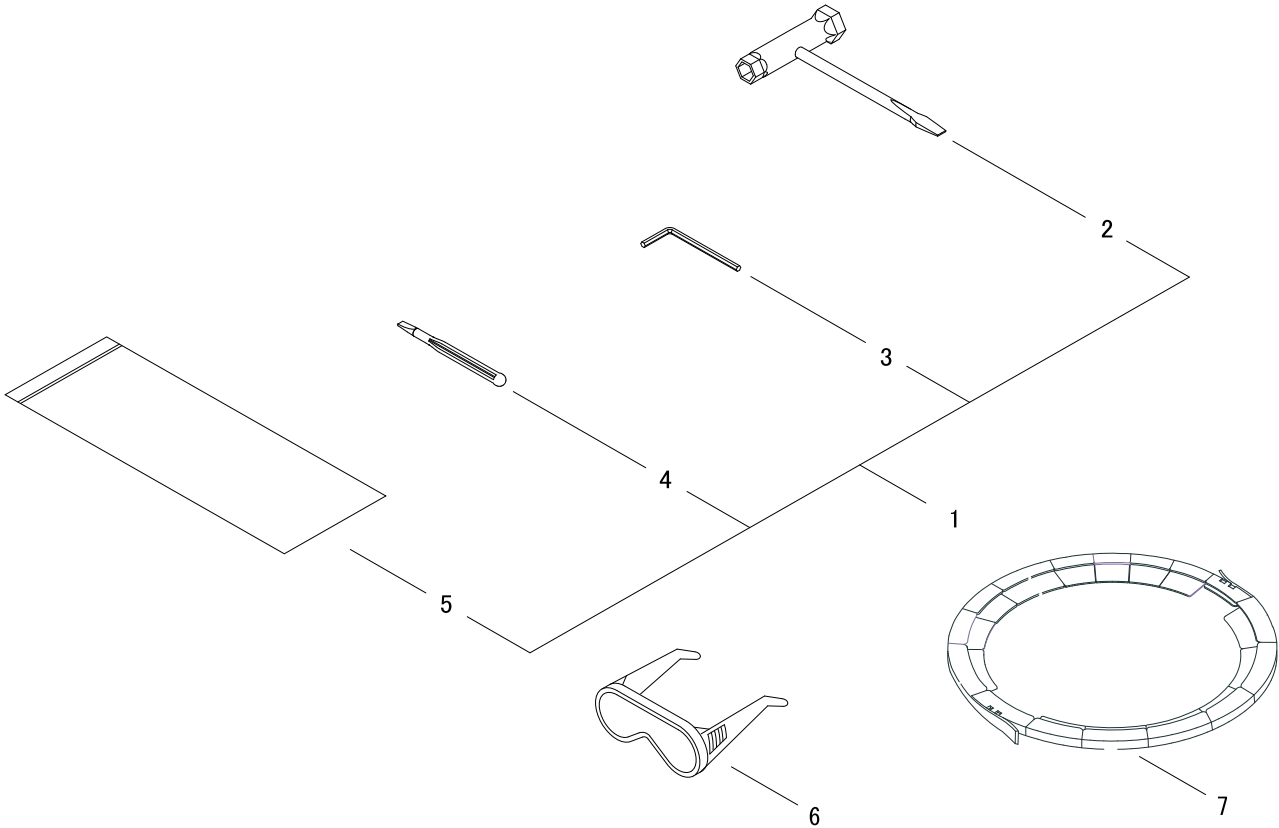
KEY	LV	PART NUMBER	Q'TY	DESCRIPTION	REMARKS	NOTE1	NOTE2
1		P021-024920	1	BRACKET ASSY			
2	+	C423-000440	1	BRACKET			
3	+	C423-000450	1	LOWER CAP			
4	+	C423-000520	1	UPPER CAP			
5	+	V203-000630	6	BOLT SPW			
6		P021-038460	1	HANDLE SUB ASSY			
7	+	C403-000210	1	GRIP			
8		C044-000370	1	THROTTLE LEVER ASSY			
9	+	C401-000100	1	BODY RIGHT			
10	+	C401-000110	1	BODY LEFT			
11	+	C450-000580	1	LEVER			
12	+	C460-000240	1	LOCK LEVER			
13	+	V450-001020	1	COIL SPRING			
14	+	V452-000690	1	COIL SPRING			
15	+	V043-000400	1	THROTTLE CABLE ASSY			
16	+	V162-000410	1	PLUG			
17	+	V252-000360	3	SCREW TAPPING			
18	+	V253-000580	2	SCREW PM			
19	+	92017-05000	2	NUT	M5		
20	+	V252-000090	1	SCREW			
21	+	V262-000100	1	NUT			

11. BLADE COVER



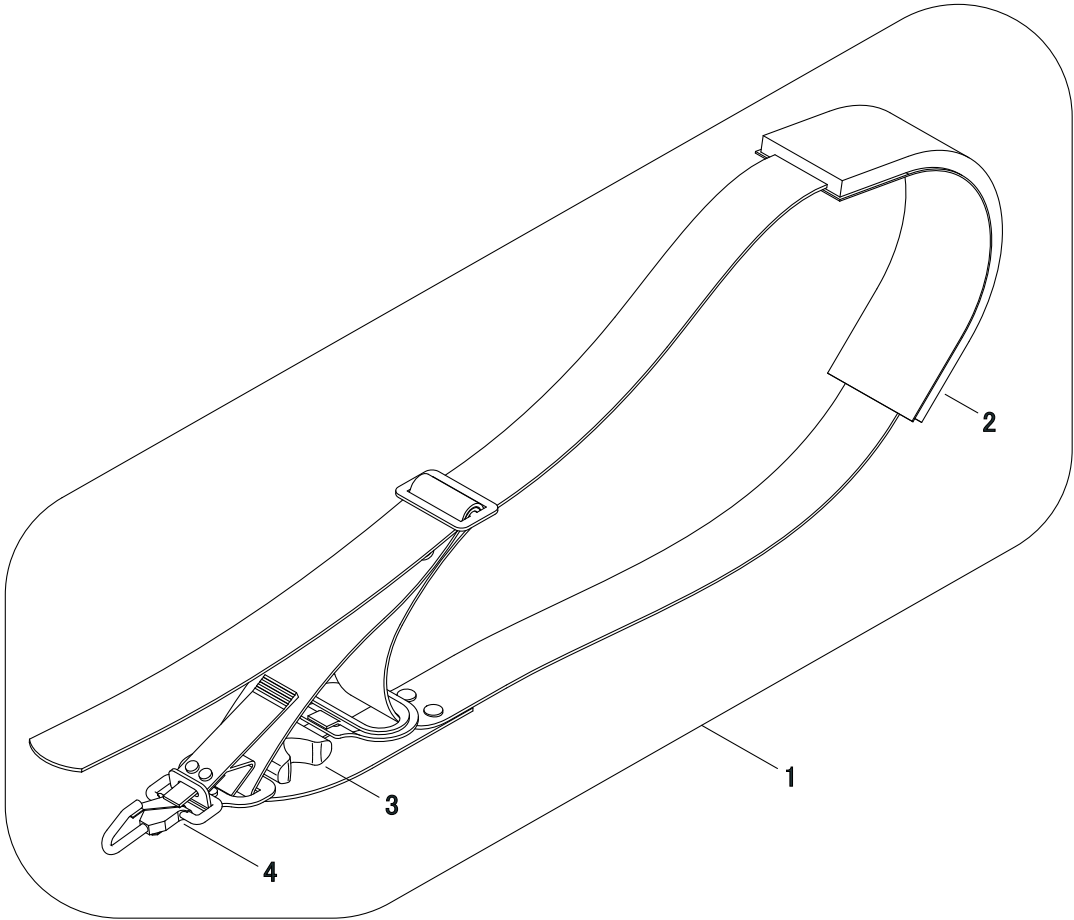
KEY	LV	PART NUMBER	Q'TY	DESCRIPTION	REMARKS	NOTE1	NOTE2
1		P021-028440	1	GUARD SET			
2	+	C550-000430	1	GUARD			
3	+	P021-028450	1	SUB GUARD ASSY			
4	++	C554-000040	1	CUTTER			
5	++	V203-000720	2	BOLT SW			
6	++	V263-000130	2	NUT			
7	+	C551-000060	1	UPPER CLAMP			
8	+	V375-000340	2	SPACER			
9	+	V203-000610	4	BOLT SPW			

12. TOOLS



KEY	LV	PART NUMBER	Q'TY	DESCRIPTION	REMARKS	NOTE1	NOTE2
1		P021-036380	1	TOOL SET			
2	+	X602-000120	1	TOOL,WRENCH	19-13		
3	+	X605-000100	1	TOOL,L WRENCH	4MM M5㉿		
4	+	X626-000000	1	SCRAPER			
5	+	X705-000100	1	BAG,PACKING	140*200*T0.08		
6		P021-002861	1	GOGGLES			
7		P021-034750	1	BLADE COVER			

13. HARNESS



KEY	LV	PART NUMBER	Q'TY	DESCRIPTION	REMARKS	NOTE1	NOTE2
1		C062-000330	1	STRAP ASSY			
2	+	C644-000080	1	PROTECTOR			
3	+	C645-000010	1	CUSHION HARNESS			
4	+	C649-000150	1	HOOK			

Index

Patrs Number	Key No.	Patrs Number	Key No.	Patrs Number	Key No.
123110-05560	6 - 26	93115-03010	4 - 2	C044-000370	10 - 8
123112-40630	6 - 21	A011-000700	3 - 7	C050-002080	8 - 1
123114-40630	6 - 9	A021-002070	6 - 1	C062-000330	13 - 1
123122-05560	6 - 17	A023-000020	6 - 28	C063-000000	8 - 3
123123-03930	6 - 20	A030-000110	1 - 8	C401-000100	10 - 9
123125-40630	6 - 22	A033-000020	7 - 3	C401-000110	10 - 10
123126-10631	6 - 15	A038-000510	7 - 1	C403-000210	10 - 7
123128-54230	6 - 6	A051-001570	5 - 1	C423-000440	10 - 2
123137-19830	6 - 16	A052-000340	5 - 11	C423-000450	10 - 3
123138-03930	6 - 19	A056-000260	3 - 8	C423-000520	10 - 4
123139-05560	6 - 18	A100-000530	3 - 1	C450-000580	10 - 11
123140-05560	6 - 12	A101-000290	3 - 2	C460-000240	10 - 12
123142-05560	6 - 24	A120-000130	2 - 6	C501-000010	8 - 2
123143-12110	6 - 10	A120-000140	2 - 2	C504-000500	8 - 9
123149-54230	6 - 4	A130-001120	1 - 1	C533-000050	5 - 4
123153-56430	6 - 8	A160-001290	2 - 21	C534-000530	9 - 4
123172-45130	6 - 3	A172-001700	2 - 11	C535-000600	9 - 24
123173-07930	6 - 5	A175-000080	7 - 14	C535-000820	9 - 22
123180-05560	6 - 23	A200-000440	1 - 4	C535-000830	9 - 23
123181-40630	6 - 25	A226-000570	6 - 31	C550-000430	11 - 2
131205-19831	7 - 6	A232-000630	6 - 33	C551-000050	9 - 21
159010-12530	4 - 17	A232-000640	6 - 32	C551-000060	11 - 7
900105-05010	9 - 17	A242-000140	6 - 36	C554-000040	11 - 4
900105-05012	1 - 17	A243-000170	6 - 38	C644-000080	13 - 2
900105-05016	1 - 3	A244-000120	6 - 29	C645-000010	13 - 3
900105-05025	2 - 9	A310-000170	1 - 10	C649-000150	13 - 4
900283-04008	1 - 14	A313-001220	1 - 12	C670-000060	8 - 5
900500-00004	8 - 8	A313-001230	1 - 13	P003-000090	6 - 13
900500-00005	9 - 20	A320-000870	2 - 22	P003-000510	6 - 14
900600-00006	9 - 15	A350-001090	7 - 2	P003-002630	6 - 7
900603-00005	9 - 19	A356-000040	7 - 8	P003-004350	6 - 11
900604-00005	1 - 16	A393-000100	7 - 18	P003-004620	6 - 2
900800-00609	9 - 11	A409-000470	4 - 1	P021-002861	12 - 6
900800-06000	9 - 5	A411-000610	4 - 4	P021-024920	10 - 1
900802-06000	2 - 12	A413-000000	2 - 24	P021-025400	9 - 1
900804-00609	9 - 12	A426-000050	4 - 10	P021-027250	3 - 14
900810-00626	9 - 3	A427-000060	4 - 18	P021-028010	2 - 1
91030-06010	9 - 16	A429-000090	4 - 19	P021-028020	2 - 5
91109-05055	1 - 15	A500-000690	5 - 2	P021-028040	2 - 10
91109-05060	6 - 30	A504-000100	5 - 6	P021-028440	11 - 1
91439-04012	6 - 39	A506-000190	5 - 3	P021-028450	11 - 3
91570-04006	9 - 26	A509-000310	5 - 8	P021-034750	12 - 7
91578-04016	8 - 7	A511-000160	5 - 9	P021-036380	12 - 1
92017-05000	10 - 19	A522-000040	5 - 10	P021-038460	10 - 6
92423-09000	9 - 13	A553-000060	3 - 9	V043-000400	10 - 15
92424-24000	9 - 14	A556-000610	2 - 14	V100-000340	1 - 2
92424-26000	2 - 13	A557-000040	3 - 11	V103-000660	1 - 5
92424-26000	9 - 6	A566-000050	3 - 10	V103-000670	6 - 27
92424-40000	2 - 19	A575-000190	2 - 18	V104-001090	1 - 7

Index

Patrs Number	Key No.	Patrs Number	Key No.	Patrs Number	Key No.
V104-001100	1 - 11	V505-000080	2 - 7		
V107-000010	7 - 4	V509-000000	9 - 7		
V162-000410	10 - 16	V553-000080	3 - 5		
V186-000210	7 - 9	V580-000070	3 - 4		
V202-000190	5 - 12	V583-000160	2 - 15		
V202-000200	2 - 23	V592-000310	2 - 3		
V202-000210	4 - 14	V592-000310	2 - 3		
V203-000520	7 - 16	V606-000030	3 - 3		
V203-000530	9 - 18	V622-000040	2 - 8		
V203-000540	2 - 16	V651-000380	9 - 9		
V203-000540	7 - 15	V651-000390	9 - 10		
V203-000580	1 - 6	X504-001180	2 - 25		
V203-000610	11 - 9	X504-006670	5 - 13		
V203-000620	2 - 20	X505-002900	8 - 10		
V203-000630	10 - 5	X505-002910	8 - 11		
V203-000720	11 - 5	X508-000260	8 - 12		
V216-000060	9 - 25	X524-002380	8 - 13		
V252-000090	10 - 20	X602-000120	12 - 2		
V252-000360	10 - 17	X605-000100	12 - 3		
V253-000310	5 - 7	X626-000000	12 - 4		
V253-000580	10 - 18	X705-000100	12 - 5		
V262-000100	10 - 21				
V263-000130	11 - 6				
V265-000140	4 - 3				
V299-000340	6 - 35				
V304-000150	3 - 13				
V306-000250	3 - 6				
V322-000040	4 - 13				
V323-000080	6 - 34				
V346-000040	3 - 12				
V346-000050	6 - 37				
V356-000480	9 - 8				
V363-000110	8 - 4				
V375-000340	11 - 8				
V420-002220	7 - 13				
V420-002340	8 - 15				
V450-001020	10 - 13				
V452-000460	5 - 5				
V452-000690	10 - 14				
V470-000890	7 - 7				
V471-002480	7 - 5				
V471-002490	7 - 10				
V475-006560	4 - 12				
V485-001370	4 - 11				
V490-000500	7 - 11				
V490-000500	7 - 17				
V490-000510	7 - 12				
V495-001330	8 - 6				
V505-000070	2 - 4				

YAMABIKO CORPORATION

7-2 SUEHIROCHO 1-CHOME, OHME, TOKYO 198-8760, JAPAN
PHONE: 81-428-32-6118. FAX: 81-428-32-6145.

shindaiwa[®]

11Fb
No. 03-038