

Shindaiwa Illustrated Parts List

B45- CE Brushcutter

CYLINDER / MUFFLER	2
CRANKCASE / FAN COVER	3
PISTON / CRANKSHAFT / CLUTCH	4
ROTOR / COIL ASSEMBLY	5
RECOIL STARTER / STARTER PULLEY	6
CARBURETOR / CLEANER	7
FUEL TANK	8
OUTER PIPE / MAINSHAFT	9
GEARCASE	10
THROTTLE LEVER / HANDLE	11
CUTTER GUARD / HARNESS	12
PULLER ASSEMBLIES	13
TOOL SET	14

www.shindaiwa.com

11975 SW Herman Road

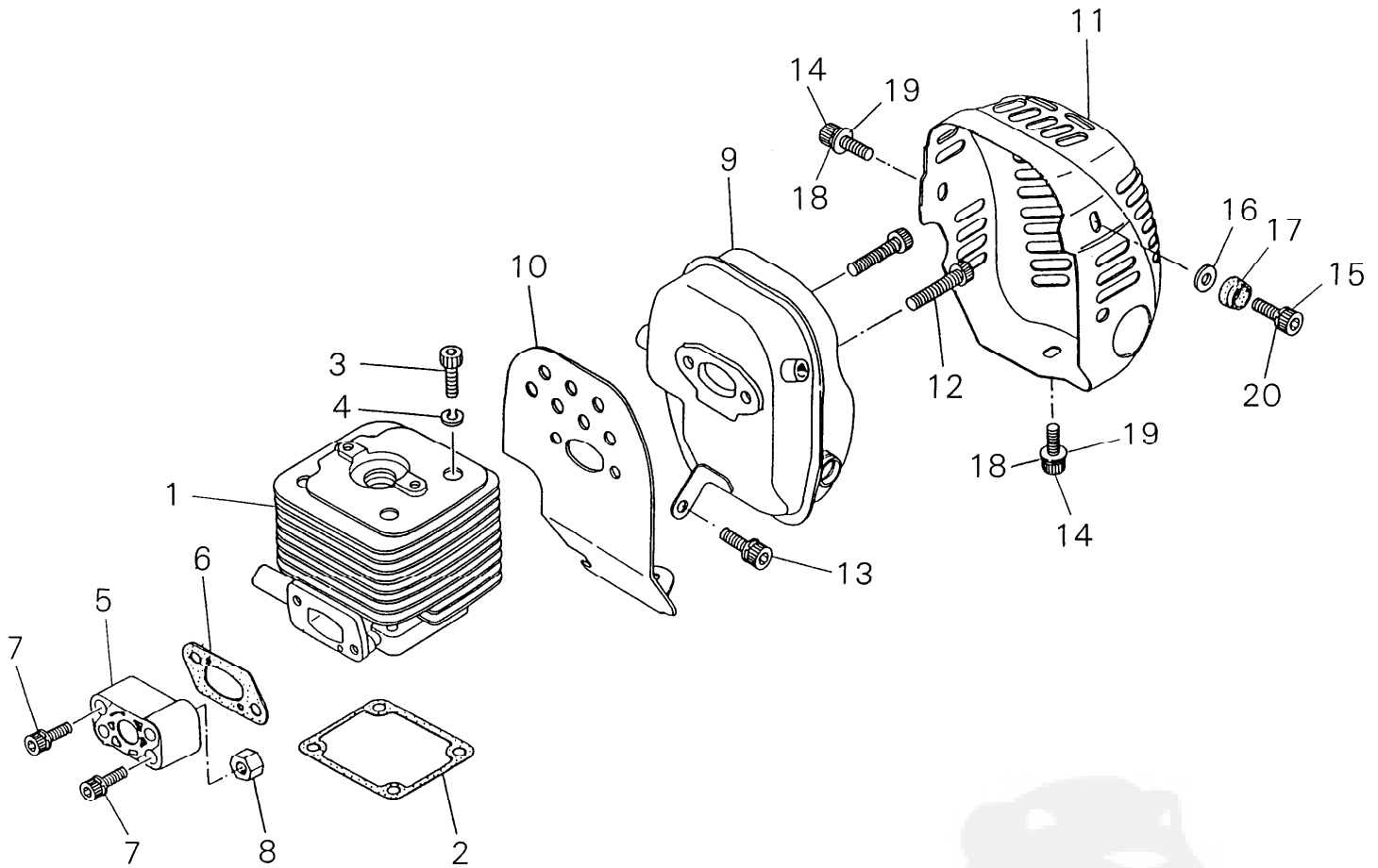
Tualatin, Oregon 97062, U.S.A.

1 + 503.692.3070 • fax 1 + 503.692.6696 •

shindaiwa

CYLINDER / MUFFLER

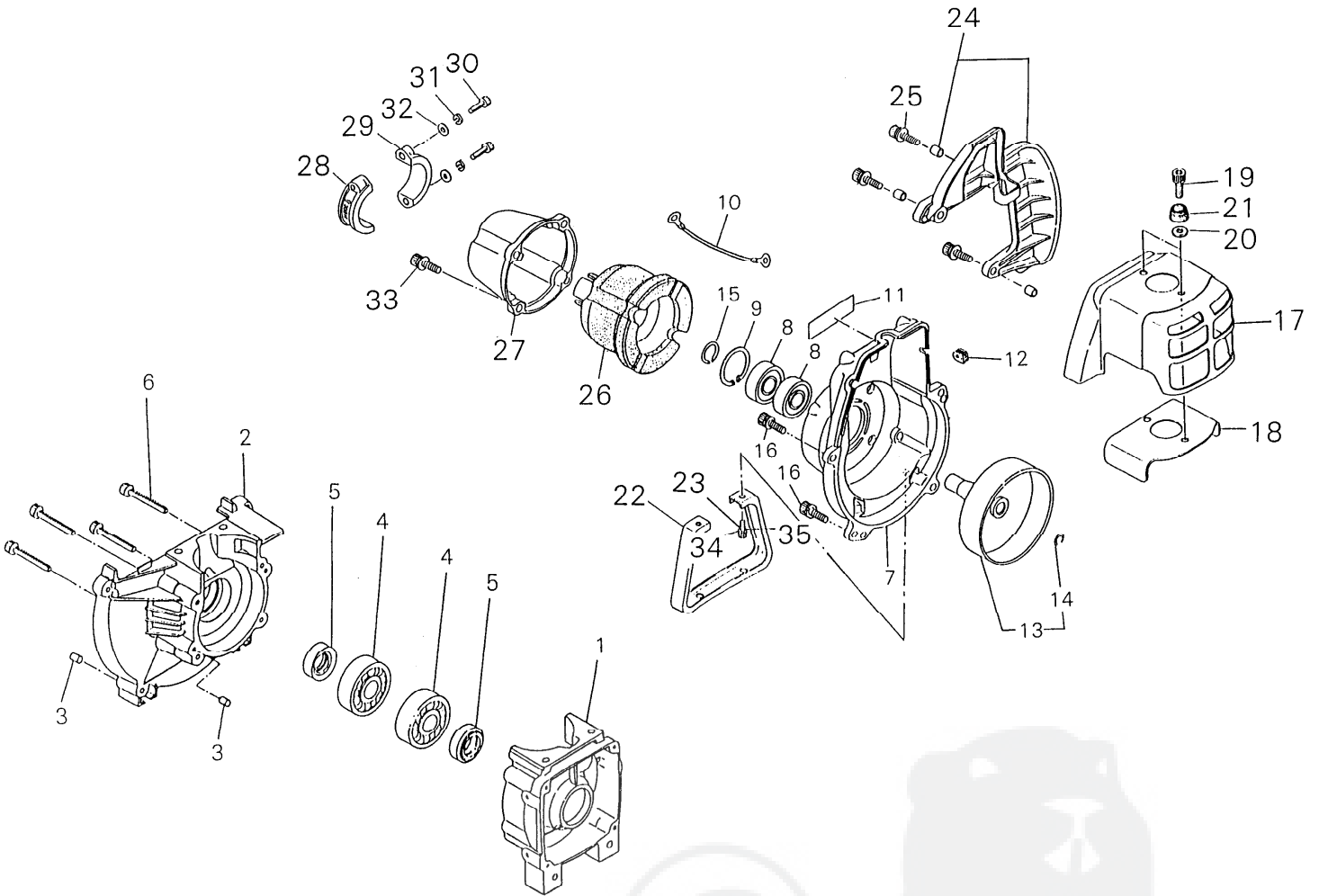
ILLUSTRATION 1 - REV 11/02



Ref. No	Part No.	Part Name	Q'ty
1-1	70210-12111	CYLINDER	1
2	20010-12120	GASKET CYLINDER	1
3	01020-05250	BOLT	4
4	01600-05131	SPRING WASHER	4
5	20060-12210	INSULATOR	1
6	20011-12220	GASKET	1
7	11022-05250	BOLT SPW	2
8	20024-12260	NUT	2
9	70210-15111	MUFFLER	1
10	70210-15211	GASKET	1
11	70196-15312	MUFFLER GUARD	1
12	01020-06250	BOLT	2
13	11024-05120	BOLT SLPW	1
14	01020-05105	BOLT	2
15	01020-05105	BOLT	1
16	70196-32150	WASHER	1
17	70196-32160	COVER	1
18	01600-05131	SPRING WASHER	2
19	01613-05080	WASHER	2
20	01600-05131	SPRING WASHER	1

CRANKCASE / FAN COVER

ILLUSTRATION 2 - REV 11/02



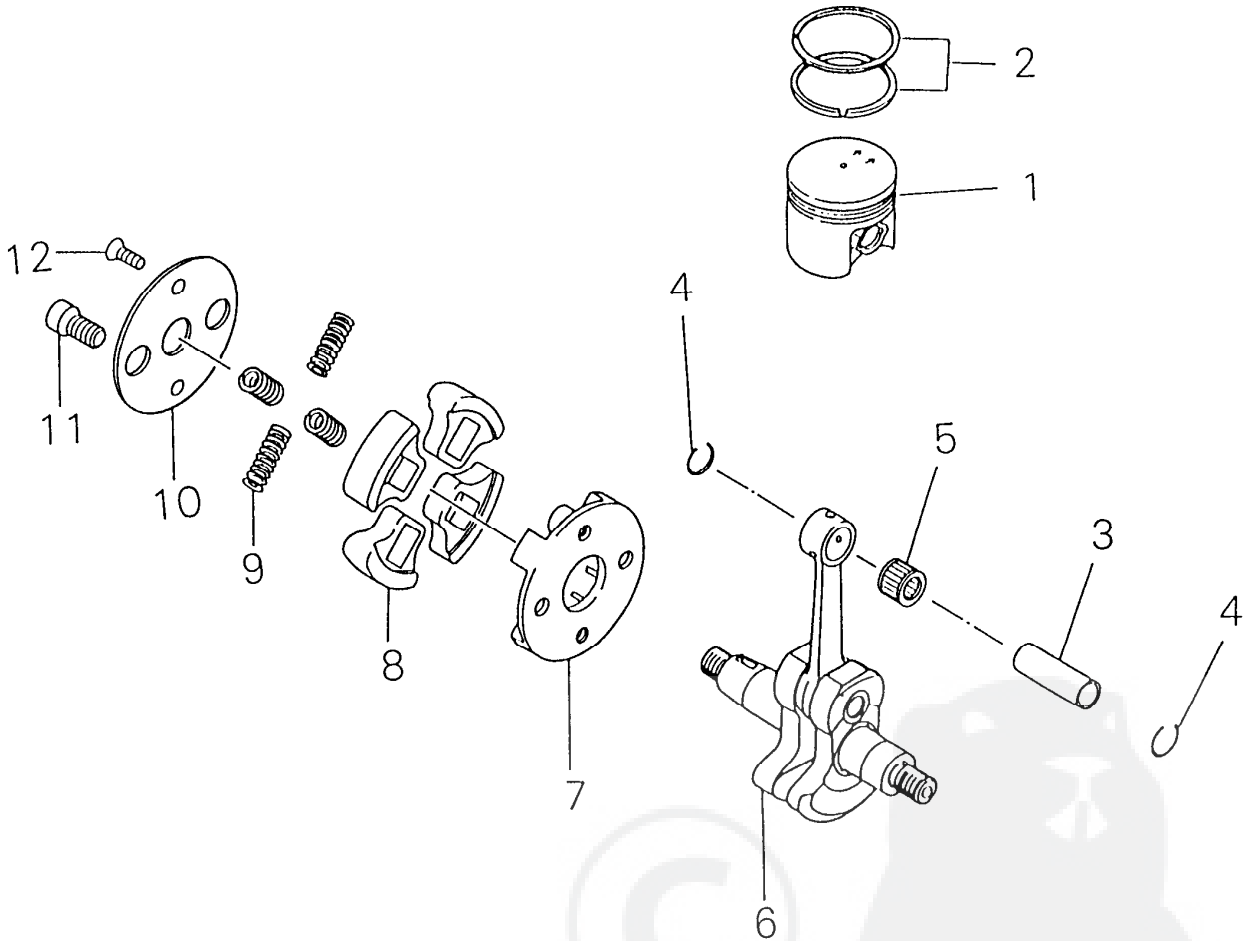
Ref. No	Part No.	Part Name	Q'ty
2-1	72540-98310	CRANKCASE ASSEMBLY	1
1	70062-21110	*CRANKCASE S	1
2	72921-21121	*CRANKCASE M	1
3	12492-50100	*ROLLER	4
4	12900-62020	*BEARING	2
5	20010-21211	*OIL SEAL	2
6	01020-05300	*BOLT	4
7	70012-31111	FAN COVER	1
8	02006-06002	BEARING	2
9	02432-32120	SNAP RING	1
10	70192-31510	EARTH CORD	1
11	70210-31150	LABEL TRADE	1
12	20011-72120	GROMMET	1
13	20021-31200	CLUTCH DRUM SET	1
14	20021-31220	*SNAP RING	1
15	20011-31230	SNAP RING	1
16	11022-05200	BOLT SPW	4
17	70210-32111	CYLINDER COVER	1

Ref. No	Part No.	Part Name	Q'ty
18	70196-32141	GASKET	1
19	11020-05140	BOLT SW	2
20	70196-32150	WASHER	2
21	70196-32160	COVER	2
22	70200-33112	STAND	1
23	01020-05200	BOLT	2
34	01600-05131	SPRING WASHER	2
35	01613-05080	WASHER	2
24	20011-34100	PROTECTOR ASSEMBLY	1
25	11024-04160	BOLT SLPW	3
26	20011-35110	JOINT	1
27	70012-35130	CAP JOINT	1
28	20011-35141	CLAMP A	1
29	20011-35151	CLAMP B	1
30	01020-05250	BOLT	2
31	01600-05131	SPRING WASHER	2
32	01610-05080	WASHER	2
33	11022-05200	BOLT SPW	4

* Denotes item is part of an assembly ** Denotes item is part of a sub-assembly

PISTON / CRANKSHAFT / CLUTCH

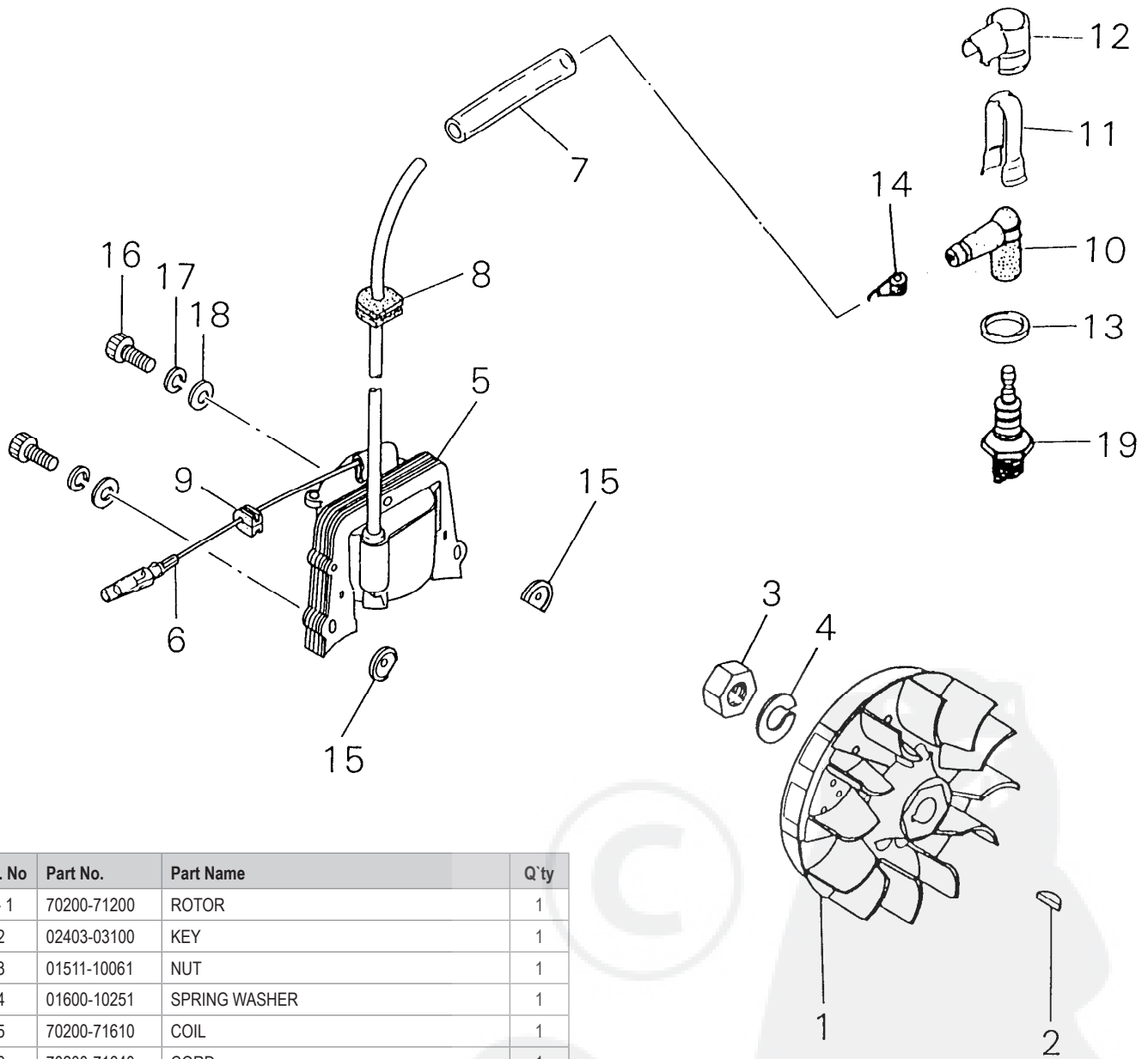
ILLUSTRATION 3 - REV 11/02



Ref. No	Part No.	Part Name	Q'ty
3-1	70210-41110	PISTON	1
2	22182-41210	PISTON RING	2
3	22160-41220	PISTON PIN	1
4	22100-41230	SNAP RING	2
5	22160-41240	BEARING SE	1
6	70210-42000	CRANKSHAFT ASSEMBLY	1
	70210-51100	CLUTCH SHOE ASSEMBLY	1
7	20020-51112	*CLUTCH BOSS	1
8	20020-51121	*CLUTCH SHOE	4
9	20020-51131	*SPRING	4
10	20020-51140	*PLATE	1
11	20020-51150	*CLUTCH BOLT	2
12	70210-51160	*SCREW FLAT	2

ROTOR / COIL ASSEMBLY

ILLUSTRATION 4 - REV 11/02

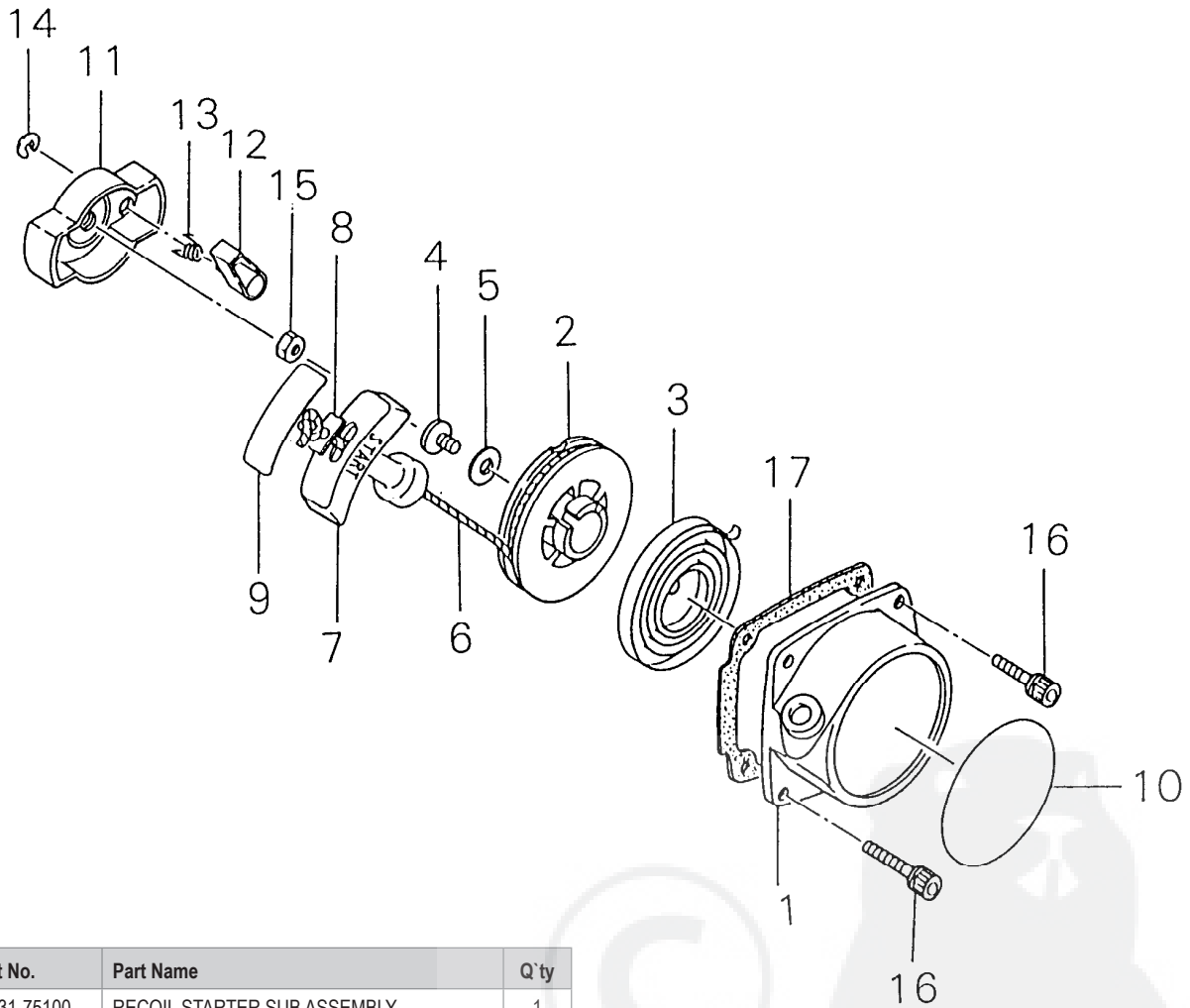


Ref. No	Part No.	Part Name	Q'ty
4-1	70200-71200	ROTOR	1
2	02403-03100	KEY	1
3	01511-10061	NUT	1
4	01600-10251	SPRING WASHER	1
5	70200-71610	COIL	1
6	70200-71640	CORD	1
7	20011-71660	TUBE	1
8	20011-72110	GROMMET	1
9	20011-72120	GROMMET	1
10	20010-72221	PLUG CAP	1
11	70180-72260	SHIELD	1
12	20000-72241	PLUG CAP COVER	1
13	20000-72250	COVER BAND	1
14	20000-72230	SPRING SPARKPLUG	1
15	20010-71631	SPACER COIL	2
16	01020-04240	BOLT	2
17	01600-04101	SPRING WASHER	2
18	20010-71650	WASHER	2
19	13000-13406	SPARKPLUG BMR6A	1

* Denotes item is part of an assembly ** Denotes item is part of a sub-assembly

RECOIL STARTER / STARTER PULLEY

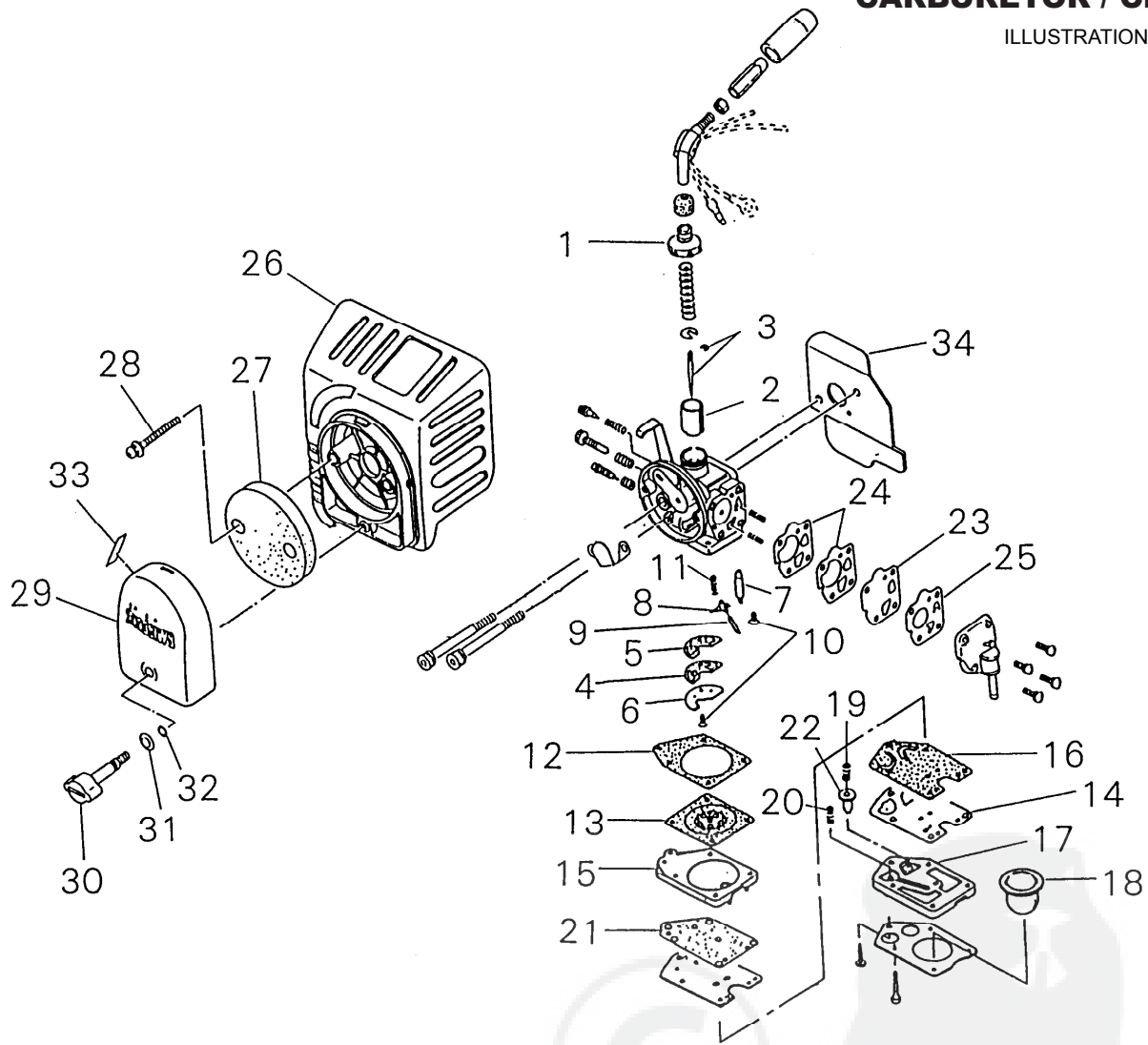
ILLUSTRATION 5 - REV 11/02



Ref. No	Part No.	Part Name	Q'ty
5-	70131-75100	RECOIL STARTER SUB ASSEMBLY	1
1	70131-75110	*STARTER CASE	1
2	70131-75120	*REEL	1
3	20024-75130	*RECOIL SPRING	1
4	20035-75170	*SCREW	1
5	70131-75140	*WASHER	1
6	20020-75180	*ROPE	1
7	20010-75190	*STARTER KNOB	1
8	20010-75210	*STOPPER	1
9	20010-75230	*TAPE	1
10	19420-00027	*LABEL TRADE	1
	70131-75200	STARTER PULLEY ASSEMBLY	1
11	70131-75211	*STARTER PULLEY	1
12	20024-75220	*RATCHET	1
13	20024-75230	*RETURN SPRING	1
14	20024-75240	*E-RING	1
15	20000-76210	NUT	1
16	11022-04160	BOLT SPW	4
17	20020-76110	GASKET STARTER	1

CARBURETOR / CLEANER

ILLUSTRATION 6 - REV 11/02



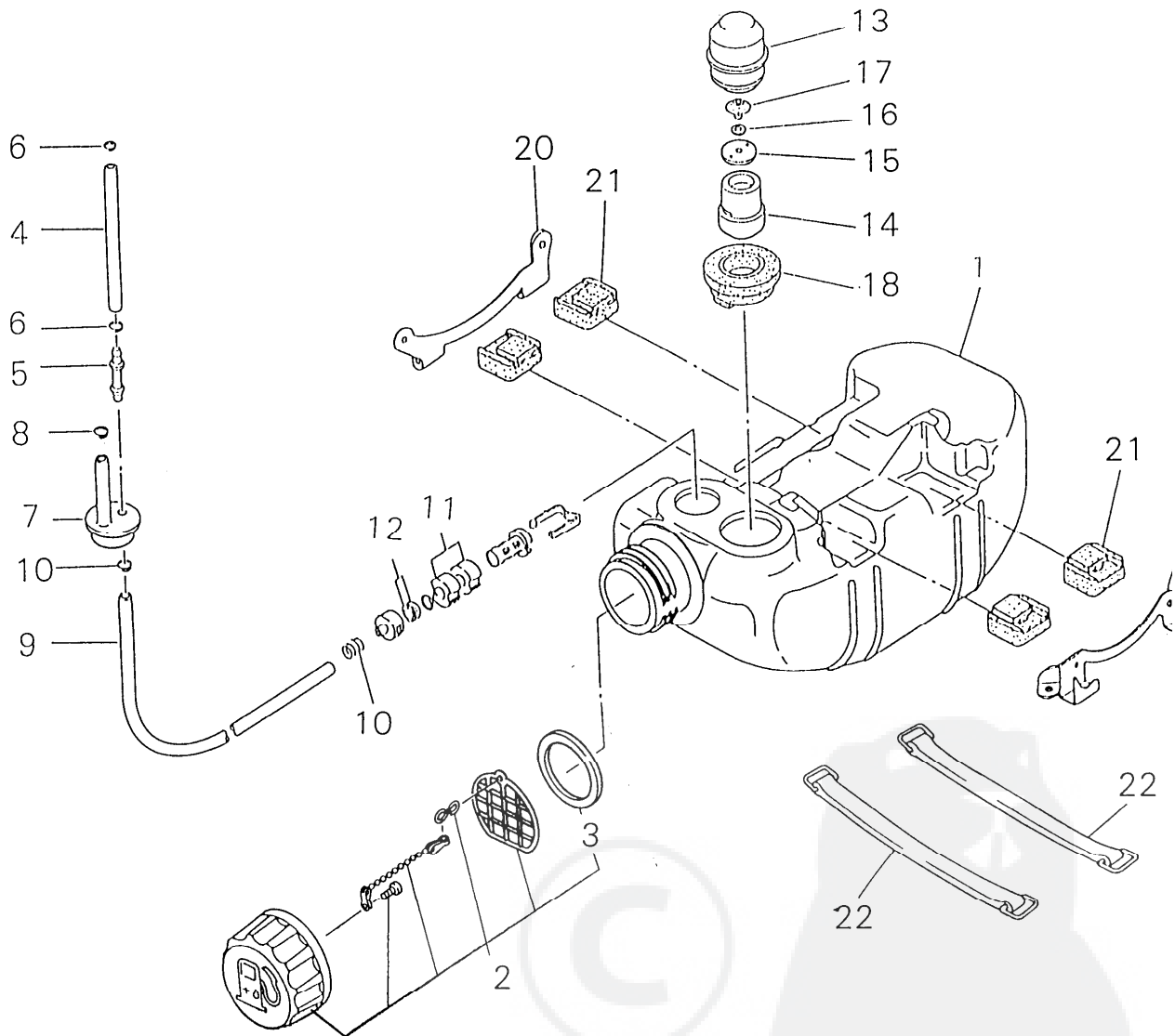
Ref. No	Part No.	Part Name	Q'ty
6-	70210-81021	CARBURETOR BODY SUB ASSEMBLY	1
1	20055-81120	*BODY CAP	1
2	70131-81180	*THROTTLE VALVE	1
3	70200-81170	*JET NEEDLE	1
4	20087-81411	*CHECK VALVE	1
5	20087-81420	*PACKING	1
6	70200-81430	*PLATE	1
7	20000-81441	*NEEDLE VALVE	1
8	20011-81451	*LEVER	1
9	20011-81460	*PIN	1
10	20011-81470	*SCREW	2
11	20040-81430	*SPRING	1
12	20087-81510	*GASKET	1
13	20087-81520	*DIAPHRAGM	1
14	20087-81540	*GASKET	1
15	20087-81550	*COVER	1
16	20087-81571	*CHECK VALVE	1

Ref. No	Part No.	Part Name	Q'ty
17	20087-81811	*PUMP BASE	1
18	20087-81820	*PUMP	1
19	20087-81851	*SPRING	1
20	20087-81870	*SPRING	1
21	20087-81890	*PACKING	1
22	20087-81861	*VALVE	1
23	20011-81621	*DIAPHRAGM	1
24	20011-81630	*GASKET	2
25	20087-81660	*PUMP VALVE	1
26	70102-81710	CLEANER BODY	1
27	20056-81740	FILTER	1
28	11260-04250	SCREW PMSLPW	2
29	20060-81770	CLEANER COVER	1
30	20060-81781	KNOB CLEANER COVER	1
31	20024-81790	CONE WASHER	1
32	22100-82430	O-RING	1
33	19404-00008	LABEL CHOKE	1
34	20021-83410	GASKET CARBURETOR	1

* Denotes item is part of an assembly ** Denotes item is part of a sub-assembly

FUEL TANK

ILLUSTRATION 7 - REV 11/02

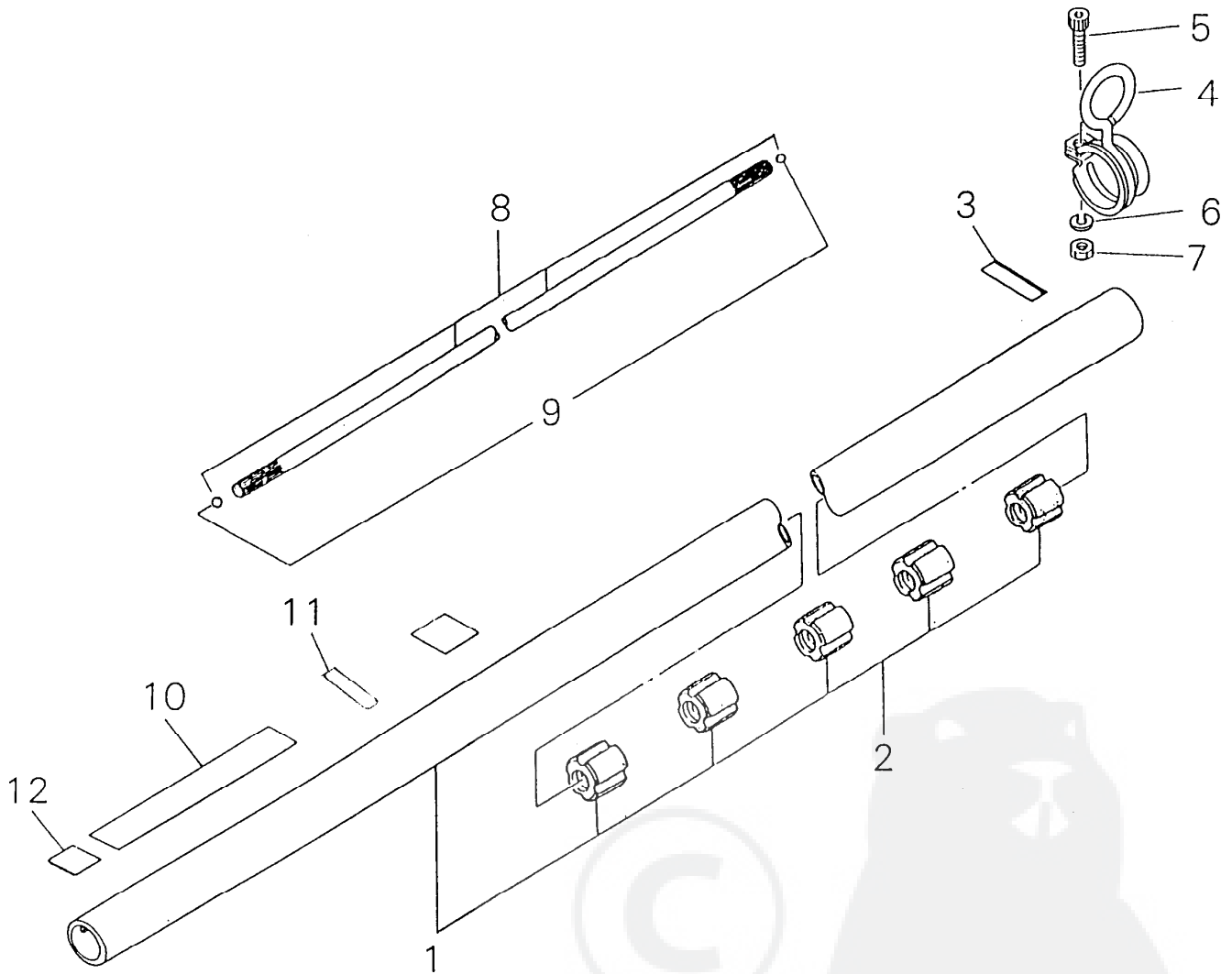


Ref. No	Part No.	Part Name	Q'ty
7-1	70200-85110	FUEL TANK	1
2	70168-85201	FUEL CAP ASSEMBLY	1
3	20000-85221	*GASKET	1
4	70200-85310	FUEL PIPE	1
5	72935-85330	JOINT	1
6	20020-85540	CLIP	2
7	70200-85350	GROMMET	1
8	20020-85540	CLIP	1
9	70200-85320	FUEL PIPE	1
10	20020-85540	CLIP	2
	22169-35400	FUEL FILTER SUB ASSEMBLY	1
11	22169-35420	*FILTER	2

Ref. No	Part No.	Part Name	Q'ty
12	22118-85460	*SCREEN	2
	20000-85500	BREATHER SUB ASSEMBLY	1
13	20000-85511	*CAP BREATHER	1
14	20000-85521	*HOLDER VALVE	1
15	22100-85240	*RETAINER FUEL	1
16	22100-85250	*WASHER FUEL	1
17	22100-85260	*VALVE FUEL	1
18	20000-85579	GROMMET BREATHER	1
19	20021-86110	BRACKETS	1
20	20011-86120	BRACKET M	1
21	20010-86130	CUSHION	4
22	20010-86140	BAND	2

OUTER PIPE / MAINSHAFT

ILLUSTRATION 8 - REV 11/02

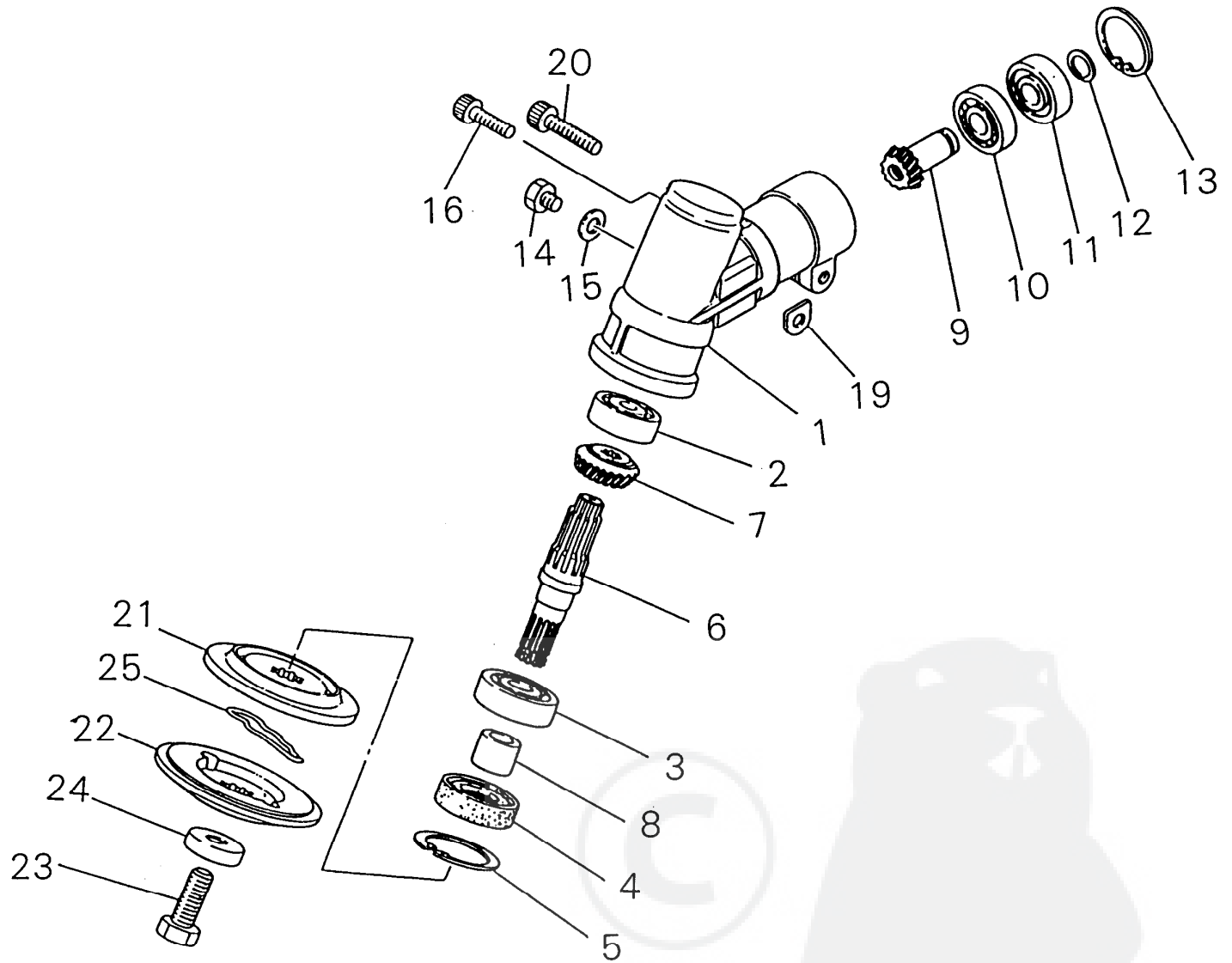


Ref. No	Part No.	Part Name	Q'ty
8-1	72551-12101	OUTER PIPE SUB ASSEMBLY	1
2	22021-12120	*BUSHING	5
3	72005-12140	*CAUTION PLATE	1
11	72017-12150	*HANDLE LABEL	1
4	22017-12210	HANGER	1
5	01020-05120	BOLT	1
6	01600-05131	SPRING WASHER	1
7	01500-05041	NUT	1
8	72550-12400	MAINSHAFT SUB ASSEMBLY	1
9	22021-12420	*STOPPER	2
10	19422-00010	LABEL CAUTION	1
12	19402-00223	LABEL CAUTION	1

* Denotes item is part of an assembly ** Denotes item is part of a sub-assembly

GEARCASE

ILLUSTRATION 9 - REV 11/02

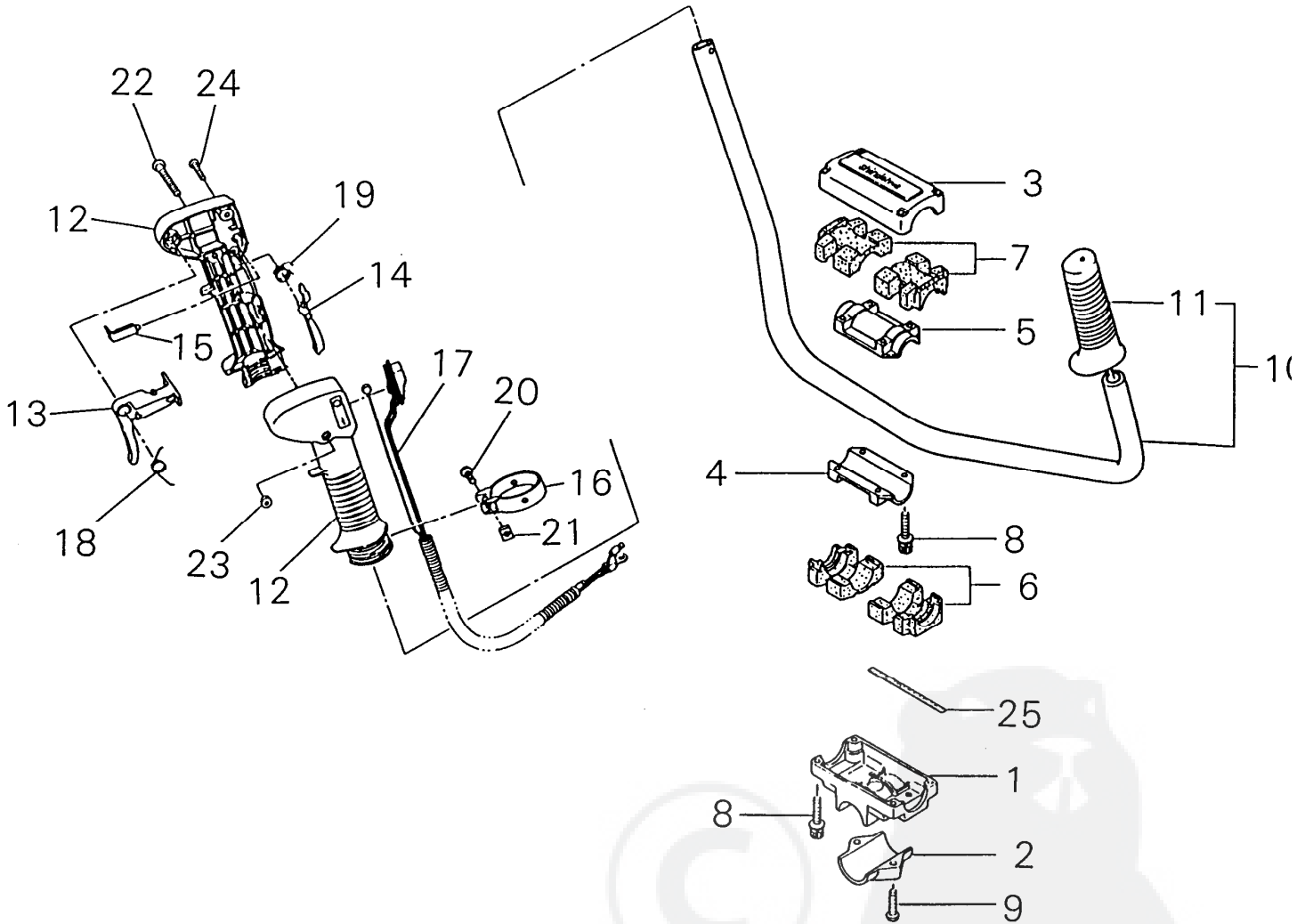


Ref. No	Part No.	Part Name	Q'ty
9-	72080-13010	GEARCASE SUB ASSEMBLY	1
1	72017-13111	*GEARCASE	1
2	02006-06000	*BEARING	1
3	02000-06202	*BEARING	1
4	22015-13120	*OIL SEAL	1
5	02432-35150	*SNAP RING	1
6	22015-13210	*GEARSHAFT	1
7	22015-13220	*BEVEL GEAR	1
8	22015-13230	*COLLAR	1
9	22021-13390	*PINION SET	1
10	02000-06001	*BEARING	1
11	02002-06001	*BEARING	1

Ref. No	Part No.	Part Name	Q'ty
12	20000-31140	*SNAP RING	1
13	02432-28120	*SNAP RING	1
14	22015-13410	*BOLT	1
15	22015-13420	*GASKET	1
16	11022-06140	*BOLT SPW	1
19	22011-13450	*SHIM	1
20	11022-06280	*BOLT SPW	1
21	22015-13241	HOLDER A	1
22	22015-13251	HOLDER B	1
23	22015-13261	BOLT	1
24	22015-13270	BOLT GUARD	1
25	22015-13290	SLIDE PIN	1

THROTTLE LEVER / HANDLE

ILLUSTRATION 11 - REV 11/02



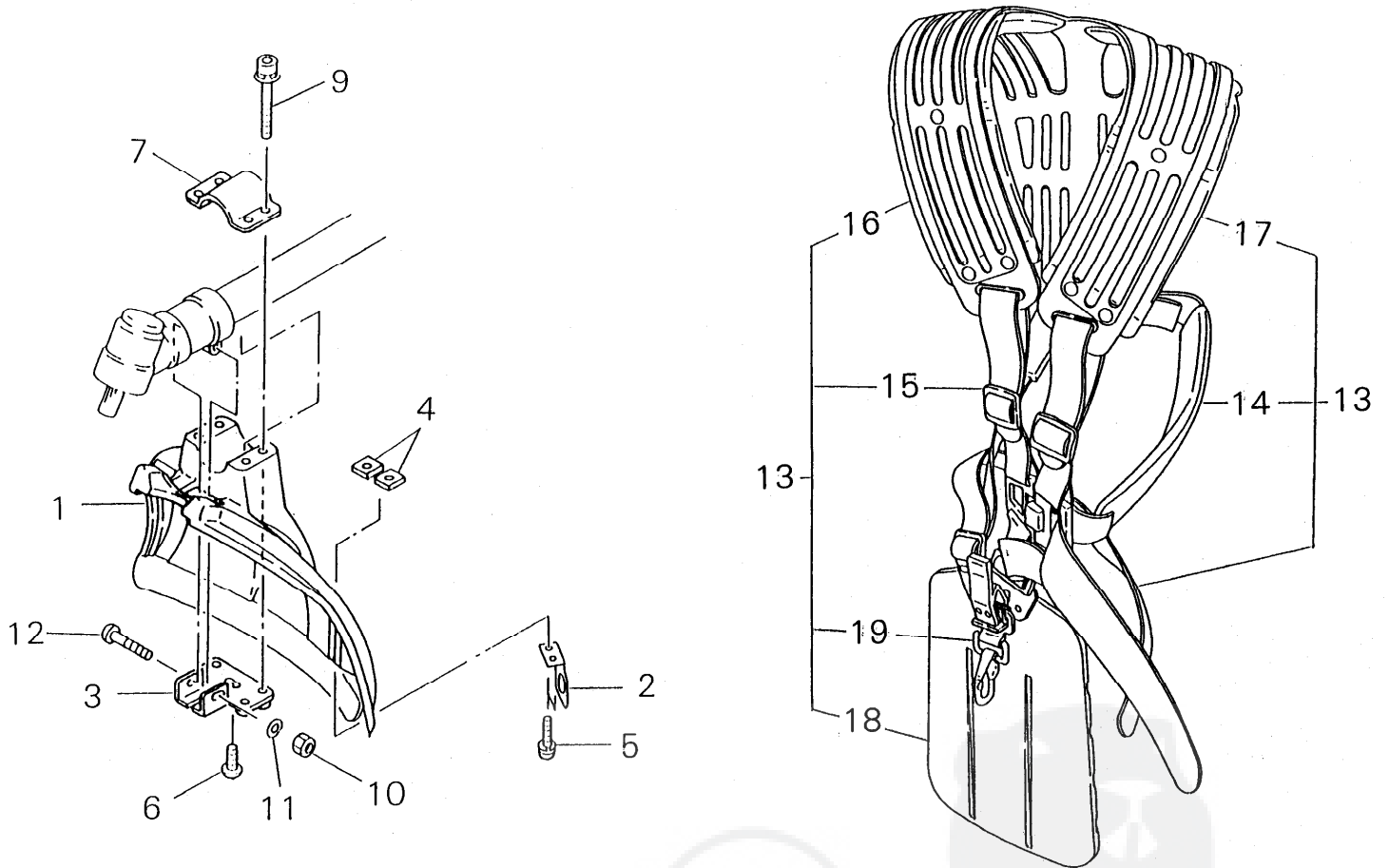
Ref. No	Part No.	Part Name	Q'ty
11-	72017-14100	BRACKET SUB ASSEMBLY	1
1	72017-14110	*HANDLE BRACKET	1
2	72017-14120	*LOWER CAP	1
3	72017-14130	*UPPER CAP	1
4	22015-14140	*LOWER CLAMP	1
5	22015-14150	*UPPER CLAMP	1
6	22015-14160	*LOWER CUSHION	2
7	22015-14170	*UPPER CUSHION	2
8	11022-05250	*BOLT SPW	8
9	11210-06250	*SCREW BUTTON	2
25	72514-14190	EARTH CORD	1
10	72540-14201	HANDLE SUB ASSEMBLY	1
11	72451-14320	*GRIP	1

Ref. No	Part No.	Part Name	Q'ty
	72451-14502	THROTTLE LEVER ASSEMBLY	1
12	72451-14600	*BODY SUB ASSEMBLY	1
13	72451-14530	*LEVER	1
14	72451-14540	*LOCK LEVER	1
15	72451-14550	*BUTTON	1
16	72451-14560	*CLAMP	1
17	72451-14570	*THROTTLE CABLE COMP	1
18	72451-14580	*RETURN SPRING	1
19	72451-14590	*SPRING	1
20	01020-06200	*BOLT	1
21	72451-14610	*NUT	1
22	11203-05351	*SCREW PM	1
23	72451-14630	*NUT	1
24	72451-14620	*SCREW TAPPING	1

* Denotes item is part of an assembly ** Denotes item is part of a sub-assembly

CUTTER GUARD / HARNESS

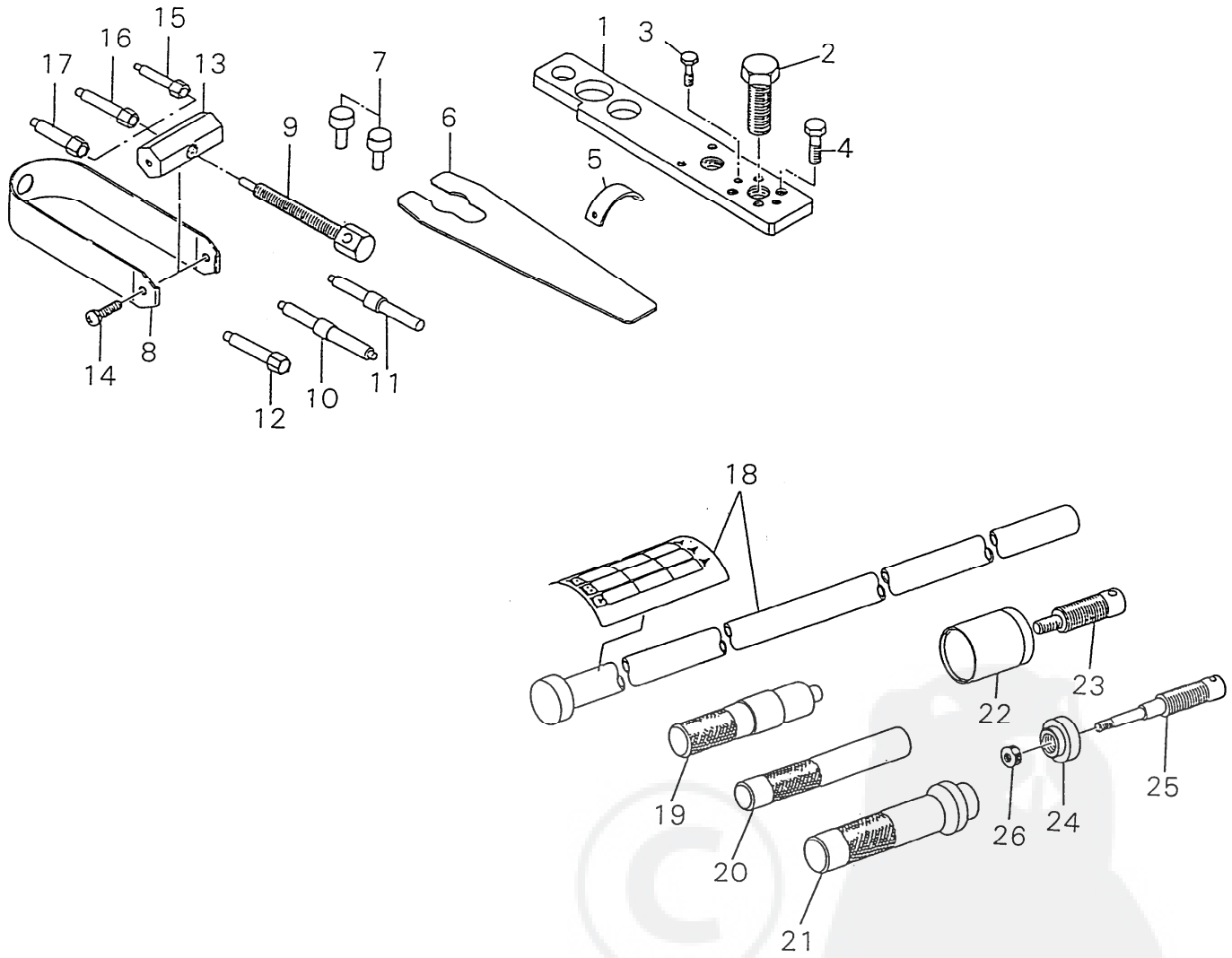
ILLUSTRATION 12 - REV 11/02



Ref. No	Part No.	Part Name	Q'ty
12- 1	72480-16113	GUARD	1
2	72480-16121	CUTTER	1
3	72017-16130	LOWER CLAMP	1
4	22420-16120	NUT	2
5	11020-05160	BOLT SW	2
6	11202-40100	SCREW HILO 4 X 10	1
7	72480-16210	UPPER CLAMP	1
9	11022-05450	BOLT SPW	4
10	01500-06051	NUT	1
11	01613-06100	WASHER	1
12	11022-06400	BOLT SPW	1
13	72451-17203	HARNESS ASSEMBLY	1
14	22007-17220	*PROTECTOR	1
15	72451-17230	*BUCKLE	4
16	72451-17241	*PAD RIGHT	1
17	72451-17251	*PAD LEFT	1
18	72451-17262	*PAD	1
19	72451-17271	*HOOK	1

PULLER ASSEMBLIES

ILLUSTRATION 13 - REV 11/02



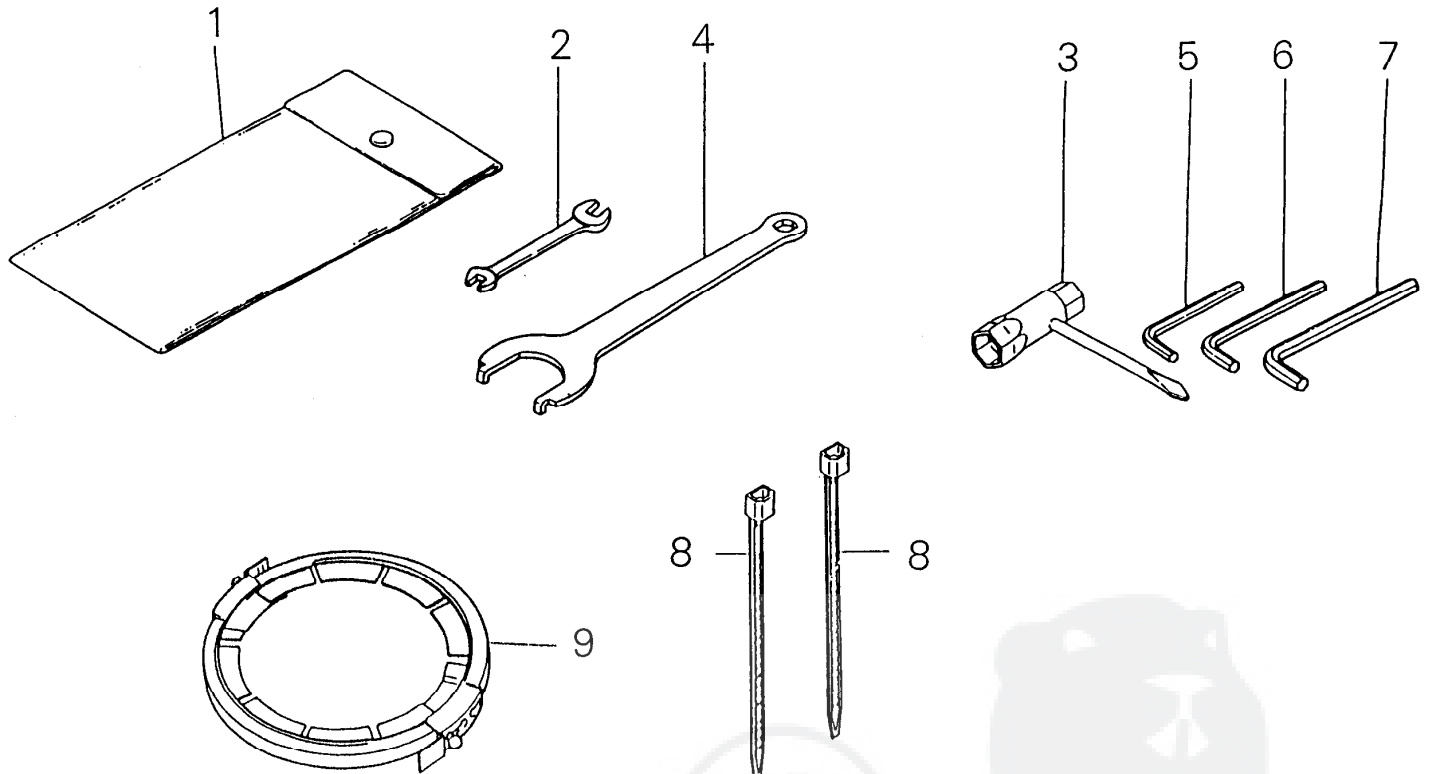
Ref. No	Part No.	Part Name	Q'ty
13-	20000-96104	PULLER ASSEMBLY	1
1	20000-96114	*LEVER	1
2	22100-96121	*CENTER BOLT	1
3	20000-96130	*BOLT	3
4	20000-96140	*BOLT	2
5	20000-96210	AIR GAP GAUGE	1
6	20000-96411	ROTOR SPANNER	1
7	20021-96420	STOPPER	2
	20021-96601	PULLER ASSEMBLY	1
8	20021-96611	*PULLER	1
9	20021-96621	*BOLT	1
12	20021-96630	*GUIDE PIN	1
13	20000-96640	*BOSS	1
14	01211-06120	*SCREW SW	2

Ref. No	Part No.	Part Name	Q'ty
15	20021-96650	*PIN ADAPTER	1
16	20021-96660	*PIN ADAPTER	1
17	20021-96670	*PIN ADAPTER	1
	22000-96101	ROD BUSHING ASSEMBLY	1
19	22015-96210	ROD	1
20	22015-96310	ROD	1
21	22015-96410	ROD	1
	22015-96500	PULLER ASSEMBLY	1
22	22015-96510	*HOLDER	1
23	22015-96520	*BOLT	1
	22015-96600	PULLER ASSEMBLY	1
24	22015-96610	*HOLDER A	1
25	22000-96621	*BOLT	1
26	22000-96630	*NUT	1

* Denotes item is part of an assembly ** Denotes item is part of a sub-assembly

TOOL SET

ILLUSTRATION 10 - REV 11/02



Ref. No	Part No.	Part Name	Q'ty
10-	72518-91000	TOOLSET	1
2	22000-91120	*SPANNER	1
3	72518-91180	*WRENCH 17 X 19	1
4	22011-97130	*SPANNER D	1
5	09026-03001	*HEX A WRENCH	1
6	09026-04001	*HEX A WRENCH	1
7	09026-05001	*HEX A WRENCH	1
8	72431-12190	BAND	2
9	19601-00300	BLADE COVER	1



shindaiwa

www.shindaiwa.com

11975 SW Herman Road, Tualatin, Oregon 97062, U.S.A.

1 + 503.692.3070 • fax 1 + 503.692.6696 •

Item #xxxx Effective 11/02