

Parts Manual for

SNAPPER®

21" STEEL DECK EASY LINE EUROPEAN SWIVEL WHEEL WALK MOWER

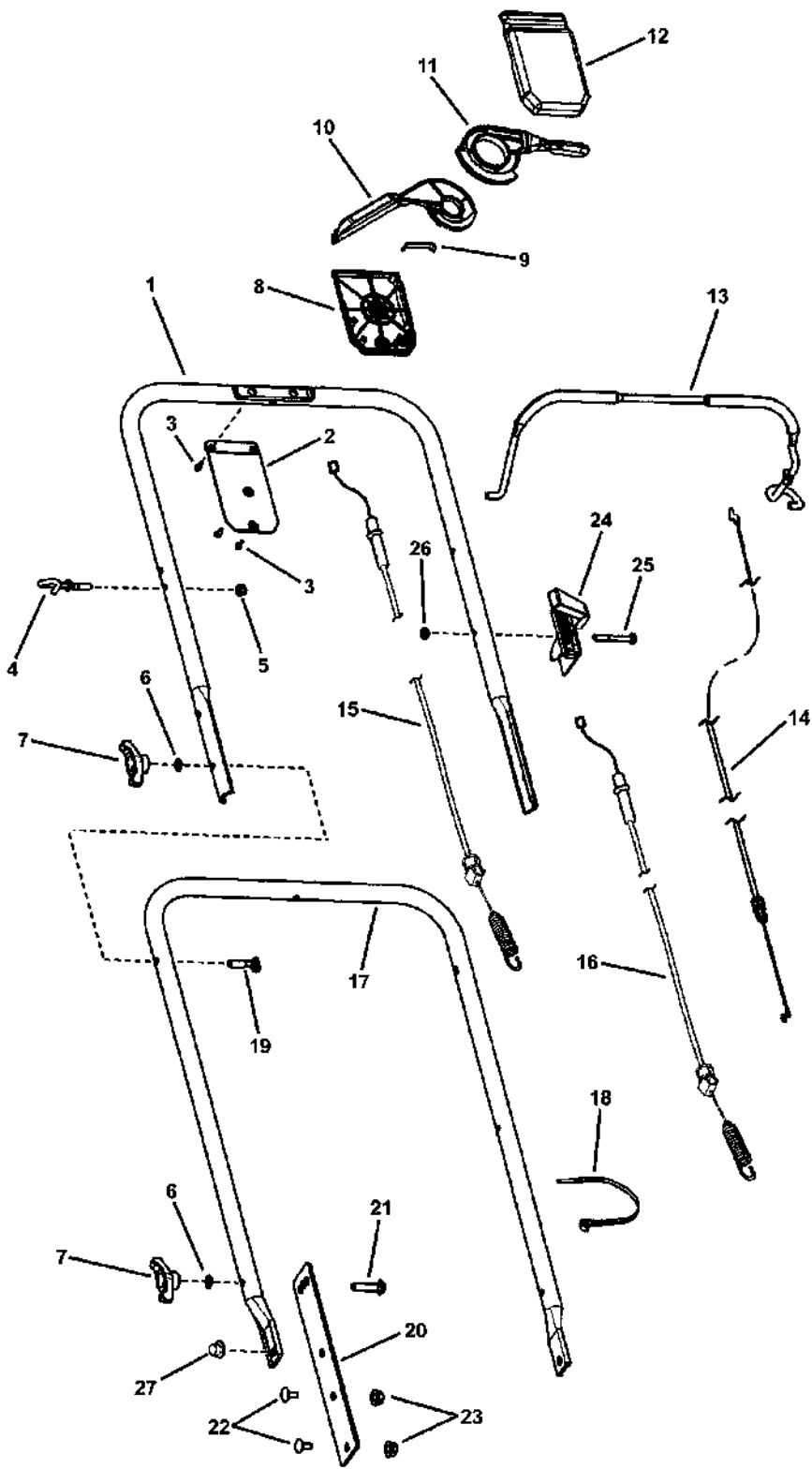


| |
|----------------|
| MODEL |
| ESPV21S |

SNAPPER® McDonough, GA, 30253 U.S.A.

| PAGE | GROUP |
|-------------|--------------------------------|
| 4 | HANDLES & CONTROLS |
| 6 | GUARDS AND COVERS |
| 8 | FRONT WHEELS |
| 10 | REAR WHEELS |
| 12 | REAR DECK BRACKETS & IDLER ARM |
| 14 | TRANSMISSION |
| 16 | ENGINE AND BLADE |
| 18 | BAGGING COMPONENTS |
| 20 | DECALS |

HANDLES & CONTROLS

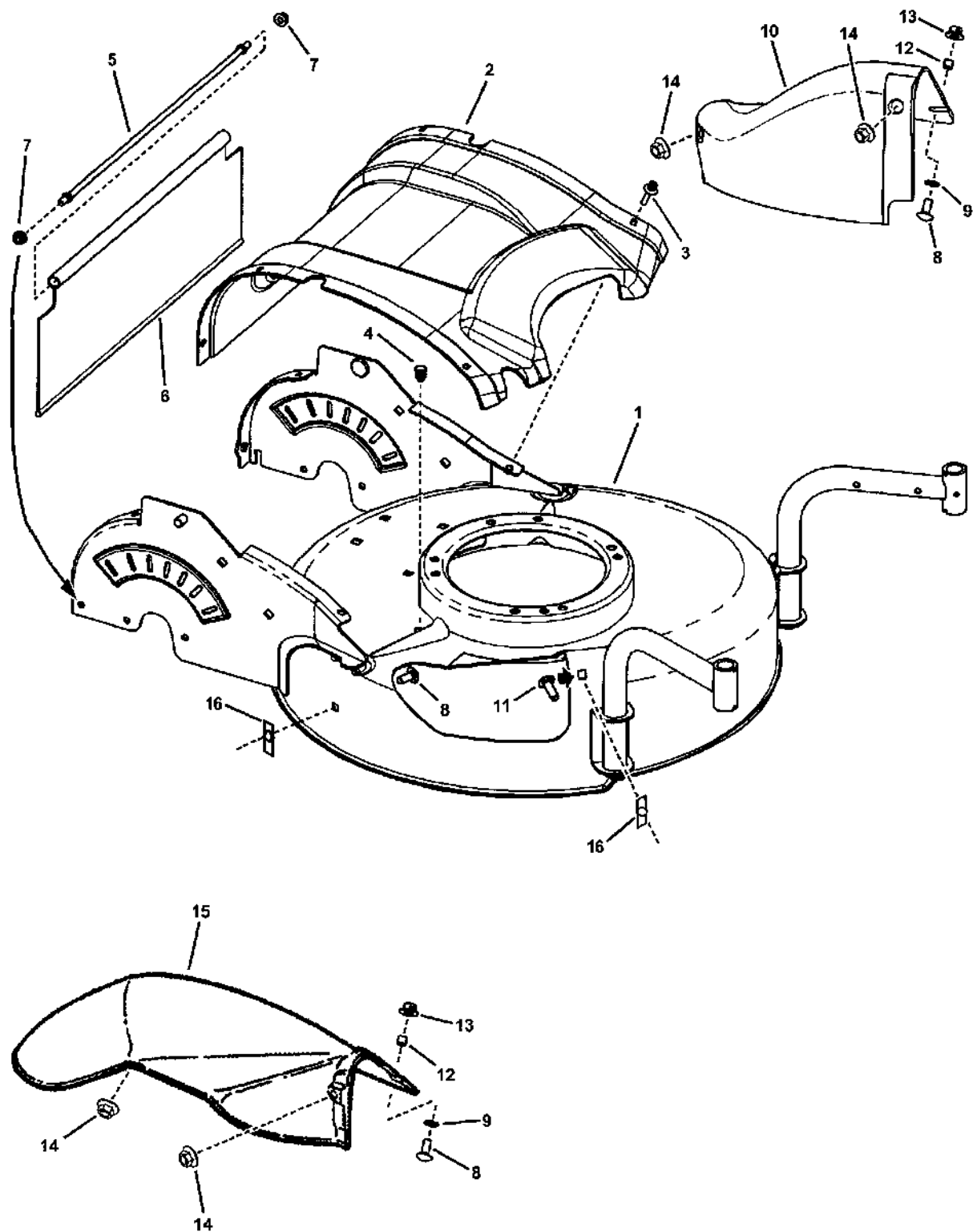


HANDLES & CONTROLS

| Item | Part No | Qty | Description | Note |
|------|---------|-----|--|------------------------------------|
| 1 | 7078247 | 1 | HANDLE, Upper | <i>finish: flat black textured</i> |
| 2 | 7300130 | 1 | PLATE, Control Panel | <i>finish: flat black textured</i> |
| 3 | 7100225 | 4 | SCREW, #8-16 Recessed Pan Head (Torxplus) | |
| 4 | 7028488 | 1 | GUIDE, Rope | <i>with 1/4-20 threads</i> |
| 5 | 7076978 | 1 | NUT, 1/4-20 Hex Nyloc | |
| 6 | 7090391 | 4 | WASHER, 5/16 Internal Tooth Lock | |
| 7 | 7035744 | 4 | KNOB, 5/16-18 Wing (Black) | |
| 8 | 7100069 | 1 | ASSY, Control Head Variable Speed (includes 8, 9, 10, 11, 12, 15 & 16) | |
| 9 | | | SPRING STEEL | |
| 10 | | | CLUTCH LEVER, Silver | |
| 11 | | | ASS'Y., Speed Lever/Friction Material | |
| 12 | | | TOP BOX, Variable Speed- Black | |
| 13 | 7078248 | 1 | BAIL, Brake | <i>finish: flat black textured</i> |
| 14 | 7100074 | 1 | CABLE, Zone Control | |
| 15 | 7100263 | 1 | CABLE, Clutch | |
| 16 | 7100264 | 1 | CABLE, Speed | |
| 17 | 7078246 | 1 | HANDLE, Lower | <i>finish: flat black textured</i> |
| 18 | 7024649 | 2 | WIRE TIE, 11 Inch Black Nylon | |
| 19 | 7091189 | 2 | BOLT, 5/16-18 x 2" Curved Head Square Neck GR 2 | |
| 20 | 7300103 | 2 | BRACKET, Lower Handle | <i>finish: flat black textured</i> |
| 21 | 7091612 | 2 | BOLT, 5/16-18 x 1-1/2" Round Head Square Neck | |
| 22 | 7090799 | 7 | BOLT, 5/16-18 x 5/8" Round Head Short Square Neck Carriage | |
| 23 | 7091601 | 4 | NUT, 5/16-18 Hex Flange Lock | |
| 24 | 7072023 | 1 | CONTROL, Swivel Wheel Latch 56.5 (LH Outside) | |
| 25 | 7090505 | 1 | SCREW, 1/4-20 x 2" Hex Head Cap, GR 5 | |
| 26 | 7090372 | 3 | NUT, 1/4-20 Hex Center Lock | |
| 27 | 7091135 | 2 | PUSHNUT, 3/8" | |

Footnotes:

GUARDS AND COVERS

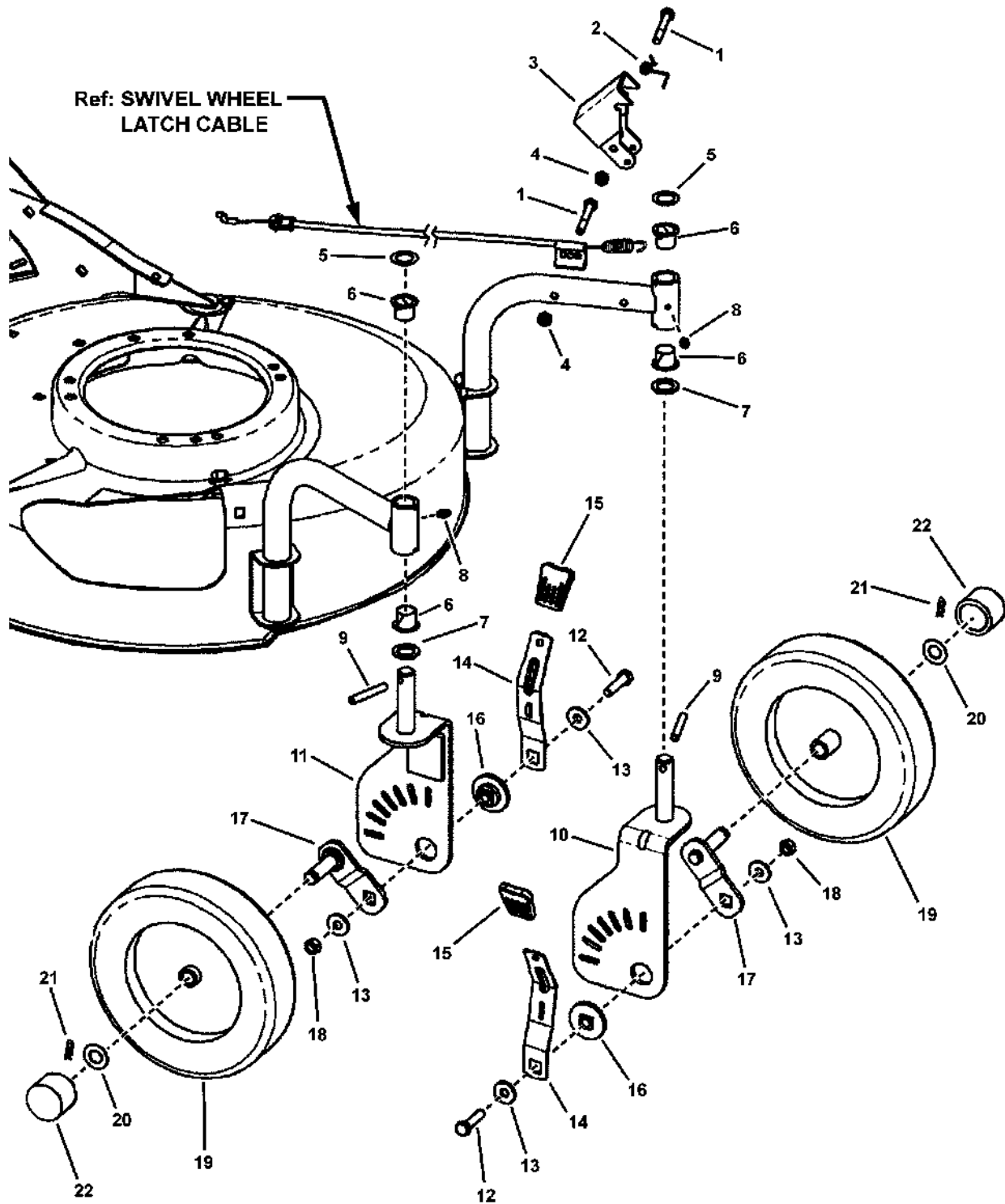


GUARDS AND COVERS

| Item | Part No | Qty | Description | Note |
|-------------|----------------|------------|---|------------------------------------|
| 1 | 7400014 | 1 | WELDMENT, 21" Deck Swivel Wheel | |
| 2 | 7100001 | 1 | REAR COVER, Belt/Transmission | |
| 3 | 7100059 | 6 | RIVET, Plastic, Fastener | |
| 4 | 7046780 | 2 | PLUG, Hole (Polyethylene) | |
| 5 | 7078225 | 1 | ROD, Trail Shield | <i>1/4-20 thread- both ends</i> |
| 6 | 7078272 | 1 | SHIELD, Trail | |
| 7 | 7091584 | 2 | NUT, 1/4-20 Hex Flange Lock | |
| 8 | 7090001 | 2 | BOLT, 5/16-18 x 3/4" Short Square Neck Carriage, GR 5 | |
| 9 | 7011791 | 1 | BOLT RETAINER, 5/16- Black | |
| 10 | 7029149 | 1 | COVER, 21 Deck Recycling | |
| 11 | 7091169 | 1 | BOLT, 5/16-18 x 1-1/8" Short Square Neck Carriage, GR 5 | |
| 12 | 7024340 | 1 | SPACER, .316 x .375 x .300/.310 | |
| 13 | 7090951 | 1 | NUT, 5/16-18 Large Flange Hex Center Lock | |
| 14 | 7091070 | 2 | NUT, 5/16-18 Hex Flange Lock | |
| 15 | 7042965 | 1 | CHUTE, 21 Side Discharge | |
| 16 | 7900028 | 1 | NUT, 5/16-18 Speed | <i>Shakeproof# FN-614020-1-50)</i> |

Footnotes:

FRONT WHEELS

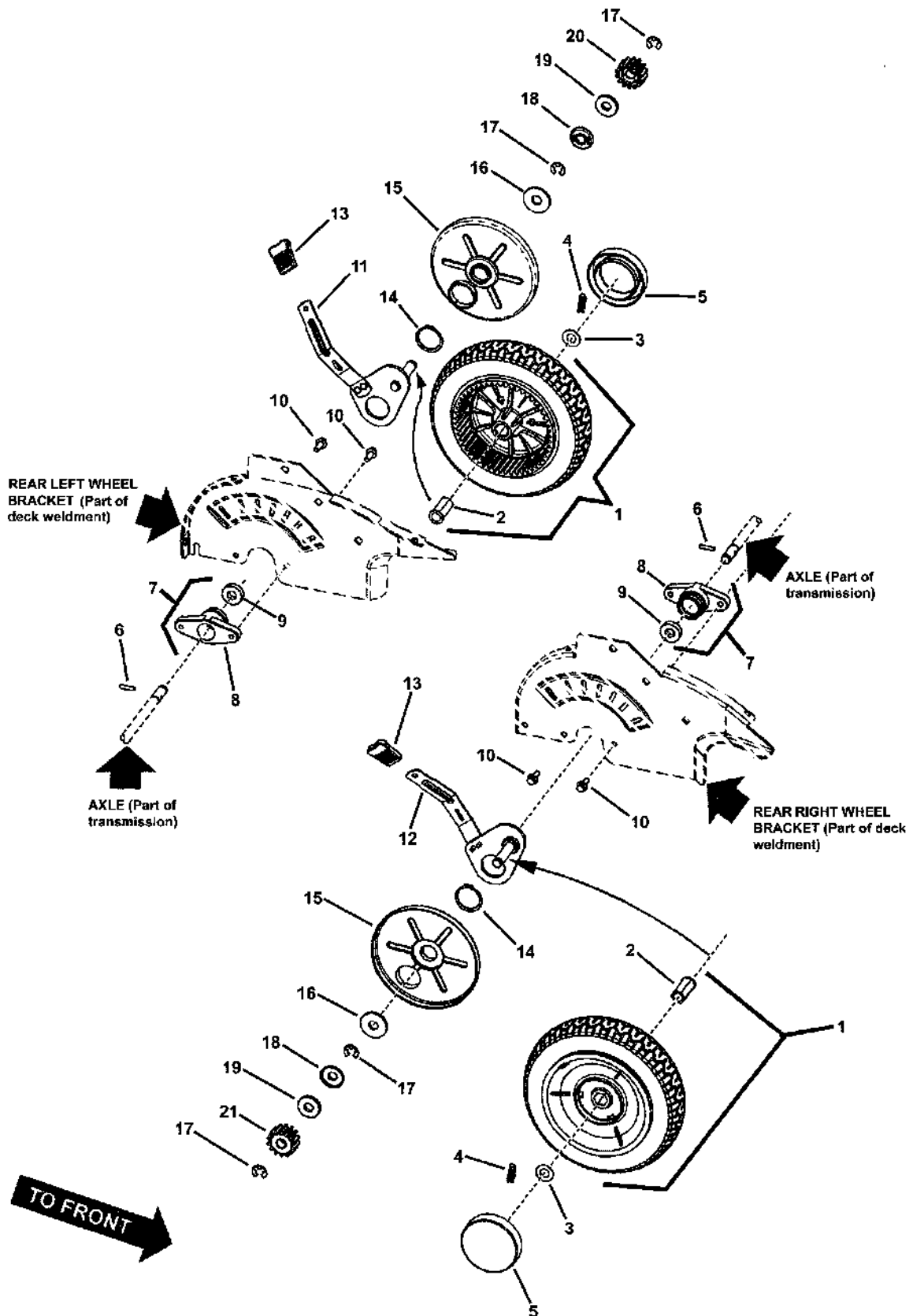


FRONT WHEELS

| Item | Part No | Qty | Description | Note |
|------|---------|-----|--|--------------|
| 1 | 7090505 | 2 | SCREW, 1/4-20 x 2" Hex Head Cap, GR 5 | |
| 2 | 7046668 | 1 | SPRING, Torsion | |
| 3 | 7300171 | 1 | BRACKET Swivel Wheel Lock, Red | |
| 4 | 7090372 | 2 | NUT, 1/4-20 Hex Center Lock | |
| 5 | 7092021 | 2 | WASHER, .64 x .99 x .025 Flat | |
| 6 | 7046628 | 4 | NYLINER, 5/8 | |
| 7 | 7092022 | 2 | WASHER, .64 x .99 x .075 Flat | |
| 8 | 7013864 | 2 | LUBE FITTING, 3/16" | |
| 9 | 7014106 | 2 | ROLL PIN, 1/4 x 1-3/4" | |
| 10 | 7400068 | 1 | WELDMENT, Swivel Wheel Brkt. LH (Red) | |
| 11 | 7400070 | 1 | WELDMENT, Swivel Wheel Brkt. RH (Red) | |
| 12 | 7091527 | 2 | SCREW, 5/16-18 X 1-1/4" Hex Head Cap, GR 5 | |
| 13 | 7900022 | 4 | WASHER, .875 x .327 x .090 Flat | |
| 14 | 7100251 | 2 | LEVER, Height Adjust, Swivel Wheel | |
| 15 | 7027702 | 2 | GRIP, Height Latch | |
| 16 | 7100249 | 2 | SPACER, Swivel Wheel Pivot | |
| 17 | 7500101 | 2 | ASSY, Axle Arm/Stud | |
| 18 | 7091575 | 2 | NUT, 5/16-18 Hex Center Lock | |
| 19 | 7100250 | 2 | 8" WHEEL, 1-3/8" Hub Length, (Swivel) | |
| 20 | 7100585 | 2 | WASHER, Shim, .875 x .531 x .060 | |
| 21 | 7091193 | 2 | COTTER, Hairpin | |
| 22 | 7100088 | 2 | HUB CAP, 1-3/8" Diameter | <i>black</i> |

Footnotes:

REAR WHEELS

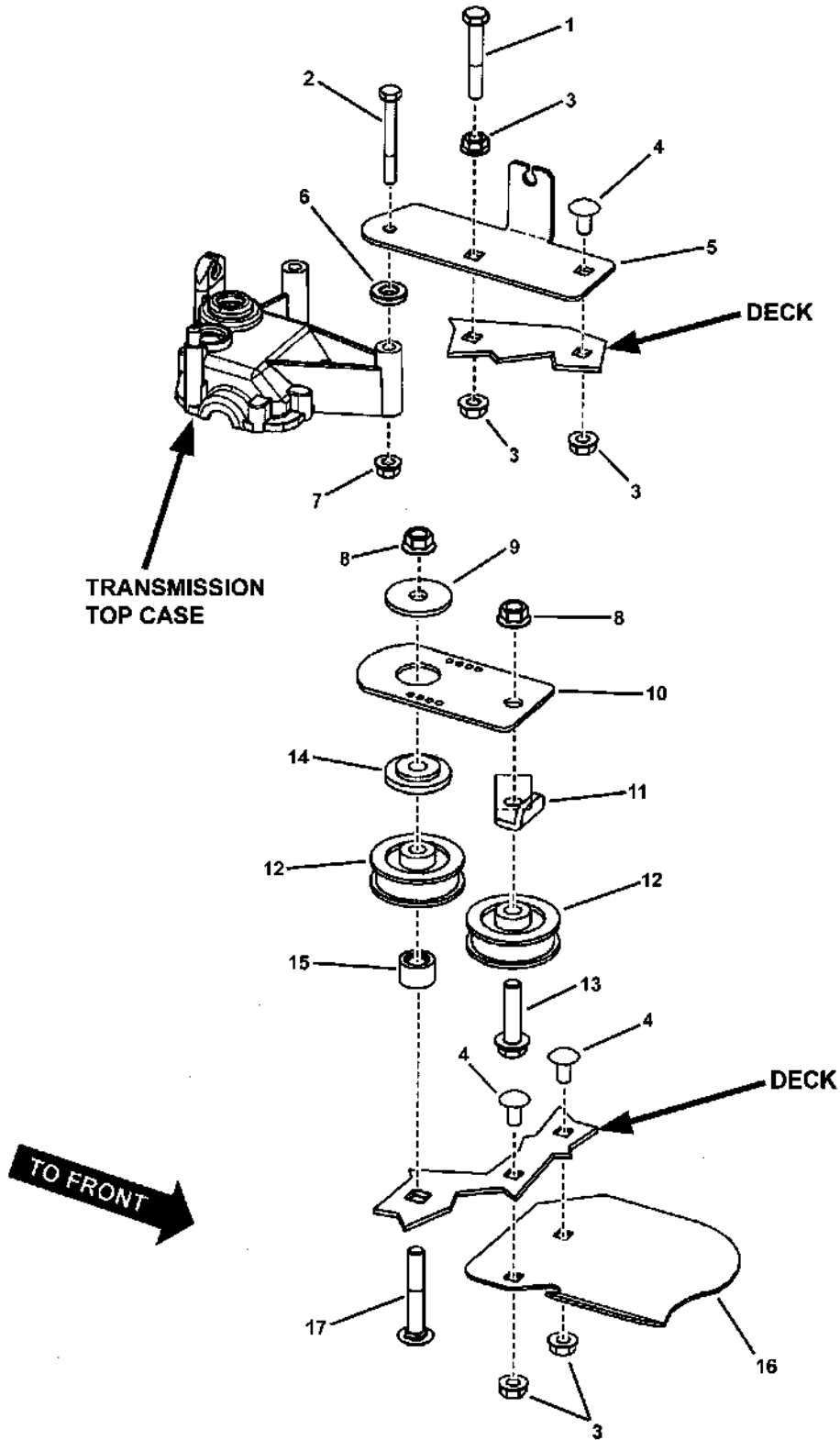


REAR WHEELS

| Item | Part No | Qty | Description | Note |
|------|---------|-----|---|--|
| 1 | 7100184 | 2 | ASSY., 9" x 2" Gear Wheel, LS Tread & P. M. Bushing | <i>gray rim</i> |
| 2 | 7073618 | 1 | BUSHING, Wheel (powdered metal) | <i>part of item 1</i> |
| 3 | 7091192 | 2 | WASHER, 1/2" Flat | |
| 4 | 7091193 | 2 | COTTER, Hairpin | |
| 5 | 7100114 | 2 | HUB CAP, 3-1/4" Diameter, Black | |
| 6 | 7024749 | 2 | PAWL, 3/16" O.D. | |
| 7 | 7500041 | 2 | ASSY., Axle Bearing | <i>incl. items 8 & 9</i> |
| 8 | 7078214 | 1 | HOUSING, Axle Bearing | |
| 9 | 7078243 | 1 | BALL BEARING, Axle | <i>.50 I.D. x 1.125 O.D. x .3125 thick</i> |
| 10 | 7090699 | 4 | BOLT, 1/4-20 x 3/4" Hex Flange Lock | |
| 11 | 7078235 | 1 | ASSEMBLY, Axle Arm, Left Rear | |
| 12 | 7078236 | 1 | ASSEMBLY, Axle Arm, Right Rear | |
| 13 | 7027702 | 2 | GRIP, Height Latch | |
| 14 | 7900010 | 2 | SNAP RING, 1-3/8" | <i>Truarc 5100-137</i> |
| 15 | 7078269 | 2 | SHIELD, Dust | |
| 16 | 7091194 | 2 | WASHER, .531 x 1.50 x .134 | |
| 17 | 7014341 | 4 | RETAINING RING | <i>Waldes 5133-50</i> |
| 18 | 7026478 | 2 | RETAINER, Pinion Seal | |
| 19 | 7026479 | 2 | SEAL, Pinion (Felt) | |
| 20 | 7024550 | 1 | PINION, LH Drive | |
| 21 | 7024549 | 1 | PINION, RH Drive | |

Footnotes:

REAR DECK BRACKETS & IDLER ARM

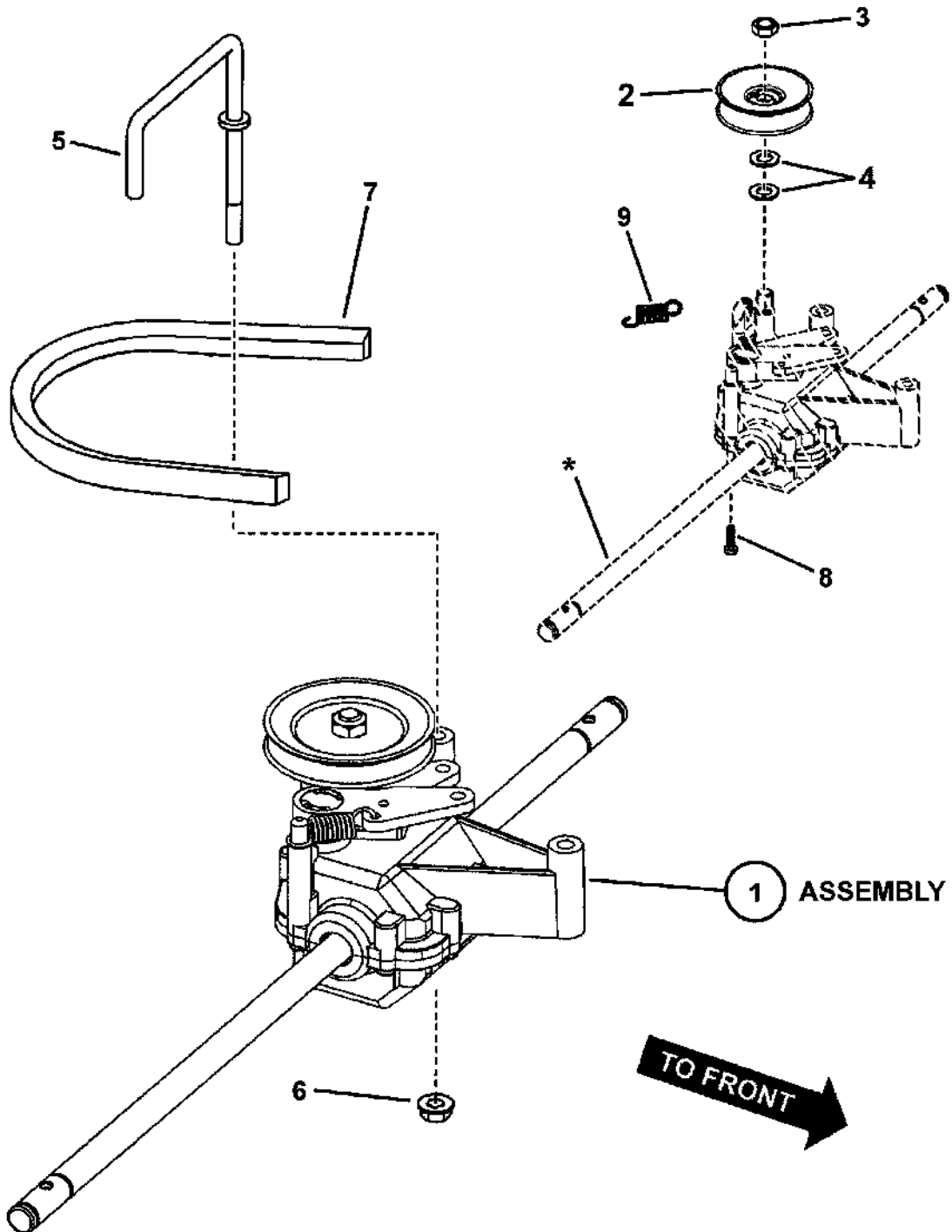


REAR DECK BRACKETS & IDLER ARM

| Item | Part No | Qty | Description | Note |
|-------------|----------------|------------|--|-------------|
| 1 | 7027174 | 1 | SCREW, 5/16-18 x 2" Hex Head Cap, GR 5 | |
| 2 | 7091256 | 1 | SCREW, 1/4-20 x 2-1/4" Hex Head Cap, GR 5 | |
| 3 | 7091601 | 3 | NUT, 5/16-18 Hex Flange Lock | |
| 4 | 7090799 | 3 | BOLT, 5/16-18 x 5/8" Round Head Short Square Neck Carriage | |
| 5 | 7300047 | 1 | BRACKET, Transmission Mounting | |
| 6 | 7100122 | 1 | SPACER, 3/8 x 13/16 x 5/32 | |
| 7 | 7091545 | 1 | NUT, 1/4-20 Hex Top Lock Flange | |
| 8 | 7091619 | 2 | NUT, 3/8-16 Hex Flange Lock | |
| 9 | 7091331 | 1 | WASHER, 13/32 x 1-1/2 x 1/8" Flat | |
| 10 | 7300020 | 1 | IDLER ARM, Belt Drive | |
| 11 | 7300196 | 1 | BELT GUIDE, Idler | |
| 12 | 7078245 | 2 | PULLEY, F-Idler | |
| 13 | 7090614 | 1 | BOLT, 3/8-16 x 1-1/2" Hex Flange Lock, GR 5 | |
| 14 | 7100062 | 1 | SPACER, Pivot, Belt Idler | |
| 15 | 7100063 | 1 | SPACER, Idler | |
| 16 | 7300013 | 1 | SHIELD, Debris | |
| 17 | 7900009 | 1 | BOLT, 3/8-16 x 2-1/4" Short Square Neck Carriage, GR 5 | |

Footnotes:

TRANSMISSION



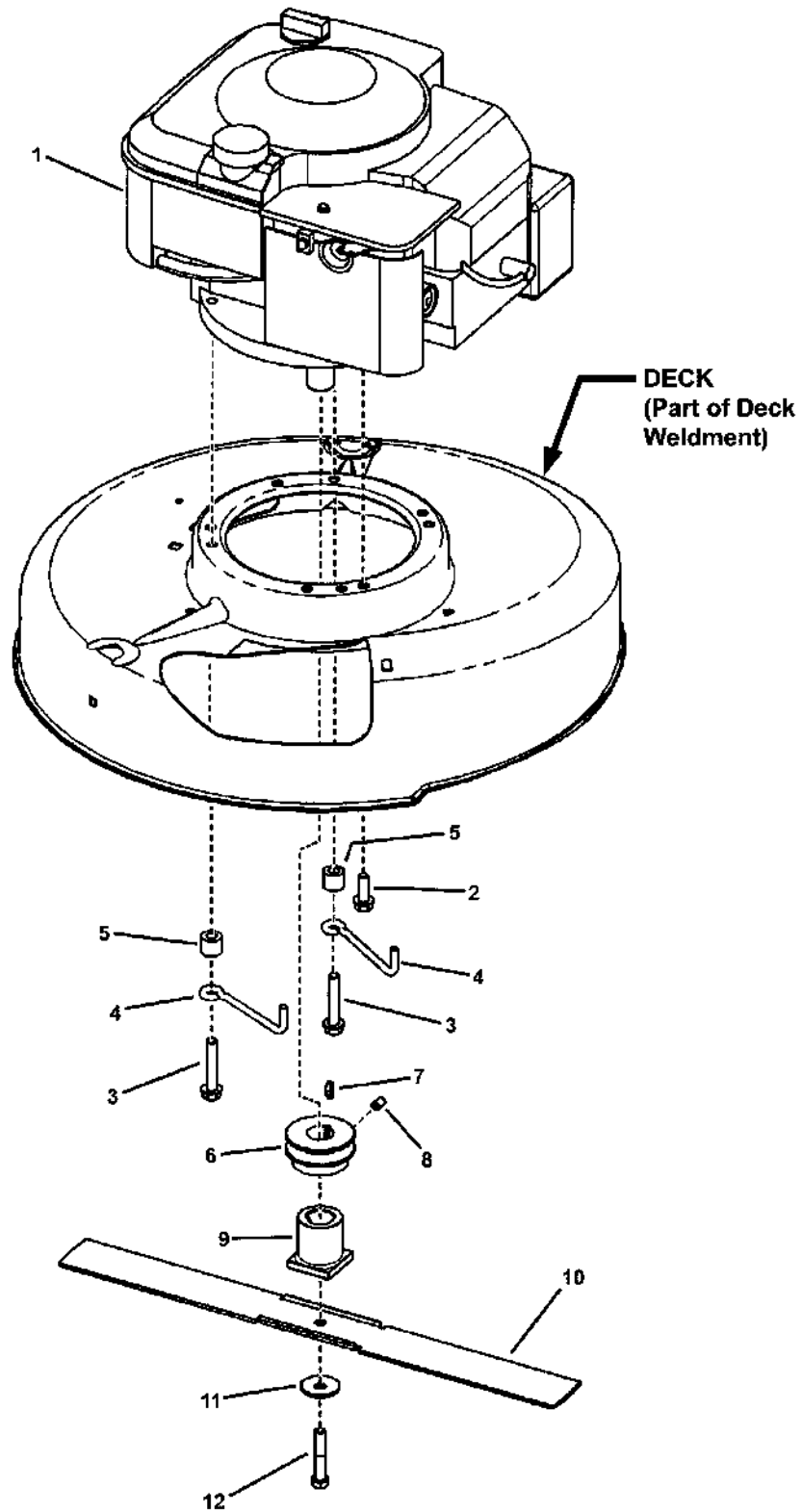
*** Ref: TRANSMISSION, Dog Clutch
(not a parts sales item)**

| Item | Part No | Qty | Description |
|-------------|----------------|------------|---|
| 1 | 7500103 | 1 | TRANSMISSION, LC Walk, Variable Speed (includes pulley) |
| -- | -- | 1 | TRANSMISSION, Dog Clutch (not a part sales item) |
| 2 | 7100240 | 1 | PULLEY, Transmission |
| 3 | 1960251 | 1 | NUT, 3/8-16 Hex Center Lock Jam |
| 4 | 7012316 | 2 | WASHER, .390 I.D. |
| 5 | 7100395 | 1 | BELT GUIDE, Variable Speed (1/4-20 threads) |
| 6 | 7091545 | 1 | NUT, 1/4-20 Hex Top Lock Flange |
| 7 | 7100058 | 1 | BELT, 3L, Traction Drive (38.125 Nominal O.D.) |
| 8 | 7900032 | 8 | SCREW, 7mm x 1 x .550 AB Point |
| 9 | 7100966 | 1 | SPRING, Return, Clutch |

Not for
Reproduction

Footnotes:

NOTE: * Part number is printed on back edge of belt.



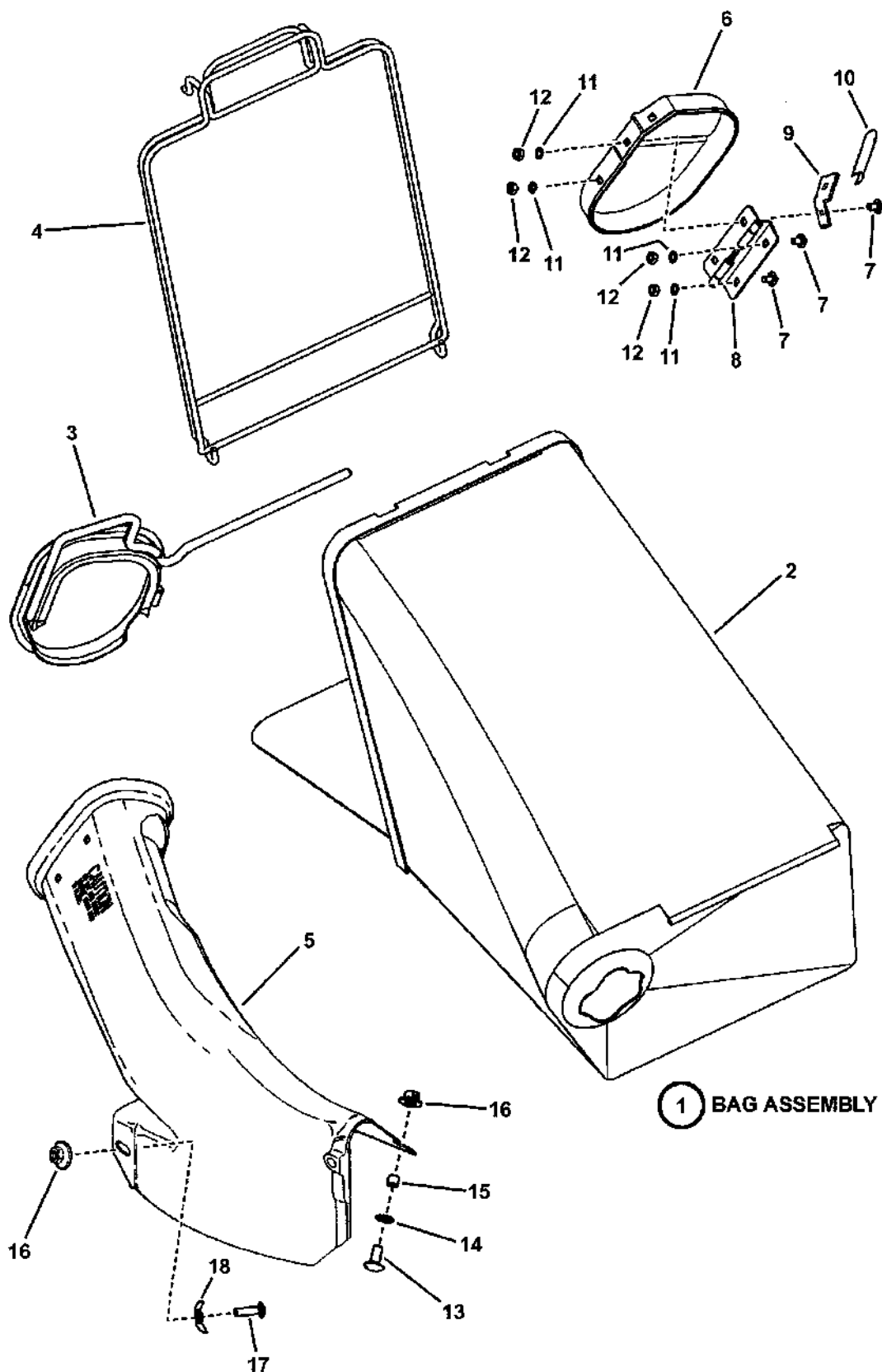
ENGINE AND BLADE

| Item | Part No | Qty | Description | Note |
|-------------|----------------|------------|--|---------------------------------|
| 1 | -- | 1 | *ENGINE, 6.5 HP Quantum Euro | <i>Model 123K02-0142-E1</i> |
| 2 | 7090324 | 1 | SCREW, 3/8-16 x 1" Hex Washer Self-Tap | |
| 3 | 7091088 | 2 | SCREW, 3/8-16 x 2" Hex Washer Self-Tap | |
| 4 | 7100022 | 2 | GUIDE, Belt | |
| 5 | 7200010 | 2 | SPACER, Belt Guide | |
| 6 | 7100437 | 1 | PULLEY, Engine | |
| 7 | 7091214 | 1 | KEY, Hi-Pro (#HP-506) | |
| 8 | 7092086 | 1 | SET SCREW, 5/16-18 x 1/2" Hex Recess | <i>Type A Point (Cup Point)</i> |
| 9 | 7015626 | 1 | HUB, Blade Drive, 25M I.D. | |
| 10 | 7100242 | 1 | BLADE, Wave, 21" Steel Deck | |
| 11 | 7012063 | 1 | WASHER, Cone | |
| 12 | 7090167 | 1 | SCREW, 3/8-24 x 2" Hex Head Cap, GR 5 | |

Footnotes:

Note* Purchase engine parts from engine manufacturer dealer.

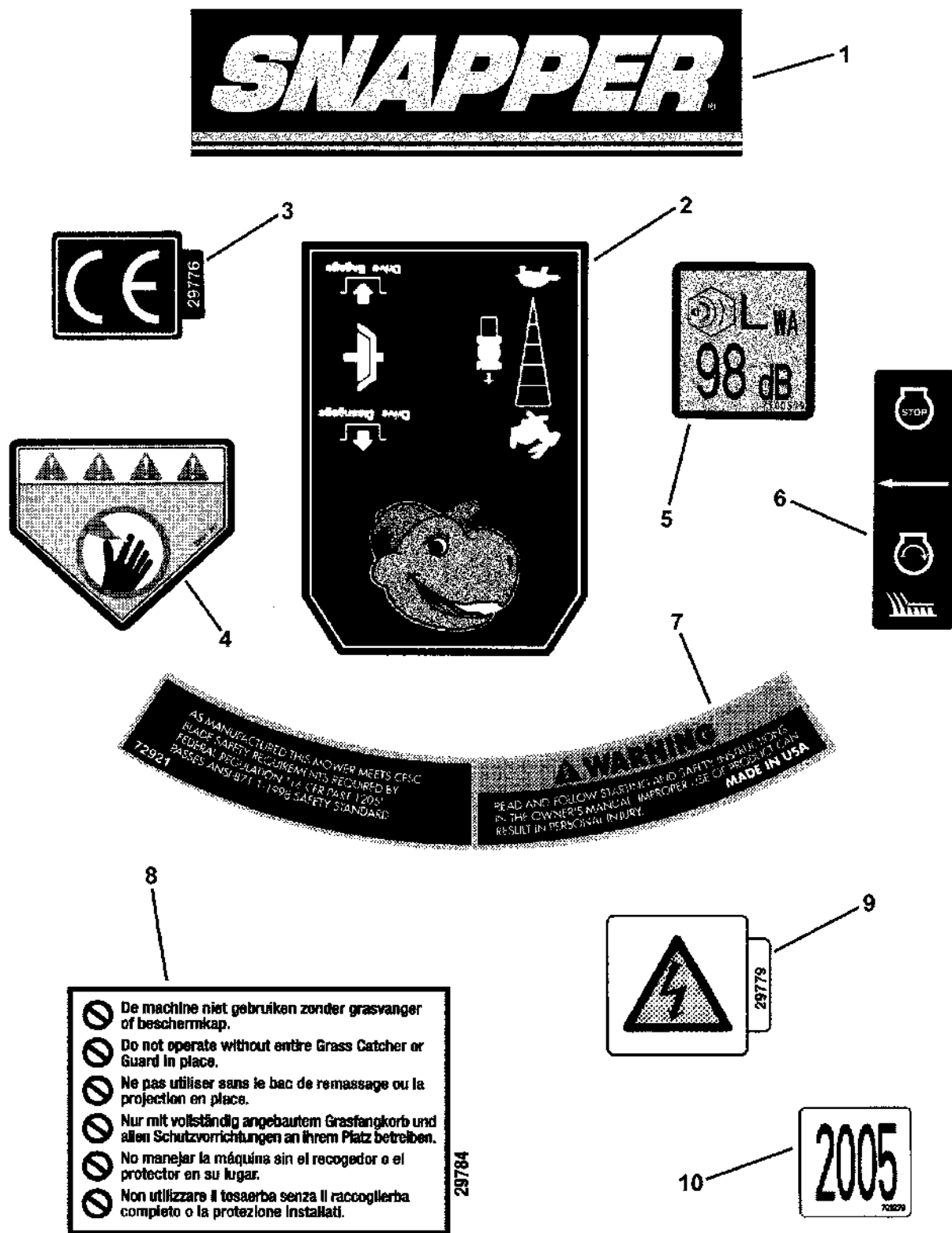
BAGGING COMPONENTS



BAGGING COMPONENTS

| Item | Part No | Qty | Description | Note |
|-------------|----------------|------------|---|------------------------------------|
| 1 | 7058571 | 1 | BAG ASSEMBLY (Door) | <i>includes items 2 thru 4</i> |
| 2 | 7075765 | 1 | GRASS BAG (Door w/silver letters) | |
| 3 | 7042489 | 1 | CONNECTOR, Bag | <i>(weldment)</i> |
| 4 | 7051906 | 1 | ASSEMBLY, Bag Wire (12") 21S | |
| 5 | 7016107 | 1 | ADAPTER, Bag 21 | |
| 6 | 7019287 | 1 | COVER, Bag Adapter | |
| 7 | 7091064 | 5 | SCREW, 1/4-20 x 1/2" Short Square Neck Carriage, GR 5 | |
| 8 | 7023000 | 1 | HINGE, Chute Cover | |
| 9 | 7032661 | 1 | STOP, Cover | |
| 10 | 7023042 | 1 | TRIM, Moulding | |
| 11 | 7091023 | 5 | WASHER, 1/4" Internal Tooth Lock | |
| 12 | 7091100 | 5 | NUT, 1/4-20 Hex | |
| 13 | 7090001 | 2 | BOLT, 5/16-18 x 3/4" Short Square Neck Carriage, GR 5 | |
| 14 | 7011791 | 3 | BOLT RETAINER, 5/16- Black | |
| 15 | 7024340 | 1 | SPACER, .316 x .375 x .300/.310 | |
| 16 | 7090951 | 2 | NUT, 5/16-18 Large Flange Hex Center Lock | |
| 17 | 7091833 | 1 | SCREW, 5/16-18 x 5/8" Cross Recess Pan Head | |
| 18 | 7900028 | 1 | NUT, 5/16-18 Speed | <i>Shakeproof# FN-614020-1-50)</i> |

Footnotes:



DECALS

| Item | Part No | Qty | Description | Note |
|------|---------|-----|---|--------------------------------------|
| 1 | 1731955 | 1 | DECAL, SNAPPER Logo | |
| 2 | 7100342 | 1 | DECAL, Control Head, Variable Speed | |
| 3 | 7029776 | 1 | DECAL,Euro Community (CE) | |
| 4 | 7022841 | 1 | DECAL, Warning (Euro) | |
| 5 | 7100579 | 1 | DECAL, Noise, 98 DB | |
| 6 | 7029782 | 1 | DECAL, OPC Bail International Symbol | |
| 7 | 7072921 | 1 | DECAL, Warning (Deck) | |
| 8 | 7029784 | 1 | DECAL, Deck/Chute International Warning | |
| 9 | 7029779 | 1 | DECAL, Spart Plug International Symbol | |
| 10 | 7011279 | 1 | DECAL, 2005 Year of Mfg. | |
| 11 | 7029470 | 1 | DECAL, Patent Numbers | <i>not shown; not a service part</i> |

Footnotes:

Parts Manual for

SNAPPER®

21" STEEL DECK EASY LINE EUROPEAN SWIVEL WHEEL WALK MOWER

IT IS THE POLICY OF SNAPPER TO IMPROVE ITS PRODUCTS
WHENEVER IT IS POSSIBLE AND PRACTICAL TO DO SO. WE
RESERVE THE RIGHT TO MAKE CHANGES OR ADD IMPROVEMENTS
AT ANY TIME WITHOUT INCURRING ANY OBLIGATION TO MAKE
SUCH CHANGES ON PRODUCTS MANUFACTURED PREVIOUSLY.

SNAPPER® McDonough, GA, 30253 U.S.A.