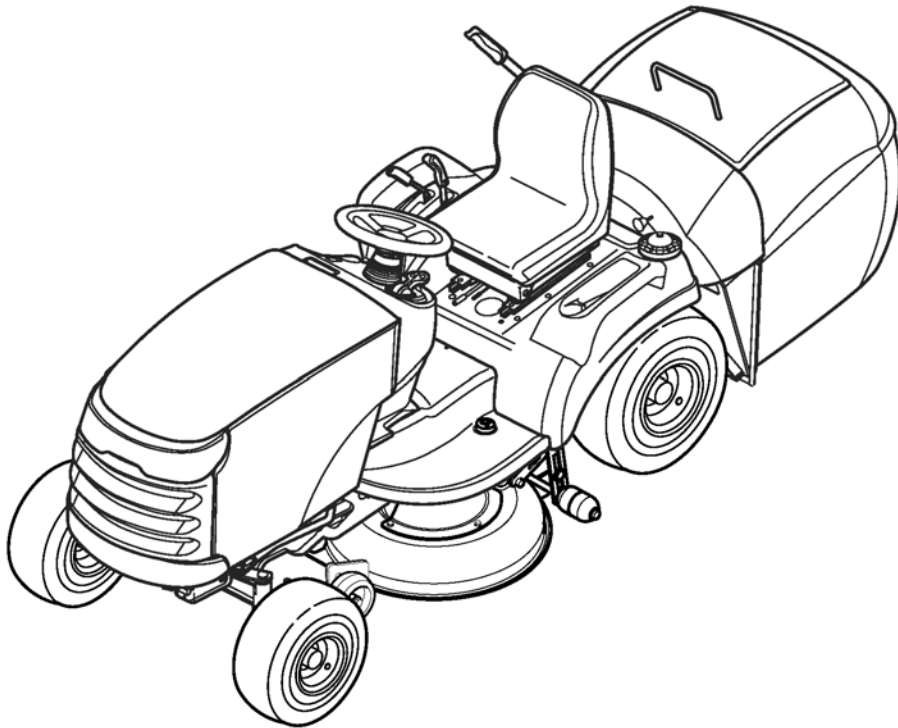


Parts Manual for

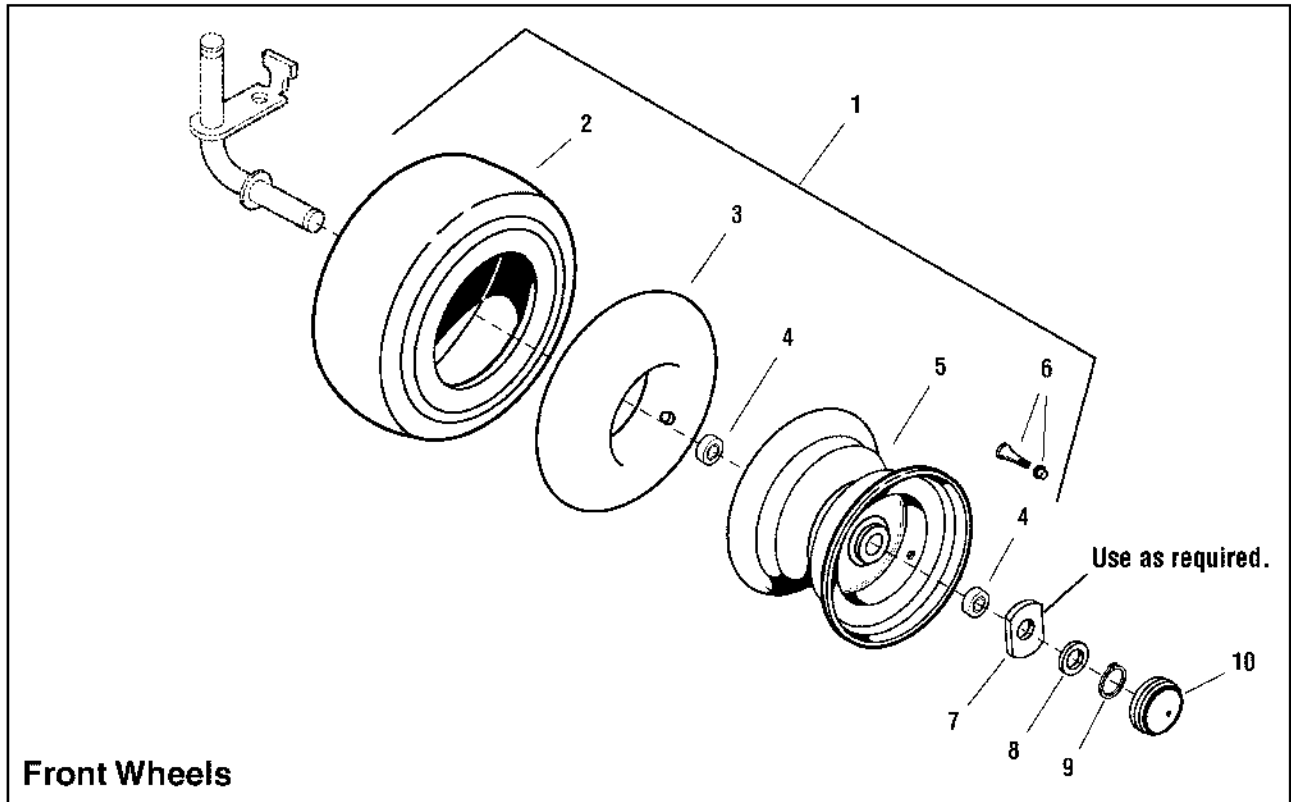
SNAPPER®

YARD TRACTOR ELECTRIC CLUTCH HYDRO DRIVE RMO "RD" SERIES 0

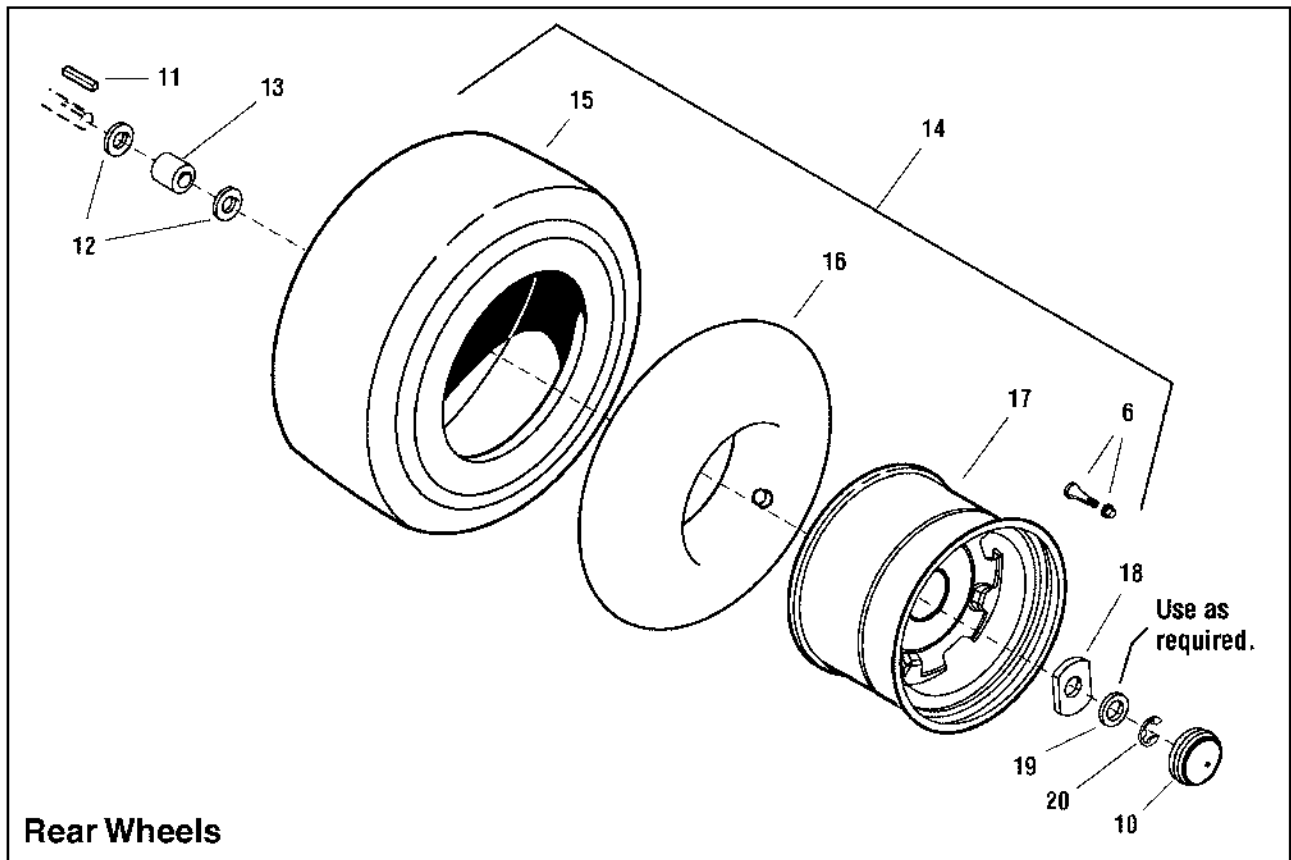


<i>Model No.</i>	<i>Description</i>
1694674	RD18S40
2690341	RD18S40
2690508	RD18S40
1694675	RD18VG40
2690342	RD18VG40
2690509	RD18VG40

PAGE	GROUP
4	Wheels & Tires Group
6	Hood, Grille & Dash Group
8	Steering Group
10	Frame & Front Axle Group
14	Controls Group
18	Cruise Control Group
20	Transmission Group - Tuff Torq K-46BF
24	Seat Deck & Fuel Tank Group
26	Engine Group - 18 HP INTEK Single Cyl.
28	Engine Group - 18 HP & 20 HP VANGUARD Twin Cyl.
30	Lift Group
32	40" Mower Deck - Belt, Idle Arm & Hitch
34	40" Mower Deck - Housing, Arbors & Blade
36	40" Mower Deck - Height Adjustment & Roller Bar
40	Deflector Group
42	Hopper Group
46	Decals Group
48	Electrical Group



Front Wheels



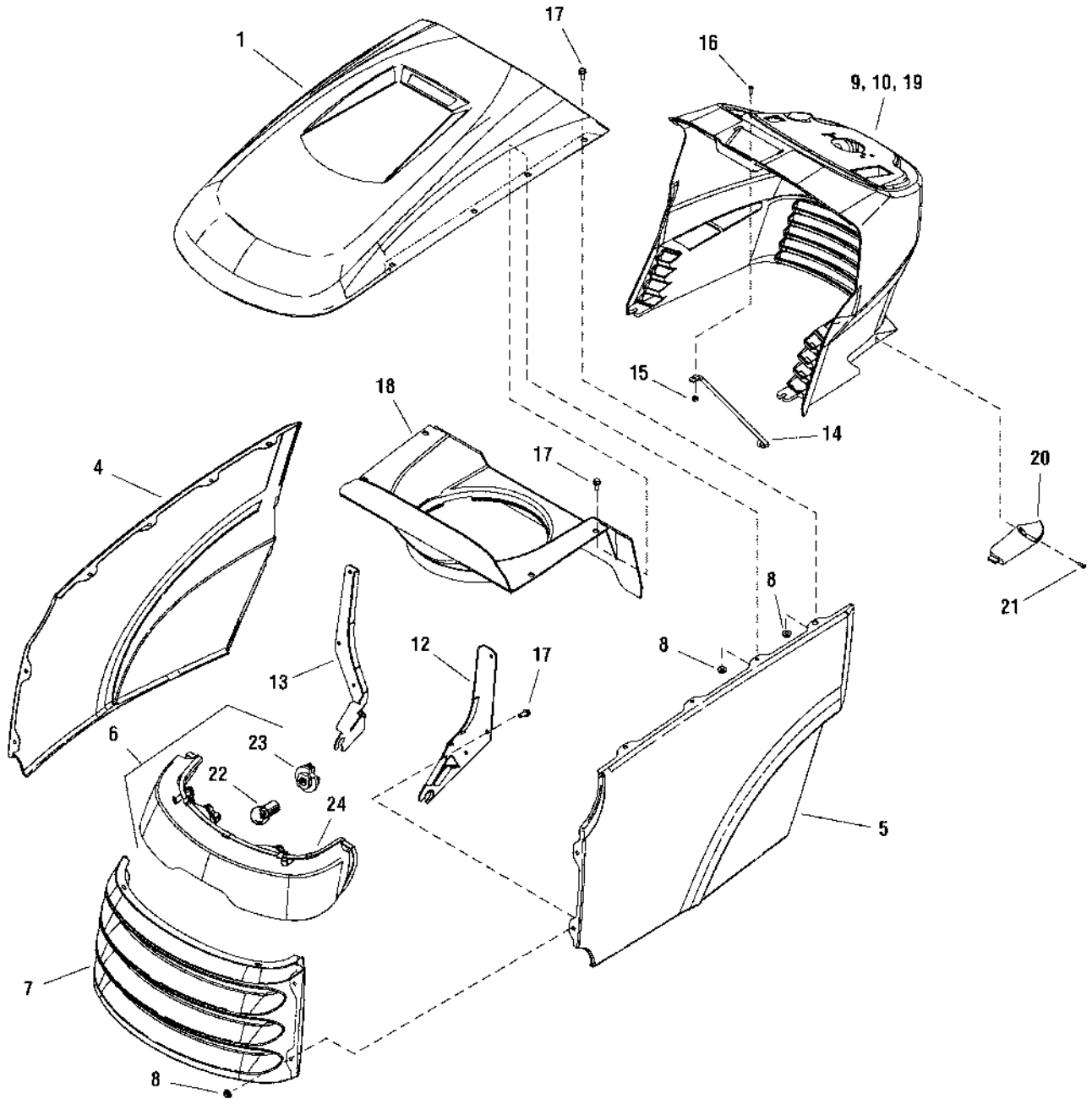
Rear Wheels

Wheels & Tires Group

Item	Part No	Qty	Description
1	1732202	2	WHEEL & TIRE ASSEMBLY, Front (Includes Ref. Nos. 2, 3, 4, 5)
2	1733882	1	TIRE, 15 x 6, Super Turf
3	1664090	1	TUBE, Tire, Front, 4.10/3.50
4	1717056	2	BEARING, Ball
5	1722837	1	WHEEL, 4-1/2" x 6"
6	2172353	4	VALVE STEM & CAP ASSEMBLY
7	1722726A	4	WASHER, Special, (As Required)
8	1919394	4	WASHER, 1, (As Required)
9	2832577	2	RING, Retaining, External #98
10	1722676	4	CAP, Hub, Gray
11	1729279	2	KEY, Parellel, 3/16 x 3/16 x 1-1/2
12	2960202	4	WASHER, 3/4
13	1709527	2	SPACER
14	1732203	2	WHEEL & TIRE ASSEMBLY (Includes Ref. Nos. 6, 15, 16 & 17)
15	1733881	1	TIRE, 20 x 10, 8 Super Turf
16	2173477	1	TUBE, Tire, 20 x 8, Rear
17	1722835	1	WHEEL, 7 x 7.96, W/ 3/4 OD Shaft
18	1722717A	2	WASHER, Special
19	1960114	2	WASHER, 3/4
20	2827794	2	RING, "E" External

Footnotes:

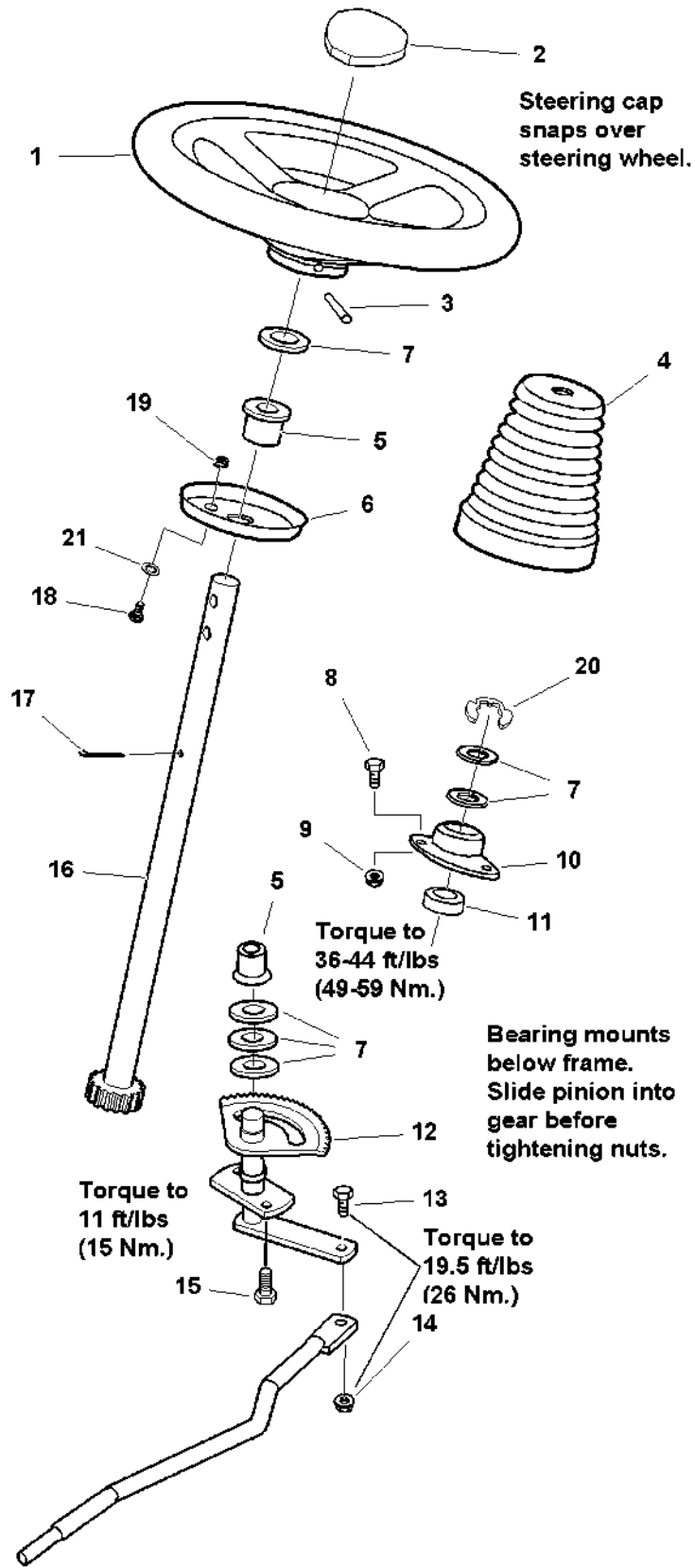
Hood, Grille & Dash Group



Hood, Grille & Dash Group

Item	Part No	Qty	Description
1	1728031D	1	HOOD, W/Scoop
4	1721804D	1	PANEL, R.H. Side
5	1721803D	1	PANEL, L.H. Side
6	1721810	1	HEADLIGHT ASSEMBLY (Includes Ref. Nos. 22, 23 & 24)
7	1721802D	1	GRILLE
8	1930641	12	NUT, Hex Flange 1/4-20 Whiz Lock
9	1726827	1	DASHBOARD (Used only on YT & LT models)
10	1726894	1	DASHBOARD, W/Hydraulic Lift Slot (Used only on GT models)
12	1721808A	1	HINGE, Hood L.H.
13	1721809A	1	HINGE, Hood R.H.
14	1723123	1	ROD, Dash Support
15	1933896	1	NUT, Hex Lock 10-24 w/Nylon Insert
16	1960392	1	SCREW, Pan Head Phillips #10-24 x 1
17	1960295	12	SCREW, Hex Whiz Lock Flange 1/4-20 x 5/8
18	1733457A	1	DUCT, Air Inlet
19	1726895	1	DASHBOARD, w/Buzzer Hole (Used only on Barons models)
20	1722285	1	COVER, Dash (Used only on Barons models)
21	1722607	1	SCREW, Pan Head Torx #8-16 x 1/2 Plastite (Used only on Barons models)
22	1677371	4	BULB, Headlight
23	1723451	4	SOCKET ASSEMBLY, Seal
24	1722902	1	REFLECTOR, Headlight

Footnotes:

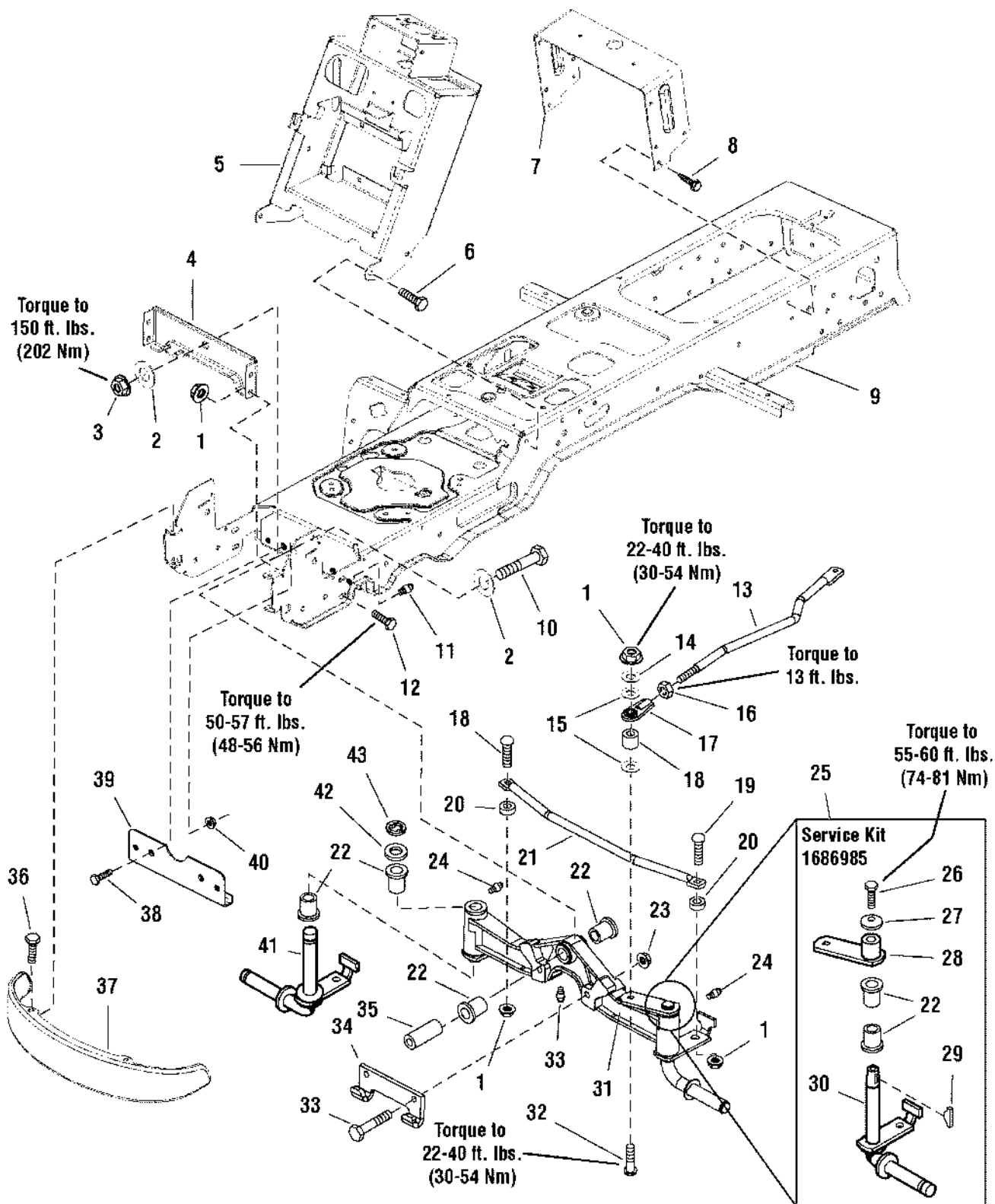


Steering Group

Item	Part No	Qty	Description
1	1722318	1	STEERING WHEEL, Straight Shaft
2	1725024	1	CAP, Steering Wheel, Plain
3	1960540	1	PIN, Spring
4	1722749	1	COVER, Black Rubber
5	2176440	2	BUSHING
6	1721736A	1	PLATE, Mounting Steering
7	1960114	6	WASHER
8	1933260	2	CAPSCREW, Hex Head Flange Lock, 3/8-16 x 3/4
9	1931211	2	NUT, Hex Whiz Lock, 3/8-16
10	1722459	1	BEARING, Flange
11	1722461	1	SPACER
12	1724470A	1	GEAR & SHAFT ASSEMBLY
13	1960032	1	CAPSCREW, Hex Head, 3/8-16 x 1-1/4
14	1930645	1	NUT, Hex Flange Lock, 3/8-16
15	1664847	2	CAPSCREW, Hex Head Taptite, 5/16-18 x 3/4
16	1723604	1	SHAFT ASSEMBLY
17	1960033	1	PIN, Cotter
18	1960655	2	CARRIAGE BOLT, 5/16-18 x 1 1/4
19	1960636	2	NUT, Hex, 5/16-18
20	1611710	1	RING, Clipping Extension
21	1933988	2	PUSHNUT, 5/16

Footnotes:

Frame & Front Axle Group

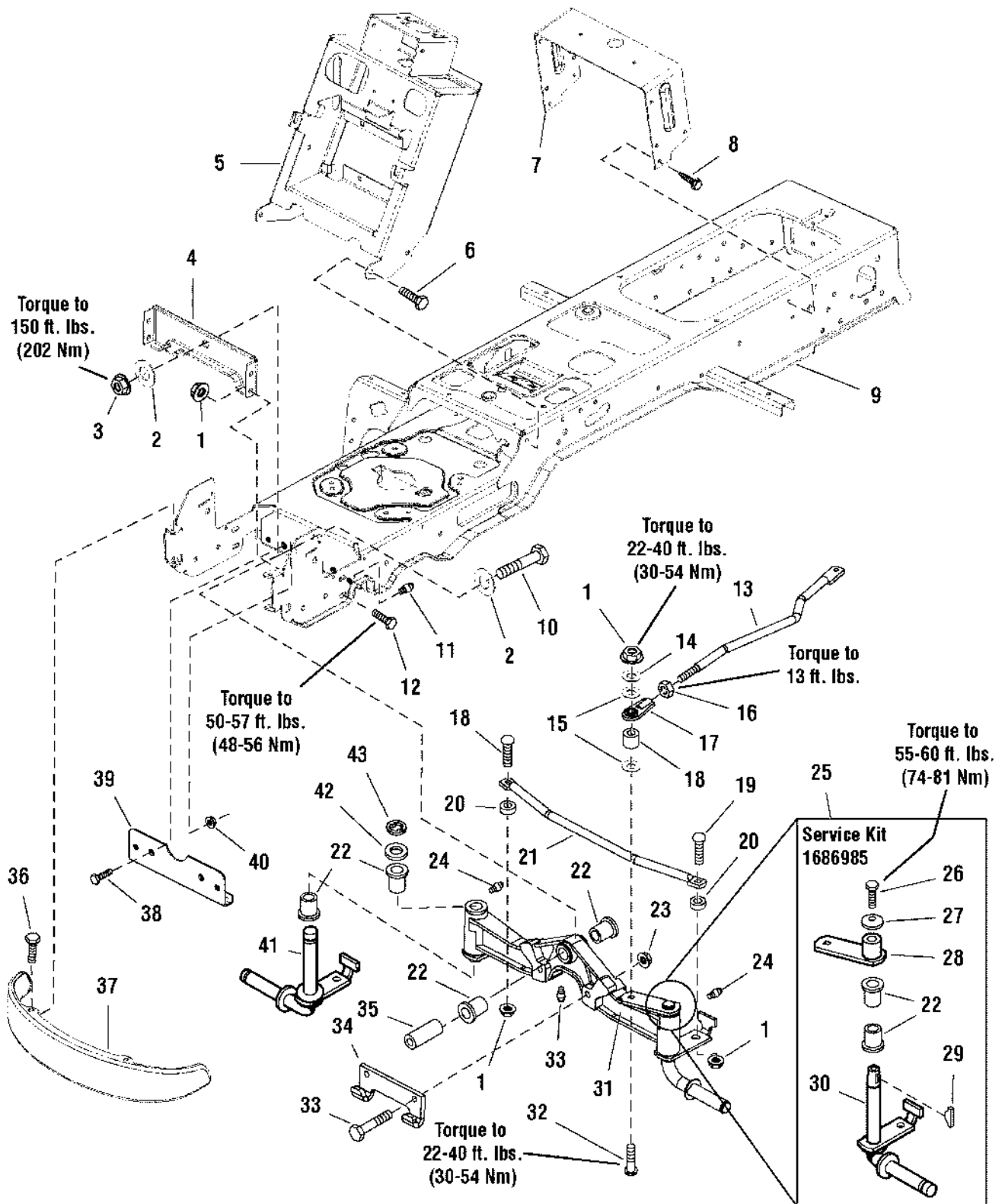


Frame & Front Axle Group

Item	Part No	Qty	Description
1	1930645	7	NUT, Hex Flange Lock, 3/8-16
2	1960035	2	WASHER
3	2960646	1	NUT, Hex Flange, 5/8-11
4	1722212A	1	PLATE, Axle
5	1724081A	1	TOWER & SUPPORT ASSEMBLY
6	1923683	4	CAPSCREW, Hex Head Taptite, 3/8-16 x 3/4
7	1723528A	1	SUPPORT
8	1664847	4	CAPSCREW, Hex Head Taptite, 5/16-18 x 3/4
9	1727396A	1	FRAME ASSEMBLY
10	2960645	1	CAPSCREW, 5/8-11 x 3-1/2
11	1704314	2	FITTING, Grease for Wear Plate, 1/4-20, with Ball
12	1933260	4	CAPSCREW, Hex Head, Flange Lock, 3/8-16 x 3/4
13	1722541	1	LINK, Drag
14	1922755	1	WASHER
15	1960103	2	WASHER
16	1919262	1	NUT, Hex Jam, 1/2-20
17	1702779A	1	JOINT, Ball
18	1708236	1	SPACER
19	1931350	2	CARRIAGE BOLT, 3/8-16 x 1
20	1611705	2	SPACER
21	1722626A	1	ROD, Tie
22	1721682	6	BUSHING
23	1930650	2	NUT, Hex Flange Lock, 7/16-14
24	1704314	3	FITTING, Lube
25	1686985	1	SPINDLE REPLACEMENT KIT, LH (Includes Ref. Nos. 22, 26, 27)
26	2823485	1	CAPSCREW, 3/8-16 x 7/8, GR8
27	1663151	1	WASHER, Spring, 3/8
28	1725112	1	HUB & ARM ASSEMBLY
29	2830671	1	KEY, Woodruff
30	1724264	1	SPINDLE, LH
31	1722200A	1	AXLE ASSEMBLY, w/ LH Spindle, Complete (Includes Ref. Nos. 2)
32	1931352	1	CARRIAGE BOLT, 3/8-16 x 1-1/2
33	1927531	2	CAPSCREW, Hex Head, 7/16-14 x 2, GR8
34	1721918A	1	HOOK, "J"
35	1721752	1	SPACER
36	1960086	4	SCREW, Torx Head, 5/16-18 x 7/8
37	1721805A	1	BUMPER, Black, Steel, Standard

Footnotes:

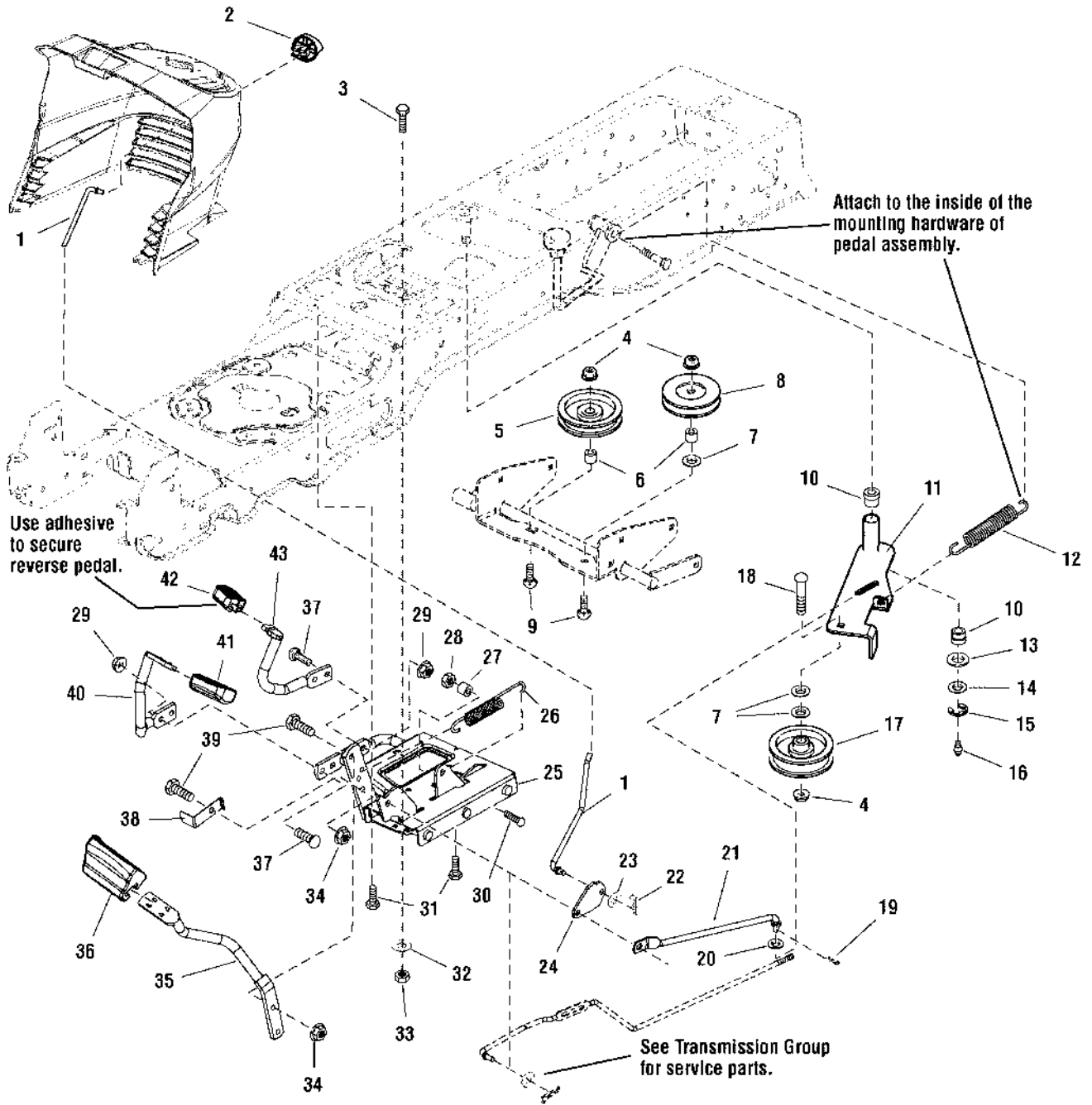
Frame & Front Axle Group



Frame & Front Axle Group

Item	Part No	Qty	Description
37	1723502	1	BUMPER, Chrome, Optional
38	1930591	2	CAPSCREW, Hex Whiz Lock, 5/16-18 x 3/4
39	1724801A	1	PLATE, Axle Wear
40	1931277	2	NUT, Hex Flange Whiz Lock, 5/16-18
41	1722199	1	SPINDLE, RH
42	1919394	1	WASHER
43	2932577	1	RETAINING RING

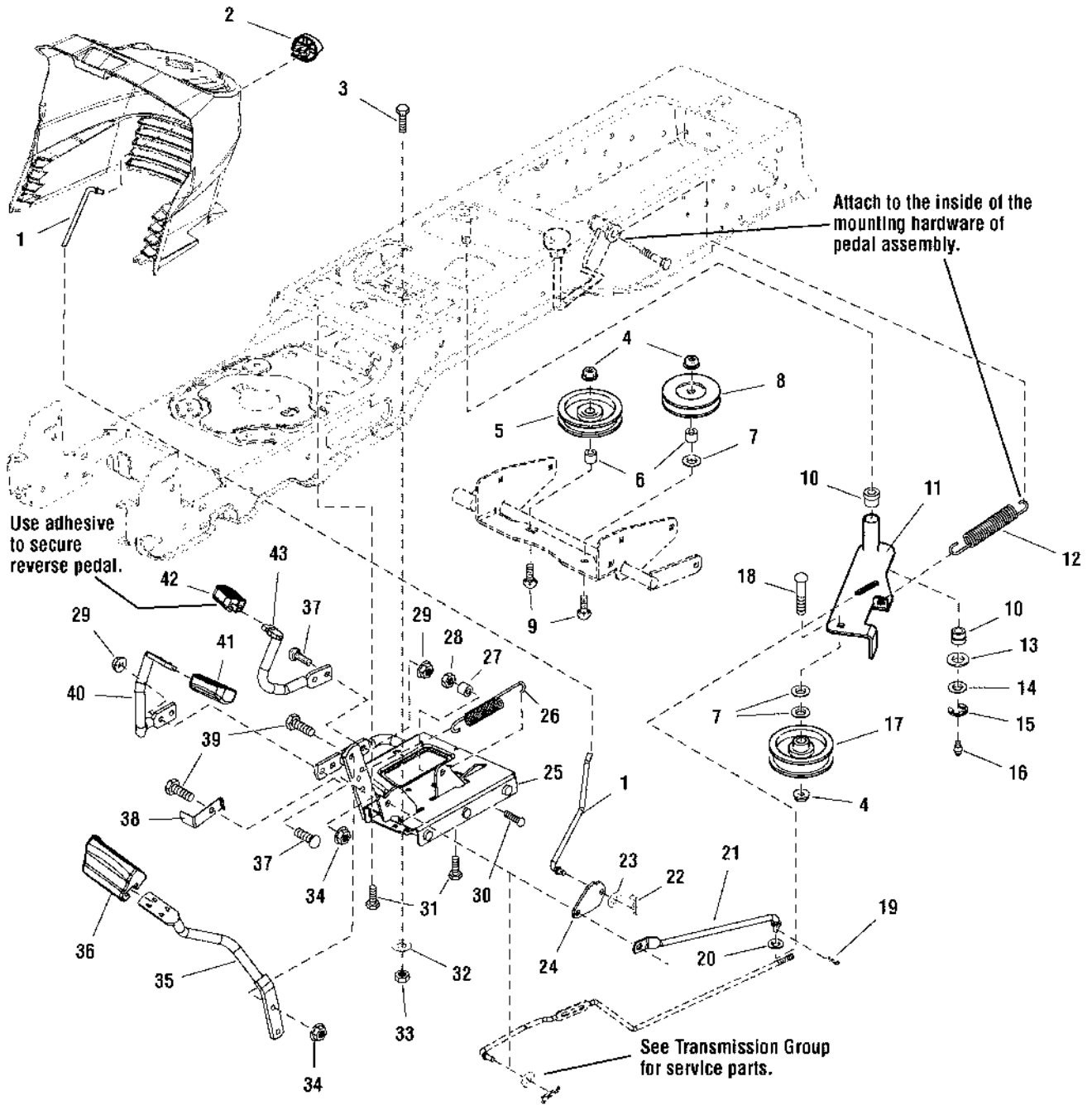
Footnotes:



Controls Group

Item	Part No	Qty	Description
1	1721353	1	ROD, Brake
2	1721891	1	KNOB, Push On, Red
3	1930591	1	CAPSCREW, Hex Head Flange Lock, 5/16-18 x 3/4
4	1960687	3	NUT, Hex Flange, 3/8-16 ESNA
5	1721134	1	PULLEY ASSEMBLY, 3 OD, W/Bearing
6	1667811	2	SPACER
7	1922755	3	WASHER, 3/8
8	1710545	1	PULLEY, Idler 4 OD
9	1960315	2	CARRIAGE BOLT, 3/8-16 x 2 G5
10	1663114	2	BUSHING
11	1727370	1	ARM & HUB ASSEMBLY, Idler
12	1727910	1	SPRING, Extension
13	1960020	1	WASHER, 5/8
14	1924366	1	WASHER, 5/8
15	1704420	1	RING, Clipping
16	1704314	1	FITTING, Lube, 1/4 Ball Check
17	1710539	1	PULLEY, Idler 3-1/4 OD
18	1960315	1	CARRIAGE BOLT, 3/8-16 x 2 G5
19	1918447	1	PIN, Cotter
20	1924940	1	WASHER
21	1727408	1	ROD, Brake (Flat Ends)
22	1722460	1	PIN, Quick
23	1919326	1	WASHER
24	1721354A	1	LATCH, Brake
25	1726763	1	CONTROL ASSEMBLY, Foot Pedal
26	1721995	1	SPRING, Extension
27	1686612	1	CAM, Roller
28	1920397	1	NUT, Hex Lock ESNA, 1/4-20
29	1960636	4	NUT, Hex KEPS, 5/16-18
30	1931320	1	CARRIAGE BOLT, 1/4-20 x 1-1/4
31	1664847	3	CAPSCREW, Hex head Washer Taptite, 5/16-18 x 3/4
32	1919381	1	WASHER
33	1919438	1	NUT, Hex Lock ESNA, 5/16-18
34	1927557	3	NUT, Hex Flange Lock, 5/16-18
35	1722535A	1	PEDAL, Brake
36	1721577	1	PAD, Brake Pedal
37	1931334	4	CARRIAGE BOLT, 5/16-18 x 7/8

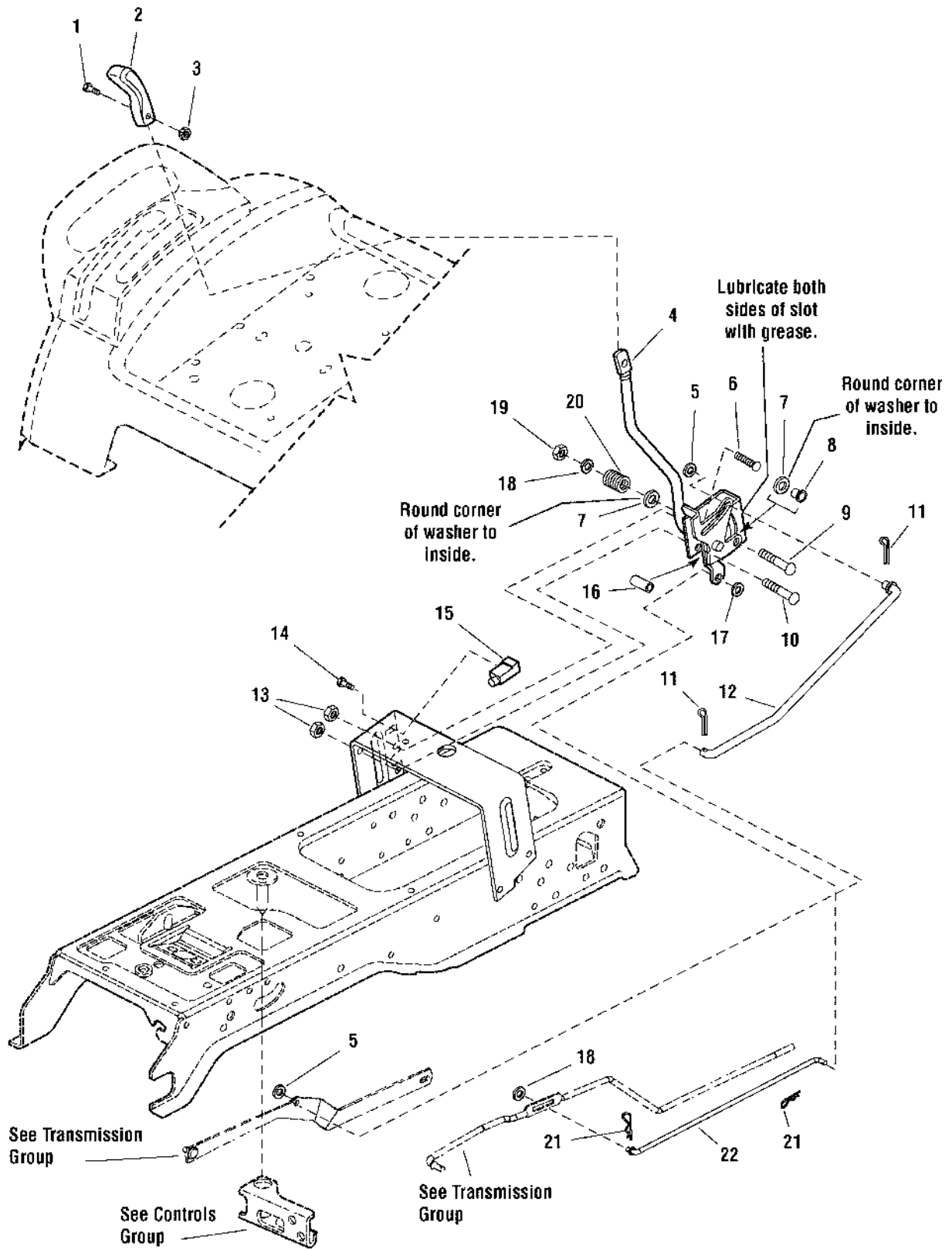
Footnotes:



Controls Group

Item	Part No	Qty	Description
38	1722083A	1	ACTUATOR, Switch
39	1921333	3	CAPSCREW, Hex Head, 5/16-18 x 1
40	1722070A	1	PEDAL, Forward
41	1721675	1	PAD, Foot Pedal Forward
42	1721674	1	PAD, Foot Pedal Reverse
43	1722071A	1	PEDAL, Reverse

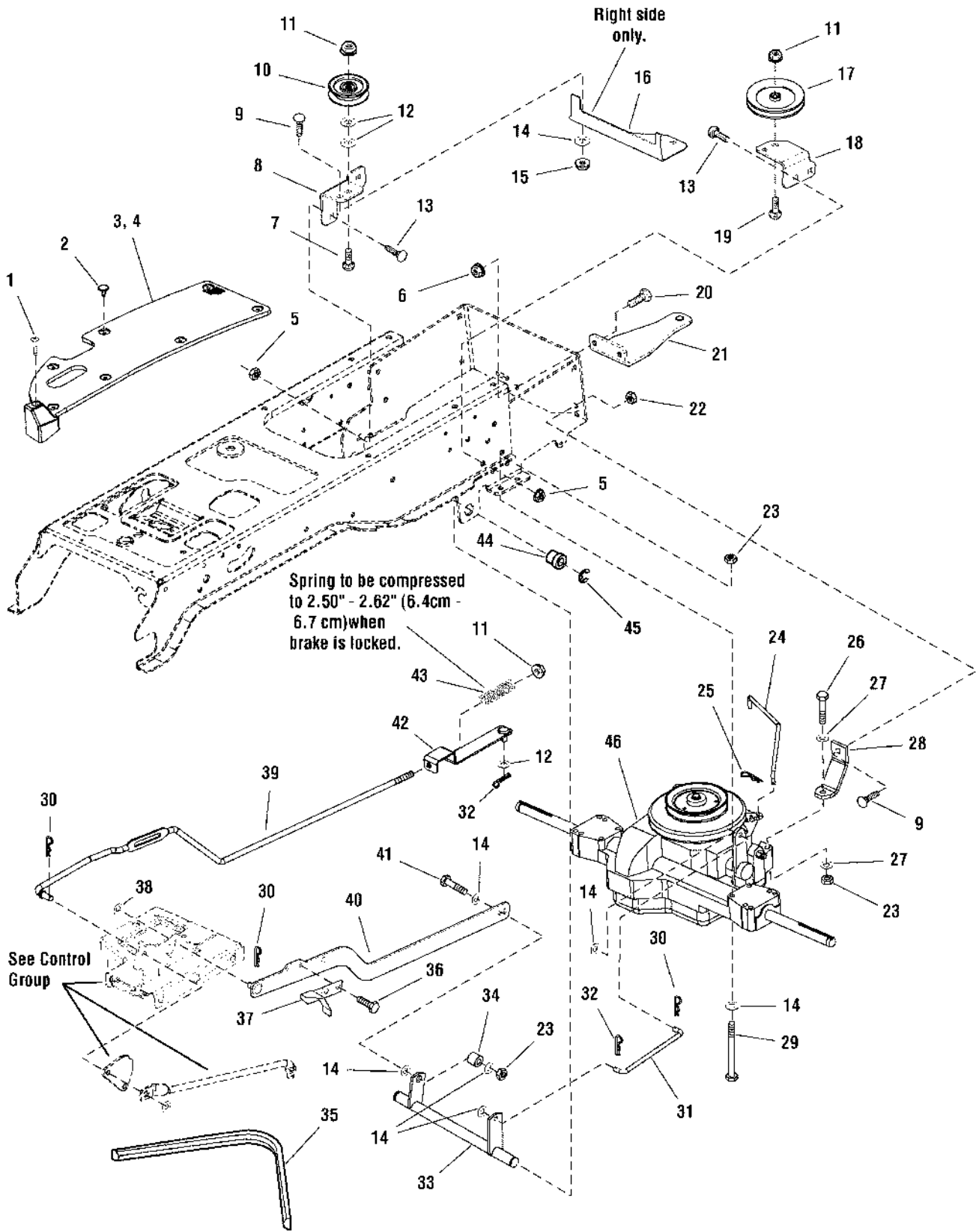
Footnotes:



Cruise Control Group

Item	Part No	Qty	Description
1	1960666	1	CAPSCREW, Torx Socket Head, 1/4-20 x 7/8
2	1722303	1	KNOB, Cruise
3	1920397	1	NUT, Hex ESNA Lock, 1/4-20
4	1723258	1	LEVER & BRACKET ASSEMBLY, Cruise
5	1960103	3	WASHER
6	1931333	1	CARRIAGE BOLT, 5/16-18 x 3/4
7	926192	2	WASHER, 9/16 x 1-1/4 x 1/8
8	1709043	1	SPACER
9	1931342	1	CARRIAGE BOLT, 5/16-18 x 2-3/4
10	1960273	1	CARRIAGE BOLT, 5/16-18 x 2-1/4
11	1918447	2	PIN, Cotter
12	1726059	1	ROD, Cruise
13	1960636	2	NUT, Hex KEPS, 5/16-18
14	1960001	2	CAPSCREW, Hex Head Plastite, 10-14 x 5/8
15	1717050	1	SWITCH, Push, Neutral Start, Gray
16	1722080	1	SPACER
17	1919326	1	WASHER
18	1919381	2	WASHER
19	1919438	1	NUT, Hex ESNA Lock, 5/16-18
20	1677746	1	SPRING, Compression
21	1722460	2	PIN, Quick
22	1723099	1	ROD, Cruise Return

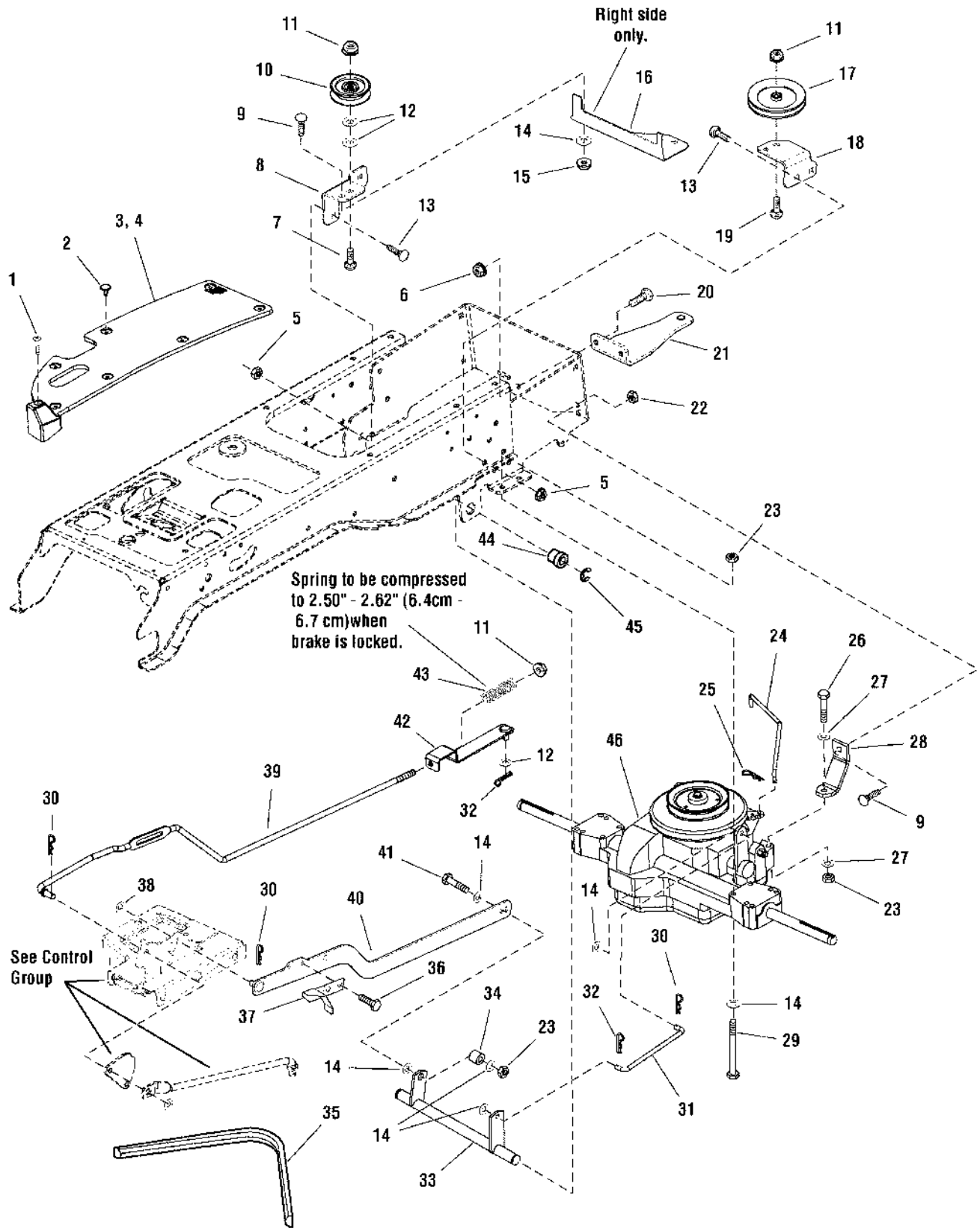
Footnotes:



Transmission Group - Tuff Torq K-46BF

Item	Part No	Qty	Description
1	1960676	2	SCREW, Pan Head Torx Taptite, 1/4-20 x 1-1/4
2	1704351	15	FASTENER, Panel 3/4 Head
3	1722173	1	PAD, Footrest, RH Black Vinyl Textured
4	1722174	1	PAD, Footrest with Differential Lock, LH Black Vinyl Texture
5	1960637	4	NUT, Hex KEPS, 3/8-16
6	1928352	2	NUT, Hex Flange, 3/8-16 Whiz Lock Large
7	1931353	1	CARRIAGE BOLT, 3/8-16 x 1-3/4 G5
8	1726052A	1	SUPPORT, Idler, RH
9	1931333	3	CARRIAGE BOLT, 5/16-18 x 3/4 G5
10	2174561	1	PULLEY, 3 in.
11	1960687	3	NUT, Hex Flange 3/8-16 ESNA
12	1922755	3	WASHER, 3/4
13	1931350	4	CARRIAGE BOLT, 3/8-16 x 1 G5
14	1919326	10	WASHER, 5/16
15	1960684	2	NUT, Hex KEPS, 5/16-18 Conical Washer
16	1727431A	1	BRACKET, Chute Locator
17	1710545	1	PULLEY, Idler, 4 in.
18	1726053A	1	SUPPORT, Idler, LH
19	1931352	1	CARRIAGE BOLT, 3/8-16 x 1-1/2 G5
20	1921210	2	CAPSCREW, Hex Head, 3/8-16X1.000 G5 BLK
21	1727400A	1	DRAWBAR, 1/4 in. Thick
22	1960636	1	NUT, Hex KEPS, 5/16-18
23	1919438	6	NUT, Hex Lock ESNA Light, 5/16-18NC-3B
24	1727526	1	ROD, Transmission Release
25	1960221	1	CLIP, Hair Pin Spring
26	1921978	1	CAPSCREW, Hex Head, 5/16-18 x 2 G5
27	1960141	2	WASHER, 5/16
28	1726055A	1	STRAP, Torque, 1/4 Thick 4 in. Long
29	1923141	4	CAPSCREW, Hex Head, 5/16-18 x 2-3/4 G5
30	1722460	3	PIN, Quick
31	1723045	1	ROD, Control
32	1918447	2	PIN, Cotter
33	1727552	1	SHAFT & ARMS ASSEMBLY, Control
34	1666697	1	SPACER, Powered Metal
35	1727407	1	V-BELT, Drive Belt
36	1924856	2	CAPSCREW, Hex Washer Head Taptite, 5/16-18 x 1/2
37	1727215A	1	ACTUATOR, Switch

Footnotes:

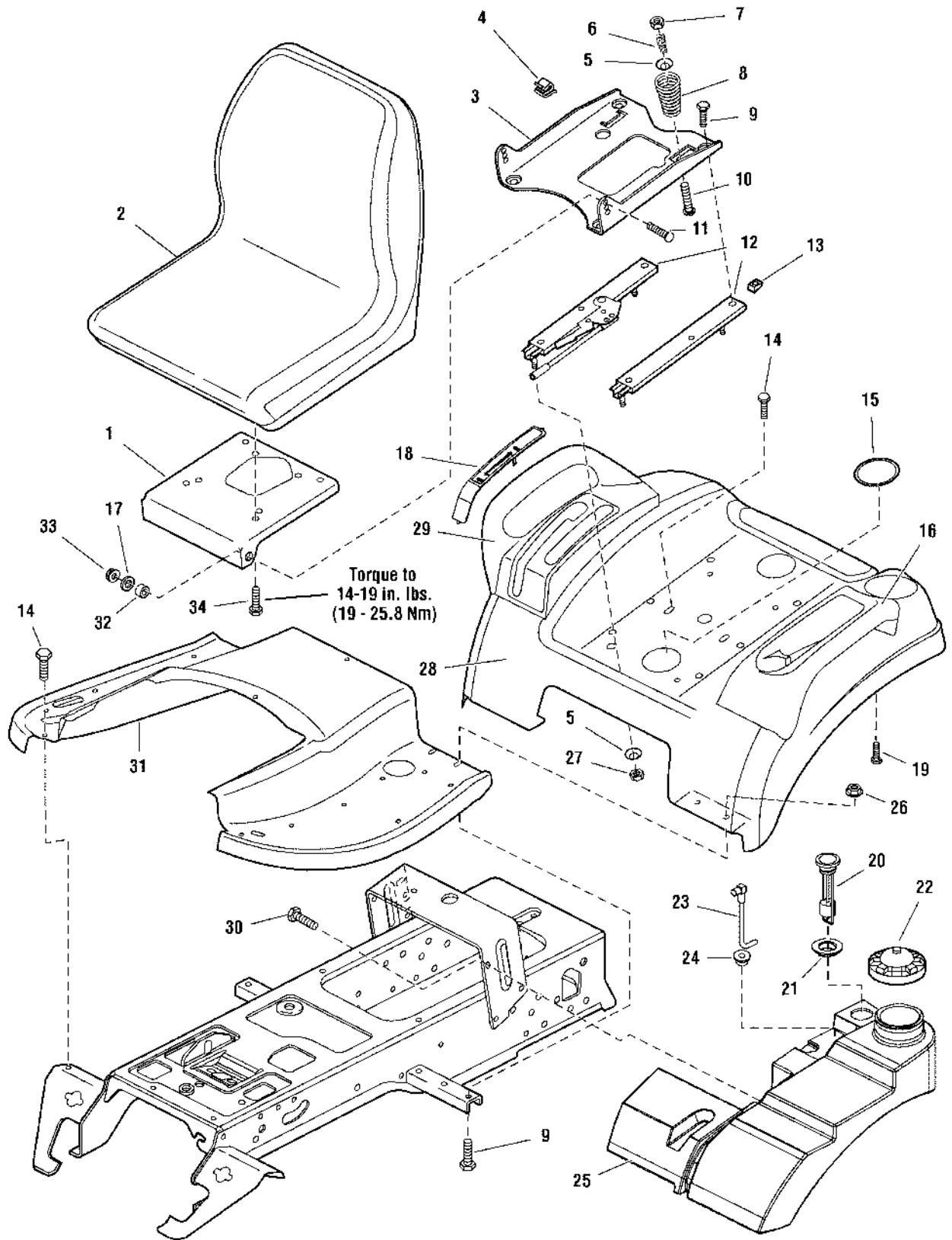


Transmission Group - Tuff Torq K-46BF

Item	Part No	Qty	Description
38	1924940	1	WASHER, 3/8
39	1726057	1	ROD, Brake
40	1727473	1	ARM & PIN ASSEMBLY, Speed Control
41	1921333	1	CAPSCREW, Hex Head, 5/16-18 x 1 G5
42	1723267	1	BRACKET & PIN ASSEMBLY, Brake
43	1729277	1	SPRING, Compression
44	2176440	2	BUSHING, Nylon
45	2927794	2	RING, E Retaining
46	1727712	1	TRANSMISSION ASSEMBLY, Tuff Torq K46BF

Footnotes:

Seat Deck & Fuel Tank Group

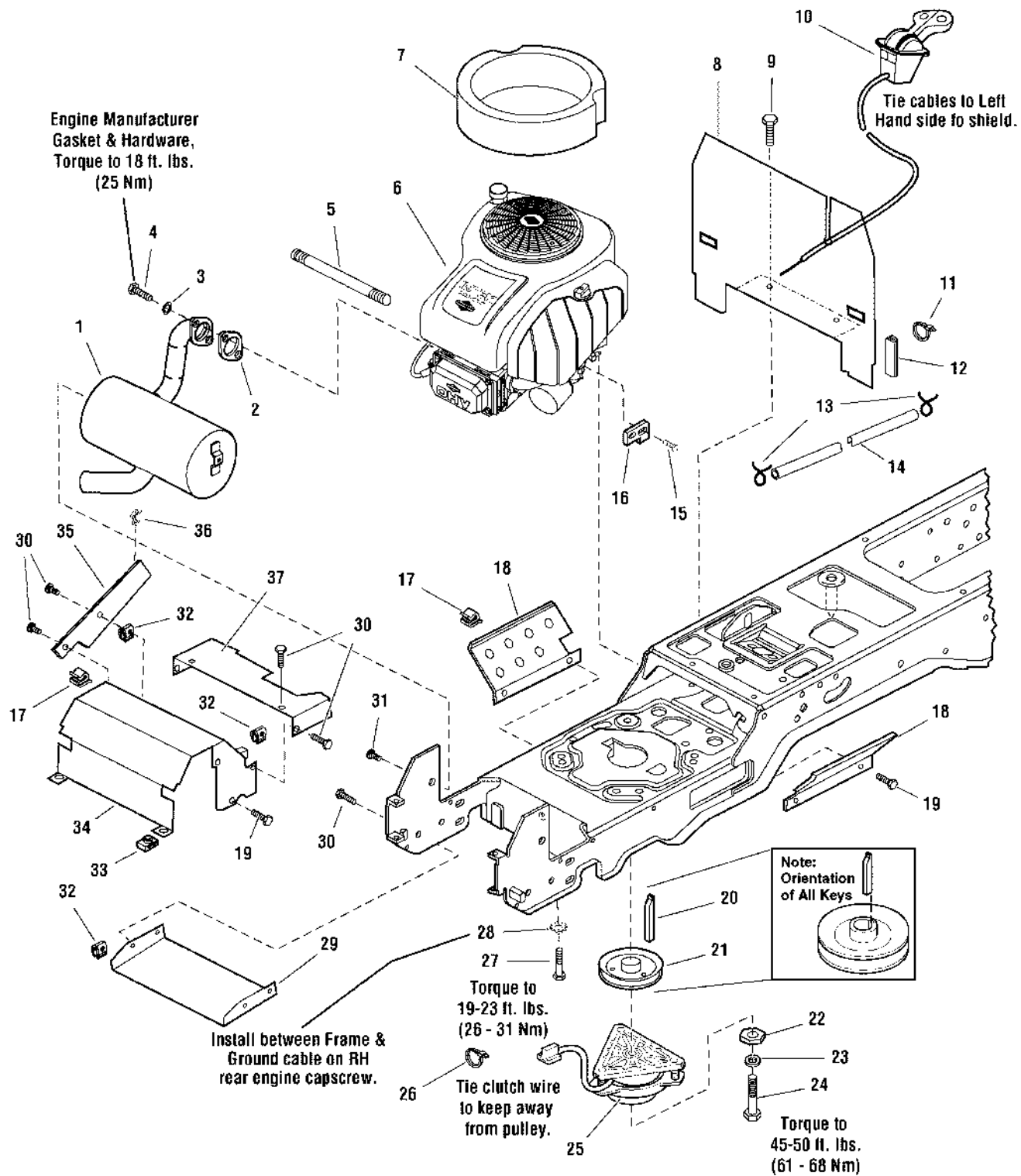


Seat Deck & Fuel Tank Group

Item	Part No	Qty	Description
1	1722129A	1	BRACKET, Seat
2	1725019	1	SEAT, 15" Back, Snapper Logo
3	1722128A	1	SUPPORT, Seat
4	2172434	1	CLIP, Wire
5	1709256A	6	WASHER, Spring
6	1714263	2	SPRING, Compression
7	1919438	2	NUT, Hex Lock ESNA, 5/16-18
8	1717051	2	SPRING, Compression
9	1930591	8	CAPSCREW, Hex Head Whizlock, 5/16-18 x 3/4
10	1931339	2	CARRIAGE BOLT, 5/16-18 x 2
11	1931350	2	CARRIAGE BOLT, 3/8-16 x 1
12	1722356	1	SLIDE, Seat, (2 Piece Set)
13	1935255	4	NUT, Speed, 5/16-18
14	1930601	4	CAPSCREW, Hex Head Taptite, 5/16-18 x 5/8
15	1722309	1	PLUG, Hole Black
16	1722109	1	POD, LH, w/Cup Holder
17	1924940	2	WASHER
18	1722313	1	COVER, Cruise, w/Symbols
19	2960664	4	CAPSCREW, Hex Head Washer Dog Point, 1/4-20 x 7/8
20	1722300	1	GAS GAUGE
21	1722337	1	GROMMET
22	1715917	1	CAP, Gas
23	1722340	1	TUBE & ELBOW ASSEMBLY
24	1654930	1	BUSHING
25	1722652	1	TANK, Fuel
26	1931277	4	NUT, Hex Whiz Lock, 5/16-18
27	1960636	4	NUT, Hex KEPS, 5/16-18
28	1727397D	1	DECK, Seat, Red
29	1722108	1	POD, RH, W/2 Slots
30	2934665	1	CAPSCREW, Hex Head Whizlock, 5/16-18 x 5/8
31	1722105D	1	TUNNEL, Footrest, Red
32	1663752	2	SPACER
33	1930645	2	NUT, Hex Flange Lock, 3/8-16
34	1960667	4	CAPSCREW, Hex Head Flange Lock, 5/16-18 x 3/4

Footnotes:

Engine Group - 18 HP INTEK Single Cyl.



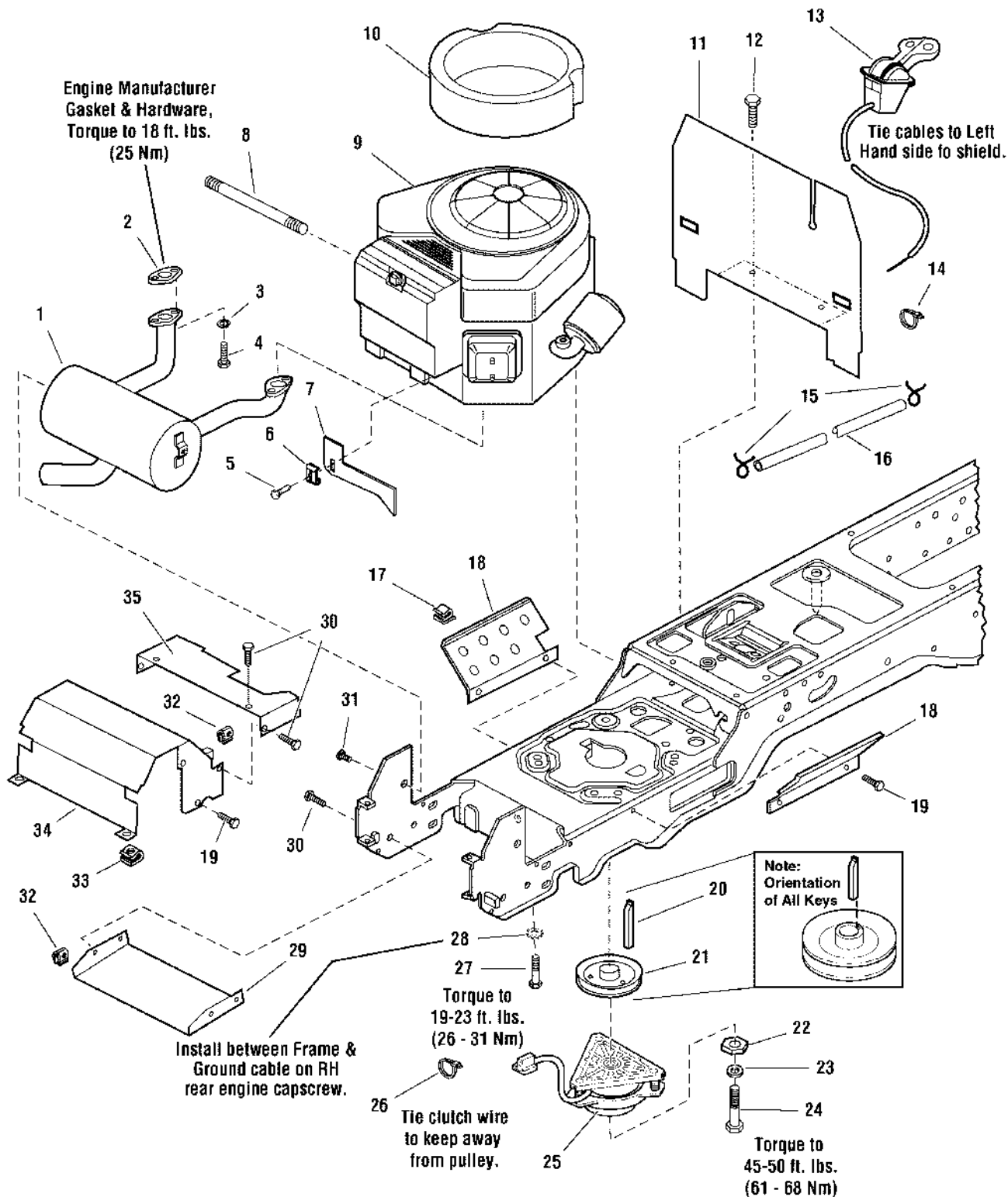
Engine Group - 18 HP INTEK Single Cyl.

Item	Part No	Qty	Description
1	1723467	1	MUFFLER
2	-	2	* GASKET
3	1917356	4	LOCKWASHER, 5/16
4	2960660	4	CAPSCREW, Socket Head, 5/16-18 x 7/8, G8
5	1723165	1	HOSE, Oil Drain
6	-	1	* ENGINE, 18HP B&S INTEK Single Mod. 31H777-0118-E1
7	1722950	1	SEAL, Circle
8	1722388A	1	BULKHEAD
9	1925003	2	CAPSCREW, Hex Head Taptite, 1/4-20 x 1/2
10	1724013	1	CONTROL, Throttle/Choke
11	2925094	1	TIE
12	1723894	1	EDGING, Rubber
13	2960112	2	CLAMP, Hose Type E
14	1723174	1	HOSE, 59" Long
15	1726466	1	SCREW, Trox Head Taptite, #8-32 x 1/2
16	1726465	1	PLATE, Limiter RPM
17	2934683	2	CLIP, Wire
18	1722392A	2	SHIELD
19	1929000	3	SCREW, Hex Head Taptite, 1/4-20 x 3/8
20	1720463	1	KEY
21	1722288	1	PULLEY & HUB ASSEMBLY, 4-1/2 OD
22	1708264	1	WASHER, Hex
23	1918199	1	LOCKWASHER, 7/16
24	1960648	1	CAPSCREW, Hex Head, 7/16-20 x 2-3/4
25	1720532	1	CLUTCH, Electric, OGURA
26	2932747	1	TIE
27	2930598	4	CAPSCREW, Hex Head Taptite, 3/8-16 x 1-1/2
28	2920427	1	LOCKWASHER, External Tooth, 3/8
29	1722414A	1	SHIELD, Muffler Bottom
30	1960295	6	CAPSCREW, Hex Head Flange Lock 1/4-20 x 5/8
31	1924856	2	CAPSCREW, Hex Head Taptite, 5/16-18 x 1/2
32	1960368	5	NUT, Speed, 1/4-20
33	1935255	2	NUT, Speed, 5/16-18
34	1722389A	1	DUCT, Muffler Top
35	1723897A	1	GUARD, Manifold Pipe
36	2172434	1	CLIP, Wire
37	1722390A	1	DUCT, Muffler Extension

Footnotes:

Note* See your local Briggs & Stratton distributor for parts and service.

Engine Group - 18 HP & 20 HP VANGUARD Twin Cyl.

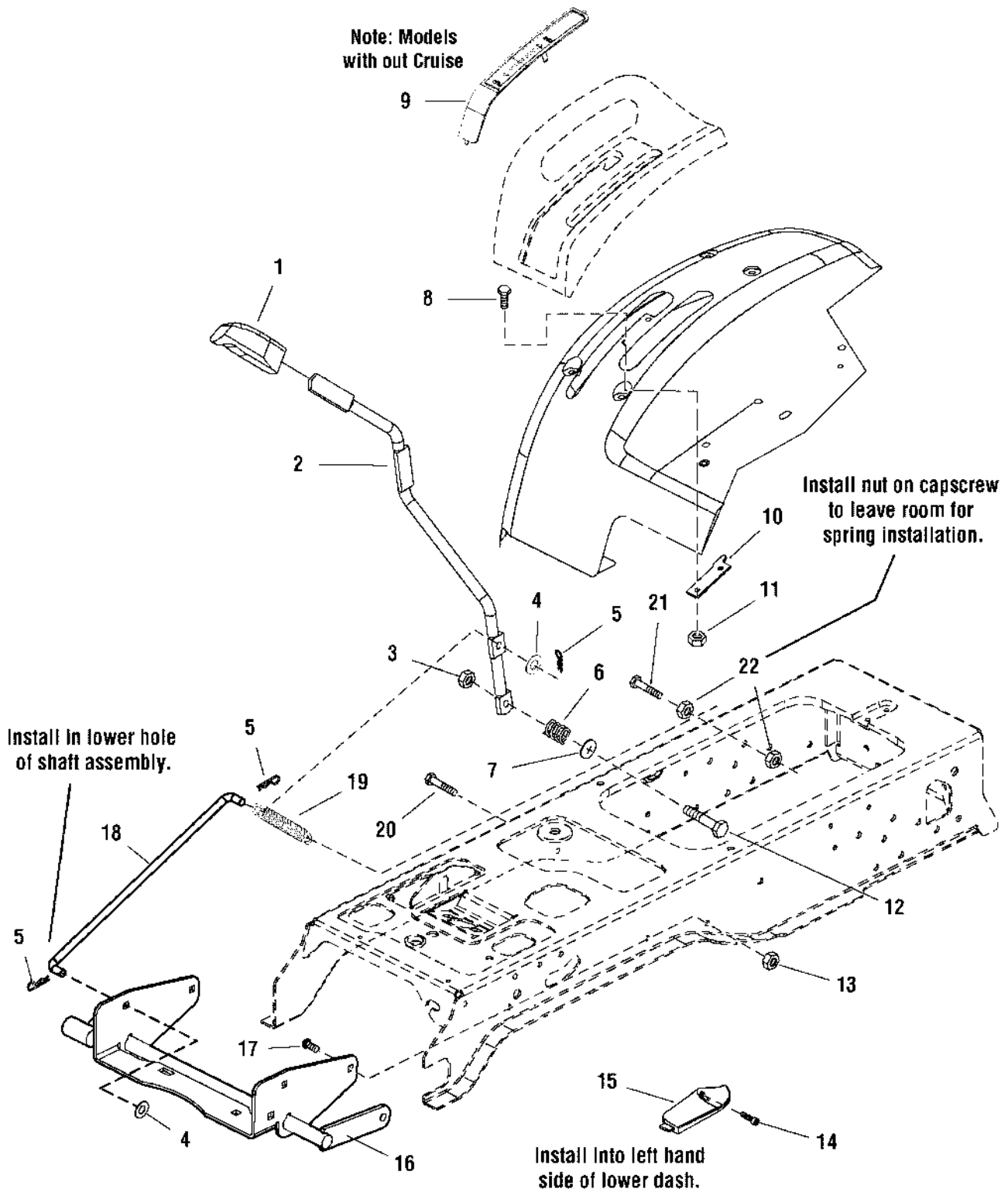


Engine Group - 18 HP & 20 HP VANGUARD Twin Cyl.

Item	Part No	Qty	Description
1	1722625	1	MUFFLER
2	--	1	* GASKET
3	1917356	2	LOCKWASHER, 5/16
4	2960660	2	CAPSCREW, Socket Head, 5/16-18 x 7/8, G8
5	1728125	1	SCREW, Pan Head Trox, #10-32 x 5/8
6	1728126	1	CLAMP, Throttle Cable
7	1727696	1	PLATE, Limiter RPM
8	1723165	1	HOSE, Oil Drain
9	--	1	* ENGINE, 18HP B&S INTEK Twin Mod. 356777-0113-E1
9	--	1	* ENGINE, 20HP B&S INTEK Twin Mod. 358777-0110-E1
10	1722949	1	SEAL, Circle
11	1722388A	1	BULKHEAD
12	1925003	2	CAPSCREW, Hex Head Taptite, 1/4-20 x 1/2
13	1727223	1	CONTROL, Throttle Double 39" Long w/Knobs
14	2925094	1	TIE
15	2960112	2	CLAMP, Hose Type E
16	1723165	1	HOSE, 59" Long
17	2934683	2	CLIP, Wire
18	1722392A	2	SHIELD
19	1929000	8	SCREW, Hex Head Taptite, 1/4-20 x 3/8
20	1720463	1	KEY
21	1722288	1	PULLEY & HUB ASSEMBLY, 4-1/2 OD
22	1708264	1	WASHER, Hex
23	1918199	1	LOCKWASHER, 7/16
24	1960648	1	CAPSCREW, Hex Head, 7/16-20 x 2-3/4
25	1720532	1	CLUTCH, Electric, OGURA
26	2932747	1	TIE
27	2930598	4	CAPSCREW, Hex Head Taptite, 3/8-16 x 1-1/2
28	2920427	1	LOCKWASHER, External Tooth, 3/8
29	1722414A	1	SHIELD, Muffler Bottom
30	1960295	8	CAPSCREW, Hex Head Flange Lock, 1/4-20 x 5/8
31	1924856	2	CAPSCREW, Hex Head Taptite, 5/16-18 x 1/2
32	1960368	8	NUT, Speed, 1/4-20
33	1935255	2	NUT, Speed, 5/16-18
34	1722389A	1	DUCT, Muffler Top
35	1722390A	1	DUCT, Muffler Extension

Footnotes:

Note* See your local Briggs & Stratton distributor for parts and service.

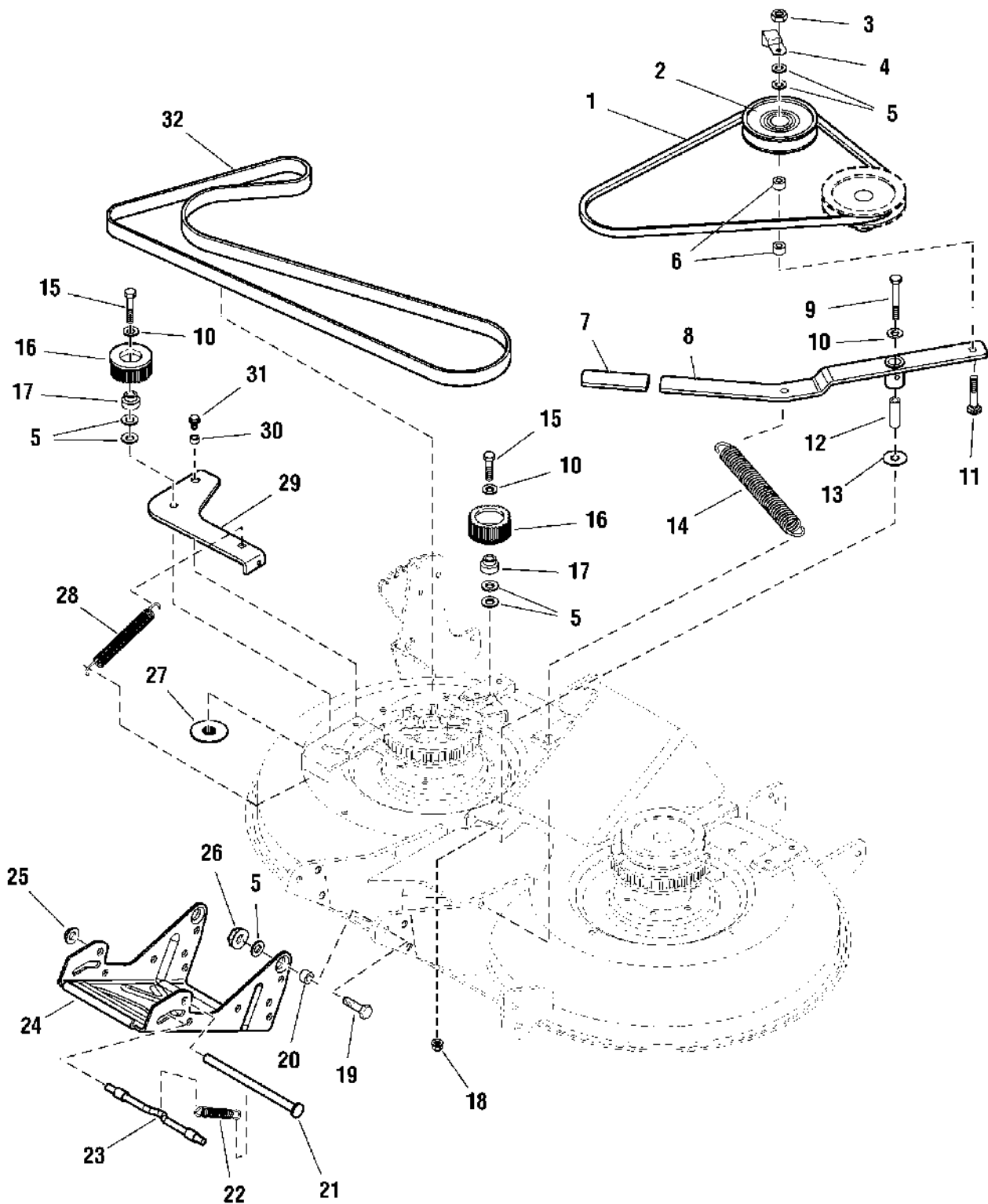


Lift Group

Item	Part No	Qty	Description
1	1722302	1	GRIP, Black Vinyl
2	1722024A	1	ROD, Lift Lever
3	1930645	1	NUT, Hex Flange Lock, 3/8-16
4	1924940	2	WASHER
5	1722460	2	PIN, Quick
6	2162085	1	SPRING, Compression
7	1723866	1	NUT, Push, 3/8
8	1923341	2	CAPSCREW, Hex Head, 1/4-20 x 3/4
9	1722313	1	COVER, W/Lift Icon, models without cruise
10	1722284A	1	QUADRANT
11	1920397	2	NUT, Hex Lock ESNA, 1/4-20
12	1923701	1	CAPSCREW, Hex Head, 3/8-16 x 2
13	1960636	4	NUT, KEPS Lock, 5/16-18
14	1722607	1	SCREW, Torx Head, # 8-16 x 1/2
15	1722285	1	COVER, Dash, modles without cruise
16	1726404	1	LIFT SHAFT ASSEMBLY
17	1931333	1	CARRIAGE BOLT, 5/16-18 x 3/4
18	1725037	1	ROD, Lift
19	2156302	1	SPRING, Extension
20	1921977	1	CAPSCREW, Hex Head, 5/16-18 x 1-1/4
21	1921971	1	CAPSCREW, Hex Head, 3/8-16 x 1-3/4
22	1960680	2	NUT, KEPS Lock, 3/8-16

Footnotes:

40" Mower Deck - Belt, Idle Arm & Hitch

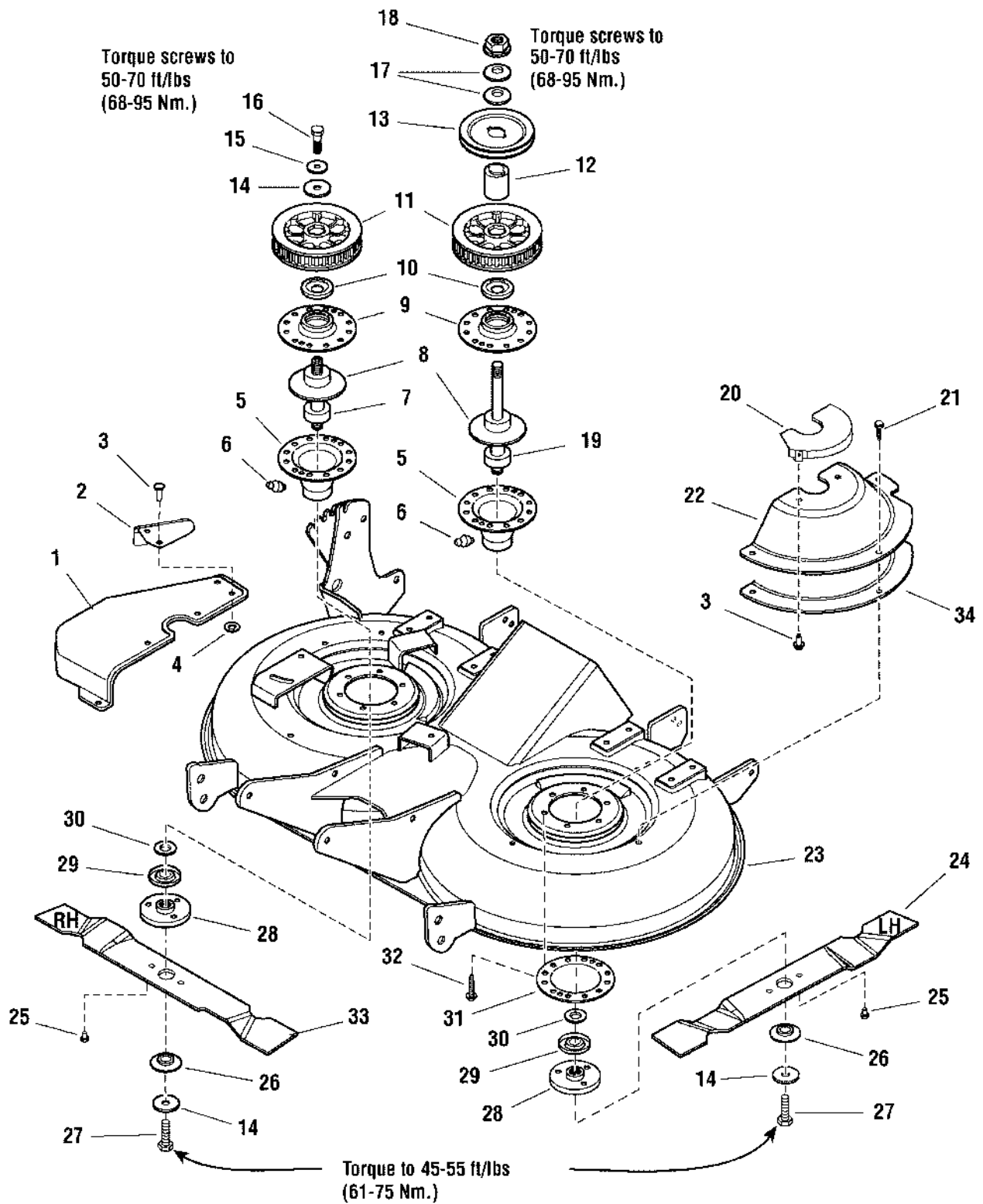


40" Mower Deck - Belt, Idle Arm & Hitch

Item	Part No	Qty	Description
1	1725557	1	V-BELT
2	2101096	1	PULLEY, 4-1/2 OD
3	1919439	1	NUT, Hex Lock ESNA, 3/8-16
4	1719842	1	STOP, Belt
5	1924940	8	WASHER
6	2157081	2	SPACER
7	1719965	1	GRIP, Black
8	1720444	1	IDLER ARM ASSEMBLY, w/Bushings
9	1960614	1	CAPSCREW, Hex Head, 3/8-16 x 3, G8
10	1922755	3	WASHER
11	1960615	1	CARRIAGE BOLT, 3/8-16 x 2-1/2
12	1657242	1	SPACER
13	1933263	1	WASHER
14	1715435	1	SPRING, Extension
15	1923701	2	CAPSCREW, Hex Head, 3/8-16 x 2
16	1724802	2	PULLEY, Idler
17	1719221	2	HUB, Pulley
18	1928352	2	NUT, Hex Flange Lock, 3/8-16
19	1921968	2	CAPSCREW, Hex Head, 3/8-16 1-3/8
20	2172329	2	SPACER
21	1713578	1	ROD
22	2156302	1	SPRING, Extension
23	1715759	1	ROD
24	1720044A	1	HITCH, Mower
25	1960519	1	NUT, Push
26	960681	2	NUT, Spiral Flange Toplock, 3/8-16
27	1721425	1	WASHER & LOCK NUT ASSEMBLY, 3/8-16
28	1674671	1	SPRING, Extension
29	1726387A	1	ARM, Idler
30	1666697	1	SPACER
31	1930601	1	CAPSCREW, Hex Head Taptite, 5/16-18 x 5/8
32	1724626	1	BELT, Timing

Footnotes:

40" Mower Deck - Housing, Arbors & Blade



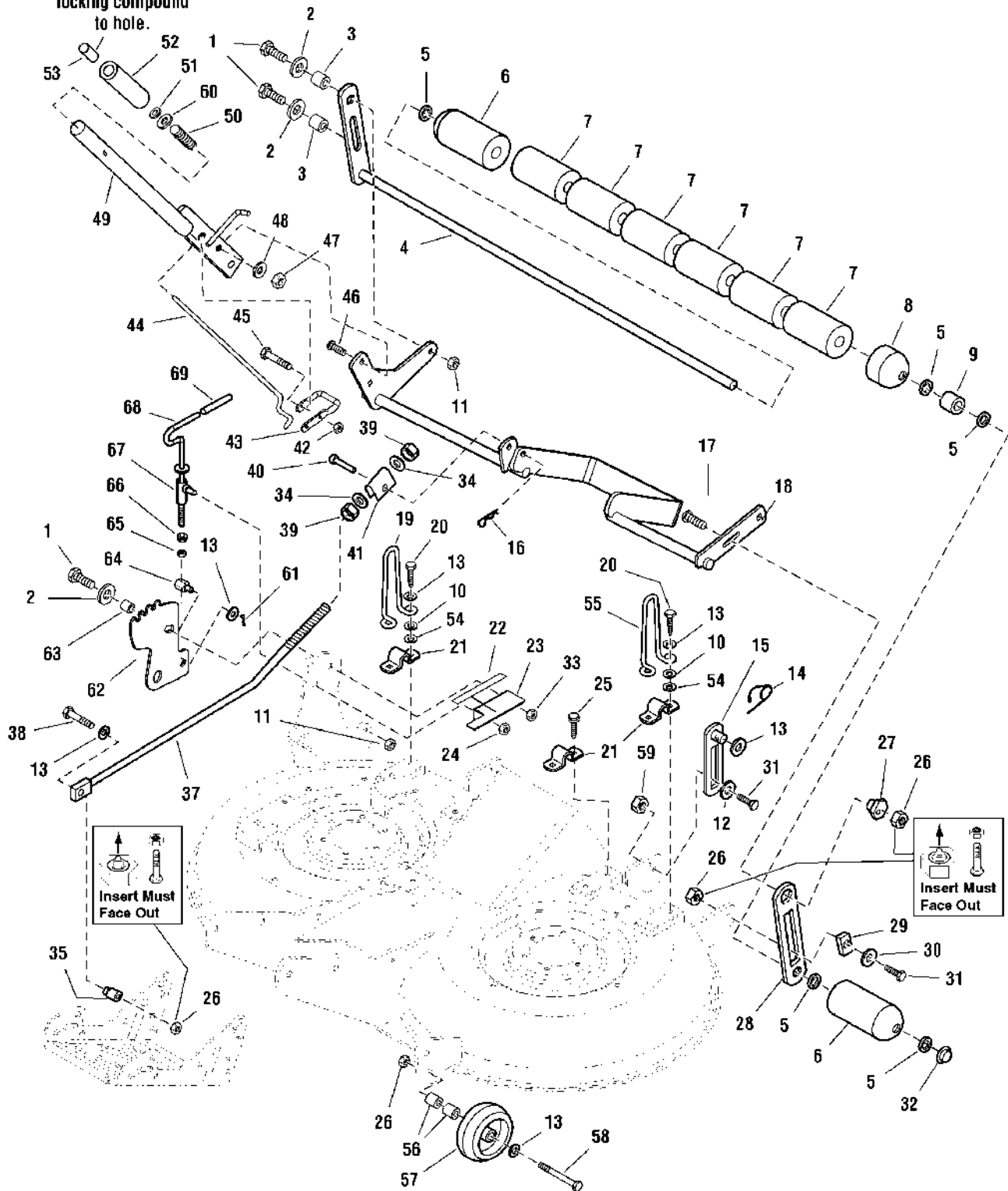
40" Mower Deck - Housing, Arbors & Blade

Item	Part No	Qty	Description
1	1724600	1	COVER, Arbor, RH
2	1721132A	1	GUARD, Extension
3	1675044	4/2	RIVET, Pop
4	1960096	2	WASHER
5	1703273A	2	HOUSING, Arbor, Bottom w/Lube Fitting
6	1704314	2	FITTING, Lube
7	1722396	1	ARBOR SHAFT & BEARING ASSEMBLY
8	1707335	2	GASKET
9	1655729A	2	HOUSING, Arbor, Top
10	1657969A	2	SHIELD, Bearing
11	1724453	2	SPROCKET & FLANGE ASSEMBLY, 38 Tooth
12	1719862	1	HUB
13	1713091	1	PULLEY, Arbor 5" OD
13	1732123	1	PULLEY, Arbor 6" OD
14	1656916	2	WASHER, Spring
15	1933263	1	WASHER
16	1930584	1	CAPSCREW, Hex Head, 7/16-14 x 2-3/4, GR8
17	1713675	2	WASHER, Belleville
18	1714419	1	NUT, Hex Flange, 9/16-18
19	1726826	1	ARBOR SHAFT & BEARING ASSEMBLY
20	1721258A	1	GUARD & BRACKET ASSEMBLY, LH (Used on 5" Arbor Pully)
21	1664847	6	CAPSCREW, Hex Head Taptite, 5/16-18 x 3/4
22	1724601	1	COVER, Arbor, LH (Used on 5" Arbor Pully)
22	1732201	1	Cover, Arbor, LH (Used on 6" Arbor Pully)
23	1727233D	1	HOUSING ASSEMBLY, Red
24	1727477A	1	BLADE, Mower LH, Mulching High Lift
25	1722258	2	PIN, Blade
26	1722257	2	WASHER, Spline
27	2927120	2	CAPSCREW, Hex Head, 7/16-14 x 2-1/4, GR8
28	1655777	2	ADAPTER, Blade
29	1700229A	2	SHIELD, Bearing
30	1700230	2	WASHER, Shim
31	1677274A	2	ADAPTER, Arbor
32	1960373	12	CAPSCREW, Hex Head Taptite, 5/16-18 x 1
34	1732960A	1	SHIM, Cover LH (Used on 5" Arbor Pully)
33	1727478A	1	BLADE, Mower RH, Mulching High Lift

Footnotes:

40" Mower Deck - Height Adjustment & Roller Bar

Note: Apply thread locking compound to hole.



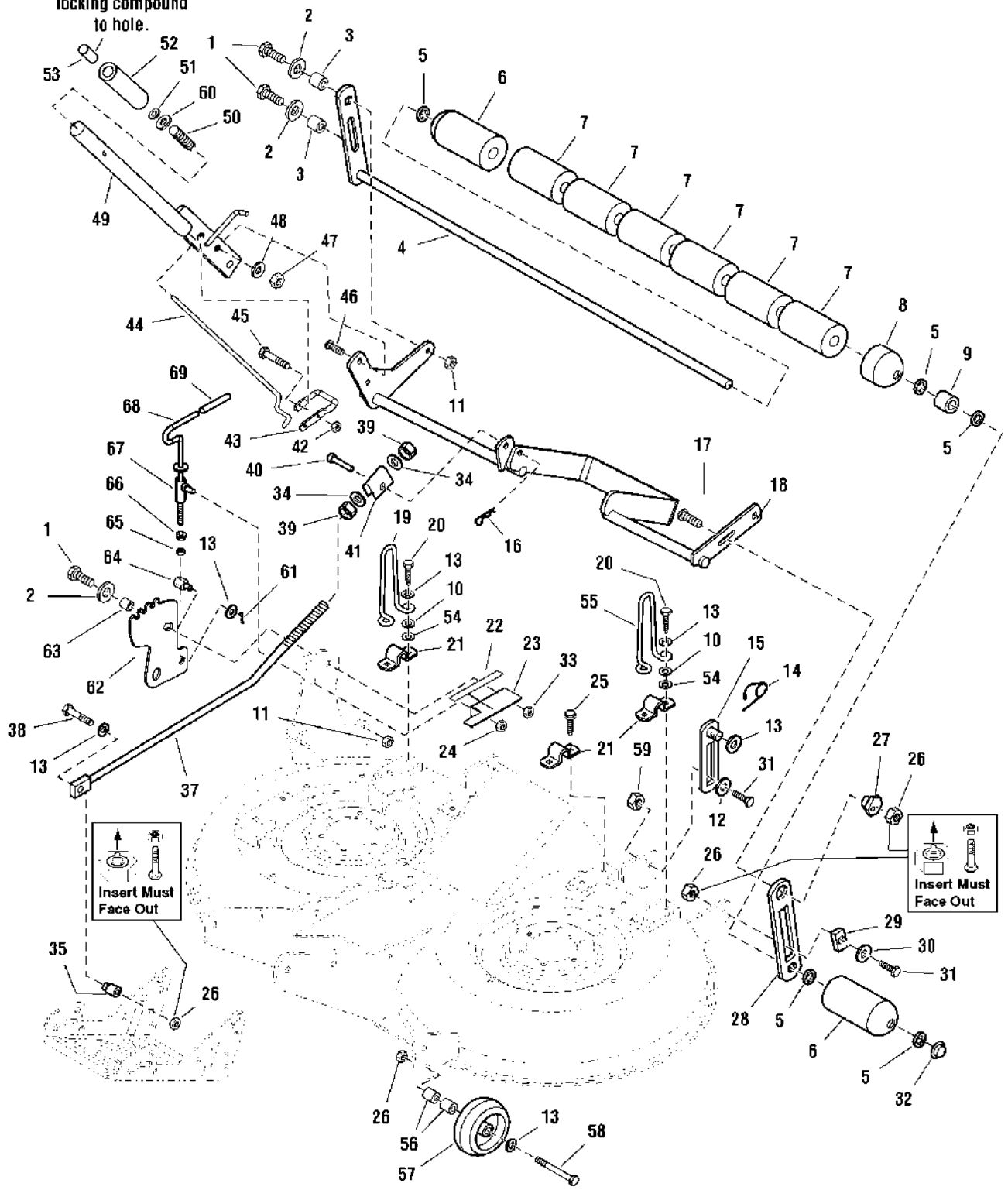
40" Mower Deck - Height Adjustment & Roller Bar

Item	Part No	Qty	Description
1	1921977	3	CAPSCREW, Hex Head, 5/16-18 x 1-1/4
2	1960044	3	WASHER
3	1960236	2	SPACER
4	1723305A	1	SHAFT & BAR ASSEMBLY
5	1924366	7	WASHER
6	1722036	2	ROLLER
7	1668513	6	ROLLER
8	1717675	1	ROLLER
9	1602946	1	SPACER
10	1919381	4	WASHER
11	2960643	2	NUT, Hex Flange Lock, 5/16-18
12	1960170	2	WASHER, 3/8
13	1924940	8	WASHER
14	2176012	1	RETAINER, Pin
15	1725043	1	LINK & PIN ASSEMBLY
16	1722460	1	PIN, Retaining
17	1931352	1	CARRIAGE BOLT, 3/8-16 x 1-1/2
18	1726049A	1	SHAFT & ARM ASSEMBLY
19	1720659	1	STOP, Up
20	1931202	4	CAPSCREW, Hex Head Taptite, 5/16-18 x 1-1/4
21	1665374A	3	STRAP
22	1723470	1	DECAL, Height of Cut
23	1720931A	1	BRACKET, Height of Cut
24	1919438	2	NUT, Hex ESNA, 3/8-16
25	1664847	2	CAPSCREW, Hex Head Taptite, 5/16-18 x 3/4
26	960681	5	NUT, Spiral Flange Toplock, 3/8-16
27	1704082	1	NUT, Hex Adjusting
28	1704073A	1	BAR
29	1677507	1	SLIDE
30	1924361	1	WASHER
31	2172622	3	SHOULDER BOLT, 3/8-16
32	1960520	1	NUT, Push
33	1930651	1	NUT, Hex Centerlock, 3/8-16
34	1960703	2	WASHER, 21/32 x 1 x 1/64
35	1706644	1	SPACER
36	1921332	2	CAPSCREW, Hex Head, 5/16-18 x 3/4
37	1722661	1	ROD, Adjusting

Footnotes:

40" Mower Deck - Height Adjustment & Roller Bar

Note: Apply thread locking compound to hole.

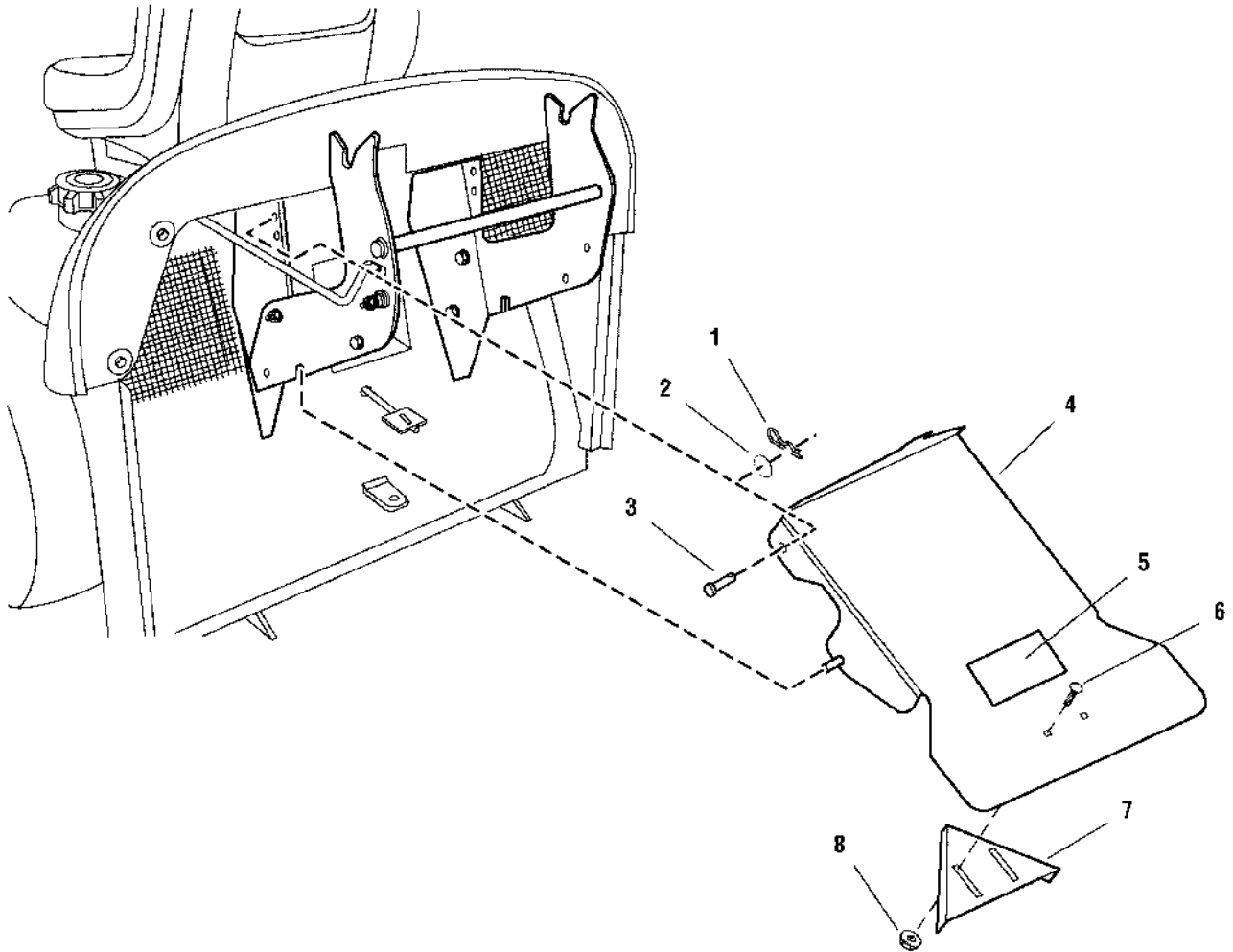


40" Mower Deck - Height Adjustment & Roller Bar

Item	Part No	Qty	Description
38	1922606	1	CAPSCREW,Hex Head, 3/8-16 x 1-3/4, GR8
39	1915726	2	NUT, Hex, 5/8-11
40	2118053	1	PIN, Round Head Drilled, 3/8 x 2
41	1706645A	1	TRUNNION
42	1920397	1	NUT, Hex Lock ESNA, 1/4-20
43	1720599	1	LATCH, "U"
44	1721257	1	ROD
45	1921159	1	CAPSCREW, Hex Head 1/4-20 x 2-1/4
46	1931335	2	CARRIAGE BOLT, 5/16-18 x 1
47	1917372	2	NUT, Hex, 5/16-18
48	1917356	2	LOCKWASHER, 5/16
49	1720695A	1	HANDLE ASSEMBLY, Lift
50	1723321	1	SPRING, Compression
51	1960674	1	NUT, Push
52	1713995	1	GRIP, Black
53	1723124	1	BUTTON, Red
54	1933988	4	NUT, Push
55	1719929	1	UPSTOP
56	1669585	4	SPACER
57	1714760	2	WHEEL, Gauge
58	1923903	2	CAPSCREW, Hex Head, 3/8-16 x 3
59	1916950	2	NUT, Hex, 3/8-16
60	1918265	1	WASHER, 11/32 x 11/16 x 1/16
61	1918447	1	PIN, Cotter, 15/16 x 3/4
62	1723409A	1	BRACKET, Adjusting
63	1666697	1	SPACER, 21/64 x 1/2 x 7/32
64	2108512	1	PIVOT, 3/4 Hex
65	1917421	1	NUT, Hex Jam, 3/8-16 NC-2B
66	1960601	1	NUT, Hex Flange, 3/8-16
67	2108241	1	GUIDE ASSEMBLY, Rod
68	1720704	1	ROD & WASHER ASSEMBLY, Adjustment Handle
69	1651820	1	GRIP, Black Vinyl

Footnotes:

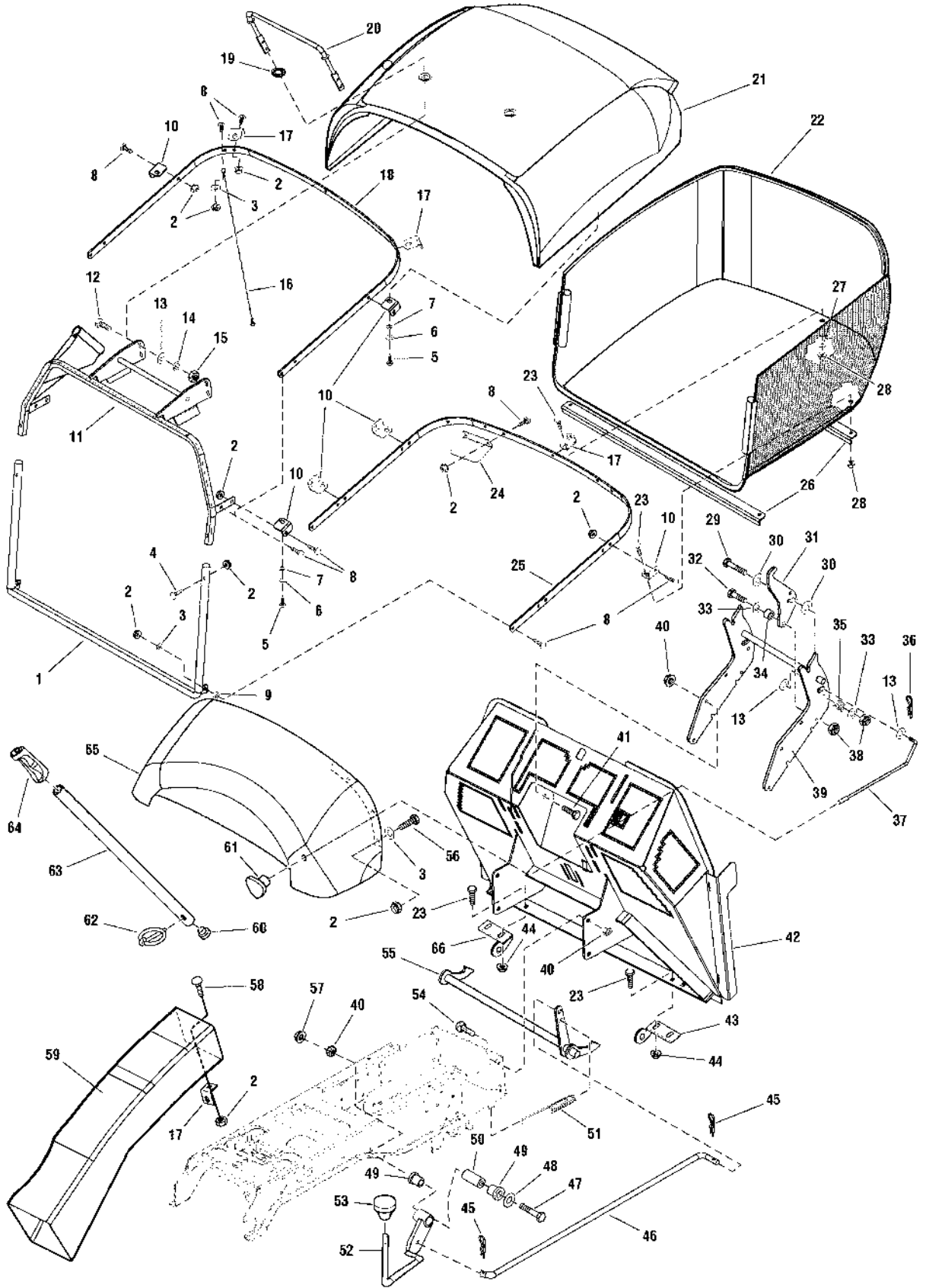
Deflector Group



Deflector Group

Item	Part No	Qty	Description
1	1960074	2	CLIP, Hair Pin
2	1919381	2	WASHER, 5/16
3	1723683	2	PIN, Clevis
4	1724935A	1	DEFLECTOR & PINS ASSEMBLY
5	1720391	1	DECAL, Danger Operating without Catcher
6	1960252	2	CARRIAGE BOLT, 1/4-20 x 5/8 G5
7	1724864A	1	DEFLECTOR, 16GA
8	1960685	2	NUT, Hex KEPS Conical Washer, 1/4-20

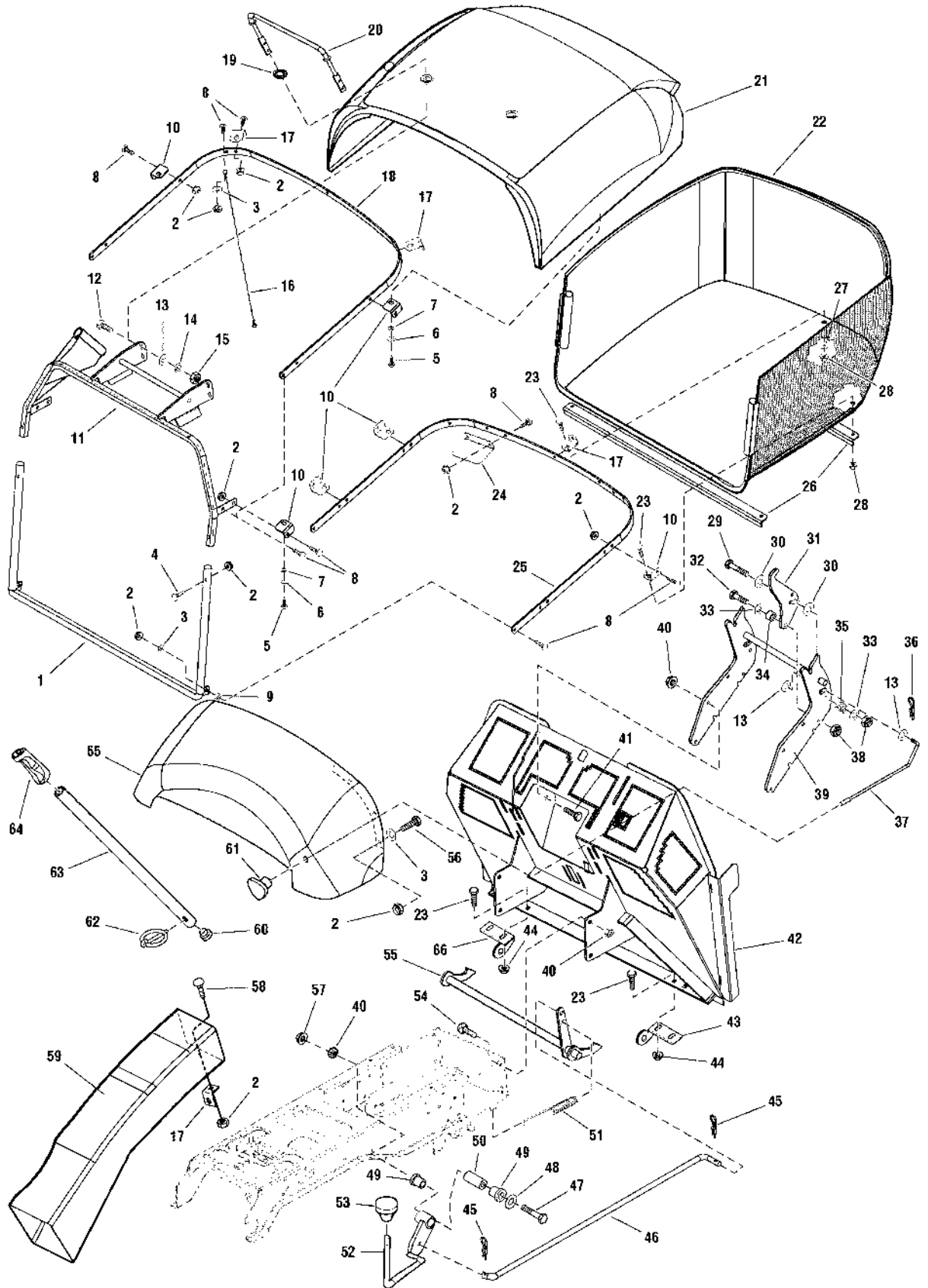
Footnotes:



Hopper Group

Item	Part No	Qty	Description
1	1727486A	1	ROD & TABS ASSEMBLY, Bagger Front
2	1960685	22	NUT, Hex KEPS Conical Washer, 1/4-20
3	1960353	8	WASHER, 1/4
4	1931320	4	CARRIAGE BOLT, 1/4-20 x 1-1/4
5	1921333	6	CAPSCREW, Hex Head, 5/16-18 x 1 G5
6	1917356	6	LOCKWASHER, Spring 5/16
7	1919326	6	WASHER, 5/16
8	1931317	15	CARRIAGE BOLT, 1/4-20 x 3/4 G5
9	1715654	2	SPACER
10	1727674	6	CLIP, L 12GA
11	1727420A	1	FRAME ASSEMBLY, Hopper
12	1924009	4	CAPSCREW, Hex Head, 1/4-20 x 7/8 G5
13	1921319	3	WASHER, 1/4
14	1916964	4	LOCKWASHER, Spring 1/4
15	1916622	4	NUT, Hex 1/4-20
16	1727832	2	CABLE, Bagger, 17.72 Long
17	1727676	4	CLIP, L 12GA
18	1727671A	1	BAR, Bagger Top 7GA
19	1724684	2	WASHER, 5/8
20	1724399A	1	HANDLE, Hopper, 13.59 Long
21	1727931	1	LID & SCREEN ASSEMBLY, Red
22	1727423	1	BAG, Grass Black Cloth
23	1931334	9	CARRIAGE BOLT, 5/16-18 x 7/8 G5
24	1727520A	1	PLATE, Tube Stop Bagger 14GA
25	1727670A	1	BAR, Bagger Bottom 7GA
26	1727675A	2	BRACE, Angle
27	1960044	1	WASHER, 5/16
28	1960684	5	NUT, Hex KEPS Conical Washer, 5/16-18
29	1921978	1	CAPSCREW, Hex Head, 5/16-18 x 2 G5
30	1960044	2	WASHER, 5/16
31	1724651A	1	LATCH, Release 10GA
32	1921333	1	CAPSCREW, Hex Head, 5/16-18 x 1 G5
33	1919326	2	WASHER, 5/16
34	1666697	1	SPACER, Powdered Metal
35	1714263	1	SPRING, Compression
36	1923360	1	PIN, Cotter

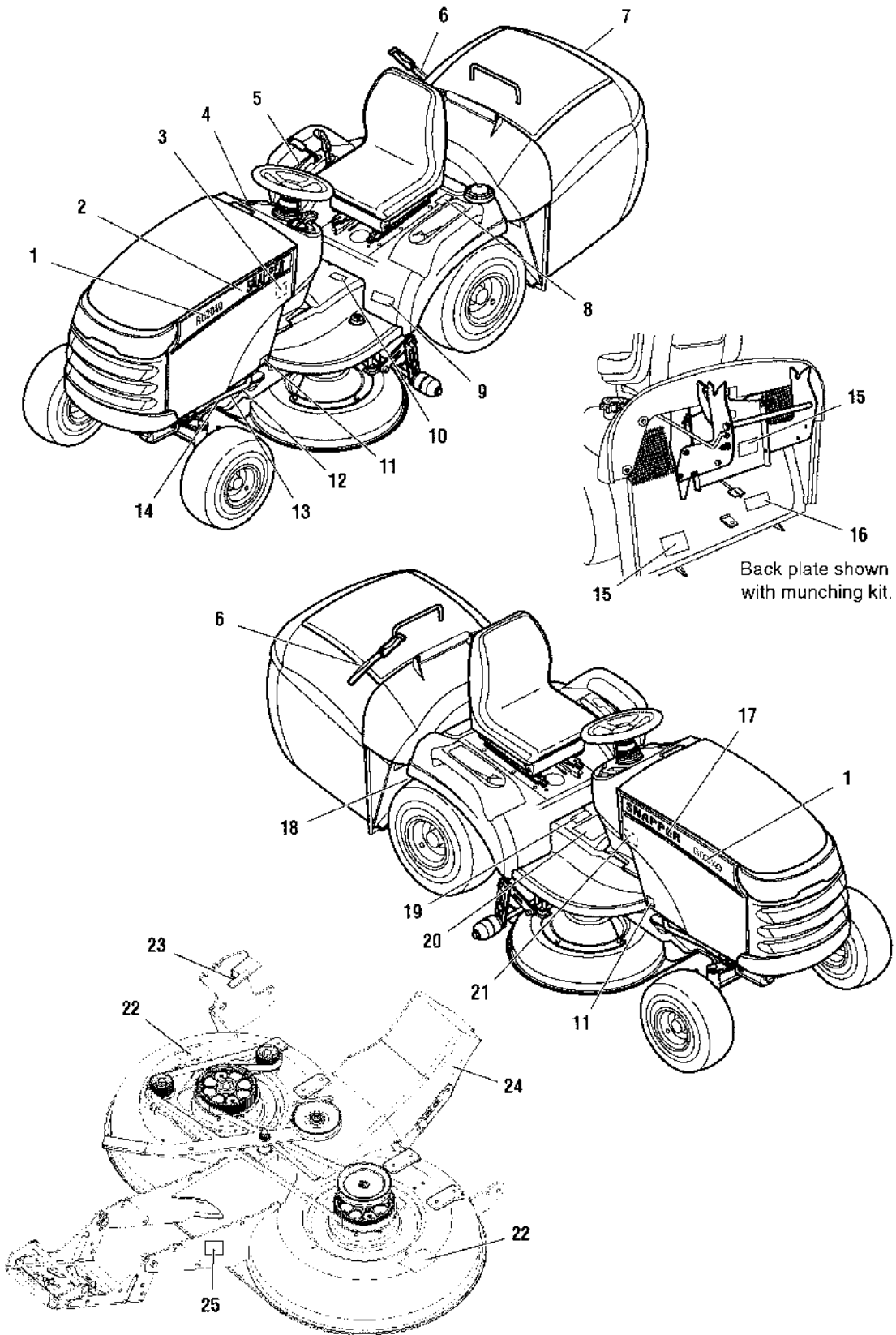
Footnotes:



Hopper Group

Item	Part No	Qty	Description
37	1724652	1	ROD, Foot Pedal Bagger Release, 11.66 Long, 2 Bends
38	1919438	2	NUT, Hex Lock ESNA Light, 5/16-18 NC-3B
39	1727580A	1	PIVOT ASSEMBLY, Latch
40	1928352	5	NUT, Hex Flange Whiz Lock, 3/8-16 Large
41	1921965	4	CAPSCREW, Hex Head, 3/8-16 x 3/4 G5
42	1727419A	1	BACKPLATE ASSEMBLY
43	1723182A	1	BRACKET, Latch LH, 7GA
44	1931277	4	NUT, Hex Flange Whiz Lock, 5/16-18 Small
45	1960074	2	CLIP, Hair Pin, Spring Wire
46	1724458	1	ROD, 25.12 Long, 2 Bends
47	1921973	1	CAPSCREW, Hex Head, 3/8-16 x 2-3/4 G5
48	1924940	1	WASHER, 3/8
49	1676148	2	BUSHING, Powdered Metal
50	1669105A	1	SPACER, 1-1/2 Long, Hardened
51	1718016	1	SPRING, Extension
52	1725036	1	ROD & TUBE ASSEMBLY, Differential Lock Pedal
53	1719940	1	KNOB, Hole 1/2, 1.37 Long
54	1960268	4	CARRIAGE BOLT, 3/8-16 x 1-1/4 G5
55	1724540	1	SHAFT & ARMS ASSEMBLY, Latch
56	1960556	4	SCREW, Pan Head Torx Taptite, 1/4-20 x 3/4
57	1930645	1	NUT, Hex Flange Two Way Lock, 3/8-16 GA
58	1923341	1	CAPSCREW, Hex Head, 1/4-20 x 3/4 G5
59	1727429	1	CHUTE, Discharge Black Poly
60	1724553	1	CAPLUG, Black Poly, 3/4 Hole
61	1713855	1	KNOB, Bagger Release
62	1666969	1	PIN, Klik 5/164
63	1727523A	1	HANDLE, Tube, 39.75 Long
64	1723359	1	GRIP, Hopper Lift Rod
65	1727406	1	TRANSITION, Hopper Black
66	1723181A	1	BRACKET, Latch RH, 7GA

Footnotes:

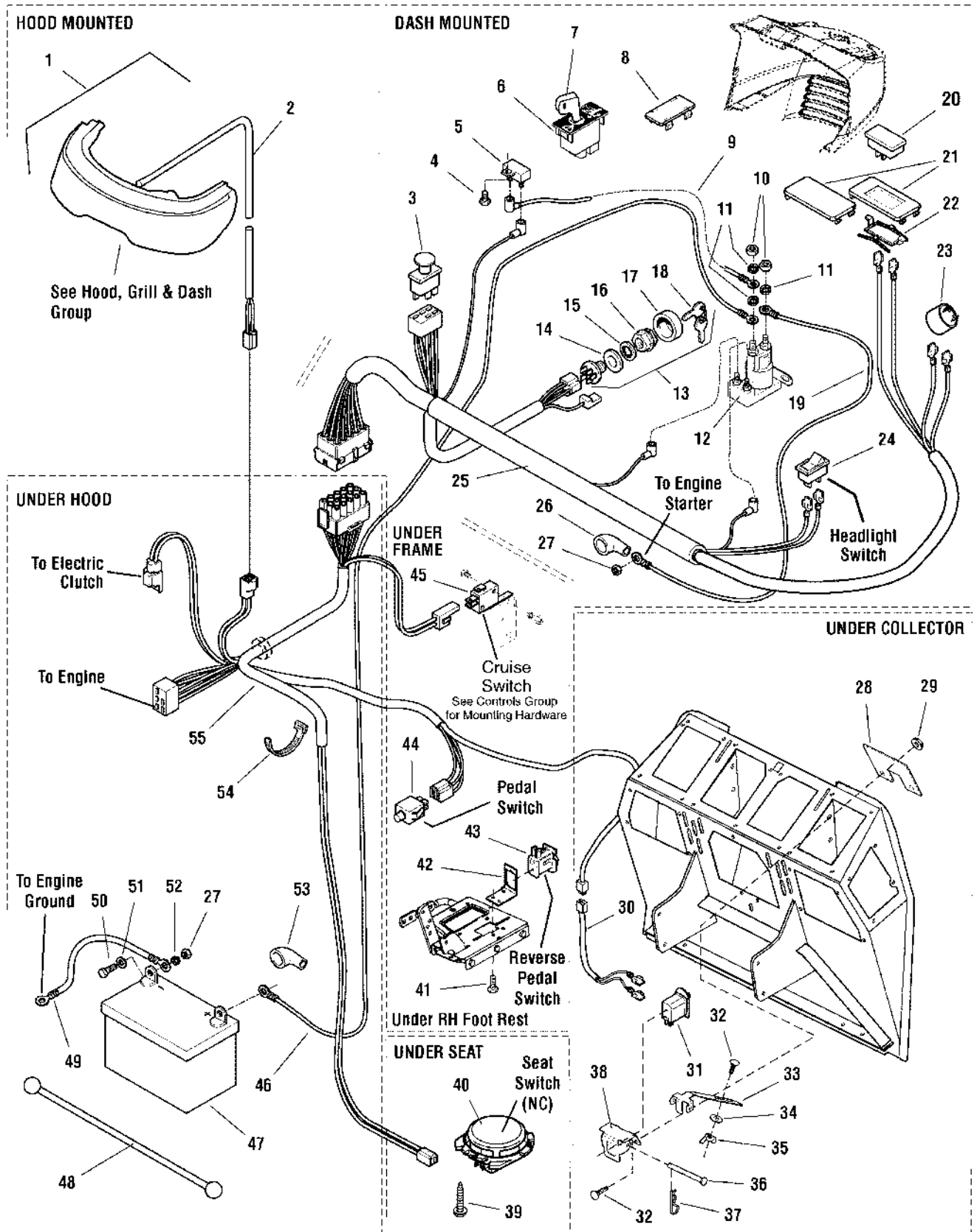


Decals Group

Item	Part No	Qty	Description
1	1735128	2	DECAL, RD2140
1	1725240	2	DECAL, RD1840
2	1725065	1	DECAL, Hood Stripe, Snapper, LH
3	1727713	1	DECAL, Belt & Blade
4	1722806	1	DECAL, Ignition Switch
5	1723713	1	DECAL, Crusie / Lift
6	1723310	1	DECAL, Hopper Lever
7	1725061	1	DECAL, Snapper
8	1724680	1	DECAL, Latch Release
9	1727714	1	DECAL, Baron XL
10	1723317	1	DECAL, Hopper Pedal
11	1723296	2	DECAL, Protective, Clear
12	--	1	* DECAL, Patent
13	--	1	* DECAL, Serial Number, Tractor
14	--	2	* DECAL, Decible Power Mass, Export Only
15	1720391	2	DECAL, Danger Operating W/O Catcher
16	1721141	1	DECAL, Drawbar Max Load
17	1725066	1	DECAL, Hood Stripe, Snapper, RH
18	1723425	1	DECAL, Transmission Release Valve
19	1720390	1	DECAL, Danger Catcher Open
20	1723175	1	DECAL, Warning/Danger Icons, Tunnel
21	1725072	1	DECAL, Touch Up Paint
21	1720454	1	DECAL, Touch Up Paint, Orange, Black, Red
22	1720389	2	DECAL, Danger Rotating Blade, Export Only
23	1723470	1	DECAL, Height Of Cut
24	1721107	1	DECAL, Danger, Discharge Tube
25	--	1	* DECAL, Serial Number, Mower Deck
26	1731419	1	DECAL, Steering Wheel, Snapper
27	1732413	1	DECAL, Belts and Blades

Footnotes:

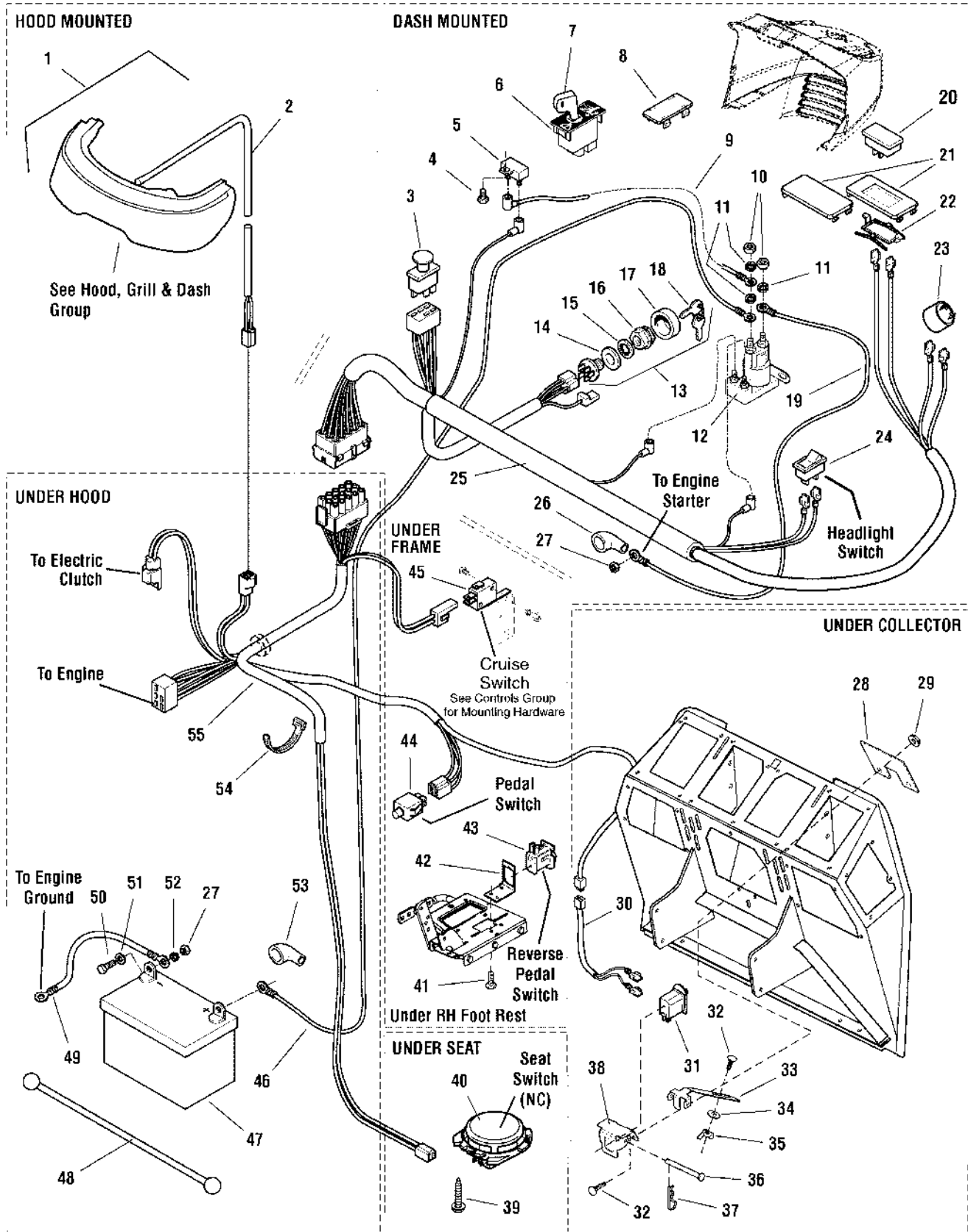
Note: * Not a Service Part



Electrical Group

Item	Part No	Qty	Description
1	1721810	1	HEADLIGHT ASSEMBLY, 4 Bulb
2	1722669	1	HARNESS, Headlight
3	1722887	1	SWITCH, PTO Push/Pull w/Symbols
4	1921959	1	CAPSCREW, Hex Head, 1/4 x 5/8
5	1722739	1	SOLENOID
6	1726556	1	MODULE, RMO (Includes Ref. No. 7)
7	1726557	1	KEY, RMO Module Plastic
7	1727185	1	KEY, w/Hang Tag for RMO Module
8	1722611	1	PLUG, Hole Black
9	1665237	1	WIRE, 12GA 8 Long Red
10	2920426	3	LOCKWASHER, External Tooth 5/16
11	1665238	1	BREAKER, Circuit 12VOLT 20AMPS w/Tab
12	2916622	3	NUT, Hex, 1/4-20 NC-2B
13	1716061	1	SWITCH ASSEMBLY, Ingition, 6 Pin Indak (Includes Ref. Nos. 1)
14	2101025	1	WASHER, 5/8
15	1960547	1	LOCKWASHER, Internal Tooth, 5/8
16	1717549	1	NUT, Hex Flange, 5/8-32 Ignition Switch
17	1717550	1	COVER, Ignition Switch, Black
18	1717163	1	KEYS, Ignition Set of 2
19	1721830	1	CABLE, # 6 x 25 Long Red, 2 Ring Terminals
20	1725523	1	METER, Hour Digital w/Oil & Lube Alarms
21	1725524	1	PLUG, Dash, Hour Meter
21	1725698	1	PLUG, Dash, No Hour Meter Hole
22	1725835	1	CLIP, Hour Meter, Holds In Dash
23	1720117	1	BUZZER, Pulse, Grass Bag Full
24	1716951	1	SWITCH, Headlights, 2 Terminal
25	1726890	1	HARNESS, Wiring Upper
26	1677296	1	BOOT, Insulator, Battery Terminal
27	920263	2	NUT, Hex, 5/16-24 NF-2B
28	1727776A	1	DEFLECTOR, Switch 14GA
29	1960685	2	NUT, Hex KEPS Conical Washer, 1/4-20
30	1723954	1	HARNESS, Wiring Rear
31	1720411	1	SWITCH, Push Button w/Boot, Bagger
32	1960252	3	CARRIAGE BOLT, 1/4-20 x 5/8 G5
33	1727428	1	PIVOT, Actuator 14GA, E-Coat
34	1960103	1	WASHER, 3/8
35	960293	1	NUT, Wing Lock, 1/4-20

Footnotes:



Electrical Group

Item	Part No	Qty	Description
36	1960607	1	PIN, Clevis
37	1960221	1	CLIP, Hair Pin
38	1727427	1	SUPPORT, Actuator 14GA, E-Coat
39	1960536	2	SCREW, Hex Washer Head Plastite, 1/4 x 1/2
40	1716368	1	SWITCH, Operator Presents, Seat NC
41	1929000	1	SCREW, Hex Washer Head Taptite, 1/4-20 x 3/8
42	1726810A	1	BRACKET, Switch Mounting, RMO
43	1704379	2	SWITCH, Push Button, Reverse Pedal
44	1732006	1	SWITCH, Push Button, Foot Pedal NO/NC was 1723507
45	1717050	1	SWITCH, Push Button, Cruise Control NO/NC Gray
46	1603618	1	CABLE, # 6 x 9 Long, 2 Ring Terminals
47	1685215	1	BATTERY, 12VOLT 6CELL 230AMPS CCA
48	1722009	1	STRAP, Battery 14 Long, Black Rubber
49	1713163	1	CABLE, # 6 x 26 Long Black, 2 Ring Terminals
50	2923341	2	CAPSCREW, Hex Head, 1/4-20 x 3/4 G5
51	2921319	2	WASHER, 1/4
52	2916964	2	LOCKWASHER, Spring 1/4
53	1713535	1	BOOT, Insulator Red, Cable Terminal
54	2925094	4	TIE, Self Locking, 7-5/16
55	1726889	1	HARNESS, Wiring Lower

Footnotes:

Parts Manual for

SNAPPER®

***YARD TRACTOR ELECTRIC CLUTCH
HYDRO DRIVE RMO "RD"
SERIES 0***

IT IS THE POLICY OF BRIGGS & STRATTON CORP TO IMPROVE ITS
PRODUCTS WHENEVER IT IS POSSIBLE AND PRACTICAL TO DO SO.
WE RESERVE THE RIGHT TO MAKE CHANGES OR ADD
IMPROVEMENTS AT ANY TIME WITHOUT INCURRING ANY
OBLIGATION TO MAKE SUCH CHANGES ON PRODUCTS

Briggs & Stratton Yard Power Products Group

535 Macon Road
McDonough, GA, 30253 U.S.A.
800-935-2967

www.snapper.com

Copyright © 2009 Briggs & Stratton Corporation
Milwaukee, WI USA. All Rights Reserved

**Manual No. 7006457
Revision: B 12/1/2009**