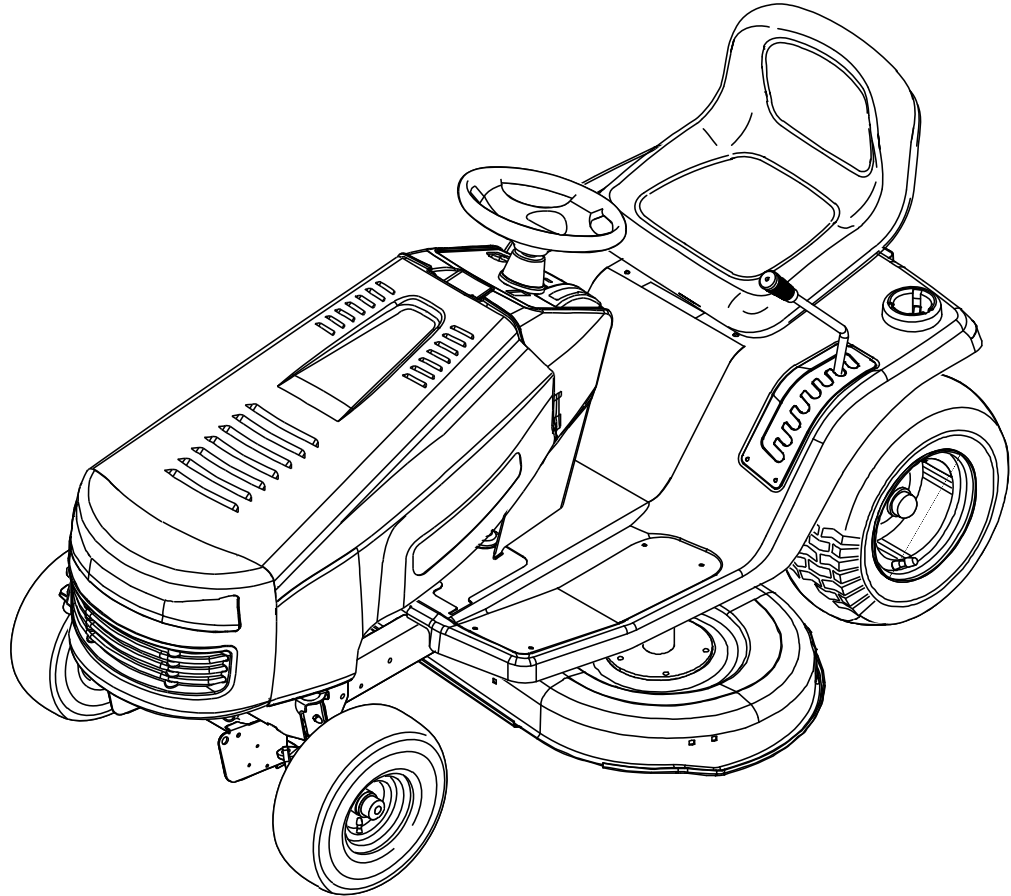




Parts Manual



EMT Series

Lawn Tractors & Mower Decks

12.5HP Models

Mfg. No.	Description
2690936	EMT125380, 12.5HP 38" Murray Side Discharge Lawn Tractor (2011)
2690988	EMT125380, 12.5HP 38" Murray Side Discharge Lawn Tractor, FR (2011)

15.5HP Models

Mfg. No.	Description
2690986	EMT155420H, 15.5HP 42" Murray Side Discharge Lawn Tractor (2011)
2690989	EMT155420H, 15.5HP 42" Murray Rear Discharge Lawn Tractor, FR (2011)

Manual Part No. 1752788

Revision B

Rev. Date: 2/22/2012

Not for
Reproduction

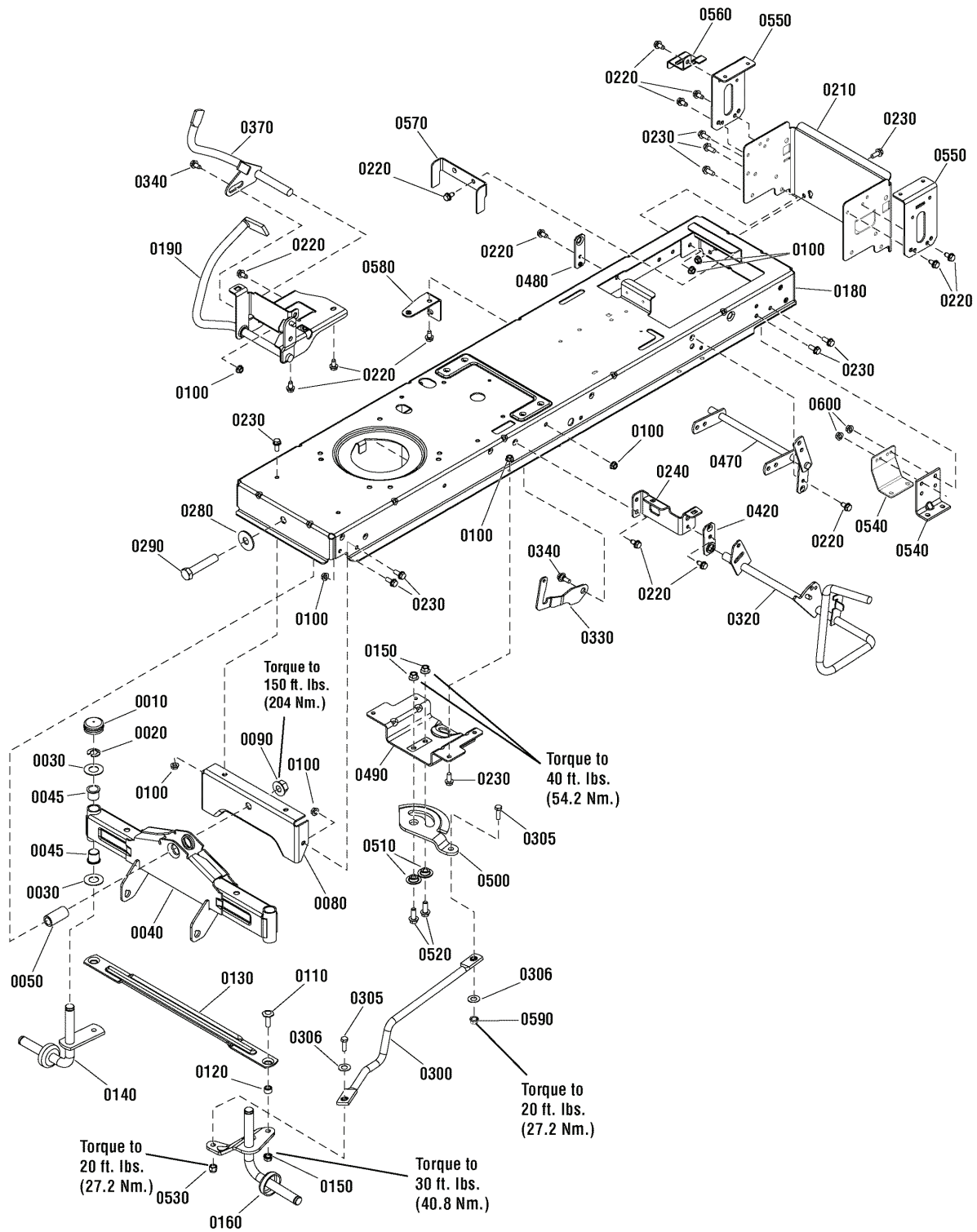
PRODUCT COMPONENTS	PAGES
Frame Group	4
Steering Group	8
Engine Group - 12.5HP & 15.5HP	10
Transmission Group - CVT	12
Transmission Group - Tuff Torq	14
Controls Group	16
Electrical Group	18
Hood Grille & Dash Group	20
Seat Deck Group	22
Lift Group	24
Wheels & Tires Group	26
Decals Group	28
French Guard Group	30
38" Mower Deck - Housing, Arbors & Blades Group	32
38" Mower Deck - Clutch Group	34
38" Mower Deck - Height Adjust Group	36
42" Mower Deck - Clutch Group	38
42" Mower Deck - Housing, Arbors & Blades Group	40
42" Mower Deck - Height Adjust & Roller Group	42
Torque Specification Chart	Inside Back Cover

Not for
 Reproduction

Frame Group

NOTE: Unless noted otherwise,
use the standard hardware torque
specification chart.

2989593_2989594



The above parts group applies to the following Mfg. Nos.:

- 2690936 - EMT125380
- 2690986 - EMT155420H
- 2690988 - EMT125380
- 2690989 - EMT155420H

Frame Group

REF NO	PART NO.	QTY.	DESCRIPTION
0010	094618MA	2	HUB CAP
0020	0011X3MA	2	E-RING
0030	17X195MA	4	WASHER, Flat
0040	1751899YP	1	AXLE ASSEMBLY
0045	2176440SM	4	BUSHING, Nylon
0050	1738193YP	1	SPACER, 5/8 ID x 1 OD x 2"
0080	1727902SM	1	PLATE, Axle Support
0090	2860646SM	1	NUT, Hex Flange, Two Way Lock, 5/8-11
0100	1931277SM	18	NUT, Hex Flange, Whiz Lock, 5/16-18
0110	1960032SM	2	CAPSCREW, Hex Head, 3/8-16 x 1-1/4
0120	1611705SM	2	SPACER, 3/8 ID x 5/8 OD x 5/16"
0130	1751964YP	1	TIE ROD
0140	1727872ASM	1	WHEEL SPINDLE ASSEMBLY, RH
0150	1930645SM	4	NUT, Hex Flange, Two Way Lock, 3/8-16
0160	1751922YP	1	ARM, Steering, LH
0180	1750275YP	1	FRAME
0190	1750606YP	1	PEDAL, Forward
0210	1750989YP	1	SUPPORT, Frame, Rear
0220	1930601SM	15	CAPSCREW, Hex Washer Head, Taptite, 5/16-18 x 5/8 (Qty 12 used on 15.5HP)
0230	1930591SM	20	CAPSCREW, Hex Flange, Whiz Lock, 5/16-18 x 3/4
0240	1750795YP	1	SUPPORT, Foot Rest, LH
0280	1960035SM	1	WASHER, 5/8
0290	2860744SM	1	CAPSCREW, Hex Head, 5/8-11 x 3-1/4, G5
0300	1738051YP	1	DRAG LINK ASSEMBLY
0305	1921977SM	2	CAPSCREW, Hex Head, 5/16-18 x 1-1/4, G5
0306	1924874SM	2	WASHER, 5/16
0320	1750608YP	1	BRAKE PEDAL
0330	1735595YP	1	LATCH, Brake Lock
0340	1752802YP	2	BOLT, Shoulder, 5/16-18
0370	1751551YP	1	PEDAL ASSEMBLY, Reverse
0420	1727911ASM	1	PLATE, Bearing
0470	1750767YP	1	LIFT SHAFT ASSEMBLY
0480	1750798YP	1	PLATE, Bearing
0490	1727940SM	1	BRACKET, Sector Support
0500	1751110YP	1	GEAR, Steering
0510	1728122SM	2	SPACER, Sector Gear
0520	1934654SM	2	CAPSCREW, Hex Flange, Whiz Lock, 3/8-16 x 1
0530	1930645SM	2	NUT, Hex Flange, Two Way Lock, 3/8-16
0540	1739792YP	2	SUPPORT, Transmission, General Transmission (Used on 12.5HP)
0540	1727903SM	1	SUPPORT, Transmission, Hydro Gear (Used on 15.5HP)
0550	1752218YP	2	SUPPORT, Seat Deck
0560	1751160YP	1	SUPPORT, MPTO Switch
0570	1750169YP	1	GUIDE, Belt (Used on 12.5HP)
0580	1750784YP	1	BRACKET, Cable
0590	1935048SM	2	NUT, Hex Flange, Two Way Lock, 5/16-18

Footnotes

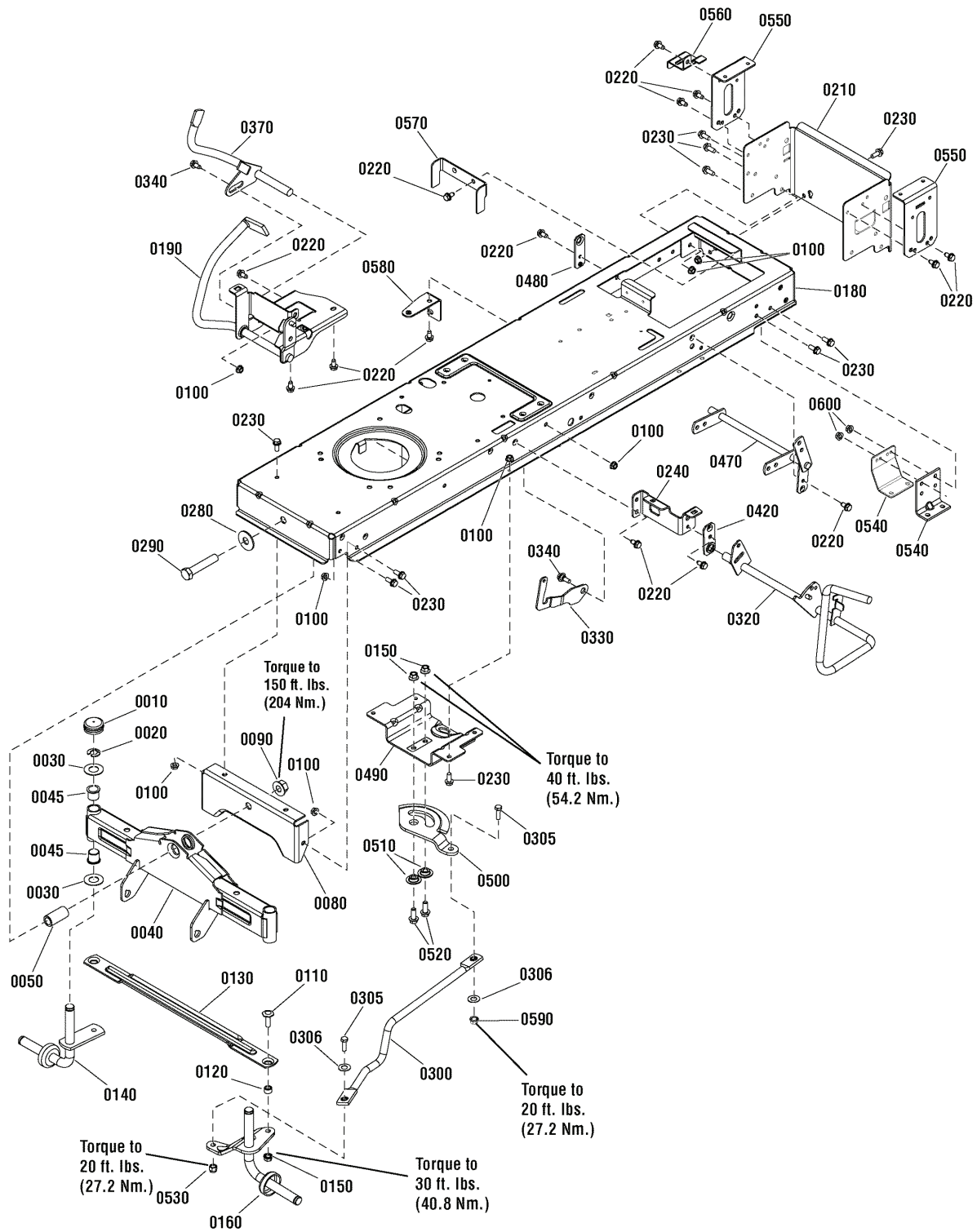
The above parts group applies to the following Mfg. Nos.:

2690936 - EMT125380
2690986 - EMT155420H
2690988 - EMT125380
2690989 - EMT155420H

Frame Group

NOTE: Unless noted otherwise,
use the standard hardware torque
specification chart.

2989593_2989594



The above parts group applies to the following Mfg. Nos.:

- 2690936 - EMT125380
- 2690986 - EMT155420H
- 2690988 - EMT125380
- 2690989 - EMT155420H

Frame Group

REF NO	PART NO.	QTY.	DESCRIPTION
0600	015X88MA	4	NUT, Centerlock, 5/16-18

Not for
Reproduction

Footnotes

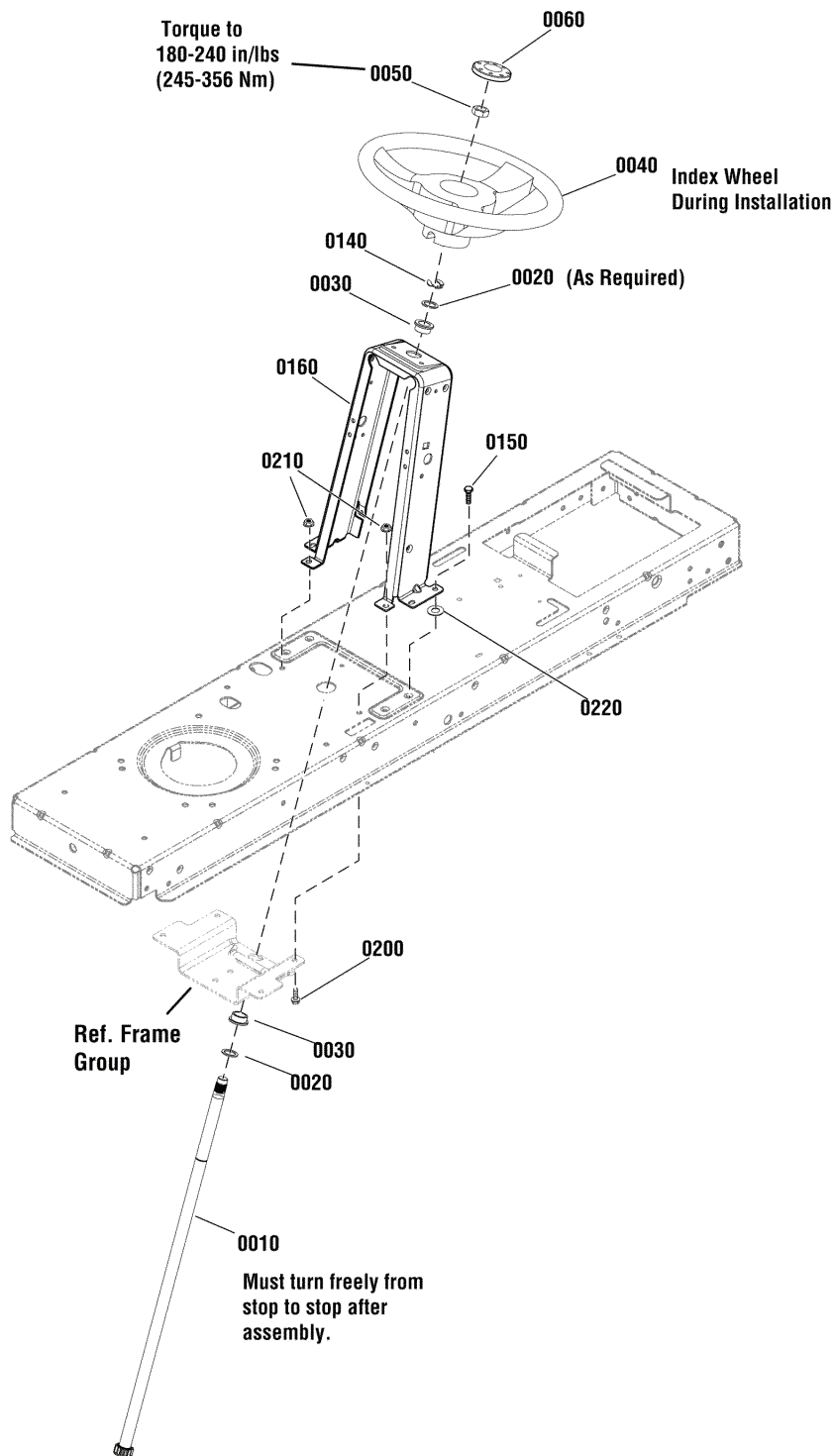
The above parts group applies to the following Mfg. Nos.:

2690936 - EMT125380
2690986 - EMT155420H
2690988 - EMT125380
2690989 - EMT155420H

Steering Group

NOTE: Unless noted otherwise, use the standard hardware torque specification chart.

2989474



The above parts group applies to the following Mfg. Nos.:

- 2690936 - EMT125380
- 2690986 - EMT155420H
- 2690988 - EMT125380
- 2690989 - EMT155420H

Steering Group

REF NO	PART NO.	QTY.	DESCRIPTION
0010	1750991YP	1	SHAFT, Steering
0020	1960114SM	2	WASHER, 3/4
0030	1729665SM	2	BUSHING, Steering
0040	1728069SM	1	STEERING WHEEL
0050	1960576SM	1	NUT, Hex Lock, ESNA LIGHT, 5/8-18
0060	1725024SM	1	CAP, Steering Wheel
0140	1611710SM	1	RING, Klipring, 3/4
0150	1930601SM	4	CAPSCREW, Hex Washer Head, Taptite, 5/16-18 x 5/8
0160	1750973BZYP	1	TOWER, Steering
0200	1930591SM	2	CAPSCREW, Hex Flange, Whiz Lock, 5/16-18 x 3/4
0210	1931277SM	2	NUT, Hex Flange, Whiz Lock, 5/16-18
0220	1919326SM	2	WASHER, 5/16

Not for
Reproduction

Footnotes

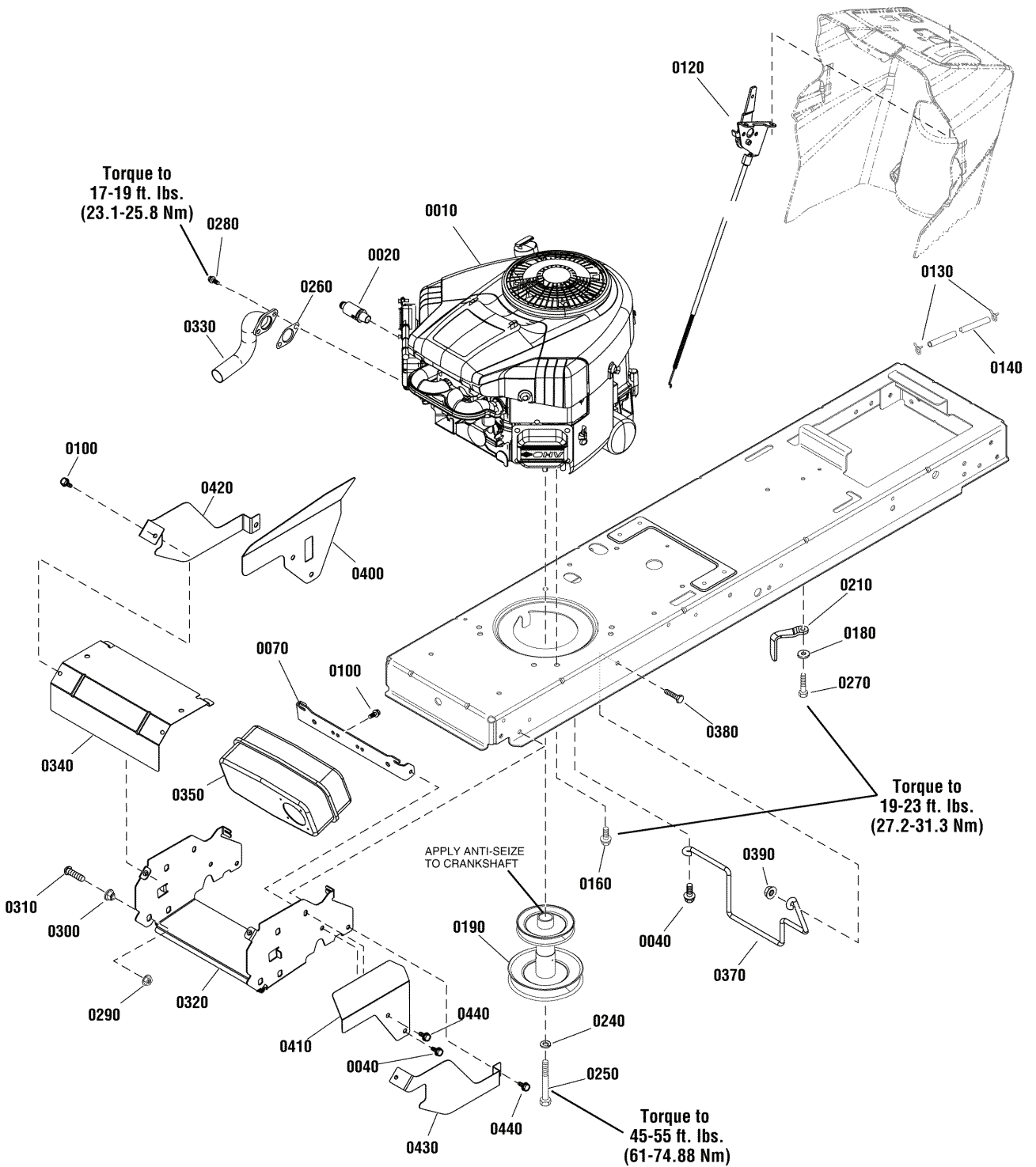
The above parts group applies to the following Mfg. Nos.:

2690936 - EMT125380
2690986 - EMT155420H
2690988 - EMT125380
2690989 - EMT155420H

Engine Group - 12.5HP & 15.5HP

NOTE: Unless noted otherwise,
use the standard hardware torque
specification chart.

2989478



The above parts group applies to the following Mfg. Nos.:

- 2690936 - EMT125380
- 2690986 - EMT155420H
- 2690988 - EMT125380
- 2690989 - EMT155420H

Engine Group - 12.5HP & 15.5HP

REF NO	PART NO.	QTY.	DESCRIPTION
0010	219807-0110-B1	1	* ENGINE, 12.5HP, B&S Intek Single
0010	31A607-0160-B1	1	* ENGINE, 15.5HP, B&S Intek Single
0020	1750159YP	1	VALVE, Drain
0040	1930601SM	3	CAPSCREW, Hex Washer Head, Taptite, 5/16-18 x 5/8
0070	1727976SM	1	SUPPORT, Muffler
0100	1925003SM	4	CAPSCREW, Hex Washer Head, Taptite, 1/4-20 x 1/2
0120	1751102YP	1	CABLE, Throttle
0130	791850	2	CLAMP, Hose Band
0140	791745	1	HOSE, Fuel
0180	1924940SM	1	WASHER, 3/8
0190	1738430YP	1	ENGINE PULLEY
0210	1737421AYP	1	GUIDE, Belt, Long
0240	019X35MA	1	WASHER, Star
0250	01X140MA	1	BOLT, Hex, 7/16-20 x 1-1/2
0260	1731214SM	1	GASKET, Exhaust
0270	0025X7MA	1	BOLT, Engine, 3/8-16 x 1-1/4 (Qty 5 used on 15.5HP)
0280	690341	2	CAPSCREW, Hex Lock Washer, SEMS, 5/16-18 x 7/8
0290	1931277SM	2	NUT, Hex Flange, Whiz Lock, 5/16-18
0300	1728086SM	2	PIVOT, Hood
0310	1931335SM	2	BOLT, Carriage, Short Neck, 5/16-18 x 1, G5
0320	1738265AYP	1	SUPPORT, Muffler & Hood Pivot
0330	1751464YP	1	PIPE, Exhaust (Used on 12.5HP)
0330	1728959SM	1	PIPE, Exhaust (Used on 15.5HP)
0340	1727996SM	1	HEAT SHIELD
0350	1727993SM	1	MUFFLER
0370	1738433YP	1	BELT GUIDE, Mower
0380	1921333SM	1	CAPSCREW, Hex Head, 5/16-18 x 1, G5
0390	015X88MA	1	NUT, Hex Flange, Center Lock, 5/16-18
0400	1752460BMYP	1	GUARD, Exhaust, RH
0410	1752476BMYP	1	GUARD, Exhaust, LH
0420	1752477BMYP	1	STRAP, Exhaust, RH
0430	1752478BMYP	1	STRAP, Exhaust, LH
0440	26X249MA	4	CAPSCREW, Hex Head, 5/16-18 x 3/4

Footnotes

Note* See your local Briggs & Stratton distributor for parts and service.

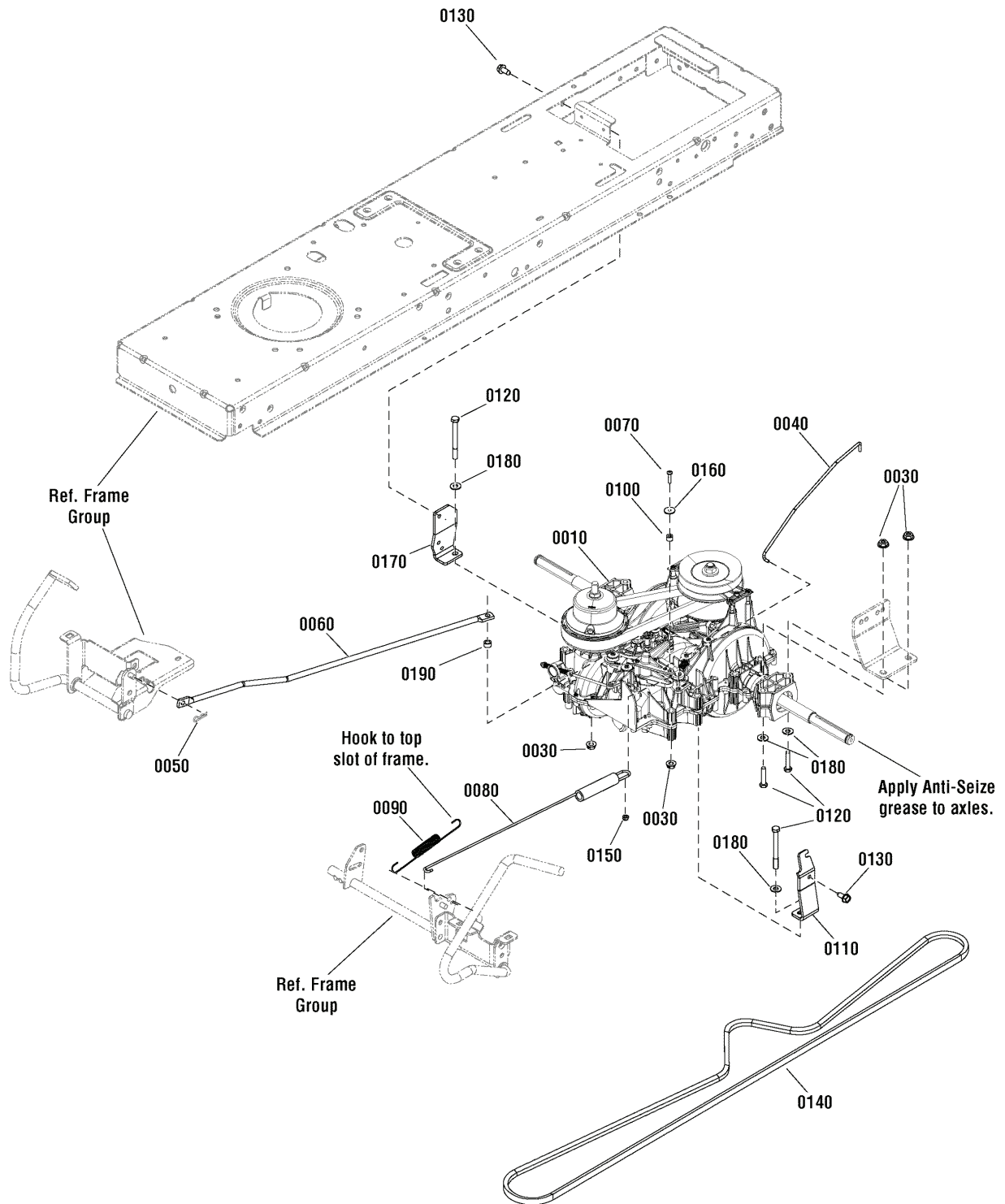
The above parts group applies to the following Mfg. Nos.:

2690936 - EMT125380
2690986 - EMT155420H
2690988 - EMT125380
2690989 - EMT155420H

Transmission Group - CVT

NOTE: Unless noted otherwise,
use the standard hardware torque
specification chart.

2989480



The above parts group applies to the following Mfg. Nos.:

2690936 - EMT125380

2690988 - EMT125380

Transmission Group - CVT

REF NO	PART NO.	QTY.	DESCRIPTION
0010	1750227YP	1	TRANSMISSION, GENERAL - CVT
0030	015X88MA	6	NUT, Hex Flange, Center Lock, 5/16-18
0040	1750276YP	1	ROD, Transmission Bypass
0050	1722460SM	1	PIN, Quick
0060	1750601YP	1	ROD, Speed Control
0070	1960683SM	1	SCREW, Pan Head Torx #10-24 x 7/8
0080	1750168YP	1	SPRING, Extension
0090	1721995SM	1	SPRING, Extension
0100	1750171YP	1	SPACER, .20 ID x .44 OD x 5/16"
0110	1739791BMYP	1	STRAP, Torque, LH
0120	1960590SM	6	CAPSCREW, Hex Head, 5/16-18 x 3, G5
0130	1664847SM	2	CAPSCREW, Hex Washer Head, Taptite, 5/16-18 x 3/4
0140	7024614YP	1	BELT, 38" DECK
0150	1933896SM	1	NUT, Hex Lock, Nylon Insert, 10-24
0160	1960096SM	1	WASHER, 3/16
0170	1739790BMYP	1	STRAP, Torque, RH
0180	1919326SM	6	WASHER, 5/16
0190	1751769YP	1	SPACER, 5/16 ID x 1/2 OD x 5/16"

Not for
Reproduction

Footnotes

The above parts group applies to the following Mfg. Nos.:

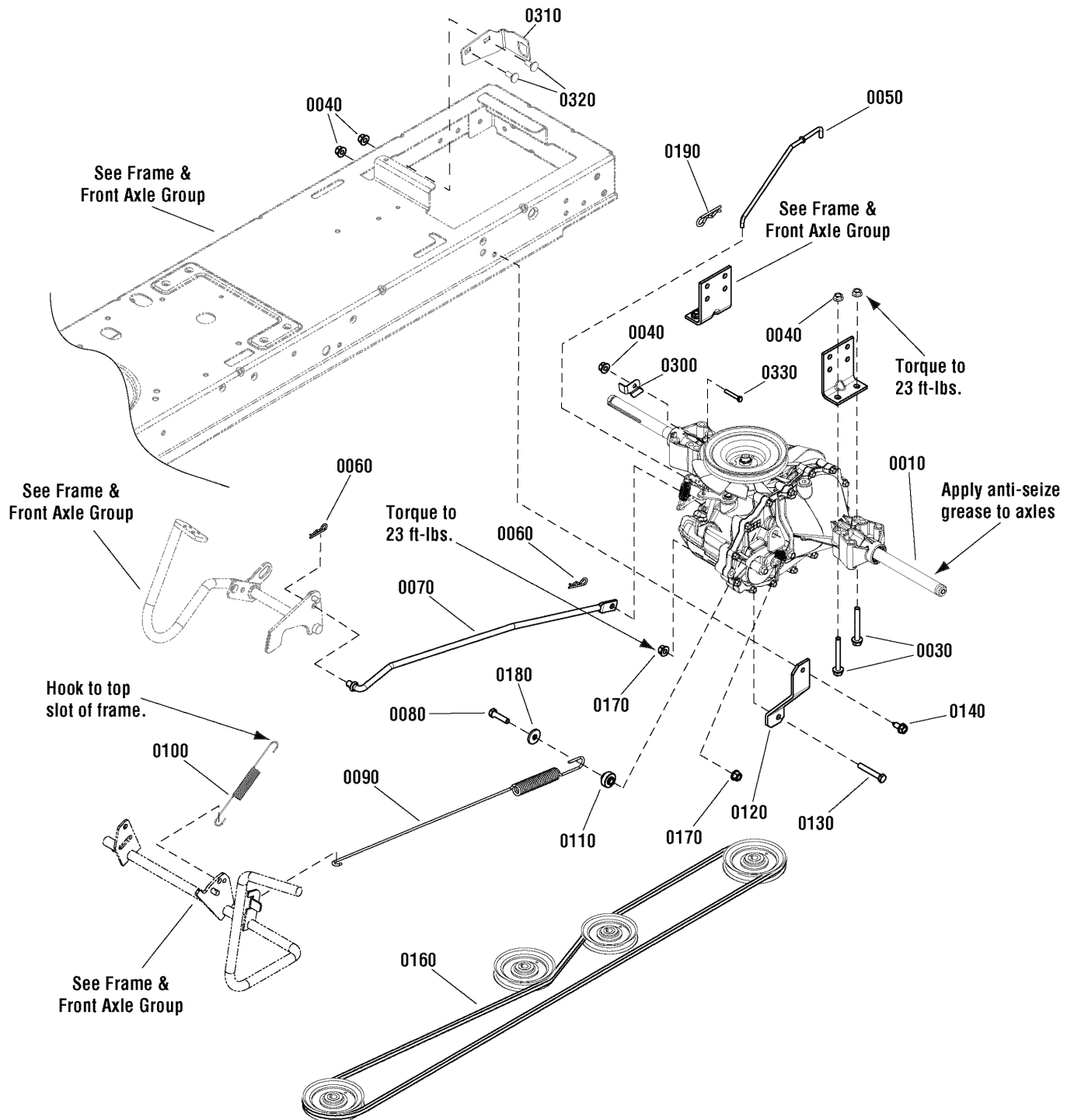
2690936 - EMT125380

2690988 - EMT125380

Transmission Group - Tuff Torq

NOTE: Unless noted otherwise, use the standard hardware torque specification chart.

2989571



The above parts group applies to the following Mfg. Nos.:

2690986 - EMT155420H

2690989 - EMT155420H

Transmission Group - Tuff Torq

REF NO	PART NO.	QTY.	DESCRIPTION
0010	1751792YP	1	TRANSMISSION, Hydro-Gear, T2
0030	1960586SM	4	CAPSCREW, Hex Flange, Whiz Lock, 5/16-18 x 2-1/2
0040	1931277SM	7	NUT, Hex Flange, Whiz Lock, 5/16-18
0050	1736716YP	1	ROD, Free Wheel
0060	1722460SM	2	PIN, Quick
0070	1751733YP	1	ROD, Speed Control
0080	1921977SM	1	CAPSCREW, Hex Head, 5/16-18 x 1-1/4, G5
0090	1736409YP	1	SPRING, Extension
0100	1721995SM	1	SPRING, Extension, 5/8 OD x 6-5/8 Long
0110	1736854YP	1	SPACER
0120	1736410AYP	1	STRAP, Torque
0130	1921978SM	1	CAPSCREW, Hex Head, 5/16-18 x 2, G5
0140	1664847SM	1	SCREW, Hex Washer Head, Taptite, 5/16-18 x 3/4
0160	1737441YP	1	V-BELT, Drive Belt, HA, 88.46
0170	1960686SM	2	NUT, Hex Flange, ESNA, 5/16-18
0180	1919381SM	1	WASHER, 5/16
0190	1960221SM	1	CLIP, Hairpin
0300	1751901BMYP	1	BRACKET, Switch Actuator
0310	1751900BMYP	1	SUPPORT, Switch
0320	1931333SM	2	BOLT, Carriage, Short Neck, 5/16-18 x 3/4, G5
0330	1921332SM	1	CAPSCREW, Hex Head, 5/16-18 x 3/4, G5

Not for
Reproduction

Footnotes

The above parts group applies to the following Mfg. Nos.:

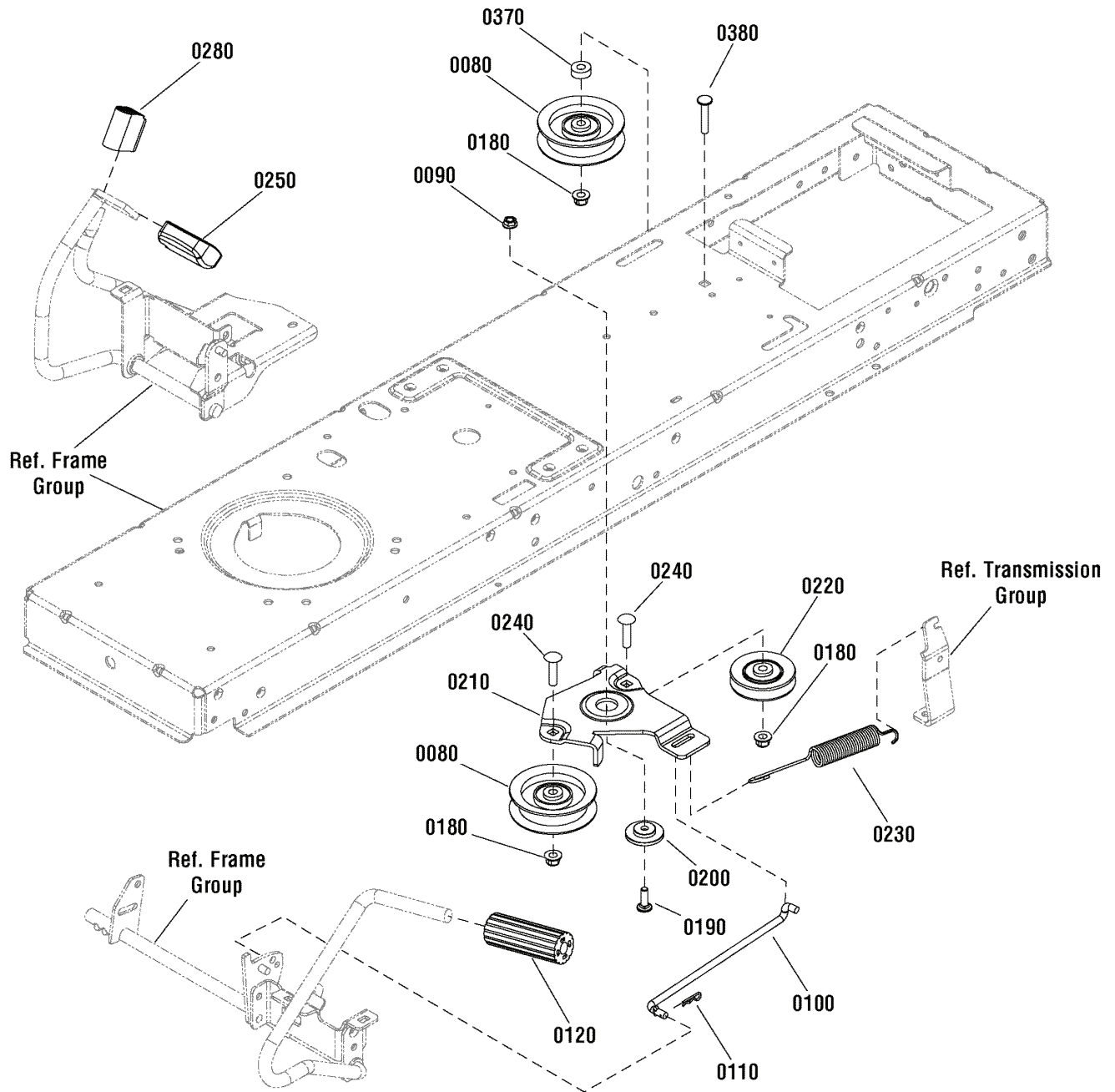
2690986 - EMT155420H

2690989 - EMT155420H

Controls Group

NOTE: Unless noted otherwise,
use the standard hardware torque
specification chart.

2989473



The above parts group applies to the following Mfg. Nos.:

2690936 - EMT125380
2690986 - EMT155420H
2690988 - EMT125380
2690989 - EMT155420H

Controls Group

REF NO	PART NO.	QTY.	DESCRIPTION
0080	1728000SM	2	PULLEY, Idler (Qty 1 used on 15.5HP)
0090	1931277SM	1	NUT, Hex Flange, Whiz Lock, 5/16-18
0100	1750170YP	1	ROD, Brake Return (Used on 12.5HP)
0100	1727254SM	1	ROD, Brake Return (Used on 15.5HP)
0110	1722460SM	1	PIN, Quick
0120	1727261SM	1	PEDAL, Brake
0180	1960687SM	3	NUT, Hex Flange, ESNA, 3/8-16 (Qty 2 used on 15.5HP)
0190	1931335SM	1	BOLT, Carriage, Short Neck, 5/16-18 x 1, G5
0200	1727935SM	1	SPACER, Pivot
0210	1727894SM	1	BRACKET, Idler
0220	1728001SM	1	PULLEY, 3 OD, 3/8 ID
0230	1729620SM	2	SPRING, Extension
0240	1931352SM	1	BOLT, Carriage, Short Neck, 3/8-16 x 1-1/2, G5
0250	1721675SM	1	PAD, Foot Pedal, Forward
0280	1727259SM	1	PAD, Foot Pedal, Reverse
0370	1667811SM	1	SPACER (Used on 12.5HP)
0380	1931353SM	1	BOLT, Carriage, Short Neck, 3/8-16 x 1-3/4, G5 (Used on 12.5HP)

Not for
Reproduction

Footnotes

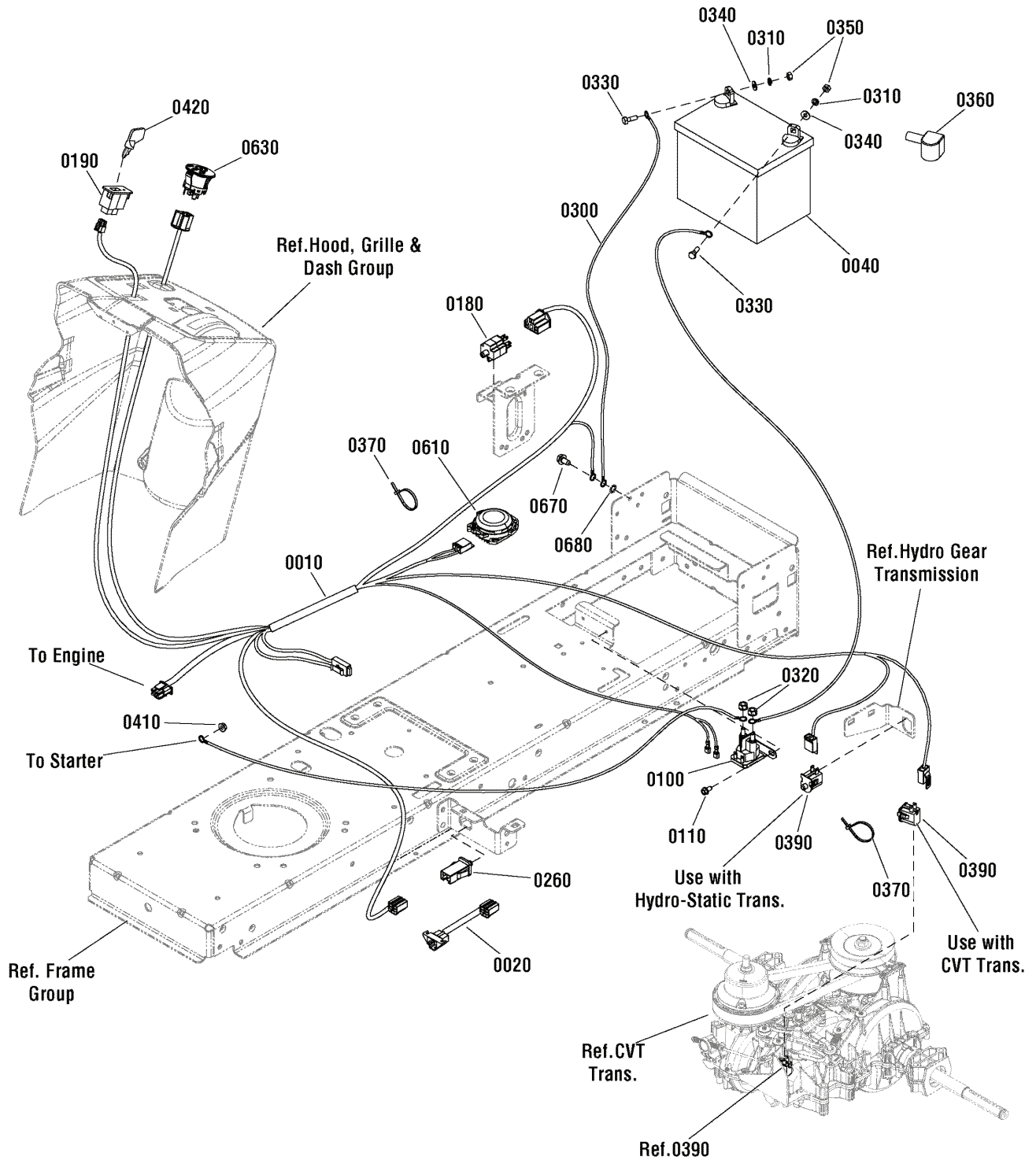
The above parts group applies to the following Mfg. Nos.:

2690936 - EMT125380
2690986 - EMT155420H
2690988 - EMT125380
2690989 - EMT155420H

Electrical Group

NOTE: Unless noted otherwise, use the standard hardware torque specification chart.

2989879



The above parts group applies to the following Mfg. Nos.:

- 2690936 - EMT125380
- 2690986 - EMT155420H
- 2690988 - EMT125380
- 2690989 - EMT155420H

Electrical Group

REF NO	PART NO.	QTY.	DESCRIPTION
0010	1751101YP	1	WIRING HARNESS
0020	1734025SM	1	WIRES & CONNECTORS ASSEMBLY, Jumper
0040	-----	1	* BATTERY, 7U1L, 12V, 195CCA
0100	1728963SM	1	SOLENOID
0110	1925003SM	2	CAPSCREW, Hex Washer Head, Taptite, 1/4-20 x 1/2
0180	1751449YP	1	SWITCH, Plunger, Snap In (NO/NC/NC)
0190	1726556SM	1	SWITCH, Reverse Mow Module
0260	7022886YP	1	SWITCH, Push Button, (NO/NC)
0300	1752063YP	1	CABLE, Electric, #8 x 14"
0310	2816964SM	2	LOCKWASHER, 1/4
0320	2860750SM	2	NUT, Hex Lock, KEPS, 5/16-24
0330	2823341SM	2	CAPSCREW, Hex Head, 1/4-20 x 3/4, G5
0340	2821319SM	2	WASHER, 1/4
0350	2816622SM	2	NUT, Hex, 1/4-20
0360	1677296SM	1	BOOT, Insulator, Battery Terminal
0370	1701011SM	2	TIE, Self Lock
0390	1732004SM	1	SWITCH, Push Button, (NO) (Used on 15.5HP)
0410	1960294SM	1	NUT, Hex Flange, Whiz Lock, 1/4-20
0420	1726557SM	1	KEY, No Mow
0610	1718981SM	1	SWITCH, Operator Present
0630	1737959YP	1	SWITCH, Key
0670	1930601SM	1	CAPSCREW, Hex Washer Head, Taptite, 5/16-18 x 5/8
0680	2820426SM	1	LOCKWASHER, External Tooth, 5/16
0700	1751523YP	1	SWITCH, Snap in Key

Not for
Reproduction

Footnotes

Note* See your local Briggs & Stratton distributor for parts and service.

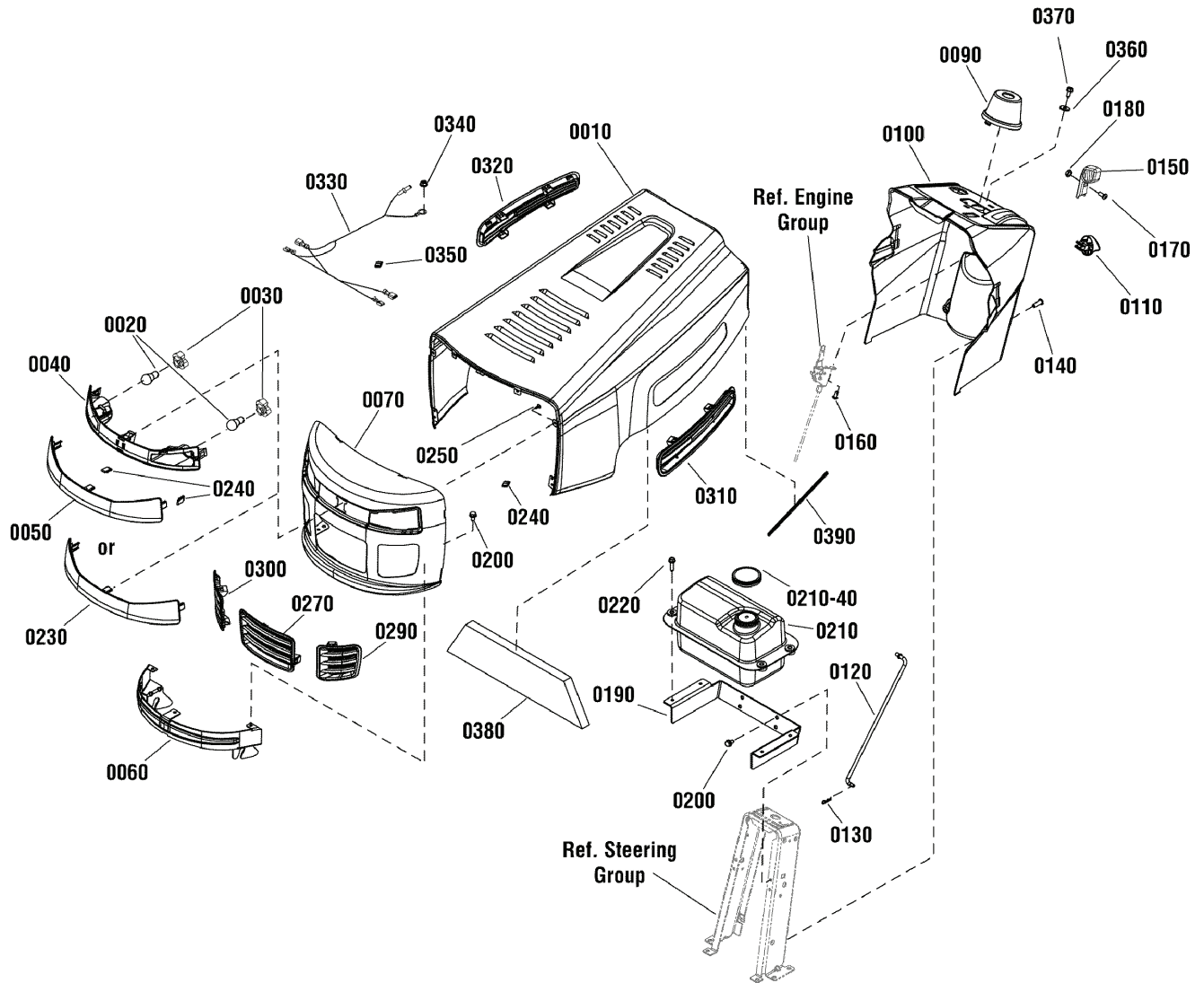
The above parts group applies to the following Mfg. Nos.:

2690936 - EMT125380
2690986 - EMT155420H
2690988 - EMT125380
2690989 - EMT155420H

Hood Grille & Dash Group

NOTE: Unless noted otherwise,
use the standard hardware torque
specification chart.

2989482



The above parts group applies to the following Mfg. Nos.:

- 2690936 - EMT125380
- 2690986 - EMT155420H
- 2690988 - EMT125380
- 2690989 - EMT155420H

Hood Grille & Dash Group

REF NO	PART NO.	QTY.	DESCRIPTION
0010	1750971BIYP	1	HOOD
0020	1677371SM	2	*BULB, Headlight, 1156-12.8V, 27 Watts, 32 Candle Power (Used on 15.5HP)
0030	1001716MA	2	SOCKET, Lamp (Used on 15.5HP)
0040	1001805MA	1	HOUSING, Headlamp (Used on 15.5HP)
0050	1001806MA	1	LENS, Light (Used on 15.5HP)
0060	1750659BMYP	1	BRACKET, Hinge Hood / Bumper
0070	1750970BIYP	1	GRILLE, 3 Hole
0090	1751114YP	1	COVER, Steering Shaft
0100	1750990YP	1	DASH
0110	1721891SM	1	KNOB, Push On, Red Plastic "P"
0120	1738929YP	1	ROD, Parking Brake
0130	1722460SM	1	PIN, Quick, 1-3/16 Long
0140	1960556SM	2	SCREW, Truss Head Torx, 1/4-20 x 3/4
0150	1739312YP	1	KNOB, Throttle
0160	1739329YP	2	SCREW, Washer Head, 5MM x 12MM Long
0170	797483	1	SCREW, Phillips Head, 8-32 x 3/8
0180	7091018YP	1	NUT, #8-32 Hex, GR 2B
0190	1750974BMYP	1	SUPPORT, Fuel Tank
0200	1930601SM	7	CAPSCREW, Hex Washer Head, Taptite, 5/16-18 x 5/8
0210	1750972YP	1	TANK, Fuel
0220	1931202SM	4	SCREW, Hex Washer Head Taptite 5/16-18 x 1-1/4
0210-40	1751942YP	1	CAP, Fuel
0230	1751735YP	1	INSERT, Headlight (Used on 12.5HP)
0240	028X83MA	4	RETAINERS, S-Clips
0250	26X270MA	8	SCREW, Thread Forming
0270	1741762MA	1	INSERT, Center Grille
0290	1741763MA	1	INSERT, Left Grille
0300	1741764MA	1	INSERT, Right Grille
0310	1741760MA	1	INSERT, Left Hood
0320	1741761MA	1	INSERT, Right Hood
0330	1751440YP	1	WIRING HARNESS, Headlight (Used on 15.5HP)
0340	1931211SM	1	NUT, Hex Flange Whiz Lock, 3/8-16 (Used on 15.5HP)
0350	2172434SM	1	CABLE, Clip (Used on 15.5HP)
0360	1919381SM	2	WASHER, 5/16
0370	1664847SM	2	SCREW, Hex Washer Head Taptite, 5/16-18 x 3/4
0380	1752484YP	1	FOAM, Hood
0390	1752551YP	2	STRIP, Trim, 10"

Footnotes

Note* See your local hardware store for replacement bulbs.

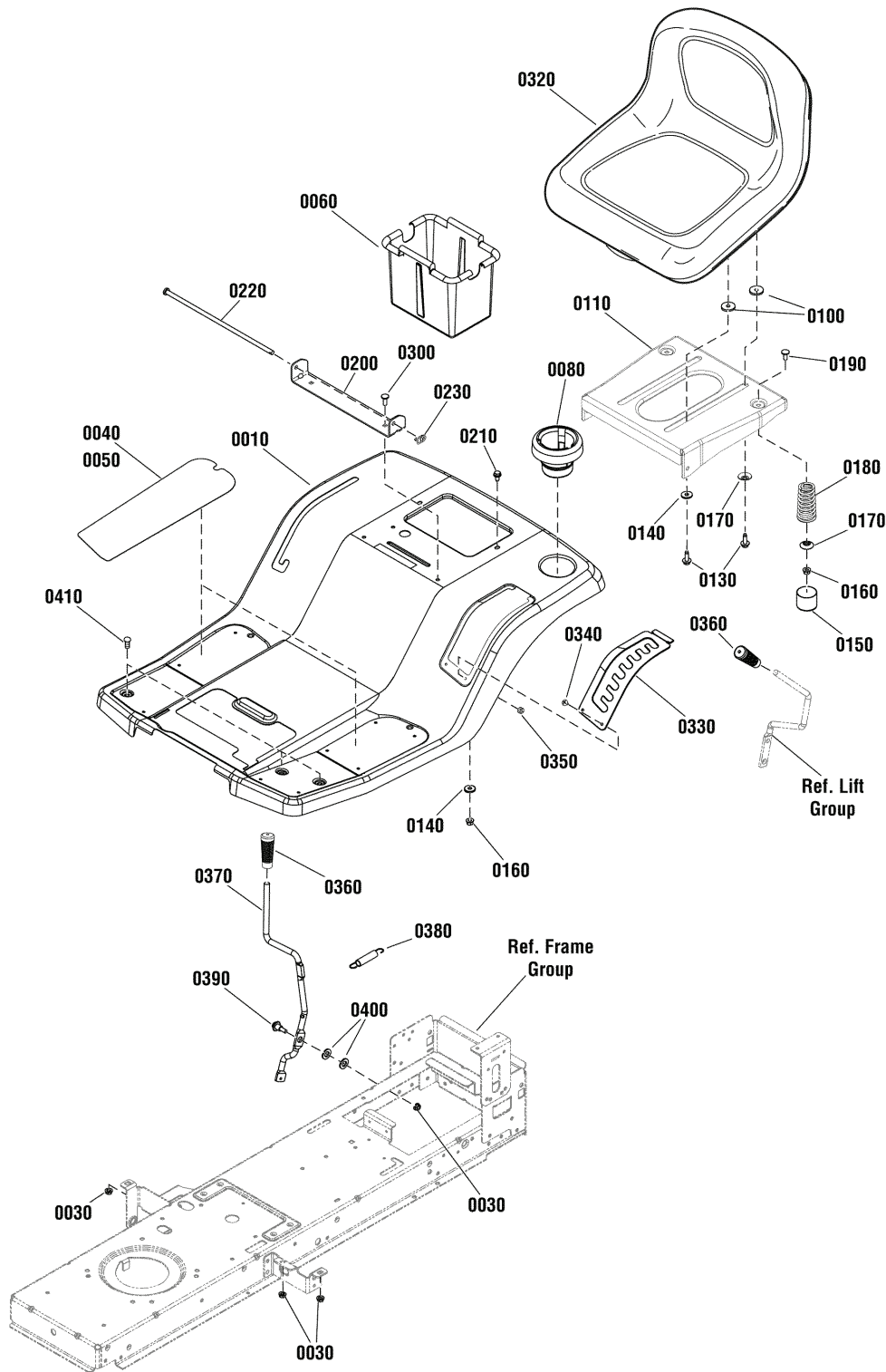
The above parts group applies to the following Mfg. Nos.:

2690936 - EMT125380
 2690986 - EMT155420H
 2690988 - EMT125380
 2690989 - EMT155420H

Seat Deck Group

NOTE: Unless noted otherwise,
use the standard hardware torque
specification chart.

2989590



The above parts group applies to the following Mfg. Nos.:

- 2690936 - EMT125380
- 2690986 - EMT155420H
- 2690988 - EMT125380
- 2690989 - EMT155420H

Seat Deck Group

REF NO	PART NO.	QTY.	DESCRIPTION
0010	1750975BIYP	1	DECK, Seat
0030	1931277SM	4	NUT, Hex Flange, Whiz Lock, 5/16-18
0040	094998MA	1	MAT, Running Board, RH
0050	1751116YP	1	MAT, Running Board, LH
0060	690424MA	1	CONTAINER, Battery
0080	1741770MA	1	HOLDER, Beverage
0100	1731300SM	4	SPACER, 5/16 ID x 1-1/4 OD x 5/16"
0110	1752228BMYP	1	SUPPORT, Seat
0130	1960667SM	4	CAPSCREW, Hex Flange, Whiz Lock, 5/16-18 x 1
0140	1919381SM	4	WASHER, 5/16
0150	1751945YP	2	COVER, Spring
0160	1960686SM	4	NUT, Hex Flange, ESNA, 5/16-18
0170	1709256SM	4	WASHER, Spring, 5/16 x 1-1/4
0180	1751810YP	2	SPRING, Compression
0190	1960282SM	2	BOLT, Carriage, 5/16-18 x 3/4, G5
0200	1750968BMYP	1	BRACKET, Seat Pivot
0210	1930601SM	2	CAPSCREW, Hex Washer Head, Taptite, 5/16-18 x 5/8
0220	1751493YP	1	ROD, Seat Pivot
0230	7091593SM	1	PIN, Cotter, Self Lock, 3/8
0300	1931334SM	2	BOLT, Carriage, Short Neck, 5/16-18 x 7/8, G5
0320	1752062YP	1	SEAT ASSEMBLY
0330	1751159BMYP	1	QUADRANT, Mower Lift
0340	009X47MA	2	BOLT, Shoulder
0350	015X81MA	2	NUT, McLean Lock, #10-24
0360	092697MA	2	GRIP
0370	1750976YP	1	ROD, Manual PTO, J Hook, RH
0380	2156302SM	1	SPRING, Extension
0390	1752072YP	1	BOLT, Shoulder
0400	1960170SM	2	WASHER, 1/2
0410	1931333SM	3	BOLT, Carriage, Short Neck, 5/16-18 x 3/4, G5

Footnotes

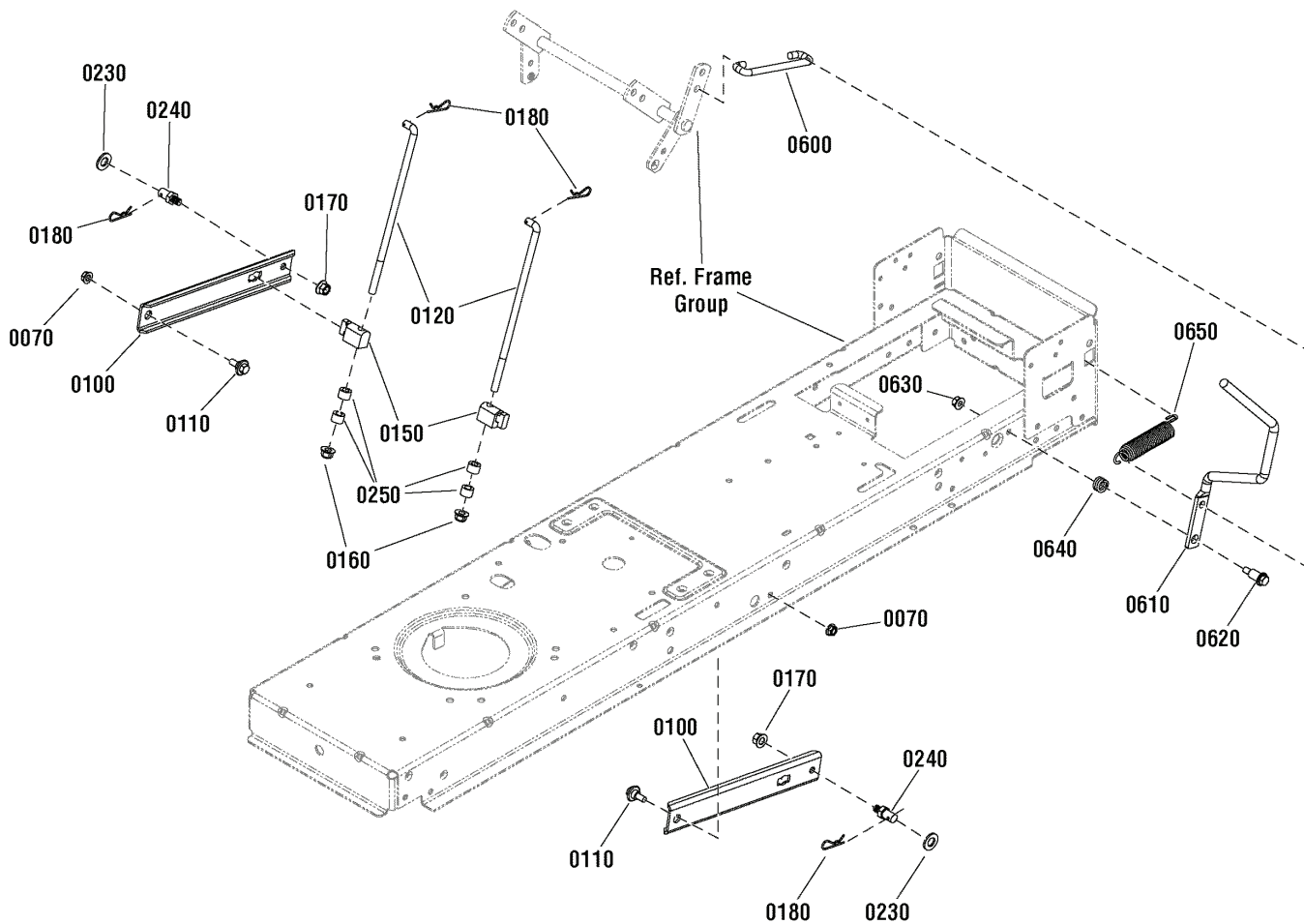
The above parts group applies to the following Mfg. Nos.:

2690936 - EMT125380
2690986 - EMT155420H
2690988 - EMT125380
2690989 - EMT155420H

Lift Group

NOTE: Unless noted otherwise,
use the standard hardware torque
specification chart.

2989484



The above parts group applies to the following Mfg. Nos.:

- 2690936 - EMT125380
- 2690986 - EMT155420H
- 2690988 - EMT125380
- 2690989 - EMT155420H

Lift Group

REF NO	PART NO.	QTY.	DESCRIPTION
0070	1931277SM	2	NUT, Hex Flange, Whiz Lock, 5/16-18
0100	1731417SM	2	ARM, Rear Lift
0110	1732426SM	2	BOLT, Shoulder, 5/16-18
0120	1727955SM	2	ROD, Lower Lift
0150	1731894SM	2	TRUNNION
0160	1960687SM	2	NUT, Hex Flange, ESNA, 3/8-16
0170	1931211SM	2	NUT, Hex Flange, Whiz Lock, 3/8-16
0180	1960074SM	4	CLIP, Hair Pin
0230	1960170SM	2	WASHER, 1/2
0240	094067MA	2	PIN, Threaded Shoulder, 3/8-16
0250	1666294SM	4	SPACER, 3/8 ID x 11/16 OD x 7/16"
0600	1727954SM	1	ROD, Lift
0610	1751772YP	1	ROD, Mower Lift
0620	1728976SM	1	BOLT, Shoulder, 5/16-18
0630	1960686SM	1	NUT, Hex Flange, ESNA, 5/16-18
0640	2162085SM	1	SPRING, Compression
0650	1715772SM	1	SPRING, Extension

Not for
Reproduction

Footnotes

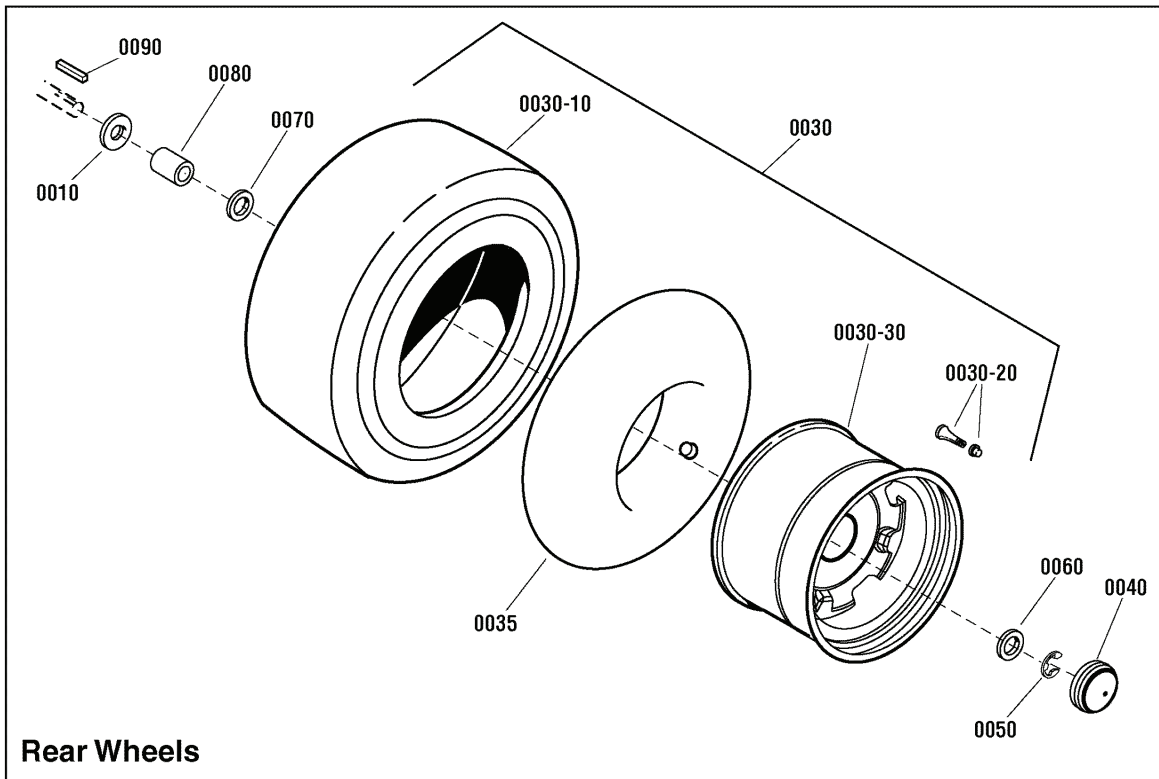
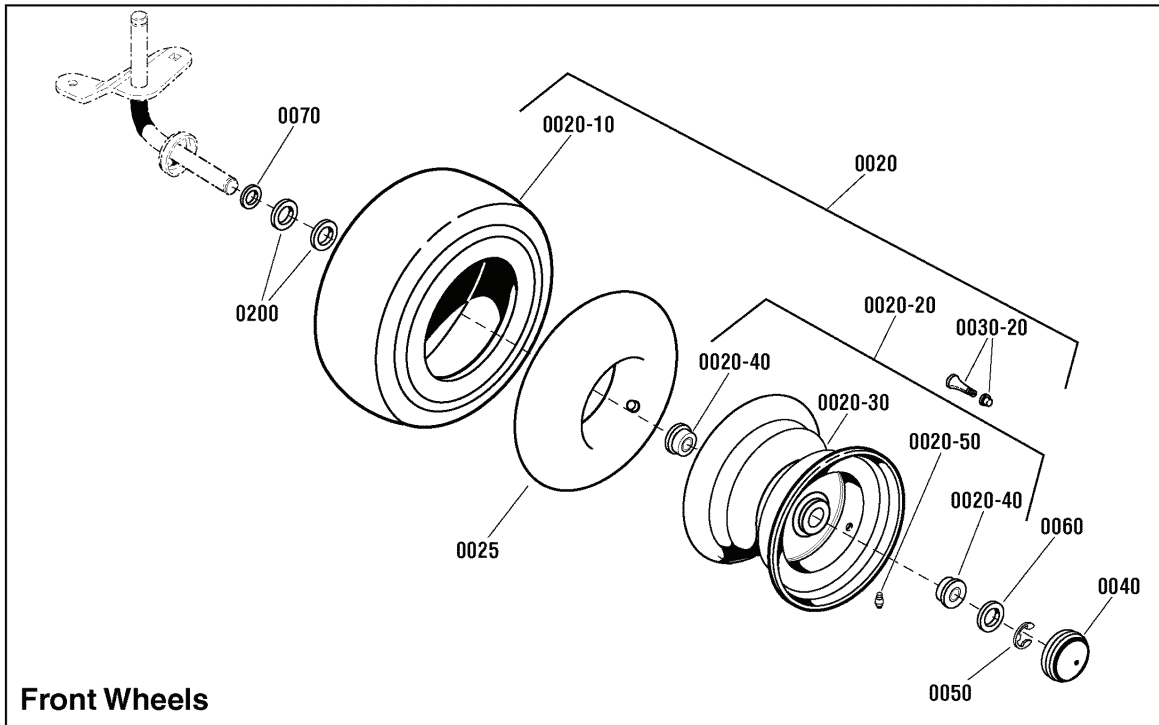
The above parts group applies to the following Mfg. Nos.:

2690936 - EMT125380
2690986 - EMT155420H
2690988 - EMT125380
2690989 - EMT155420H

Wheels & Tires Group

NOTE: Unless noted otherwise,
use the standard hardware torque
specification chart.

2989481_2989570



The above parts group applies to the following Mfg. Nos.:

- 2690936 - EMT125380
- 2690986 - EMT155420H
- 2690988 - EMT125380
- 2690989 - EMT155420H

Wheels & Tires Group

REF NO	PART NO.	QTY.	DESCRIPTION
0010	2860202SM	2	WASHER, 3/4 (Used on 15.5HP)
0020	1729708SM	2	WHEEL & TIRE ASSEMBLY, Front (Includes Ref. Nos. 0020-10, 0020-20, 0020-30, 0020-40 & 0020-50)
0020-10	1731951SM	2	TIRE, 15 x 6-6, Front
0020-20	1751688YP	2	WHEEL & BUSHING ASSEMBLY
0020-30	-----	2	WHEEL, Rim (Not a serviceable part, order Ref. 0020-20)
0020-40	1713167SM	4	BEARING
0020-50	2812808SM	1	FITTING, Grease
0025	1664090SM	2	TUBE, Tire, Front
0030	7102668YP	2	WHEEL & TIRE ASSEMBLY, Rear, 18 x 8.5-8 (Includes Ref. Nos. 0020-20, 0030-10, 0030-20 & 0030-30)
0030-10	7102670YP	1	TIRE, K358, 2 Ply, 18 x 8.5-8
0030-20	2172353SM	1	VALVE STEM & CAP
0030-30	-----	1	WHEEL, Rim (Not a serviceable part, order Ref. 0030)
0035	2164247SM	2	TUBE, Tire, Rear
0040	094618MA	4	HUB CAP
0050	0011X3MA	4	E-RING
0060	17X195MA	4	WASHER, Flat
0070	17X160MA	2	WASHER, Flat, 3/4 (Qty 4 used on 15.5HP)
0080	1730181SM	2	SPACER (Used on 15.5HP)
0090	021553MA	2	KEY, Square, 3/16
0200	1911386SM	4	WASHER, 3/4

Not for
Reproduction

Footnotes

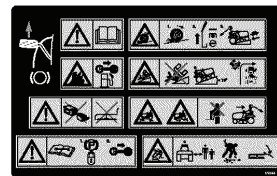
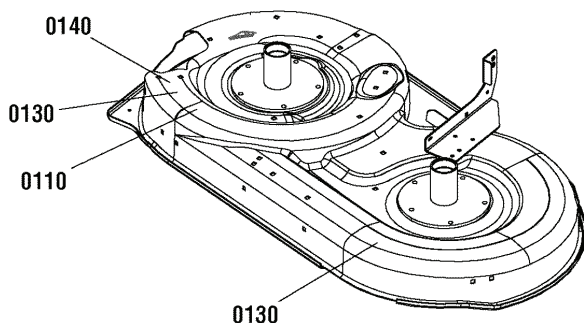
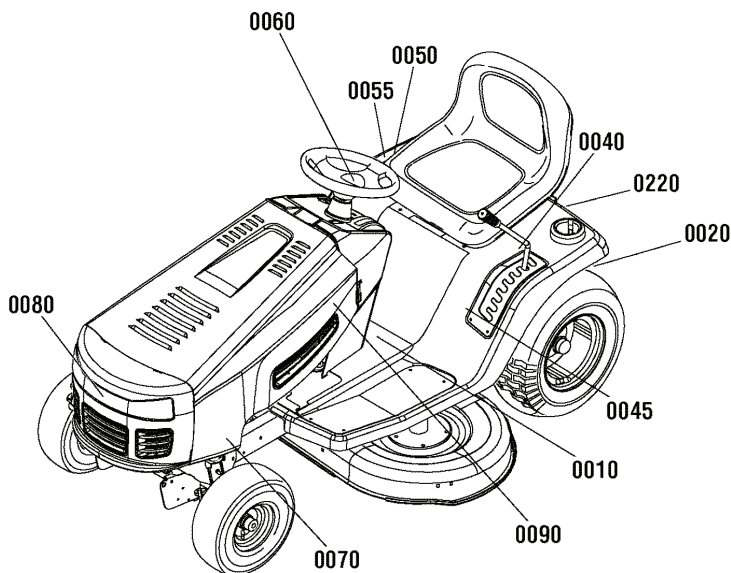
The above parts group applies to the following Mfg. Nos.:

2690936 - EMT125380
2690986 - EMT155420H
2690988 - EMT125380
2690989 - EMT155420H

Decals Group

NOTE: Unless noted otherwise, use the standard hardware torque specification chart.

2989615



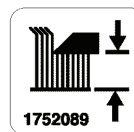
0010



0020

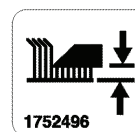


0220



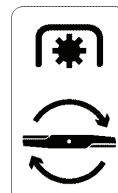
1752089

0040

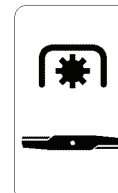


1752496

0045



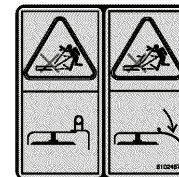
0050



0055



0130



0140



0060



0080

EMT125380

0070

EMT125380F

0070

MURRAY

0090

EMT155420H

0070

EMT155420F

0070

96cm

0110

107cm

0110

The above parts group applies to the following Mfg. Nos.:

- 2690936 - EMT125380
- 2690986 - EMT155420H
- 2690988 - EMT125380
- 2690989 - EMT155420H

Decals Group

REF NO	PART NO.	QTY.	DESCRIPTION
0010	1752088YP	1	DECAL, Tunnel
0020	1730202SM	1	DECAL, Transmission Tow / Release Lever
0040	1752089YP	1	DECAL, Height of Cut
0045	1752496YP	1	DECAL, Height of Cut, Low Cut
0050	1752090YP	1	DECAL, Manual PTO
0055	1752317YP	1	DECAL, Manual PTO, Disengaged
0060	1737167YP	1	DECAL, Steering Wheel
0070	1752091YP	1	DECAL, EMT125350 (Used on Model 2690936)
0070	1752341YP	1	DECAL, EMT125350F (Used on Model 2690988)
0070	1752092YP	1	DECAL, EMT155420 (Used on Model 2690986)
0070	1752342YP	1	DECAL, EMT155420F (Used on Model 2690989)
0080	7102288YP	1	DECAL, Front Hood
0090	7102772YP	2	DECAL, Logo, Side Hood
0110	7102780YP	1	DECAL, Deck Width, 96cm (Used on 12.5HP Models)
0110	7102781YP	1	DECAL, Deck Width, 107cm (Used on 15.5HP Models)
0130	5102420YP	2	DECAL, Danger, Mower Deck
0140	5102457YP	1	DECAL, Danger Discharge
0220	7101940YP	1	DECAL, Weight Limit

Not for
Reproduction

Footnotes

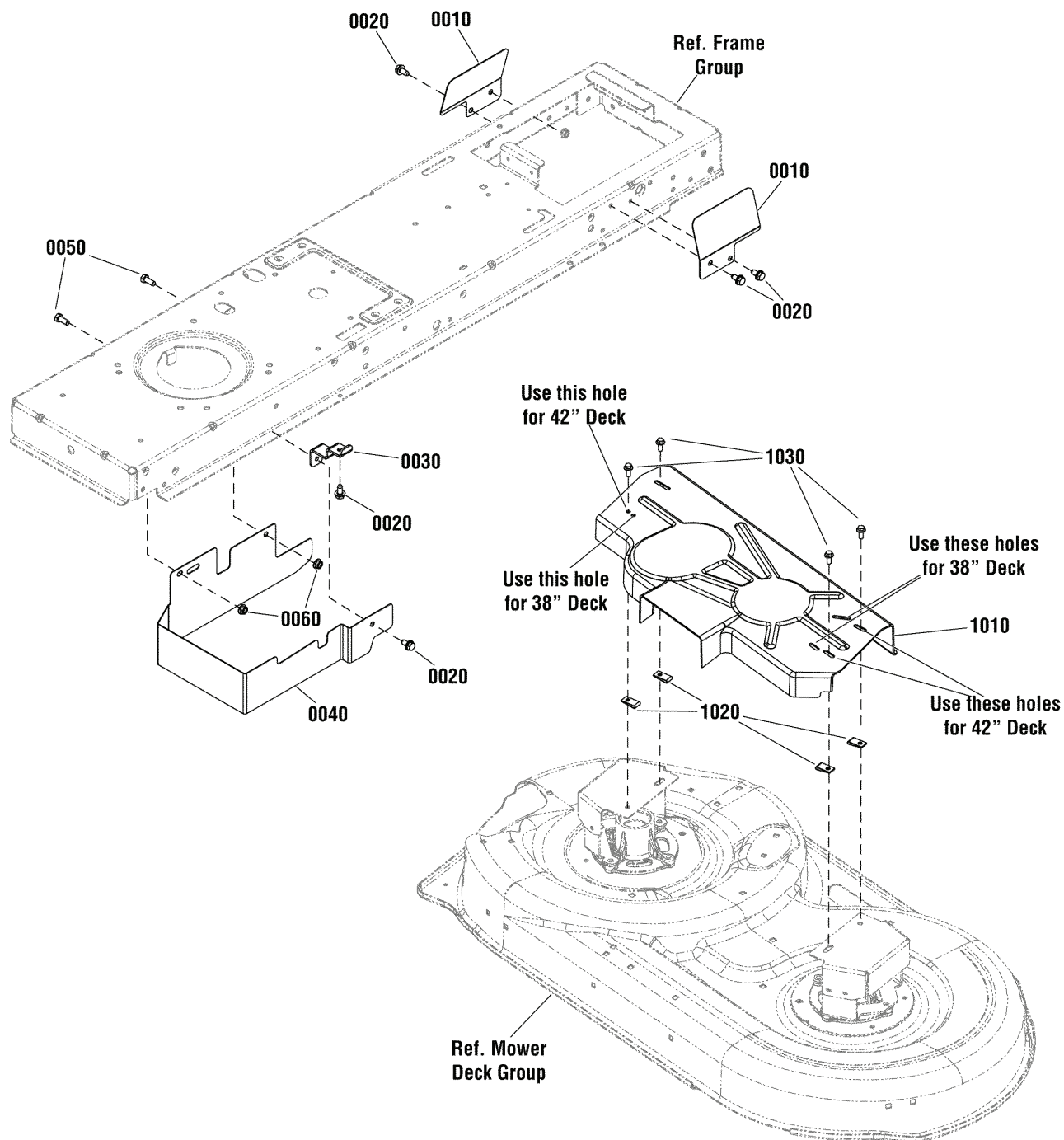
The above parts group applies to the following Mfg. Nos.:

2690936 - EMT125380
2690986 - EMT155420H
2690988 - EMT125380
2690989 - EMT155420H

French Guard Group

NOTE: Unless noted otherwise,
use the standard hardware torque
specification chart.

2989640



The above parts group applies to the following Mfg. Nos.:

2690988 - EMT125380
2690989 - EMT155420H

French Guard Group

REF NO	PART NO.	QTY.	DESCRIPTION
0010	1752039BMYP	2	GUARD, Rear Pulley
0020	1930601SM	6	CAPSCREW, Hex Washer Head, 5/16-1/8 x 5/8
0030	1752160BMYP	1	BRACKET, Guard Support
0040	1751852BMYP	1	GUARD, Engine Pulley
0050	1921332SM	2	CAPSCREW, Hex Head, 5/16-18 x 3/4
0060	1931277SM	2	NUT, Hex Flange, 5/16-18
1010	1751850YP	1	GUARD, Mower Housing
1020	1926018SM	4	NUT, Speed, 1/4
1030	1960295SM	4	CAPSCREW, Hex Flange, Whiz Lock, 1/4-20 x 5/8

Not for
Reproduction

Footnotes

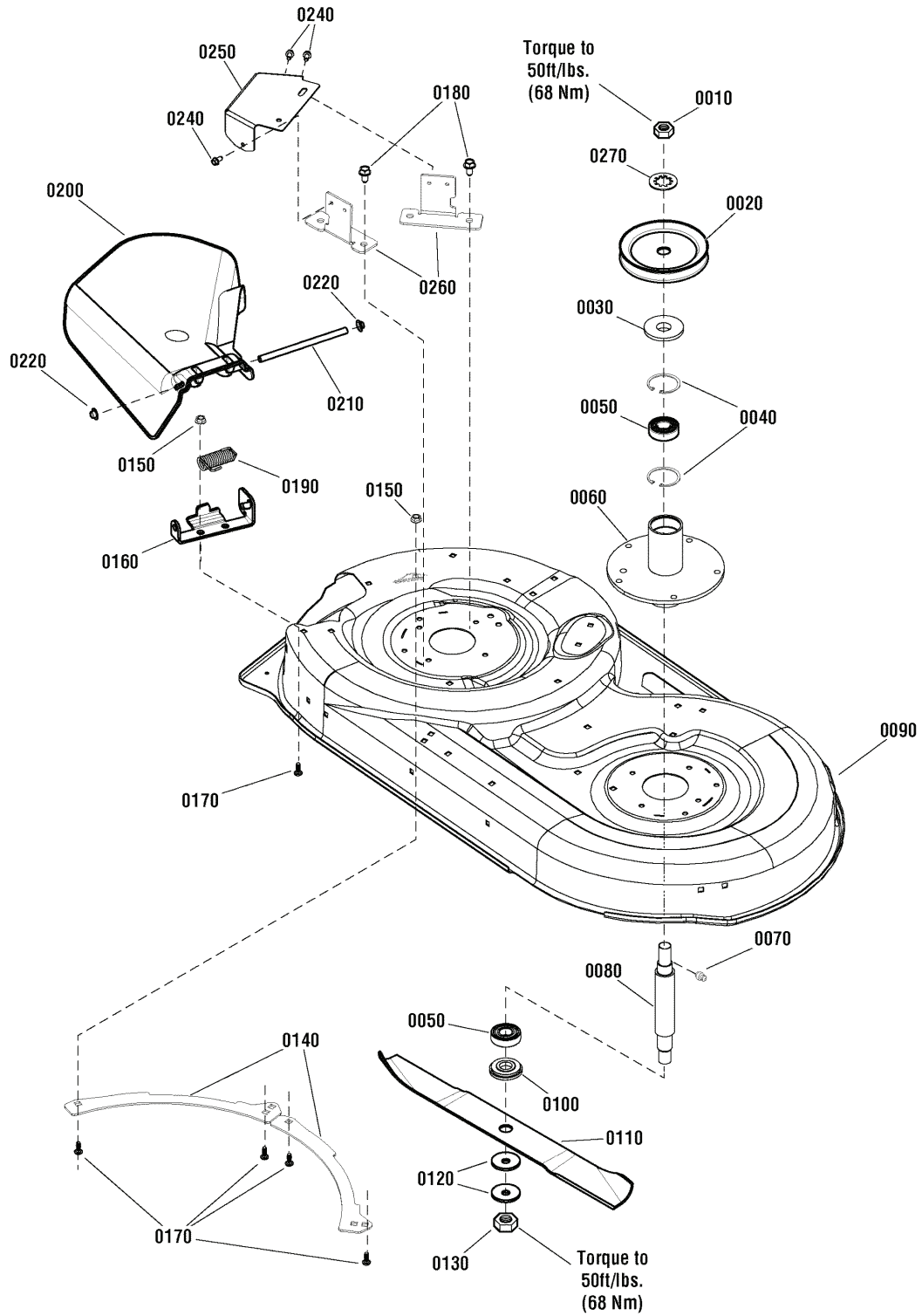
The above parts group applies to the following Mfg. Nos.:

2690988 - EMT125380
2690989 - EMT155420H

38" Mower Deck - Housing, Arbors & Blades Group

NOTE: Unless noted otherwise, use the standard hardware torque specification chart.

2989609



The above parts group applies to the following Mfg. Nos.:

2690936 - EMT125380

2690988 - EMT125380

38" Mower Deck - Housing, Arbors & Blades Group

REF NO	PART NO.	QTY.	DESCRIPTION
0010	1922014SM	2	NUT, Hex Jam, 5/8-18
0020	1751088YP	2	PULLEY, Spindle, 5-1/4 OD
0030	7072440SM	2	SPACER, Pulley
0040	7012491SM	4	RING, Retaining, 1-3/4
0050	2108202SM	4	BEARING, Ball, 3/4 ID x 1-3/4 OD x 5/8"
0060	1731372BMYP	2	SPINDLE HOUSING
0070	1704314SM	2	FITTING, Grease
0080	7072537SM	2	SHAFT, Spindle
0090	1731204BIYP	1	HOUSING, 38"
0100	1731917SM	2	WASHER, Spindle Blade
0110	1737534AYP	2	BLADE, Mower, 38"
0120	7024467SM	4	WASHER, Belleville, 1-3/4 Dia.
0130	7091633SM	2	NUT, Hex, 9/16F
0140	7300834BMYP	2	PLATE, Rear
0150	1931277SM	6	NUT, Hex Flange, Whiz Lock, 5/16-18
0160	094956E701MA	1	BRACKET, Hinge
0170	1931333SM	6	BOLT, Carriage, Short Neck, 5/16-18 x 3/4, G5
0180	1923683SM	10	CAPSCREW, Hex Washer Head, Taptite, 3/8-16 x 3/4
0190	0166X4MA	1	SPRING, Torsion
0200	094707MA	1	DEFLECTOR & SUPPORT ASMY, Chute
0210	094957ZMA	1	ROD, Deflector
0220	1960093SM	2	NUT, Push Pal, 3/8
0240	26X263MA	6	SCREW, Hex 1/4 x 1/2
0250	1752034BMYP	2	COVER, Mower Spindle
0260	1733889ASM	4	SUPPORT, Spindle Guard
0270	7090880YP	2	WASHER, Internal Tooth, 5/8

Not for
Reproduction

Footnotes

The above parts group applies to the following Mfg. Nos.:

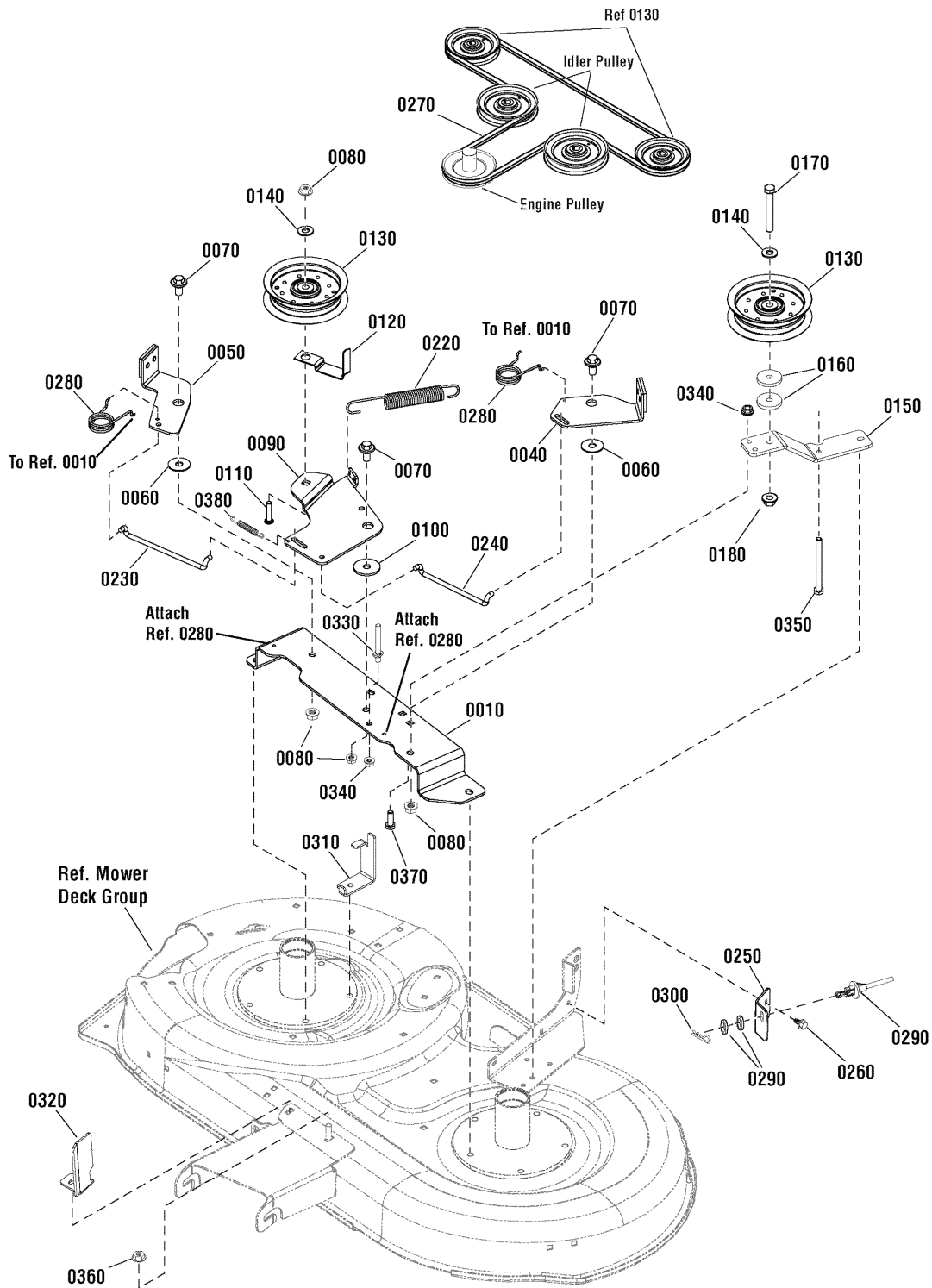
2690936 - EMT125380

2690988 - EMT125380

38" Mower Deck - Clutch Group

NOTE: Unless noted otherwise,
use the standard hardware torque
specification chart.

2989613



The above parts group applies to the following Mfg. Nos.:

2690936 - EMT125380

2690988 - EMT125380

38" Mower Deck - Clutch Group

REF NO	PART NO.	QTY.	DESCRIPTION
0010	1751608BMYP	1	SUPPORT, Brake Arms
0040	1750787YP	1	BRAKE ARM ASSEMBLY, LH
0050	1751345YP	1	BRAKE ARM ASSEMBLY, RH
0060	1922611SM	2	WASHER, 3/8
0070	1752070YP	3	BOLT, Shoulder
0080	015X84MA	4	NUT, Hex Flange, Center Lock, 3/8-16
0090	1752525BMYP	1	ARM, Idler
0100	1924356SM	1	WASHER, 3/8
0110	1931353SM	1	BOLT, Carriage, Short Neck, 3/8-16 x 1-3/4, G5
0120	726822YP	2	SPRING, Belt Guide
0130	1736540YP	2	PULLEY, Idler
0140	1924940SM	2	WASHER, 3/8
0150	1750785BMYP	1	SUPPORT, Idler, RH
0160	1960071SM	2	WASHER, 3/8
0170	7091501SM	1	CAPSCREW, Hex Head, 3/8-16 x 2-1/2, G5
0180	1928352SM	1	NUT, Hex Flange, Whiz Lock, 3/8-16
0220	1718016SM	1	SPRING, Extension
0230	1751454YP	1	ROD, Mower Brake
0240	1751494YP	1	ROD, Mower Brake
0250	1751471BMYP	1	BRACKET, Cable Mounting
0260	1664847SM	1	CAPSCREW, Hex Washer Head, Taptite, 5/16-18 x 3/4
0270	1732204SM	1	V-BELT, Arbor Drive, 91.1 Kevlar
0280	166X41MA	2	SPRING, Torsion, Brake
0290	1750977YP	1	CABLE, Manual PTO
0300	87005AGS	1	PIN, Quick Release, 1/4 - 1/2
0310	1752532BMYP	1	GUIDE, Belt, Rear
0320	1752533BMYP	1	GUIDE, Belt, Front
0330	7028303YP	1	STUD, Belt Guide
0340	1931277SM	4	NUT, Hex Flange, Whiz Lock, 5/16-18
0350	091754MA	1	SCREW, Guide, 5/16-18
0360	015X88MA	1	NUT, Hex Flange, Centerlock, 5/16-18
0370	1931333SM	2	BOLT, Carriage, Short Neck, 5/16-18 x 3/4
0380	2159106SM	1	SPRING, Extension

Footnotes

The above parts group applies to the following Mfg. Nos.:

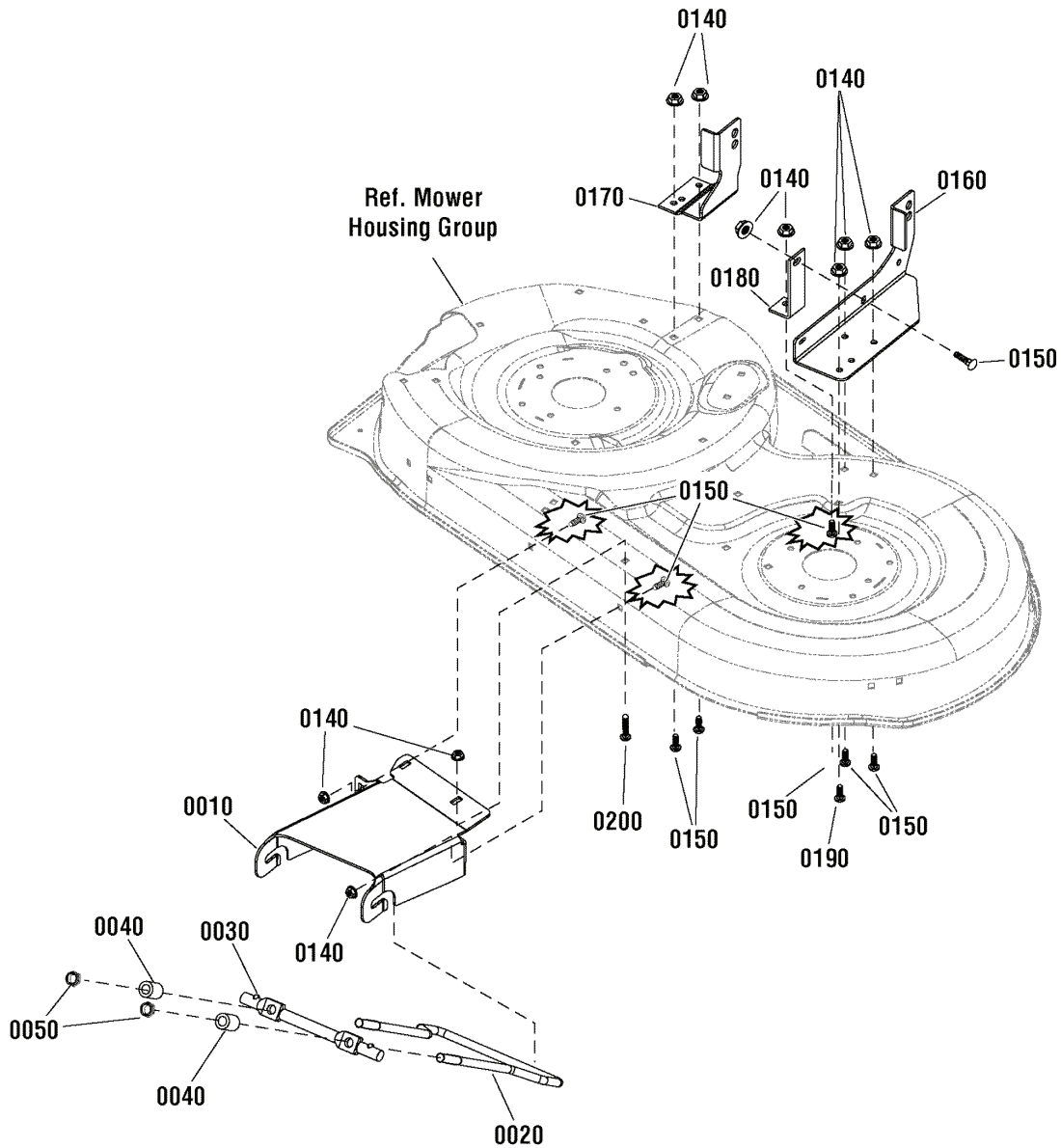
2690936 - EMT125380

2690988 - EMT125380

38" Mower Deck - Height Adjust Group

NOTE: Unless noted otherwise,
use the standard hardware torque
specification chart.

2989602



The above parts group applies to the following Mfg. Nos.:

2690936 - EMT125380

2690988 - EMT125380

38" Mower Deck - Height Adjust Group

REF NO	PART NO.	QTY.	DESCRIPTION
0010	1731967BMYP	1	HITCH, Front
0020	1730097SM	1	ROD, Bail
0030	1751385YP	1	ROD, Front Mower Lift
0040	1750997YP	2	SPACER, 1/2 ID x 7/8 OD 5/8"
0050	1960379SM	2	NUT, Hex Lock, ESNA LIGHT, 1/2-13
0140	1931277SM	10	NUT, Hex Flange, Whiz Lock, 5/16-18
0150	1931333SM	8	BOLT, Carriage, Short Neck, 5/16-18 x 3/4, G5
0160	1751168BMYP	1	SUPPORT, Mower, LH
0170	1751169BMYP	1	SUPPORT, Mower, RH
0180	1730201ASM	1	BRACE, Mower Support
0190	1931335SM	1	BOLT, Carriage, Short Neck, 5/16-18 x 1, G5
0200	1960223SM	1	BOLT, Carriage, 5/16-18 x 1-1/4, G5
0200	1960223SM	1	BOLT, Carriage, Short Neck, 5/16-18 x 1-1/4, G5

Not for
Reproduction

Footnotes

The above parts group applies to the following Mfg. Nos.:

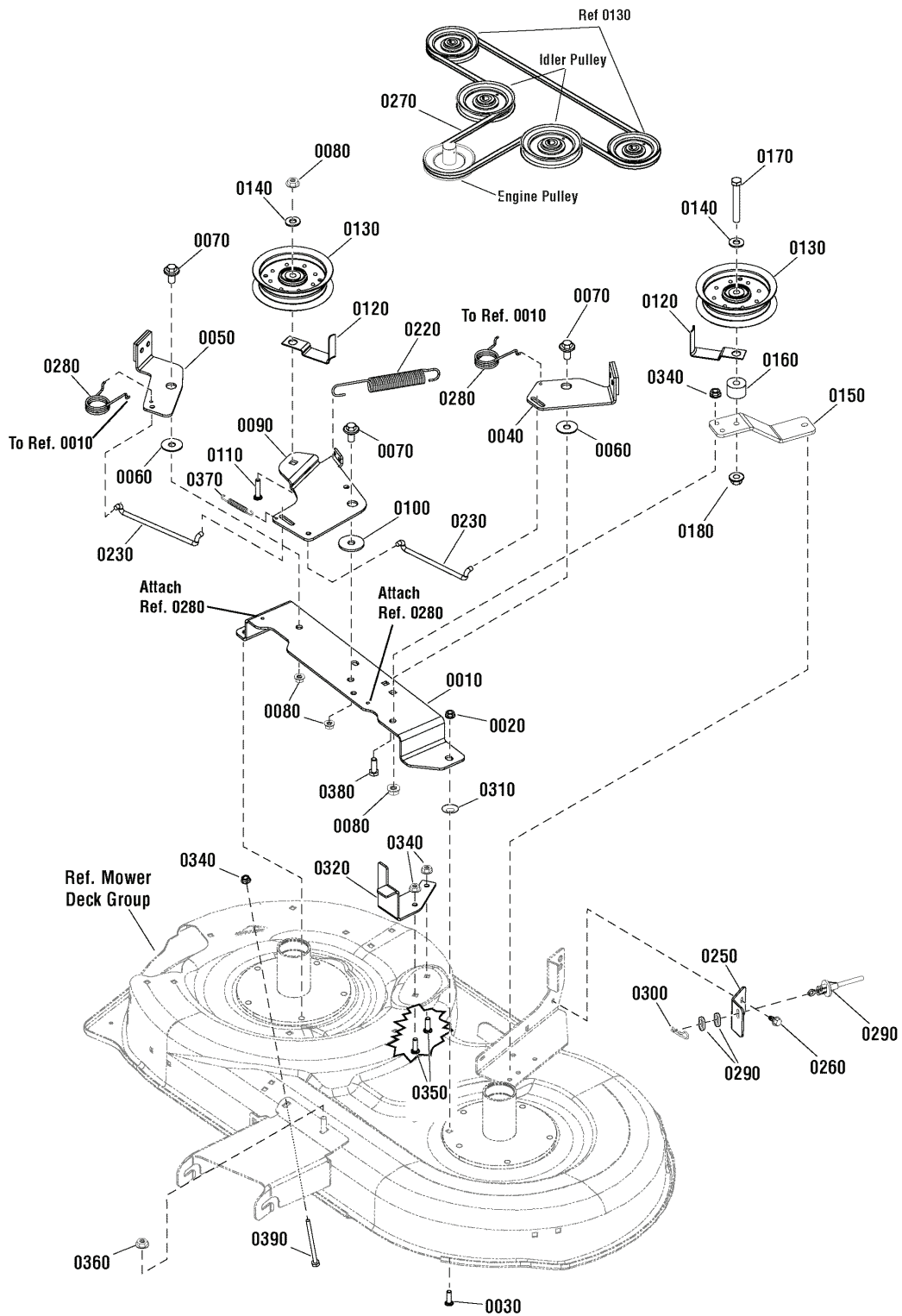
2690936 - EMT125380

2690988 - EMT125380

42" Mower Deck - Clutch Group

NOTE: Unless noted otherwise,
use the standard hardware torque
specification chart.

2989614



The above parts group applies to the following Mfg. Nos.:

2690986 - EMT155420H

2690989 - EMT155420H

42" Mower Deck - Clutch Group

REF NO	PART NO.	QTY.	DESCRIPTION
0010	1750613BMYP	1	SUPPORT, Brake Arms
0020	7090951SM	2	NUT, Hex, Centerlock
0030	1931334SM	1	BOLT, Carriage, Short Neck, 5/16-18 x 7/8
0040	1750787YP	1	BRAKE ARM ASSEMBLY, LH
0050	1751345YP	1	BRAKE ARM ASSEMBLY, RH
0060	1922611SM	2	WASHER, 3/8
0070	1752070YP	3	BOLT, Shoulder
0080	015X84MA	4	NUT, Hex Flange, Center Lock, 3/8-16
0090	1750612BMYP	1	ARM, Idler
0100	1924356SM	1	WASHER, 3/8
0110	1931353SM	1	BOLT, Carriage, Short Neck, 3/8-16 x 1-3/4, G5
0120	726822YP	2	SPRING, Belt Guide
0130	1736540YP	2	PULLEY, Idler
0140	1924940SM	2	WASHER, 3/8
0150	1752150BMYP	1	SUPPORT, Idler, RH
0160	1715024SM	1	SPACER, 3/4"
0170	1921973SM	1	CAPSCREW, Hex Head, 3/8-16 x 2-3/4, G5
0180	1928352SM	1	NUT, Hex Flange, Whiz Lock, 3/8-16
0220	1752846YP	1	SPRING, Extension
0230	1751454YP	2	ROD, Mower Brake
0250	1751471BMYP	1	BRACKET, Cable Mounting
0260	1664847SM	1	CAPSCREW, Hex Washer Head, Taptite, 5/16-18 x 3/4
0270	7028585YP	1	BELT, Traction Drive, TTK50/K55
0280	166X41MA	2	SPRING, Torsion, Brake
0290	1750977YP	1	CABLE, Manual PTO
0300	87005AGS	1	PIN, Quick Release, 1/4 - 1/2
0310	1933988SM	1	NUT, Push Pal, 5/16
0320	1752524BMYP	1	GUIDE, Belt
0340	1931277SM	5	NUT, Hex Flange, Whiz Lock, 5/16-18
0350	1931333SM	2	BOLT, Carriage, Short Neck, 5/16-18 x 3/4
0360	015X88MA	1	NUT, Hex Flange, Centerlock, 5/16-18
0370	2159106SM	1	SPRING, Extension
0380	1931335SM	2	BOLT, Carriage, Short Neck, 5/16-18 x 1
0390	91754MA	1	SCREW, Guide, 5/16-18

Footnotes

The above parts group applies to the following Mfg. Nos.:

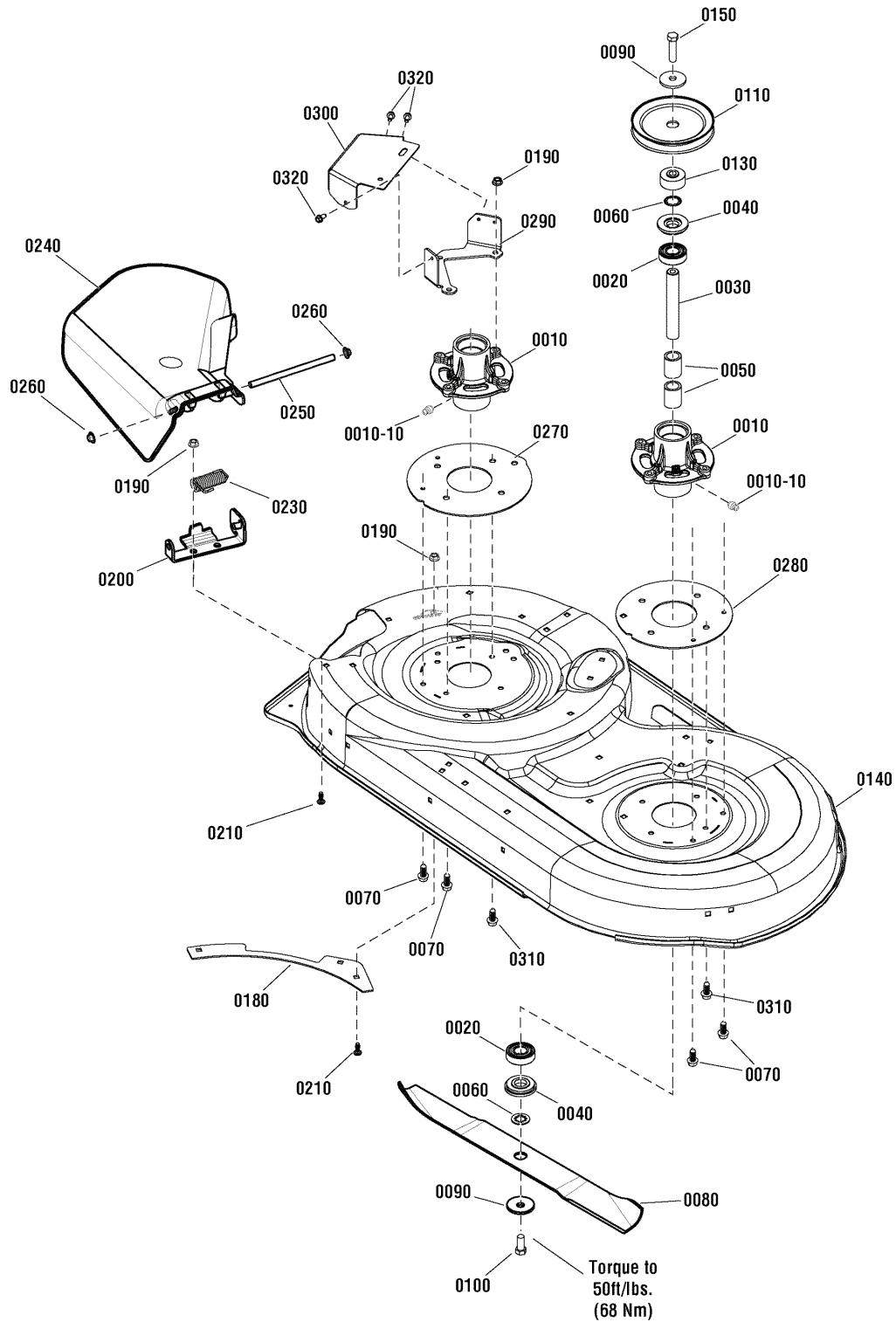
2690986 - EMT155420H

2690989 - EMT155420H

42" Mower Deck - Housing, Arbors & Blades Group

NOTE: Unless noted otherwise,
use the standard hardware torque
specification chart.

2989611



The above parts group applies to the following Mfg. Nos.:

2690986 - EMT155420H

2690989 - EMT155420H

42" Mower Deck - Housing, Arbors & Blades Group

REF NO	PART NO.	QTY.	DESCRIPTION
0010	1735573YP	2	HOUSING, Spindle
0010-10	1704314SM	1	FITTING, Grease (Included in Ref. 0010)
0020	1735399YP	4	BEARING, Ball
0030	1735326YP	2	SHAFT, Spindle
0040	1735323YP	4	ARBOR SHIELD
0050	1735328YP	4	SPACER, Bearing
0060	1960766YP	4	RING, Self Lock
0070	1960373SM	4	CAPSCREW, Hex Washer Head, Taptite, 5/16-18 x 1
0080	1752100YP	2	BLADE
0090	1656916SM	4	WASHER, Spring, 0.47
0100	1920676SM	2	CAPSCREW, Hex Head, 7/16-14 x 1, G5
0110	1750996YP	2	PULLEY, Spindle
0130	1736445YP	2	SPACER, Pueely
0140	1736504BIYP	1	HOUSING, 42
0150	1923027SM	2	CAPSCREW, Hex Head, 7/16-14 x 1-3/4, G5
0180	092426E701MA	2	PLATE, Rear
0190	1931277SM	10	NUT, Hex Flange, Whiz Lock, 5/16-18
0200	094956E701MA	1	BRACKET, Hinge
0210	1931333SM	6	BOLT, Carriage, Short Neck, 5/16-18 x 3/4 G5
0230	0166X4MA	1	SPRING, Torsion
0240	094707MA	1	DEFLECTOR & SUPPORT ASSEMBLY
0250	094957ZMA	1	ROD, Deflector
0260	1960093SM	2	NUT, Push Pal, 3/8
0270	1750457BMYP	1	PLATE, Spindle, RH
0280	1750458BMYP	1	PLATE, Spindle, LH
0290	1752065BMYP	2	BRACKET, Guard Mount
0300	1752034BMYP	2	COVER, Spindle
0310	1930600SM	8	CAPSCREW, Hex Washer Head, Taptite, 5/16-18 x 1-1/2
0320	26X263MA	6	CAPSCREW, Hex, 1/4-20 x 19/32

Footnotes

The above parts group applies to the following Mfg. Nos.:

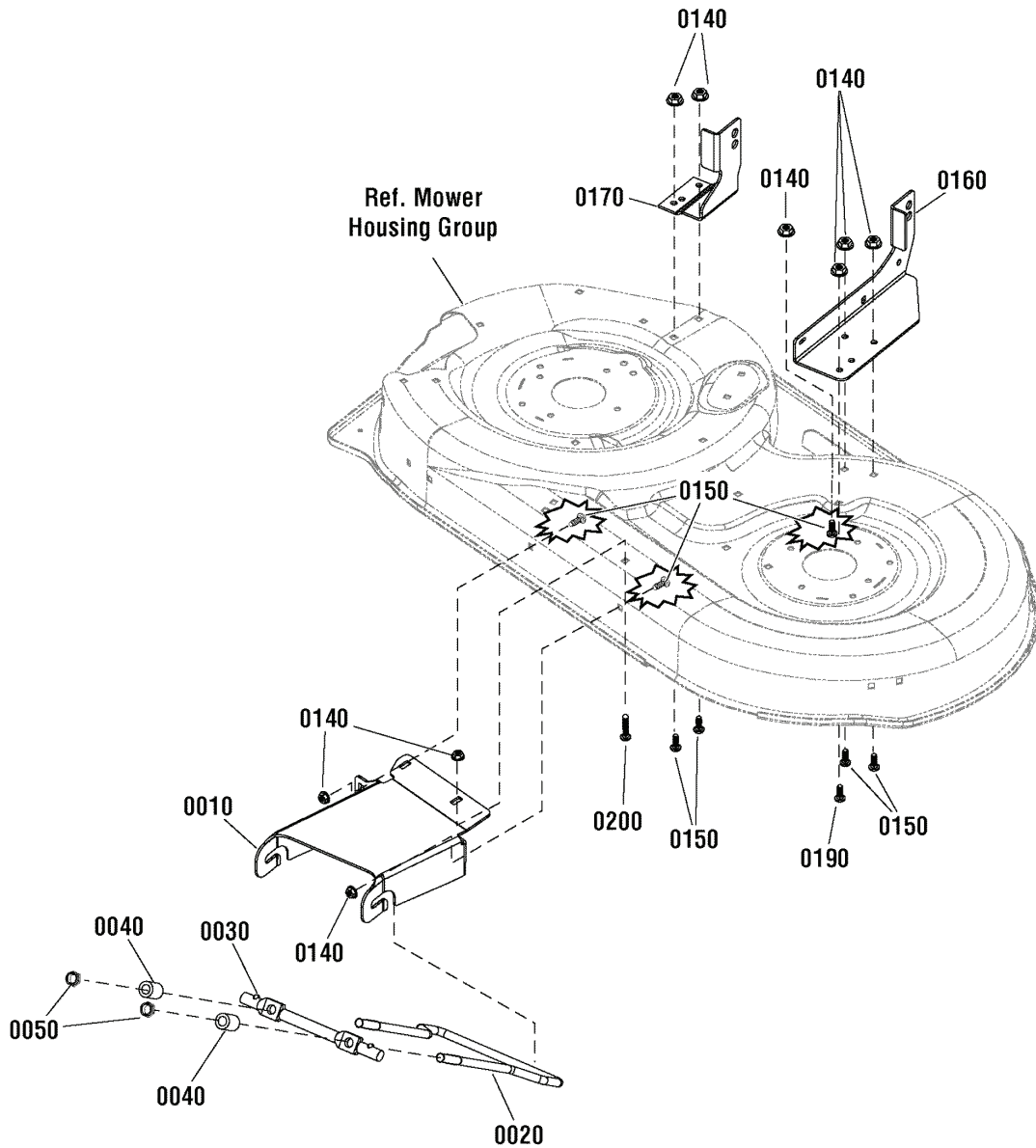
2690986 - EMT155420H

2690989 - EMT155420H

42" Mower Deck - Height Adjust & Roller Group

NOTE: Unless noted otherwise,
use the standard hardware torque
specification chart.

2989603



The above parts group applies to the following Mfg. Nos.:

2690986 - EMT155420H

2690989 - EMT155420H

42" Mower Deck - Height Adjust & Roller Group

REF NO	PART NO.	QTY.	DESCRIPTION
0010	1731966BMYP	1	HITCH, Front
0020	1730097SM	1	ROD, Bail
0030	1751385YP	1	ROD, Front Mower Lift
0040	1750997YP	2	SPACER, 1/2 ID x 7/8 OD 5/8"
0050	1960379SM	2	NUT, Hex Lock, ESNA LIGHT, 1/2-13
0140	1931277SM	8	NUT, Hex Flange, Whiz Lock, 5/16-18
0150	1931333SM	7	BOLT, Carriage, Short Neck, 5/16-18 x 3/4, G5
0160	1751168BMYP	1	SUPPORT, Mower, LH
0170	1751169BMYP	1	SUPPORT, Mower, RH
0190	1931335SM	1	BOLT, Carriage, Short Neck, 5/16-18 x 1, G5
0200	1960223SM	1	BOLT, Carriage, Short Neck, 5/16-18 x 1-1/4, G5

Not for
Reproduction

Footnotes

The above parts group applies to the following Mfg. Nos.:

2690986 - EMT155420H

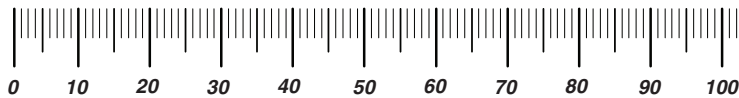
2690989 - EMT155420H

Not for
Reproduction

Hardware Identification & Torque Specifications

Torque Specification Chart								
FOR STANDARD METRIC MACHINE HARDWARE (Tolerance ± 20%)								
Property Class	5.6 Class 5.6		8.8 Class 8.8		10.9 Class 10.9		12.9 Class 12.9	
	in/lbs ft/lbs	Nm.	in/lbs ft/lbs	Nm.	in/lbs ft/lbs	Nm.	in/lbs ft/lbs	Nm.
M3	5.88	.56	13.44	1.28	19.2	1.80	22.92	2.15
M4	13.44	1.28	30.72	2.90	43.44	4.10	52.56	4.95
M5	26.4	2.50	60.96	5.75	5.97	8.10	7.15	9.7
M6	44.64	4.3	7.3	9.9	10.3	14	12.1	16.5
M7	5.2	7.1	12.1	16.5	16.9	23	19.9	27
M8	7.7	10.5	17.7	24	25	34	29	40
M10	15	21	35	48	50	67	59	81
M12	26	36	61	83	86.2	117	103	140
M14	42	58	101	132	136	185	162	220
M16	64	88	147	200	210	285	250	340
M18	89	121	202	275	287	390	346	470
M20	126	171	290	390	405	550	486	660
M22	169	230	390	530	559	745	656	890
M24	217	295	497	375	708	960	840	1140
M27	320	435	733	995	1032	1400	1239	1680
M30	435	590	995	1350	1401	1900	1681	2280
M33	590	800	1349	1830	1902	2580	2278	3090
M36	759	1030	1740	2360	2441	3310	2935	3980
M39	988	1340	2249	3050	3163	4290	3798	5150

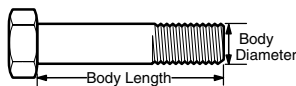
The guides and ruler furnished below are designed to help you select the appropriate hardware.



Nut, M8

Thread Diameter (mm)
Inside Diameter (in)
Threads per inch

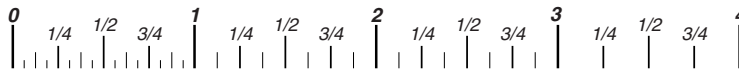
Nut, 1/2-16



Screw, M8- 1.25 x 25

Thread Diameter (mm)
Body Diameter
Distance between threads (mm)
Threads per inch
Body Length (mm)
Body Length (in)

Screw, 1/2- 16 x 2



Standard Hardware Sizing

When a washer or nut is identified as **1/2"** (M8), this is the *Nominal size*, meaning the *inside diameter* is 1/2 inch (8mm metric thread diameter); if a second number is present it represents the *threads per inch* (distance between threads).

When bolt or capscrew is identified as **1/2 - 16 x 2"** (M8 - 1.25 x 50), this means the *Nominal size*, or body diameter is 1/2 inch (8mm metric thread diameter), the second number, 16, represents the *threads per inch*, (1.25 thread diameter). The final number is the body length of the bolt or screw, 2 inches (50mm).

Torque Specification Chart						
FOR STANDARD MACHINE HARDWARE (Tolerance ± 20%)						
Hardware Grade	No Marks SAE Grade 2		SAE Grade 5		SAE Grade 8	
	in/lbs ft/lbs	Nm.	in/lbs ft/lbs	Nm.	in/lbs ft/lbs	Nm.
8-32	19	2.1	30	3.4	41	4.6
8-36	20	2.3	31	3.5	43	4.9
10-24	27	3.1	43	4.9	60	6.8
10-32	31	3.5	49	5.5	68	7.7
1/4-20	66	7.6	8	10.9	12	16.3
1/4-28	76	8.6	10	13.6	14	19.0
5/16-18	11	15.0	17	23.1	25	34.0
5/16-24	12	16.3	19	25.8	29	34.0
3/8-16	20	27.2	30	40.8	45	61.2
3/8-24	23	31.3	35	47.6	50	68.0
7/16-14	30	40.8	50	68.0	70	95.2
7/16-20	35	47.6	55	74.8	80	108.8
1/2-13	50	68.0	75	102.0	110	149.6
1/2-20	55	74.8	90	122.4	120	163.2
9/16-12	65	88.4	110	149.6	150	204.0
9/16-18	75	102.0	120	163.2	170	231.2
5/8-11	90	122.4	150	204.0	220	299.2
5/8-18	100	136	180	244.8	240	326.4
3/4-10	160	217.6	260	353.6	386	525.0
3/4-16	180	244.8	300	408.0	420	571.2
7/8-9	140	190.4	400	544.0	600	816.0
7/8-14	155	210.8	440	598.4	660	897.6
1-8	220	299.2	580	788.8	900	1,244.0
1-12	240	326.4	640	870.4	1,000	1,360.0

NOTES

- These torque values are to be used for all hardware excluding: locknuts, self-tapping screws, thread forming screws, sheet metal screws and socket head setscrews.
- Recommended seating torque values for locknuts:
 - for prevailing torque locknuts - use 65% of grade 5 torques.
 - for flange whizlock nuts and screws - use 135% of grade 5 torques.
- Unless otherwise noted on assembly drawings, all torque values must meet this specification.

Common Hardware Types

Hex Head Capscrew



Washer



Lockwasher

Carriage Bolt



Hex Nut

Wrench & Fastener Size Guide

1/4" Bolt or Nut Wrench—7/16"	5/16" Bolt or Nut Wrench—1/2"	3/8" Bolt or Nut Wrench—9/16"	7/16" Bolt or Nut Wrench (Bolt)—5/8" Wrench (Nut)—11/16"	1/2" Bolt or Nut Wrench—3/4"
M6 Bolt or Nut Wrench—10mm	M8 Bolt or Nut Wrench—13mm	M10 Bolt or Nut Wrench—17mm	M12 Bolt or Nut Wrench—19mm	M14 Bolt or Nut Wrench—22mm



Not for
Reproduction

**IT IS THE POLICY OF BRIGGS & STRATTON CORP. TO IMPROVE ITS PRODUCTS
WHENEVER IT IS POSSIBLE AND PRACTICAL TO DO SO. WE RESERVE THE RIGHT TO
MAKE CHANGES OR ADD IMPROVEMENTS AT ANY TIME WITHOUT INCURRING ANY
OBLIGATION TO MAKE SUCH CHANGES ON PRODUCTS.**

Briggs & Stratton Power Products Group

12301 W. Wirth Street
Wauwatosa, WI, 53222 USA

www.BRIGGSandSTRATTON.com
www.murray.com

© Copyright 2012 by Briggs & Stratton Corporation
Milwaukee, WI, USA. All rights reserved