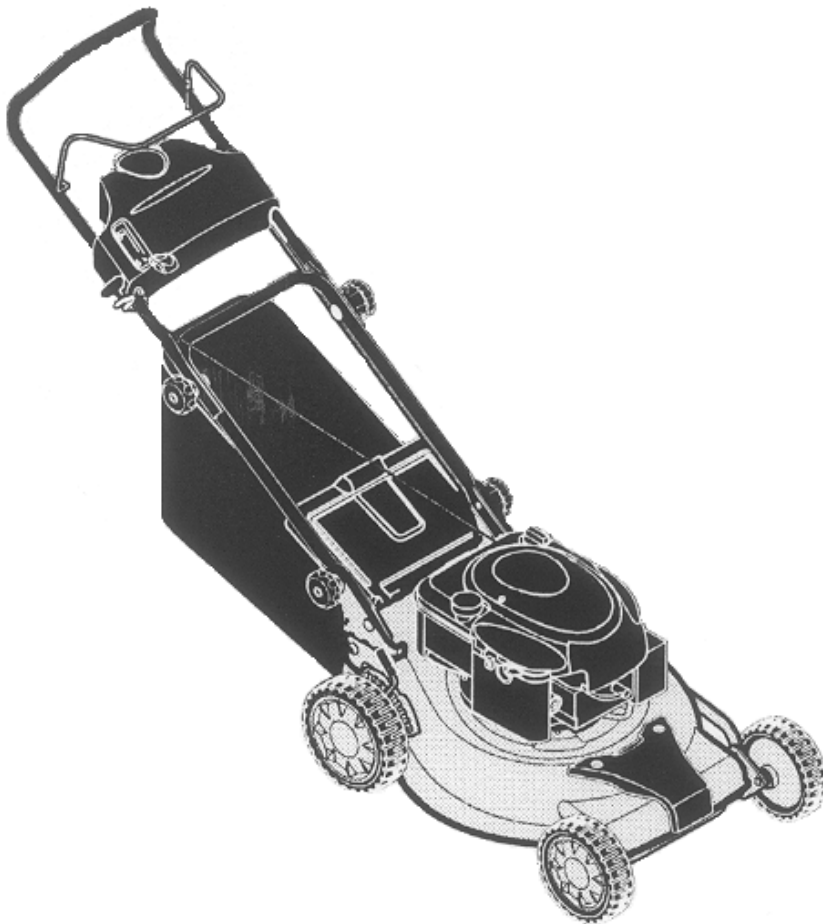


Parts Manual for
SNAPPER®

**19" EUROPEAN PUSH
WALK BEHIND MOWER**

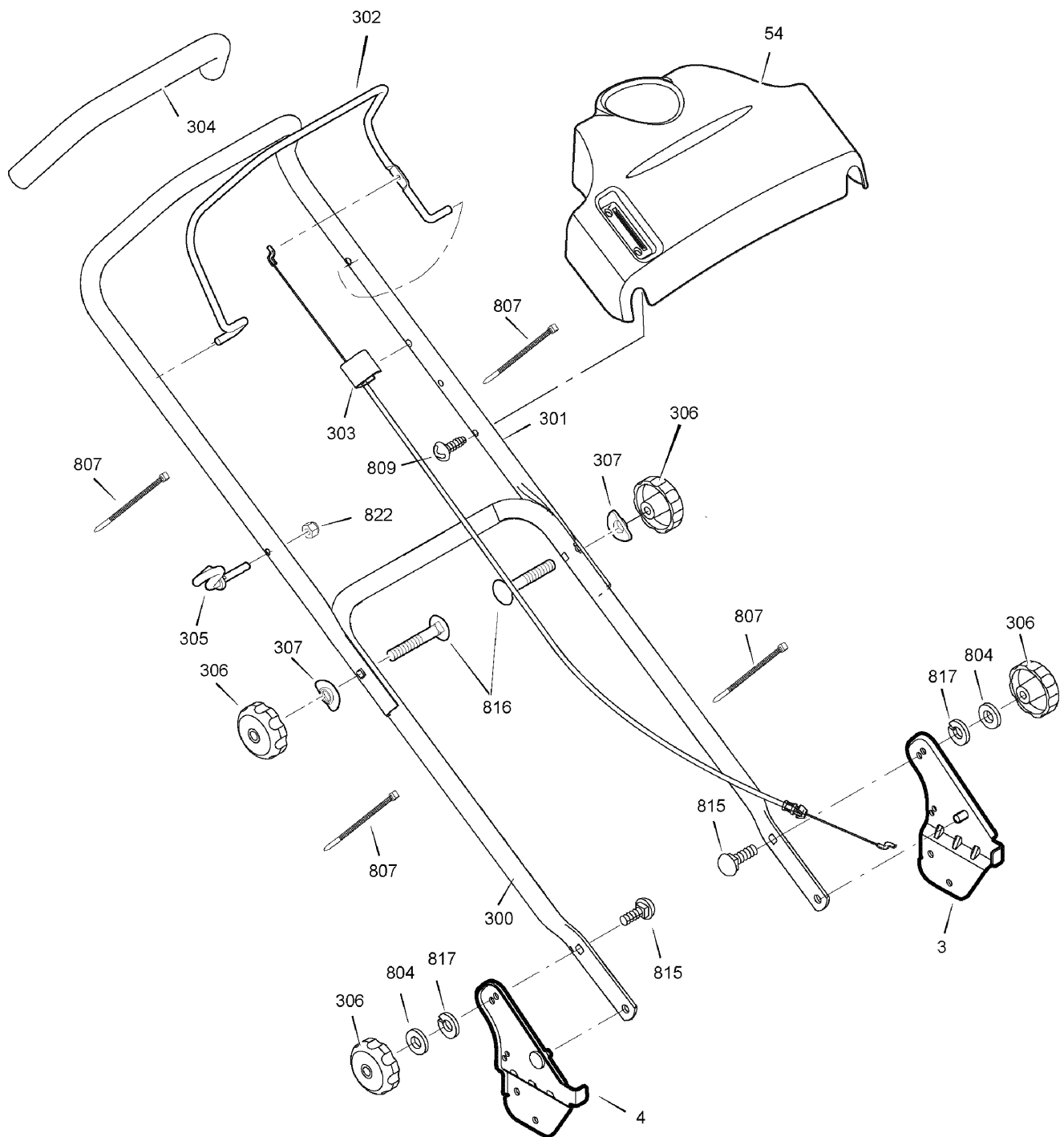
<i>Model No.</i>	<i>Description</i>
880747X120	ERDP19550



Briggs & Stratton Yard Power Products Group
535 Macon Road
McDonough, GA, 30253 U.S.A.
800-935-2967

Manual No. 881016
Revision: A 11/10/2009

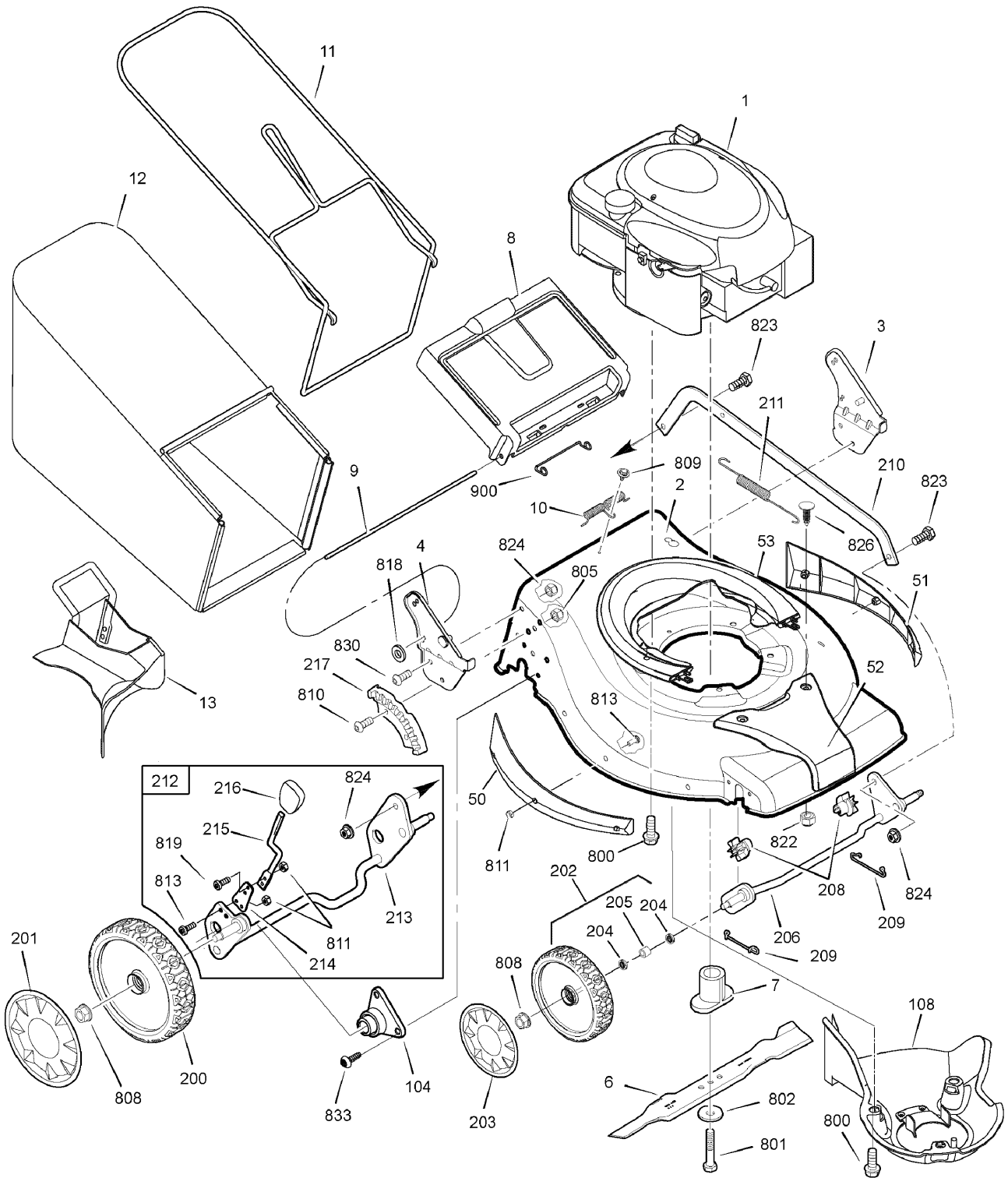
PAGE	GROUP
4	Handle Assembly
6	Deck & Engine Group



Handle Assembly

Item	Part No	Qty	Description
3	700176	1	BRACKET ASSEMBLY, Left Handle
4	700177	1	BRACKET ASSEMBLY, Right Handle
54	700165	1	CONTROL PANEL
300	700222	1	HANDLE, Lower
301	700184	1	HANDLE, Upper
302	700101	1	LEVER, Engine Stop
303	700158	1	CABLE, Engine Stop
304	700263	1	TUBING, Foam
305	724994	1	GUIDE, Rope
306	721800	1	KNOB, Adjuster
307	700148	1	WASHER, Formed
804	700150	1	WASHER, 5/8
807	700010	1	CABLE TIE
809	722856	1	SCREW, Self Tap, #10-16 x 1/2
815	700146	1	BOLT, Carriage, 5/16-18 x 1-1/8
816	720055	1	BOLT, Carriage, 5/16-18 x 2
817	700078	1	Washer, Lock
822	722393	1	NUT, Hex, 1/4-20

Footnotes:

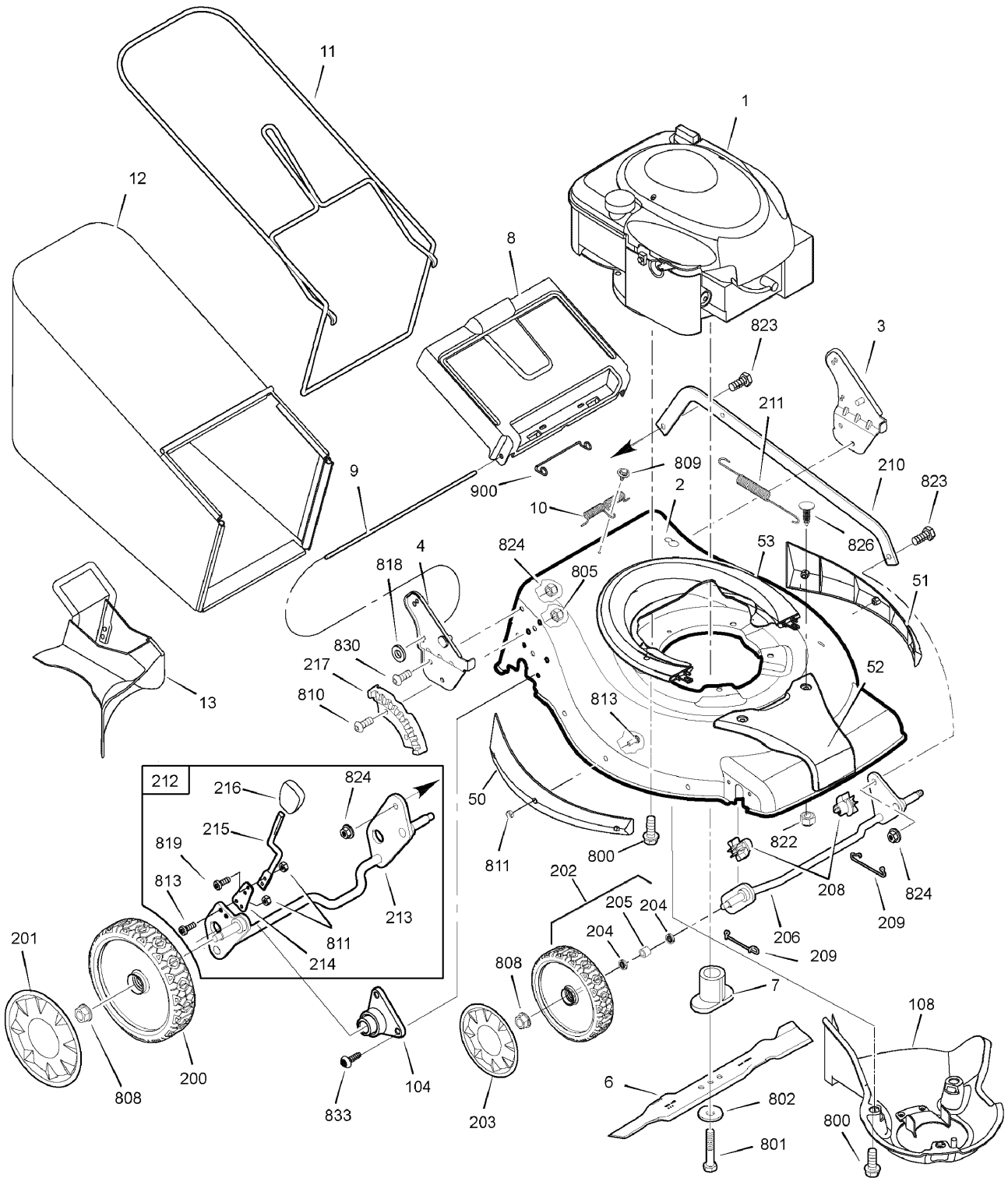


Deck & Engine Group

Item	Part No	Qty	Description
1	10T802-0140-B1	1	* ENGINE, B&S 550 Series EU
2	880863	1	MOWER HOUSING
3	700176	1	BRACKET ASSEMBLY, Left Handle
4	700177	1	BRACKET ASSEMBLY, Right Handle
6	700162	1	BLADE, 16 in
7	700000	1	BLADE ADAPTER ASSEMBLY
8	700099	1	DOOR, Rear
9	700095	1	ROD, Rear Door
10	700001	1	SPRING, Torsion Rear Door
11	700262	1	FRAME ASSEMBLY
12	700261	1	BAG ASSEMBLY
13	880913	1	MULCH PLUG
50	700106	1	SIDE GUARD, Right
51	700105	1	SIDE GUARD, Left
52	700179	1	HOUSING COVER, Front
53	700180	1	HOUSING COVER, Rear
104	880786	1	SLEEVE ASSEMBLY, Rear Axle
108	700234	1	BELT COVER ASSEMBLY
200	700204	1	WHEEL, Rear
201	700174	1	HUBCAP, Rear
202	700211	1	WHEEL, Front, Complete (Includes Ref. Nos. 204 & 205)
203	700173	1	HUBCAP, Front
204	880175	4	WHEEL BEARING
205	880176	2	SPACER
206	700061	1	CROSSBAR ASSEMBLY, Front
208	700059	1	BUSHING, Front Crossbar
209	700071	1	SPRING, Clip Crossbar
210	700212	1	LINK, Single Lever
211	700073	1	SPRING, Extension
212	880828	1	CROSSBAR ASSEMBLY, Rear
213	880929	1	REAR CROSSBAR
214	700164	1	SPRING, Adjuster
215	700243	1	LEVER, Height Adjustment
216	700108	1	KNOB, Adjuster
217	700118	1	BRACKET, Height Adjuster
800	720044	1	SCREW, Hex Head, 3/8-16 x 1
801	700111	1	BOLT, Blade, 3/8-24 x 2

Footnotes:

NOTE: * Purchase engine parts from engine manufacturer dealer.



Deck & Engine Group

Item	Part No	Qty	Description
802	721890	1	WASHER, Belleville
805	700002	2	NUT, Nylock, M8 x 1-1/4
808	720142	1	NUT, Flange, 3/8-16
809	722856	1	SCREW, Self Tap, #10-16 x 1/2
810	700081	1	BOLT, Hex Key Head
811	700103	1	NUT, Nylock
813	700122	1	SCREW, Torx Head, M5 x .8 x 14mm
818	700156	1	NUT, Speed
819	700218	1	SCREW, Torx Head, M5 x .8 x 12.5mm
822	722393	1	NUT, Hex, 1/4-20
823	700217	1	BOLT, Shoulder, 5/16-18 x 1
824	720145	1	Nut, Flange, 5/16-18
826	700248	1	SCREW, 1/4-20 x 7/8
830	727291	1	SCREW, 5/16-18 x 3/4
833	880845	1	SCREW, Torx, 1/4-20 x 5/8
900	880910	1	SPRING CLIP, Rear Door
1000	700276	1	DECAL KIT (not shown)
1001	700285	1	MANUAL KIT (not shown)

Footnotes:

NOTE: * Purchase engine parts from engine manufacturer dealer.

Parts Manual for

SNAPPER®

19" EUROPEAN PUSH WALK BEHIND MOWER

IT IS THE POLICY OF BRIGGS & STRATTON CORP TO IMPROVE ITS PRODUCTS WHENEVER IT IS POSSIBLE AND PRACTICAL TO DO SO. WE RESERVE THE RIGHT TO MAKE CHANGES OR ADD IMPROVEMENTS AT ANY TIME WITHOUT INCURRING ANY OBLIGATION TO MAKE SUCH CHANGES ON PRODUCTS

Briggs & Stratton Yard Power Products Group

535 Macon Road
McDonough, GA, 30253 U.S.A.
800-935-2967

www.snapper.com

Copyright © 2009 Briggs & Stratton Corporation
Milwaukee, WI USA. All Rights Reserved

Manual No. 881016
Revision: A 11/10/2009