

ALPINA

AT4 98 HA (2024)

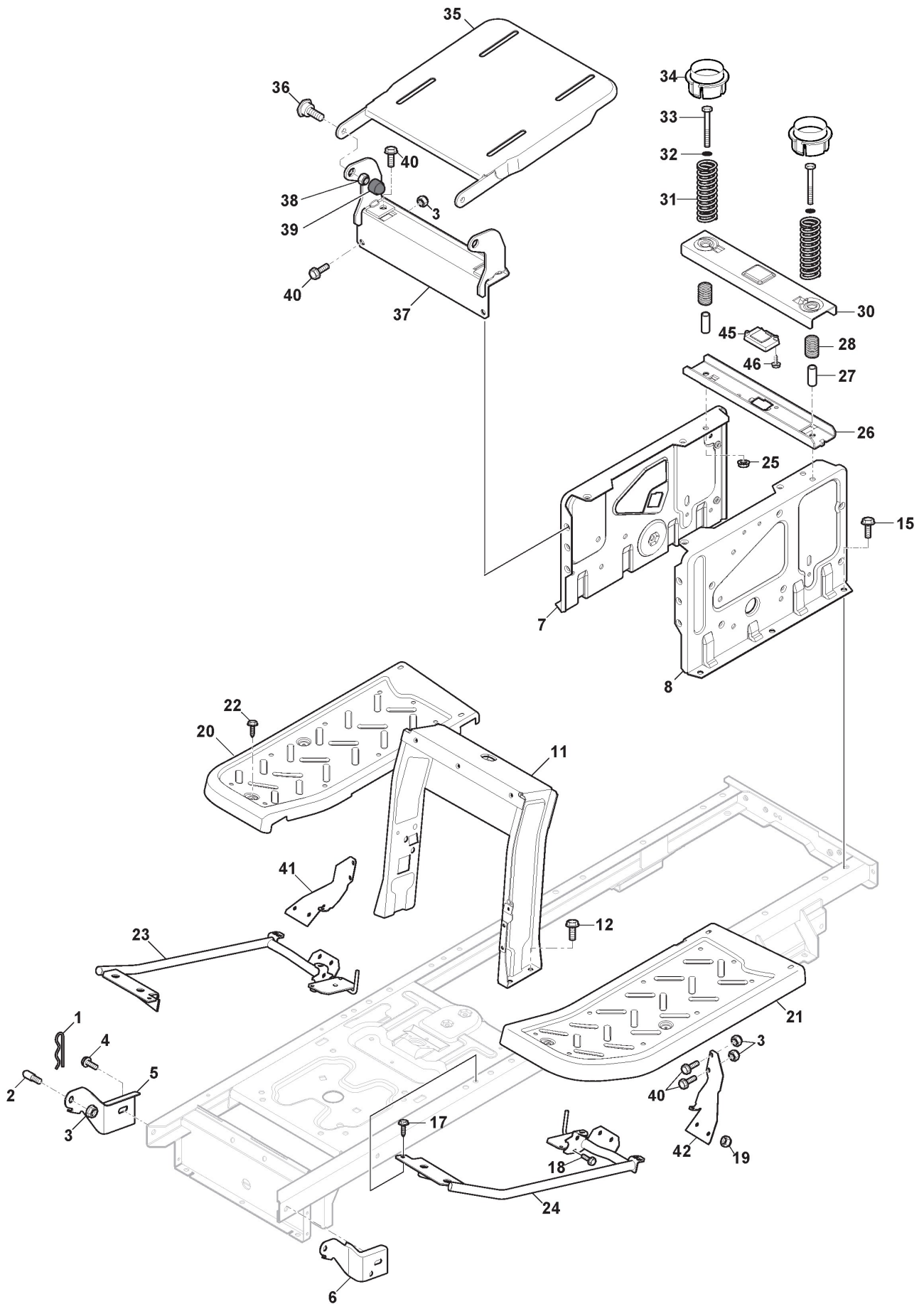
2T2610404/A22



Spare parts list Reservdelar Repuestos Ersatzteile Pièces détachées Reserve onderdelen Catalogo ricambi

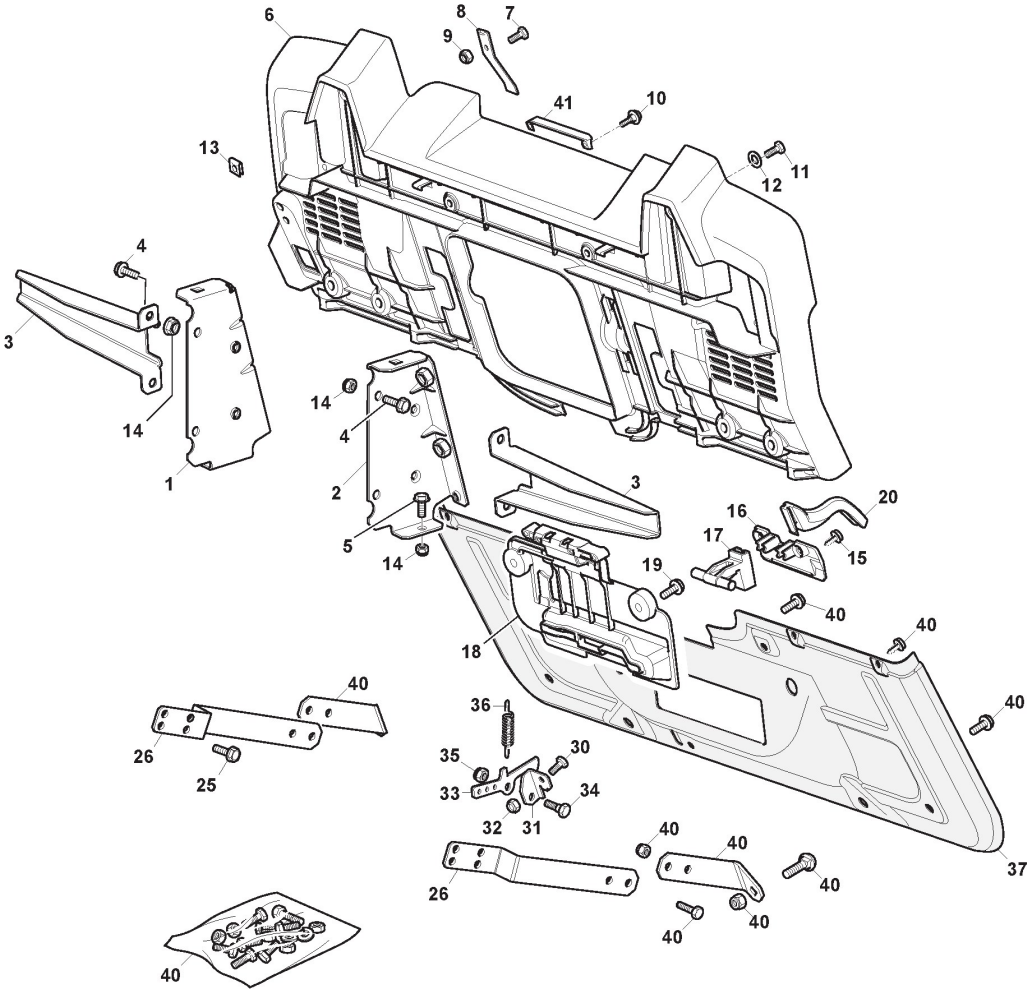
- Use ST. S.p.A. Genuine Spare Parts specified in the parts list for repair and/or replacement.
- The contents described in the parts list may change due to improvement.
- The drawings of the spare parts are only indicative And might Not represent the part in question exactly.
- The indications "right" - "left" - "front" - "rear" refer to the position of the operator when using the machine.
- When placing orders of parts for repair And/Or replacement, make sure that the illustrated parts list Is the one applying to the machine's year of manufacture, as shown on the identification plate attached to the machine.

All rights reserved. No part Of this material may be reproduced Or transmitted, in any form Or by any means, electronic Or mechanical, including photocopying, recording Or by any information storage And retrieval system, without permission in writing from ST. S.p.A.



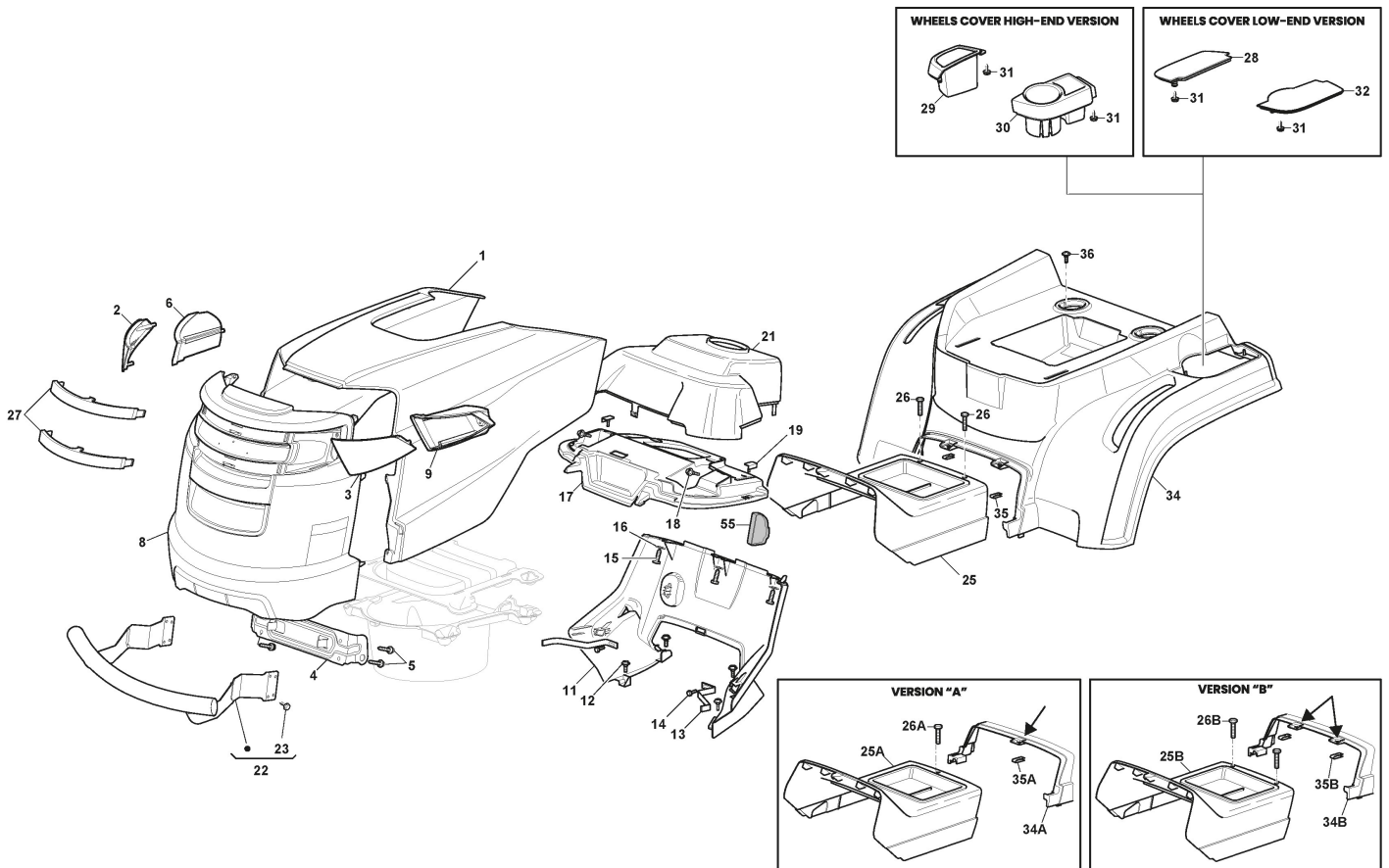
Frame - From S/N 23DA3RON002449

Zn. c.	Množ.	Kód výrobku	Popis	Poznámky	From	Až do
1	1	124487998/0	Cotter Pin			
2	2	125510169/1	Pin			
3	10	112155000/0	Nut			
4	2	112735402/0	Screw			
5	1	325547225/0	Right Plate			
6	1	325547227/0	Left Plate			
7	1	325785331/2	Right Seat Support			
8	1	325785333/2	Left Seat Support			
11	1	382785169/1	Steering Column Support			
12	4	125943009/0	Screw			
15	6	125943009/0	Screw			
17	2	125943009/0	Screw			
18	2	125943009/0	Screw			
19	10	112155000/0	Nut			
20	1	325500050/0	Right Footboard			To S/N 24AA3RON 001122
20	1	325500050/1	Right Footboard		From S/N 23LA3RON 004399	
21	1	325500051/0	Left Footboard			To S/N 24AA3RON 001122
21	1	325500051/1	Left Footboard		From S/N 23LA3RON 004399	
22	4	112735402/0	Screw			
23	1	382785223/1	Footboard Support			To S/N 24AA3RON 001122
23	1	382785223/2	Footboard Support		From S/N 23LA3RON 004399	
24	1	382785221/1	Footboard Support			To S/N 24AA3RON 001122
24	1	382785221/2	Footboard Support		From S/N 23LA3RON 004399	
25	2	112293201/0	Nut			
26	1	325820109/1	Seat Support			
27	2	125160048/0	Spacer			
28	2	125430263/0	Spring			
30	1	325820113/0	Seat Switch Support Bar			
31	2	125430264/1	Spring			
32	2	112521350/0	Washer			
33	2	112691400/0	Screw			
34	2	325600148/0	Hood			
35	1	382547061/1	Plate			
36	2	122524970/3	Pin			
37	1	382820151/3	Seat Support			
38	2	112155010/0	Nut			
39	2	118203854/0	Cap			
40	8	125943009/0	Screw			
41	1	325650155/2	Support			
42	1	325650157/2	Support			
45	1	325785379/1	Support			
46	2	112728697/0	Screw			



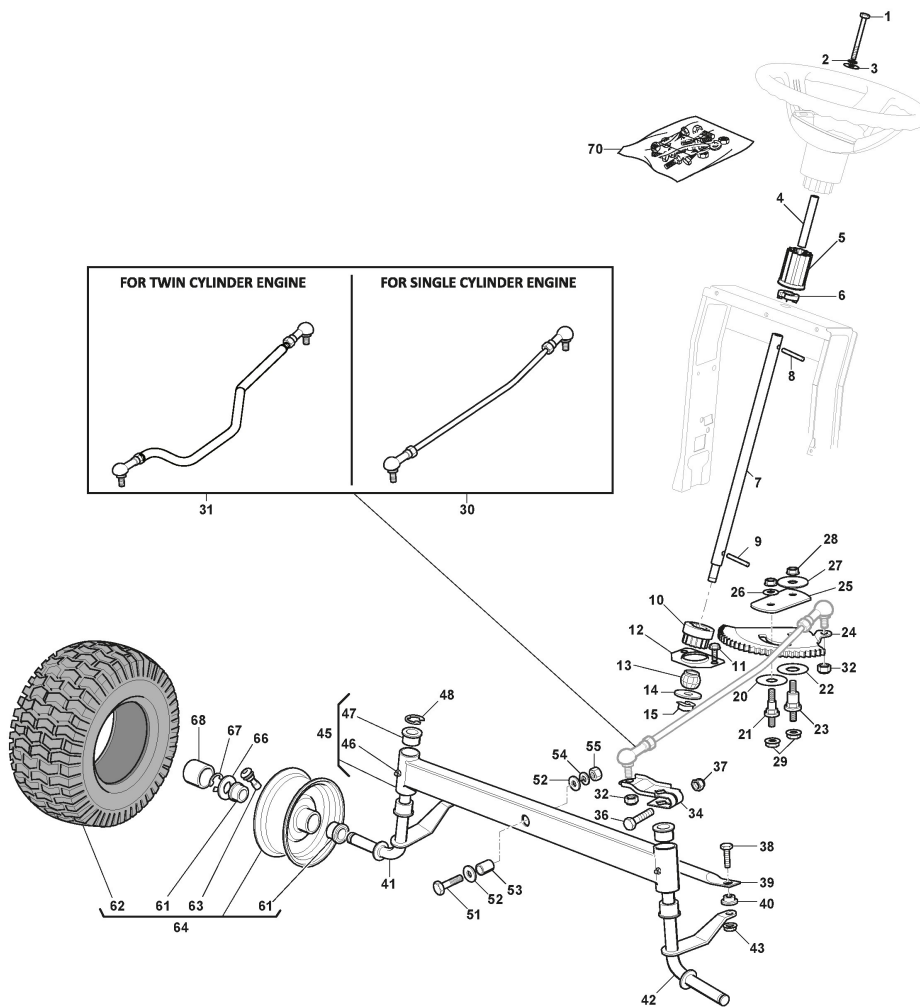
Frame - Rear Plate

Zn. c.	Množ.	Kód výrobku	Popis	Poznámky	From	Až do
1	1	325774501/0	Clamp			
2	1	325774507/1	Left Clamp Bracket			
3	2	325650163/0	Stiffening			
4	8	125943009/0	Screw			
5	2	125943009/0	Screw			
6	1	325547299/2	Rear Plate, Upper Part			
7	1	112789021/0	Screw			
8	1	127430600/0	Spring			
9	1	112154330/0	Nut			
10	3	125943010/0	Screw			
11	6	112789021/0	Screw			
12	6	112523020/0	Washer			
13	6	112437503/0	Plate			
14	10	112155000/0	Nut			
15	2	112728697/0	Screw			
16	1	325109522/0	Protection Cover			
17	1	325318276/0	Gearshift			
18	1	325785428/0	Support			
19	2	125943010/0	Screw			
20	1	325318277/0	Lever	Also on endowment p40		
25	4	112793102/0	Screw			
26	2	325774521/0	Clamp			
30	1	112789021/0	Screw			
31	1	325755061/0	Bracket			
32	1	112154330/0	Nut			
33	1	325774533/0	Clamp			
34	1	125510080/2	Pin			
35	1	112154510/0	Nut			
36	1	125430282/1	Spring			
37	1	382547071/1	Plate			
40	1	382180146/0	Outfit, Screws			
41	1	325600107/0	Micro Protection			



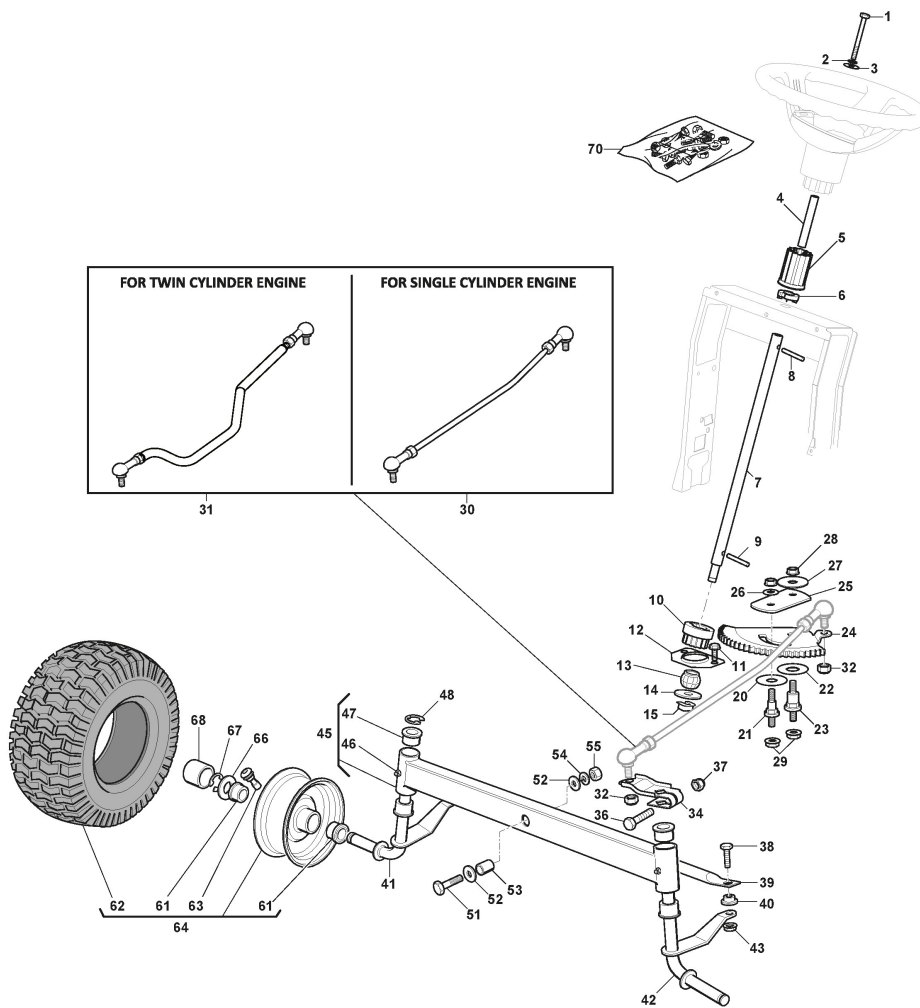
Bodywork

Zn. c.	Množ.	Kód výrobku	Popis	Poznámky	From	Až do
1	1	325076913/0	Engine Hood Black			
2	1	325410941/0	Right Headlight Transparent			
3	1	325410942/0	Left Headlight Transparent			
4	1	325785365/0	Engine Hood Support			
5	4	112735402/0	Screw			
6	1	325785599/0	Right Lamp Support			
8	1	325077016/1	Hood Front, Black			
9	1	325785600/0	Left Lamp Support			
11	1	325785298/0	Dashboard Support			
12	4	112728697/0	Screw			
13	2	325270325/0	Guide			
14	2	112735120/0	Screw			
15	3	112735406/0	Screw			
16	3	112523040/0	Washer			
17	1	325120259/2	Dashboard			
18	2	125943010/0	Screw			
19	2	325260003/0	Grommet			
21	1	325120203/1	Cover			
22	1	382869037/0	Muffler Protection			
23	1	112735599/0	Screw			
25	1	325110541/0	Black Central Cover	1 Fixing Hole - Version A		
25	1	325110548/0	Black Central Cover	2 Fixing Holes - Version B		
26	2	125943010/0	Screw	Version B		
26	1	125943010/0	Screw	Version A		
27	2	325076955/0	Frontal Moulding			
28	1	325207197/1	Cover			
29	1	325207198/1	Cover			
30	1	325207199/1	Cover			
31	4	112735402/0	Screw			
32	1	325207196/1	Cover			
34	1	325110435/1	Black Wheels Cover	1 Hook - Version A		
34	1	325110435/2	Black Wheels Cover	2 Hooks - Version B		
35	1	112437506/0	Plate	Version A		
35	2	112437506/0	Plate	Version B		
36	2	125943010/0	Screw			
55	1	325207191/1	Plate	Not needed for Hydro Models		



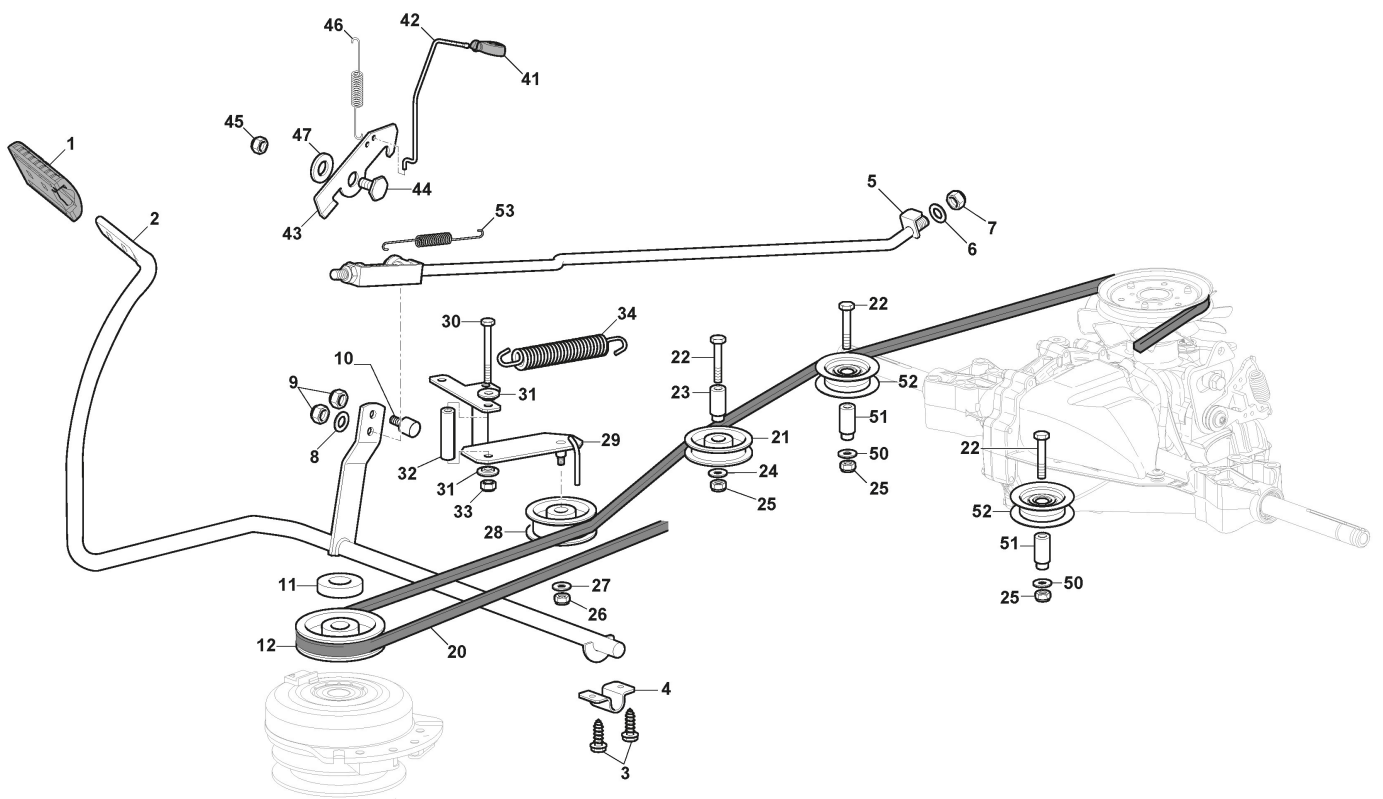
Steering

Zn. c.	Množ.	Kód výrobku	Popis	Poznámky	From	Až do
1	1	112692050/0	Screw			
2	1	112540260/0	Washer			
3	1	112523070/0	Washer			
4	1	125160047/0	Spacer			
5	1	325785318/0	Support			
6	1	325038008/0	Bushing			
7	1	125520007/0	Steering Column			
8	1	112620300/0	Spring			
9	1	112622650/0	Dowel pin			
10	1	125570003/0	Pinion			
11	2	127943054/0	Screw			
12	1	325785213/1	Support			
13	1	325743000/0	Joint			
14	1	112521370/0	Washer			
15	1	112436030/0	Plate			
20	1	322672151/0	Antifriction Washer			
21	1	125510173/0	Pin			
22	1	125670023/0	Washer			
23	1	125510165/0	Pin			
24	1	325735519/0	Steering Sector			
25	1	325547233/0	Plate			
26	1	112369500/0	Elastic Washer			
27	1	122160400/0	Elastic Disc			
28	2	112155010/0	Nut			
29	2	112155010/0	Nut			
30	1	382000566/2	Steering Rod	for Single Cylinder Engine		
32	2	112156602/0	Nut			
34	1	382318323/0	Steering Control Lever			
36	1	112692395/2	Screw			
37	1	112155020/0	Nut			
38	2	125510103/0	Pin			
39	1	325840029/0	Tie Rod			
40	2	325038007/0	Bushing			
41	1	382230373/1	Right Stub Axle	15"		
42	1	382230375/1	Left Stub Axle	15"		
43	2	112155000/0	Nut			
45	1	382034030/0	Equalizer With Bush And Lubricator			
46	2	112379511/0	Grease Dispenser			
47	4	125034002/1	Bushing			
48	1	112001010/0	Benzing Ring			
51	1	112692695/0	Screw			
52	2	112523100/0	Washer			
53	1	125160016/1	Spacer			
54	1	112587100/0	Grower			
55	1	112295300/0	Nut			
61	4	125122200/2	Bearing			
62	2	125590019/0	Tyre	15"		
63	2	125950000/0	Valve			



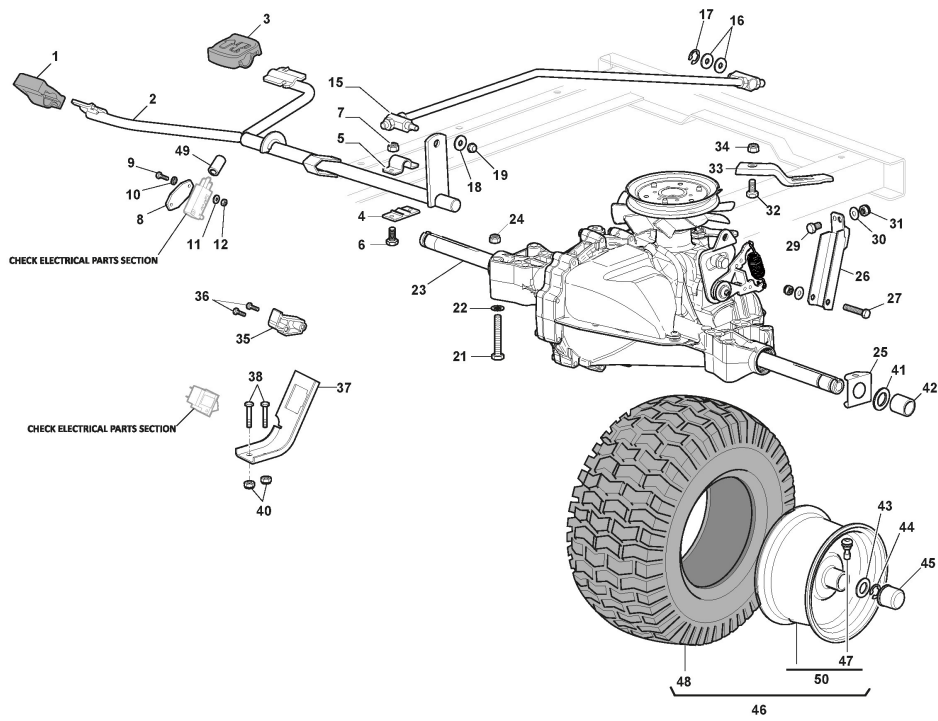
Steering

Zn. c.	Množ.	Kód výrobku	Popis	Poznámky	From	Až do
64	2	382680102/0	Wheel Assy	15" - P512		
66	2	125670005/2	Washer			
67	2	112001010/0	Benzing Ring			
68	2	322110233/0	Hub Cover	Standard Black Cover		
70	1	382180142/0	Outfit, Screws	Pos 1-4 incl.		



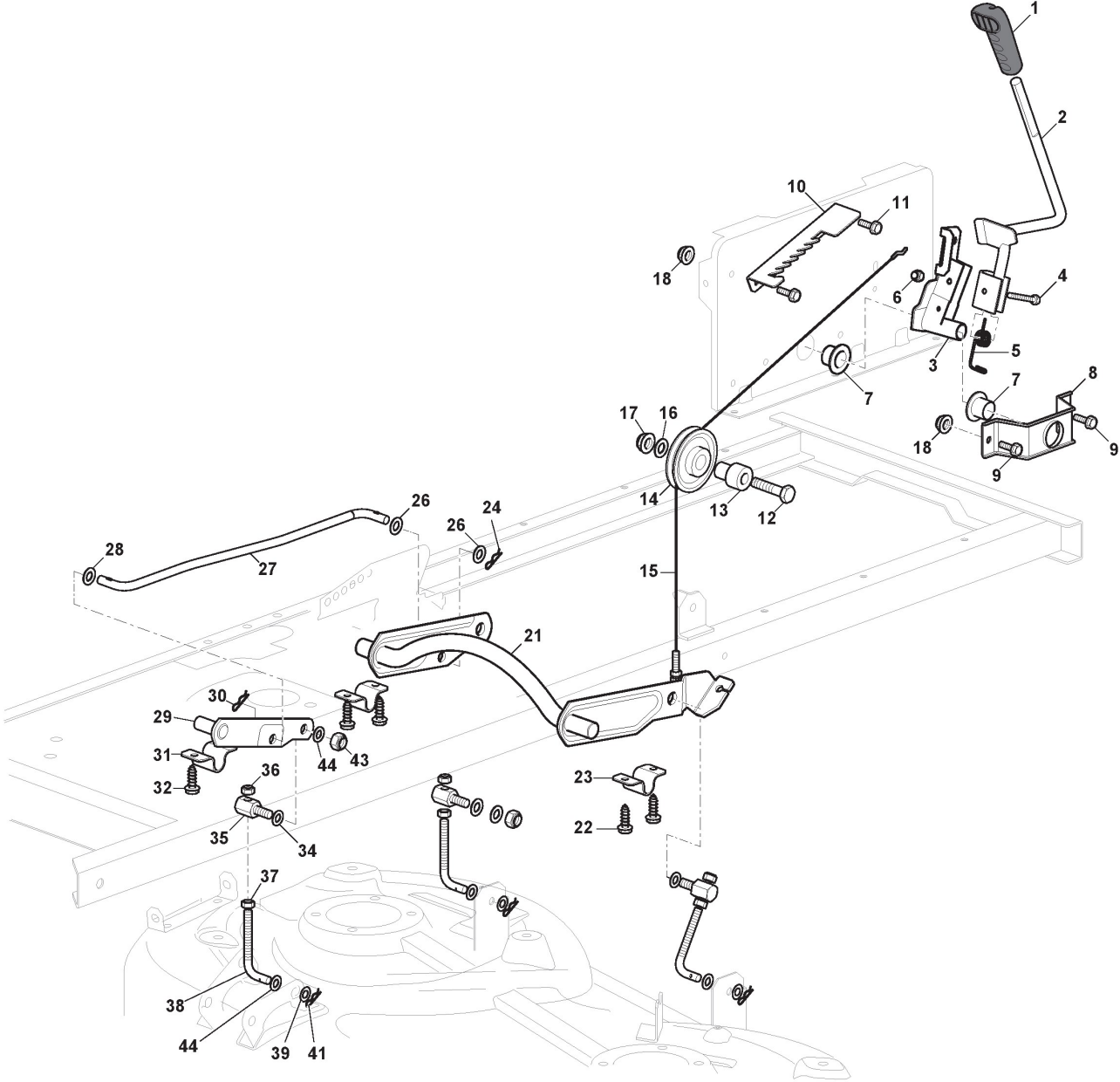
Brake And Gearbox Controls

Zn. c.	Množ.	Kód výrobku	Popis	Poznámky	From	Až do
1	1	325110409/0	Clamp Cover			
2	1	382000641/1	Pedal			
3	4	112735599/0	Screw			
4	2	325547231/1	Plate			To S/N 00510RON
4	2	325547467/0	Lifting Deck Axle Plate		From S/N 23FA3RON 000142	To S/N 00510RON
5	1	382000636/0	Rod			
5	1	382000636/1	Brake Rod Assy		From S/N 21KA3RON 002082	
6	1	112521360/0	Washer			
7	1	112156602/0	Nut			
8	1	325670011/0	Antifriction Washer			
9	2	112155000/0	Nut			
10	1	125510166/0	Pin			
11	1	125160021/0	Spacer			
12	1	125601577/0	Pulley			
20	1	135062020/1	Trapezoidal Belt			
21	1	125601613/0	Pulley	(Plastic)		
21	1	325601599/0	Pulley	(Steel)		
22	3	112691400/0	Screw			
23	1	125160107/0	Spacer			
24	3	112523060/0	Washer			
25	3	112155000/0	Nut			
26	1	112155000/0	Nut			
27	1	112523060/0	Washer			
28	1	125601554/0	Pulley			
29	1	382318245/1	Tightener Lever			
30	1	112691600/0	Screw			
31	2	125038021/0	Bushing			
32	1	125160027/0	Spacer			
33	1	112155000/0	Nut			
34	1	125430262/0	Spring			
41	1	125394509/1	Knob			
42	1	125033113/0	Rod			
43	1	325253011/1	Hook			
44	1	122524970/3	Pin			
45	1	112155000/0	Nut			
46	1	125430213/0	Spring			
47	1	112523060/0	Washer			
50	2	112521350/0	Washer			
51	2	125160111/0	Spacer			
52	2	125601608/0	Pulley	(Steel)		
52	2	125601612/0	Pulley	(Plastic)		
53	1	125430269/1	Spring			To S/N 00510RON
53	1	125430269/2	Spring		From S/N 22AA3RON 021449	



Hydrostatic Transmission - Loncin

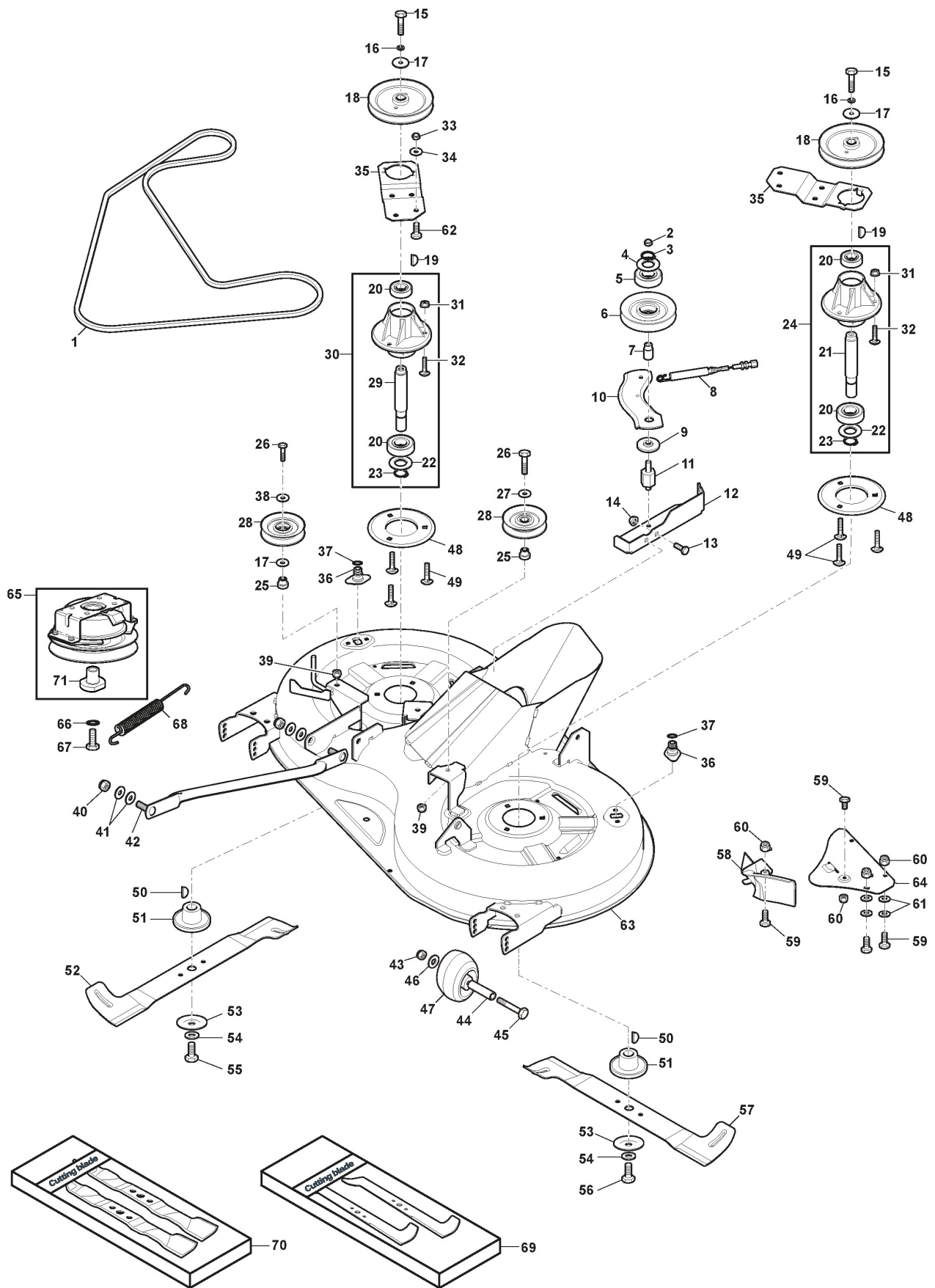
Zn. c.	Množ.	Kód výrobku	Popis	Poznámky	From	Až do
1	1	325110274/0	Clamp Cover Front			
2	1	382000574/2	Drive Pedal			
3	1	325110331/0	Clamp Cover Rear			
4	2	325785350/0	Support			
5	2	325547467/0	Lifting Deck Axle Plate			
6	4	112791400/0	Screw			
7	4	112154510/0	Nut			
8	1	327546019/0	Neutral Switch Fixing Plate			
9	2	112735602/0	Screw			
10	2	112540020/0	Washer			
11	2	112581100/0	Grower			
12	2	112290791/0	Nut			
15	1	382000573/2	Drive Rod Assy			
16	2	325670011/0	Antifriction Washer			
17	1	112000940/0	Benzing Ring			
18	1	112523040/0	Washer			
19	1	112154510/0	Nut			
21	4	112691600/0	Screw			
22	4	112521350/0	Washer			
23	1	118401021/0	Hydrostatic Transmission			
24	4	112155000/0	Nut			
25	2	325670026/0	Washer			
26	1	325785349/1	Support			
27	1	112691800/0	Screw			
29	1	112792611/0	Screw			
30	2	112523060/0	Washer			
31	2	112155000/0	Nut			
32	1	112791400/0	Screw			
33	1	325318251/0	Lever			
34	1	112154510/0	Nut			
35	1	325060034/1	Cam			
36	2	112735402/0	Screw			
37	1	325774573/0	Clamp			
38	2	112791400/0	Screw			
40	2	112154510/0	Nut			
41	2	125670005/2	Washer			
42	2	125160058/2	Spacer			
43	6	125670005/2	Washer			
44	2	112001000/0	Benzing Ring			
45	2	322110233/0	Hub Cover	Standard Black		
46	2	382680104/0	Wheel Assy			
47	2	125950000/0	Valve			
48	2	125590001/0	Rear Tyre	Not for WANDA wheels assy		
49	1	118203851/0	Cap			
50	2	182001509/1	Rimm	Dark Grey Rimm		



Cutting Plate Lifting

Zn. c.	Množ.	Kód výrobku	Popis	Poznámky	From	Až do
1	1	325394533/0	Knob			
2	1	382318255/0	Lever			
3	1	382318231/1	Lifting Axle Assy			
4	1	112674700/0	Screw			
5	1	125430261/0	Spring			
6	1	112154510/0	Nut			
7	2	325038006/0	Bushing			
8	1	325785297/0	Support			
9	2	112792611/0	Screw			
10	1	325735515/0	Steering Sector			
11	2	112792611/0	Screw			
12	1	112793701/0	Screw			
13	1	125040636/1	Bushing			
14	1	125601579/0	Pulley			
15	1	382004620/0	Wire			
16	1	112523060/0	Washer			
17	1	112293201/0	Nut			
18	4	112155000/0	Nut			
21	1	382318297/1	Axle			
22	4	112735599/0	Screw			
23	1	325547231/1	Plate			To S/N 23FA3RON 000141
23	1	325547467/0	Lifting Deck Axle Plate		From S/N 23FA3RON	
24	1	124487997/0	Cotter Pin			
26	2	325670010/0	Antifriction Washer			
27	1	125033109/0	Connecting Rod			
28	1	325670010/0	Antifriction Washer			
29	1	382318293/1	Axle			
30	1	124487997/0	Cotter Pin			
31	1	325547231/1	Plate			To S/N 23FA3RON 000141
31	1	325547467/0	Lifting Deck Axle Plate		From S/N 23FA3RON	
32	2	112735599/0	Screw			
34	3	325670008/1	Washer			
35	3	125510170/0	Pin			
36	3	112156602/0	Nut			
37	3	112295200/0	Nut			
38	1	125840012/1	Tie Rod			
39	3	325670008/1	Washer			
41	3	124487998/0	Cotter Pin			
43	3	112156602/0	Nut			
44	6	112521360/0	Washer			

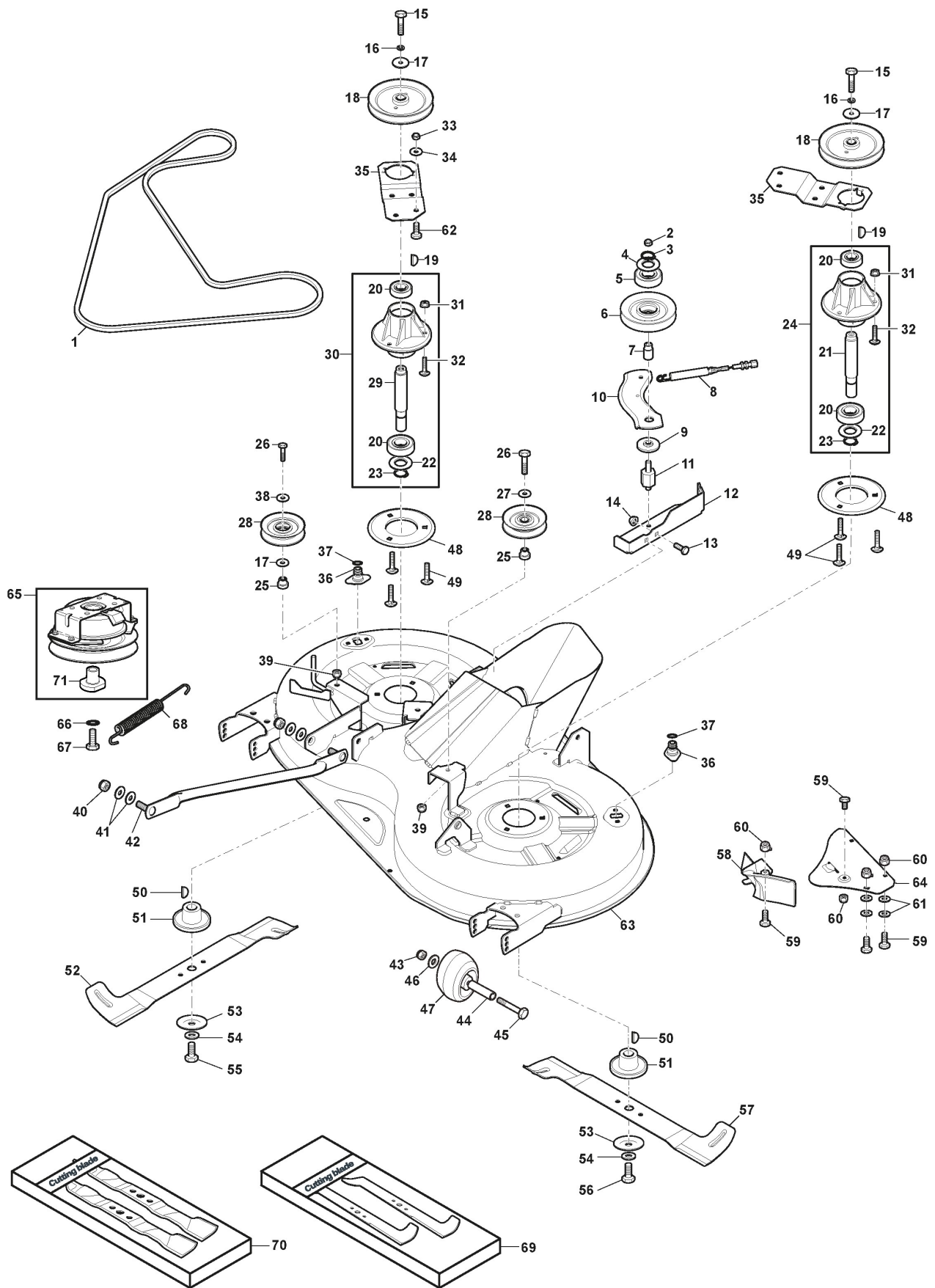
Cutting Plate with Electromagnetic Clutch



Cutting Plate with Electromagnetic Clutch

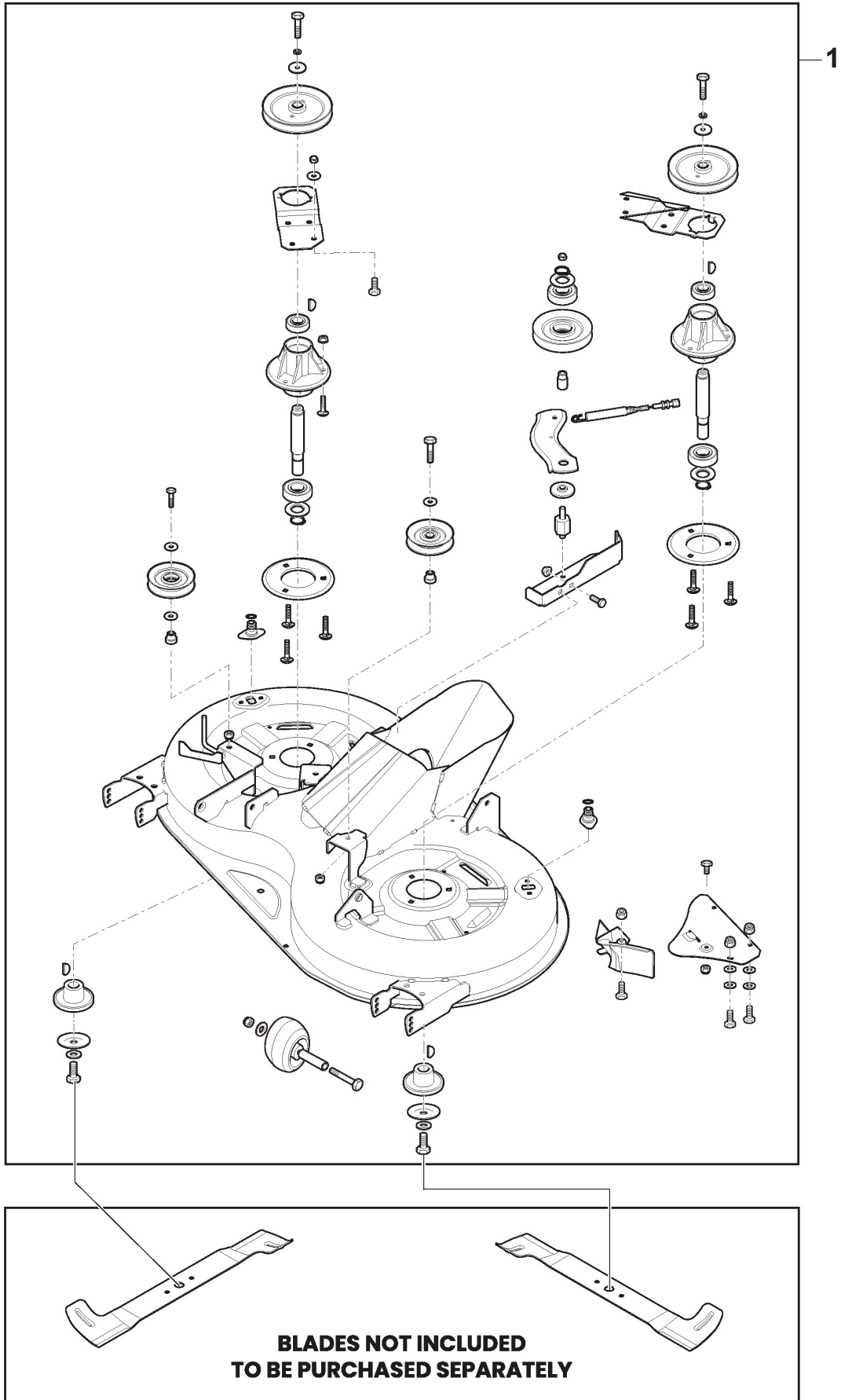
Zn. c.	Množ.	Kód výrobku	Popis	Poznámky	From	Až do
1	1	135061509/0	V-Belt			
2	1	112293201/0	Nut			
3	1	112524010/0	Washer			
4	1	112610800/0	Seeger			
5	1	119216048/0	Bearing			
6	1	125601595/0	Pulley			
7	1	125160052/0	Spacer			
8	1	382004618/0	Wire			
9	1	125040635/0	Bushing			
10	1	325318343/0	Lever			
11	1	125160049/0	Spacer			
12	1	325785391/0	Bracket			
13	2	112818690/0	Screw			
14	2	112154210/0	Nut			
15	2	112793102/0	Screw			
16	2	112540260/0	Washer			
17	2	125670007/0	Washer			
18	2	125601604/0	Pulley			
19	2	112139480/0	Feather			
20	4	119216047/0	Bearing			
21	1	125020804/0	Shaft			
22	2	325160501/1	Dust Cover Disc			
23	2	112609260/0	Seeger			
24	1	382207204/1	Flange Assy			
25	2	125160110/0	Spacer			
26	2	112691115/0	Screw			
27	2	112524010/0	Washer			
28	2	125601613/0	Pulley	(Plastic)		
28	2	325601599/0	Pulley	(Metal)		
29	1	125020805/0	Shaft			
30	1	382207205/1	Flange Assy			
31	6	112154210/0	Nut			
32	6	112818690/0	Screw			
33	1	112154210/0	Nut			
34	1	112523060/0	Washer			
35	1	325774617/0	Stiffening			
36	2	325033086/0	Water Hose Connection			
37	2	119035000/0	Or Ring			
38	1	112523060/0	Washer			
39	3	112293201/0	Nut			
40	4	112156602/0	Nut			
41	8	325670008/1	Washer			
42	2	382000565/1	Equalizer Rod			
43	2	112293201/0	Nut			
44	2	125160072/0	Spacer			
45	2	112692100/0	Screw			
46	2	112521350/0	Washer			
47	2	182700005/0	Anti Scalp Wheel Ø 90	ø90		To S/N 22FA3RON

Cutting Plate with Electromagnetic Clutch



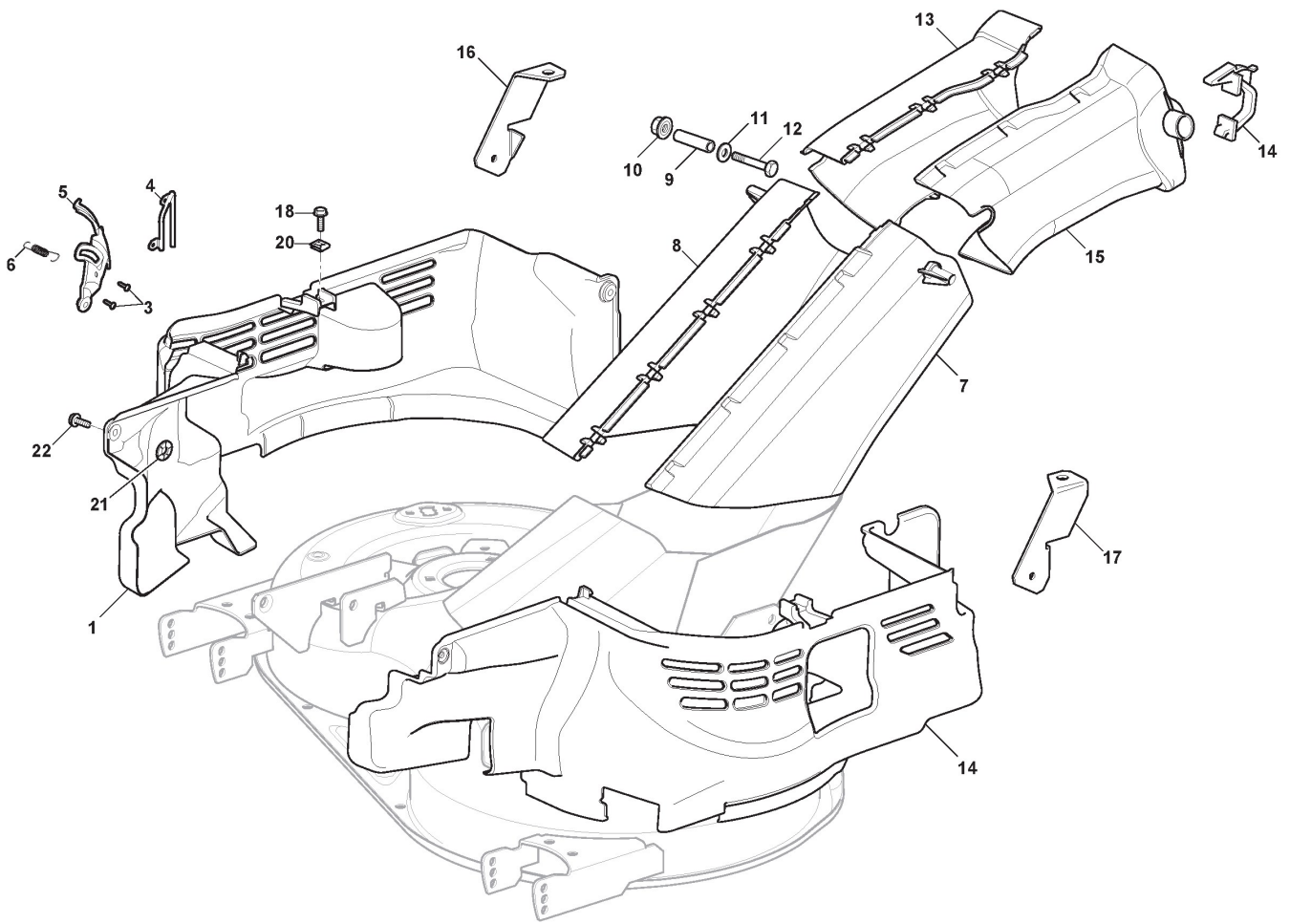
Cutting Plate with Electromagnetic Clutch

Zn. c.	Množ.	Kód výrobku	Popis	Poznámky	From	Až do
47	2	182700006/0	Anti Scalp Wheel Ø95	ø95	From S/N 22FA3RON 001030	
48	2	325160505/0	Disc			
49	6	112818700/0	Screw			
50	2	112139100/0	Key			
51	2	1134-9159-01	Blade Holder	with STIGA Pack		
51	2	125463200/0	Blade Hub	without Pack		
52	1	182004362/0	Right Blade, Winged	Winged		
52	1	182004364/0	Right Mulching Blade	Mulching		
53	2	122160400/0	Elastic Disc			
54	2	112523080/0	Washer			
55	1	112735695/1	Screw			
56	1	112735694/0	Screw			
57	1	182004346/0	Mulching Blade	Mulching		
57	1	182004363/0	Left Blade, Winged	Winged		
58	1	325140111/0	Deflector			
59	3	112791400/0	Screw			
60	6	112154510/0	Nut			
61	4	112523040/0	Washer			
62	1	112793102/0	Screw			
63	1	382564118/1	Cutting Plate Black			
64	1	325785509/0	Rear Deflector Suppot			
65	1	118399075/1	Electromagnetic Clutch	Ogura		
66	1	112543000/0	Washer			
67	1	112737320/0	Screw			
68	1	125430277/1	Spring			
69	1	1134-9226-01	Winged Blades	Stiga packed into 182004362/0 + 182004363/0		
70	1	1134-9234-01	Mulching Blades	Stiga packed into 182004364/0 + 182004346/0		
71	1	118870395/0	Bush			



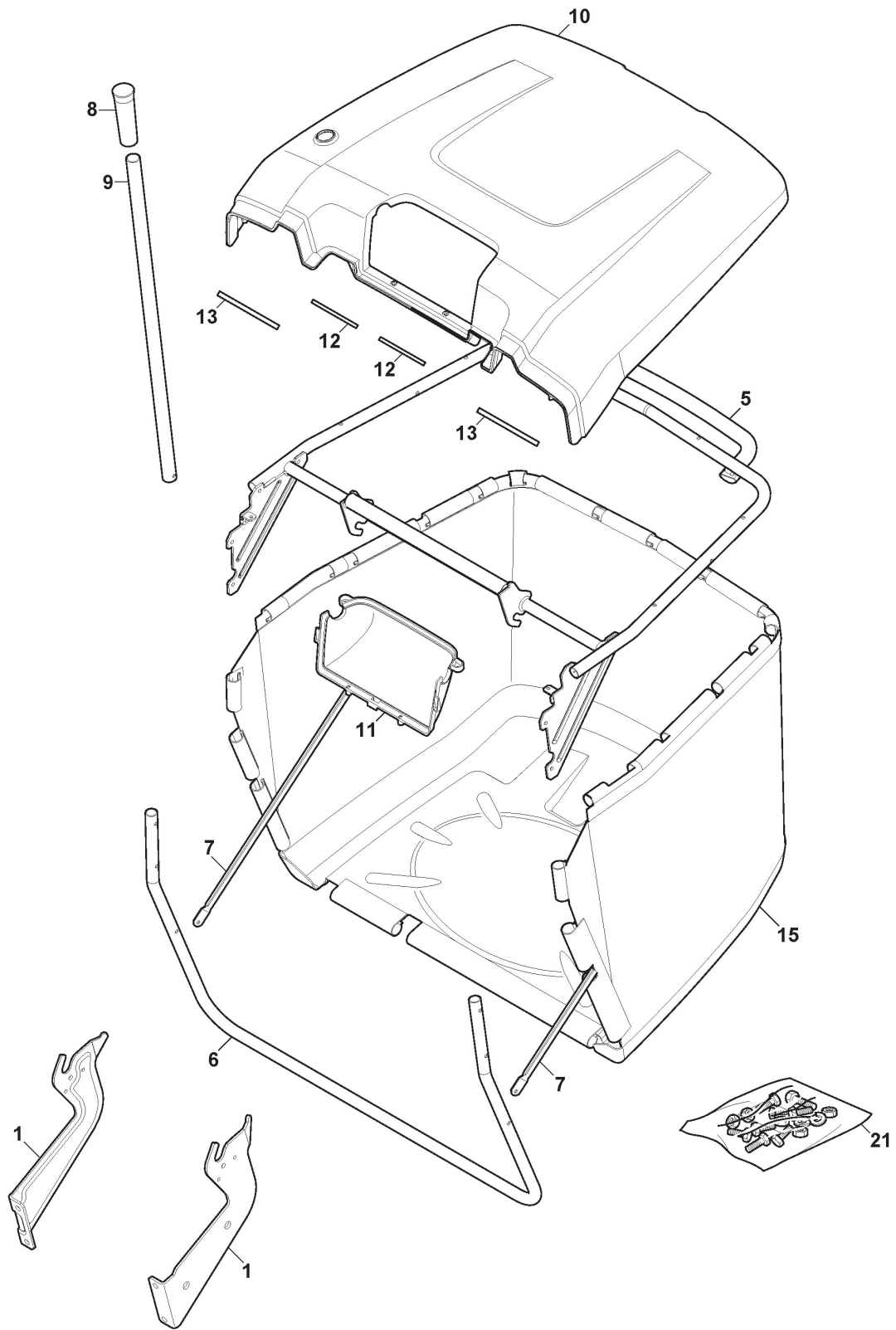
Cutting Deck Assy - MP98

Zn. c.	Množ.	Kód výrobku	Popis	Poznámky	From	Až do
1	1	382565109/0	Cutting Plate Assy, Black	Black		



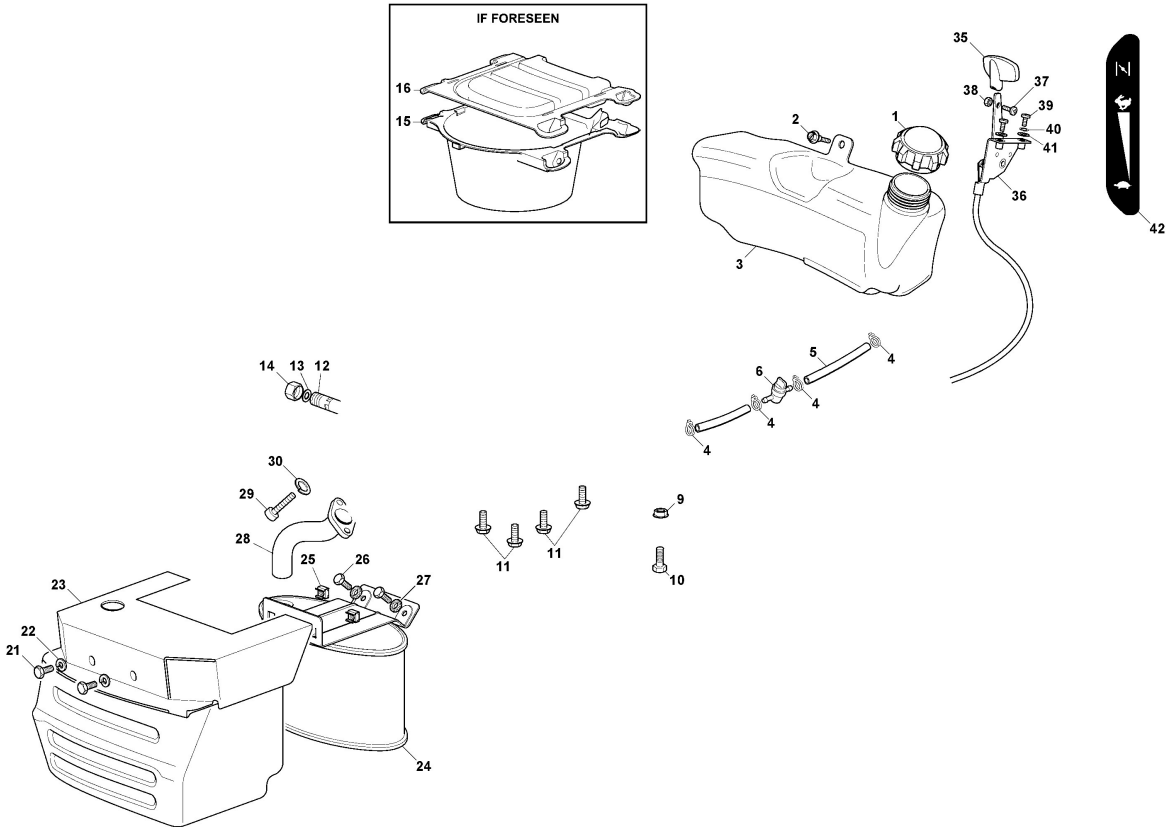
Belt Protections

Zn. c.	Množ.	Kód výrobku	Popis	Poznámky	From	Až do
1	1	325060174/0	Conveyor			
2	1	325060175/0	Conveyor			
3	2	112735110/0	Screw			
4	1	382270309/0	Bracket			
5	1	325547346/0	Bracket			
6	1	125430213/0	Spring			
7	1	325108065/0	Conveyor			
8	1	325108064/0	Conveyor			
9	2	125160109/0	Spacer			
10	2	112154510/0	Nut			
11	2	112521340/0	Washer			
12	2	112792425/0	Screw			
13	1	325108056/0	Conveyor			
14	2	325774499/0	Clamp			
15	1	325108057/0	Conveyor			
16	1	325774527/0	Clamp			
17	1	325774529/0	Clamp			
18	2	125943010/0	Screw			
20	2	112437506/0	Plate			
21	4	112604899/0	Crown Fastener			
22	4	125943011/0	Screw			



Grasscatcher

Zn. c.	Množ.	Kód výrobku	Popis	Poznámky	From	Až do
1	1	382785289/1	Support Ass.Y			
5	1	382800139/1	Upper Frame			To S/N 23LA3RON
5	1	382800139/2	Upper Frame		From S/N 23LA3RON 014488	
6	1	382800141/0	Front Frame			
7	2	325650149/0	Stiffening			
8	1	125394508/0	Knob			
9	1	325869087/1	Rod			
10	1	325110436/1	Black Grass-Catcher Cover			To S/N 23LA3RON
10	1	325110436/2	Black Grass-Catcher Cover		From S/N 23LA3RON 014488	
11	1	325207195/1	Handle Cover			
12	2	125270802/0	Seal			
13	2	125270803/0	Seal			
15	1	182105947/0	Grasscatcher	Black without Logo		
21	1	382180123/0	Outfit, Screws			

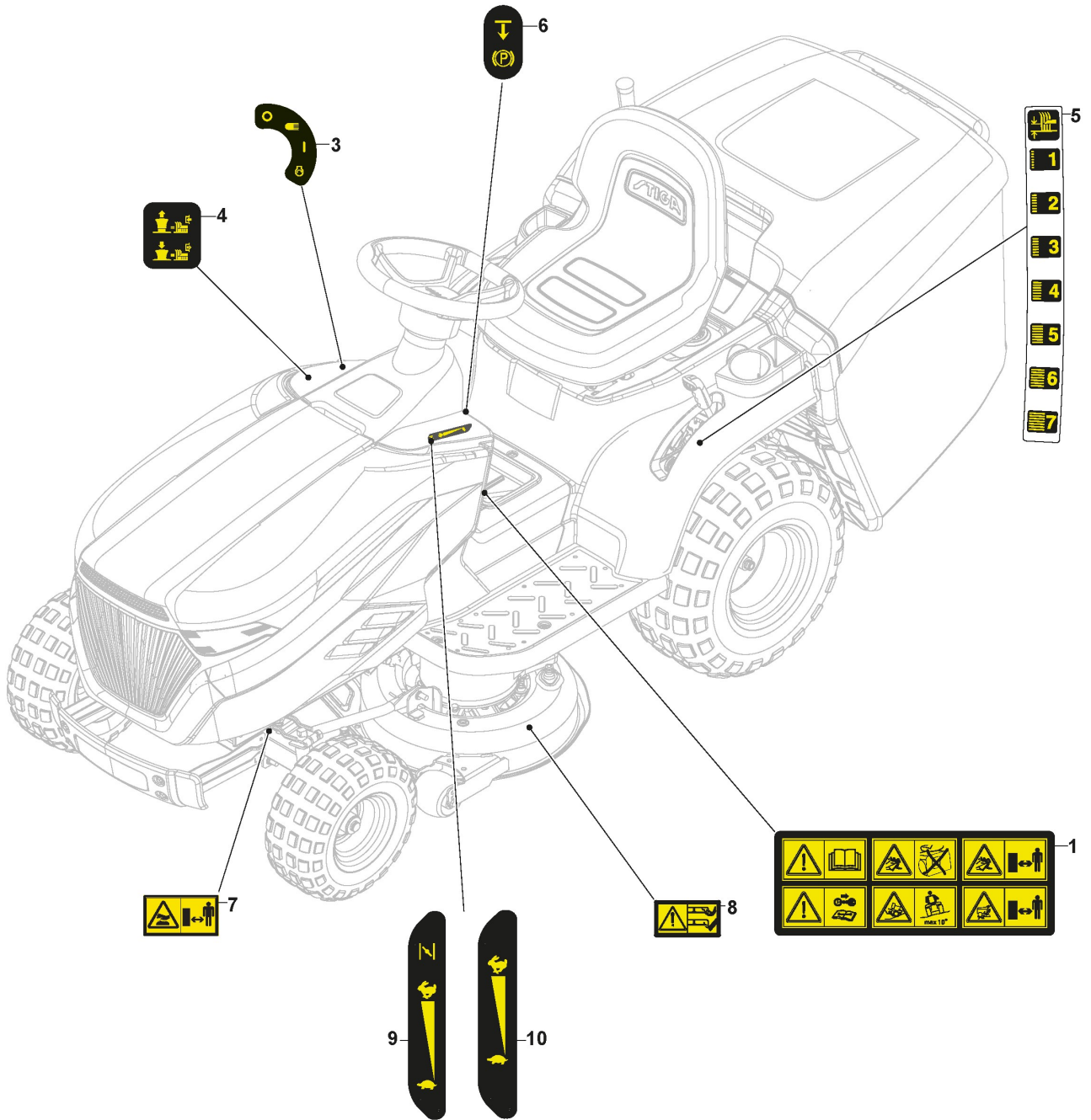


Engine - ST.

Zn. c.	Množ.	Kód výrobku	Popis	Poznámky	From	Až do
1	1	125795001/1	Cap			
2	4	125943010/0	Screw			
3	1	325735126/0	Fuel Tank			To S/N DD305061
3	1	325735126/1	Tank		From S/N 22000000	
4	4	118375051/1	Fair Led			
5	1	325869057/0	Connecting Tube			
6	1	118562996/0	Shut out valve			To S/N 21GA3RON 003918
6	1	118566119/0	Shut out valve		From S/N 21GA3RON	
9	1	112154210/0	Nut			
10	1	112735599/0	Screw			
11	4	112735108/1	Screw			
12	1	127598060/0	Oil Discharge Extension			
13	1	118401001/1	Oil Seal			
14	1	118737849/0	Plug			
15	1	325108044/1	Conveyor	if foreseen in assortment		
16	1	325263302/1	Air Intake Grill	if foreseen in assortment		To S/N 21GA3RON
16	1	325263318/0	Air Intake Grill	if foreseen in assortment	From S/N 21GA3RON 001381	
21	2	112792611/0	Screw			
22	2	112540260/0	Washer			
23	1	382598045/0	Muffler Protection			To S/N 22LA3RON
23	1	382598045/1	Muffler Protection		From S/N 19GA3RON 000516	To S/N 22LA3RON 004030
23	1	382598045/2	Muffler Protection		From S/N 20GA3RON	To S/N 23KA3RON 004241
24	1	182750010/0	Muffler			
24	1	182750018/0	Muffler Assy		From S/N 20GA3RON	
25	2	112360425/0	Nut			
26	2	112792611/0	Screw			
27	2	112540260/0	Washer			
28	1	118738231/1	Exhaust Tube			To S/N 20GA3RON
28	1	118738231/2	Exhaust Connection Tube		From S/N 22KA3RON 013348	
29	2	112737450/0	Screw			
30	2	112540260/0	Washer			
35	1	325394531/0	Knob			
36	1	182000215/0	Accelerator			
37	1	112726388/0	Screw	White Galvanized		
37	1	112726389/0	Screw	Black Galvanized		
38	1	112290800/0	Nut			
39	2	112726388/0	Screw	White Galvanized		
39	2	112726389/0	Screw	Black Galvanized		
40	2	112540020/0	Washer			
41	2	112521310/0	Washer			
42	1	114363697/0	Label			

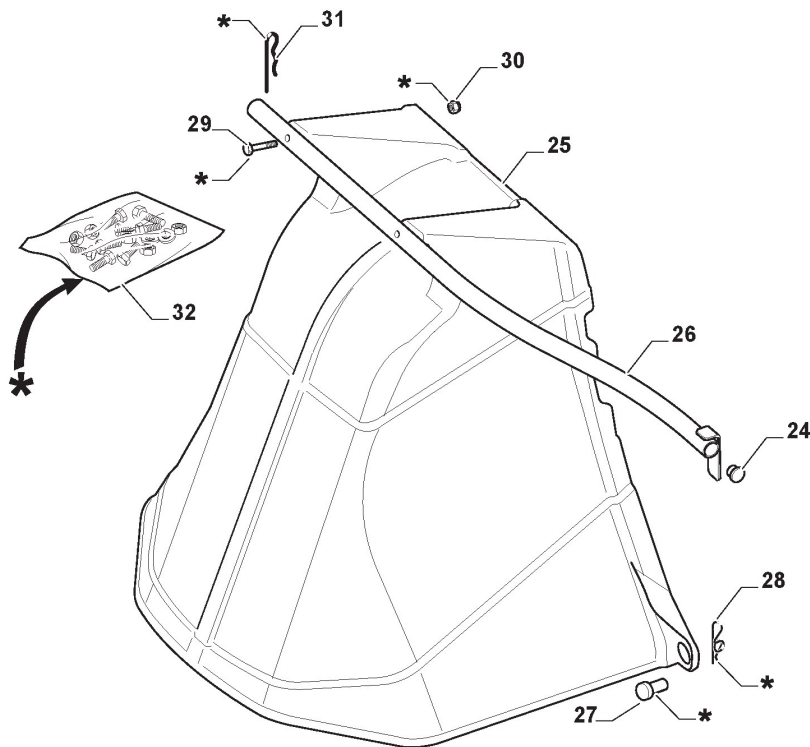
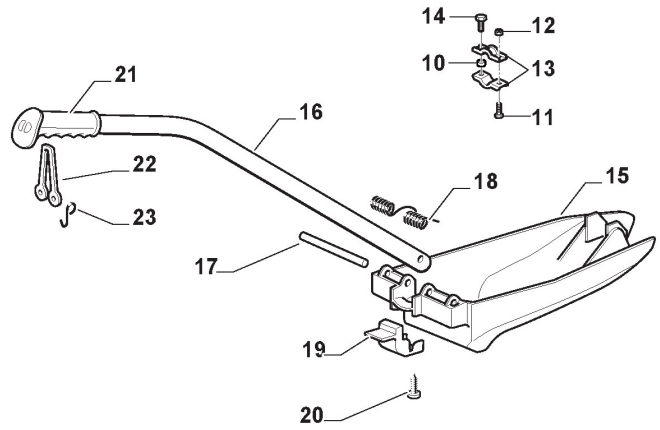
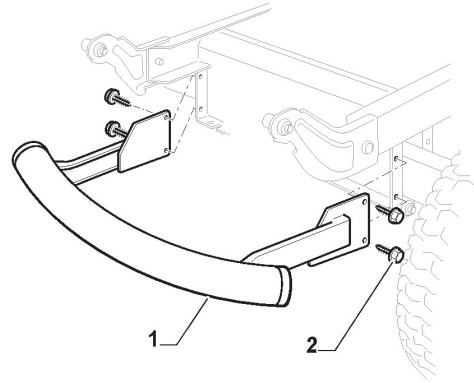
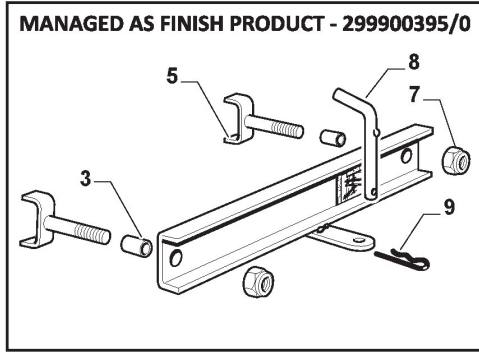
Electrical Parts

Zn. c.	Množ.	Kód výrobku	Popis	Poznámky	From	Až do
1	1	182040199/1	Cables Ass.Y			To S/N 23BA3RON 012712
1	1	182040199/2	Complete Wiring Assembly		From S/N 23BA3RON	
2	1	382722472/1	Electronic Card	"LS" marked		
2	1	382722476/0	Electronic Card	"WW" marked		To S/N 23BA3RON
2	1	382722476/1	Electronic Card	"WW" marked	From S/N 23AA3RON 005478	
3	1	325600090/1	Card Protection			
4	1	118450075/1	Starting Switch			
5	3	112735105/0	Screw			
6	1	118210023/0	Starting Key			
7	1	118120007/0	Battery			
8	1	125430265/1	Spring			
9	1	118400863/0	Screwed Ring			
10	1	119410609/1LC	Micro Switch			
13	1	133567000/0	Relay	Only for Honda Engines		
14	1	119410623/0	Microswitch	N.C. - White		
15	2	133215000/0	Cover			
16	2	133340036/0	Fuse 25 A	25A		
16	2	133340040/0	Fuse 10 A	10A		
17	2	133500007/0	Fuse Carrier			
18	1	118450073/0	Clutch Switch	Yellow		
19	2	119410622/1	Microswitch	N.O. - Black		
20	1	182040186/0	Cable			
21	2	118459100/0	Lamp For Lights	Headlight Bulb		
22	1	119410605/1	Microswitch			
23	1	119410633/0	Microswitch	N.O. - Black/White		
25	1	1134-9250-01	Battery Charger Kit 1A UK-CE Plug	CE + BS + AUS plug		
26	1	325605003/0	Button			
27	2	325256250/0	Screwed Ring			
28	1	182040174/0	Led Wiring Assy	LED cable for alarm on dashboard		
51	1	118736112/0	Solenoid			
52	2	112361005/0	Nut			
53	1	125065002/0	Cable			
54	1	118564864/1	Protection			
55	1	112791011/0	Screw			
56	2	112154510/0	Nut			



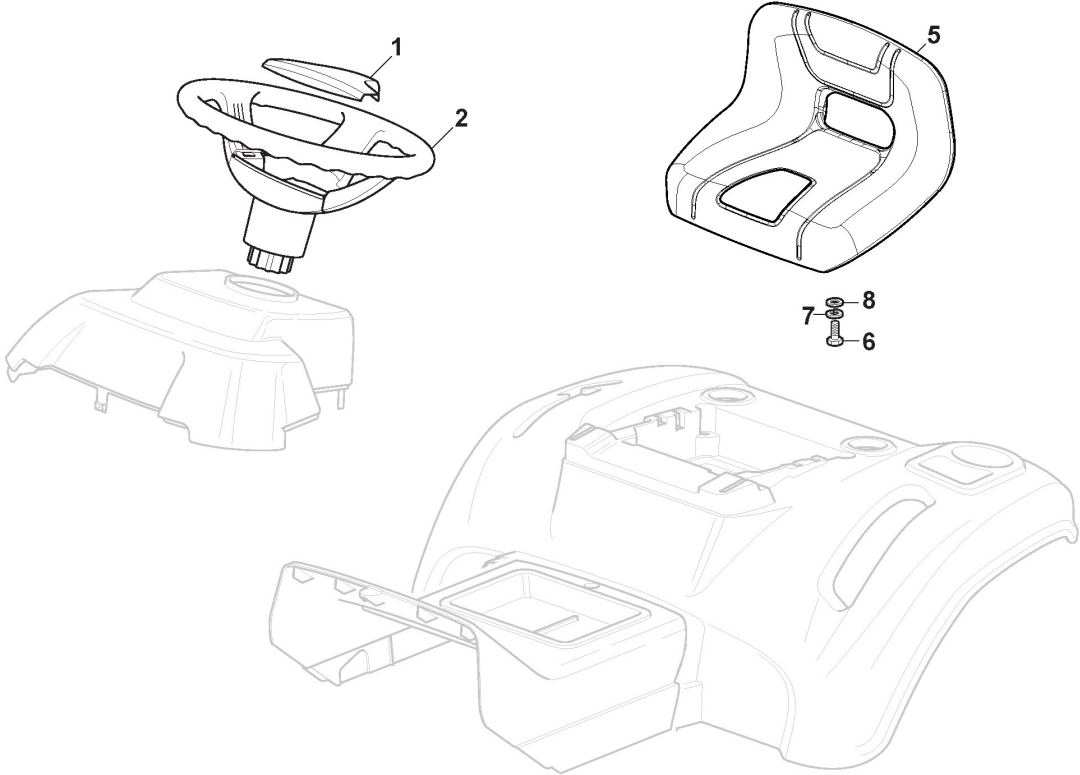
Labels

Zn. c.	Množ.	Kód výrobku	Popis	Poznámky	From	Až do
1	1	114361553/1	Label	No more used from 01.11.2022		
3	1	114363699/0	Label			
4	1	114361438/0	Label			
5	1	114363701/0	Label			To
5	1	114366142/0	Label		From	
6	1	114363700/0	Label		01-September-2014	
7	1	114364961/3	Label			
8	1	114356699/1	Label			
9	1	114363697/0	Label			
10	1	114364617/0	Label			



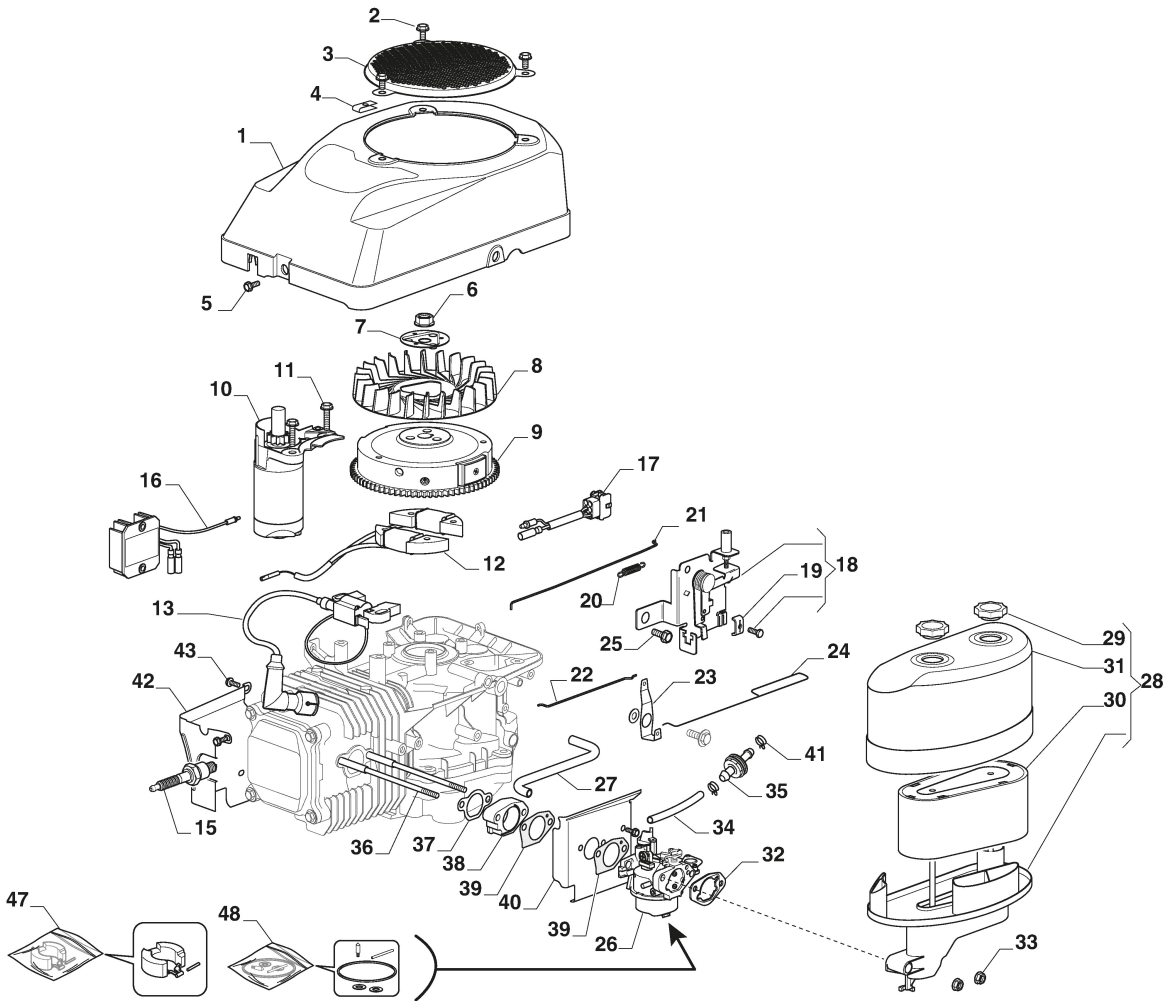
Optionals On Request

Zn. c.	Množ.	Kód výrobku	Popis	Poznámky	From	Až do
1	1	382869038/0	Muffler Protection			
2	4	112735599/0	Screw			
3	2	125160074/0	Spacer			To S/N
3	2	125160108/0	Spacer		From S/N	19JA3RON
5	2	382650211/0	Stiffening			001409
7	2	112155000/0	Nut			
8	1	125510021/1	Hitch Pin			
9	1	124487999/0	Spring Pin			
10	1	122170600/0	Spacer			
11	1	112792099/0	Screw			
12	3	112292102/0	Nut			
13	2	327546015/2	Plate			
14	1	112791400/0	Screw			
15	1	325140112/0	Deflector			
16	1	325394021/0	Handle			
17	1	125510077/0	Pin			
18	1	125430245/0	Spring			
19	1	325547414/0	Plate			
20	1	112735402/0	Screw			
21	1	325280000/1	Handgrip			
22	1	125840011/1	Tie Rod			
23	2	125253004/0	Mulch.Kit Fixing Hook			
24	2	118566112/0	Polyethylene Push Road Ivars D=20inch			
25	1	325600093/0	Ejection Guard			To
25	1	325600093/1	Ejection Guard		From	
26	1	382869044/0	Support		01-Septem	
27	2	125510022/1	Pin		ber-2017	
28	2	124487998/0	Cotter Pin			
29	2	112689515/0	Screw			
30	2	112154510/0	Nut			
31	1	124487999/0	Spring Pin			
32	1	382180028/0	Outfit, Screws			



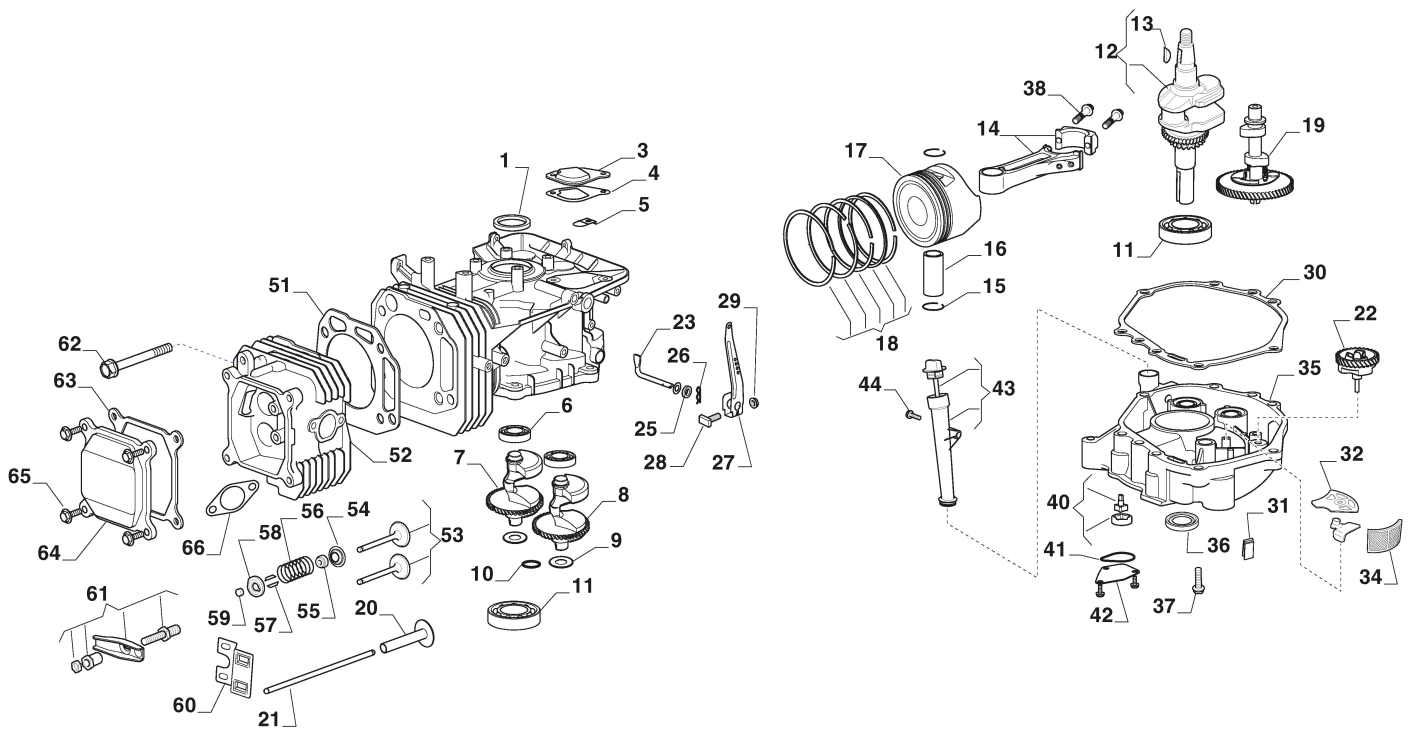
Seat & Steering Wheel

Zn. c.	Množ.	Kód výrobku	Popis	Poznámky	From	Až do
1	1	325580503/0	Steering Plate Cover			
2	1	325961219/0	Steering Wheel			
5	1	125722487/0	Seat			
6	4	112792611/0	Screw			
7	4	112540260/0	Washer			
8	4	112523060/0	Washer			



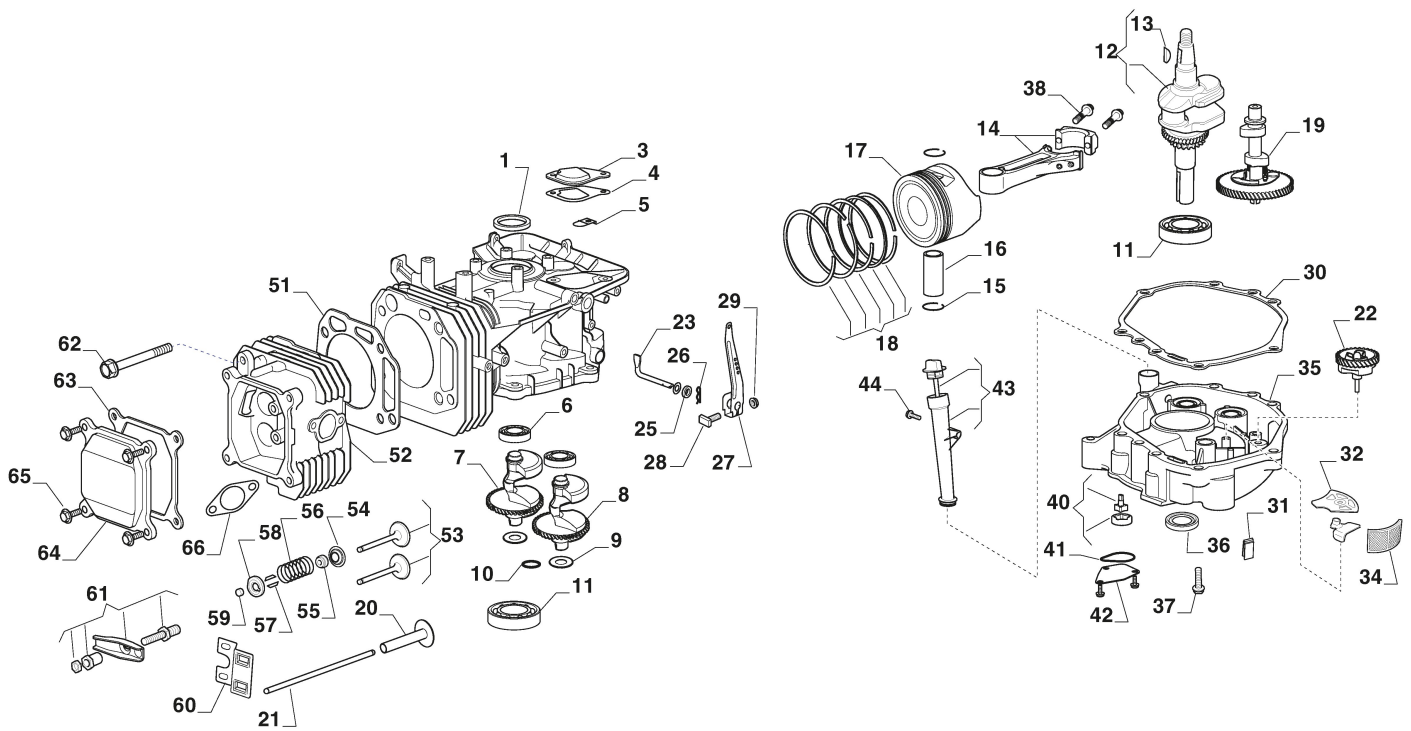
Engine - Carburettor, Tank

Zn. c.	Množ.	Kód výrobku	Popis	Poznámky	From	Až do
1	1	118551261/0	Cover Assy			
2	3	112790500/0	Screw			
3	1	118550203/0	Fan Cover			
4	3	118551280/0	Plate			
5	4	118552509/0	Bolt			
6	1	118550237/0	Nut			
7	1	118550236/0	Starter Cup			
8	1	118550235/1	Flywheel Fan			
9	1	118550234/2	Flywheel Ass.Y			
10	1	118552635/0	Start Motor Assy			
11	2	112691100/0	Screw			
12	1	118551441/0	Coil Assy, Charge			
13	1	118551438/0	Electronic Coil			
15	1	9400-0244-00	Spark Plug			
16	1	118551428/1	Rectifier			
17	1	118551439/0	Output Wire, Rectifier			
18	1	118550331/1	Remote Control Assy			
19	1	118550212/0	Casing Clamp			
20	1	118550213/0	Spring			
21	1	118551219/0	Governor Link			
22	1	118551218/0	Rod Choke			
23	1	118551267/0	Bracket			
24	1	118551221/0	Throttle Rod			
25	2	118551277/0	Bolt			
26	1	118552604/0	Carburettor			
27	1	118550225/1	Breather Fuel Pipe			
28	1	118550199/0	Air Filter			
29	2	118550201/0	Knob			
30	1	118550199/0	Air Filter			
31	1	118550200/0	Air Cleaner Cover			
32	1	118550762/0	Air Filter Gasket			
33	2	112292102/0	Nut			
34	1	118550432/0	Fuel Pipe			
35	1	118550354/1	Fuel Filter			
36	2	118551279/0	Double-Screw Bolt			
37	1	118551263/0	Intake Manifold Gasket			
38	1	118551265/0	Intake Manifold			
39	2	118551262/0	Carburetor Gasket			
40	1	118551259/0	Guard			
41	2	118552508/0	Clamp, Fuel Line			
42	1	118551260/0	Guard			
43	1	118552646/0	Screw			
47	1	118550440/0	Kit Repair, Carburettor			
48	1	118550442/0	Carburettor Gasket Set			



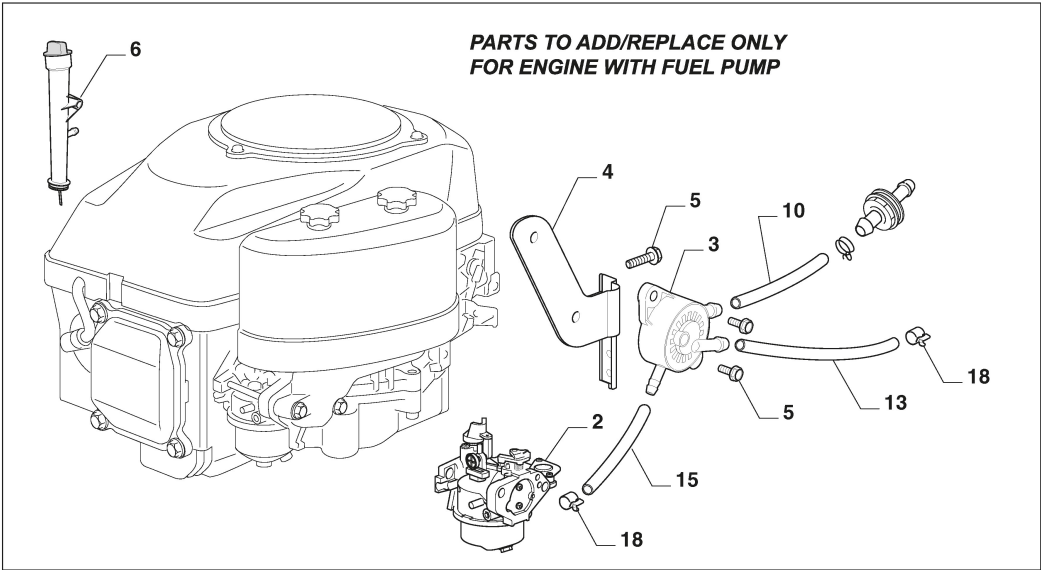
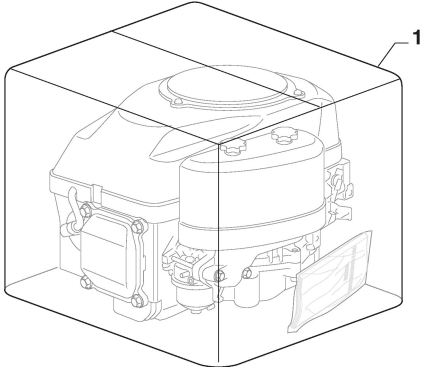
Engine - Piston, Crankshaft

Zn. c.	Množ.	Kód výrobku	Popis	Poznámky	From	Až do
1	1	118550443/0	Oil Seal			
2	1	118551224/0	Crankcase			
3	1	118551227/0	Cover			
4	1	118551229/0	Gasket			
5	1	118550303/0	Plate			
6	2	118551284/0	Bearing			
7	1	118551242/0	Counterweight			
8	1	118551243/0	Counterweight			
9	2	118551282/0	Washer			
10	1	118551286/0	O Ring			
11	2	118550227/0	Ball Bearing			
12	1	118550232/0	Crankshaft			
13	1	118550288/0	Woodruff Key			
14	1	118552580/0	Connecting Rod Assy			
15	2	118551283/0	Washer, Piston Pin			
16	1	118551241/0	Piston Pin			
17	1	118551519/0	Piston			
18	1	118551518/0	Piston, Ring Set			
19	1	118550243/0	Camshaft assy			
20	2	118551252/0	Valve Lifter			
21	2	118550242/1	Push Rods Assy			
22	1	118552619/0	Speed Governor Assy			
23	1	118551268/0	Shaft, Governor Arm			
25	1	118551285/0	Oil Seal			
26	1	118550856/0	Cotter Pin			
27	1	118551220/0	Arm Governor Assy			
28	1	118550805/0	Screw			
29	1	118550806/0	Nut			
30	1	118550355/1	Crankcase Gasket			
31	1	118551258/0	Grommet			
32	1	118551257/1	Cover			
34	1	118551256/1	Oil Strainer			
35	1	118551207/0	Crankcase Cover			
36	1	118550443/0	Oil Seal			
37	4	112691115/0	Screw			
38	2	118552504/0	Bolt			
40	1	118550224/1	Oil Pump			
41	1	118551287/0	Gasket			
42	1	118550223/0	Oli Pump Cover			
43	1	118550205/2	Oil Filler Assy			
44	1	112674701/0	Screw			
51	1	118551504/0	Seal			
52	1	118552574/0	Cylinder Head			
53	1	118551290/0	Valve Assy, Intake + Exhaust			
54	2	118551245/0	Plate			
55	2	118551248/0	Gasket			
56	2	118550529/0	Spring Valve			
57	4	118551247/0	Valve keeper			



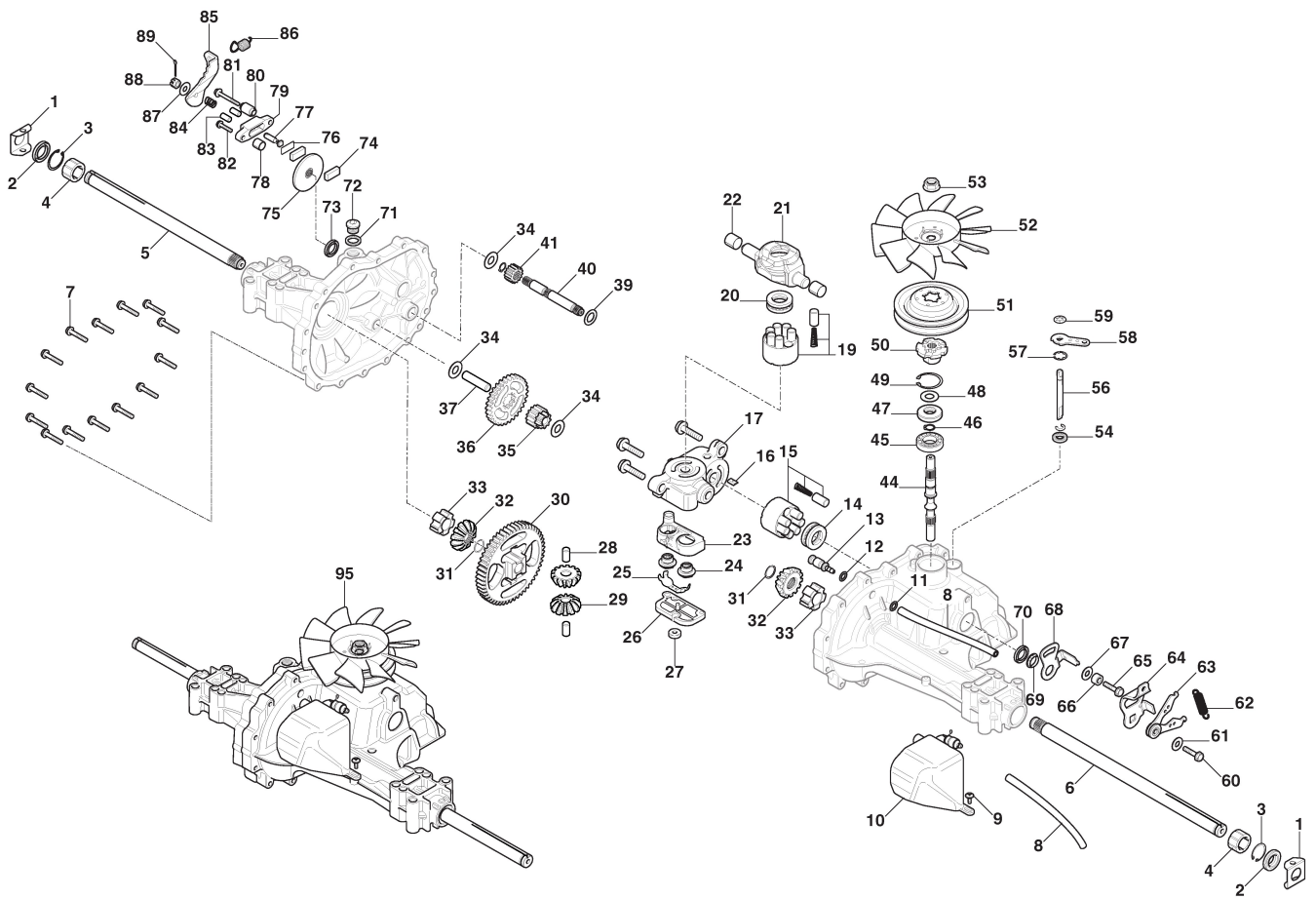
Engine - Piston, Crankshaft

Zn. c.	Množ.	Kód výrobku	Popis	Poznámky	From	Až do
58	2	118551246/0	Retainer			
59	2	118551244/0	Valve cap			
60	1	118551254/0	Plate			
61	1	118551249/0	Valve Arm Set			
62	4	118551278/0	Screw			
63	1	118551531/0	Gasket			
64	1	118551534/0	Cover Comp., Head			
65	4	118551535/0	Bolt			
66	1	118551272/0	Muffler Gasket			



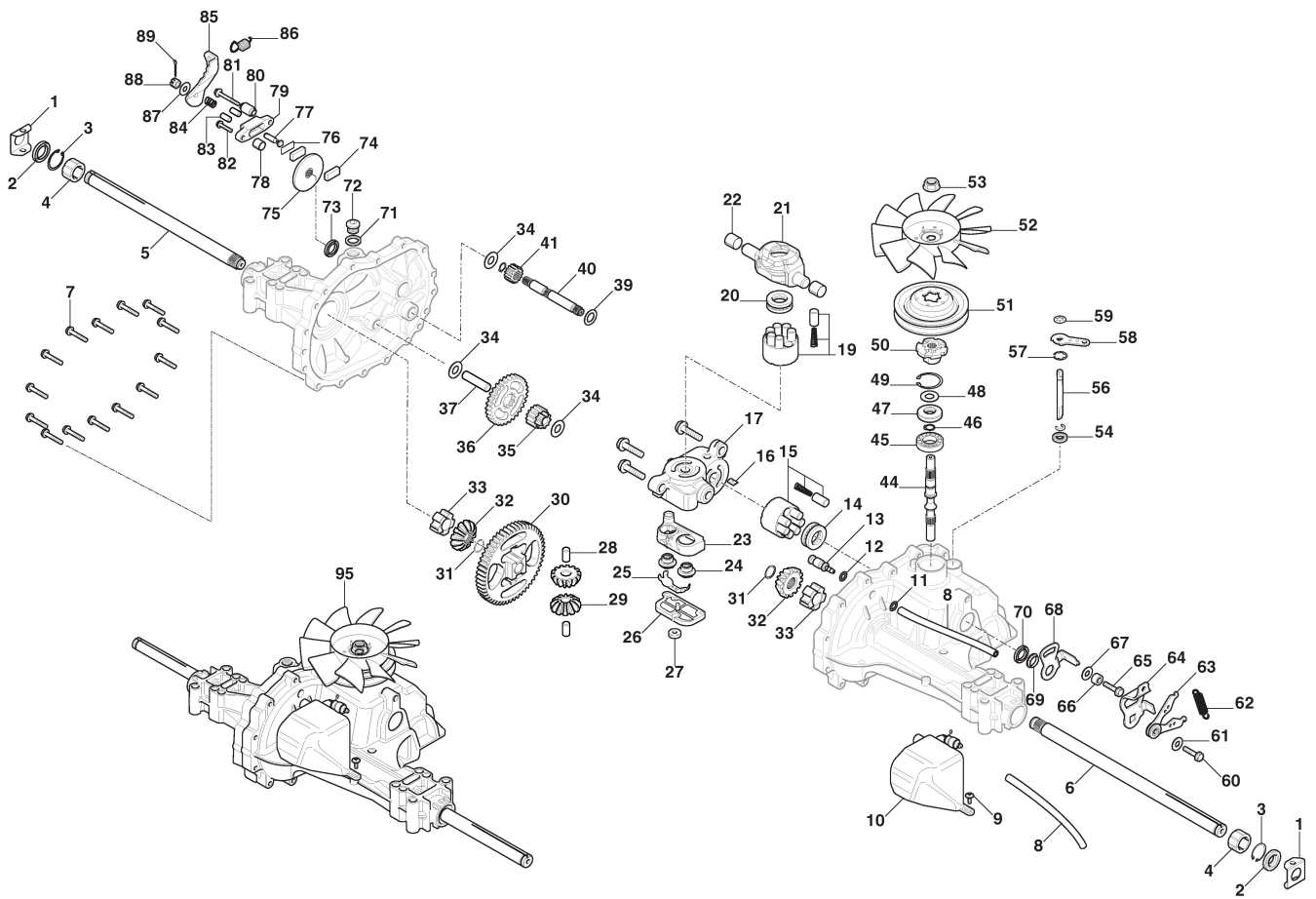
Engine, Fuel Pump

Zn. c.	Množ.	Kód výrobku	Popis	Poznámky	From	Až do
1	1	118550451/2	Engine Assembled			
2	1	118552605/0	Carburettor			
3	1	118551578/0	Fuel pump			
4	1	118550348/1	Fuel Pump Stiffening			
5	4	112791400/0	Screw			
6	1	118550444/1	Oil Filler Assy			
10	1	118552506/0	Fuel Pipe			
13	1	118551371/0	Fuel Pipe			
15	1	118552507/0	Fuel Pipe			
18	4	118552508/0	Clamp, Fuel Line			



Transmission Unit, LXHT20

Zn. c.	Množ.	Kód výrobku	Popis	Poznámky	From	Až do
1	2	118870341/0	Plate			
2	2	118870376/0	Seal			
3	1	112610095/0	Snap Ring			
3	1	112610095/0	Snap Ring			
4	2	118870381/0	Collar			
5	1	118870355/0	Shaft			
6	1	118870356/0	Shaft			
7	14	112674550/0	Screw			
8	2	118870380/0	Tube			
9	1	112727796/0	Screw			
10	1	118870335/0	Kit-Expansion Tank			
11	1	118870389/0	O-Ring			
12	1	118870388/0	O-Ring			
13	1	118870332/0	Fitting			
14	1	118870375/0	Bearing			
15	1	118870365/0	Pump Block Assy			
16	1	118870340/0	Push rod			
17	1	118870331/0	Center Section Kit			
19	1	118870364/0	Cylinder Block			
20	1	118870374/0	Bearing			
21	1	118870338/0	Swashplate			
22	2	118870383/0	Collar			
28	2	118870350/0	Kit-Gears and Pins			
29	2	118870345/0	Gear Z=12			
30	1	118870357/0	Gear Z=53			
31	2	118870354/0	Retaining Ring			
32	2	118870346/0	Gear Z=12			
33	2	118870382/0	Bushing			
34	3	118870370/0	Washer			
35	1	118870347/0	Gear Z=11			
36	1	118870348/0	Gear Z=48			
37	1	118870344/0	Pin			
39	1	118870369/0	Washer			
40	1	118870342/0	Shaft			
41	1	118870343/0	Gear Z=13			
44	1	118870358/0	Shaft			
45	1	118805721/0	Bearing			
46	1	112609200/0	Seeger			
47	1	118870377/0	Seal			
48	1	118870371/0	Washer			
49	1	112610800/0	Seeger			
50	1	118870351/0	Hub, pulley			
51	1	118870349/0	Belt Pulley			
52	1	118870333/0	Impeller			
54	1	118870379/0	Seal			
56	1	118870352/0	Rod			
57	1	112000955/0	Benzing Ring			
58	1	118870353/0	Arm			



Transmission Unit, LXHT20

Zn. c.	Množ.	Kód výrobku	Popis	Poznámky	From	Až do
59	1	118870368/0	Retaining Ring			
60	1	9959-0825-16	Screw			
61	3	118804818/0	Washer			
62	1	118870390/0	Spring			
64	1	118870339/0	Arm			
65	1	112793701/0	Screw			
66	2	118870386/0	Collar			
68	1	118870337/0	Arm			
69	1	118870385/0	Collar			
70	1	118870376/0	Seal			
71	1	112520033/0	Washer			
72	1	118870330/0	Plug			
73	1	118870378/0	Seal			
74	2	118870360/0	Brake Pad			
75	1	118870362/0	Brake Disc			
76	1	118870363/0	Brake Pad Support			
78	1	118870387/0	Spacer			
79	1	118870359/0	Brake Caliper			
81	1	9997-0650-12	Screw			
82	1	112791500/0	Screw			
83	2	118870373/0	Pin			
84	1	118870392/0	Spring			
85	1	118870361/0	Brake Lever			
86	1	118870391/0	Spring			
87	1	122671651/0	Washer			
88	1	118870366/0	Nut			
89	1	118870372/0	Cotter Pin			
95	1	118401021/0	Hydrostatic Transmission			