

ALPINA

AT4 98 HA (2021)

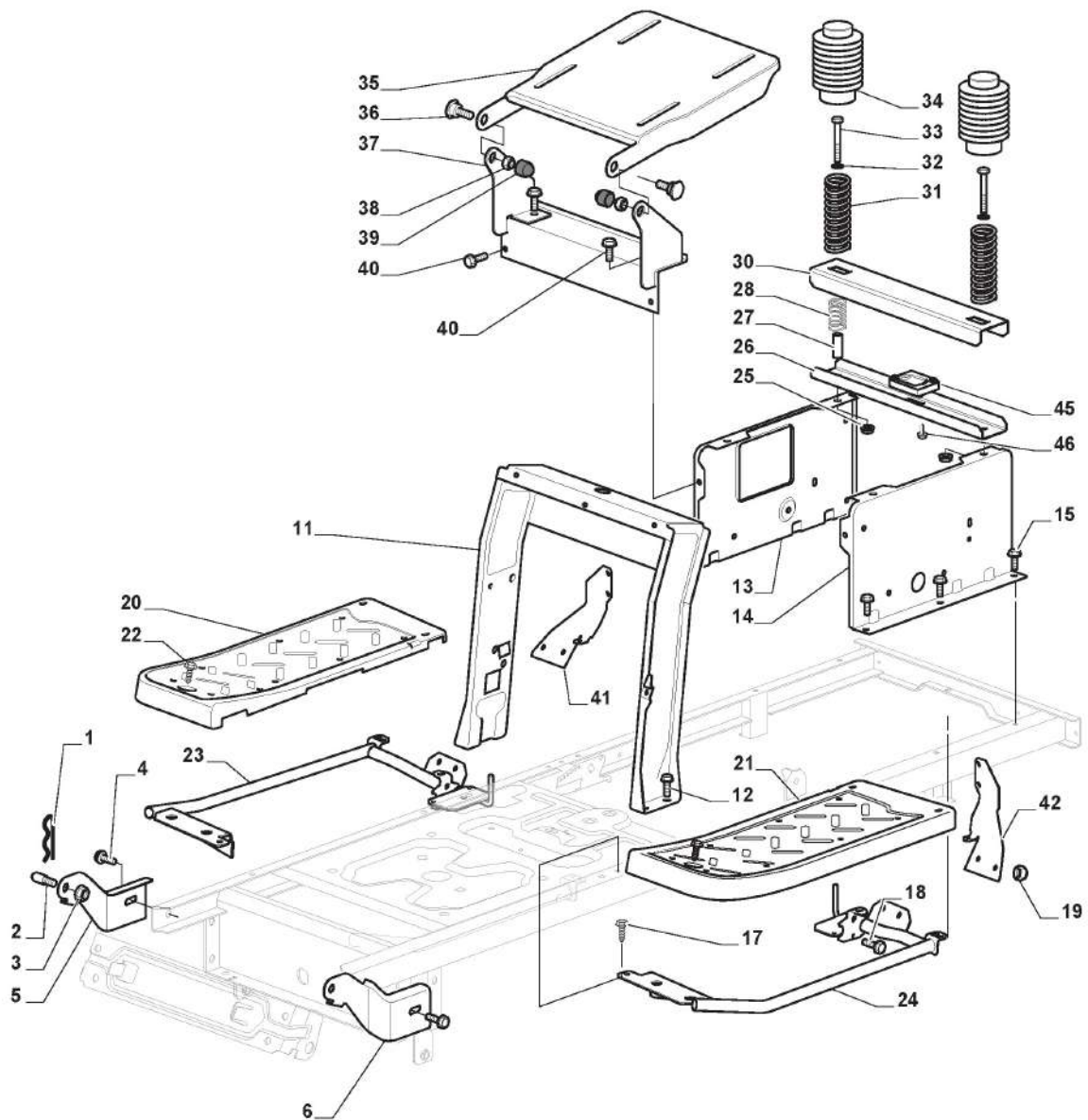
2T2620404/A21



Spare parts list Reservdelar Repuestos Ersatzteile Pièces détachées Reserve onderdelen Catalogo ricambi

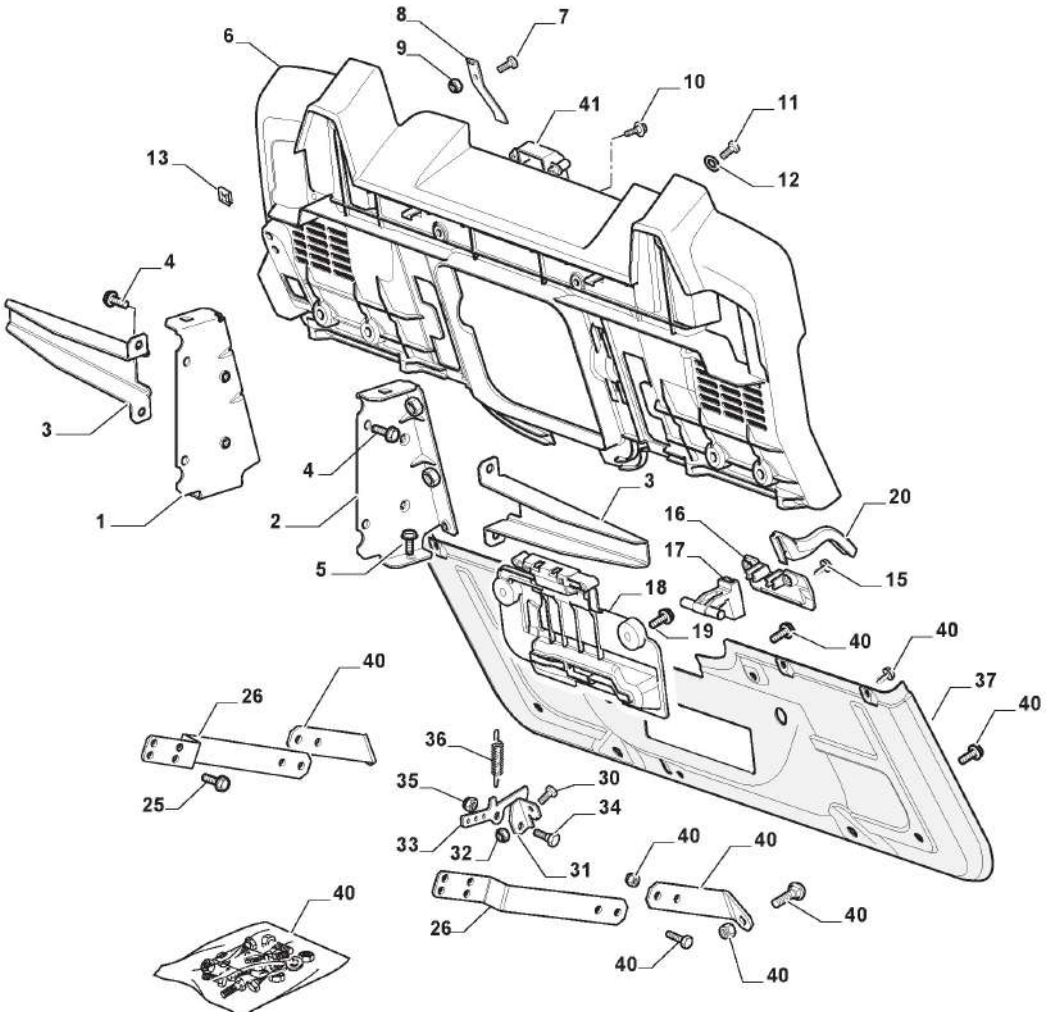
- Use ST. S.p.A. Genuine Spare Parts specified in the parts list for repair and/or replacement.
- The contents described in the parts list may change due to improvement.
- The drawings of the spare parts are only indicative And might Not represent the part in question exactly.
- The indications "right" - "left" - "front" - "rear" refer to the position of the operator when using the machine.
- When placing orders of parts for repair And/Or replacement, make sure that the illustrated parts list Is the one applying to the machine's year of manufacture, as shown on the identification plate attached to the machine.

All rights reserved. No part Of this material may be reproduced Or transmitted, in any form Or by any means, electronic Or mechanical, including photocopying, recording Or by any information storage And retrieval system, without permission in writing from ST. S.p.A.



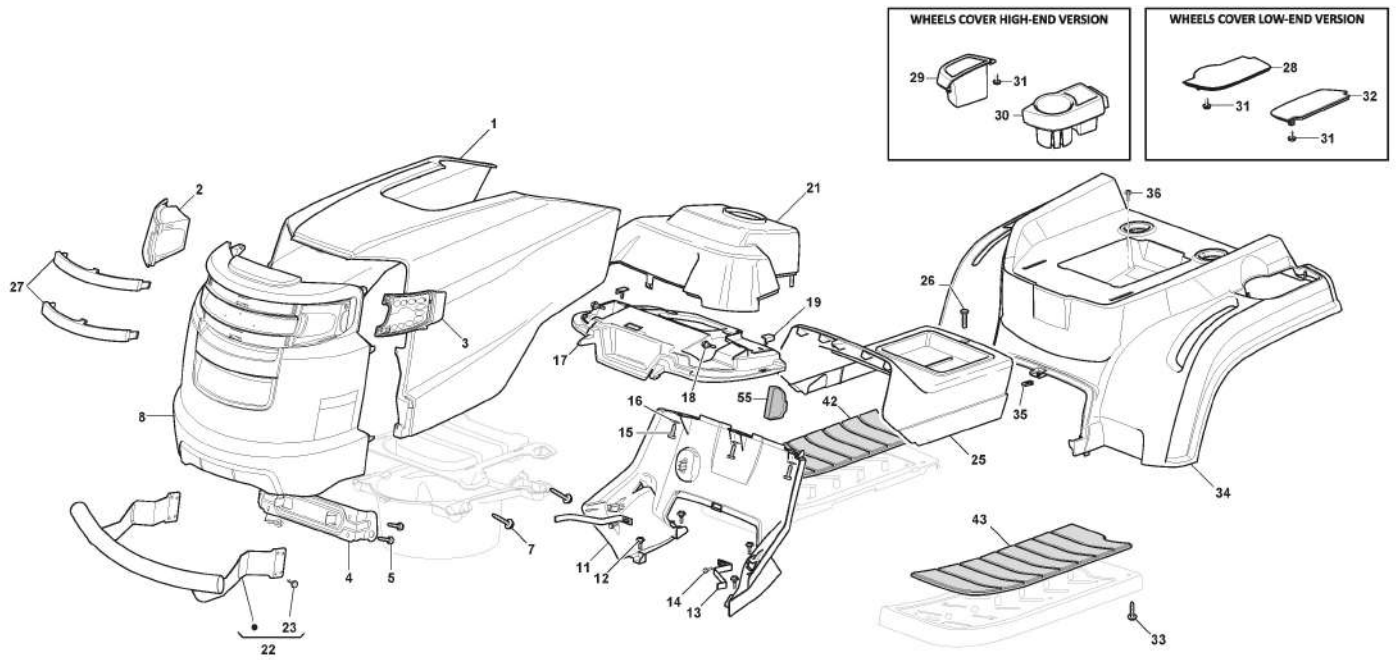
Chassis

Zn. c.	Množ.	Kód výrobku	Popis	Poznámky	From	Až do
1	1	124487998/0	Cotter Pin			
2	2	125510079/0	Pin			To S/N 19DA3RON
2	2	125510169/0	Pin		From S/N 19DA3RON 003315	
3	2	112155000/0	Nut			
4	2	112735599/0	Screw			
5	1	325547225/0	Right Plate			
6	1	325547227/0	Left Plate			
11	1	382785169/1	Steering Column Support			
12	4	125943009/0	Screw			
13	1	325785331/1	Right Seat Support			
14	1	325785333/1	Left Seat Support			
15	6	125943009/0	Screw			
17	2	125943009/0	Screw			
18	2	125943009/0	Screw			
19	10	112155000/0	Nut			
20	1	325500041/1	Right Footboard			
21	1	325500043/1	Left Footboard			
22	2	112735599/0	Screw			
23	1	382785223/0	Footboard Support			
24	1	382785221/0	Footboard Support			
25	2	112293201/0	Nut			
26	1	325820109/1	Seat Support			
27	2	125160048/0	Spacer		From 01-September-2014	To 01-10-2014
27	2	125160077/0	Spacer			
28	2	125430263/0	Spring			
30	1	325820111/0	Support			
31	2	125430264/0	Spring			
32	2	112521350/0	Washer			
33	2	112691400/0	Screw			
34	2	325122002/0	Hood			
35	1	382547061/0	Plate			
36	2	122524970/2	Fulcrum Pin			To 01-10-2014
36	2	122524970/3	Pin		From 01-September-2014	To S/N 20EA3RON
37	1	382820151/0	Seat Support		From S/N 20EA3RON 000612	
37	1	382820151/1	Seat Support			
38	2	112155010/0	Nut			
39	2	118203854/0	Cap			
40	12	125943009/0	Screw			
41	1	325650155/0	Support			To S/N 00271854
41	1	325650155/1	Support		S/N 269797	To S/N 20EA3RON
41	1	325650155/2	Support		From S/N 20BA3RON 006585	To S/N 20EA3RON
42	1	325650157/0	Support			To S/N 20EA3RON
42	1	325650157/1	Support		From S/N DD325495 From S/N 20EA3RON	To S/N 20AA3RON 007470
42	1	325650157/2	Support			
45	1	325785379/0	Support			
46	2	112728686/0	Screw			



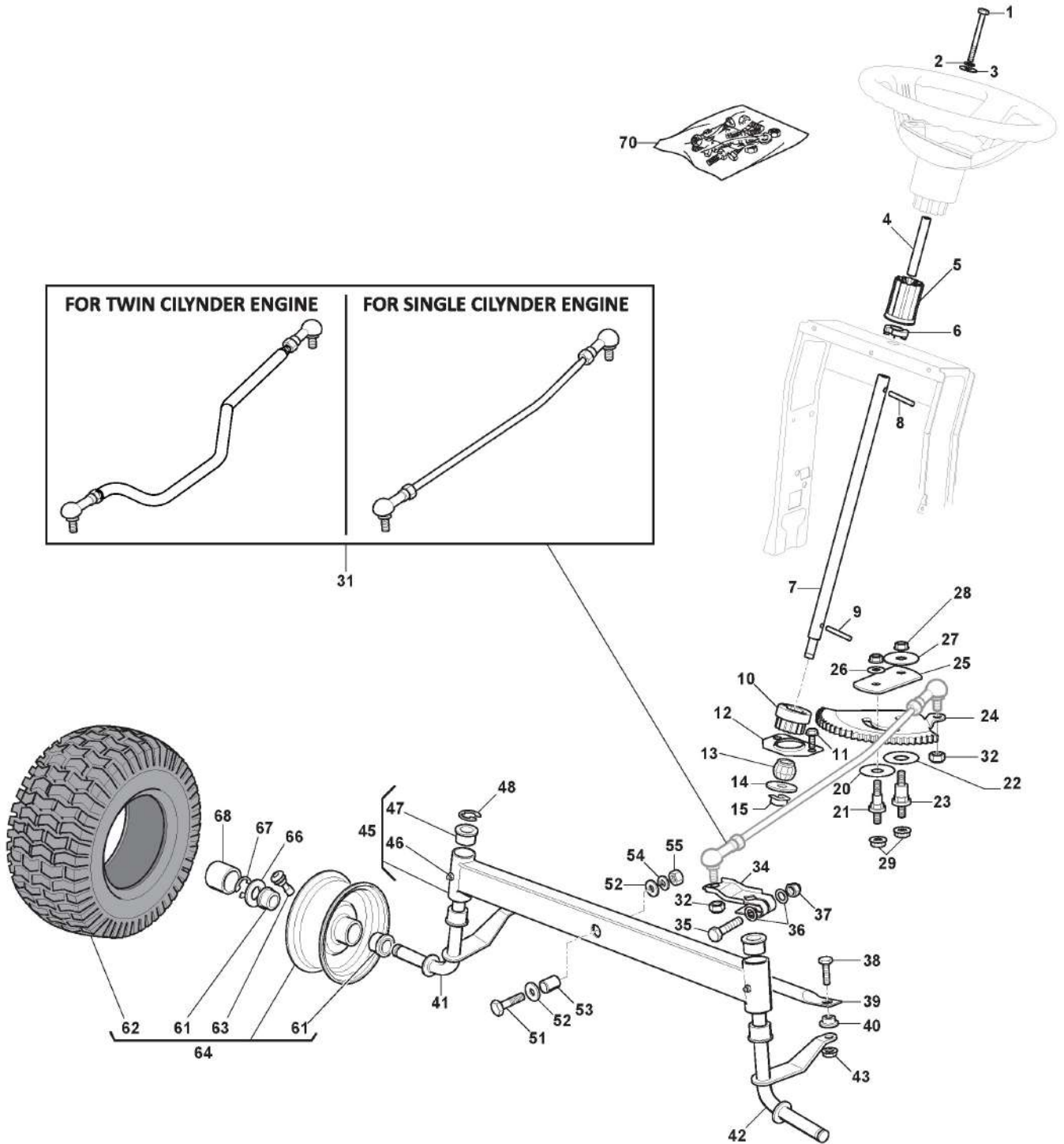
Frame - Rear Plate

Zn. c.	Množ.	Kód výrobku	Popis	Poznámky	From	Až do
1	1	325774501/0	Clamp			
2	1	325774507/0	Clamp			
3	2	325650163/0	Stiffening			
4	8	125943009/0	Screw			
5	2	125943009/0	Screw			
6	1	325547299/1	Rear Plate, Upper Part			
7	1	112789008/0	Screw			
8	1	127430600/0	Spring			
9	1	112154330/0	Nut			
10	4	125943010/0	Screw			
11	6	112789008/0	Screw			
12	6	112523020/0	Washer			
13	6	112437503/0	Plate			
15	2	112728686/0	Screw			
16	1	325109522/0	Protection Cover			
17	1	325318276/0	Gearshift			
18	1	325785428/0	Support			
19	2	125943010/0	Screw			
20	1	325318277/0	Lever	Also on endowment p40		
25	4	112793102/0	Screw			
26	2	325774521/0	Clamp			
30	1	112789008/0	Screw			
31	1	325755061/0	Bracket			
32	1	112154330/0	Nut			
33	1	325774533/0	Clamp			
34	1	125510080/2	Pin			
35	1	112154510/0	Nut			
36	1	125430282/1	Spring			
37	1	382547071/1	Plate			
40	1	382180146/0	Outfit, Screws			
41	1	325600107/0	Micro Protection			



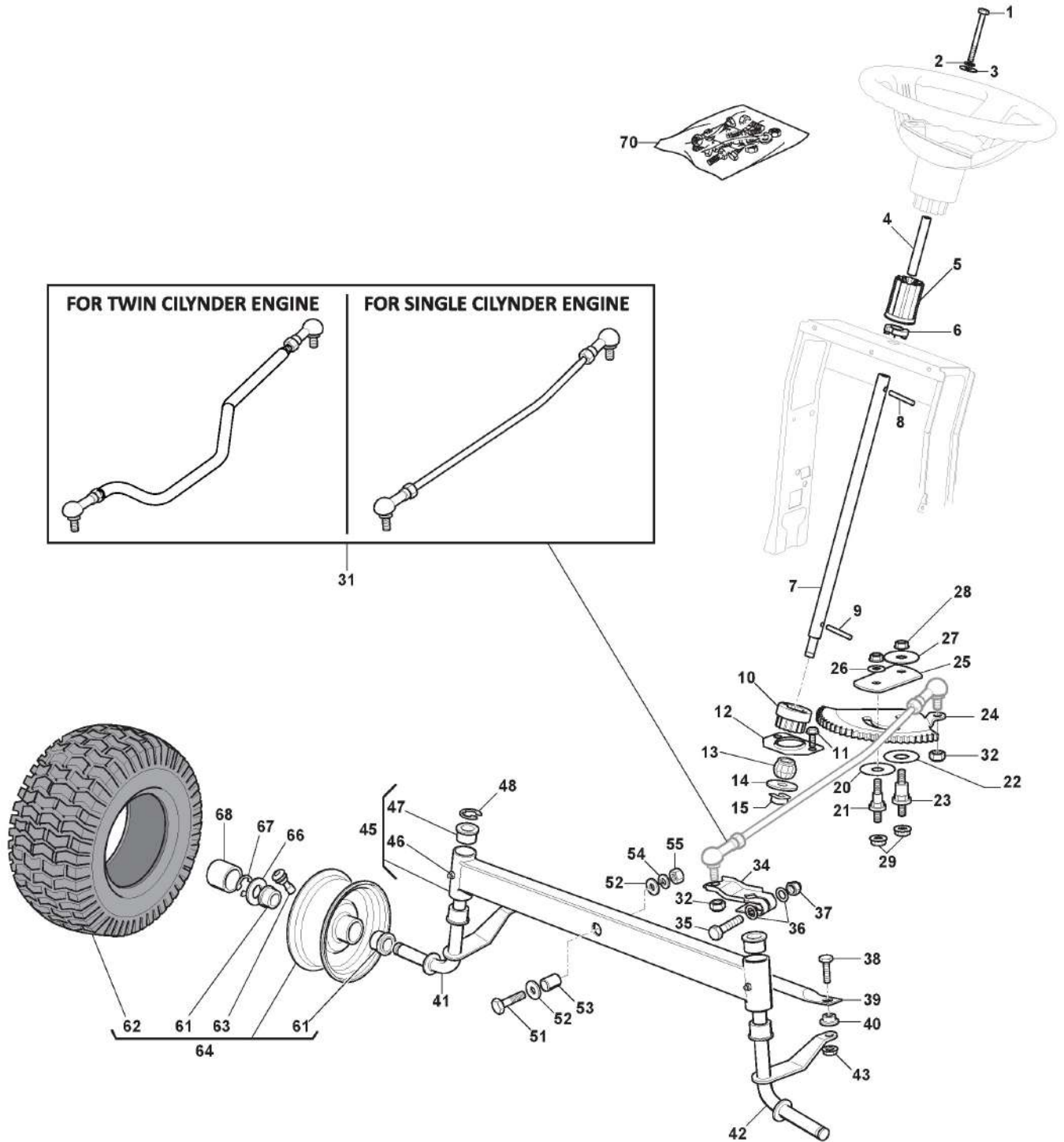
Body

Zn. c.	Množ.	Kód výrobku	Popis	Poznámky	From	Až do
1	1	325076913/0	Engine Hood Black			
2	1	382185506/0	Right Led Light	For Lamp Version		
3	1	382185507/0	Left Led Light	For Lamp Version		
4	1	325785365/0	Engine Hood Support			
5	4	112735403/0	Screw			
7	4	112728692/0	Screw			
8	1	325077016/0	Hood Front, Black			
11	1	325785298/0	Dashboard Support			
12	4	125943010/0	Screw			
13	2	325270325/0	Guide			
14	2	112735599/0	Screw			
15	3	112735406/0	Screw			
16	3	112523040/0	Washer			
17	1	325120259/2	Dashboard			
18	2	125943010/0	Screw			
19	2	325260003/0	Grommet			
21	1	325120203/0	Cover			
22	1	382869037/0	Muffler Protection			
23	1	112735599/0	Screw			
25	1	325110397/1	Black Central Cover			
26	1	125943010/0	Screw			
27	2	325076955/0	Frontal Moulding			
28	1	325207197/0	Cover			
29	1	325207198/0	Cover			
30	1	325207199/0	Cover			
31	4	112735403/0	Screw			
32	1	325207196/0	Cover			
33	4	112735406/0	Screw			
34	1	325110435/0	Black Wheels Cover			
35	1	112437506/0	Plate			
36	2	125943010/0	Screw			
42	1	325110384/0	Right Footboard Cover	As Optional - Not present on all assortment		
43	1	325110385/0	Left Footboard Cover	As Optional - Not present on all assortment		
55	1	325207191/0	Plate	Not needed for Hydro Model		



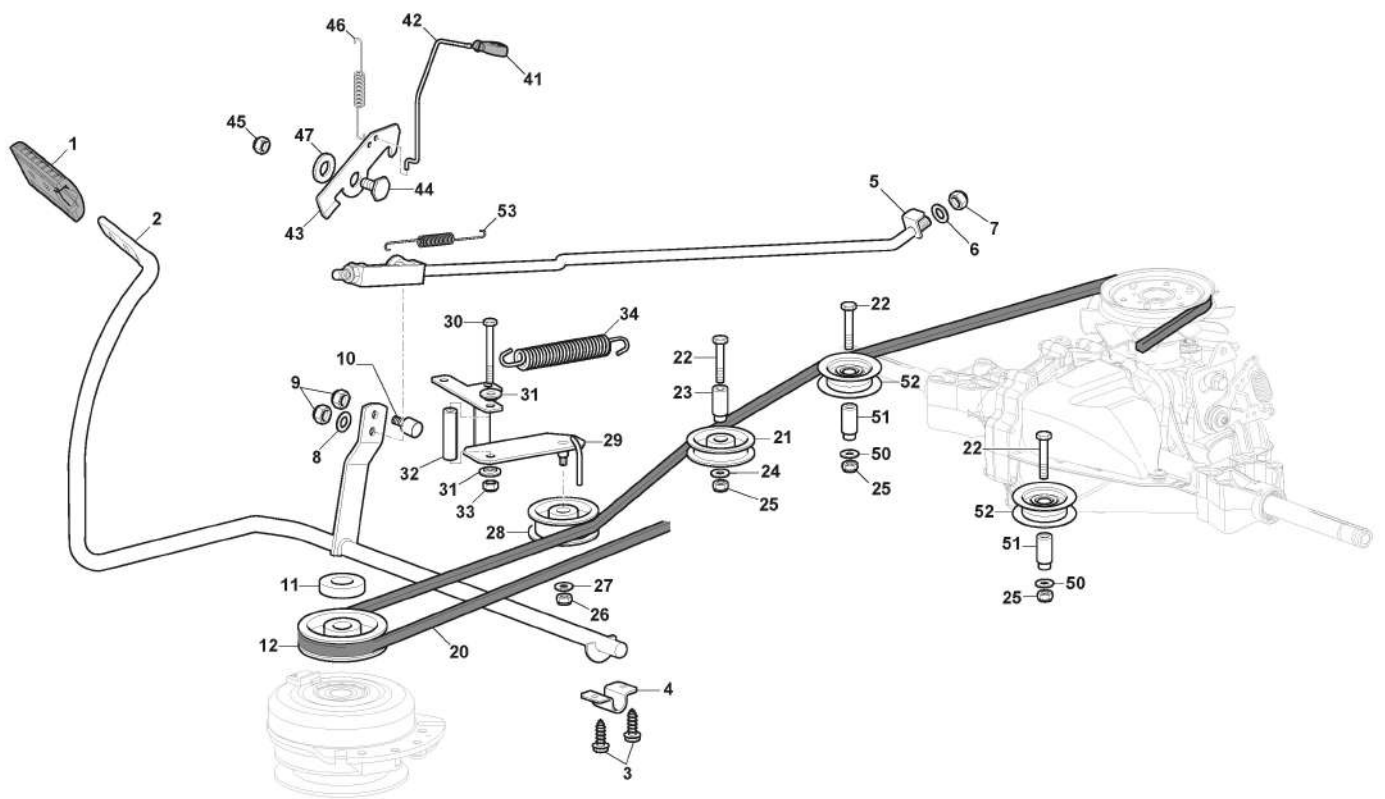
Steering

Zn. c.	Množ.	Kód výrobku	Popis	Poznámky	From	Až do
1	1	112692050/0	Screw			
2	1	112540260/0	Washer			
3	1	112523070/0	Washer			
4	1	125160047/0	Spacer			
5	1	325785318/0	Support			
6	1	325038008/0	Bushing			
7	1	125520007/0	Steering Column			
8	1	112620300/0	Spring			
9	1	112622650/0	Dowel pin			
10	1	125570003/0	Pinion			
11	2	127943051/0	Screw			
12	1	325785213/1	Support			
13	1	325743000/0	Joint			
14	1	112521370/0	Washer			
15	1	112436030/0	Plate			
20	1	322672151/0	Antifriction Washer			
21	1	125510104/0	Pin			To S/N 19LA3RON 007423
21	1	125510173/0	Pin		From S/N 19FA3RON 000287	
22	1	125670023/0	Washer			
23	1	125510109/0	Pin			To S/N 19FA3RON 000287
23	1	125510165/0	Pin		From S/N 19FA3RON 000287	
24	1	325735519/0	Steering Sector			
25	1	325547233/0	Plate			
26	1	112369500/0	Elastic Washer			
27	1	122160400/0	Elastic Disc			
28	2	112155010/0	Nut			
29	2	112155010/0	Nut			
31	1	382000566/2	Steering Rod	For Single Cylinder Engine		
32	2	112156602/0	Nut			
34	1	325318243/0	Lever			To S/N 19FA3RON 000055
34	1	382318323/0	Steering Control Lever		From 17-June-20 19	To S/N 19FA3RON 000055
35	1	112692390/0	Screw			To S/N 19FA3RON 000055
35	1	112692395/2	Screw		From 17-June-20 19	To S/N 19FA3RON 000055
36	2	112521360/0	Washer	no more needed		To S/N 19FA3RON 000055
37	1	112155020/0	Nut		From 17-June-20 19	To S/N 19FA3RON 000055
37	1	112156602/0	Nut			To S/N 19FA3RON 000055
38	2	125510103/0	Pin			
39	1	325840029/0	Tie Rod			
40	2	325038007/0	Bushing			
41	1	382230373/0	Right Stub Axle			To S/N 19FA3RON 000055
41	1	382230373/1	Right Stub Axle		From S/N 19FA3RON 000055	To S/N 19FA3RON 000055
42	1	382230375/0	Left Stub Axle			To S/N 19FA3RON 000055
42	1	382230375/1	Left Stub Axle		From S/N 19FA3RON 000055	To S/N 19FA3RON 000055
43	2	112155000/0	Nut			
45	1	382034030/0	Equalizer With Bush And Lubricator			
46	2	112379511/0	Grease Dispenser			
47	4	125034002/1	Bushing			
48	1	112001010/0	Benzing Ring			



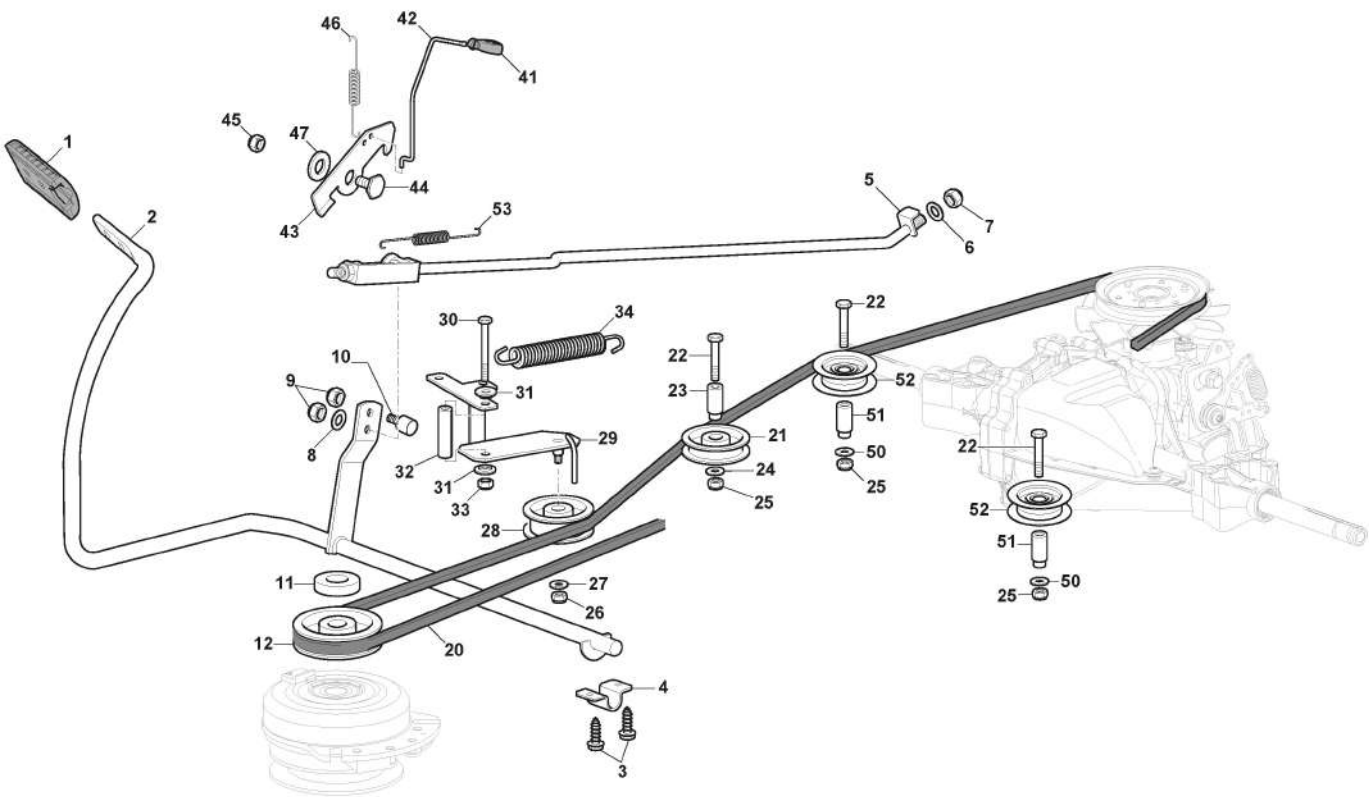
Steering

Zn. c.	Množ.	Kód výrobku	Popis	Poznámky	From	Až do
51	1	112692695/0	Screw			
52	2	112523100/0	Washer			
53	1	125160016/1	Spacer			
54	1	112587100/0	Grower			
55	1	112295300/0	Nut			
61	4	125122200/2	Bearing			
62	2	125590019/0	Tyre	15"		
63	2	125950000/0	Valve			
64	2	382680051/0	Wheel Assy	15" - P512		
66	2	125670005/2	Washer			
67	2	112001010/0	Benzing Ring			
68	2	322110233/0	Hub Cover	Standard Cover		
70	1	382180142/0	Outfit, Screws	Pos 1-4 incl.		



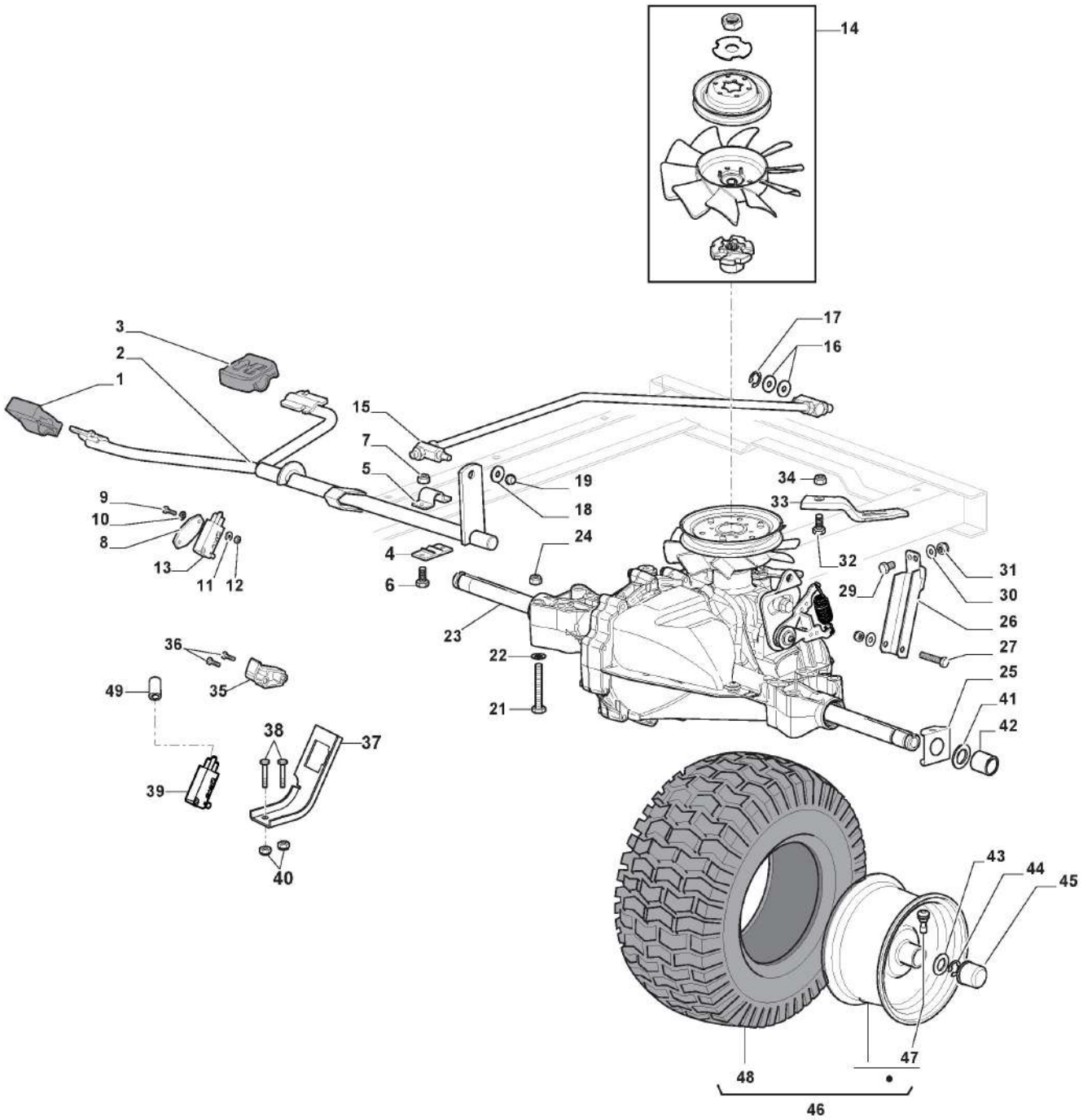
Brake And Gearbox Controls

Zn. c.	Množ.	Kód výrobku	Popis	Poznámky	From	Až do
1	1	325110409/0	Clamp Cover			
2	1	382000641/0	Pedal			To S/N 19FA3RON
2	1	382000641/1	Pedal		From S/N 19FA3RON 000275	
3	4	112735599/0	Screw			
4	2	325547231/0	Plate			To S/N 20JA3RON
4	2	325547231/1	Plate		From S/N 20JA3RON	000566
5	1	382000636/0	Rod			
6	1	112521360/0	Washer			
7	1	112156602/0	Nut			
8	1	325670011/0	Antifriction Washer			
9	2	112155000/0	Nut			
10	1	125510116/0	Pin			To S/N 19DA3RON
10	1	125510166/0	Pin		From S/N 19DA3RON 003315	
11	1	125160021/0	Spacer			
12	1	125601577/0	Pulley			
20	1	135062001/0	Trapezoidal Belt			To 01-Septem
20	1	135062020/1	Trapezoidal Belt		From 01-Septem	ber-2014
21	1	125601555/0	Pulley		From 01-Septem	ber-2013
21	1	325601599/0	Pulley			
22	3	112691400/0	Screw			
23	1	125160051/0	Spacer			To S/N 00088193
23	1	125160083/0	Spacer		S/N 0000101	To S/N 19JA3RON
23	1	125160107/0	Spacer		From S/N 19JA3RON 001862	
24	3	112523060/0	Washer			
25	3	112155000/0	Nut			
26	1	112155000/0	Nut			
27	1	112523060/0	Washer			
28	1	125601554/0	Pulley			
29	1	382318245/0	Lever			
30	1	112691600/0	Screw			
31	2	125038002/1	Bushing			To 31-August-
31	2	125038021/0	Bushing		From 01-Septem	ber-2016
32	1	125160027/0	Spacer			
33	1	112155000/0	Nut			
34	1	125430262/0	Spring			
41	1	125394509/1	Knob		From 01-Septem	
41	1	325394534/0	Knob			To 31-August-
42	1	125033083/0	Rod			ber-2013
42	1	125033113/0	Rod		From 01-Septem	ber-2013
43	1	325253011/1	Hook			
44	1	122524970/2	Fulcrum Pin			To 31-August-
44	1	122524970/3	Pin		From 01-Septem	ber-2014
45	1	112155000/0	Nut			
46	1	125430213/0	Spring			
47	1	112523060/0	Washer			
50	2	112521350/0	Washer			
51	2	125160068/0	Spacer			To S/N 19FA3RON
51	2	125160111/0	Spacer		From S/N 19FA3RON	000496



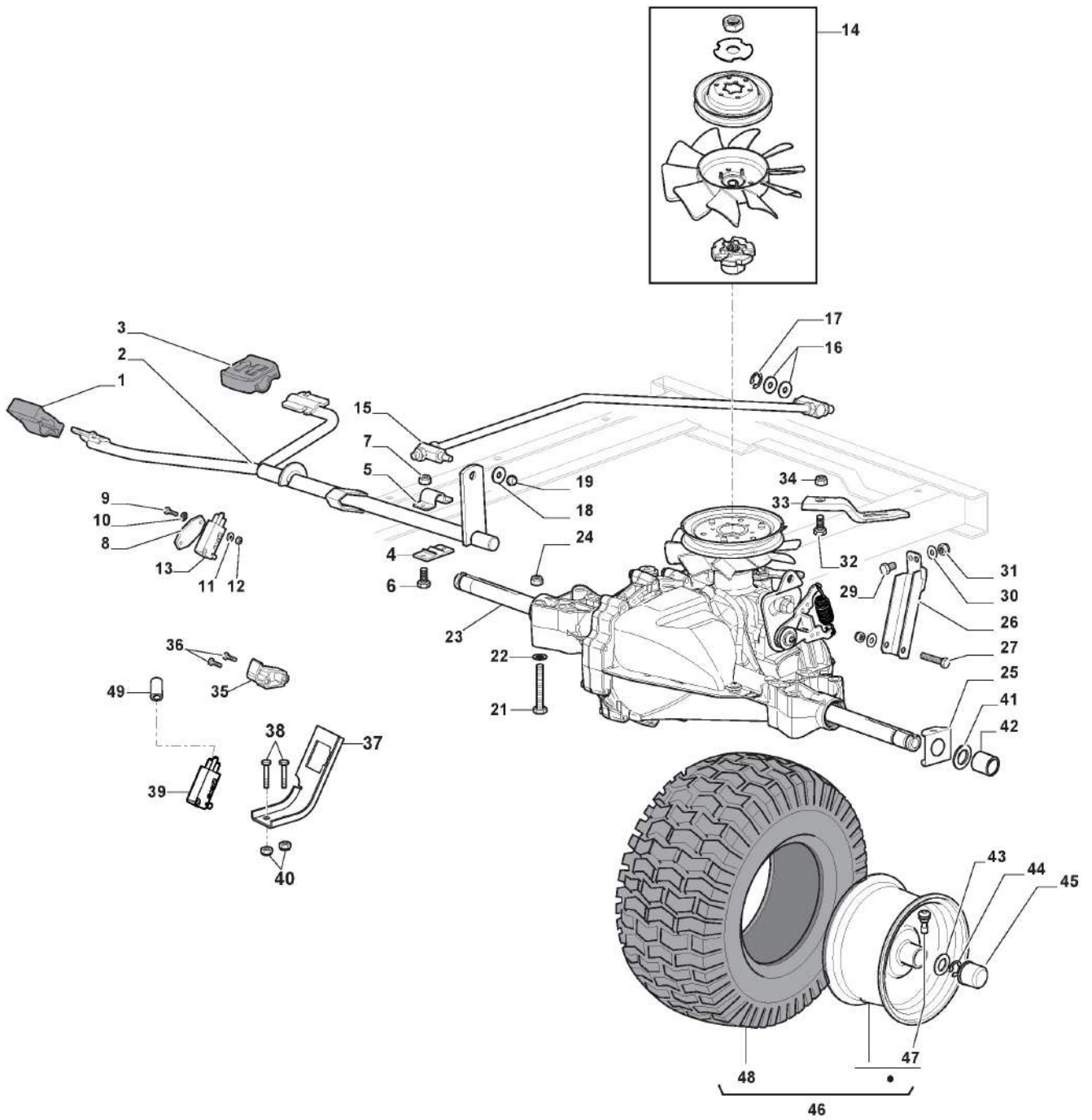
Brake And Gearbox Controls

Zn. c.	Množ.	Kód výrobku	Popis	Poznámky	From	Až do
52	2	125601592/0	Pulley			To S/N 20AA3RON 003891
52	2	125601608/0	Pulley		From S/N 20AA3RON	
53	1	125430269/1	Spring			



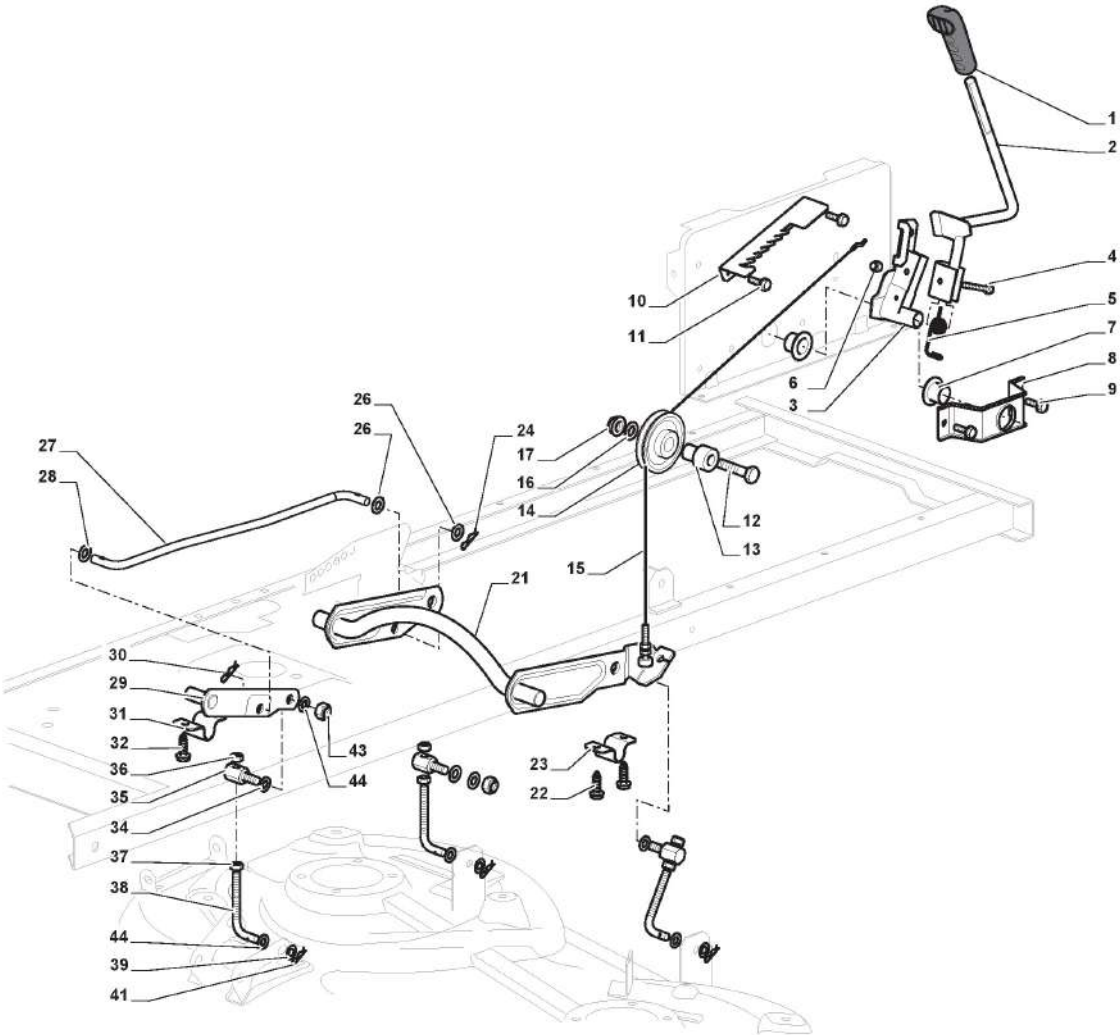
Transmission

Zn. c.	Množ.	Kód výrobku	Popis	Poznámky	From	Až do
1	1	325110274/0	Clamp Cover Front			
2	1	382000574/2	Drive Pedal			
3	1	325110331/0	Clamp Cover Rear			
4	2	325785350/0	Support			
5	2	325547231/0	Plate			To S/N 20JA3RON 000566
5	2	325547231/1	Plate		From S/N 20JA3RON	
6	4	112791213/1	Screw			
7	4	112154510/0	Nut			
8	1	327546019/0	Neutral Switch Fixing Plate			
9	2	112735602/0	Screw			
10	2	112540020/0	Washer			
11	2	112581100/0	Grower			
12	2	112290791/0	Nut			
13	1	119410609/1LC	Micro Switch			
14	1	1139-2201-01	Kit, Fan Pulley			
15	1	382000573/1	Rod			
16	2	325670011/0	Antifriction Washer			
17	1	112000940/0	Benzing Ring			
18	1	112523040/0	Washer			
19	1	112154510/0	Nut			
21	4	112691600/0	Screw			
22	4	112521350/0	Washer			
23	1	118400921/0	Rear Axle (Hydro-Gear T2-Adbf-2X3C-1Rx1)			
24	4	112155000/0	Nut			
25	2	325670026/0	Washer			
26	1	325785349/1	Support			
27	1	112691700/0	Screw			
29	1	112792611/0	Screw			
30	2	112523060/0	Washer			
31	2	112155000/0	Nut			
32	1	112791213/1	Screw			
33	1	325318251/0	Lever			
34	1	112154510/0	Nut			
35	1	325060034/1	Cam			
36	2	112735403/0	Screw			
37	1	325774573/0	Clamp			
38	2	112791400/0	Screw			
39	1	119410614/0	Microswitch			To
39	1	119410623/0	Microswitch		From 01-Septem ber-2019	
40	2	112154510/0	Nut			
41	2	125670005/2	Washer			
42	2	125160058/0	Spacer			To
42	2	125160058/1	Spacer		From 01-January- 2021	
43	6	125670005/2	Washer			
44	2	112001010/0	Benzing Ring			
45	2	322110233/0	Hub Cover	Standard Black		
46	2	382680042/0	Wheel Assy			To S/N 20EA3RON 001133
46	2	382680092/0	Wheel Assy 18"		From S/N	



Transmission

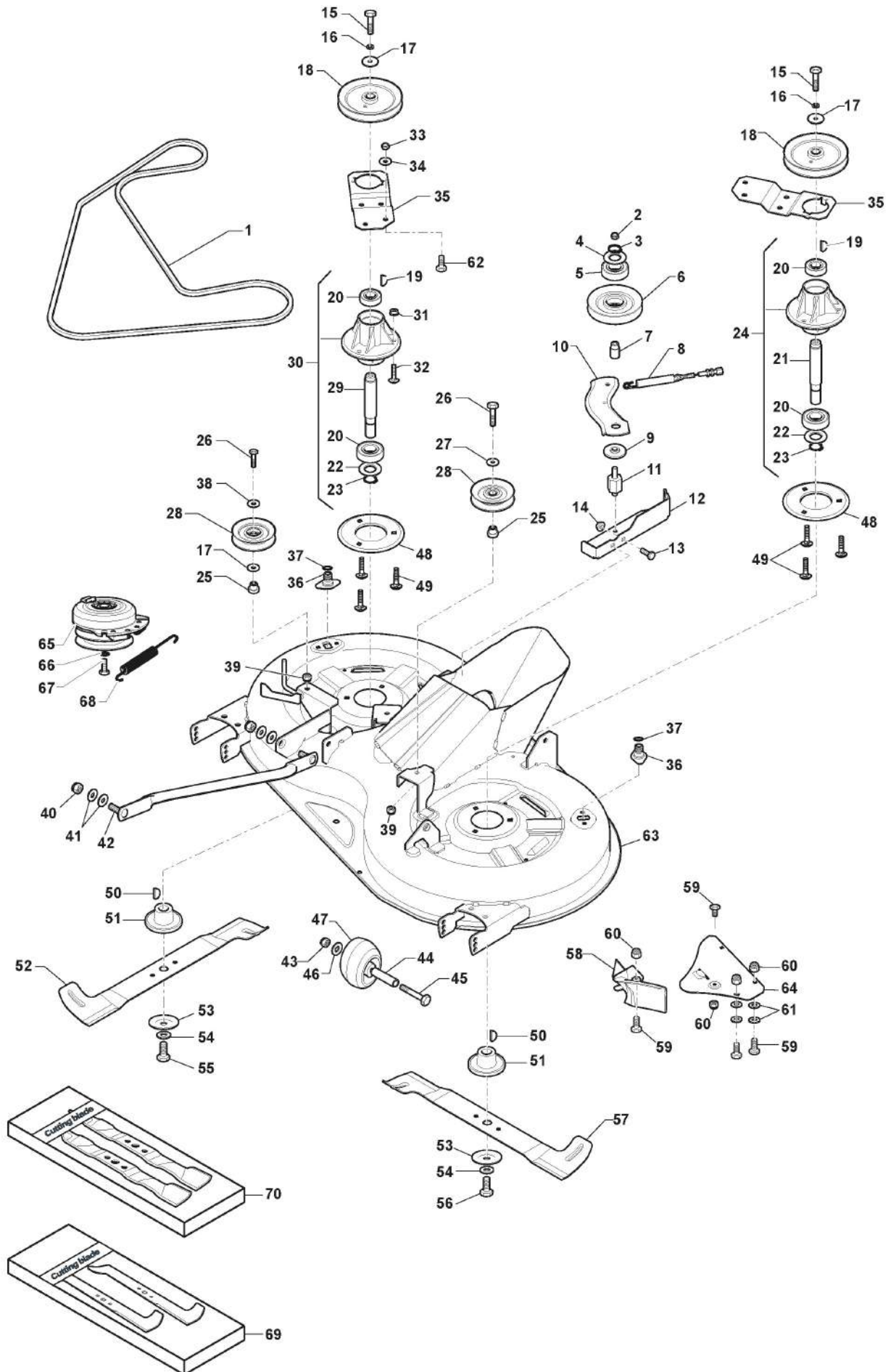
Zn. c.	Množ.	Kód výrobku	Popis	Poznámky	From	Až do
47	2	125950000/0	Valve			
48	2	125590015/0	Tyre			To S/N 20EA3RON
48	2	125590023/0	Tyre		From S/N 20EA3RON 001134	
49	2	118203851/0	Cap			



Cutting Plate Lifting

Zn. c.	Množ.	Kód výrobku	Popis	Poznámky	From	Až do
1	1	325394533/0	Knob			
2	1	382318255/0	Lever			
3	1	382318231/0	Axle			To S/N 20JA3RON 003036
3	1	382318231/1	Lifting Axle Assy		From S/N 20JA3RON	
4	1	112674700/0	Screw			
5	1	125430261/0	Spring			
6	1	112154510/0	Nut			
7	2	325038006/0	Bushing			
8	1	325785297/0	Support			
9	2	125943009/0	Screw			
10	1	325735515/0	Steering Sector			
11	2	125943009/0	Screw			
12	1	112793701/0	Screw			
13	1	125040636/1	Bushing			
14	1	125601579/0	Pulley			
15	1	382004620/0	Wire			
16	1	112523060/0	Washer			
17	1	112293201/0	Nut			
21	1	382318297/0	Axle			To S/N 19FA3RON 000412
21	1	382318297/1	Axle		From S/N 19FA3RON	
22	4	112735599/0	Screw			
23	2	325547231/0	Plate			To S/N 20JA3RON
23	2	325547231/1	Plate		From S/N 20JA3RON 000567	
24	1	124487997/0	Cotter Pin			
26	2	325670010/0	Antifriction Washer			
27	1	125033109/0	Connecting Rod			
28	1	325670010/0	Antifriction Washer			
29	1	382318293/0	Axle			To S/N 19FA3RON
29	1	382318293/1	Axle		From S/N 19FA3RON 000061	
30	1	124487997/0	Cotter Pin			
31	1	325547231/0	Plate			To S/N 20JA3RON 000566
31	1	325547231/1	Plate		From S/N 20JA3RON	
32	2	112735599/0	Screw			
34	3	325670008/1	Washer			
35	3	125510107/1	Pin			To S/N 19KA3RON 005043
35	3	125510170/0	Pin		From S/N 19FA3RON	
36	3	112156602/0	Nut			
37	3	112295200/0	Nut			
38	1	125840012/0	Tie Rod			To S/N 20BA3RON 001428
38	1	125840012/1	Tie Rod		From S/N 20BA3RON	
39	3	325670008/1	Washer			
41	3	124487998/0	Cotter Pin			
43	3	112156602/0	Nut			
44	6	112521360/0	Washer			

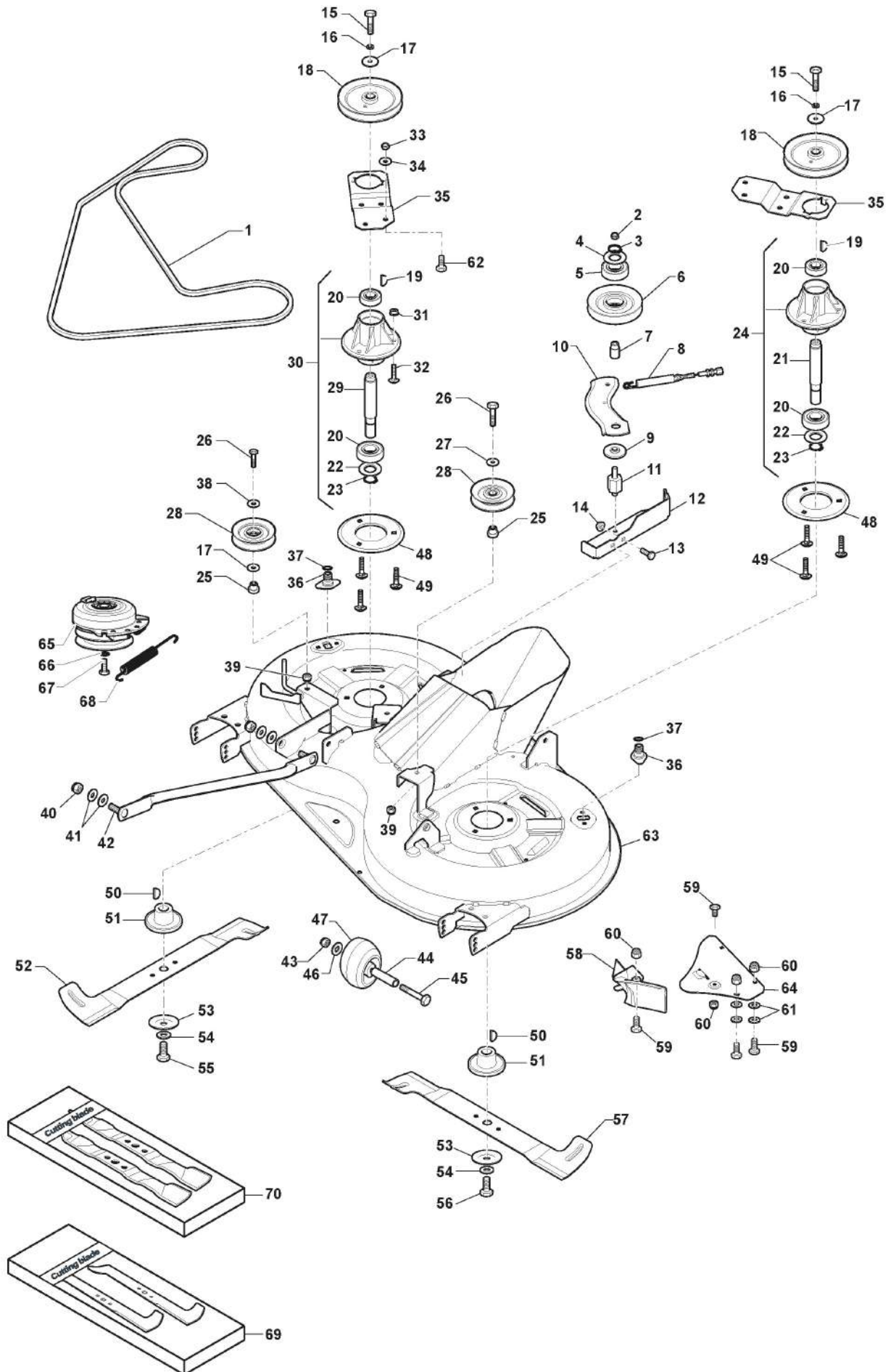
Cutting Plate with Electromagnetic Clutch



Cutting Plate with Electromagnetic Clutch

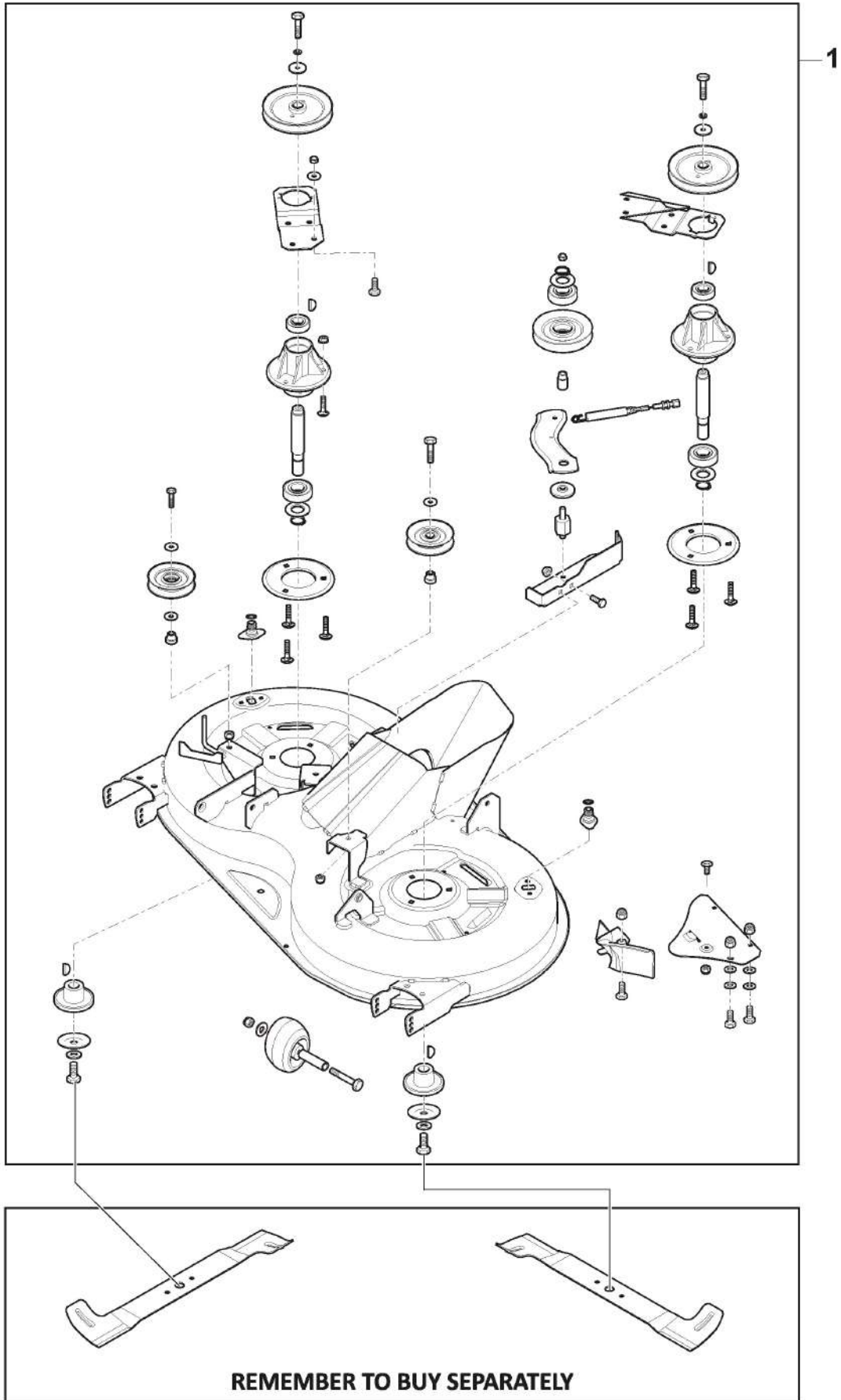
Zn. c.	Množ.	Kód výrobku	Popis	Poznámky	From	Až do
1	1	135061509/0	V-Belt			
2	1	112293201/0	Nut			
3	1	112524010/0	Washer			
4	1	112610800/0	Seeger			
5	1	119216041/0	Bearing			To
5	1	119216048/0	Bearing		From	31-August-2018
6	1	125601595/0	Pulley			
7	1	125160052/0	Spacer			
8	1	382004618/0	Wire			
9	1	125040635/0	Bushing			
10	1	325318343/0	Lever			
11	1	125160049/0	Spacer			
12	1	325785391/0	Bracket			
13	2	112818690/0	Screw			
14	2	112154210/0	Nut			
15	2	112793102/0	Screw			
16	2	112540260/0	Washer			
17	2	125670007/0	Washer			
18	2	125601604/0	Pulley			
19	2	112139480/0	Feather			
20	4	119216040/0	Bearing			To
20	4	119216047/0	Bearing		From	31-August-2018
21	1	125020804/0	Shaft			
22	2	325160501/0	Dust Cover Disc			To
22	2	325160501/1	Dust Cover Disc		From	01-January-2019
23	2	112609260/0	Seeger			
24	1	382207204/1	Flange Assy			
25	2	125160082/0	Spacer			To S/N
25	2	125160110/0	Spacer		From S/N	19FA3RON000413
26	2	112691115/0	Screw			
27	2	112524010/0	Washer			
28	2	325601599/0	Pulley			
29	1	125020805/0	Shaft			
30	1	382207205/1	Flange Assy			
31	6	112154210/0	Nut			
32	6	112818690/0	Screw			
33	1	112154210/0	Nut			
34	1	112523060/0	Washer			
35	1	325774617/0	Stiffening			
36	2	325033086/0	Water Hose Connection			
37	2	119035000/0	Or Ring			
38	1	112523060/0	Washer			
39	3	112293201/0	Nut			
40	4	112156602/0	Nut			
41	8	325670008/1	Washer			
42	2	382000565/0	Equalizer Rod			To
42	2	382000565/1	Equalizer Rod		From	01-September-2016
43	2	112293201/0	Nut			

Cutting Plate with Electromagnetic Clutch



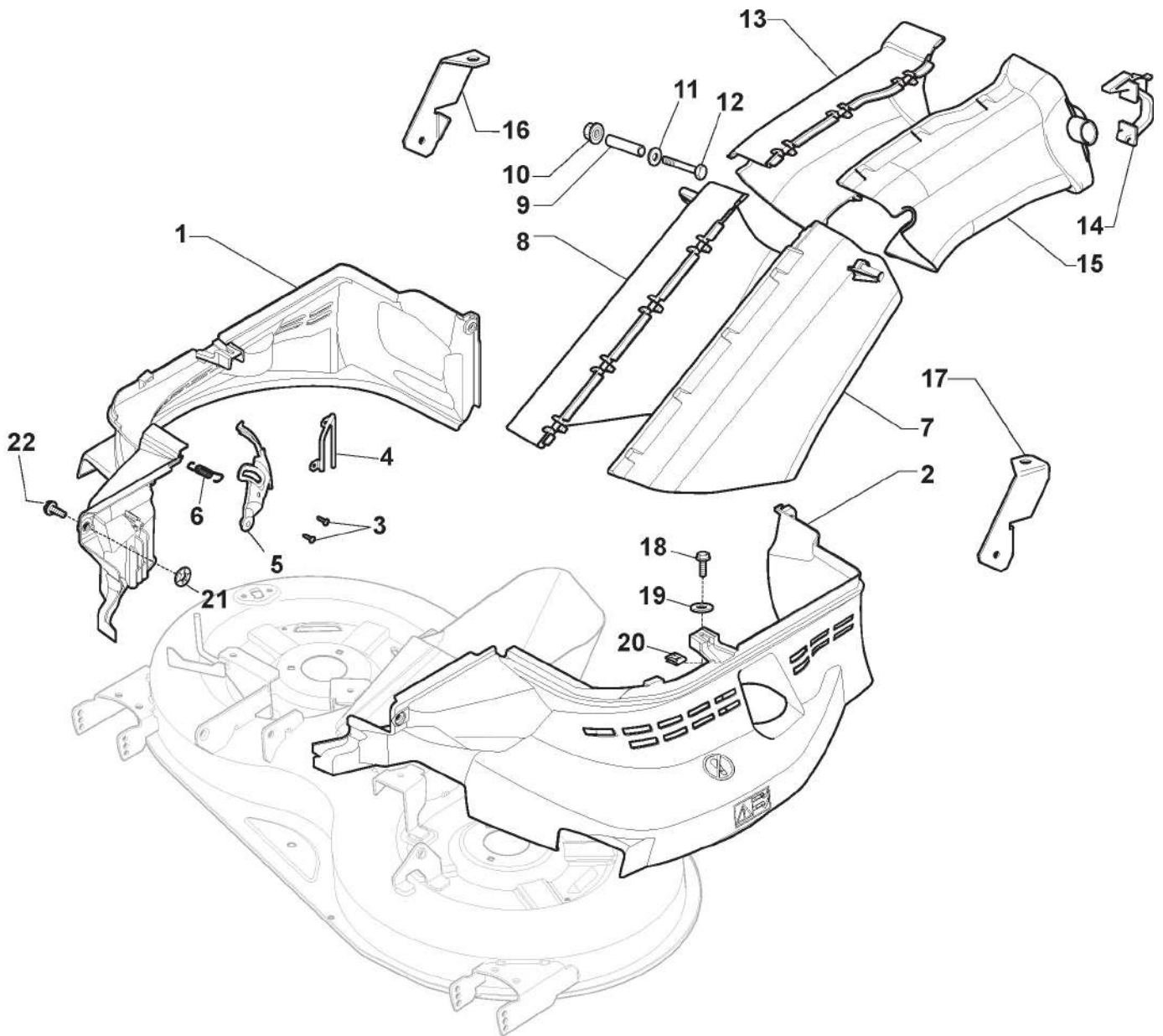
Cutting Plate with Electromagnetic Clutch

Zn. c.	Množ.	Kód výrobku	Popis	Poznámky	From	Až do
44	2	125160072/0	Spacer			
45	2	112692100/0	Screw			
46	2	112521350/0	Washer			
47	2	182700005/0	Anti Scalp Wheel Ø 90			
48	2	325160505/0	Disc			
49	6	112818700/0	Screw			
50	2	112139100/0	Key			
51	2	1134-9159-01	Blade Holder	with STIGA Pack		
51	2	125463200/0	Blade Hub	without Pack		
52	1	182004362/0	Right Blade, Winged	Winged		
52	1	182004364/0	Right Mulching Blade	Mulching		
53	2	122160400/0	Elastic Disc			
54	2	112523080/0	Washer			
55	1	112735695/1	Screw			
56	1	112735694/0	Screw			
57	1	182004346/0	Mulching Blade	Mulching		
57	1	182004363/0	Left Blade, Winged	Winged		
58	1	325140111/0	Deflector			
59	3	112791213/1	Screw			
60	6	112154510/0	Nut			
61	4	112523040/0	Washer			
62	1	112793102/0	Screw			
63	1	382564118/0	Cutting Plate Black			
64	1	325785509/0	Rear Deflector Suppot			
65	1	118399069/0	Electromagnetic Clutch			
66	1	112543000/0	Washer			
67	1	112737320/0	Screw			
68	1	125430277/0	Spring			
69	1	1134-9226-01	Winged Blades	Stiga packed into 182004362/0 + 182004363/0		
70	1	1134-9234-01	Mulching Blades	Stiga packed into 182004364/0 + 182004346/0		



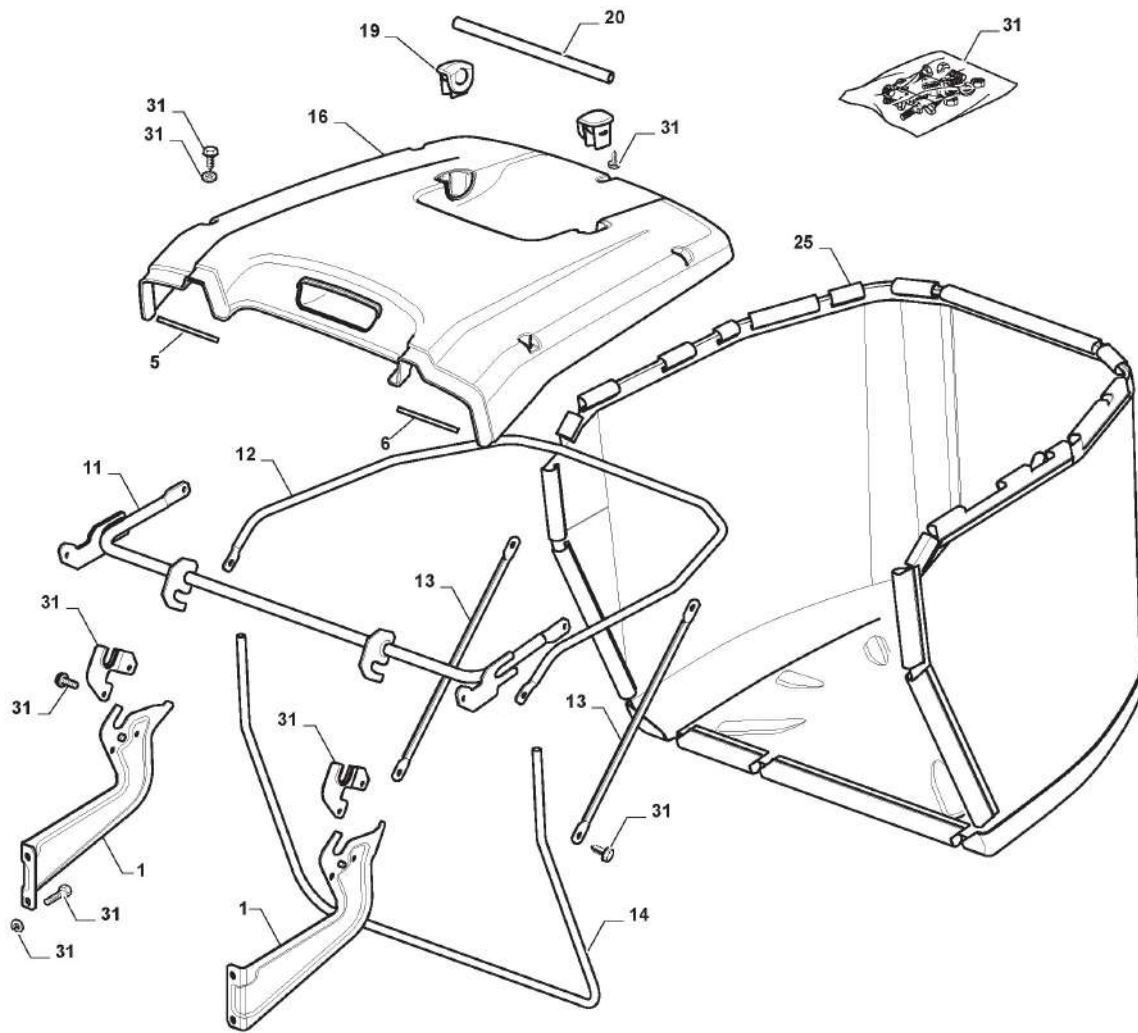
Cutting Deck Assy - MP98

Zn. c.	Množ.	Kód výrobku	Popis	Poznámky	From	Až do
1	1	382565109/0	Cutting Plate Assy, Black	Black		



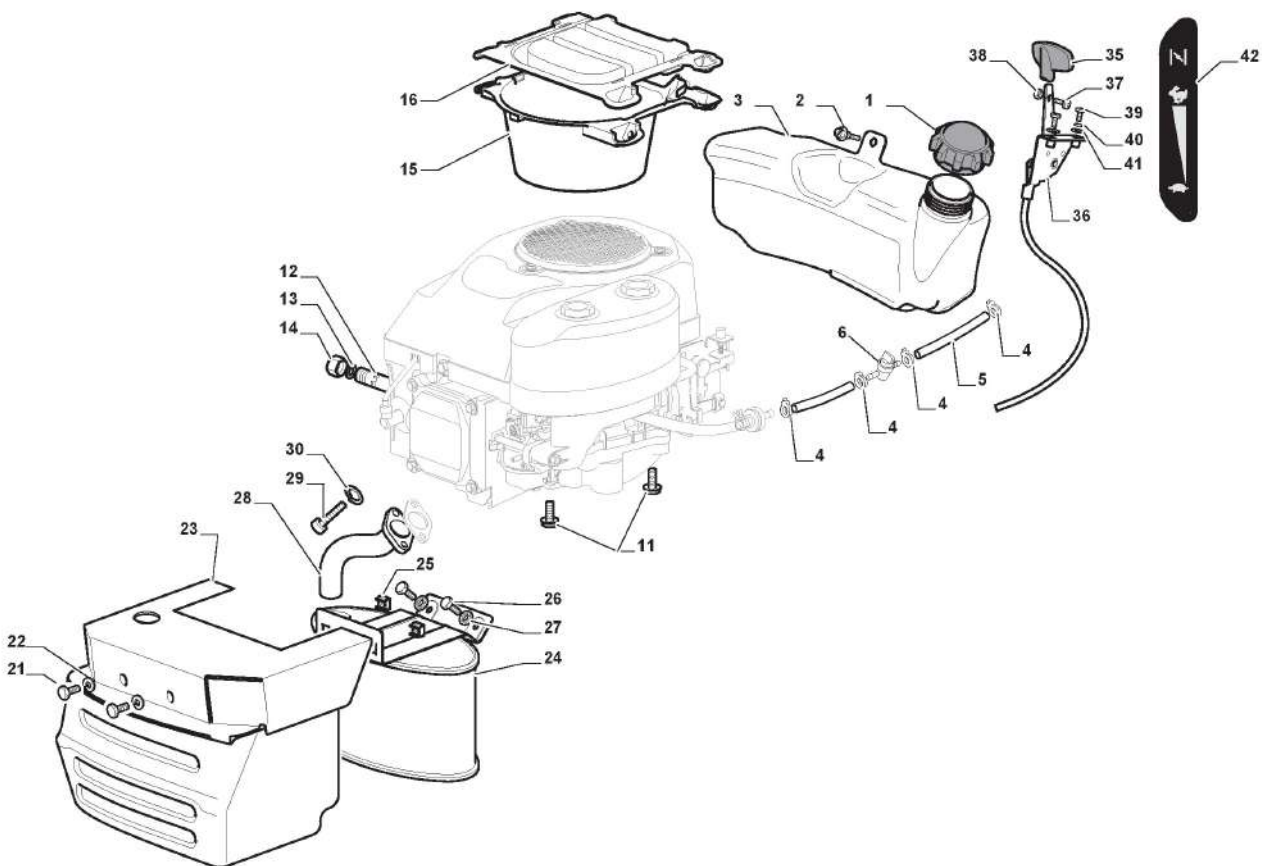
Belt Protections

Zn. c.	Množ.	Kód výrobku	Popis	Poznámky	From	Až do
1	1	325060174/0	Conveyor			
2	1	325060175/0	Conveyor			
3	2	112735110/0	Screw			
4	1	382270309/0	Bracket			
5	1	325547346/0	Bracket			
6	1	125430213/0	Spring			
7	1	325108065/0	Conveyor			
8	1	325108064/0	Conveyor			
9	2	125160071/0	Spacer			To S/N 19LA3RON 007423
9	2	125160109/0	Spacer		From S/N 19LA3RON	
10	2	112154510/0	Nut			
11	2	112521340/0	Washer			
12	2	112792425/0	Screw			
13	1	325108056/0	Conveyor			
14	2	325774499/0	Clamp			
15	1	325108057/0	Conveyor			
16	1	325774527/0	Clamp			
17	1	325774529/0	Clamp			
18	2	112789008/0	Screw			
19	2	112523020/0	Washer			
20	2	112437503/0	Plate			
21	4	112604899/0	Crown Fastener			
22	4	125943011/0	Screw			



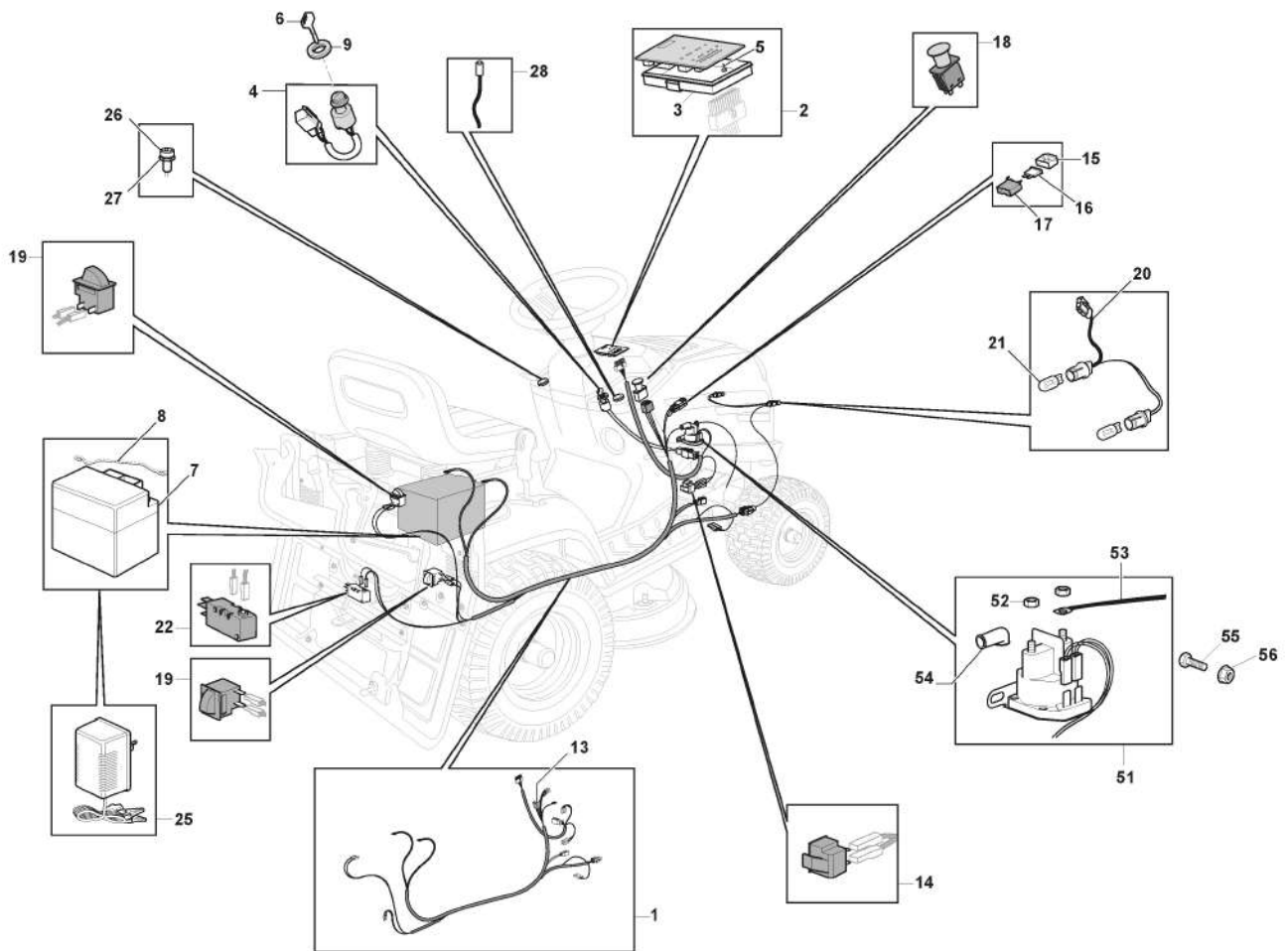
Grasscatcher

Zn. c.	Množ.	Kód výrobku	Popis	Poznámky	From	Až do
1	1	382785289/0	Support Ass.Y			
5	1	125270802/0	Seal			
6	1	125270803/0	Seal			
11	1	382800147/0	Upper Frame			
12	1	382800145/0	Upper Frame			
13	2	325650161/0	Stiffening			
14	1	382800143/0	Front Frame			
16	1	325110437/0	Black Grass-Catcher Cover			
19	2	325785417/0	Support			
20	1	325394538/0	Handle			
25	1	182105942/0	Grasscatcher	Black without Logo		
31	1	382180122/1	Outfit, Screws			



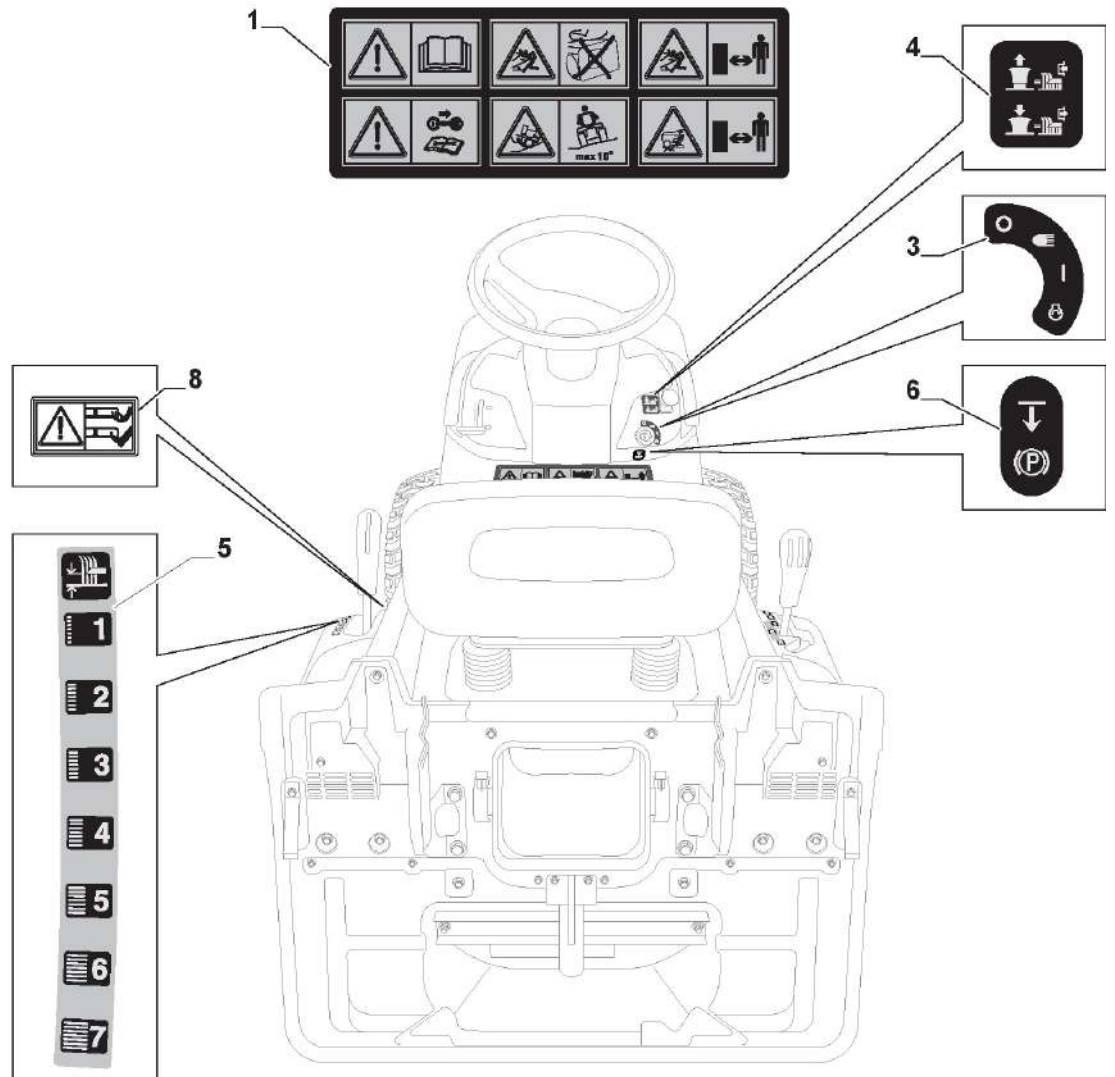
Engine - ST.

Zn. c.	Množ.	Kód výrobku	Popis	Poznámky	From	Až do
1	1	125795001/1	Cap			
2	4	125943006/0	Screw			
3	1	325735126/0	Fuel Tank			To
3	1	325735126/1	Tank		From	31-August-2017
4	4	118375051/1	Fair Led			
5	1	325869057/0	Connecting Tube			
6	1	118562996/0	Shut out valve			
11	4	112735108/1	Screw			
12	1	127598060/0	Oil Discharge Extension			
13	1	118401001/1	Oil Seal			
14	1	118737849/0	Plug			
15	1	325108044/0	Conveyor			To
15	1	325108044/1	Conveyor	if foreseen in assortment	From	
16	1	325263302/1	Air Intake Grill	if foreseen in assortment	01-September-2010	
21	2	112792611/0	Screw			
22	2	112540260/0	Washer			
23	1	382598045/0	Muffler Protection			To
23	1	382598045/1	Muffler Protection		From	25-May-2019
24	1	182750010/0	Muffler			
25	2	112360425/0	Nut			
26	2	112792611/0	Screw			
27	2	112540260/0	Washer			
28	1	118738231/1	Exhaust Tube			
29	2	112737450/0	Screw			
30	2	112540260/0	Washer			
35	1	325394531/0	Knob			
36	1	182000215/0	Accelerator			
37	1	112726389/0	Screw			
38	1	112290800/0	Nut			
39	2	112726389/0	Screw			
40	2	112540020/0	Washer			
41	2	112521310/0	Washer			
42	1	114363697/0	Label			



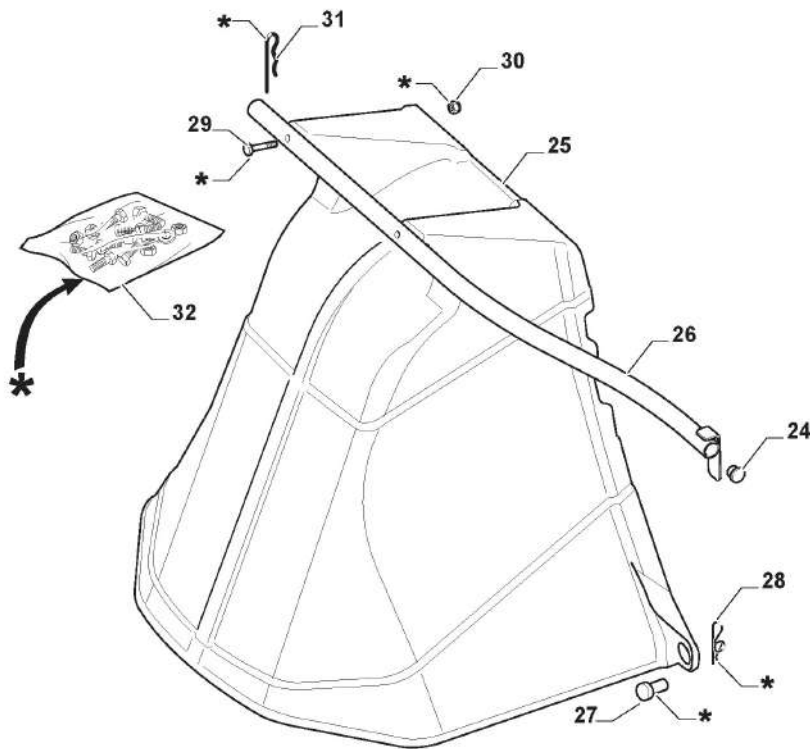
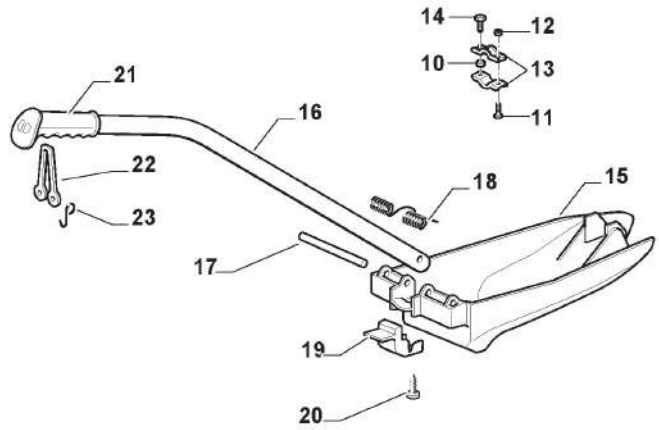
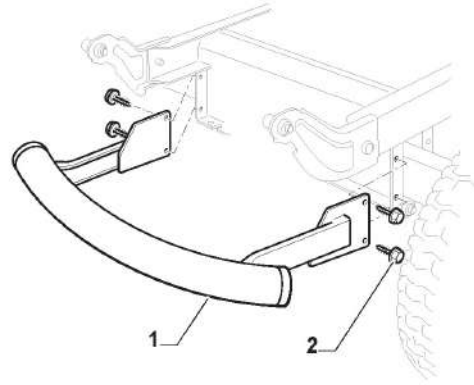
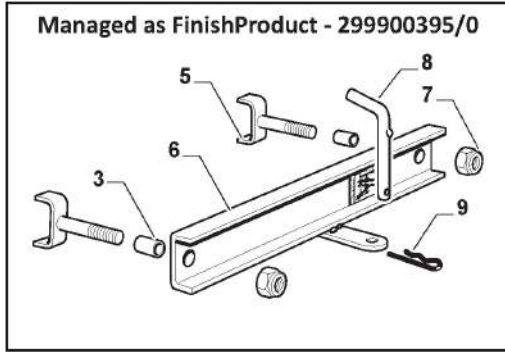
Electrical Parts

Zn. c.	Množ.	Kód výrobku	Popis	Poznámky	From	Až do
1	1	182040199/1	Cables Ass.Y			
2	1	382722444/1	Electronic Card	LS marked		
3	1	325600090/1	Card Protection			
4	1	118450075/1	Starting Switch			
5	3	112727810/0	Screw			
6	1	118210023/0	Starting Key			
7	1	118120007/0	Battery			
8	1	125430265/1	Spring			
9	1	118400863/0	Screwed Ring			
13	1	133567000/0	Relay	Only for Honda Engines		
14	1	119410623/0	Microswitch			
15	2	133215000/0	Cover			
16	2	133340036/0	Fuse 25 A	25A		
16	2	133340040/0	Fuse 10 A	10A		
17	2	133500007/0	Fuse Carrier			
18	1	118450073/0	Clutch Switch	Yellow		
18	1	118450074/0	Clutch Switch	Red		
19	2	119410622/1	Microswitch			
20	1	182040186/0	Cable	for Lamp Version		
21	2	118459100/0	Lamp For Lights	NOT for models with LED Light		
22	1	119410605/1	Microswitch			
25	1	182180090/0	Battery Charger 12V 1A - CE Plugg	CE Plug		
26	1	325605003/0	Button			
27	2	325256250/0	Screwed Ring			
28	1	182040174/0	Led Wiring Assy	LED cable for alarm on dashboard		
51	1	118736112/0	Solenoid			
52	2	112361005/0	Nut			
53	1	125065002/0	Cable			
54	1	118564864/1	Protection			
55	1	112790781/0	Screw			
56	2	112154510/0	Nut			



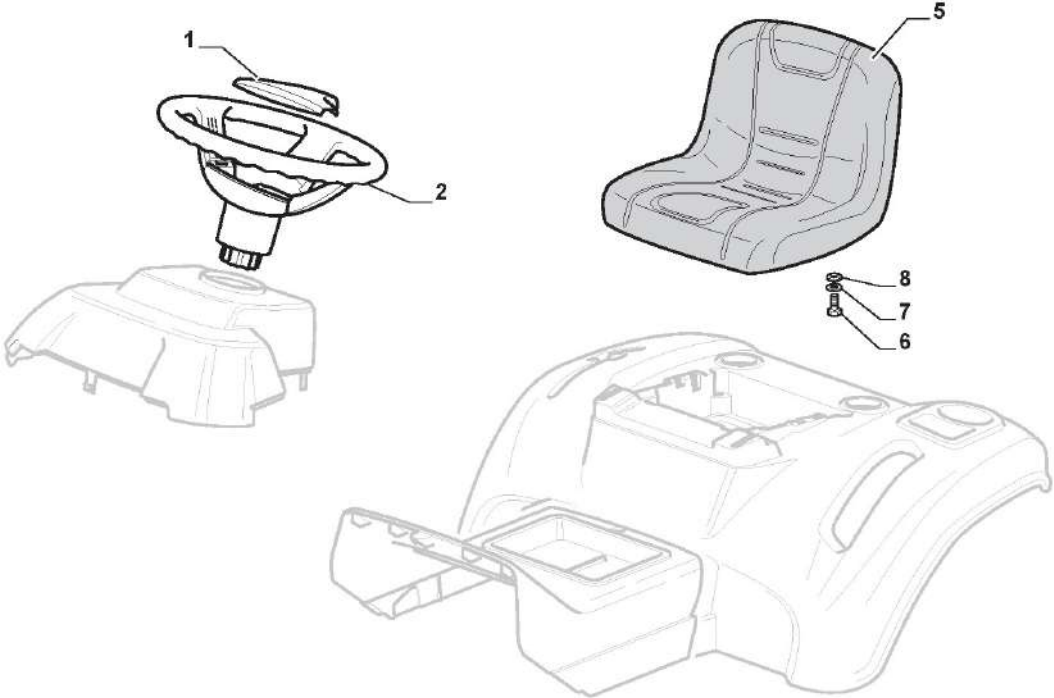
Labels

Zn. c.	Množ.	Kód výrobku	Popis	Poznámky	From	Až do
1	1	114361553/1	Label			
3	1	114363699/0	Label			
4	1	114361438/0	Label			
5	1	114363701/0	Label			To
5	1	114366142/0	Label		From	
6	1	114363700/0	Label		01-September-2014	
8	1	114356699/1	Label			



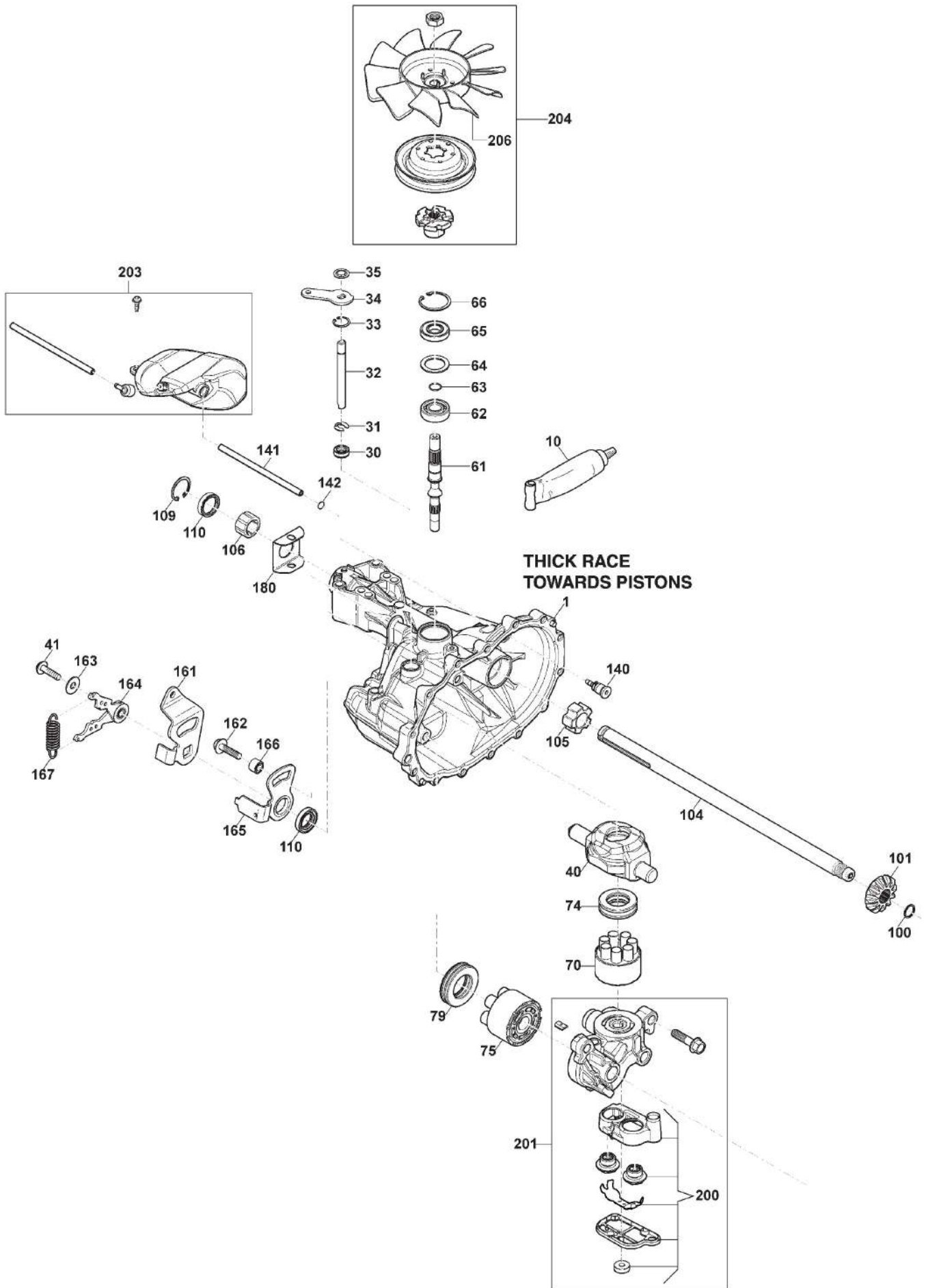
Optionals On Request

Zn. c.	Množ.	Kód výrobku	Popis	Poznámky	From	Až do
1	1	382869038/0	Muffler Protection			
2	4	112735599/0	Screw			
3	2	125160074/0	Spacer			To S/N
3	2	125160108/0	Spacer		From S/N	19JA3RON
5	2	382650211/0	Stiffening			001409
6	1	382033119/0	Tow Bar Assy	Available on 299900395/0		
7	2	112155000/0	Nut			
8	1	125510021/1	Hitch Pin			
9	1	124487999/0	Spring Pin			
10	1	122170600/0	Spacer			
11	1	112792099/0	Screw			
12	3	112292102/0	Nut			
13	2	327546015/2	Plate			
14	1	112791400/0	Screw			
15	1	325140112/0	Deflector			
16	1	325394021/0	Handle			
17	1	125510077/0	Pin			
18	1	125430245/0	Spring			
19	1	325547414/0	Plate			
20	1	112735403/0	Screw			
21	1	325280000/1	Handgrip			
22	1	125840011/1	Tie Rod			
23	2	125253004/0	Mulch.Kit Fixing Hook			
24	2	118566112/0	Polyethylene Push Road Ivars D=20inch			
25	1	325600093/0	Ejection Guard			To
25	1	325600093/1	Ejection Guard		From	31-August-
26	1	382869044/0	Support			2017
27	2	125510022/1	Pin			
28	2	124487998/0	Cotter Pin			
29	2	112689515/0	Screw			
30	2	112154510/0	Nut			
31	1	124487999/0	Spring Pin			
32	1	382180028/0	Outfit, Screws			



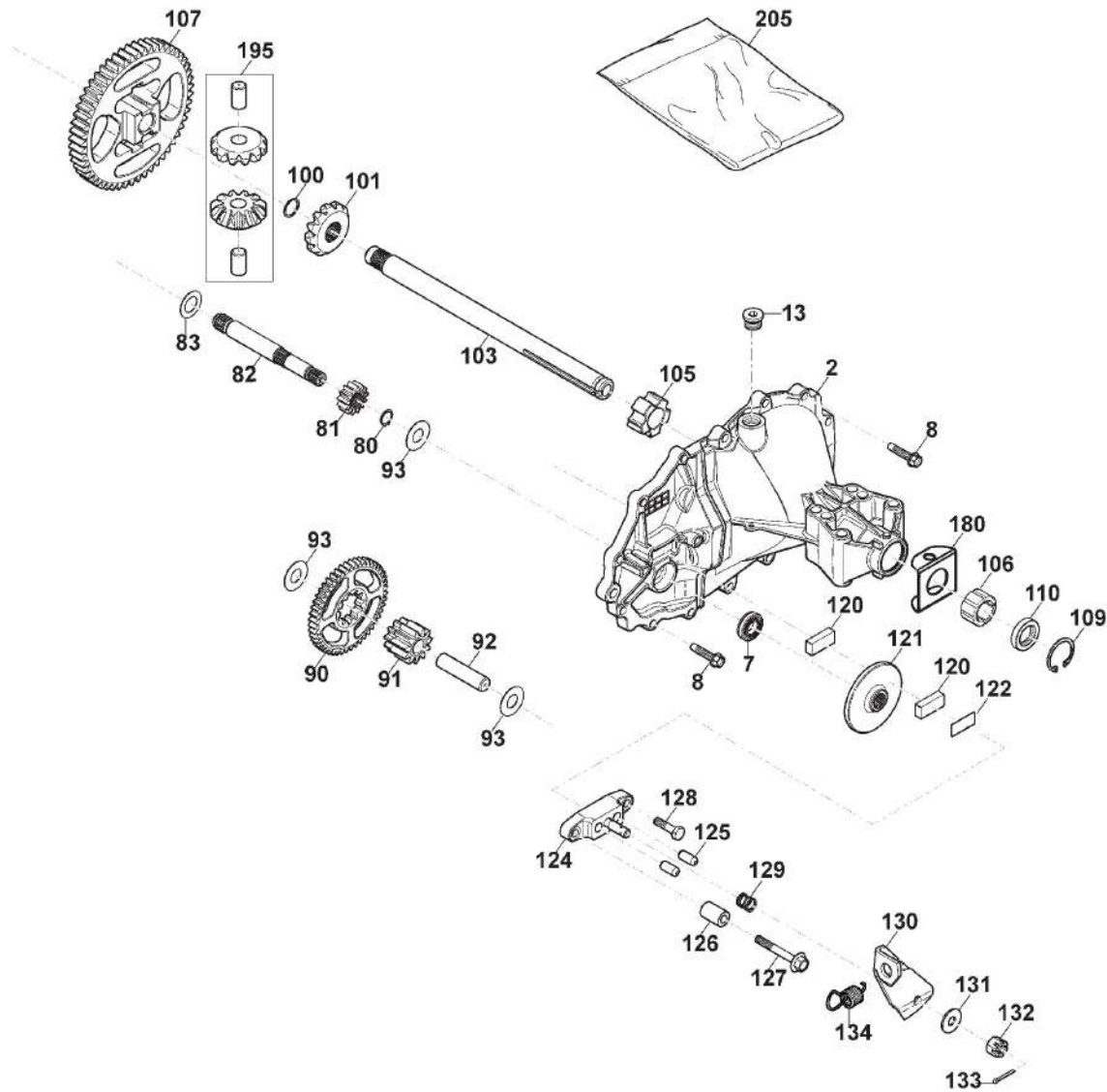
Seat & Steering Wheel

Zn. c.	Množ.	Kód výrobku	Popis	Poznámky	From	Až do
1	1	325580503/0	Steering Plate Cover			
2	1	325961219/0	Steering Wheel			
5	1	125722472/0	Seat			
6	4	112792611/0	Screw			
7	4	112540260/0	Washer			
8	4	112523060/0	Washer			



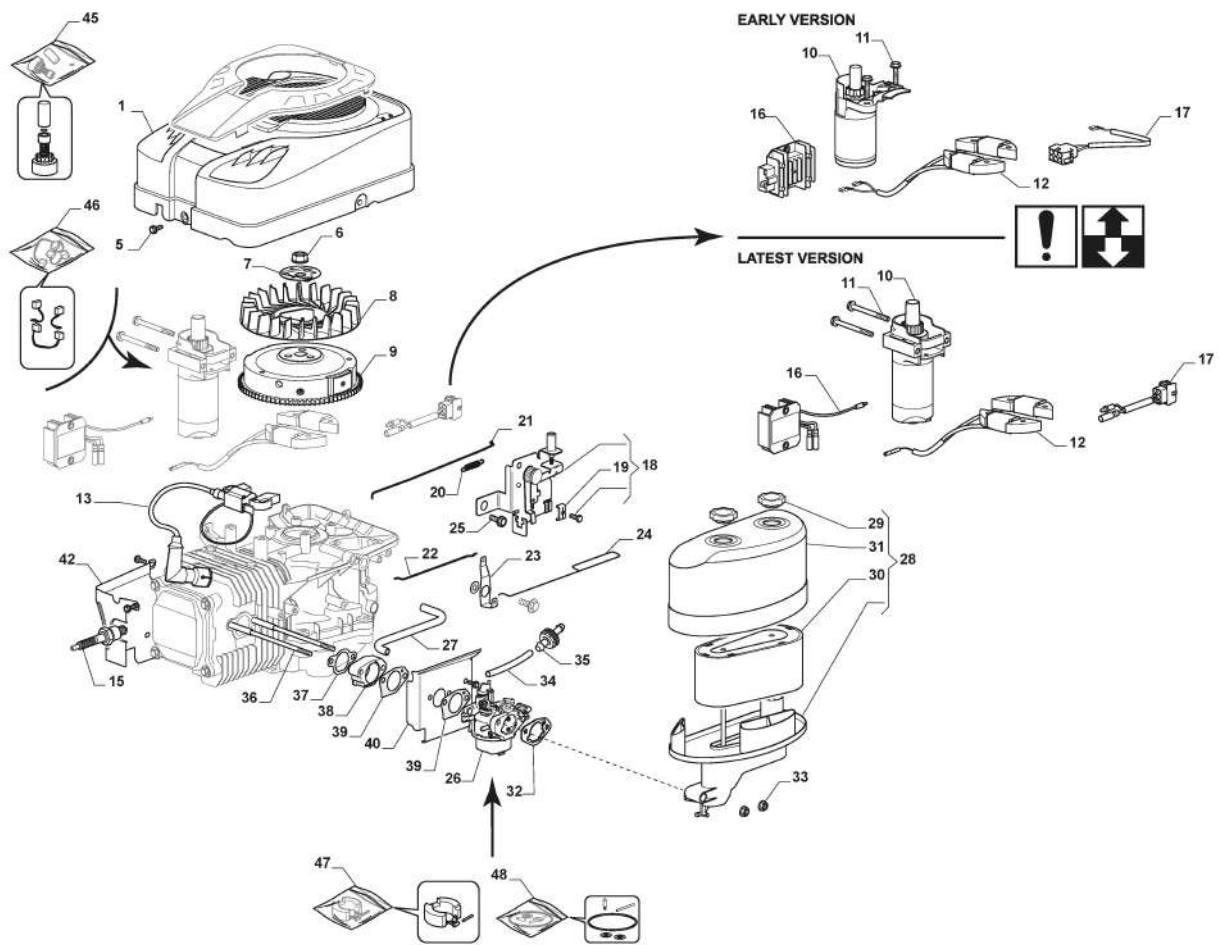
Transmission Unit, Hydro-Gear T2-ADBF-2X3C-1RX1

Zn. c.	Množ.	Kód výrobku	Popis	Poznámky	From	Až do
1	1	118870120/0	Main Housing			
10	1	1139-2022-01	Sealant			
30	1	118870079/0	Seal			
31	1	118870081/0	Retaining ring			
32	1	1139-2203-01	Rod			
33	1	118870080/0	Retaining ring			
34	1	118870091/0	Arm			
35	1	118870082/0	Retaining ring			
40	1	118870090/0	Swashplate			
41	1	118870083/0	Screw			
61	1	118870092/0	Shaft			
62	1	1139-2001-01	Ball Bearing			
63	1	1139-2003-01	Wire Retaining Ring			
64	1	1139-2004-01	Spacer			
65	1	1139-2000-01	Lip Seal			
66	1	1139-2002-01	Retaining Ring			
70	1	118870125/0	Pump Block Assy			
74	1	118870093/0	Bearing			
75	1	1139-2063-01	Cylinder Block			
79	1	1139-2021-01	Thrust Bearing			
100	2	118870072/0	Retaining ring			
101	2	118870063/0	Gear			
104	1	118870113/0	Shaft			
105	2	118870086/0	Bushing			
106	2	118870085/0	Bushing			
109	2	118870084/0	Retaining ring			
110	3	1139-2204-01	Shaft			
140	1	1139-2038-01	Fitting			
141	1	118870102/0	Tube			
142	1	1139-2075-01	O-Ring			
161	1	118870103/0	Arm			
162	1	1139-2026-01	Bolt			
163	1	1139-2011-01	Flat washer			
164	1	118870107/0	Arm Assy			
165	1	118870108/0	Arm			
166	1	118870104/0	Bushing			
167	1	118870089/0	Spring			
180	2	118870112/0	Plate			
200	1	118870123/0	Kit-Filter			
201	1	118870127/0	Center Section Kit			
203	1	118870122/0	Kit-Expansion Tank			
204	1	1139-2201-01	Kit, Fan Pulley			
206	1	118870129/0	Fan			



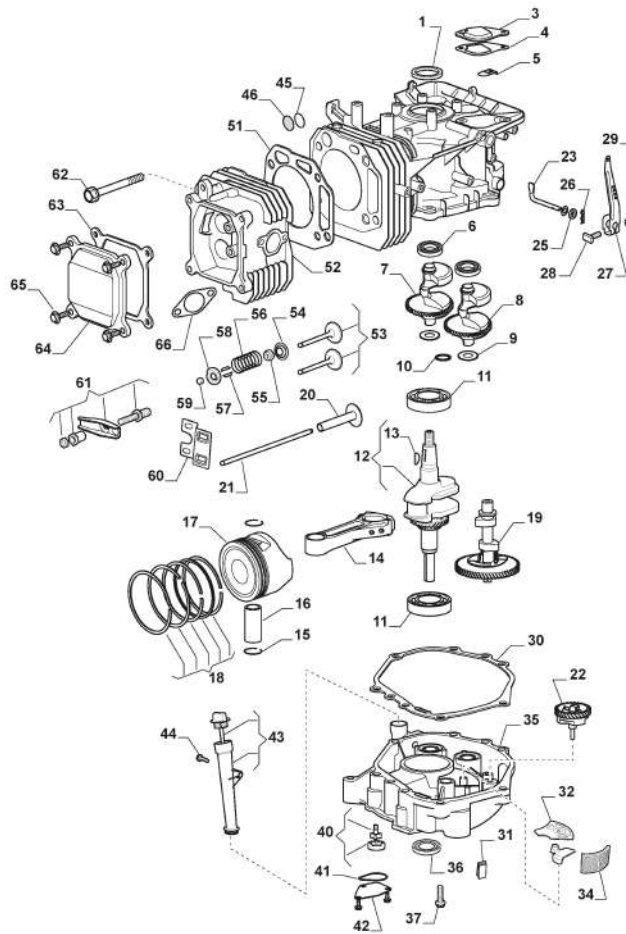
Transmission Unit, Hydro-Gear T2-ADBF-2X3C-1RX1

Zn. c.	Množ.	Kód výrobku	Popis	Poznámky	From	Až do
2	1	118870121/0	Side Housing			
7	1	118870111/0	Seal			
8	14	1139-2042-01	Screw			
13	1	1139-2010-01	Plug			
80	1	118870070/0	Retaining ring			
81	1	118870094/0	Gear			
82	1	118870095/0	Shaft			
83	1	118870096/0	Washer			
90	1	118870097/0	Gear			
91	1	118870098/0	Gear			
92	1	118870099/0	Pin			
93	3	1139-2016-01	Washer			
103	1	118870114/0	Shaft			
107	1	118870100/0	Gear			
120	2	118870066/0	Brake Pad			
121	1	118870101/0	Brake			
122	1	118870067/0	Brake Pad Support			
124	1	118870119/0	Brake Caliper			
125	2	118870069/0	Pin			
126	1	118870062/0	Spacer			
127	1	118870077/0	Screw			
128	1	118870071/0	Bolt			
129	1	118870076/0	Spring			
130	1	118870088/0	Brake Lever			
131	1	1139-2011-01	Flat washer			
132	1	118870068/0	Nut			
133	1	118870065/0	Pin			
134	1	118870078/0	Spring			
195	1	118870126/0	Kit-Gears and Pins			
205	1	118870124/0	Kit-Seal			



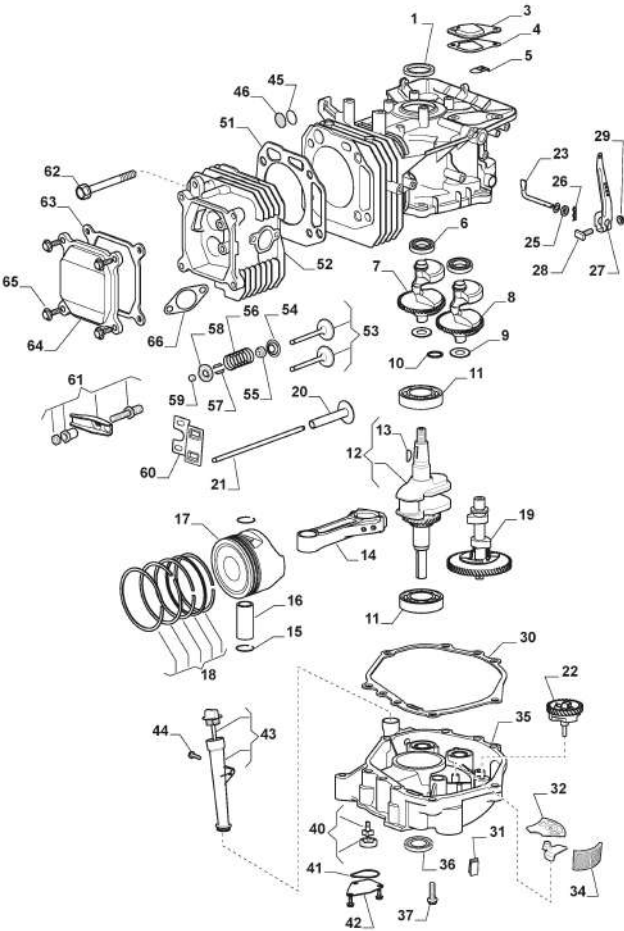
Engine - Carburettor, Tank

Zn. c.	Množ.	Kód výrobku	Popis	Poznámky	From	Až do
1	1	118550516/0	Cover			
5	4	112791213/1	Screw			
6	1	118550237/0	Nut			
7	1	118550236/0	Starter Cup			
8	1	118550235/1	Flywheel Fan			
9	1	118550234/2	Flywheel Ass.Y			
10	1	118550214/0	Start Motor Assy	early version		
10	1	118551440/0	Start Motor Assy	latest version		
11	2	112691100/0	Screw	early version		
11	2	112691100/0	Screw	latest version		
12	1	118550210/1	Coil Assy, Charge	early version		
12	1	118551441/0	Coil Assy, Charge	latest version		
13	1	118550209/1	Electronic Coil	early version		
13	1	118551438/0	Electronic Coil	latest version		
15	1	9400-0244-00	Spark Plug			
16	1	118550208/1	Rectifier	early version		
16	1	118551428/1	Rectifier	latest version		
17	1	118550207/1	Output Wire, Rectifier	early version		
17	1	118551439/0	Output Wire, Rectifier	latest version		
18	1	118550331/1	Remote Control Assy			
19	1	118550212/0	Casing Clamp			
20	1	118550213/0	Spring			
21	1	118551219/0	Governor Link			
22	1	118551218/0	Rod Choke			
23	1	118551267/0	Bracket			
24	1	118551221/0	Throttle Rod			
25	2	118551277/0	Bolt			
26	1	118551515/0	Carburetor			
27	1	118550225/1	Breather Fuel Pipe			
28	1	118550202/2	Air Cleaner Assy			
29	2	118550201/0	Knob			
30	1	118550199/0	Air Filter			
31	1	118550200/0	Air Cleaner Cover			
32	1	118550762/0	Air Filter Gasket			
33	2	112292102/0	Nut			
34	1	118551514/0	Fuel Pipe			
35	1	118550354/1	Fuel Filter			
36	2	118551279/0	Double-Screw Bolt			
37	1	118551263/0	Intake Manifold Gasket			
38	1	118551265/0	Intake Manifold			
39	2	118551262/0	Carburetor Gasket			
40	1	118551259/0	Guard			
42	1	118551260/0	Guard			
45	1	118550365/1	Kit Repair			
46	1	118550332/1	Brushhold			
47	1	118550440/0	Kit Repair, Carburettor			
48	1	118550442/0	Carburettor Gasket Set			



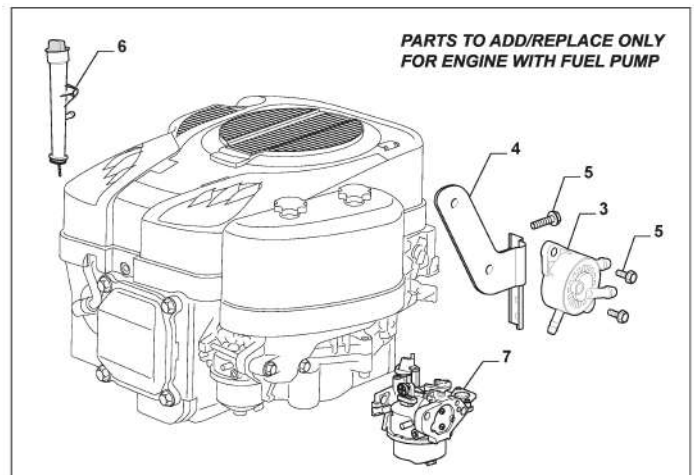
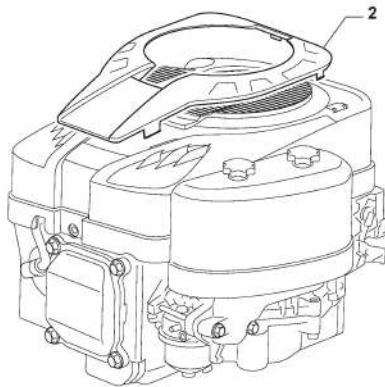
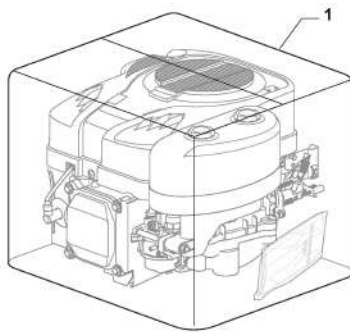
Engine - Piston, Crankshaft

Zn. c.	Množ.	Kód výrobku	Popis	Poznámky	From	Až do
1	1	118550443/0	Oil Seal			
2	1	118551224/0	Crankcase			
3	1	118551227/0	Cover			
4	1	118551229/0	Gasket			
5	1	118550303/0	Plate			
6	2	118551284/0	Bearing			
7	1	118551242/0	Counterweight			
8	1	118551243/0	Counterweight			
9	2	118551282/0	Washer			
10	1	118551286/0	O Ring			
11	2	118550227/0	Ball Bearing			
12	1	118550232/0	Crankshaft			
13	1	118550288/0	Woodruff Key			
14	1	118550231/1	Connecting Rod Assy			
15	2	118551283/0	Washer, Piston Pin			
16	1	118551241/0	Piston Pin			
17	1	118551240/0	Piston			
18	1	118550510/0	Piston, Ring Set			
19	1	118551511/0	Camshaft assy			
20	2	118551252/0	Valve Lifter			
21	2	118550242/1	Push Rods Assy			
22	1	118551506/0	Speed Governor Assy			
23	1	118551505/0	Shaft, Governor Arm			
25	1	118551285/0	Oil Seal			
26	1	118550856/0	Cotter Pin			
27	1	118551220/0	Arm Governor Assy			
28	1	118550805/0	Screw			
29	1	118550806/0	Nut			
30	1	118550355/1	Crankcase Gasket			
31	1	118551258/0	Grommet			
32	1	118551257/1	Cover			
34	1	118551256/1	Oil Strainer			
35	1	118551207/0	Crankcase Cover			
36	1	118550443/0	Oil Seal			
37	4	112691115/0	Screw			
40	1	118550224/1	Oil Pump			
41	1	118551507/0	Gasket			
42	1	118550223/0	Oli Pump Cover			
43	1	118550444/1	Oil Filler Assy			
44	1	112674701/0	Screw			
45	1	118551230/0	Breather Valve			
46	1	118551228/0	Cover			
51	1	118551236/0	Gasket			
52	1	118551231/0	Cylinder Head			
53	1	118551289/0	Valve Assy, Intake + Exhaust			
54	2	118551245/0	Plate			
55	2	118551248/0	Gasket			
56	2	118550529/0	Spring Valve			



Engine - Piston, Crankshaft

Zn. c.	Množ.	Kód výrobku	Popis	Poznámky	From	Až do
57	4	118551247/0	Valve keeper			
58	2	118551246/0	Retainer			
59	2	118551244/0	Valve cap			
60	1	118551255/0	Plate			
61	1	118551510/0	Valve Arm Set			
62	4	118551278/0	Screw			
63	1	118551531/0	Gasket			
64	1	118551534/0	Cover Comp., Head			
65	4	118551535/0	Bolt			
66	1	118551272/0	Muffler Gasket			



Engine, Fuel Pump

Zn. c.	Množ.	Kód výrobku	Popis	Poznámky	From	Až do
1	1	118550526/1	Engine Assembled			
2	1	325055000/0	Hood, Red			
2	1	325055001/0	Cover Ring, Yellow			
2	1	325055002/0	Hood, Black			
3	1	118551578/0	Fuel pump			
4	1	118550348/1	Fuel Pump Stiffening			
5	4	112791400/0	Screw			
6	1	118550444/1	Oil Filler Assy			
7	1	118550435/1	Carburettor			