

ALPINA

ASH 2.5 E (2021)

290001254/A20

Spare parts list Reservdelar Repuestos Ersatzteile Pièces détachées Reserve onderdelen Catalogo ricambi

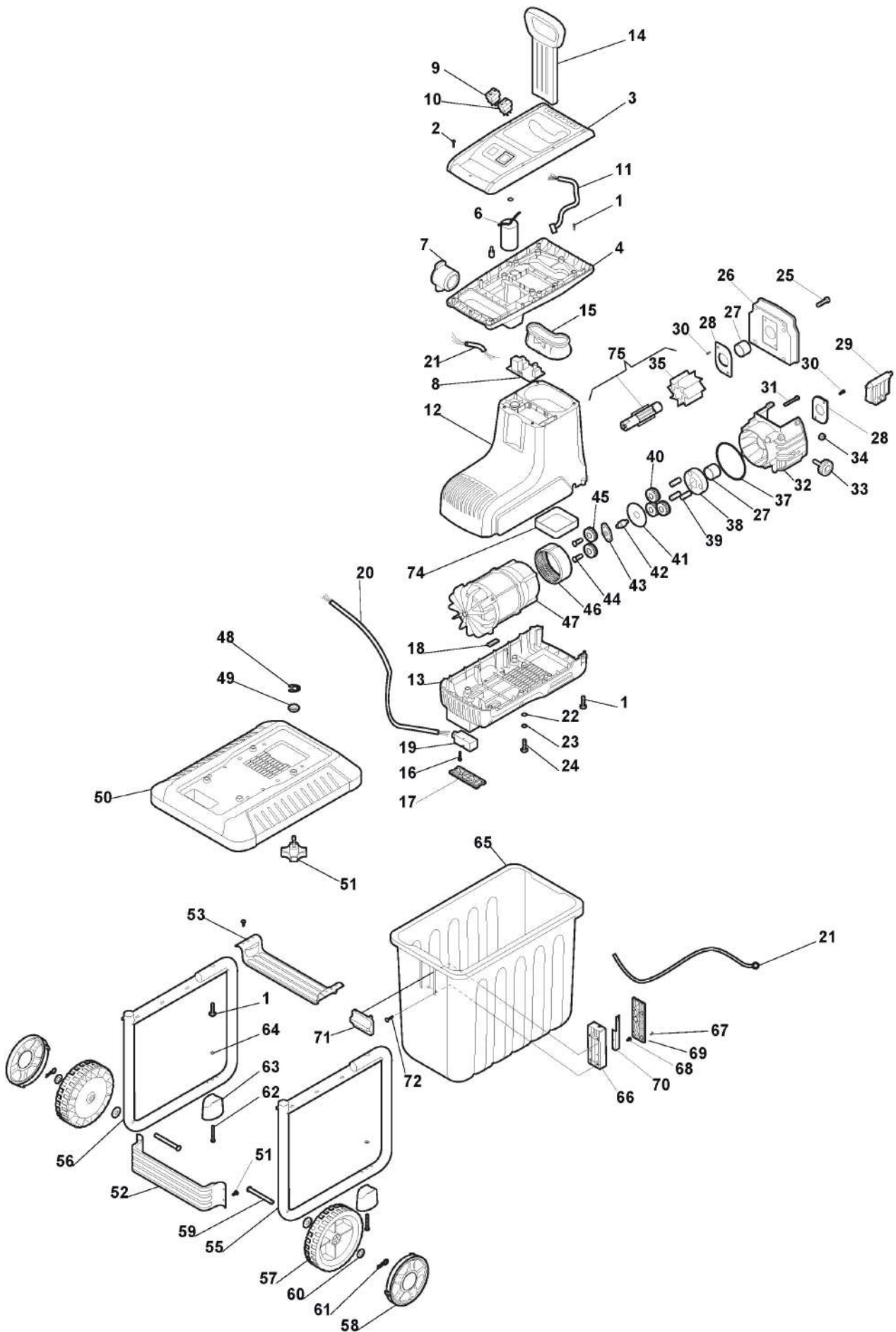


- Use ST. S.p.A. Genuine Spare Parts specified in the parts list for repair and/or replacement.
- The contents described in the parts list may change due to improvement.
- The drawings of the spare parts are only indicative And might Not represent the part in question exactly.
- The indications "right" - "left" - "front" - "rear" refer to the position of the operator when using the machine.
- When placing orders of parts for repair And/Or replacement, make sure that the illustrated parts list Is the one applying to the machine's year of manufacture, as shown on the identification plate attached to the machine.

All rights reserved. No part Of this material may be reproduced Or transmitted, in any form Or by any means, electronic Or mechanical, including photocopying, recording Or by any information storage And retrieval system, without permission in writing from ST. S.p.A.

Shredder

Zn. c.	Množ.	Kód výrobku	Popis	Poznámky	From	Až do
1	24	112728099/1	Screw			
2	9	112728099/1	Screw			
3	1	118802168/0	Top Handle, Black			
4	1	118802169/0	Bottom Handle, Black			
6	1	118802170/0	Capacitor			
7	1	118802171/0	Socket			
8	1	118802172/0	Electronic Card			
9	1	118802173/0	Switch			
10	1	118802174/0	Reverse-switch			
11	1	118802175/0	Switch wire			
12	1	118802177/0	Top Housing, White			
13	1	118802178/0	Bottom Housing, Black			
14	1	118802179/0	Prodder			
15	1	118802180/0	Feed oriented intake			
16	2	112728526/0	Screw			
17	1	118802181/0	Switch Cover			
18	2	118802182/0	Motor gasket			
19	1	118802183/0	Safety switch			
20	1	118802184/0	Safety switch Cable			
21	1	118802185/0	Cable			
22	4	2312010	Flat washer			
23	4	112582100/0	Grower			
24	4	112727791/0	Screw			
25	4	2132180	Screw			
26	1	118802186/0	Plate			
27	2	118802187/0	Bearing			
28	2	118802188/0	Gasket			
29	1	118802189/0	Plate			
30	4	2125010	Screw			
31	4	2132230	Screw			
32	1	118802190/0	Housing			
33	1	118802191/0	Red Knob			
34	1	112156602/0	Nut			
35	1	118802192/0	Gear			
37	1	118802194/0	Gasket			
38	1	118802195/0	Support			
39	3	118802196/0	Pin			
40	3	118802197/0	Gear			
41	1	118802198/0	Washer			
42	1	118802199/0	Gear			
43	1	118802200/0	Support			
44	2	118802201/0	Pin			
45	2	118802202/0	Gear			
46	1	118802203/0	Gear			
47	1	118802204/0	Electric Motor			
48	4	112000930/0	Benzing Ring			
49	4	112292100/0	Nut			
50	1	118802206/0	Black Cover			



Shredder

Zn. c.	Množ.	Kód výrobku	Popis	Poznámky	From	Až do
51	4	118802207/0	Knob			
52	1	118802208/0	Rear Plate Reinforcement, Black			
53	1	118802209/0	Plate Reinforcement			
55	1	118802210/0	Syphon Subassembly Left, Black			
56	1	118802211/0	Syphon Subassembly Right, Black			
57	2	118802212/0	Wheel			
58	2	118802214/0	White Hub Cap			
59	2	118802215/0	Wheel Axle			
60	4	118802216/0	Washer			
61	2	118802217/0	Cotter Pin			
62	2	112792425/0	Screw			
63	2	118802218/0	Grommet			
64	2	112292100/0	Nut			
65	1	118802219/0	Collection Box			
66	1	118802220/0	Key box			
67	4	123878023/0	Screw			
68	2	112728525/0	Screw			
69	1	118802221/0	Key box cover			
70	1	118802222/0	Retainer			
71	1	118802223/0	Red Handle			
72	4	112727815/0	Screw			
74	1	118802224/0	Wire Sheath			
75	1	118805061/0	Knife and Transmission shaft Kit			