

999464-00023

Serial Number

00000001-99999999

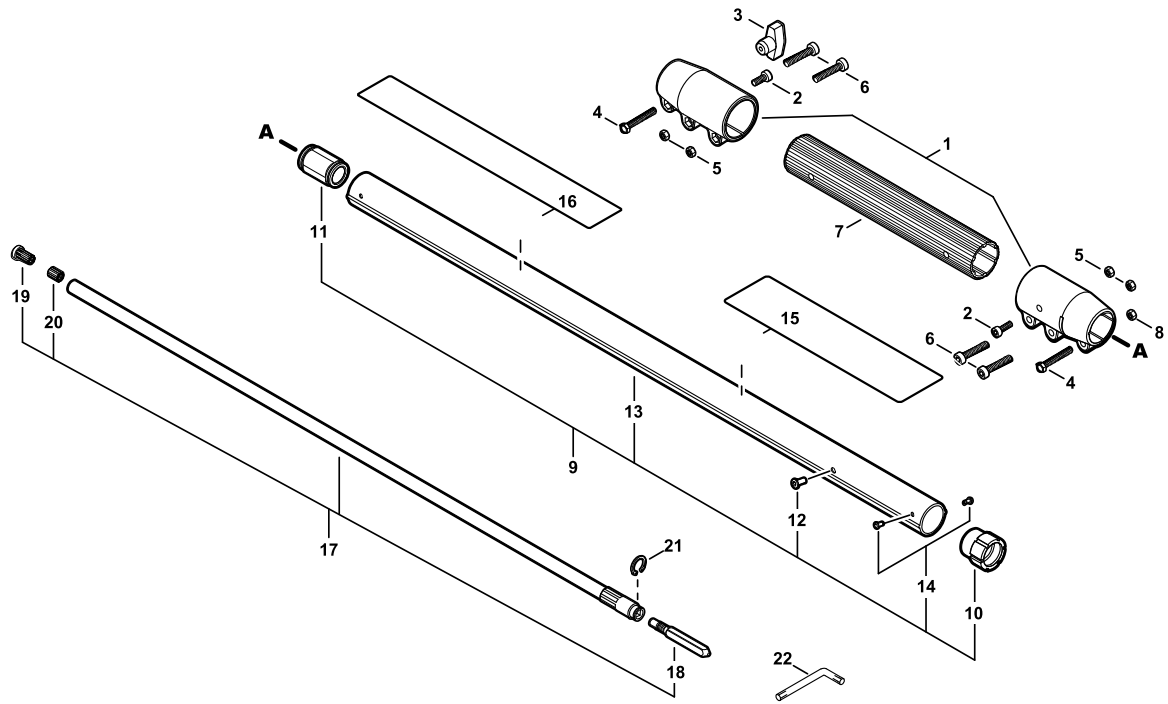
Last updated date

27/Nov/2020

TABLE OF CONTENTS

MAIN PIPE	1
-----------------	---

MAIN PIPE



MAIN PIPE

Key No.	LV (+)	Parts Number	Parts Description	Qty	Standard	Class
1		C510-000280	COUPLING, MAIN PIPE	2		C
2		900105-05012	BOLT HSH	2	5*12	
3		V299-000660	KNOB,FASTENER	1	M6X1 WING ASS'Y	C
4		900100-06025	BOLT	2	6*25	
5		900500-00005	NUT	4	5	
6		V253-000230	SCREW,5	4	M5*20 PAN MS	C
7		C500-000870	PIPE,MAIN	1	44.5MM * 269.8	C
8		900500-00006	NUT	1	6	
9		C050-001411	PIPE, MAIN	1	999464-00023	C
10	+	C503-000080	HOLDER, BEARING	1	HOLDER ASSEMBLY	D
11	+	C316-000090	GUIDE, SHAFT	3	UPPER BUSHING	D
12	+	890011-22460	RIVET	1		D
13	+	C500-000370	PIPE, MAIN	1	34MM OD * 1219.2	C
14	+	890011-22360	RIVET	2		D
15		X503-015150	LABEL,MODEL	1	ECHO INCORP.	D
16		X505-006800	LABEL,CAUTION	1	ISO 3-SYMBOL	D
17		C504-000481	SHAFT, DRIVE	1	999464-00023	C
18	+	610025-22361	CONNECTOR, SHAFT	1		B
19	+	C509-000080	SOCKET, SHAFT	1	12.2*16.5*25.4	C
20	+	C509-000090	SOCKET,SHAFT	1	DRIVE SIDE	C
21		100229-22460	RING	1		C
22		X605-000060	TOOL,L WRENCH	1	80*30 T27 2-ENDS	D

Class : Consumable class

A:Fast moving parts B:Semi-fast moving parts C:Slow moving parts D:Order only as needed

NUMERICAL PARTS INDEX

Part No	Part description	Page
100229-22460	RING	2
610025-22361	CONNECTOR, SHAFT	2
890011-22360	RIVET	2
890011-22460	RIVET	2
900100-06025	BOLT	2
900105-05012	BOLT HSH	2
900500-00005	NUT	2
900500-00006	NUT	2
C050-001411	PIPE, MAIN	2
C316-000090	GUIDE, SHAFT	2
C500-000370	PIPE, MAIN	2
C500-000870	PIPE,MAIN	2
C503-000080	HOLDER, BEARING	2
C504-000481	SHAFT, DRIVE	2
C509-000080	SOCKET, SHAFT	2
C509-000090	SOCKET,SHAFT	2
C510-000280	COUPLING, MAIN PIPE	2
V253-000230	SCREW,5	2
V299-000660	KNOB,FASTENER	2
X503-015150	LABEL,MODEL	2
X505-006800	LABEL,CAUTION	2
X605-000060	TOOL,L WRENCH	2