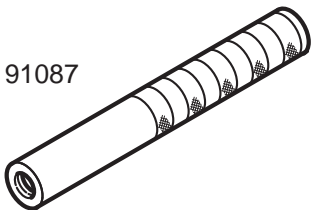
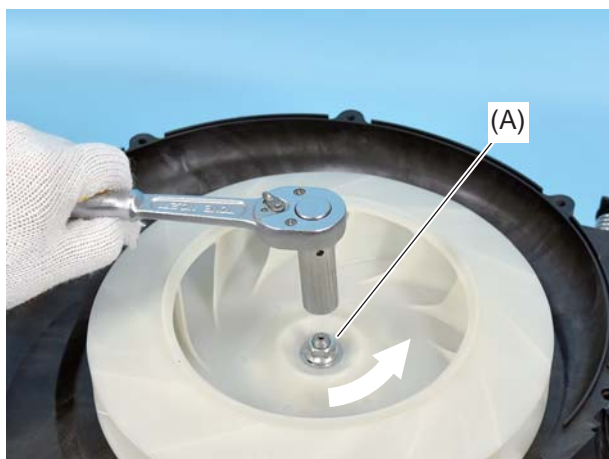


SUBJECT: Fan remover

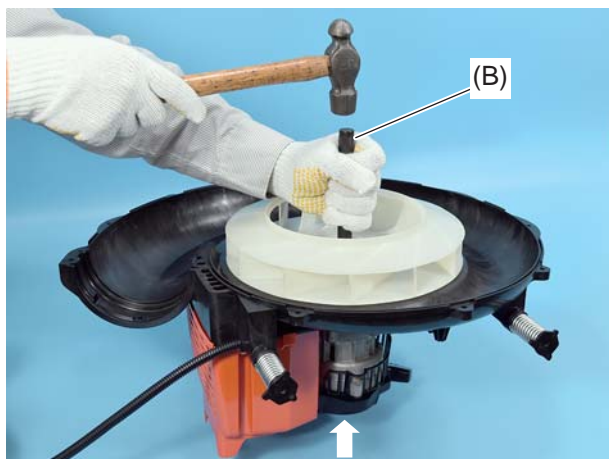
Number: Y2020-680
Issued: Feb. 28, 2020

Fan remover is used to remove blower fan.	
	Service tool
Fan remover	 91087

Removing blower fan using Fan remover 91087



1. Install clean rope in spark plug hole by hand.
2. Remove fan nut (A) using 14mm socket wrench counterclockwise.



3. Thread Fan remover 91087 (B) on crankshaft end.
4. Lift up the remover (B).
5. Strike the end of the remover with a hammer squarely as shown.