

ALPINA

AL6 51 VBQ (2020)

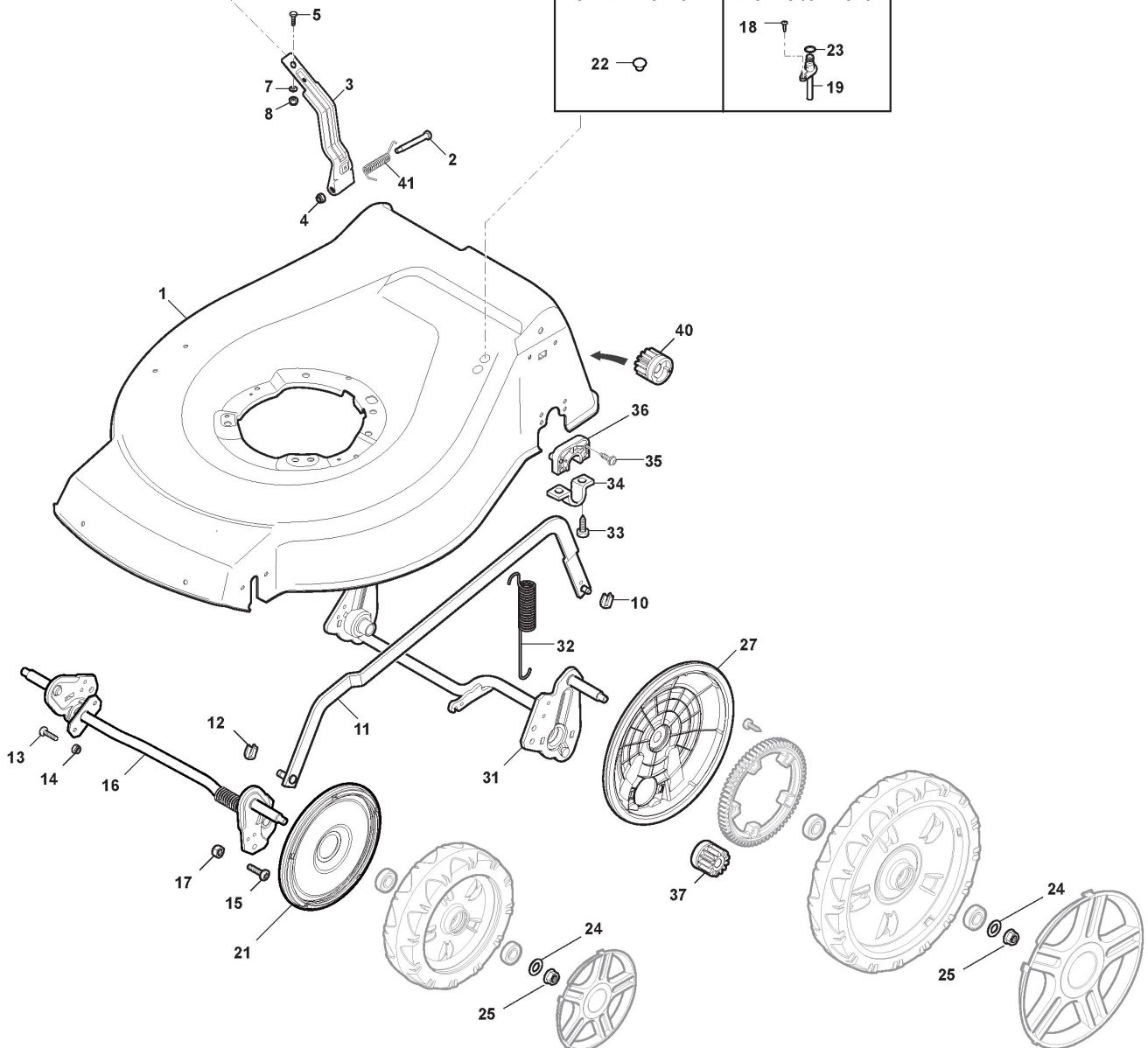
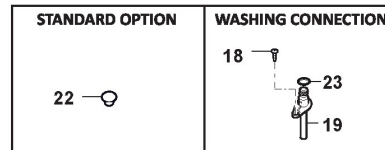
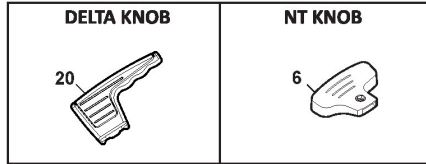
299537824/A20

Spare parts list Reservdelar Repuestos Ersatzteile Pièces détachées Reserve onderdelen Catalogo ricambi



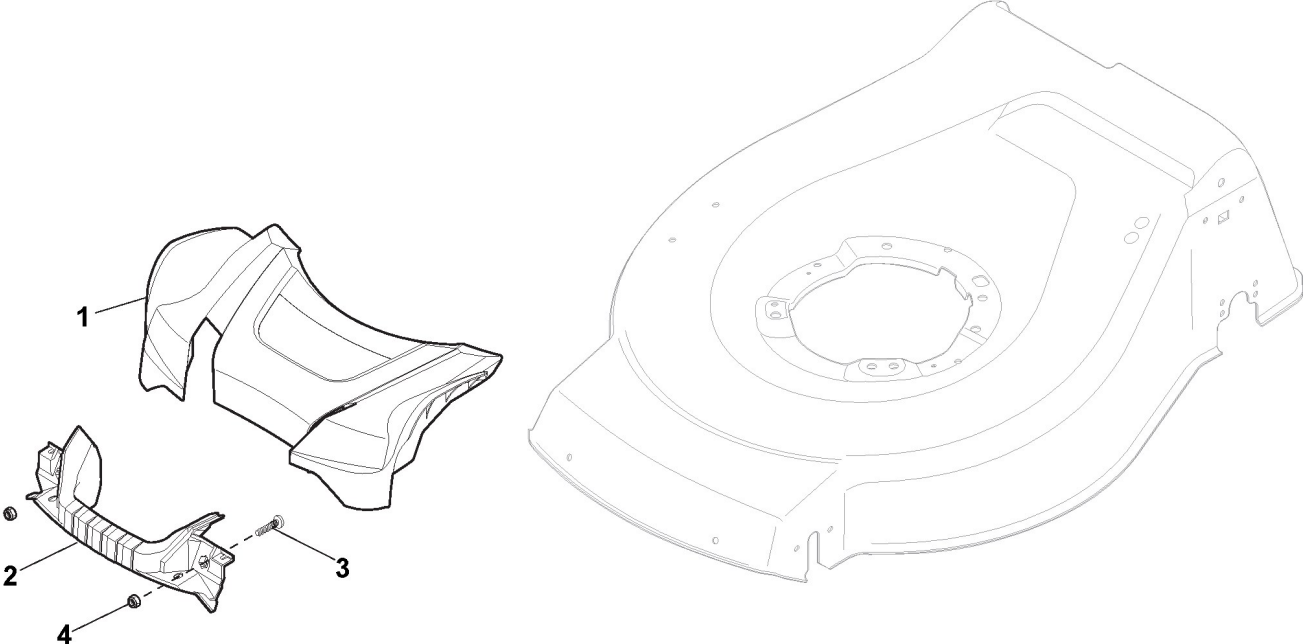
- Use ST. S.p.A. Genuine Spare Parts specified in the parts list for repair and/or replacement.
- The contents described in the parts list may change due to improvement.
- The drawings of the spare parts are only indicative And might Not represent the part in question exactly.
- The indications "right" - "left" - "front" - "rear" refer to the position of the operator when using the machine.
- When placing orders of parts for repair And/Or replacement, make sure that the illustrated parts list Is the one applying to the machine's year of manufacture, as shown on the identification plate attached to the machine.

All rights reserved. No part Of this material may be reproduced Or transmitted, in any form Or by any means, electronic Or mechanical, including photocopying, recording Or by any information storage And retrieval system, without permission in writing from ST. S.p.A.



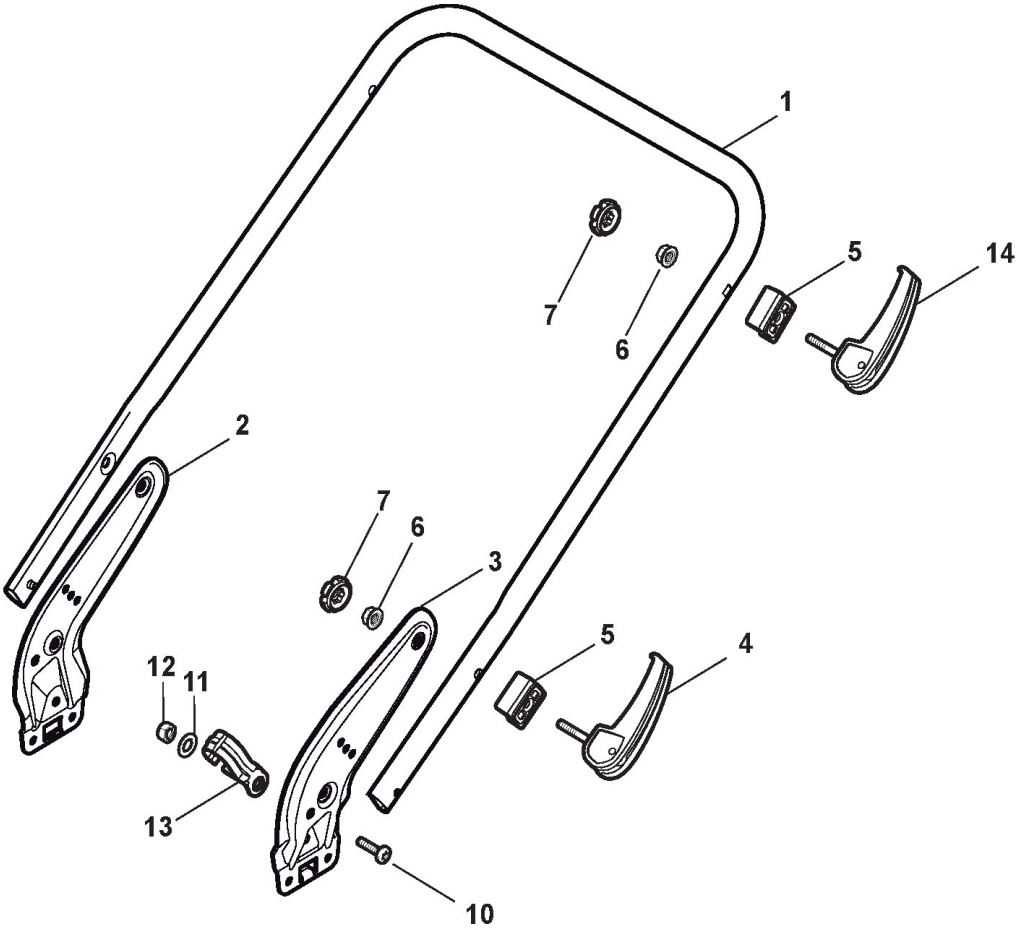
Deck And Height Adjusting

Zn. c.	Množ.	Kód výrobku	Popis	Poznámky	From	Až do
1	1	381003978/0	Grey Deck	To 31-August-2011		
1	1	381004732/0	Grey Deck	From 01-September-2013		
2	1	122534131/0	Pin			
3	1	381003398/0	Lever, Height Adjustment	Galvanized - Black;To 31-August-2017		
3	1	381003399/0	Lever, Height Adjustment	Galvanized - White		
4	1	112154510/0	Nut			
5	1	112788512/0	Screw			
6	1	322394503/0	Knob	NT Knob		
7	1	112521310/0	Washer			
8	1	112150000/0	Nut			
10	1	112436051/0	Plate			
11	1	381002032/0	Rod, Height Adjustment	To 31-August-2017		
11	1	381002038/0	Rod, Height Adjustment	From 01-September-2017		
12	1	112436051/0	Plate			
13	3	112727803/0	Screw			
14	3	112154510/0	Nut			
15	1	112727801/0	Screw			
16	1	381002887/1	Front Wheel Axle	To 31-August-2017		
16	1	381302923/0	Front Wheel Axle	From 01-September-2017		
17	1	112154510/0	Nut			
18	1	112728450/0	Screw	From 01-September-2011		
19	1	322034002/0	Washing Connection	From 01-September-2011		
20	1	322394522/0	Knob	Delta Knob		
21	2	322600145/0	Protection, Wheel	as optional		
22	1	322820077/1	Cap			
23	1	119035000/0	Or Ring			
24	4	112521350/0	Washer			
25	4	112155000/0	Nut			
27	2	322600208/0	Protection, Wheel			
31	1	381302835/0	Rear Wheel Axle	To 31-August-2012		
31	1	381302835/1	Axle, Rear Wheels	From 01-September-2012 To 31-August-2017		
31	1	381302837/1	Axle, Rear Wheels	From 01-September-2017		
32	1	122450460/0	Spring			
33	4	112728697/0	Screw			
34	2	322545152/0	Plate			
35	4	112728697/0	Screw			
36	2	322785304/1	Support			
37	1	122570134/0	Left Pinion			
40	1	122570133/0	Right Pinion			
41	1	122446192/0	Spring			



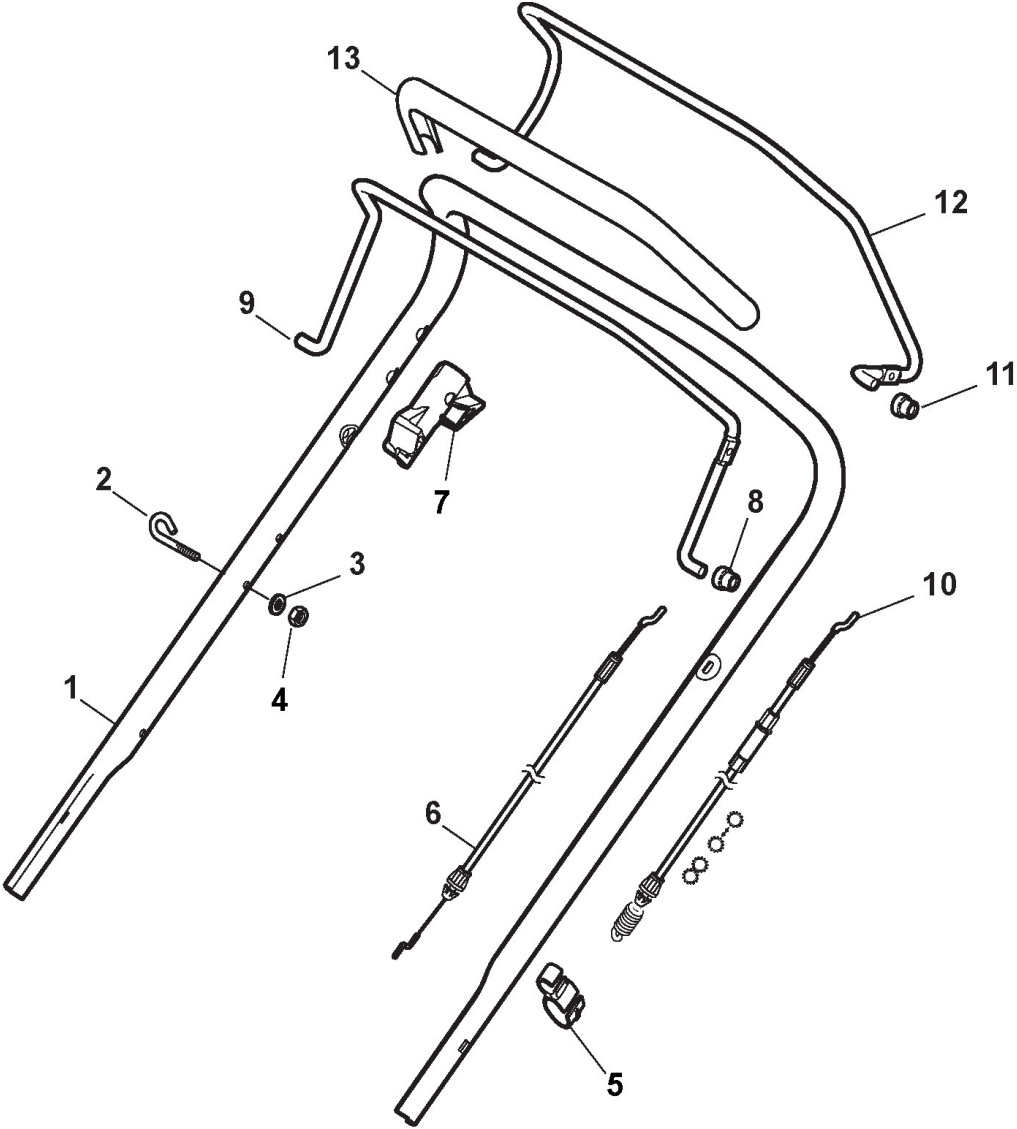
Mask

Zn. c.	Množ.	Kód výrobku	Popis	Poznámky	From	Až do
1	1	322226158/0	Mask, Black			
2	1	322393642/0	Bumper Handle			
3	2	112727799/0	Screw			
4	2	112154510/0	Nut			



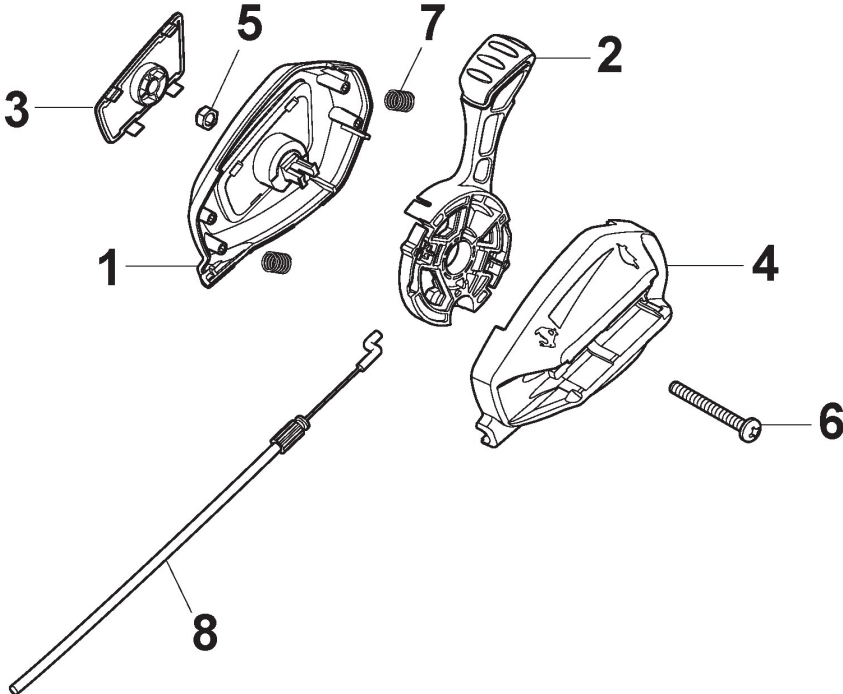
Handle, Lower Part

Zn. c.	Množ.	Kód výrobku	Popis	Poznámky	From	Až do
1	1	381006719/0	Handle Lower Part	Black		
2	1	381005149/0	Right Bracket	Black		
3	1	381005151/0	Left Bracket	Black		
4	4	381003253/0	Locking Handle Lever	Black		
5	4	322680016/0	Washer			
6	4	122131750/0	Nut			
7	4	322399835/0	Knob			
10	2	112760605/0	Screw			
11	2	125038002/1	Bushing			
12	2	112155000/0	Nut			
13	1	322192156/0	Clip			
14	2	381103350/0	Locking Handle Lever	Black		



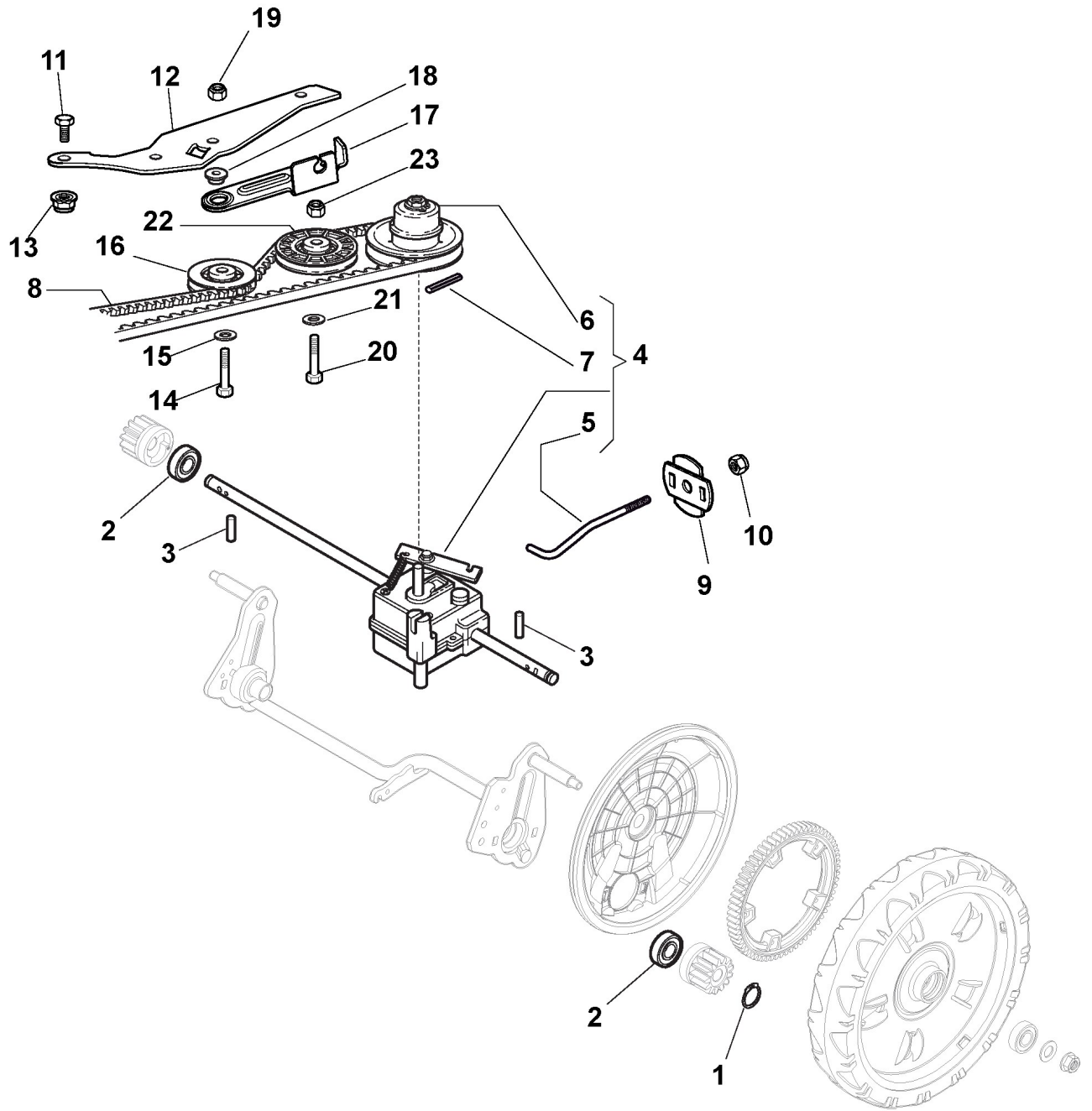
Handle, Upper Part

Zn. c.	Množ.	Kód výrobku	Popis	Poznámky	From	Až do
1	1	381007574/0	Handle, Upper Part			
2	1	122430313/0	Guide Spring			
3	1	112521330/0	Washer			
4	1	112154510/0	Nut			
5	1	118390020/0	Conduit Clip			
6	1	181030053/0	Cable, Thread Engine Brake			
7	1	322545204/0	Fulcrum Pin			
8	1	122041966/0	Bushing			
9	1	181003300/1	Lever, Engine Brake			
10	1	381030051/0	Cable Rear Drive	To 31-August-2012		
10	1	381030092/0	Cable Rear Drive	From 01-September-2012 To 31-August-2013		
10	1	381030092/1	Cable Rear Drive	From 01-September-2013		
11	1	122041966/0	Bushing			
12	1	181003301/0	Drive Control Lever			
13	1	122291050/0	Handgrip Black			



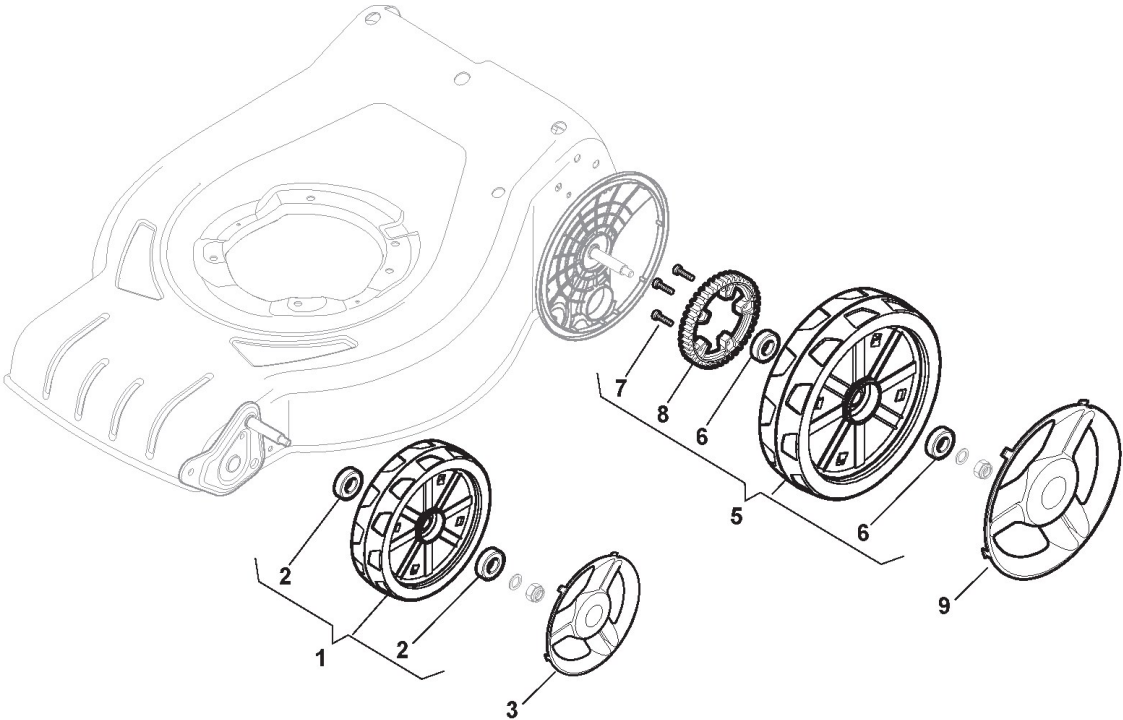
Controls

Zn. c.	Množ.	Kód výrobku	Popis	Poznámky	From	Až do
1	1	322722817/0	External Protection			
2	1	381007227/0	Variator Lever Assy			
3	1	322820086/0	Cap			
4	1	322722816/0	Internal Protection			
5	1	112154510/0	Nut			
6	1	112727786/0	Screw			
7	2	122450487/0	Spring			
8	1	381030110/0	Variator Cable			



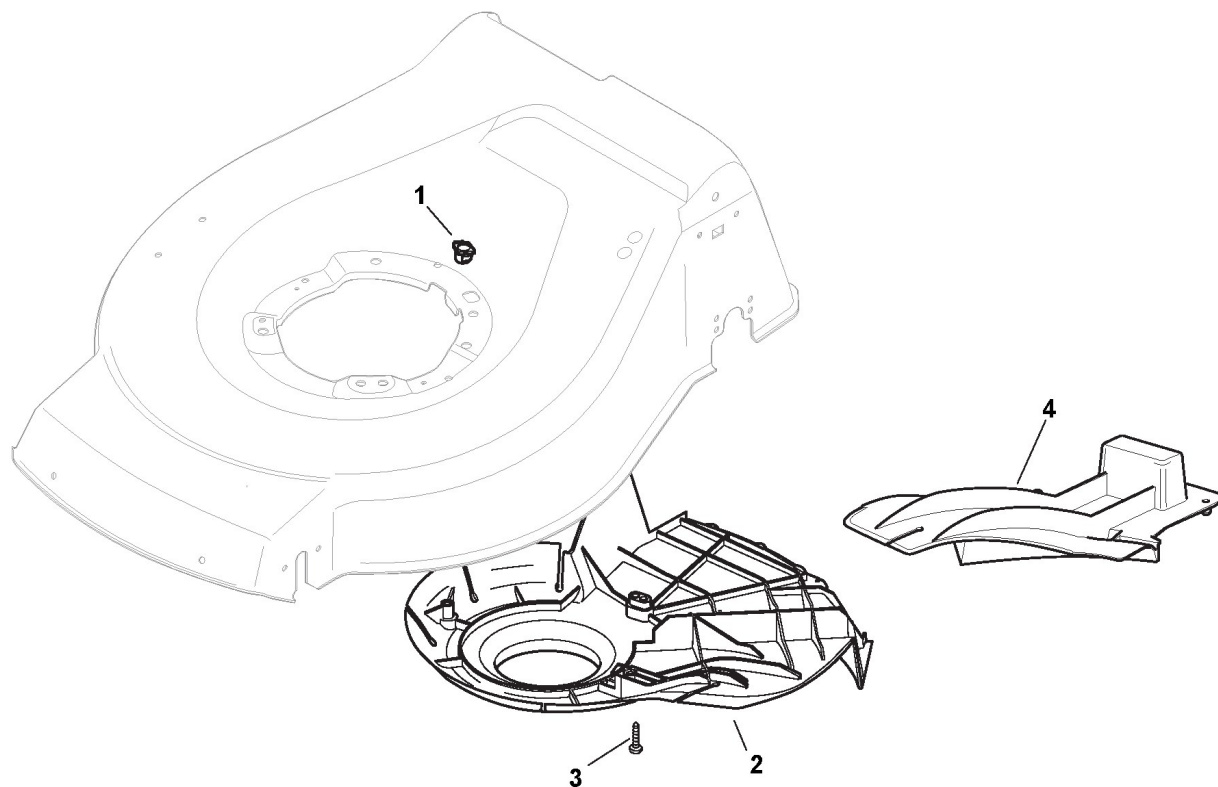
Transmission

Zn. c.	Množ.	Kód výrobku	Popis	Poznámky	From	Až do
1	2	112608600/0	Seeger			
2	2	119216035/0	Bearing			
3	2	122753000/0	Pin			
4	1	181003096/3	Gear Box			
5	1	122033285/0	Adjustment Rod			
6	1	122601932/0	Pulley			
7	1	112645705/0	Elastic Pin	ø5X32		
8	1	135064010/0	Belt			
9	1	322675113/0	Washer			
10	1	112154510/0	Nut			
11	1	112791011/0	Screw			
12	1	322806625/2	Support			
13	1	112292102/0	Nut			
14	1	112689500/0	Screw			
15	1	112523050/0	Washer			
16	1	122601915/0	Pulley			
17	1	322806623/0	Pulley Support			
18	1	122671656/0	Washer			
19	1	112154510/0	Nut			
20	1	112674700/0	Screw			
21	1	112523050/0	Washer			
22	1	122601914/0	Pulley			
23	1	112154510/0	Nut			



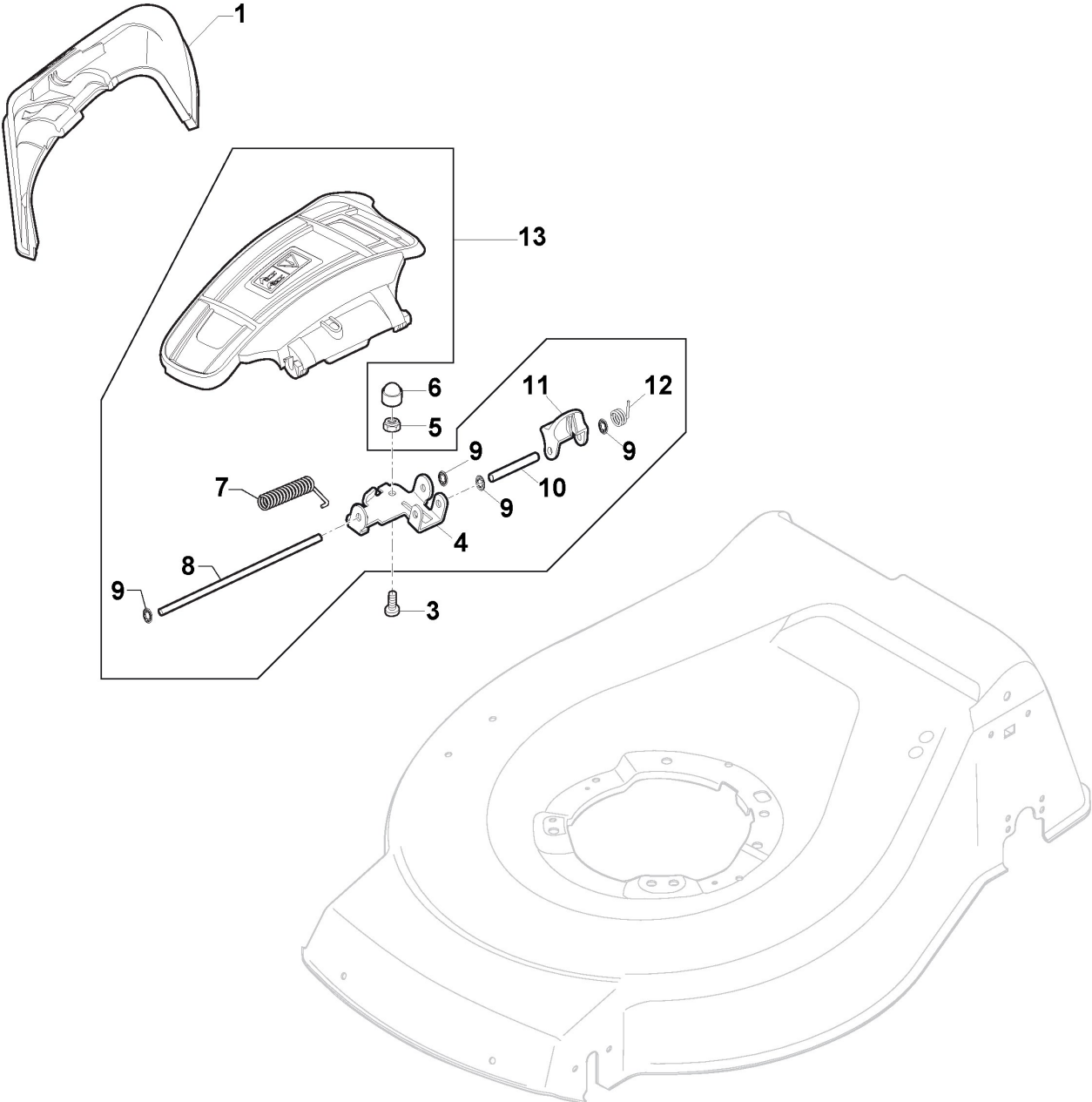
Wheels and Hub Caps

Zn. c.	Množ.	Kód výrobku	Popis	Poznámky	From	Až do
1	2	381007483/0	Wheel	To S/N SK3399071		
1	2	381007483/1	Wheel	From S/N SK3394311 To S/N 19JA2WBH009252		
1	2	381007483/2	Wheel Ø 200	From S/N 19JA2WBH009253		
2	4	119216035/0	Bearing			
3	2	322110687/0	Hub Cap Grey	Grey		
5	2	381007479/0	Wheel	To S/N SK3329629		
5	2	381007479/1	Wheel	From S/N SK3365765 To S/N 19JA2WBH009756		
5	2	381007479/2	Wheel Ø 280	From S/N 19JA2WBH009757		
6	4	119216035/0	Bearing			
7	6	112728706/0	Screw			
8	2	322120115/0	Wheels Crown	Only for Self Propelled Models		
9	2	322110641/0	Hub Cap Grey	Grey		



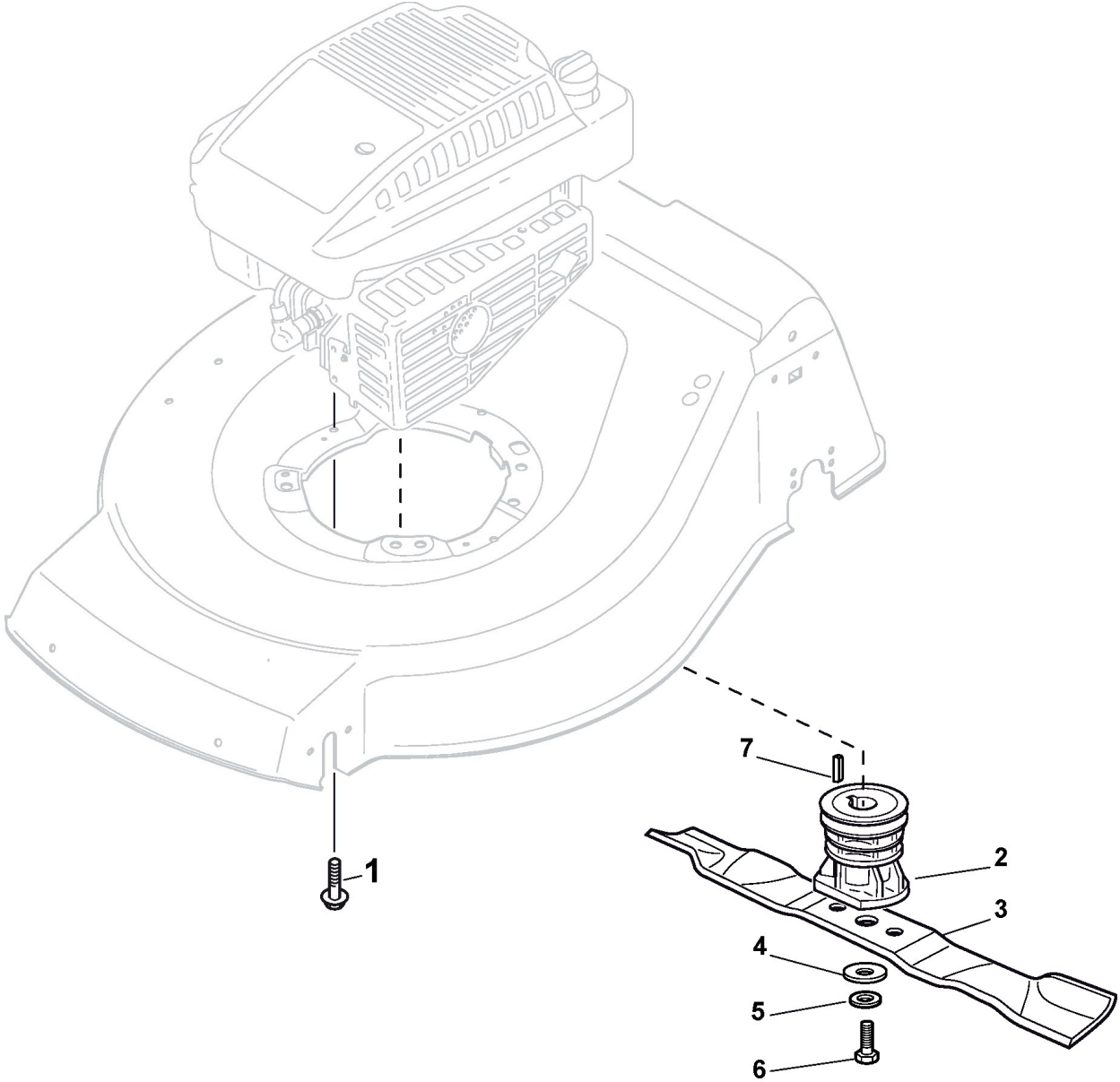
Protection, Belt

Zn. c.	Množ.	Kód výrobku	Popis	Poznámky	From	Až do
1	1	322291150/0	Rubber Insert			
2	1	322060197/2	Belt Protection	To 31-August-2011		
2	1	322060197/3	Belt Protection	From 01-September-2011		
3	3	112728530/0	Screw	To 31-August-2015		
3	3	112728531/0	Screw	From 01-September-2015		
4	1	122140222/0	Mulching Deflector			



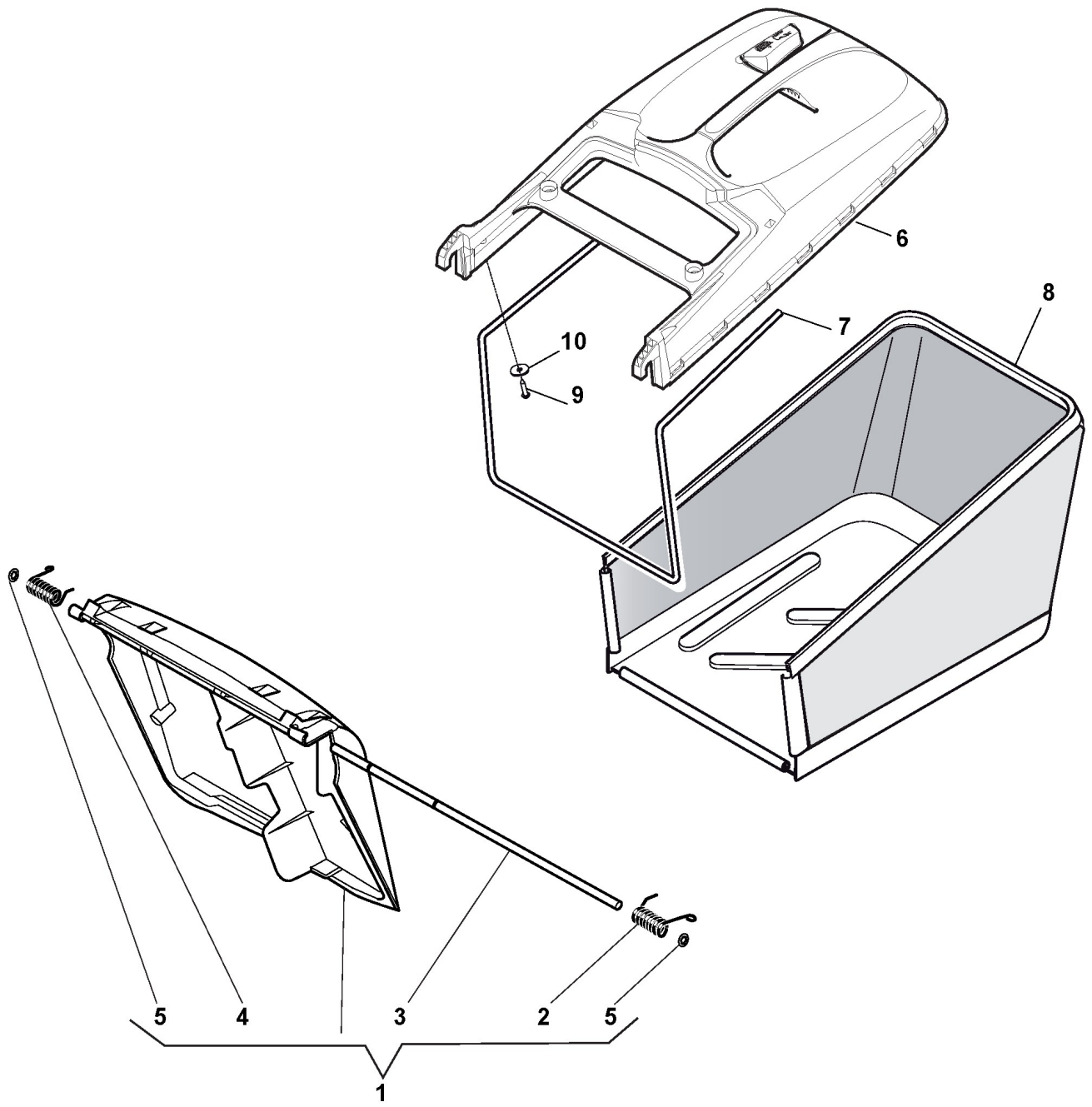
Ejection-Guard

Zn. c.	Množ.	Kód výrobku	Popis	Poznámky	From	Až do
1	1	322108295/1	Side Ejection Conveyor	Black		
3	2	112727803/0	Screw			
4	1	322806659/0	Fulcrum Pin			
5	2	112154510/0	Nut			
6	2	118203853/0	Cap			
7	1	122450456/0	Spring	To 30-November-2018		
7	1	122450456/1	Spring	From 01-December-2018		
8	1	122517869/1	Pin			
9	4	112604896/0	Crown Fastener			
10	1	122517876/0	Pin			
11	1	322783013/0	Safety Button			
12	1	122450493/0	Spring			
13	1	381008159/0	Stone Guard Side Discharge Assy	To 30-November-2018		
13	1	381008159/1	Stone Guard Side Discharge Assy	From 01-December-2018		



Blade

Zn. c.	Množ.	Kód výrobku	Popis	Poznámky	From	Až do
1	3	112735108/1	Screw			
2	1	122465608/2	Hub With Pulley, Crankshaft Ø 25	To 31-december-2018		
2	1	122465608/3	Hub With Pulley, Crankshaft Ø 25	From 01-January-2019		
3	1	181004381/1	Blade Standard			
4	1	122160400/0	Elastic Disc			
5	1	112523080/0	Washer			
6	1	112735698/0	Screw			
7	1	112139150/0	Feather, Crankshaft Ø 25			



Grass-Catcher

Zn. c.	Množ.	Kód výrobku	Popis	Poznámky	From	Až do
1	1	381008081/1	Stone Guard, Black	Black;To 31-August-2011		
1	1	381008081/2	Stone Guard, Black	Black;From 01-September-2011		
2	1	122450466/0	Left Spring			
3	1	122517882/0	Pin			
4	1	122450465/0	Right Spring			
5	2	112604899/0	Crown Fastener			
6	1	381486008/0	Grass-Box, Upper Part	Black with Red Indicator		
6	1	381486013/0	Grass-Box, Upper Part	Black with Grey Indicator		
7	1	122608525/0	Grasscatcher Lower Stiffening	To 31-August-2013		
7	1	122608525/1	Stiffening Lower	From 01-September-2013 To 31-August-2019		
7	1	122608525/2	Lower Stiffening	From 01-September-2019		
8	1	181002211/0	Box, Fabric	Black without Logo		
9	2	112728680/0	Screw			
10	2	112523050/0	Washer			