

ALPINA

AT8 102 HW (2020)

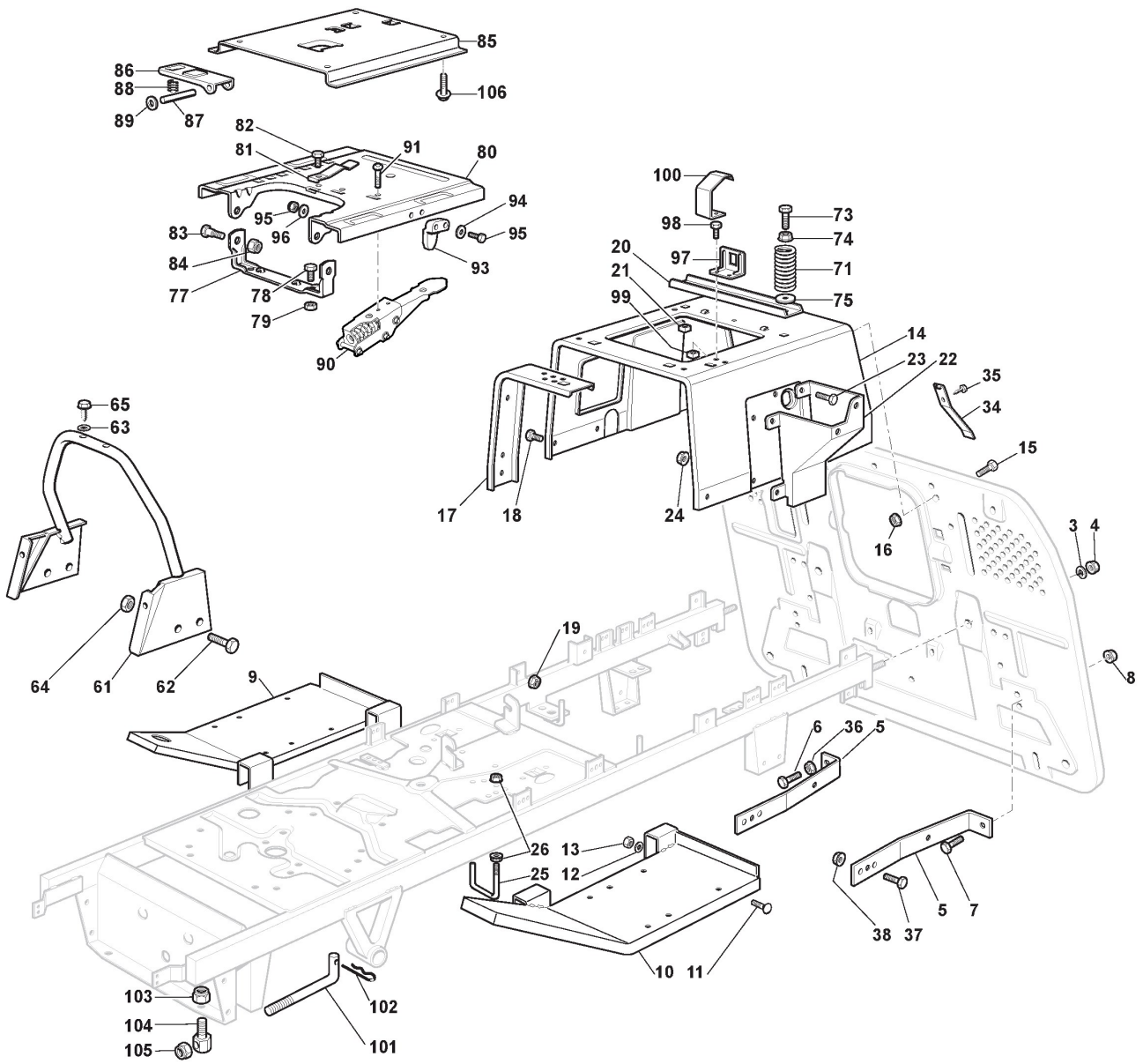
2T0980204/A20



Spare parts list Reservdelar Repuestos Ersatzteile Pièces détachées Reserve onderdelen Catalogo ricambi

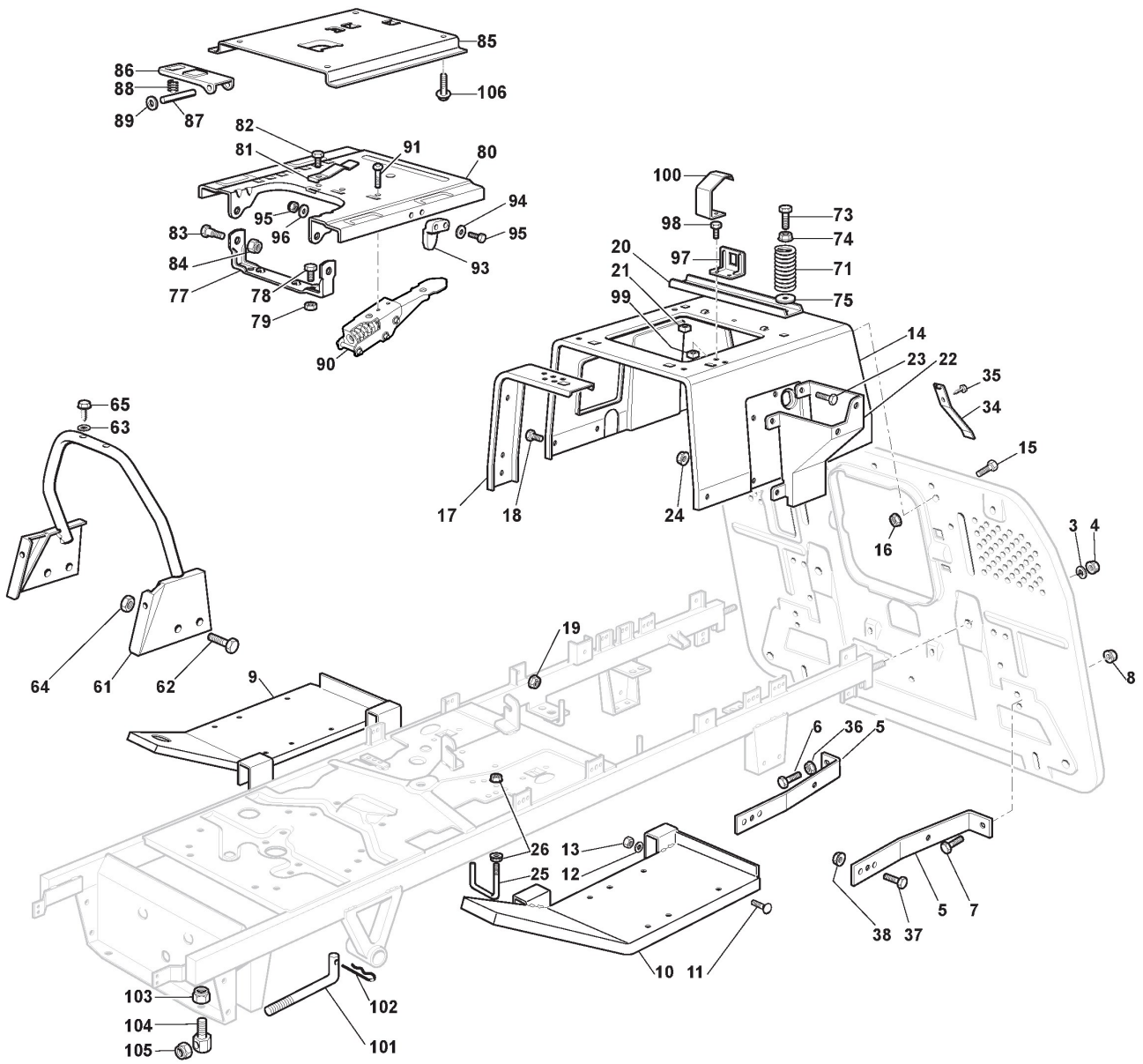
- Use ST. S.p.A. Genuine Spare Parts specified in the parts list for repair and/or replacement.
- The contents described in the parts list may change due to improvement.
- The drawings of the spare parts are only indicative And might Not represent the part in question exactly.
- The indications "right" - "left" - "front" - "rear" refer to the position of the operator when using the machine.
- When placing orders of parts for repair And/Or replacement, make sure that the illustrated parts list Is the one applying to the machine's year of manufacture, as shown on the identification plate attached to the machine.

All rights reserved. No part Of this material may be reproduced Or transmitted, in any form Or by any means, electronic Or mechanical, including photocopying, recording Or by any information storage And retrieval system, without permission in writing from ST. S.p.A.



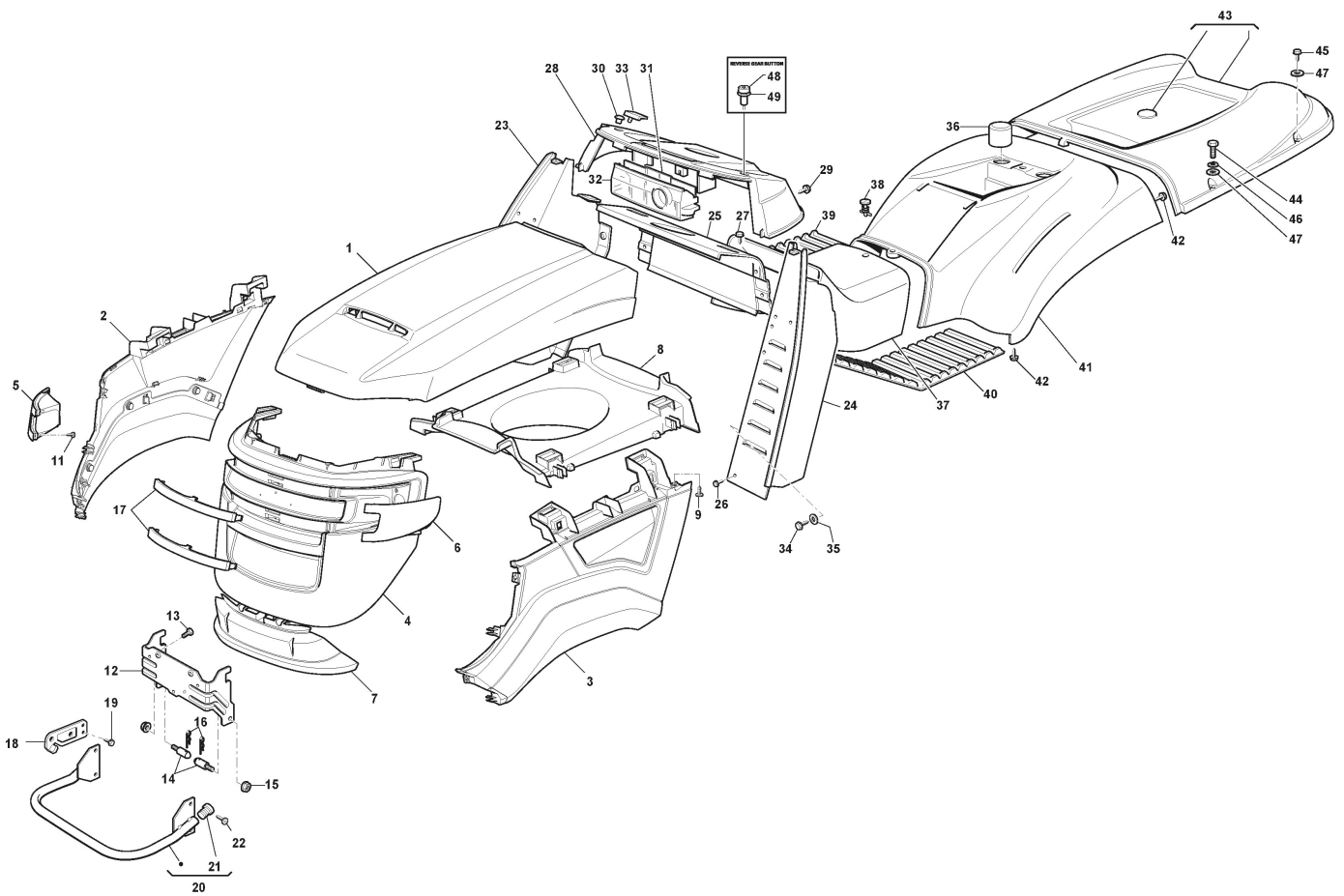
Frame

Zn. c.	Množ.	Kód výrobku	Popis	Poznámky	From	Až do
3	2	112523060/0	Washer			
4	2	9739-1031-22	Nut			
5	2	325774273/2	Stiffening			
6	1	112691100/0	Screw			
7	3	112793102/0	Screw			
8	2	112154220/0	Nut			
9	1	382510041/2	Right Footboard Support			
10	1	382510043/2	Left Footboard Support			
11	4	112815245/0	Screw			
12	4	112523040/0	Washer			
13	4	112154510/0	Nut			
14	1	325785133/5	Seat Support			
15	4	112791011/0	Screw			
16	5	112292102/0	Nut			
17	2	325650065/1	Pulley Stiffening			
18	8	112791200/1	Screw			
19	6	112292102/0	Nut			
20	1	325650067/1	Pulley Stiffening			
21	2	112360420/0	Nut			
22	1	325785137/1	Support			
23	4	112791200/1	Screw			
24	4	112292102/0	Nut			
25	1	125580019/1	Belt Guide (Hydro)			
26	2	112292102/0	Nut			
34	1	125430238/1	Spring			
35	1	112731580/0	Screw			
36	1	112154220/0	Nut			
37	3	112800815/0	Screw			
38	2	112154220/0	Nut			
61	1	382650045/0	Chassis			
62	4	112792611/0	Screw			
63	2	112521330/0	Washer			
64	4	112292102/0	Nut			
65	2	9943-0516-16	Screw			
71	2	125430205/1	Spring			
73	2	125943001/1	Screw			
74	2	112154220/0	Nut			
75	2	112523070/0	Washer			
77	1	382774305/0	Seat Clamp Support			
78	2	112792611/0	Screw			
79	2	112293201/0	Nut			
80	1	382785301/0	Fixed Seat Support			
81	1	125430203/1	Spring			
82	1	112731580/0	Screw			
83	2	122524970/3	Pin			
84	2	112155010/0	Nut			
85	1	325785147/2	Seat Support			
86	1	325318109/1	Stop Lever			



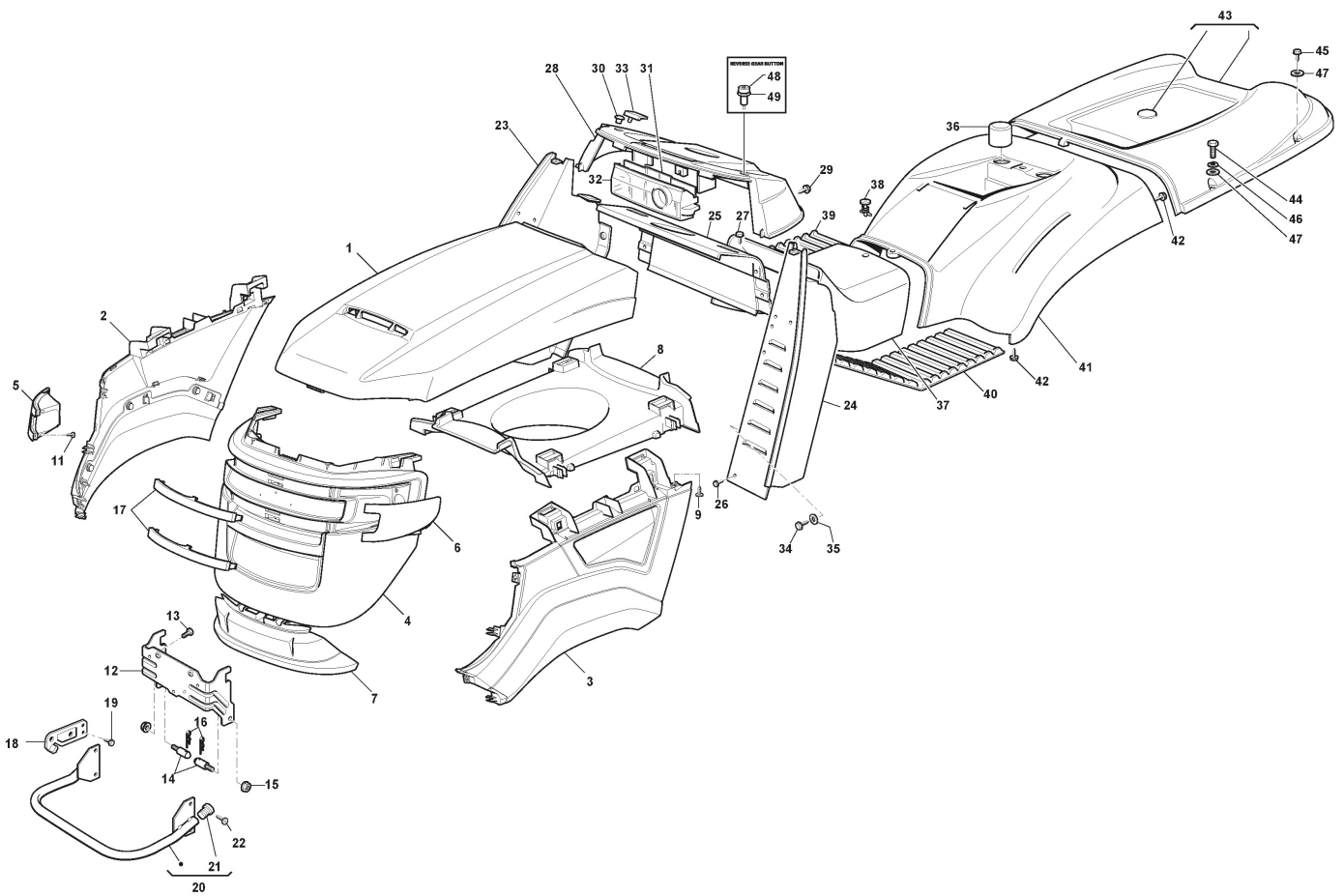
Frame

Zn. c.	Množ.	Kód výrobku	Popis	Poznámky	From	Až do
87	1	125510000/0	Pin			
88	1	125430202/1	Spring			
89	2	112604897/0	Elastic Washer			
90	1	382318316/1	OPC Spring and Lever Assy			
91	1	112735661/0	Screw			
93	1	325060049/0	Seat Switch Cam			
94	2	112815050/0	Screw			
95	4	112521320/0	Washer			
96	2	112154330/0	Nut			
97	1	325755025/3	Bracket			
98	2	112789000/0	Screw			
99	2	9739-0531-22	Nut			
100	1	325430255/0	Spring			
101	2	125510119/0	Tie Rod			
102	2	124487997/0	Cotter Pin			
103	2	112155000/0	Nut			
104	2	125510040/2	Pin			
105	2	112155000/0	Nut			
106	2	9959-0820-16	Screw			



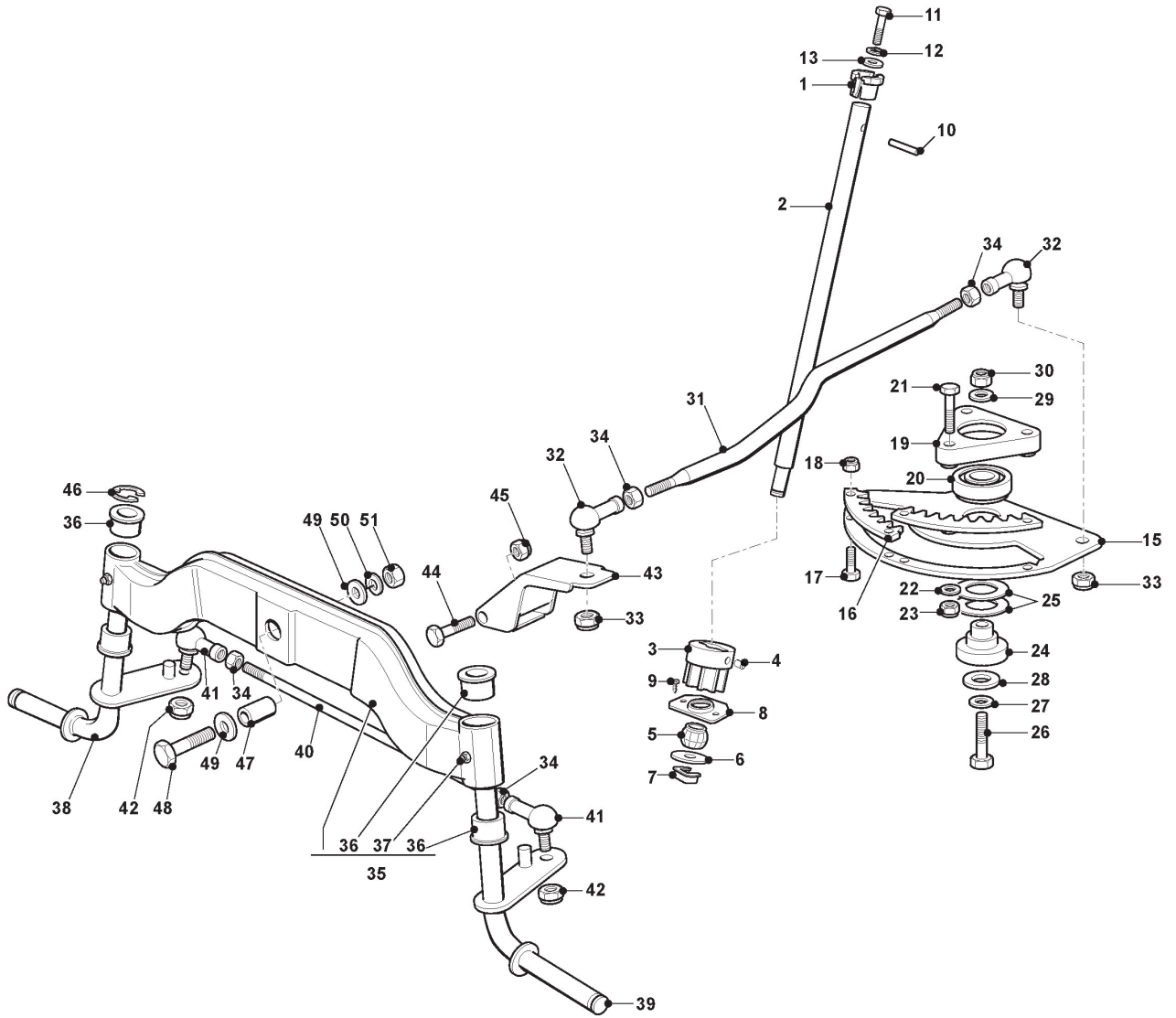
Body

Zn. c.	Množ.	Kód výrobku	Popis	Poznámky	From	Až do
1	1	325077017/0	Upper Engine Hood, Black			
2	1	382394658/0	Bonnet Right Side Cover, Black			
3	1	382394659/0	Bonnet Left Side Cover, Black			
4	1	325077018/0	Hood Front, Black			
5	1	382185500/1	Right Grill			
6	1	382185501/1	Left Grill			
7	1	325076870/1	Lower Black Hood, Front			
8	1	325108031/0	Conveyor			
9	6	112735403/0	Screw			
11	4	112728691/0	Screw			
12	1	325774301/2	Engine Hood Support			
13	5	112735406/0	Screw			
14	2	125510079/1	Pin			
15	2	112293201/0	Nut			
16	2	124487998/0	Cotter Pin			
17	2	325076956/0	Frontal Moulding			
18	2	325547159/1	Plate			
19	4	112731580/0	Screw			
20	1	382869025/0	Muffler Protection			
21	1	118737860/0	Cap			
22	1	112735120/0	Screw			
23	1	382785022/10	Right Dashboard Support			
24	1	382785021/9	Left Dashboard Support			
25	1	382785137/1	Central Dashboard Support			
26	2	112735654/0	Screw			
27	4	112735110/0	Screw			
28	1	325120278/0	Black Dashboard			
29	4	112728440/0	Screw			
30	2	125120200/0	Cap	Not for Electronic Card - TX/TS		
31	1	125600009/0	Rear Card Protection	Not for Electronic Card - TX/TS		
32	1	125600051/0	Protection			
33	2	125260000/0	Grommet			
34	2	112735654/0	Screw			
35	2	112521330/0	Washer			
36	2	325122000/2	Cap			
37	1	325110395/0	Cover (Hydro)			
38	1	125580020/2	Stake			
39	1	125110270/0	Right Footboard Cover			
40	1	125110260/2	Left Footboard Cover			
41	1	325109778/0	Wheels Cover (Hydro)			
42	4	112735420/0	Screw			
43	1	382110287/0	Grass-Catcher Cover			
44	2	112674701/0	Screw			
45	4	112729601/1	Screw			
46	2	112582101/0	Grower			
47	6	112521331/0	Washer			
48	1	325605003/0	Button			



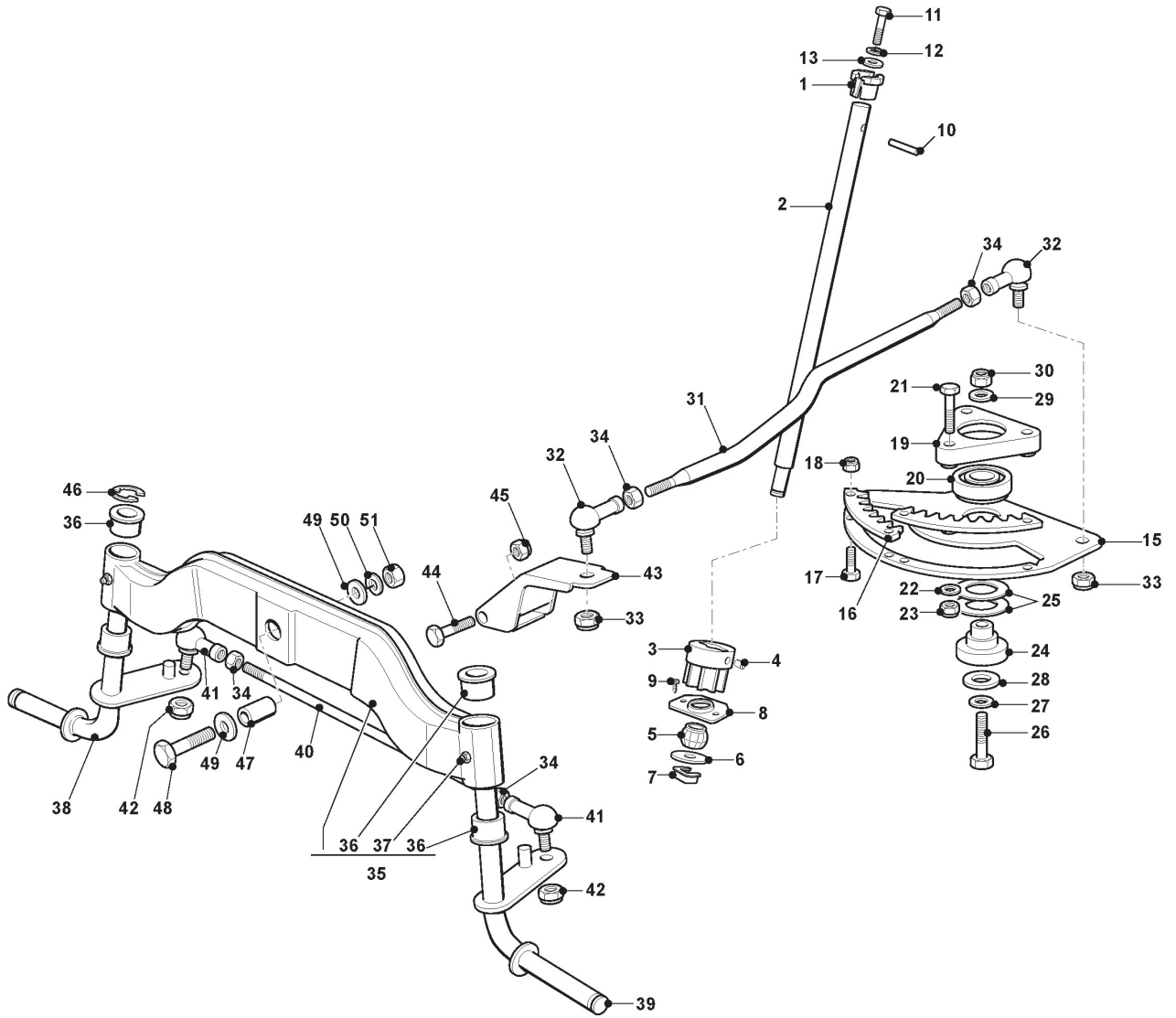
Body

Zn. c.	Množ.	Kód výrobku	Popis	Poznámky	From	Až do
49	1	325256250/0	Screwed Ring			



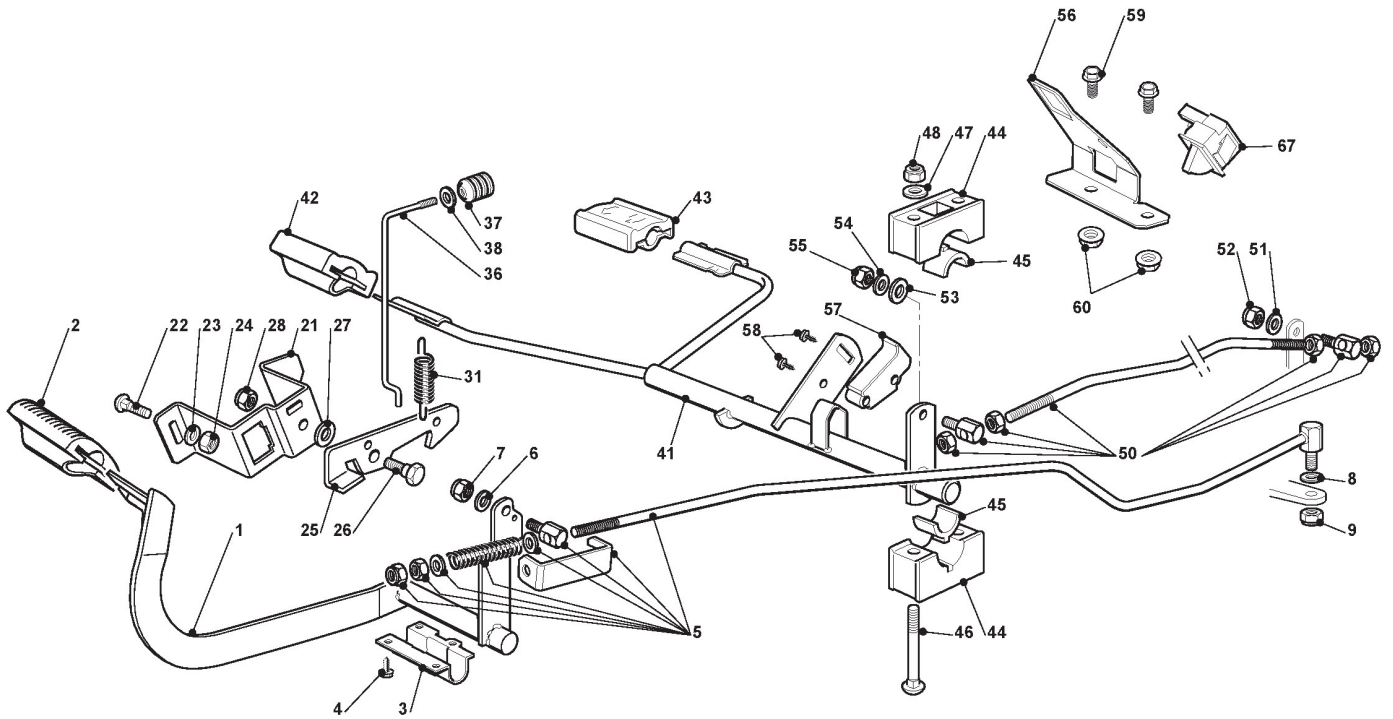
Steering

Zn. c.	Množ.	Kód výrobku	Popis	Poznámky	From	Až do
1	1	325038004/0	Bushing			
2	1	125520010/0	Steering Column			
3	1	125570004/0	Pinion			
4	1	112714300/0	Dowel			
5	1	325743000/0	Joint			
6	1	322672151/0	Antifriction Washer			
7	1	112436030/0	Plate			
8	1	325785213/1	Support			
9	2	112729601/1	Screw			
10	1	112620250/0	Pin			
11	1	112691800/0	Screw			
12	1	112583500/0	Grower			
13	1	122671651/0	Washer			
15	1	325735523/2	Steering Shaft			
16	2	325150000/0	Rack			
17	4	112791213/1	Screw			
18	4	112154510/0	Nut			
19	1	325774453/0	Clamp			
20	1	119216047/0	Bearing			
21	3	112691100/0	Screw			
22	3	122671651/0	Washer			
23	3	112155000/0	Nut			
24	1	125510120/0	Support			
25	2	322672153/0	Antifriction Washer			
26	1	112692395/2	Screw			
27	1	112523080/0	Washer			
28	1	112521390/0	Washer			
29	1	112523080/0	Washer			
30	1	112156602/0	Nut			
31	1	125033003/1	Steering Rod			
32	2	122746609/0	Joint			
33	2	112156602/0	Nut			
34	4	112295201/0	Nut			
35	1	382034001/3	Equalizer With Bush And Lubricator			
36	4	125034002/1	Bushing			
37	2	112379511/0	Grease Dispenser			
38	1	382230361/1	Right Stub Axle			
39	1	382230359/1	Left Stub Axle			
40	1	325840001/1	Tie Rod			
41	2	122746616/0	Joint			
42	2	112156602/0	Nut			
43	1	382318185/0	Lever Ass.Y			
44	1	112692395/2	Screw			
45	1	112156602/0	Nut			
46	1	112001000/0	Benzing Ring			
47	1	125160005/1	Spacer			
48	1	112694100/0	Screw			
49	2	112521390/0	Washer			



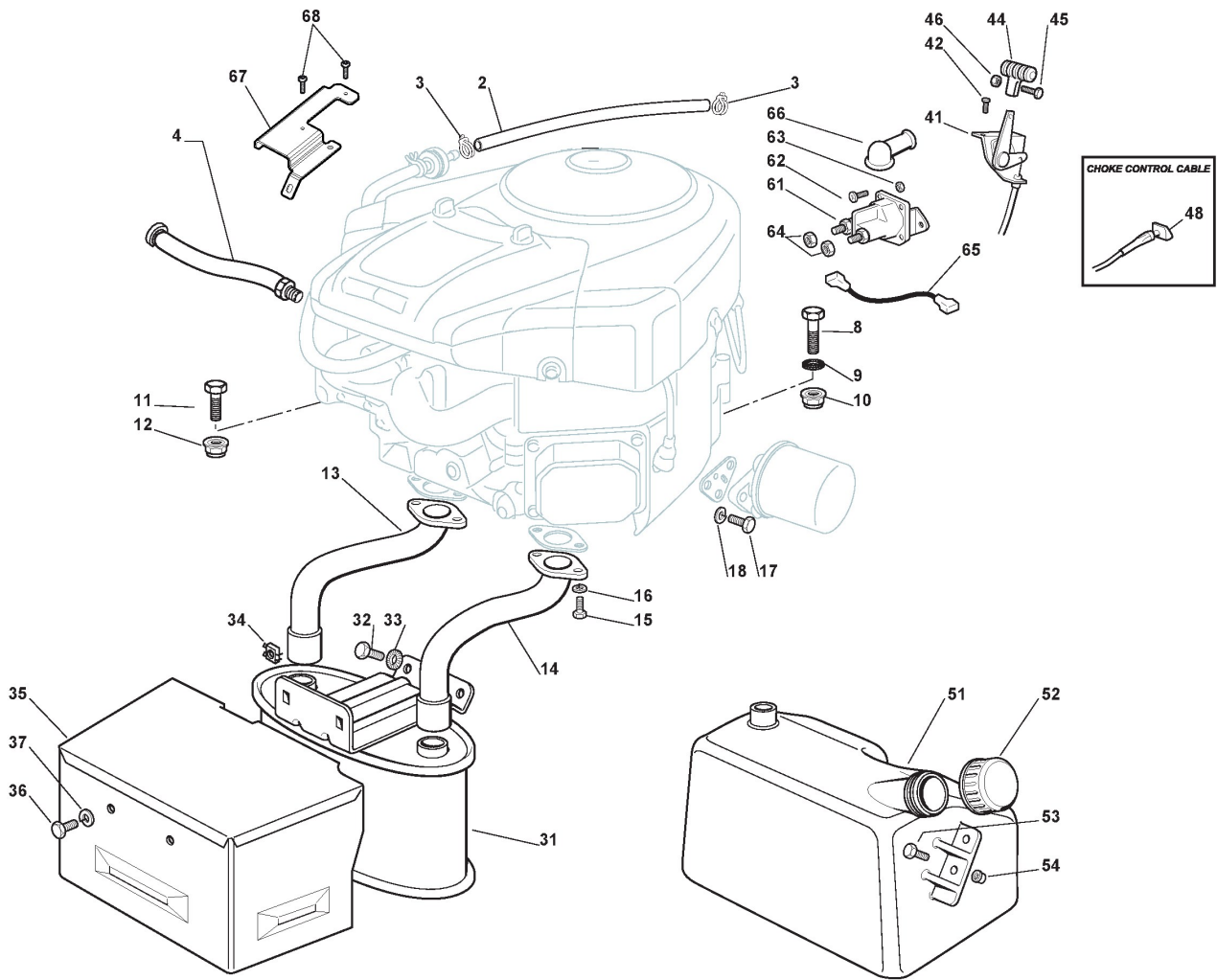
Steering

Zn. c.	Množ.	Kód výrobku	Popis	Poznámky	From	Až do
50	1	112587900/0	Grower			
51	1	112295800/0	Nut			



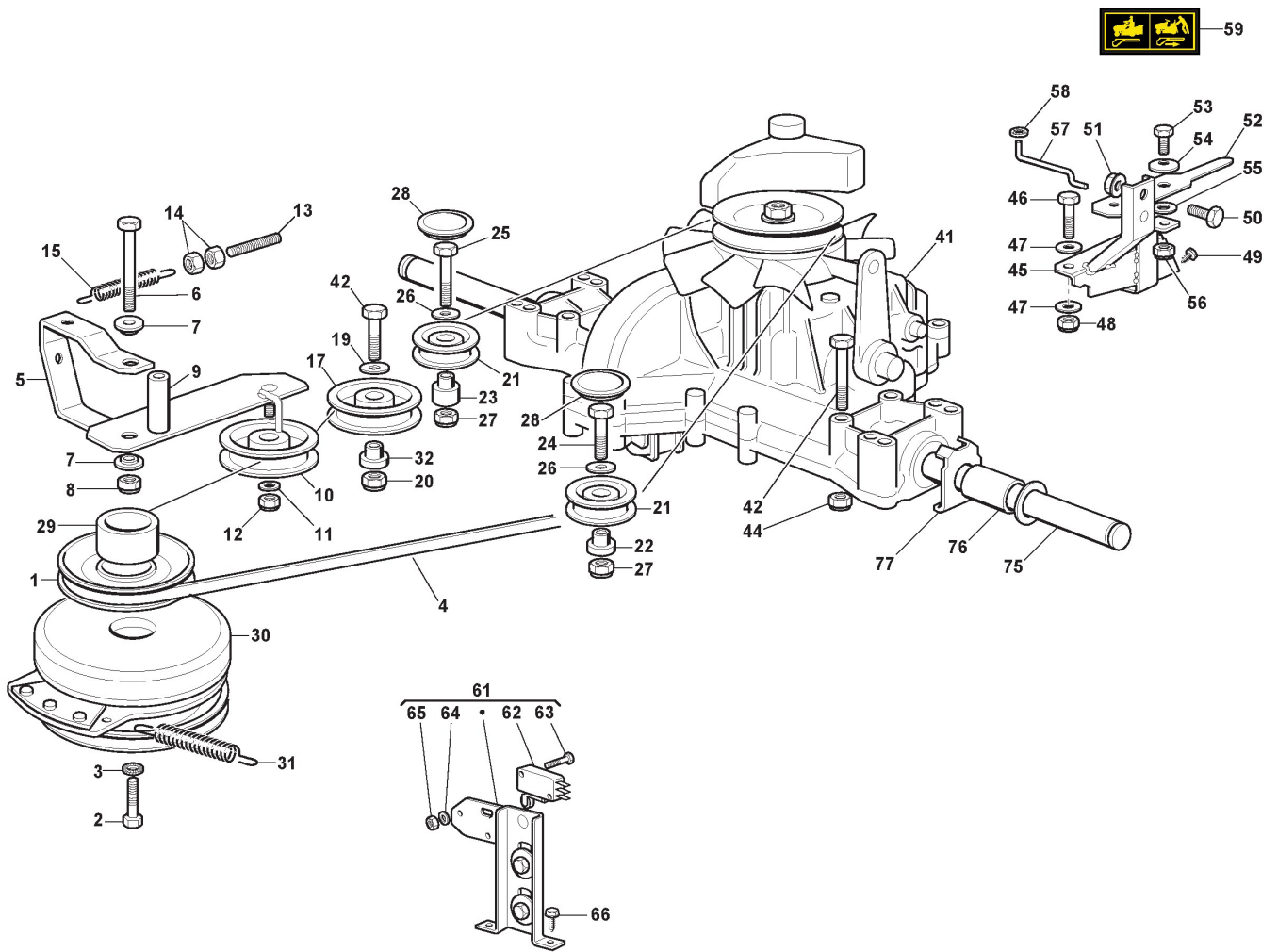
Brake And Gearbox Controls - TT

Zn. c.	Množ.	Kód výrobku	Popis	Poznámky	From	Až do
1	1	382500011/2	Pedal			
2	1	325110416/0	Clamp Cover			
3	1	325547081/2	Plate			
4	4	112731601/0	Screw			
5	1	382000582/0	Rod			
6	2	112521350/0	Washer			
7	2	112155000/0	Nut			
8	2	112521360/0	Washer			
9	1	112155000/0	Nut			
21	1	325785143/1	Support			
22	2	112815210/0	Screw			
23	1	112523040/0	Washer			
24	2	112154510/0	Nut			
25	1	325253001/0	Hook			
26	1	122524970/3	Pin			
27	1	325670011/0	Antifriction Washer			
28	1	112155000/0	Nut			
31	1	125430213/0	Spring			
36	1	125033034/0	Rod			
37	1	125394509/1	Knob			
38	1	112523020/0	Washer			
41	1	382000391/1	Drive Pedal			
42	1	325110417/0	Clamp Cover Front			
43	1	325110418/0	Clamp Cover Rear			
44	4	325785354/0	Support			
45	4	325034003/0	Brass			
46	4	112815271/0	Screw			
47	4	112523040/0	Washer			
48	4	112154510/0	Nut			
50	1	382000579/0	Rod			
51	1	112523040/0	Washer			
52	1	112154510/0	Nut			
53	1	112521360/0	Washer			
54	1	112523040/0	Washer			
55	1	112154510/0	Nut			
56	1	325785481/0	Micro Switch Bracket			
57	1	325060034/1	Cam			
58	1	112735404/0	Screw			
59	2	112793102/0	Screw			
60	2	112154220/0	Nut	From 01-September-2016		
60	2	112293201/0	Nut	To 31-August-2016		
67	1	119410614/0	Microswitch	To 31-August-2019		
67	1	119410623/0	Microswitch	From 01-September-2019		



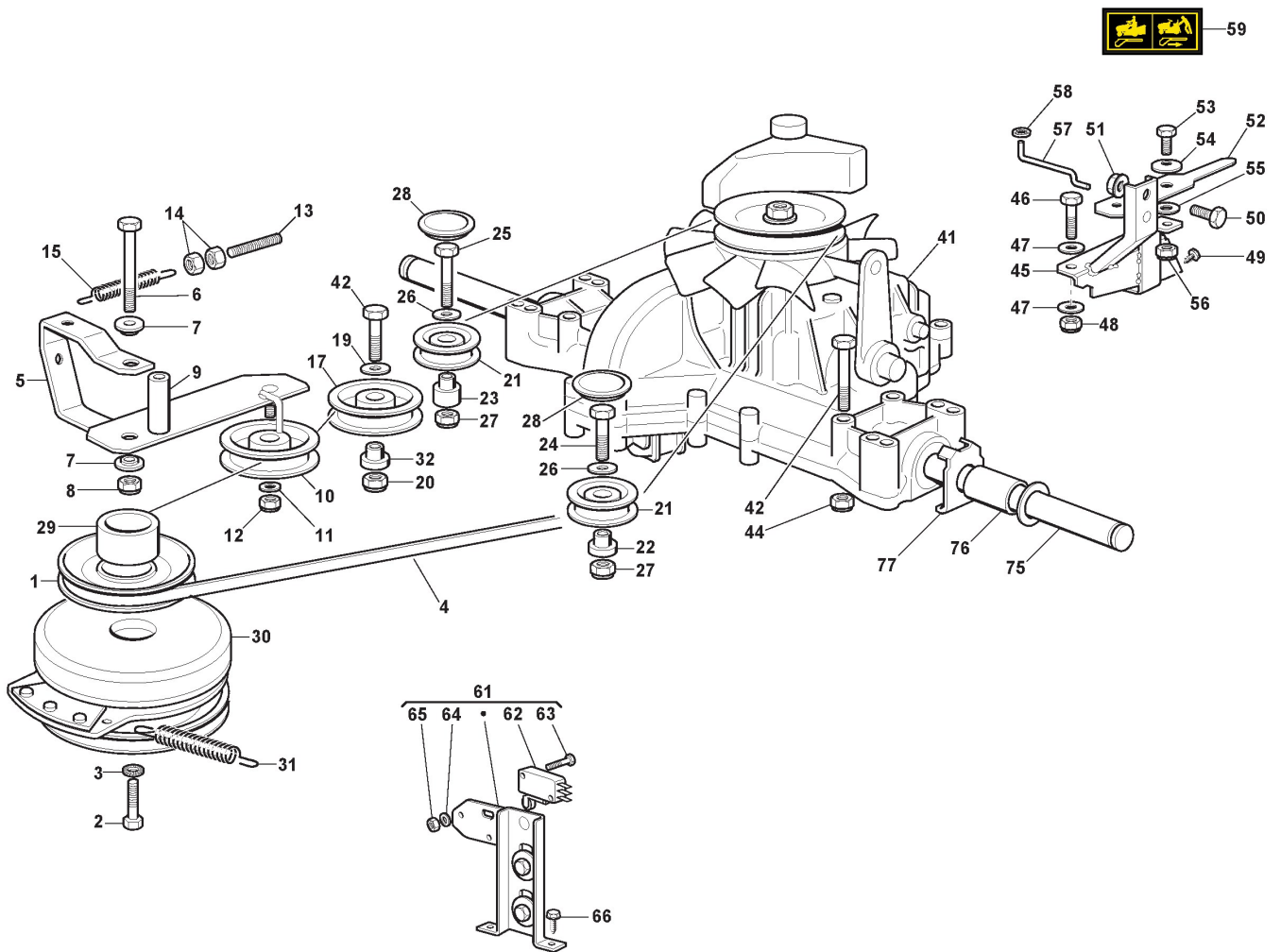
Engine - B&S

Zn. c.	Množ.	Kód výrobku	Popis	Poznámky	From	Až do
2	1	325869016/1	Connecting Tube			
3	2	118375051/1	Fair Led			
4	1	1134-5827-01	Oil Drain Assy			
8	1	112691115/0	Screw			
9	1	112540260/0	Washer			
10	1	112154210/0	Nut			
11	3	112691100/0	Screw			
12	3	112154210/0	Nut			
13	1	118738214/0	Exhaust Discharge Tube Right			
14	1	118738215/0	Exhaust Discharge Tube Left			
15	4	112735530/0	Screw			
16	4	112583500/0	Grower			
17	3	112791400/0	Screw			
18	3	112582100/0	Grower			
31	1	182750011/0	Single-Cylinder Muffler			
32	2	112793102/0	Screw			
33	2	112540260/0	Washer			
34	2	112360425/0	Nut			
35	1	382598005/2	Muffler Protection			
36	2	112792611/0	Screw			
37	2	112583500/0	Grower			
41	1	182000218/0	Accelerator			
42	2	125943012/0	Screw			
44	1	325592000/0	Knob			
44	1	325592000/1	Knob			
45	1	112726388/0	Screw			
46	1	112290800/0	Nut			
48	1	125090001/2	Choke Control	if foreseen		
51	1	325735111/3	Tank			
52	1	125795000/1	Fuel Cap			
53	2	112788910/0	Screw			
54	2	112500092/0	Rivet			
61	1	118736113/0	Starter Relay			
62	2	112791011/0	Screw			
63	2	112292102/0	Nut			
64	2	112361005/0	Nut			
65	1	125065017/0	Cable			
66	1	118564861/2	Protection			
67	1	325774701/0	Bracket			
68	2	112735654/0	Screw			



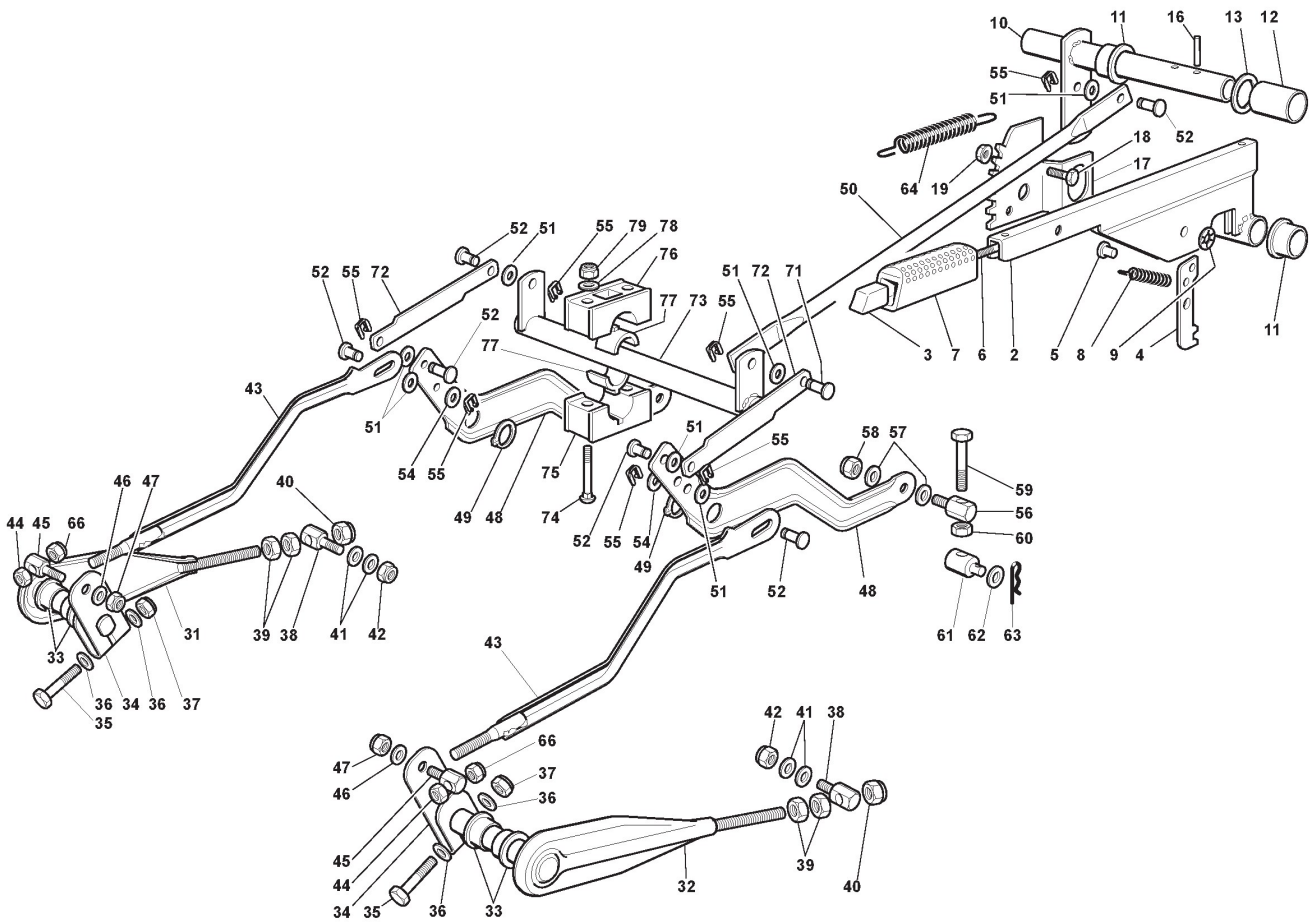
TT Transmission with Electromagnetic Clutch

Zn. c.	Množ.	Kód výrobku	Popis	Poznámky	From	Až do
1	1	125601566/1	Pulley			
2	1	112737320/0	Screw			
3	1	112543000/0	Washer			
4	1	135062020/1	Trapezoidal Belt			
5	1	382318165/2	Lever			
6	1	112793905/0	Screw			
7	2	125038002/1	Bushing			
8	1	112155000/0	Nut			
9	1	125160027/0	Spacer			
10	1	125601554/0	Pulley			
11	1	112523060/0	Washer			
12	1	112155000/0	Nut			
13	1	125840010/1	Tie Rod			
14	2	112293200/0	Nut			
15	1	125430219/1	Spring			
17	1	325601599/0	Pulley			
19	1	112523060/0	Washer			
20	1	112155000/0	Nut			
21	2	325601570/1	Pulley			
22	1	125160030/2	Left Spacer			
23	1	125160024/2	Right Spacer			
24	1	112691115/0	Screw			
25	1	112691400/0	Screw			
26	2	112523060/0	Washer			
27	2	112155000/0	Nut			
28	2	125109521/1	Cover			
29	1	125160021/0	Spacer			
30	1	118399062/0	Electromagnetic Clutch			
31	1	125430210/1	Brake Spring			
32	1	125160056/0	Spacer			
41	1	118400950/1	Rear Axle Tuff Torq K46F			
42	5	112691800/0	Screw			
44	4	112154210/0	Nut			
45	1	382785109/1	Support			
46	1	112691200/0	Screw			
47	2	112521350/0	Washer			
48	1	112155000/0	Nut			
49	2	112735120/0	Screw			
50	1	112792611/0	Screw			
51	1	112154220/0	Nut			
52	1	325318157/0	Lever			
53	1	112793102/0	Screw			
54	1	112369500/0	Elastic Washer			
55	1	325670011/0	Antifriction Washer			
56	1	112155000/0	Nut			
57	1	125033033/1	Rod			
58	1	112604896/0	Crown Fastener			
59	1	114370818/0	Label			



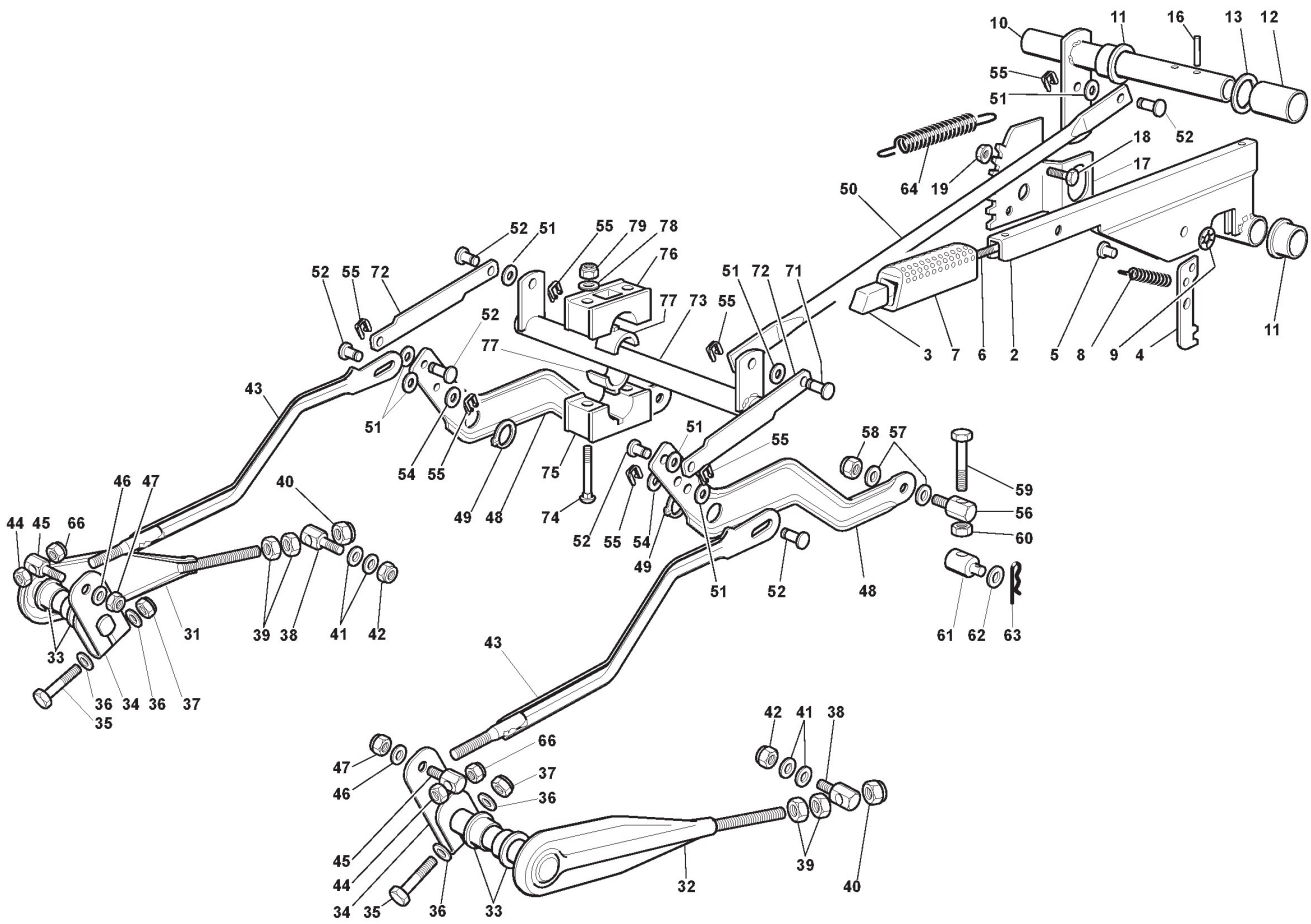
TT Transmission with Electromagnetic Clutch

Zn. c.	Množ.	Kód výrobku	Popis	Poznámky	From	Až do
61	1	382394853/0LC	Switch Ass.Y			
62	1	119410609/1LC	Micro Switch			
63	2	112735602/0	Screw			
64	2	112581100/0	Grower			
65	2	112290791/0	Nut			
66	2	112735110/0	Screw			
75	4	112521410/0	Washer			
76	2	125160023/0	Spacer			
77	2	325670025/0	Washer			



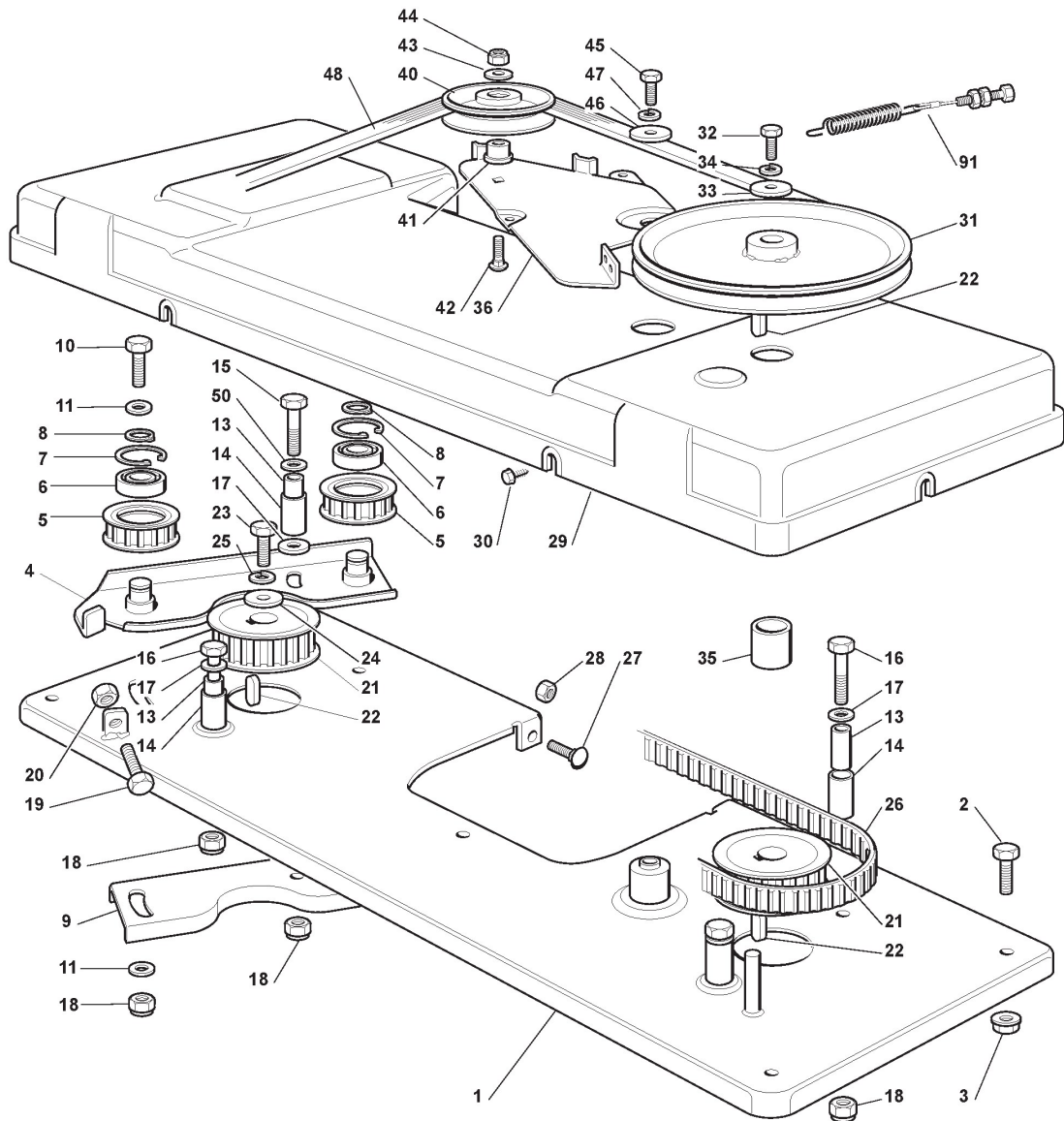
Cutting Plate Lifting

Zn. c.	Množ.	Kód výrobku	Popis	Poznámky	From	Až do
2	1	382318139/0	Deck Lifting Lever	To 31-August-2016		
2	1	382318139/1	Deck Lifting Lever	From 01-September-2016		
3	1	125605000/1	Button			
4	1	325470901/0	Dog Plate	To 31-August-2011		
4	1	325470901/1	Dog Plate	From 01-September-2011		
5	1	125510011/0	Pin	To 31-August-2013		
5	1	125510011/1	Pin	From 01-September-2013		
6	1	125033002/0	Push Rod	To 31-August-2011		
6	1	125033002/1	Rod	From 01-September-2011		
7	1	325394536/0	Knob			
8	1	125430208/0	Spring	To 31-August-2015		
8	1	125430208/1	Spring	From 01-September-2015		
9	1	112604899/0	Crown Fastener			
10	1	382000551/0	Axle			
11	2	122034523/0	Bushing			
12	1	125160025/0	Spacer	To 31-August-2015		
12	1	125160025/1	Spacer	From 01-September-2015		
13	1	322672153/0	Antifriction Washer			
16	2	112620206/0	Pin			
17	1	325735506/1	Left Sector	To 31-August-2015		
17	1	325735506/2	Left Sector	From 01-September-2015		
18	2	112792611/0	Screw			
19	2	112154220/0	Nut	From 01-September-2016		
19	2	112293201/0	Nut	To 31-August-2016		
31	1	382318155/0	Front Right Fulcrum Lever			
32	1	382318157/0	Left Fulcrum			
33	4	125040605/0	Bushing			
34	2	325318161/0	Lever			
35	2	112691700/0	Screw			
36	4	112521350/0	Washer			
37	2	112155000/0	Nut			
38	2	125510056/0	Pin			
39	4	112295200/0	Nut			
40	2	112156602/0	Nut			
41	4	325670008/1	Washer			
42	2	112156602/0	Nut			
43	2	382000477/2	Connecting Rod Assy	To 31-August-2011		
43	1	382000477/3	Connecting Rod Ass.Y	From 01-September-2011		
44	2	112155000/0	Nut			
45	2	125510055/1	Pin			
46	2	112521350/0	Washer			
47	2	112155000/0	Nut			
48	2	325318153/1	Rear Lever			
49	2	112609255/0	Seeger			
50	1	325033071/0	Rod			
51	7	325670011/0	Antifriction Washer			
52	7	125510117/0	Pin			
54	2	112521350/0	Washer			



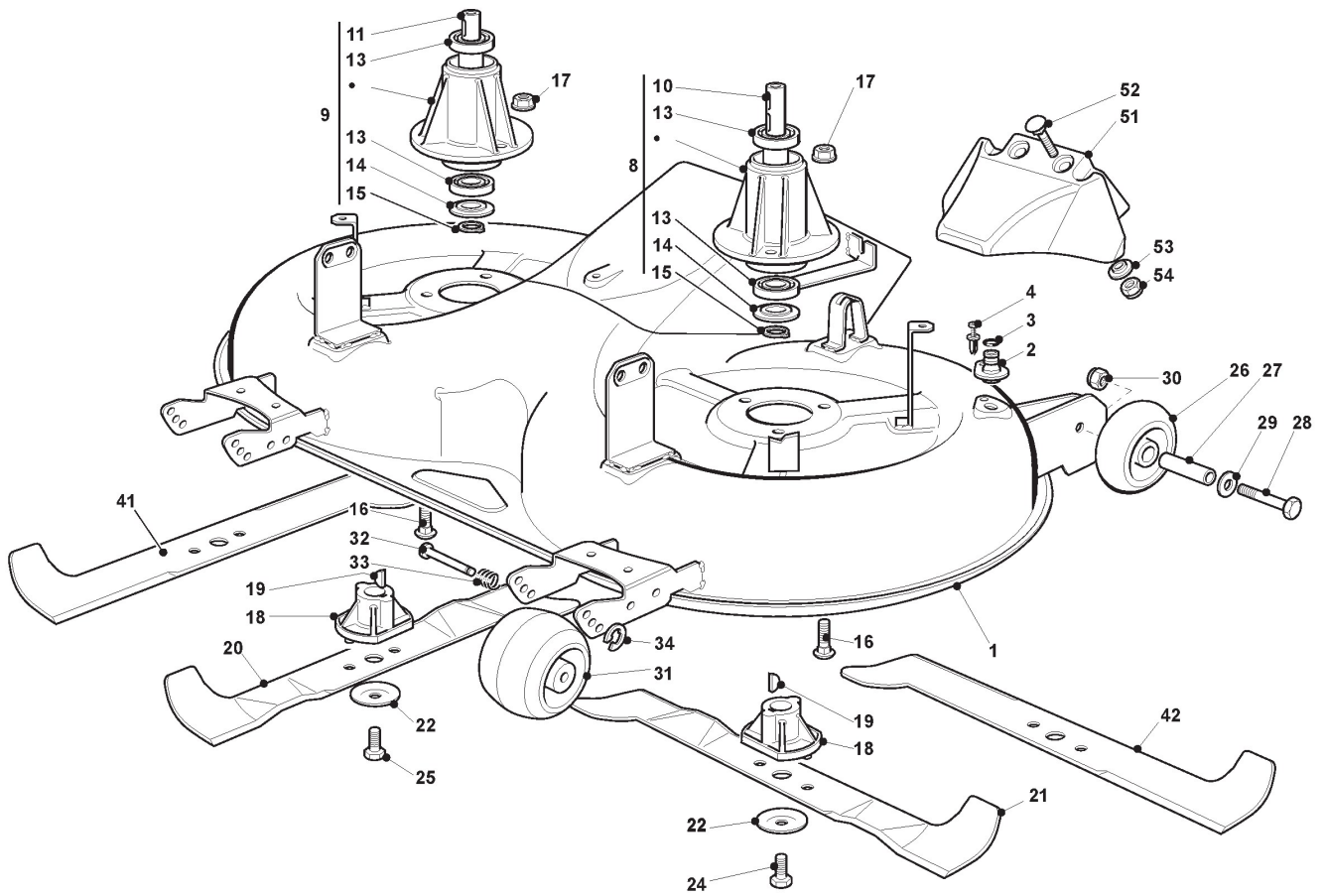
Cutting Plate Lifting

Zn. c.	Množ.	Kód výrobku	Popis	Poznámky	From	Až do
55	7	112436050/0	Plate			
56	2	125510056/0	Pin			
57	4	325670008/1	Washer			
58	2	112156602/0	Nut			
59	2	112794980/0	Screw			
60	2	112295200/0	Nut			
61	2	125510070/0	Pin			
62	2	112523090/0	Washer			
63	2	124487998/0	Cotter Pin			
64	1	125430218/0	Spring	To 31-August-2015		
64	1	125430218/1	Spring	From 01-September-2015		
66	2	112293200/0	Nut			
71	1	125510048/1	Pin			
72	2	325318223/0	Gearshift			
73	1	382000585/0	Axle			
74	4	112815271/0	Screw			
75	2	325785355/0	Support			
76	2	325785354/0	Support			
77	4	325034003/0	Brass			
78	4	112523040/0	Washer			
79	4	112154510/0	Nut			



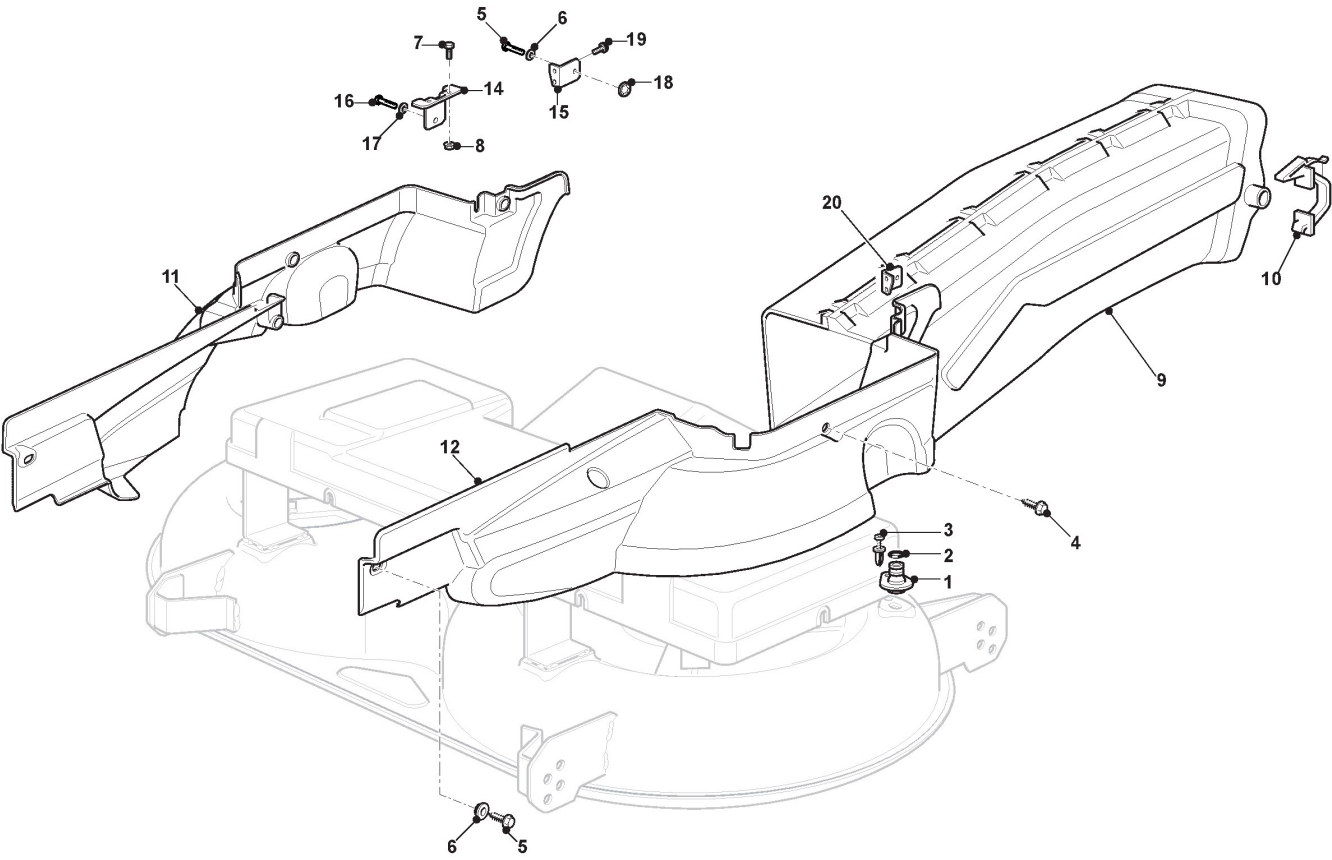
Blades Engagement

Zn. c.	Množ.	Kód výrobku	Popis	Poznámky	From	Až do
1	1	382547029/3	Plate			
2	4	112793102/0	Screw			
3	4	112154220/0	Nut			
4	1	382785084/3	Support			
5	2	125601559/1	Toothed Pulley			
6	2	119216048/0	Bearing			
7	2	112610800/0	Seeger			
8	2	112609200/0	Seeger			
9	1	325650037/1	Pulley Stiffening			
10	3	112691700/0	Screw			
11	7	112521350/0	Washer			
13	4	125160003/2	Spacer			
14	4	125038000/0	Bushing			
15	1	112691700/0	Screw			
16	3	112691200/0	Screw			
17	4	112521350/0	Washer			
18	6	112155000/0	Nut			
19	1	112793900/0	Screw			
20	1	112293200/0	Nut			
21	2	125601560/0	Pulley			
22	3	112139480/0	Feather			
23	1	112793102/0	Screw			
24	1	125670007/0	Washer			
25	1	112583500/0	Grower			
26	1	135065600/0	Belt			
27	3	112815200/0	Screw			
28	3	112292102/0	Nut			
29	1	325060128/0	Case			
30	6	112735110/0	Screw			
31	1	125601550/0	Pulley			
32	1	112793102/0	Screw			
33	1	125670007/0	Washer			
34	1	112583500/0	Grower			
35	1	125160002/1	Spacer			
36	1	325318115/2	Brake Lever			
40	1	325601599/0	Pulley			
41	1	125160079/0	Spacer			
42	1	112818900/0	Screw			
43	1	112523060/0	Washer			
44	1	112155000/0	Nut			
45	1	9959-0820-16	Screw			
46	1	112523070/0	Washer			
47	1	112583500/0	Grower			
48	1	135062811/0	Belt			
50	1	122671651/0	Washer			
91	1	182004608/0	Engagging Cable			



Cutting Plate

Zn. c.	Množ.	Kód výrobku	Popis	Poznámky	From	Až do
1	1	382564131/0	Cutting Plate Black			
2	2	125033060/0	Washing Cutting Deck Connection			
3	2	119035000/0	Or Ring			
4	2	112500030/0	Rivet			
8	1	382207200/1	Flange Assy	To 31-August-2018		
8	1	382207200/1LC	Flange Assy	From 01-September-2018		
9	1	382207201/2	Support Shaft Tc	To 31-August-2018		
9	1	382207201/2LC	Support Shaft Tc	From 01-September-2018		
10	1	125020800/1	Main Blade Shaft			
11	1	125020801/2	Secondary Blade Shaft			
13	4	119216047/0	Bearing			
14	2	325160501/0	Dust Cover Disc	To 31-december-2018		
14	2	325160501/1	Dust Cover Disc	From 01-January-2019		
15	2	112609260/0	Seeger			
16	6	9959-0825-16	Screw			
17	6	112154210/0	Nut			
18	2	125463200/0	Blade Hub			
19	2	112139100/0	Key			
20	1	182004348/0	Right Mulching Blade, Winged			
21	1	182004347/0	Left Blade Mulching, Winged			
22	2	125160503/0	Blade Hub Elastic Disc Lawnt.			
24	1	112735696/0	Screw			
25	1	112735697/1	Screw			
26	2	182700003/0	Anti Scalp Wheel			
27	2	125510072/1	Pin			
28	2	112692050/0	Screw			
29	2	112523060/0	Washer			
30	2	112293201/0	Nut			
31	2	182700004/0	Anti Scalp Wheel			
32	2	125510121/1	Pin			
33	2	122450115/0	Spring			
34	2	112000930/0	Benzing Ring			
41	1	182004341/1	Right Blade, Winged			
42	1	182004340/1	Left Blade, Winged			
51	1	325140100/0	Deflector			
52	2	112815210/0	Screw			
53	2	125038002/1	Bushing			
54	2	112154510/0	Nut			

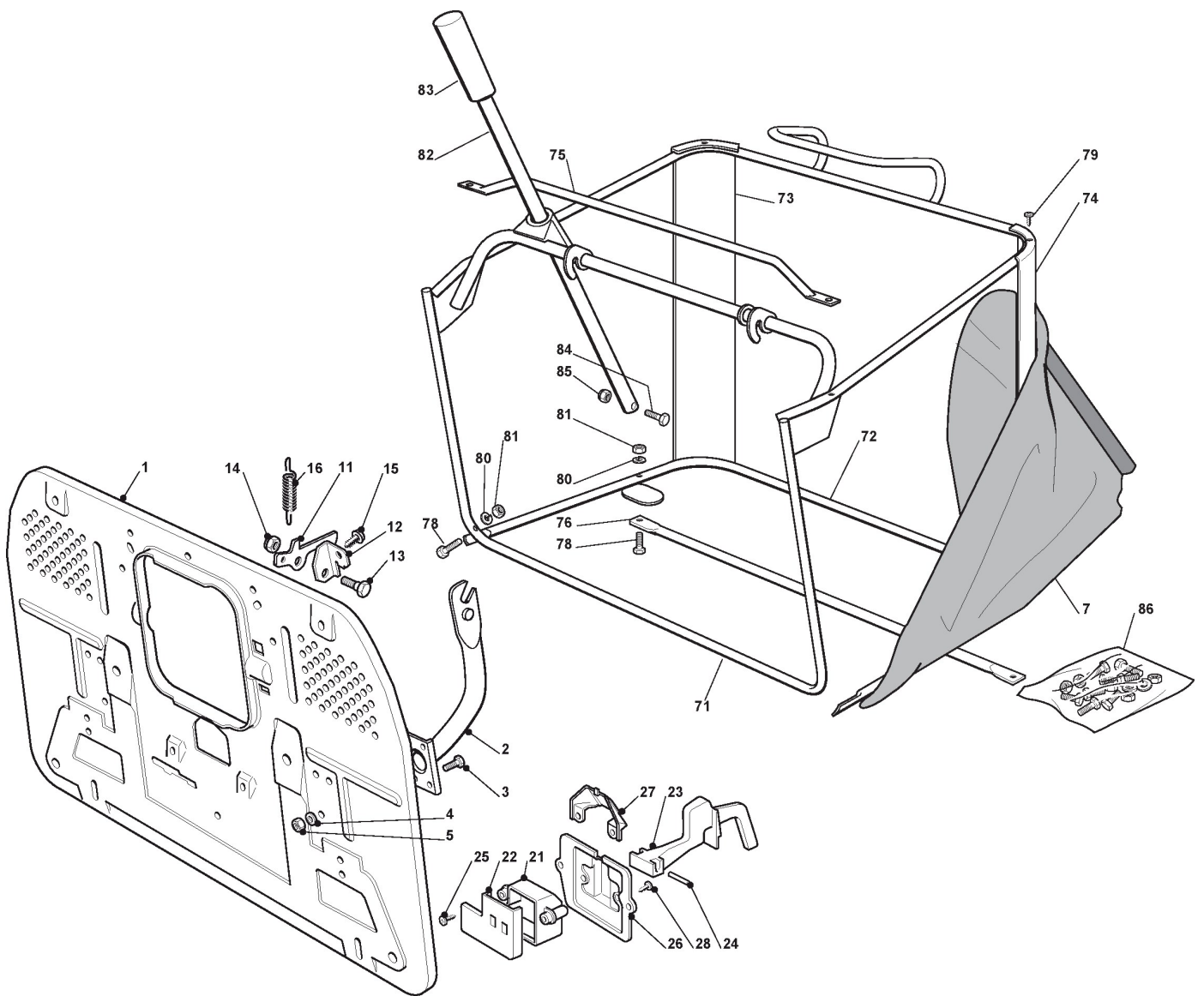


Guards And Conveyor

Zn. c.	Množ.	Kód výrobku	Popis	Poznámky	From	Až do
1	2	125033060/0	Washing Cutting Deck Connection			
2	2	119035000/0	Or Ring			
3	2	112500030/0	Rivet			
4	2	125943010/0	Screw			
5	4	125943014/0	Screw			
6	4	325670008/1	Washer			
7	2	112788910/0	Screw			
8	2	112154330/0	Nut			
9	1	382108016/1	Conveyor			
10	2	325774373/0	Clamp			
11	1	325060144/1	Protection			
12	1	325060145/1	Protection			
14	2	325774423/0	Clamp			
15	1	325774425/0	Clamp			
16	2	112735120/0	Screw			
17	2	325160039/0	Spacer			
18	2	112604899/0	Crown Fastener			
19	2	112729601/1	Screw			
20	1	325774421/0	Clamp			

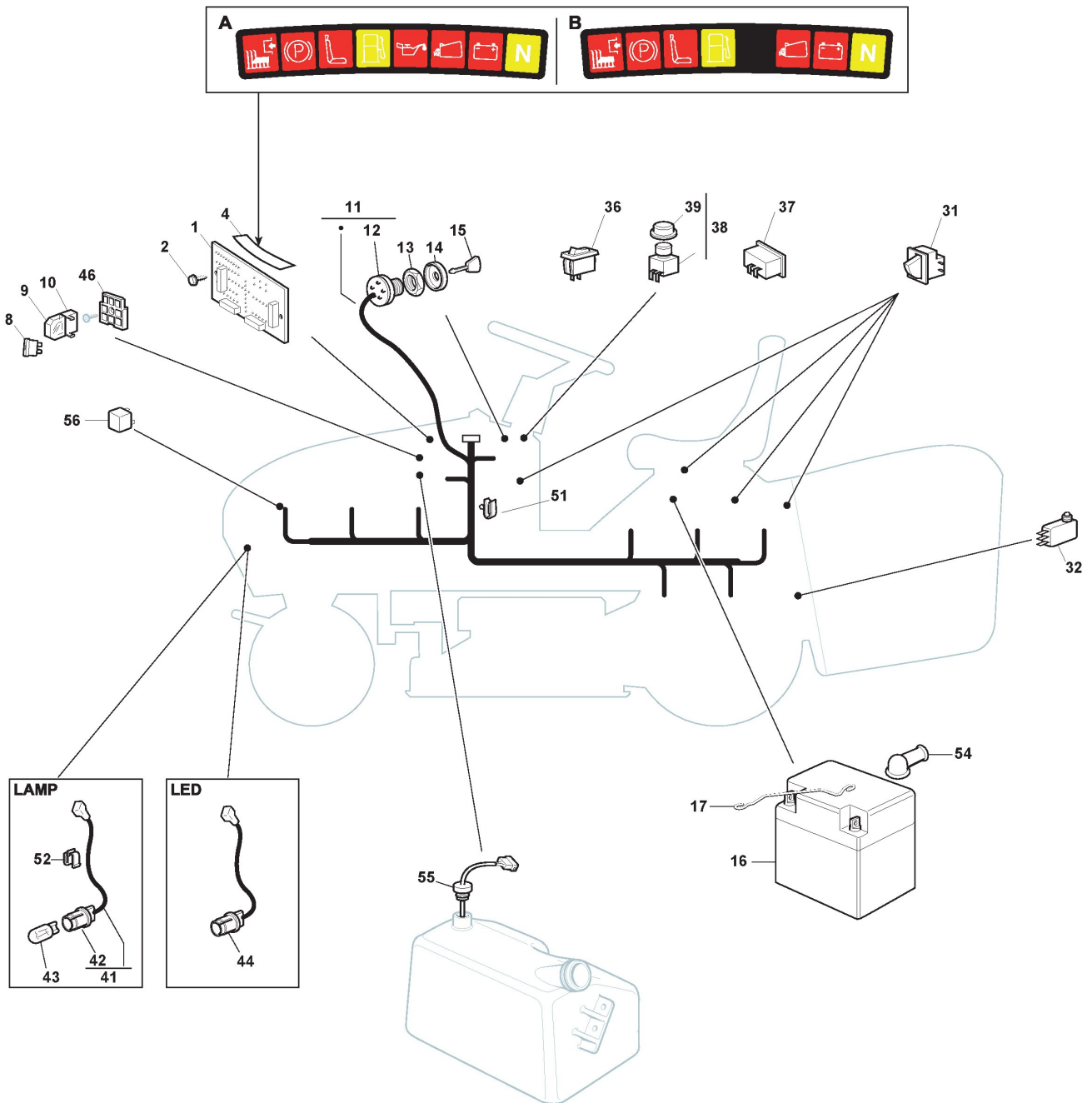
Grasscatcher

Zn. c.	Množ.	Kód výrobku	Popis	Poznámky	From	Až do
1	1	382547051/0	Plate	To 31-August-2016		
1	1	382547051/1	Plate	From 01-September-2016 To 09-May-2019		
1	1	382547053/1	Plate	From 10-May-2019		
2	2	182774225/1	Clamp			
3	6	112793102/0	Screw			
4	6	112523060/0	Washer			
5	6	112293201/0	Nut			
7	1	182106000/2	Grasscatcher	Black without Logo		
11	1	325774315/1	Bracket	From 01-September-2010		
11	1	325774417/0	Clamp	To 31-August-2010		
12	1	325755031/0	Clamp	To 31-August-2010		
12	1	325755031/1	Bracket	From 01-September-2010 To 31-August-2015		
12	1	325755031/2	Bracket	From 01-September-2015		
13	1	125510080/0	Pin	To 31-August-2010		
13	1	125510080/1	Pin	From 01-September-2010 To 31-August-2016		
13	1	125510080/2	Pin	From 01-September-2016		
14	1	112292102/0	Nut			
15	1	112735122/0	Screw	To 31-August-2014		
15	1	112735122/1	Screw	From 01-September-2014 To 31-August-2016		
15	1	112735661/0	Screw	From 01-September-2016		
16	1	125430210/1	Brake Spring	From 01-September-2010		
16	1	127430579/0	Clutch Spring	To 31-August-2010		
21	1	125600041/0	Grassc.Full Micro Protection Tcj-F			
22	1	125600042/0	Grasscatcher Micro Prot Cover			
23	1	125318124/0	Full Grassc. Microswtich Cover			
24	1	112400030/0	Pin			
25	1	112728510/0	Screw			
26	1	325785272/0	Micro Protection	To 31-August-2017		
26	1	325785272/1	Micro Protection	From 01-September-2017		
27	1	125600048/0	Empty Micro Grassc.Protection Cover			
28	2	112728450/0	Screw			
71	1	382800051/0	Upper Frame	To S/N 20BA1RON000616		
71	1	382800051/1	Upper Frame	From S/N 20BA1RON000617		
72	1	382800002/2	Lower Grasscatcher Frame			
73	1	325032001/1	Right Angular Support			
74	1	325032002/1	Left Angular Support			
75	1	382394001/2	Front Handle			
76	1	382650038/0	Lower Stiffening	To S/N 19KA1RON000307		
76	1	382650038/1	Lower Stiffening	From S/N 19KA1RON000308		
78	4	112792099/0	Screw			
79	4	112729601/0	Screw	To 31-August-2003		
79	4	112729601/1	Screw	From 01-September-2003		
80	4	112582101/0	Grower			
81	4	112292100/0	Nut			
82	1	125869029/1	Grasscatcher Lifting Tube			



Grasscatcher

Zn. c.	Množ.	Kód výrobku	Popis	Poznámky	From	Až do
83	1	125394508/0	Knob			
84	1	112792099/0	Screw			
85	1	112154510/0	Nut			
86	1	382180027/1	Outfit, Screws			

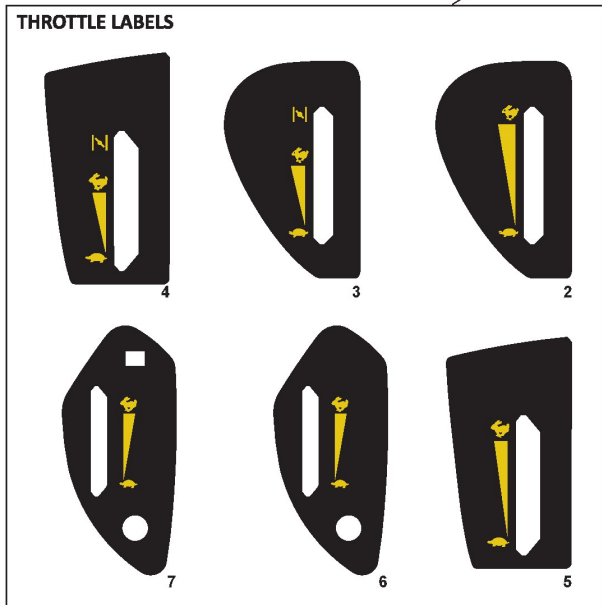
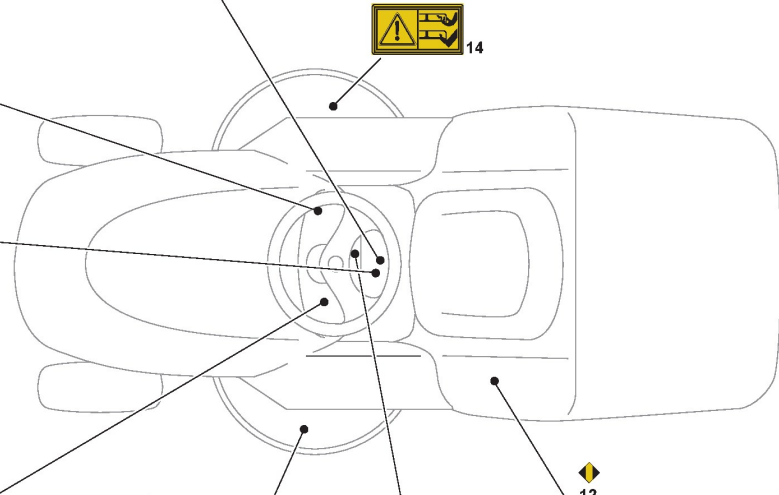
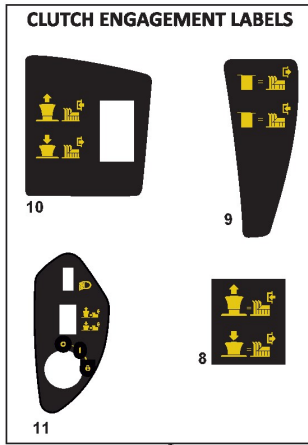


Electrical Parts

Zn. c.	Množ.	Kód výrobku	Popis	Poznámky	From	Až do
1	1	125722441/0	Electronic Card			
2	3	112735105/0	Screw			
4	1	125420005/0	Check Control (B)	A		
8	1	133340036/0	Fuse 25 A			
8	1	133340040/0	Fuse 10 A			
9	2	133215000/0	Cover			
10	2	133500007/0	Fuse Carrier			
11	1	182040206/2	Cables Ass.Y - ISO			
12	1	118450065/1	Starting Switch			
13	1	118400861/0	Screwed Ring			
14	1	118565351/0	Screwed Ring Protection			
15	1	118210016/1	Starting Key			
16	1	118120007/0	Battery			
17	1	125430230/0	Spring			
31	3	119410622/1	Microswitch			
32	1	119410605/1	Microswitch			
36	1	118450084/0	Headlight Switch			
37	1	9400-0384-01	Hour Meter			
38	1	118450067/0	Switch			
39	1	118203852/0	Cap			
41	1	182040073/0	Headlight Cable	for LAMP Version		
42	2	133500030/0	Lamp Holder			
43	2	118459100/0	Lamp For Lights			
44	1	182040192/0	Cables Ass.Y	for LED Version		
46	1	133500010/1	Plate			
51	5	133320506/0	Fairlead			
52	1	133320504/0	Fairlead			
54	1	118564864/1	Protection			
55	1	125290000/0	Fuel Level Indicator			
56	1	133567000/0	Relay			

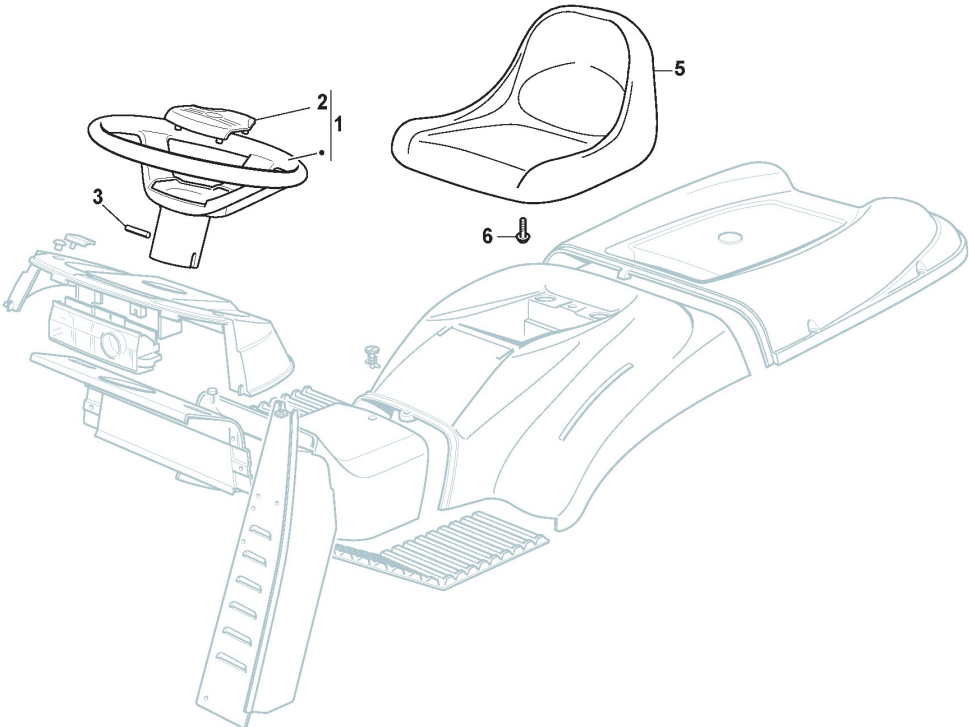
Optionals On Request

Zn. c.	Množ.	Kód výrobku	Popis	Poznámky	From	Až do
2	1	382400003/0	Ejection Guard	To 31-August-2003		
2	1	382400003/1	Ejection Guard	From 01-September-2006		
3	1	325869043/0	Rear Support			
4	2	118566112/0	Polyethylene Push Road Ivars D=20inch			
5	2	112689515/0	Screw			
6	2	112154510/0	Nut			
7	2	125510022/0	Pin	To 31-August-2012		
7	1	125510022/1	Pin	From 01-September-2012		
8	2	124487998/0	Cotter Pin			
9	1	124487999/0	Spring Pin			
23	3	112760520/0	Screw			
24	3	112155000/0	Nut			
42	1	382735502/0	Bracket			
43	1	325774213/0	Bracket			
44	1	382033105/1	Rod	To 31-August-2014		
44	1	382033115/0	Hitch Bar	From 01-September-2014		
45	1	125510021/1	Hitch Pin			
46	2	124487999/0	Spring Pin			
51	1	182180050/0	Battery Charger	CE Plug;From 01-September-2009		
51	1	182180052/0	Battery Charger	BS Plug;From 01-September-2009		
51	1	182180090/0	Battery Charger 12V 1A - CE Plugg	CE Plug;To 31-August-2009		
51	1	182180091/0	Battery Charger 12V 1A - UK Plugg	BS Plug;To 31-August-2009		
72	1	325140097/0	Deflector			
73	1	325394005/0	Handle			
74	1	125510077/0	Pin			
75	1	125430245/0	Spring			
76	1	112735405/0	Screw			
77	1	325280000/1	Handgrip			
78	1	125840011/0	Elastic Tie-Rod	To 31-August-2003		
78	1	125840011/1	Tie Rod	From 01-September-2003		
79	2	125253004/0	Mulch.Kit Fixing Hook			



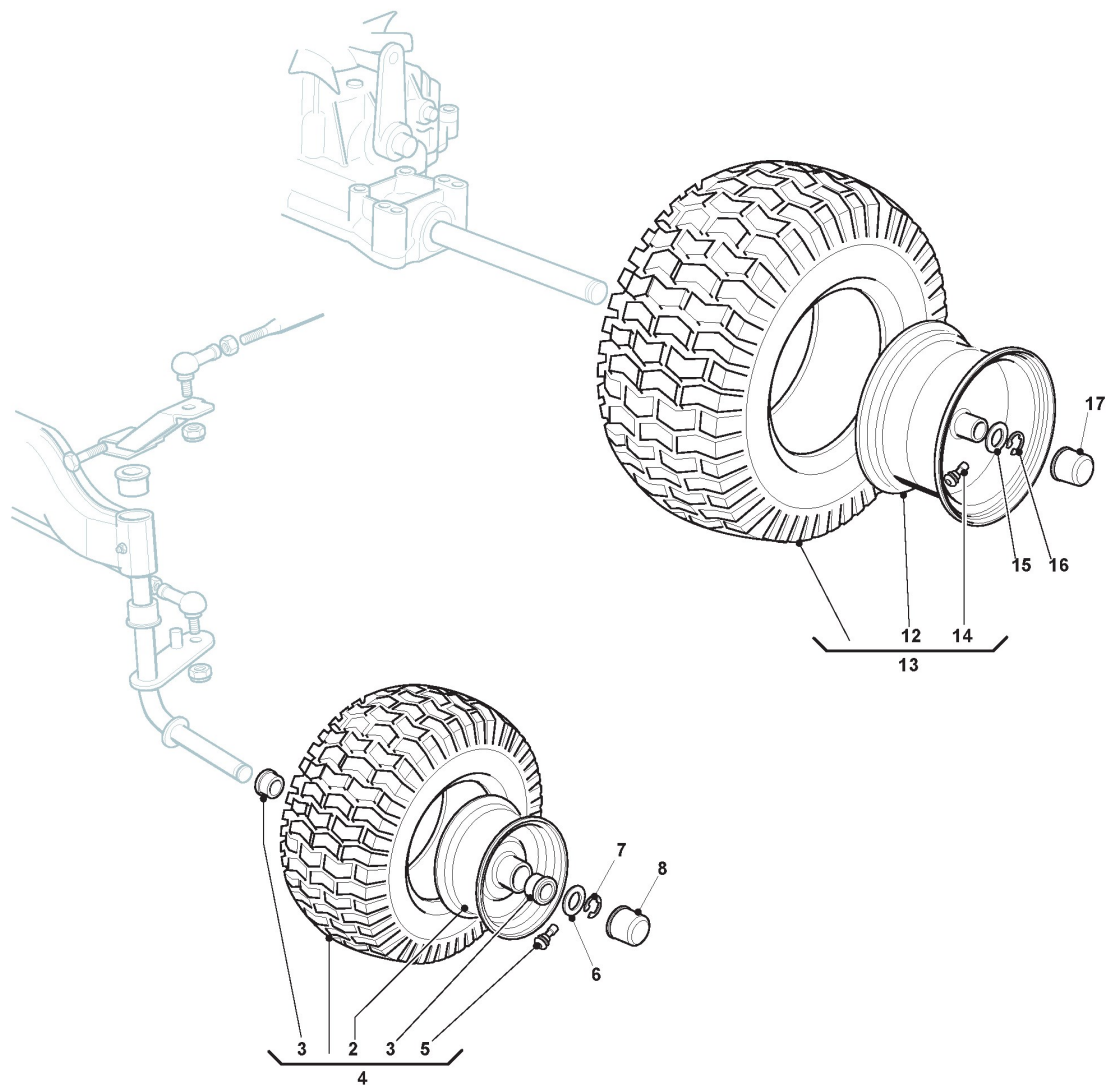
Labels

Zn. c.	Množ.	Kód výrobku	Popis	Poznámky	From	Až do
1	1	114361553/1	Label			
2	1	114356756/2	Throttle Label			
3	1	114356754/1	Throttle Label			
4	1	114360717/1	Label			
5	1	114360716/1	Label			
6	1	114370566/0	Label			
7	1	114370565/0	Throttle Label			
8	1	114360912/0	Label			
9	1	114357967/0	Label			
10	1	114360715/3	Label			
11	1	114370567/0	Clutch Engage Label			
12	1	114357913/0	Label			
13	1	114357905/1	Left Cutting Deck Label			
14	2	114356699/1	Label			
15	1	114365612/1	Label			
16	1	114370568/0	Label			
17	1	114357526/1	Label			



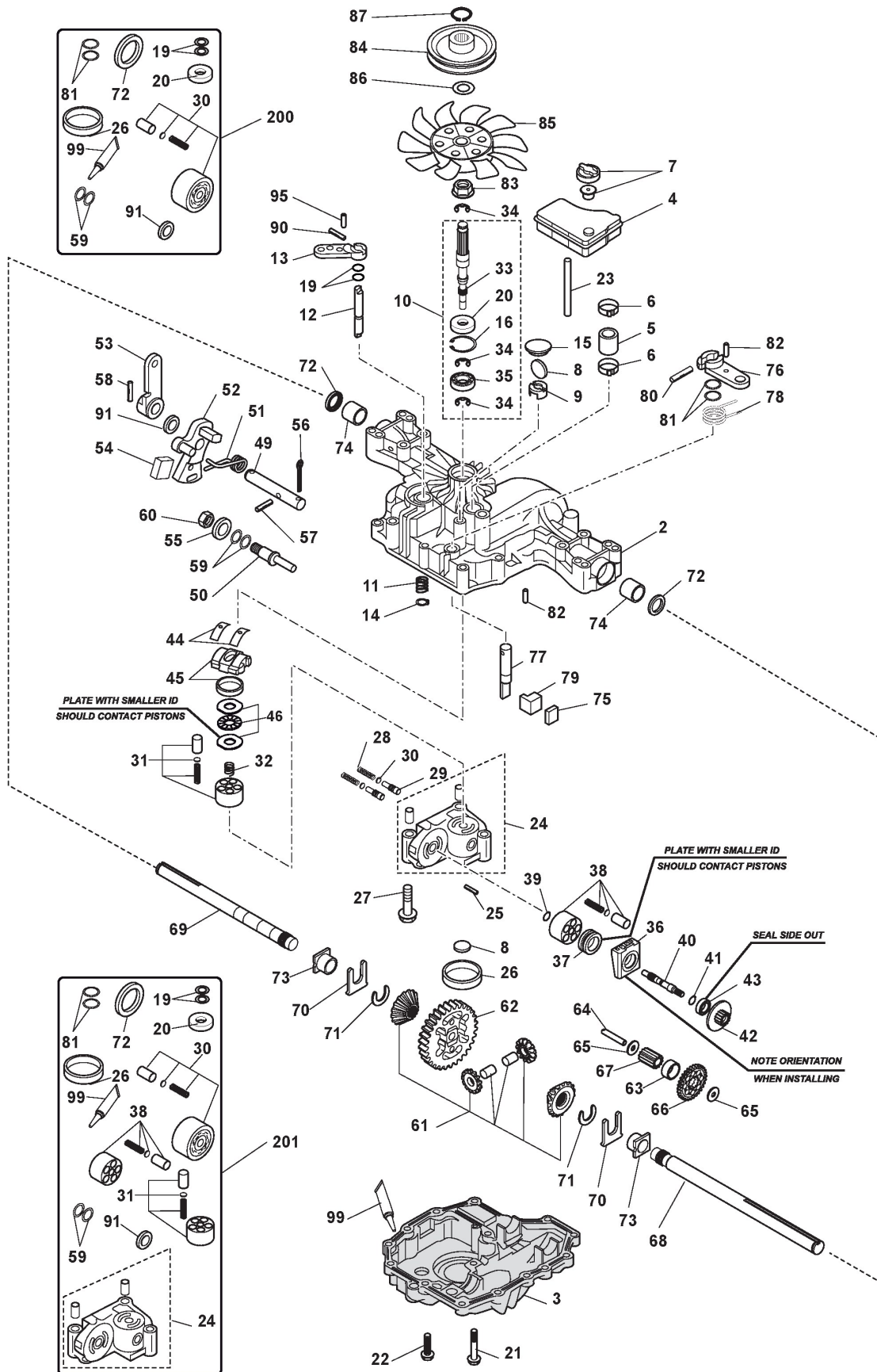
Seat & Steering Wheel

Zn. c.	Množ.	Kód výrobku	Popis	Poznámky	From	Až do
1	1	125961217/1	Coated Steering Wheel Black Tc			
2	1	325580505/0	Cap	Black		
3	1	112620250/0	Pin			
5	1	125722451/2	Seat			
6	4	9959-0820-16	Screw			



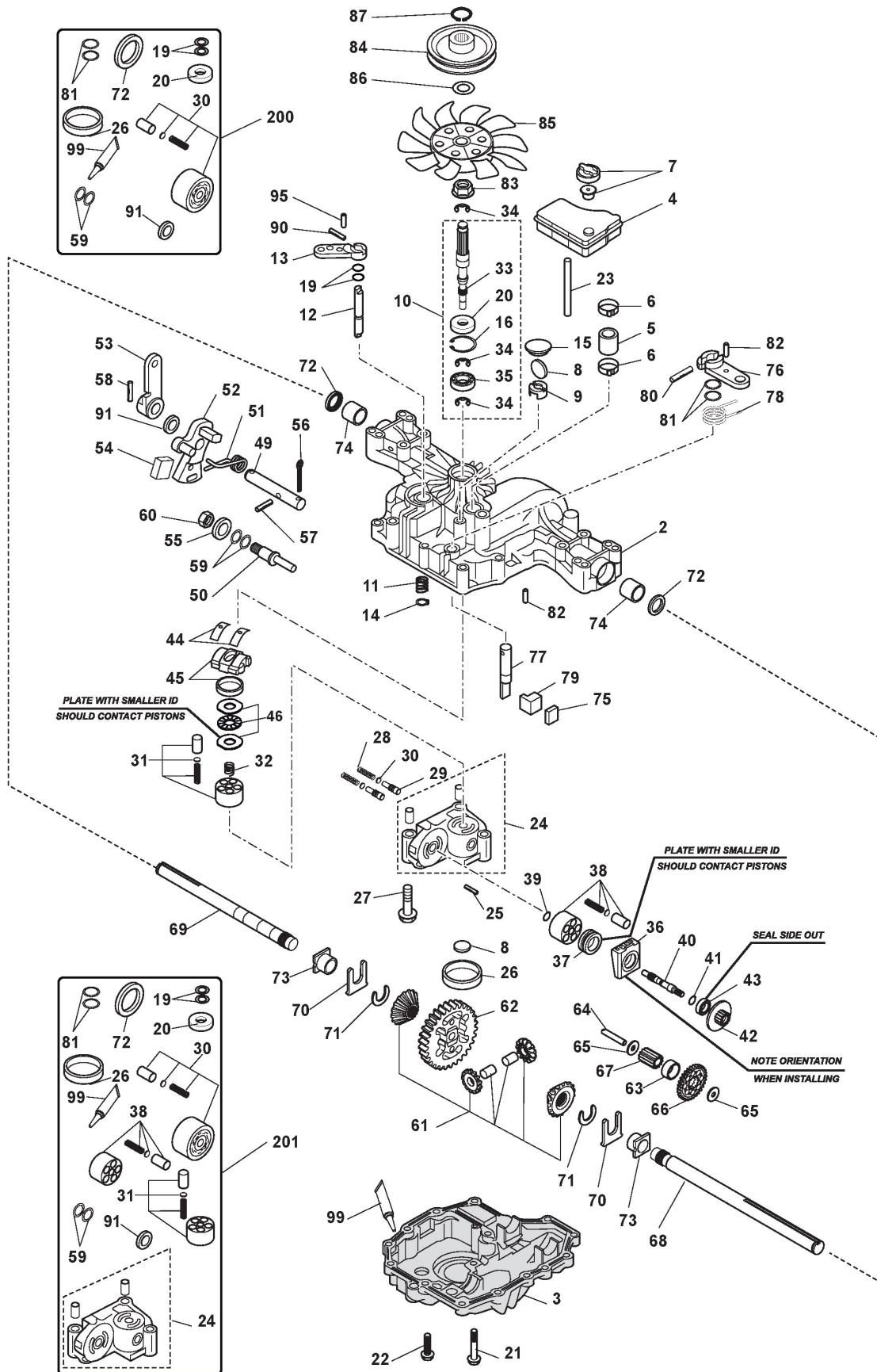
Wheels

Zn. c.	Množ.	Kód výrobku	Popis	Poznámky	From	Až do
2	2	182000590/1	Rimm			
3	4	125122200/2	Bearing			
4	2	382680049/0	Front Wheel Assy 15"			
5	2	125950000/0	Valve			
6	2	125670005/2	Washer			
7	2	112001000/0	Benzing Ring			
8	2	122110230/0	Hub Cover	Standard Black Hubcap		
12	2	182000592/0	Rear Wheel Rimm			
13	2	382680057/0	Compl.Wheel Ass.Y 18inchMalz+Wanda P512 4PI			
14	2	125950000/0	Valve			
15	2	125670005/2	Washer			
16	2	112001010/0	Benzing Ring			
17	2	122110230/0	Hub Cover	Standard Black Hubcap		



Kanzaki Transaxle K46F (S/N 0110385-9999999)

Zn. c.	Množ.	Kód výrobku	Popis	Poznámky	From	Až do
1	1	118400950/1	Rear Axle Tuff Torq K46F	K46F		
2	1	1139-1470-01	Housing-Upper	s/n 4181088-9999999 _ K46F		
3	1	1139-1297-01	Lower Housing	K46F		
4	1	1139-1476-01	Reservoir Tank	K46F		
5	1	1139-1363-01	Tube	K46F		
6	2	1139-1336-01	Cobra Clip	K46F		
7	1	1139-1100-01	Vent Valve Assy	K46F		
8	2	1139-1150-01	Magnet	K46F		
9	1	1139-1341-01	Magnet Holder	K46F		
10	1	1139-1511-01	Pump Shaft Kit	K46F		
11	1	1139-1347-01	Spring	K46F		
12	1	1139-1324-01	Shaft Bypass	K46F		
13	1	1139-1189-01	By-Pass Lever	K46F		
14	1	1139-1161-01	Ring	K46F		
15	1	1139-1275-01	Bore Plug	K46F		
16	1	1139-1104-01	Snap Ring	K46F		
19	2	1139-1117-01	O-Ring	K46F		
20	1	1139-1119-01	Seal 15*35*7	K46F		
21	2	1139-1295-01	Screw	K46F		
22	14	1139-0244-01	Screw	K46F		
23	1	1139-1305-01	Tank Support	K46F		
24	1	1139-1364-01	Center Case	K46F		
24	1	1139-1592-01	Center Case Kit	K46F		
25	1	1139-1158-01	Pin	K46F		
26	1	1139-1405-01	Filter	K46F		
27	3	1139-1294-01	Bolt	K46F		
28	2	1139-1242-01	Ids Valve	K46F		
29	2	1139-1243-01	Spring	K46F		
30	2	1139-1307-01	Filter	K46F		
31	1	1139-1356-01	Cylinder Block Kit	K46F		
32	1	1139-1245-01	Pump Spring	K46F		
33	1	1139-1246-01	Pump Shaft	K46F		
34	3	1139-1146-01	Ring	K46F		
35	1	1139-1110-01	Ball Bearing	K46F		
36	1	1139-1157-01	Housing	K46F		
37	1	1139-1054-01	Bearing	K46F		
37	1	1139-1501-01	Bearing	K46F		
38	1	1139-1139-01	Cylinder Block Assy	K46F		
39	1	1139-1160-01	Washer	K46F		
40	1	1139-1353-01	Motor Shaft	K46F		
41	1	1139-1021-01	Snap Ring	K46F		
42	1	1139-1311-01	Motor Gear	K46F		
42	1	1139-1590-01	Motor Gear	K46F		
43	1	1139-1453-01	Bearing	K46F		
44	2	1139-1066-01	Use 1139-1141-01	K46F		
45	1	1139-1475-01	Swash Plate	K46F		
46	1	1139-1362-01	Bearing	K46F		
49	1	1139-1354-01	Control Shaft	K46F		



Kanzaki Transaxle K46F (S/N 0110385-9999999)

Zn. c.	Množ.	Kód výrobku	Popis	Poznámky	From	Až do
50	1	1139-1316-01	Fulcrum Eccentricity	K46F		
51	1	1139-1312-01	Torsion Spring	K46F		
52	1	1139-1409-01	Lever	K46F		
53	1	1139-1313-01	Control Lever	K46F		
54	1	1139-1408-01	Jerky Plate	K46F		
55	1	1139-1102-01	Washer	K46F		
56	1	1139-1355-01	Cotter Pin	K46F		
57	1	1139-1329-01	Pin	K46F		
58	1	1139-1285-01	Pin	K46F		
59	2	1139-1115-01	O-Ring	K46F		
60	1	1139-1127-01	Nut	K46F		
61	1	1139-1404-01	Diff.Gear Kit	K46F		
62	1	1139-1258-01	Final Gear	K46F		
63	1	1139-1255-01	Collar	K46F		
64	1	1139-1256-01	Reduction Shaft	K46F		
65	2	1139-1398-01	Washer	K46F		
66	1	1139-1317-01	Reduction Gear	K46F		
66	1	1139-1591-01	Reduction Gear	K46F		
67	1	1139-1361-01	Final Pinion Gear	K46F		
68	1	1139-1322-01	Axle Shaft-Lh	K46F		
69	1	1139-1323-01	Axle Shaft-Rh	K46F		
70	2	1139-1078-01	Thrust Washer	K46F		
71	2	1139-1163-01	Ring	K46F		
72	2	1139-1080-01	Seal 19*32*8	K46F		
73	2	1139-1164-01	Bushing	K46F		
74	2	1139-1414-01	Bushing	K46F		
75	1	1139-1260-01	Brake Shoe	K46F		
76	1	1139-1261-01	Brake Arm	K46F		
77	1	1139-1320-01	Brake Shaft	K46F		
78	1	1139-1263-01	Return Spring	K46F		
79	1	1139-1264-01	Brake Actuator	K46F		
80	1	1139-1282-01	Pin	K46F		
81	2	1139-1114-01	O-Ring	K46F		
82	2	1139-1281-01	Pin	K46F		
83	1	1139-1248-01	Spline Collar	K46F		
84	1	1139-1478-01	Pulley	K46F		
85	1	1134-4190-01	Fan	K46F		
86	1	1139-1266-01	Washer	K46F		
87	1	1139-1149-01	Snap Ring	K46F		
90	1	1139-1280-01	Pin	K46F		
91	1	1139-1303-01	Seal Ring	K46F		
95	1	1139-1279-01	Pin	K46F		
99	1	1139-1443-01	Sealant (Tube)	K46F		
200	1	1139-1403-01	Seal Kit	Märkta S/marked S _ K46F		
201	1	1139-1593-01	Repair Kit	K46F		