

PPT-2620ES

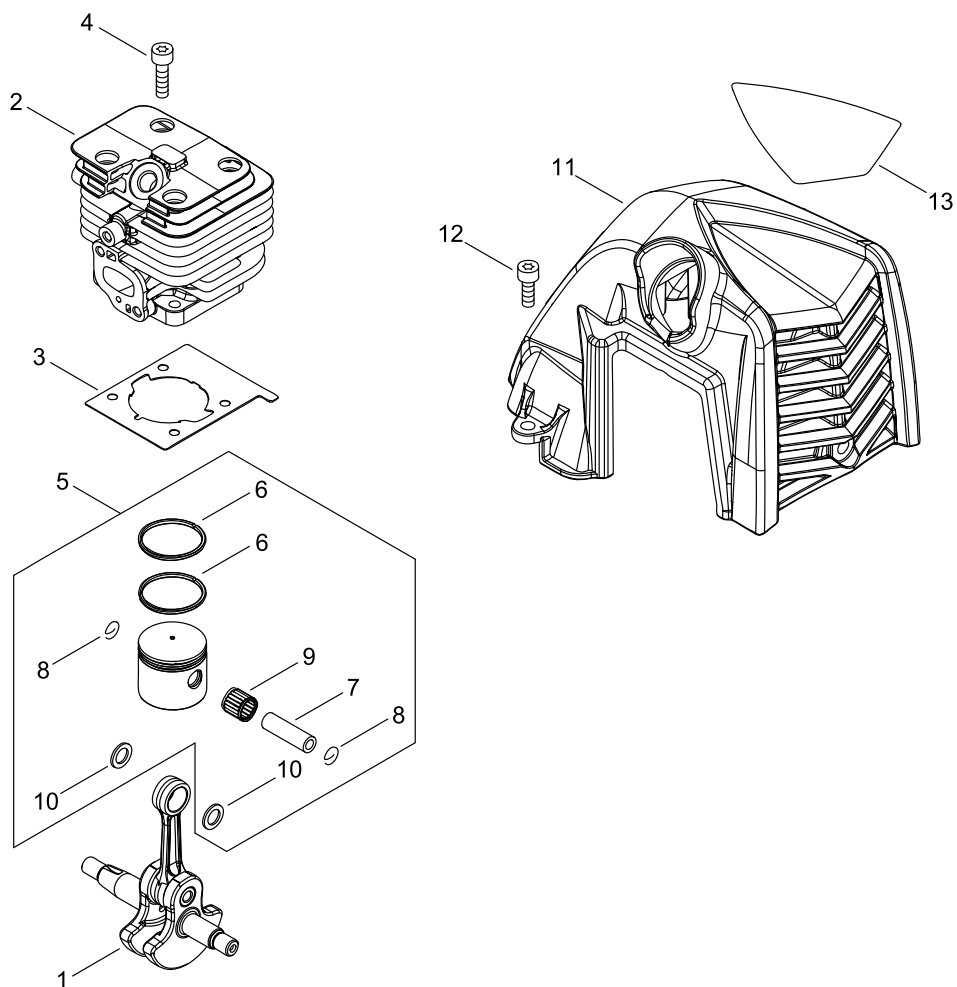
Serial number: 38000001-38999999

Last update date: 01/28/2020

TABLE OF CONTENTS

CYLINDER, PISTON, CRANKSHAFT.....	1
CRANKCASE	3
MAGNETO.....	5
CLUTCH.....	7
AIR CLEANER, CARBURETOR.....	9
CARBURETOR.....	11
FUEL TANK.....	13
MUFFLER	15
RECOIL STARTER, PULLY	17
GEAR CASE.....	19
MAIN PIPE	23
THROTTLE	25
ACCESSORIES	27
OILER.....	29

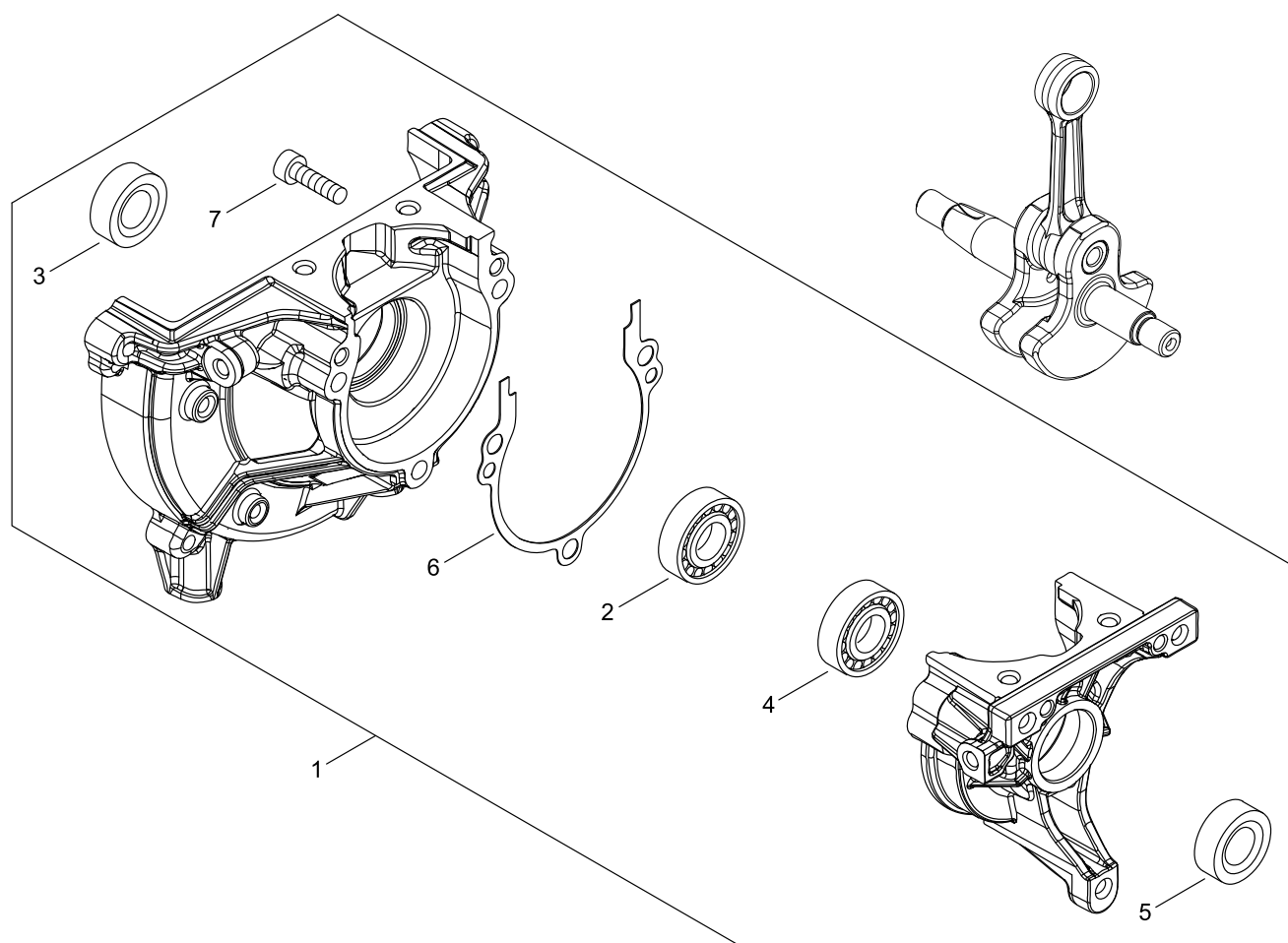
CYLINDER, PISTON, CRANKSHAFT



CYLINDER, PISTON, CRANKSHAFT

Key No.	LV (+)	Part No	Description	Qty	Standard
1		A011-001460	CRANKSHAFT,ASY	1	
2		A130-002330	CYLINDER	1	
3		V100-000840	GASKET,CYL	1	
4		V805-000210	BOLT, TORX 5	4	TB-5*20 12.9
5		P021-050840	PISTON KIT	1	
6	+	A101-000010	RING,PISTON	2	
7	+	100013-35430	PIN, PISTON	1	6*9*27.8
8	+	100015-03931	CIRCLIP, PISTON PIN	2	
9	+	V554-000020	BEARING,NEEDLE 9	1	KTV-91212EG14-B2
10	+	100014-53630	SPACER, PISTON PIN	2	
11		A160-003280	COVER,CYLINDER	1	
12		V835-000010	BOLT, TORX 5	2	TB-5*12 10.9
13		X503-015130	LABEL,MODEL	1	PPT-2620ES

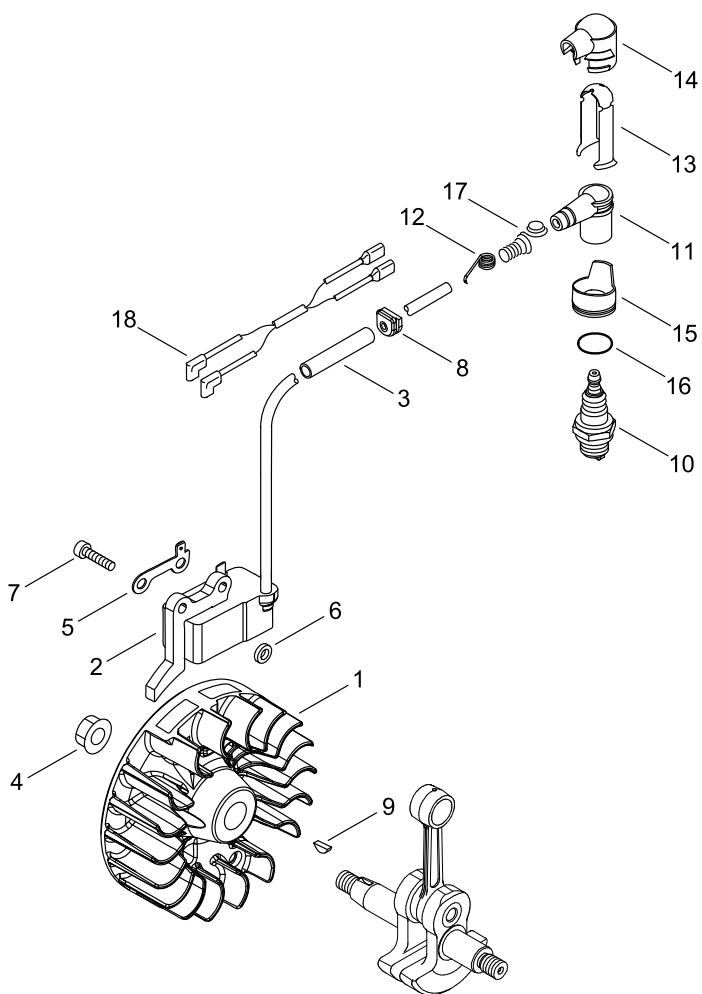
CRANKCASE



CRANKCASE

Key No.	LV (+)	Part No	Description	Qty	Standard
1		P021-050850	CRANKCASE KIT	1	
2	+	900800-36001	BEARING, BALL	1	6001/C3
3	+	100212-42031	OILSEAL	1	ISCD 12*22*4.5
4	+	900810-36000	BEARING, BALL	1	6000
5	+	V503-000040	SEAL,OIL 10	1	ISCD 10*20*5F
6	+	V102-000300	GASKET,CRANKCASE	1	
7	+	V805-000220	BOLT, TORX 5	3	TB-5*25 12.9

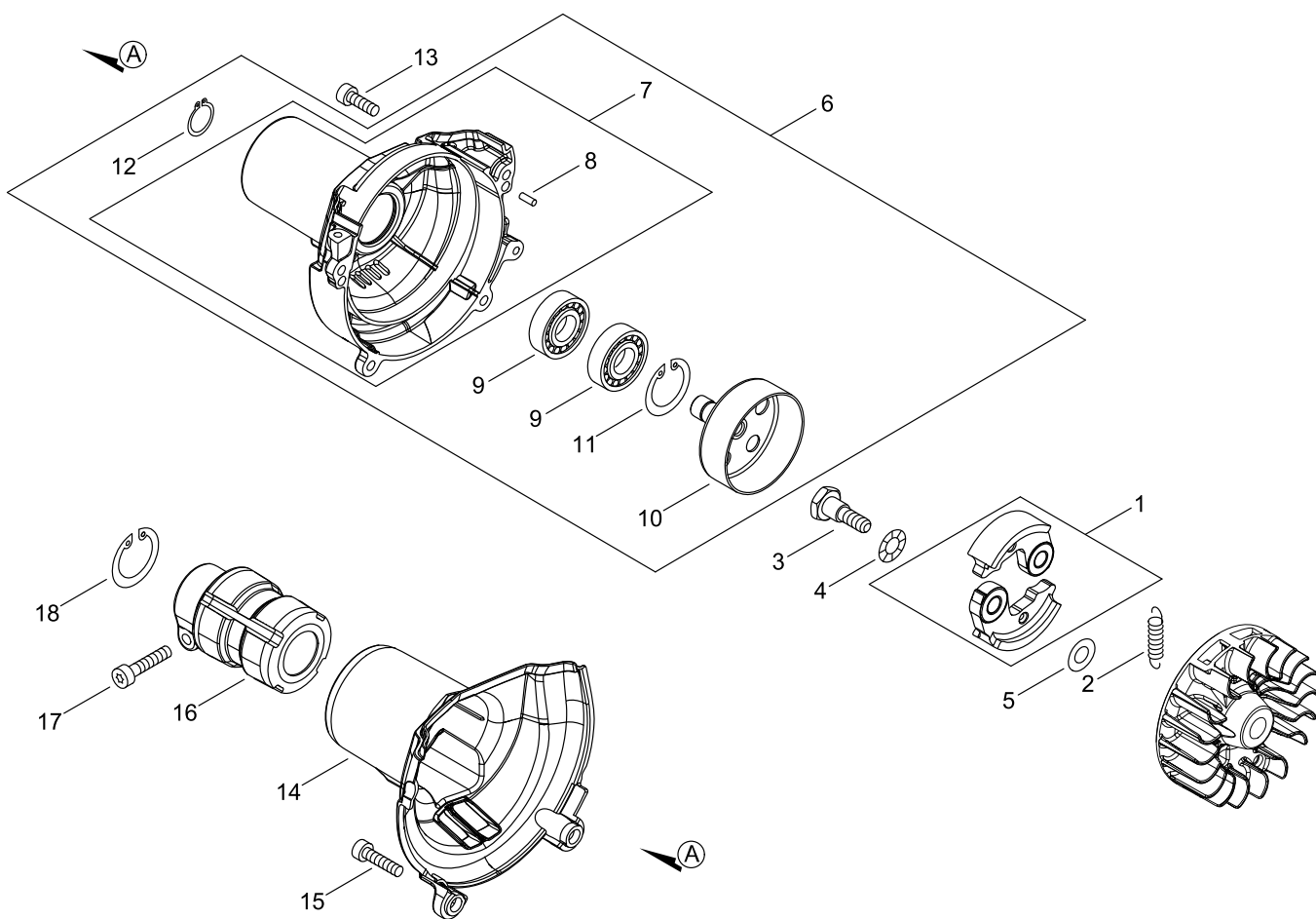
MAGNETO



MAGNETO

Key No.	LV (+)	Part No	Description	Qty	Standard
1		A409-001320	ROTOR, MAGNETO	1	
2		A411-001790	COIL, IGNITION	1	ID#A10073A
3		V475-007540	TUBE	1	
4		900515-00008	NUT, FLANGE 8	1	8
5		C152-001030	CONNECTOR	1	
6		V323-000070	WASHER,CIRCULAR 5	2	5.2*10*3
7		V805-000210	BOLT, TORX 5	2	TB-5*20 12.9
8		156110-04920	BUSHING	1	
9		100142-12330	KEY, WOODRUFF	1	
10		A425-000060	SPARKPLUG	1	CMR7H
11		A427-000090	PLUG CAP	1	
12		159011-03432	COIL, SPARK PLUG	1	
13		V151-000170	PLATE,CUP	1	
14		A429-000110	PLUG CAP COVER	1	
15		J473-000120	PIECE,COVER	1	
16		900720-00022	O-RING 22	1	P-22
17		A430-000010	WIRE,SHIELD	1	
18		V485-002880	LEAD	1	

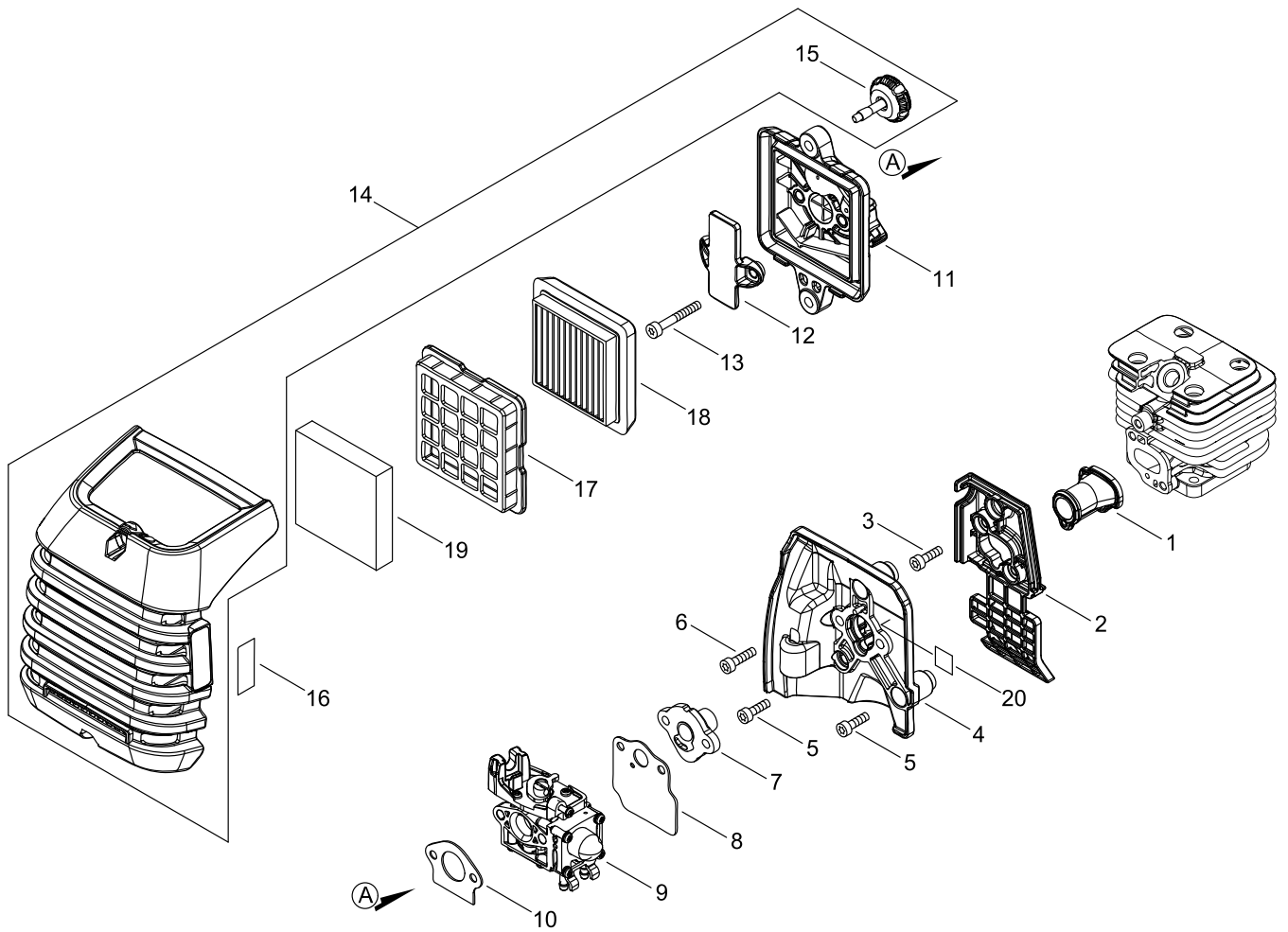
CLUTCH



CLUTCH

Key No.	LV (+)	Part No	Description	Qty	Standard
1		P100-002270	ARM,CLUTCH SET	1	
2		V451-001390	SPRING,TENSION	1	172N/34MM
3		175046-56030	SHAFT, CLUTCH	2	
4		175049-56030	WASHER	2	8.5*16*0.5
5		175048-05530	WASHER (I)	2	6.2*19*1.0
6		P100-006230	FAN COVER ASY	1	
7	+	A172-003281	COVER,FAN	1	
8	++	900330-40080	PIN F 4*8	2	4*8
9	+	94009-06902	BEARING, BALL	2	BB6902LLB/2AS
10	+	A556-001780	DRUM, CLUTCH	1	Φ 58/□ 7.85
11	+	900702-00028	CIRCLIP 28	1	CR-28
12	+	900701-00015	CIRCLIP 15	1	CS-15
13		V805-000150	BOLT, TORX 5	2	TB-5*16 10.9
14		A413-000080	BOOT	1	
15		V805-000160	BOLT, TORX 5	2	TB-5*20 10.9
16		A575-000690	FIXTURE, MAIN PIPE	1	
17		V805-000170	BOLT, TORX 5	1	TB-5*25 10.9
18		900702-00042	CIRCLIP 42	1	CR-42

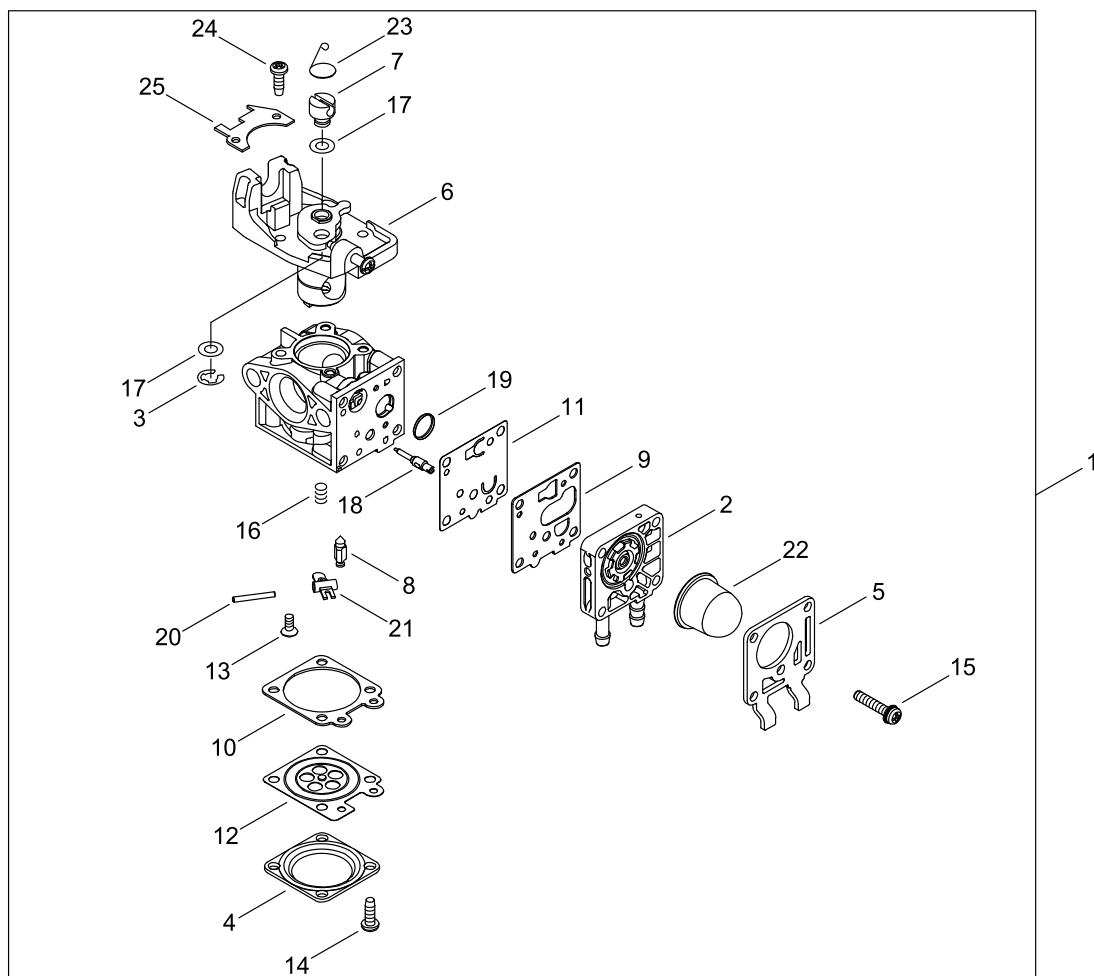
AIR CLEANER, CARBURETOR



AIR CLEANER, CARBURETOR

Key No.	LV (+)	Part No	Description	Qty	Standard
1		A202-000300	BELLOWS, INTAKE	1	
2		A206-000040	HOLDER, BELLOWS	1	
3		V253-001020	SCREW,5	2	TB2411 10MM
4		A209-001010	PLATE, INSULATOR	1	
5		V805-000150	BOLT, TORX 5	2	TB-5*16 10.9
6		V855-000000	BOLT, TORX 5	1	TB-5*20
7		A209-001000	PLATE, INSULATOR	1	
8		V103-001890	GASKET,INTAKE	1	
9		A021-004600	CARBURETOR, DIAPHRAGM	1	WYG-9
10		V103-001900	GASKET,INTAKE	1	
11		P021-050880	CLEANER CASE ASY	1	
12		A244-000370	PLATE,PREVENT	1	
13		V805-000340	BOLT, TORX 5	2	TB-5*60 10.9
14		P100-003600	LID,CLEANER ASY	1	
15	+	V299-000640	KNOB,FASTENER	2	
16		X506-000170	LABEL,CHOKE	1	SYMBOLS + T
17		A227-000050	PLATE, ELEMENT	1	
18		A226-002030	ELEMENT, AIR FILTER	1	
19		A226-002040	ELEMENT, AIR FILTER	1	HP-70
20		X524-001901	LABEL	1	

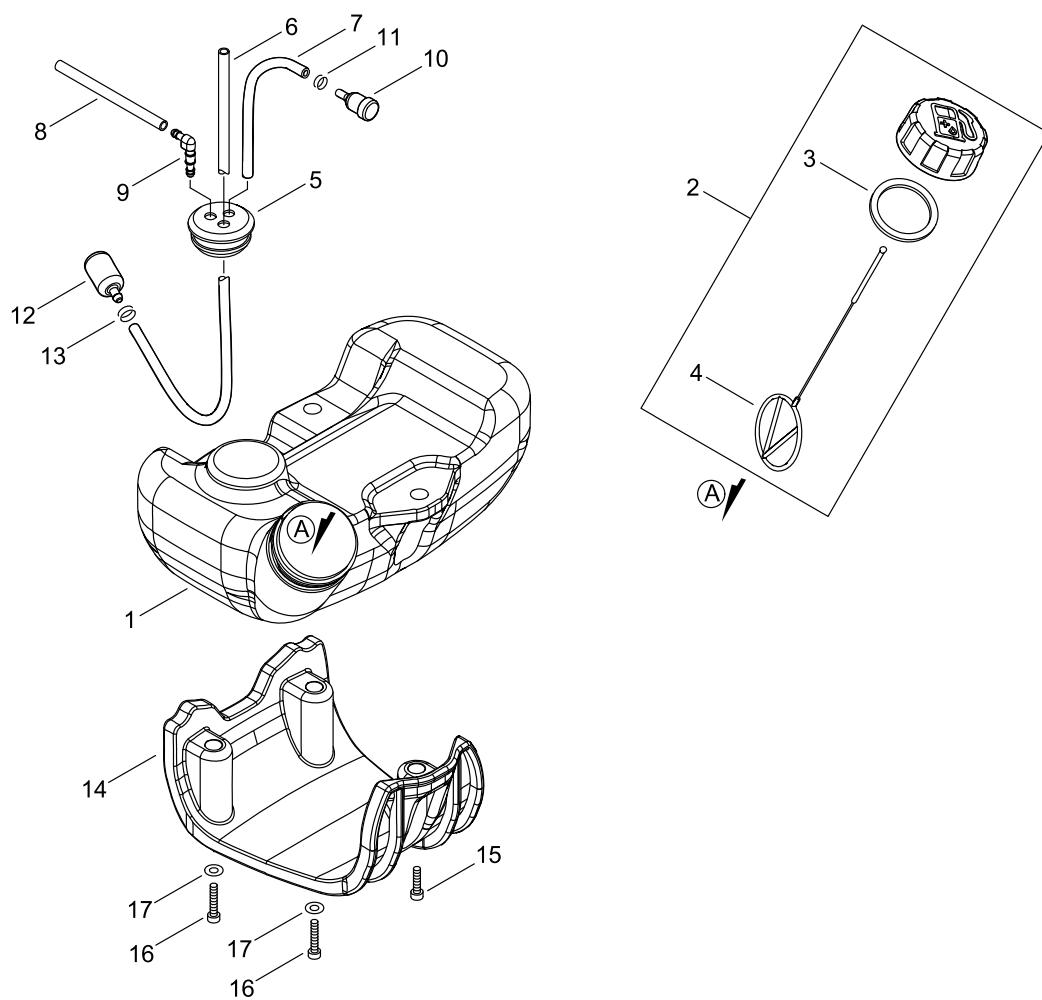
CARBURETOR



CARBURETOR

Key No.	LV (+)	Part No	Description	Qty	Standard
1		A021-004600	CARBURETOR, DIAPHRAGM	1	WYG-9
2	+	P003-006260	BODY ASSEMBLY, PUMP	1	
3	+	123173-07930	CLIP	1	
4	+	123142-03930	COVER, M. DIAPHRAGM	1	
5	+	P003-004510	COVER, FUEL PUMP	1	
6	+	P003-006140	VALVE, THROTTLE	1	
7	+	P003-005850	SWIVEL	1	
8	+	123137-19830	VALVE, INLET NEEDLE	1	
9	+	P003-004530	GASKET, FUEL PUMP	1	
10	+	123140-27230	GASKET, M. DIAPHRAGM	1	
11	+	P003-004540	DIAPHRAGM, FUEL PUMP	1	
12	+	P003-001670	DIAPHRAGM, METERING	1	
13	+	P003-005860	SCREW	1	
14	+	P003-004560	SCREW	4	
15	+	P003-004570	SCREW	4	
16	+	P003-005870	SPRING	1	
17	+	P003-001710	WASHER	2	
18	+	P003-005880	NEEDLE	1	
19	+	123126-10631	SCREEN, INLET	1	
20	+	123138-03930	PIN, METERING LEVER	1	
21	+	P003-001630	LEVER, METERING	1	
22	+	123181-09560	PUMP, PRIMER	1	
23	+	P003-005890	CLIP	1	
24	+	123114-40630	SCREW	3	
25	+	P003-005900	PLATE	1	

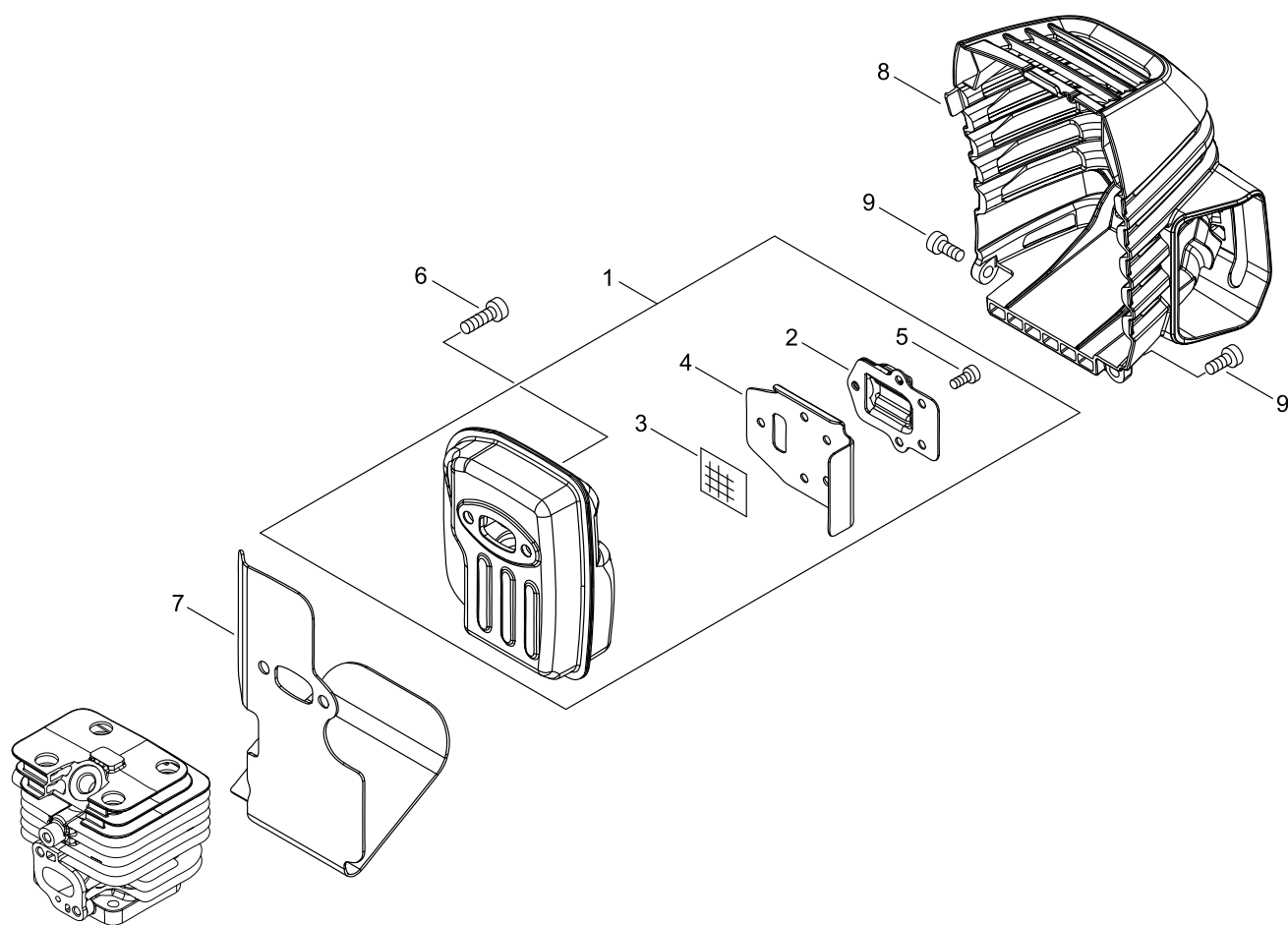
FUEL TANK



FUEL TANK

Key No.	LV (+)	Part No	Description	Qty	Standard
1		A350-002350	TANK, FUEL	1	
2		P021-012211	CAP,FUEL ASY	1	
3	+	V107-000190	GASKET,FUEL CAP	1	37.9*T2.2
4	+	A365-000060	CONNECTOR,CAP	1	L=123
5		132115-55931	GROMMET, FUEL	1	3 Φ5
6		V471-001231	PIPE	1	3*5*210
7		132010-06531	PIPE 3* 6* 85	1	3*6*85
8		132012-56030	PIPE	1	3*6*80 YL
9		V186-000500	JOINT,PIPE	1	
10		A356-000031	VALVE,CHECK	1	
11		V490-001230	CLIP	1	
12		A369-000470	STRAINER, FUEL	1	
13		V490-001240	CLIP	1	
14		A175-000040	STAND	1	
15		V805-000160	BOLT, TORX 5	1	TB-5*20 10.9
16		V805-000170	BOLT, TORX 5	2	TB-5*25 10.9
17		900602-00005	WASHER 5	2	5.3*10*1

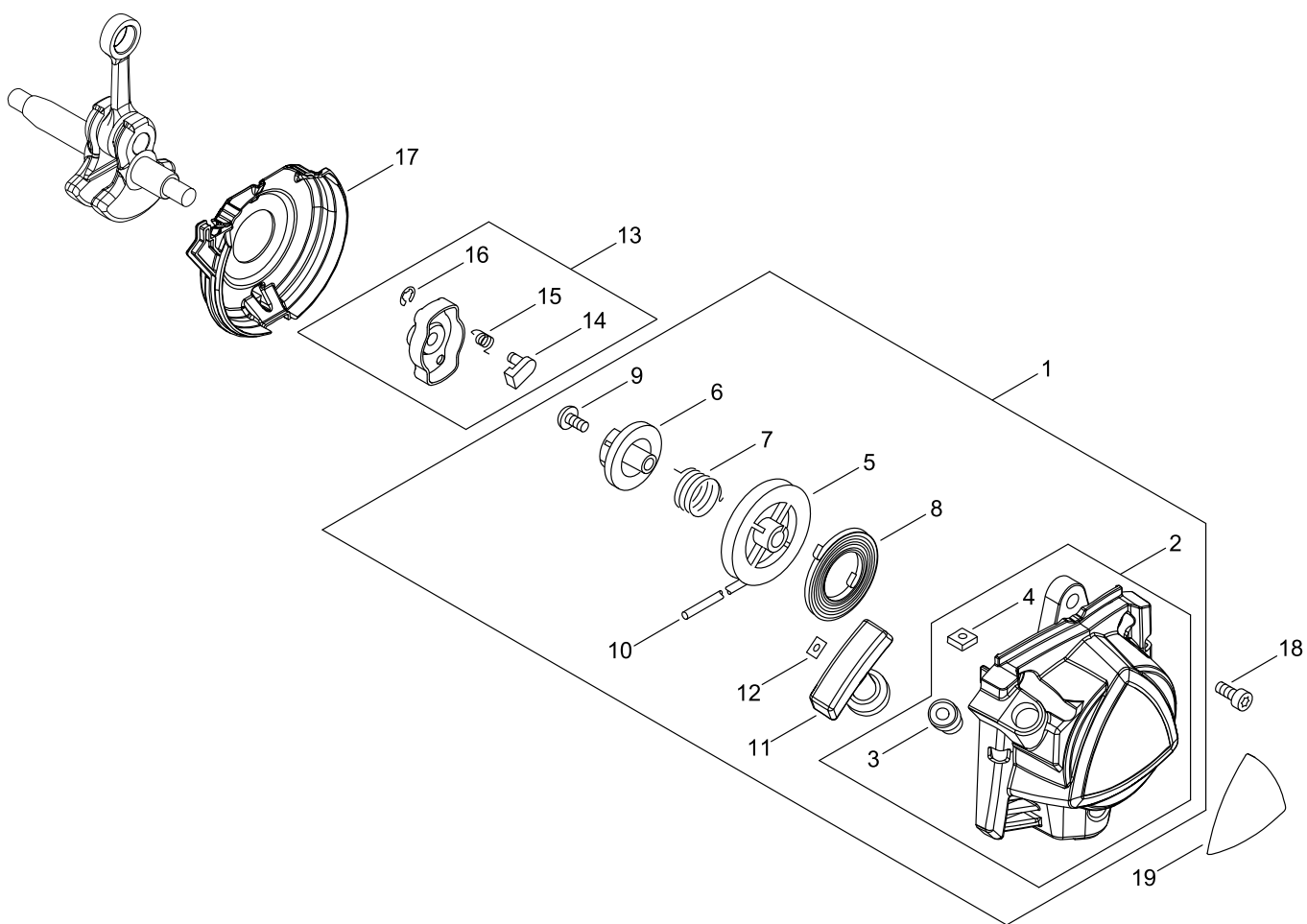
MUFFLER



MUFFLER

Key No.	LV (+)	Part No	Description	Qty	Standard
1		P100-004020	MUFFLER ASY	1	
2	+	A313-002060	GUIDE, EXHAUST	1	
3	+	145862-40630	SCREEN, MUFFLER	1	
4	+	V104-002300	GASKET,EXHAUST	1	
5	+	V804-000030	BOLT, TORX 4	5	TB-4*8 10.9
6		V805-000250	BOLT, TORX 5	2	TB-5*16 12.9
7		V104-002310	GASKET,EXHAUST	1	
8		A320-001200	COVER,MUFFLER	1	
9		V835-000010	BOLT, TORX 5	2	TB-5*12 10.9

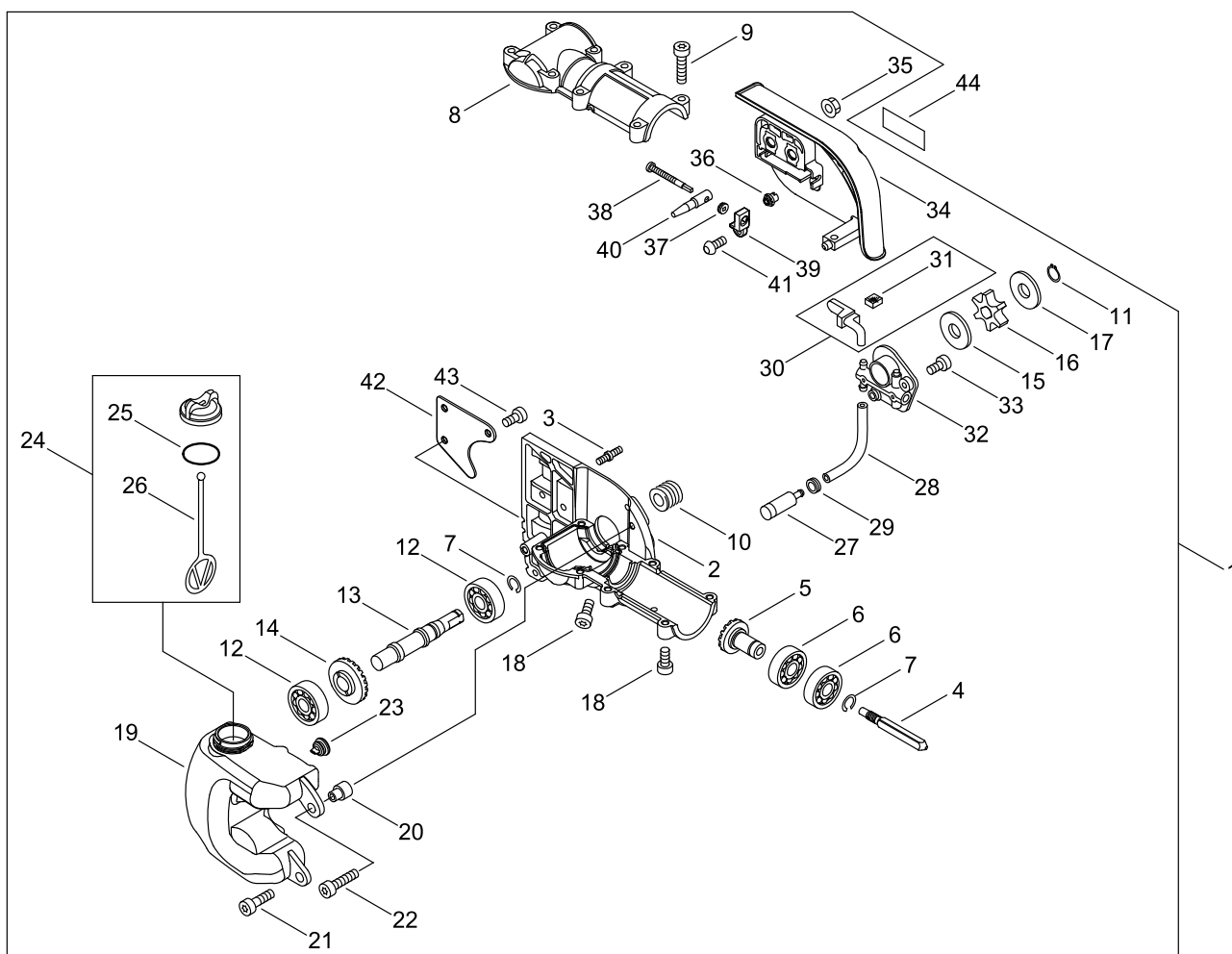
RECOIL STARTER, PULLY



RECOIL STARTER, PULLY

Key No.	LV (+)	Part No	Description	Qty	Standard
1		A051-003220	STARTER,RECOIL ASY	1	
2	+	P022-043670	STATER CASE	1	
3	++	P022-045770	GUIDE, ROPE	1	
4	++	P022-022010	NUT	2	
5	+	P022-033320	DRUM, STARTER	1	
6	+	P022-033310	PLATE, CAM	1	
7	+	P022-008270	SPRING,DAMPER	1	
8	+	177220-40630	SPRING, REWIND	1	
9	+	177236-61830	SCREW	1	
10	+	P022-022110	ROPE, STARTER	1	
11	+	177228-27030	GRIP, STARTER	1	
12	+	P022-037670	STOPPER, ROPE	1	
13		A052-000180	PULLEY,ASM STARTER	1	
14	+	P022-006850	PAWL, STARTER	2	
15	+	P022-006510	SPRING, RETURN	2	
16	+	P022-002100	E-RING	2	4
17		A127-000470	COVER,DUST	1	
18		V805-000140	BOLT, TORX 5	3	TB-5*12 10.9
19		X547-003460	LABEL,ECHO	1	ECHO+ PPT-2620ES

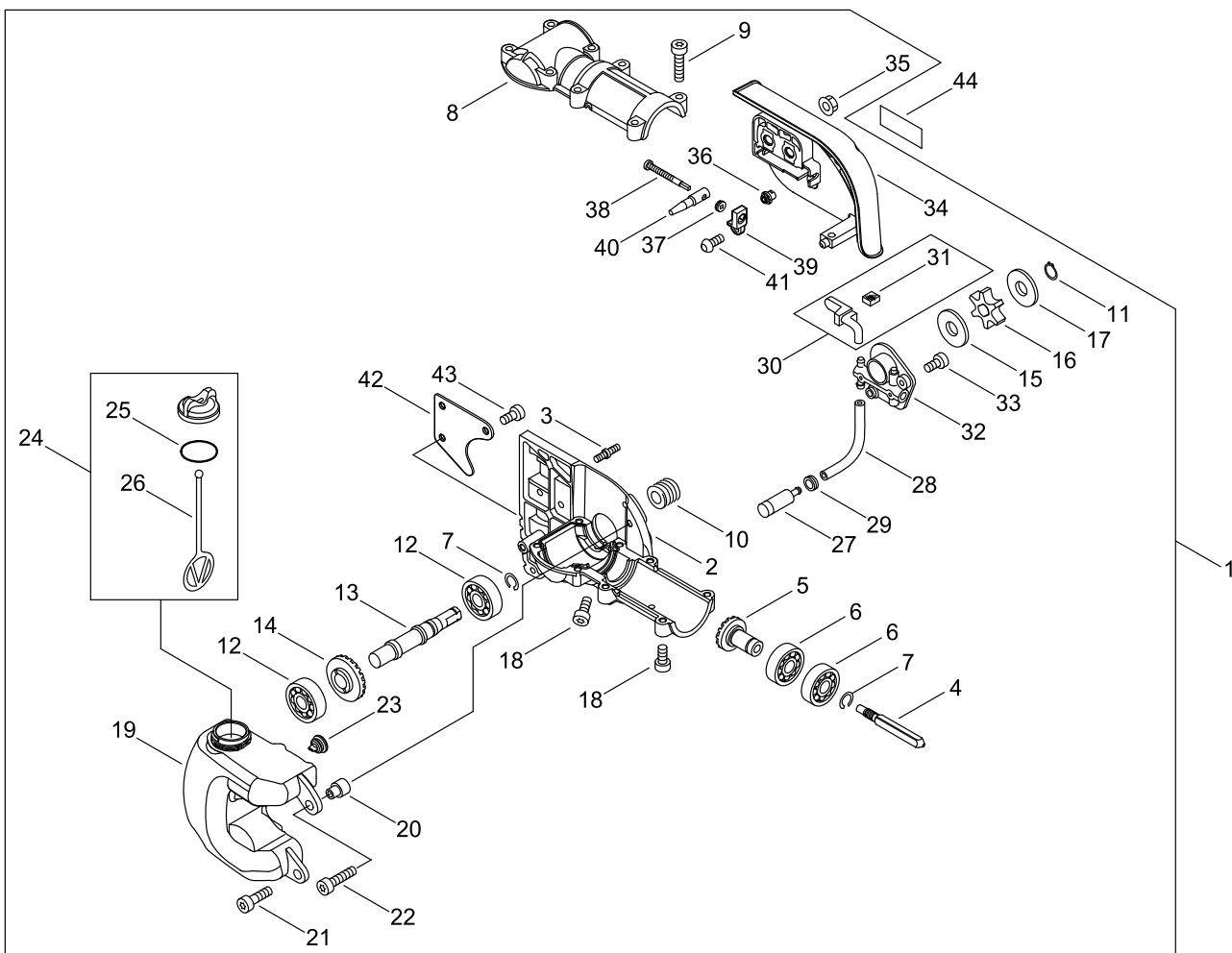
GEAR CASE



GEAR CASE

Key No.	LV (+)	Part No	Description	Qty	Standard
1		P100-007410	CASE ASY, GEAR	1	
2	+	C531-000430	CASE,GEAR	1	LOWER
3	+	V224-000040	BOLT,STUD 6	2	15MM*19MM M6
4	+	610025-22361	CONNECTOR, SHAFT	1	
5	+	V651-001180	GEAR,BEVEL	1	EC-B0306-00
6	+	94052-06001	BEARING BALL	2	PEER LLU,DDU 2RS
7	+	900706-00012	CIRCLIP 12	2	WR-12
8	+	C531-000030	CASE,GEAR	1	
9	+	V805-000170	BOLT, TORX 5	8	TB-5*25 10.9
10	+	437063-38330	GEAR, WORM	1	
11	+	V583-000090	RING	1	EXTERNAL RING
12	+	94052-06001	BEARING BALL	2	PEER LLU,DDU 2RS
13	+	C534-000430	SHAFT, GEAR	1	
14	+	V651-001190	GEAR,BEVEL	1	EC-B0206-00
15	+	175014-39131	WASHER, CLUTCH	1	10.2*24.5*1.2
16	+	C580-000070	SPROCKET,DRIVE	1	
17	+	V307-000160	WASHER,CIRCULAR 10	1	10.2*29.5*T=1.2
18	+	V805-000130	BOLT, TORX 5	2	TB-5*10 10.9
19	+	P100-006460	TANK, OIL	1	
20	+	V354-000010	COLLAR,6	1	
21	+	V805-000160	BOLT, TORX 5	2	TB-5*20 10.9
22	+	V805-000170	BOLT, TORX 5	1	TB-5*25 10.9
23	+	131314-06320	VALVE, CHECK	1	
24	+	P021-005591	CAP ASY	1	
25	++	900720-00018	O-RING 18	1	P-18
26	++	A365-000050	CONNECTOR,CAP	1	
27	+	P100-001900	STRAINER, OIL	1	
28	+	130110-12331	PIPE 3* 6* 70	1	3*6*70
29	+	132115-01462	GROMMET	1	
30	+	P100-003331	PIPE OIL ASY	1	
31	++	437244-39130	PAD, FORM	1	
32	+	C022-000010	OILER,ASM AUTO	1	
33	+	V805-000130	BOLT, TORX 5	2	TB-5*10 10.9
34	+	C300-000920	GUARD, SPROCKET	1	COVER W/ SCREW
35	+	433019-03933	NUT, FLANGE 6	2	6
36	+	V651-000320	GEAR,BEVEL	1	14 TEETH 10MM LG
37	+	V651-000310	GEAR,BEVEL	1	14 TEETH 3.0 SQ.
38	+	V203-000041	BOLT,5	1	
39	+	V355-000140	COLLAR,8	1	
40	+	C309-000030	TENSIONER,CHAIN	1	
41	+	V252-000040	SCREW,4	1	4*8 PT SCREW
42	+	C649-000140	HOOK	1	BRANCH HOOK

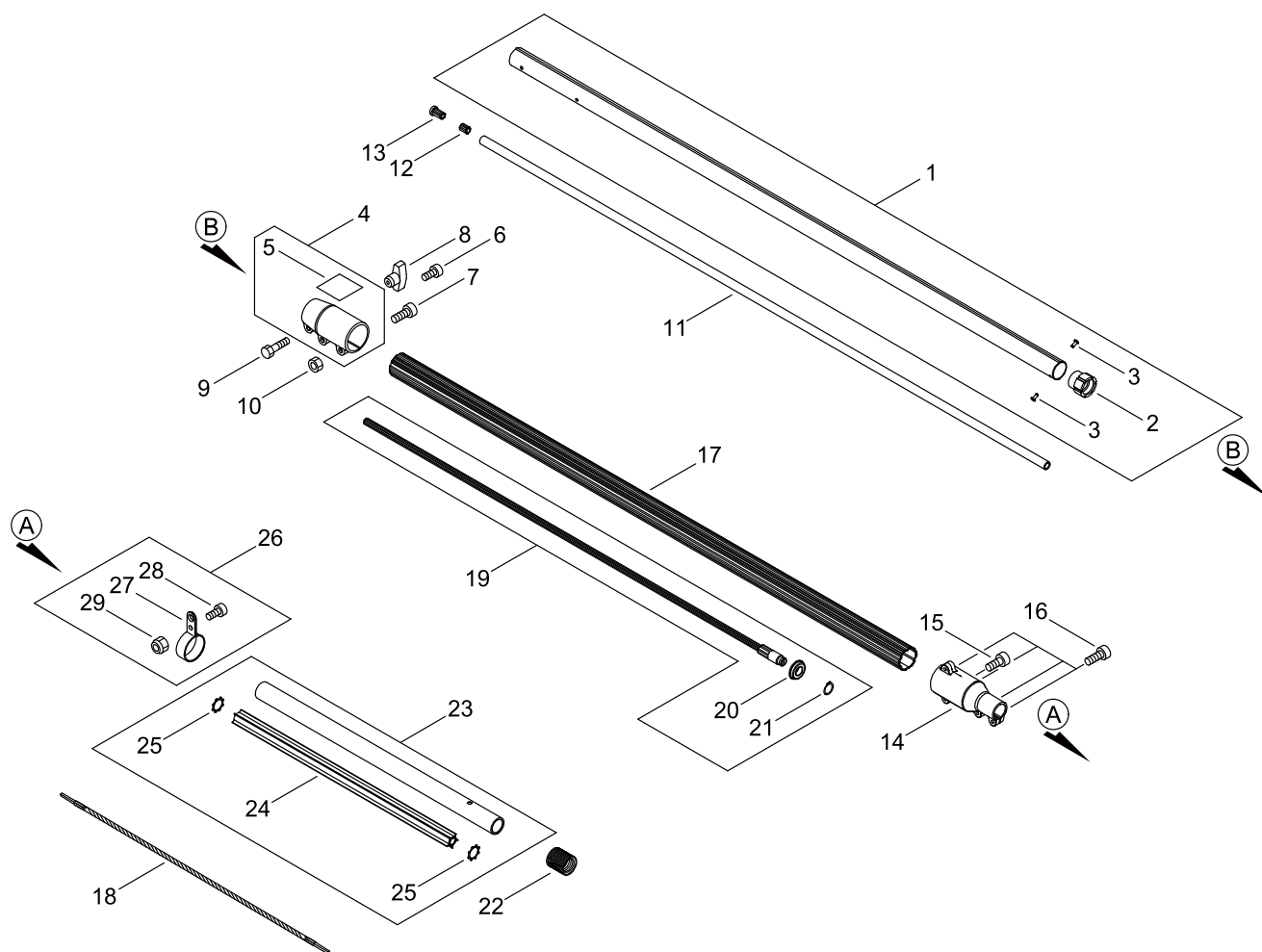
GEAR CASE



GEAR CASE

Key No.	LV (+)	Part No	Description	Qty	Standard
43	+	V805-000130	BOLT, TORX 5	3	TB-5*10 10.9
44		X502-000600	LABEL,ECHO	1	48MM*15MM + ECHO

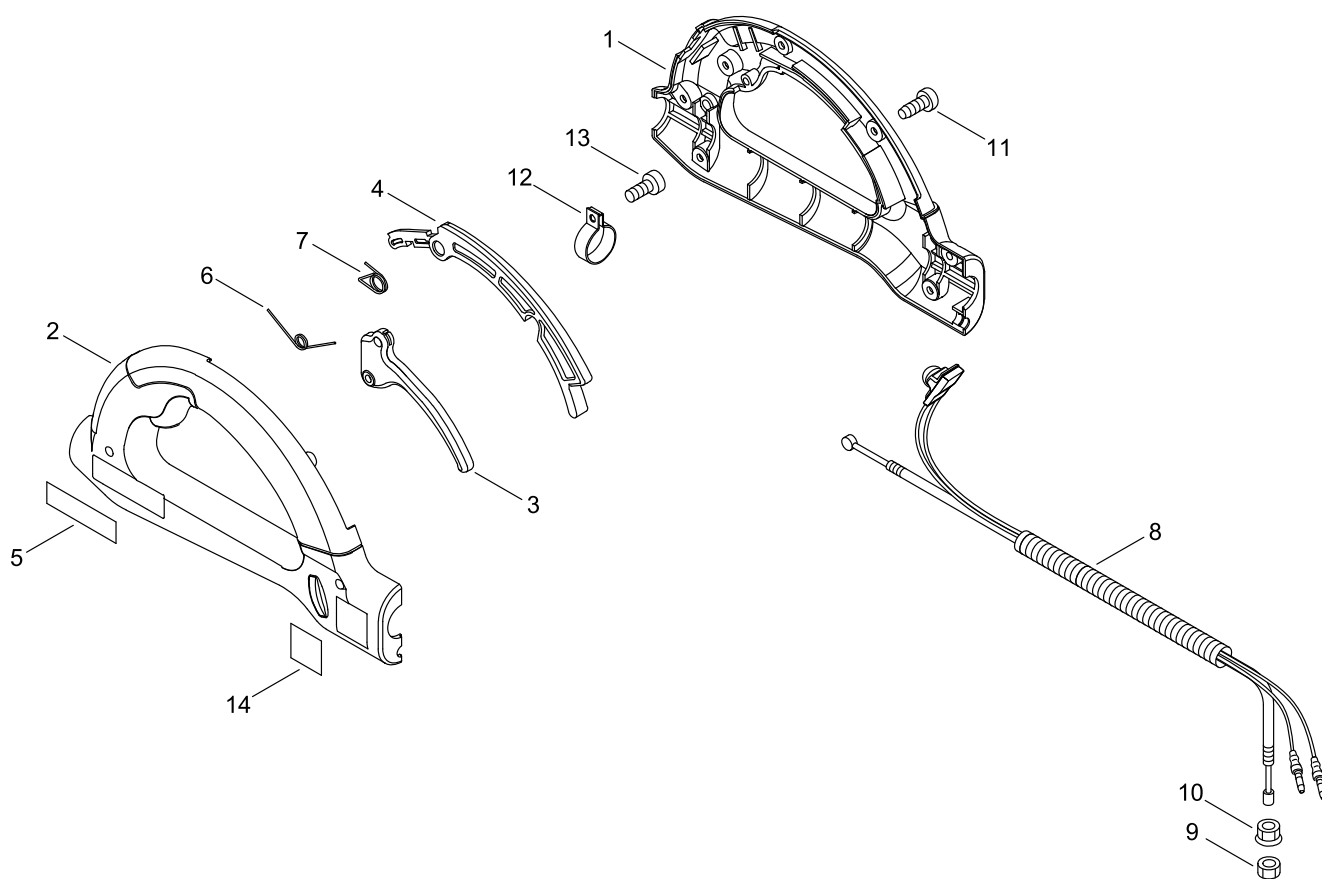
MAIN PIPE



MAIN PIPE

Key No.	LV (+)	Part No	Description	Qty	Standard
1		C050-003130	PIPE, MAIN	1	UPPER SHAFT ASM
2	+	C503-000080	HOLDER, BEARING	1	HOLDER ASSEMBLY
3	+	890011-22360	RIVET	2	
4		P100-006500	COUPLING,MAIN PIPE	1	
5	+	X505-002372	LABEL,CAUTION	1	15M-50FT PRUNER
6		V805-000140	BOLT, TORX 5	1	TB-5*12 10.9
7		V805-000160	BOLT, TORX 5	2	TB-5*20 10.9
8		V299-000660	KNOB,FASTENER	1	M6X1 WING ASS"Y
9		900100-06025	BOLT 6*25	1	6*25
10		900500-00005	NUT 5	2	5
11		C504-000360	SHAFT, DRIVE	1	OUTER DRIVESHAFT
12		C509-000090	SOCKET,SHAFT	1	DRIVE SIDE
13		C509-000080	SOCKET, SHAFT	1	12.2*16.5*25.4
14		C510-000320	COUPLING, MAIN PIPE	1	MACHINING
15		V805-000150	BOLT, TORX 5	1	TB-5*16 10.9
16		V805-000160	BOLT, TORX 5	4	TB-5*20 10.9
17		C500-000271	PIPE, MAIN	1	
18		C506-000520	SHAFT, FLEXIBLE	1	NO CAPS
19		C504-001320	SHAFT, DRIVE	1	3/8" SHAFT ASM
20	+	94052-36002	BEARING, BALL	1	PEER LLU,DDU
21	+	100229-22460	RING	1	
22		V475-004000	TUBE	1	25MM*32MM*35MM
23		C500-000830	PIPE, MAIN	1	450MM MACHINED
24	+	C507-000180	LINER, FLEXIBLE	1	.435 I.D.
25	+	V583-000110	RING	2	.625ID * .875OD
26		P021-049240	HANGER ASY	1	
27	+	300610-22061	BRACKET, HARNESS	1	24.69/24.84 I.D.
28	+	V805-000130	BOLT, TORX 5	1	TB-5*10 10.9
29	+	V263-000080	NUT,5	1	M5*0.8 LOCK NUT

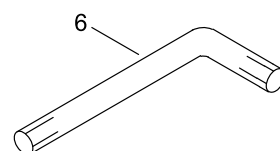
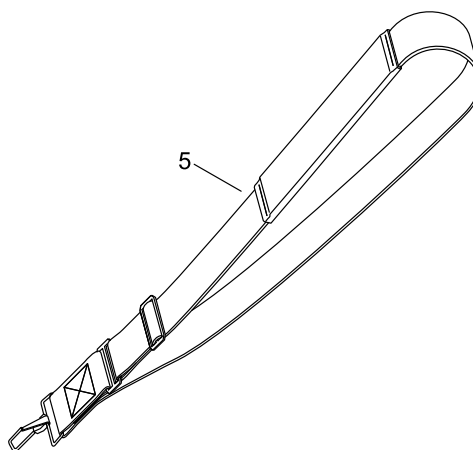
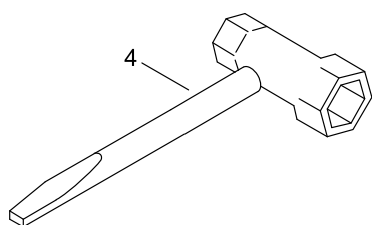
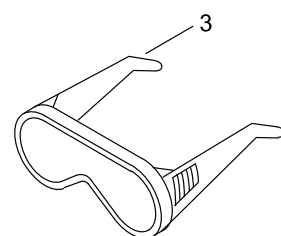
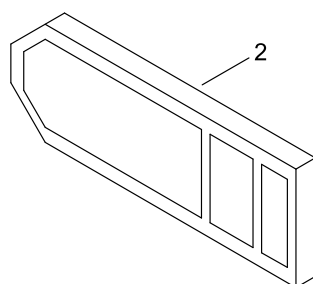
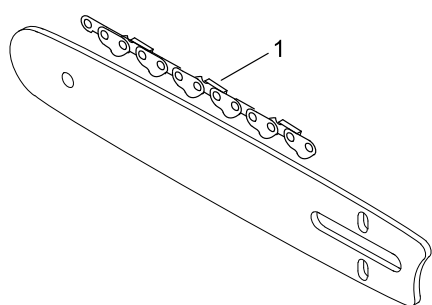
THROTTLE



THROTTLE

Key No.	LV (+)	Part No	Description	Qty	Standard
1		C041-000001	HANDLE,ASM REAR	1	OVERMOLD - RIGHT
2		C041-000011	HANDLE,ASM REAR	1	OVERMOLD - LEFT
3		C450-000260	CONTROL, THROTTLE	1	PPT HANDLE
4		C460-000100	LOCKOUT, THROTTLE	1	PPT HANDLE
5		X502-000610	LABEL,ECHO	2	62MM*16MM + ECHO
6		V452-000330	SPRING,TORSION	1	30MM*8 DIA.*30MM
7		V452-000340	SPRING,TORSION	1	10.5MM I.D.
8		P021-052190	CABLE ASY, CONTROL	1	
9		900502-00006	NUT 6 (3N)	1	3N6
10		900518-00006	NUT, FLANGE	1	6
11		V805-000000	BOLT, TORX 5	7	TT-5*16 DG 10.9
12		V495-003020	BAND	2	
13		V805-000150	BOLT, TORX 5	2	TB-5*16 10.9
14		X505-002362	LABEL,CAUTION	1	4-ISO SYMBOLS

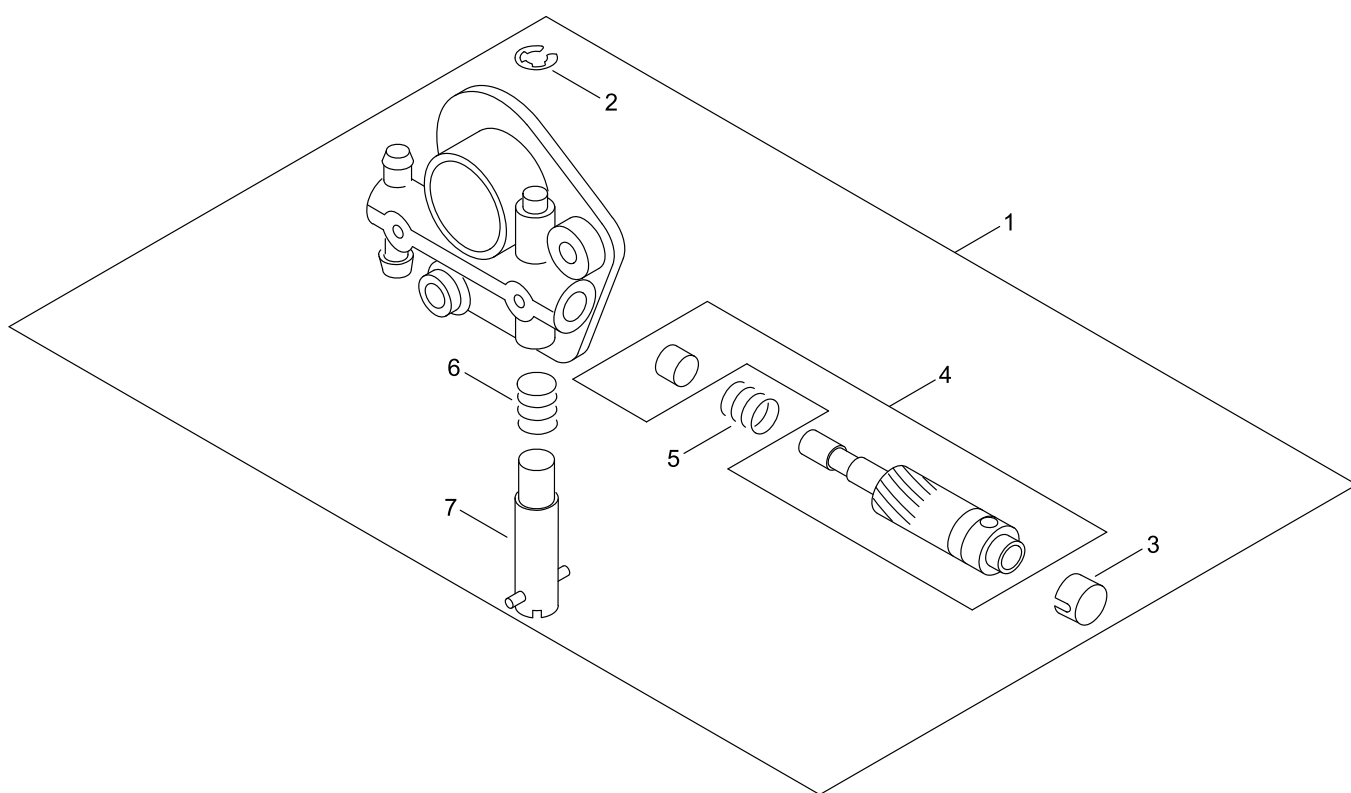
ACCESSORIES



ACCESSORIES

Key No.	LV (+)	Part No	Description	Qty	Standard
1		X222-000110	CHAIN,SAW	1	91VXL-44E
2		X490-000050	SCABBARD,CHAIN	1	12" BAR
3		X690-000080	GOGGLE	1	SI CHINA, Z87.1
4		X601-000030	TOOL,BOX SPANNER	1	10X16 L135 USM
5		301000-22060	HARNES ASY, SHOULDER	1	
6		X605-000060	TOOL,L WRENCH	1	80*30 T27 2- ENDS

OILER



OILER

Key No.	LV (+)	Part No	Description	Qty	Standard
1		C022-000010	OILER,ASM AUTO	1	
2	+	125327-15130	CLIP	1	
3	+	P022-010640	CAP, OIL PUMP	1	
4	+	P022-010650	PLUNGER	1	
5	+	P022-010660	SPRING	1	
6	+	P022-010670	SPRING	1	
7	+	P022-010680	SCREW ASS'Y, ADJUST	1	

NUMERICAL PARTS INDEX

Part No	Part description	Page	Part No	Part description	Page	Part No	Part description	Page
100013-35430	PIN, PISTON	2	900602-00005	WASHER 5	14	A430-000010	WIRE,SHIELD	6
100014-53630	SPACER, PISTON PIN	2	900701-00015	CIRCLIP 15	8	A556-001780	DRUM, CLUTCH	8
100015-03931	CIRCLIP, PISTON PIN	2	900702-00028	CIRCLIP 28	8	A575-000690	FIXTURE, MAIN PIPE	8
100142-12330	KEY, WOODRUFF	6	900702-00042	CIRCLIP 42	8	C022-000010	OILER,ASM AUTO	20
100212-42031	OILSEAL	4	900706-00012	CIRCLIP 12	20	C022-000010	OILER,ASM AUTO	30
100229-22460	RING	24	900720-00018	O-RING 18	20	C041-000001	HANDLE,ASM REAR	26
123114-40630	SCREW	12	900720-00022	O-RING 22	6	C041-000011	HANDLE,ASM REAR	26
123126-10631	SCREEN, INLET	12	900800-36001	BEARING, BALL	4	C050-003130	PIPE, MAIN	24
123137-19830	VALVE, INLET NEEDLE	12	900810-36000	BEARING, BALL	4	C152-001030	CONNECTOR	6
123138-03930	PIN, METERING LEVER	12	94009-06902	BEARING, BALL	8	C300-000920	GUARD, SPROCKET	20
123140-27230	GASKET,M. DIAPHRAGM	12	94052-06001	BEARING BALL	20	C309-000030	TENSIONER,CHAIN	20
123142-03930	COVER, M. DIAPHRAGM	12	94052-36002	BEARING, BALL	24	C450-000260	CONTROL, THROTTLE	26
123173-07930	CLIP	12	A011-001460	CRANKSHAFT,ASY	2	C460-000100	LOCKOUT, THROTTLE	26
123181-09560	PUMP, PRIMER	12	A021-004600	CARBURETOR, DIAPHRAGM	10	C500-000271	PIPE, MAIN	24
125327-15130	CLIP	30	A021-004600	CARBURETOR, DIAPHRAGM	12	C500-000830	PIPE, MAIN	24
130110-12331	PIPE 3* 6* 70	20	A051-003220	STARTER,RECOIL ASY	18	C503-000080	HOLDER, BEARING	24
131314-06320	VALVE, CHECK	20	A052-000180	PULLEY,ASM STARTER	18	C504-000360	SHAFT, DRIVE	24
132010-06531	PIPE 3* 6* 85	14	A101-000010	RING,PISTON	2	C504-001320	SHAFT, DRIVE	24
132012-56030	PIPE	14	A127-000470	COVER,DUST	18	C506-000520	SHAFT, FLEXIBLE	24
132115-01462	GROMMET	20	A130-002330	CYLINDER	2	C507-000180	LINER, FLEXIBLE	24
132115-55931	GROMMET, FUEL	14	A160-003280	COVER,CYLINDER	2	C509-000080	SOCKET, SHAFT	24
145862-40630	SCREEN, MUFFLER	16	A172-003281	COVER,FAN	8	C509-000090	SOCKET,SHAFT	24
156110-04920	BUSHING	6	A175-000040	STAND	14	C510-000320	COUPLING, MAIN PIPE	24
159011-03432	COIL, SPARK PLUG	6	A202-000300	BELLOWS, INTAKE	10	C531-000030	CASE,GEAR	20
175014-39131	WASHER, CLUTCH	20	A206-000040	HOLDER, BELLOWS	10	C531-000430	CASE,GEAR	20
175046-56030	SHAFT, CLUTCH	8	A209-001000	PLATE, INSULATOR	10	C534-000430	SHAFT, GEAR	20
175048-05530	WASHER (I)	8	A209-001010	PLATE, INSULATOR	10	C580-000070	SPROCKET,DRIVE	20
175049-56030	WASHER	8	A226-002030	ELEMENT, AIR FILTER	10	C649-000140	HOOK	20
177220-40630	SPRING, REWIND	18	A226-002040	ELEMENT, AIR FILTER	10	J473-000120	PIECE,COVER	6
177228-27030	GRIP, STARTER	18	A227-000050	PLATE, ELEMENT	10	P003-001630	LEVER, METERING	12
177236-61830	SCREW	18	A244-000370	PLATE,PREVENT	10	P003-001670	DIAPHRAGM, METERING	12
300610-22061	BRACKET, HARNESS	24	A313-002060	GUIDE, EXHAUST	16	P003-001710	WASHER	12
301000-22060	HARNESS ASY, SHOULDER	28	A320-001200	COVER,MUFFLER	16	P003-004510	COVER, FUEL PUMP	12
433019-03933	NUT, FLANGE 6	20	A350-002350	TANK, FUEL	14	P003-004530	GASKET, FUEL PUMP	12
437063-38330	GEAR, WORM	20	A356-000031	VALVE,CHECK	14	P003-004540	DIAPHRAGM, FUEL PUMP	12
437244-39130	PAD, FORM	20	A365-000050	CONNECTOR,CAP	20	P003-004560	SCREW	12
610025-22361	CONNECTOR, SHAFT	20	A365-000060	CONNECTOR,CAP	14	P003-004570	SCREW	12
890011-22360	RIVET	24	A369-000470	STRAINER, FUEL	14	P003-005850	SWIVEL	12
900100-06025	BOLT 6*25	24	A409-001320	ROTOR, MAGNETO	6	P003-005860	SCREW	12
900330-40080	PIN F 4*8	8	A411-001790	COIL, IGNITION	6	P003-005870	SPRING	12
900500-00005	NUT 5	24	A413-000080	BOOT	8	P003-005880	NEEDLE	12
900502-00006	NUT 6 (3N)	26	A425-000060	SPARKPLUG	6	P003-005890	CLIP	12
900515-00008	NUT, FLANGE 8	6	A427-000090	PLUG CAP	6	P003-005900	PLATE	12
900518-00006	NUT, FLANGE	26	A429-000110	PLUG CAP COVER	6	P003-006140	VALVE, THROTTLE	12
						P003-006260	BODY ASSEMBLY, PUMP	12

NUMERICAL PARTS INDEX

Part No	Part description	Page	Part No	Part description	Page	Part No	Part description	Page
P021-005591	CAP ASY	20	V263-000080	NUT,5	24	V805-000220	BOLT, TORX 5	4
P021-012211	CAP,FUEL ASY	14	V299-000640	KNOB,FASTENER	10	V805-000250	BOLT, TORX 5	16
P021-049240	HANGER ASY	24	V299-000660	KNOB,FASTENER	24	V805-000340	BOLT, TORX 5	10
P021-050840	PISTON KIT	2	V307-000160	WASHER,CIRCULAR 10	20	V835-000010	BOLT, TORX 5	2
P021-050850	CRANKCASE KIT	4	V323-000070	WASHER,CIRCULAR 5	6	V835-000010	BOLT, TORX 5	16
P021-050880	CLEANER CASE ASY	10	V354-000010	COLLAR,6	20	V855-000000	BOLT, TORX 5	10
P021-052190	CABLE ASY, CONTROL	26	V355-000140	COLLAR,8	20	X222-000110	CHAIN,SAW	28
P022-002100	E-RING	18	V451-001390	SPRING,TENSION	8	X490-000050	SCABBARD,CHAIN	28
P022-006510	SPRING, RETURN	18	V452-000330	SPRING,TORSION	26	X502-000600	LABEL,ECHO	22
P022-006850	PAWL, STARTER	18	V452-000340	SPRING,TORSION	26	X502-000610	LABEL,ECHO	26
P022-008270	SPRING,DAMPER	18	V471-001231	PIPE	14	X503-015130	LABEL,MODEL	2
P022-010640	CAP, OIL PUMP	30	V475-004000	TUBE	24	X505-002362	LABEL,CAUTION	26
P022-010650	PLUNGER	30	V475-007540	TUBE	6	X505-002372	LABEL,CAUTION	24
P022-010660	SPRING	30	V485-002880	LEAD	6	X506-000170	LABEL,CHOKE	10
P022-010670	SPRING	30	V490-001230	CLIP	14	X524-001901	LABEL	10
P022-010680	SCREW ASS'Y, ADJUST	30	V490-001240	CLIP	14	X547-003460	LABEL,ECHO	18
P022-022010	NUT	18	V495-003020	BAND	26	X601-000030	TOOL,BOX SPANNER	28
P022-022110	ROPE, STARTER	18	V503-000040	SEAL,OIL 10	4	X605-000060	TOOL,L WRENCH	28
P022-033310	PLATE, CAM	18	V554-000020	BEARING,NEEDLE 9	2	X690-000080	GOGGLE	28
P022-033320	DRUM, STARTER	18	V583-000090	RING	20			
P022-037670	STOPPER, ROPE	18	V583-000110	RING	24			
P022-043670	STATER CASE	18	V651-000310	GEAR,BEVEL	20			
P022-045770	GUIDE, ROPE	18	V651-000320	GEAR,BEVEL	20			
P100-001900	STRAINER, OIL	20	V651-001180	GEAR,BEVEL	20			
P100-002270	ARM,CLUTCH SET	8	V651-001190	GEAR,BEVEL	20			
P100-003331	PIPE OIL ASY	20	V804-000030	BOLT, TORX 4	16			
P100-003600	LID,CLEANER ASY	10	V805-000000	BOLT, TORX 5	26			
P100-004020	MUFFLER ASY	16	V805-000130	BOLT, TORX 5	20			
P100-006230	FAN COVER ASY	8	V805-000130	BOLT, TORX 5	22			
P100-006460	TANK, OIL	20	V805-000130	BOLT, TORX 5	24			
P100-006500	COUPLING,MAIN PIPE	24	V805-000140	BOLT, TORX 5	18			
P100-007410	CASE ASY, GEAR	20	V805-000140	BOLT, TORX 5	24			
V100-000840	GASKET,CYL	2	V805-000150	BOLT, TORX 5	8			
V102-000300	GASKET,CRANKCASE	4	V805-000150	BOLT, TORX 5	10			
V103-001890	GASKET,INTAKE	10	V805-000150	BOLT, TORX 5	24			
V103-001900	GASKET,INTAKE	10	V805-000150	BOLT, TORX 5	26			
V104-002300	GASKET,EXHAUST	16	V805-000160	BOLT, TORX 5	8			
V104-002310	GASKET,EXHAUST	16	V805-000160	BOLT, TORX 5	14			
V107-000190	GASKET,FUEL CAP	14	V805-000160	BOLT, TORX 5	20			
V151-000170	PLATE,CUP	6	V805-000160	BOLT, TORX 5	24			
V186-000500	JOINT,PIPE	14	V805-000170	BOLT, TORX 5	8			
V203-000041	BOLT,5	20	V805-000170	BOLT, TORX 5	14			
V224-000040	BOLT,STUD 6	20	V805-000170	BOLT, TORX 5	20			
V252-000040	SCREW,4	20	V805-000210	BOLT, TORX 5	2			
V253-001020	SCREW,5	10	V805-000210	BOLT, TORX 5	6			