

PAS-2620ES

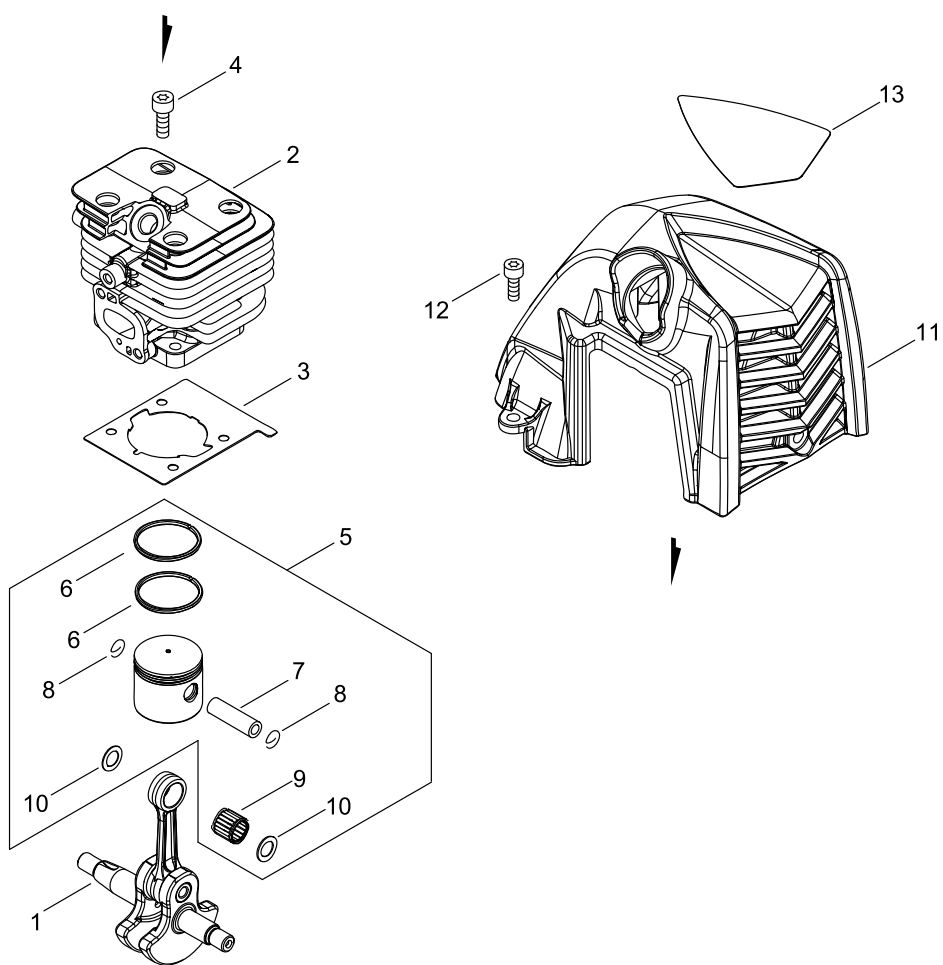
Serial number: 38000001-38999999

Last update date: 01/28/2020

TABLE OF CONTENTS

CYLINDER, PISTON, CRANKSHAFT.....	1
CRANKCASE	3
MAGNETO.....	5
CLUTCH.....	7
AIR CLEANER, CARBURETOR.....	9
CARBURETOR.....	11
FUEL TANK.....	13
MUFFLER	15
RECOIL STARTER, PULLY	17
MAIN PIPE, HANDLE.....	19
THROTTLE	21
ACCESSORIES	23

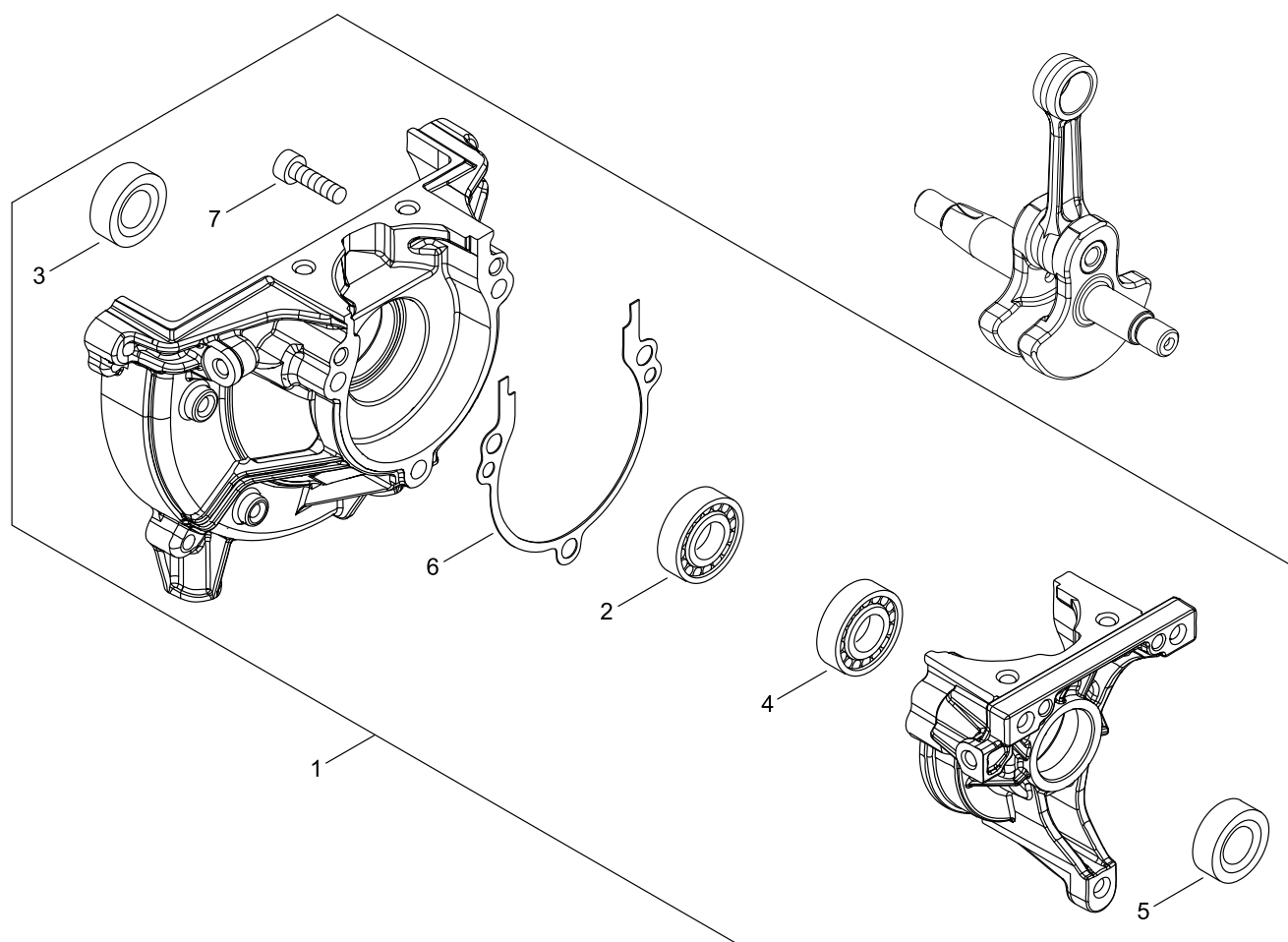
CYLINDER, PISTON, CRANKSHAFT



CYLINDER, PISTON, CRANKSHAFT

Key No.	LV (+)	Part No	Description	Qty	Standard
1		A011-001460	CRANKSHAFT,ASY	1	
2		A130-002330	CYLINDER	1	
3		V100-000840	GASKET,CYL	1	
4		V805-000210	BOLT, TORX 5	4	TB-5*20 12.9
5		P021-050840	PISTON KIT	1	
6	+	A101-000010	RING,PISTON	2	
7	+	100013-35430	PIN, PISTON	1	6*9*27.8
8	+	100015-03931	CIRCLIP, PISTON PIN	2	
9	+	V554-000020	BEARING,NEEDLE 9	1	KTV-91212EG14-B2
10	+	100014-53630	SPACER, PISTON PIN	2	
11		A160-003280	COVER,CYLINDER	1	
12		V835-000010	BOLT, TORX 5	2	TB-5*12 10.9
13		X503-014900	LABEL,MODEL	1	PAS-2620ES

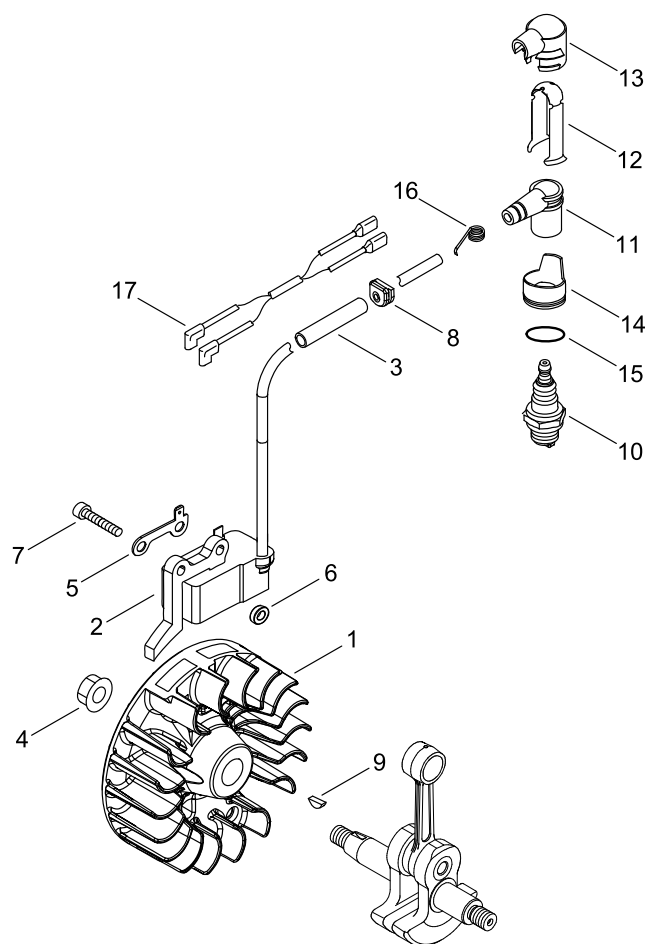
CRANKCASE



CRANKCASE

Key No.	LV (+)	Part No	Description	Qty	Standard
1		P021-050850	CRANKCASE KIT	1	
2	+	900800-36001	BEARING, BALL	1	6001/C3
3	+	100212-42031	OILSEAL	1	ISCD 12*22*4.5
4	+	900810-36000	BEARING, BALL	1	6000
5	+	V503-000040	SEAL,OIL 10	1	ISCD 10*20*5F
6	+	V102-000300	GASKET,CRANKCASE	1	
7	+	V805-000220	BOLT, TORX 5	3	TB-5*25 12.9

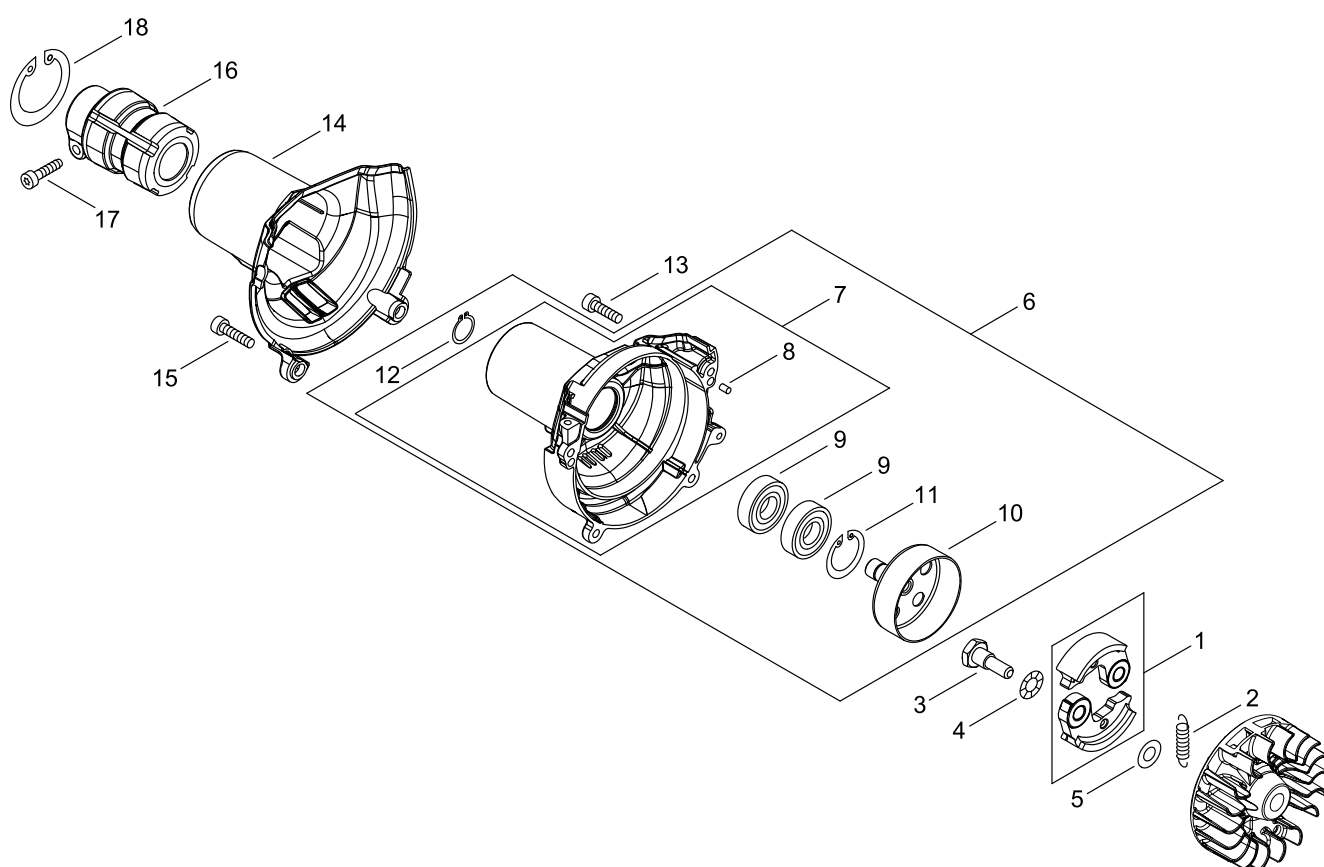
MAGNETO



MAGNETO

Key No.	LV (+)	Part No	Description	Qty	Standard
1		A409-001320	ROTOR, MAGNETO	1	
2		A411-001790	COIL, IGNITION	1	ID#A10073A
3		V475-007540	TUBE	1	
4		900515-00008	NUT, FLANGE 8	1	8
5		C152-001030	CONNECTOR	1	
6		V323-000070	WASHER,CIRCULAR 5	2	5.2*10*3
7		V805-000210	BOLT, TORX 5	2	TB-5*20 12.9
8		156110-04920	BUSHING	1	
9		100142-12330	KEY, WOODRUFF	1	
10		A425-000060	SPARKPLUG	1	CMR7H
11		A427-000090	PLUG CAP	1	
12		V151-000170	PLATE,CUP	1	
13		A429-000110	PLUG CAP COVER	1	
14		J473-000120	PIECE,COVER	1	
15		900720-00022	O-RING 22	1	P-22
16		159011-03432	COIL, SPARK PLUG	1	
17		V485-002880	LEAD	1	

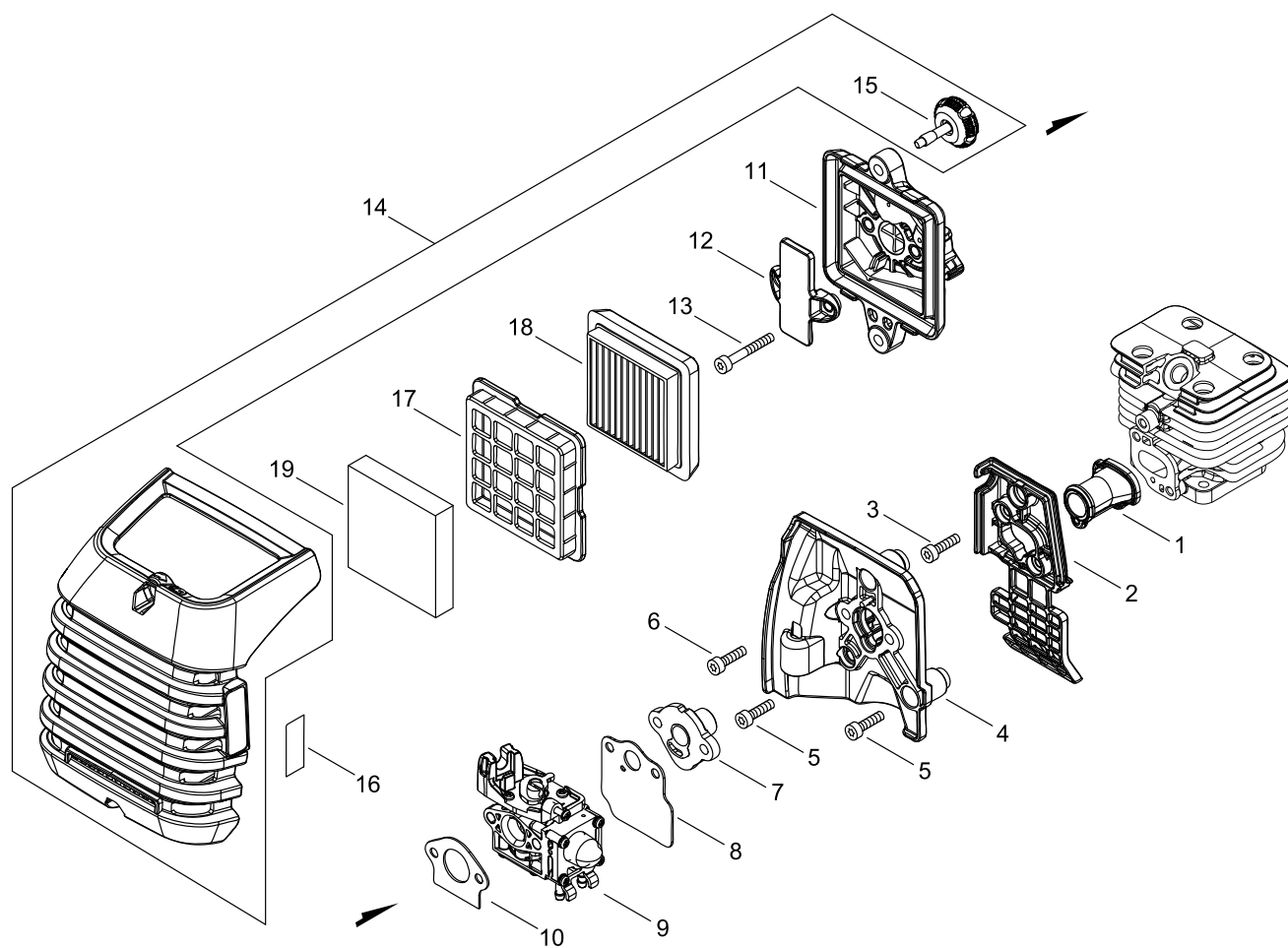
CLUTCH



CLUTCH

Key No.	LV (+)	Part No	Description	Qty	Standard
1		P100-002270	ARM,CLUTCH SET	1	
2		V451-001390	SPRING,TENSION	1	172N/34MM
3		175046-56030	SHAFT, CLUTCH	2	
4		175049-56030	WASHER	2	8.5*16*0.5
5		175048-05530	WASHER (I)	2	6.2*19*1.0
6		P100-005340	FAN COVER ASY	1	
7	+	A172-003142	COVER,FAN	1	
8	++	900330-40080	PIN F 4*8	2	4*8
9	+	900807-06001	BEARING, BALL 6001	2	6001V(LB)
10	+	A556-001760	DRUM,CLUTCH	1	
11	+	900702-00028	CIRCLIP 28	1	CR-28
12	+	900701-00012	CIRCLIP 12	1	CS-12
13		V805-000150	BOLT, TORX 5	2	TB-5*16 10.9
14		A413-000080	BOOT	1	
15		V805-000160	BOLT, TORX 5	2	TB-5*20 10.9
16		A575-000640	FIXTURE, MAIN PIPE	1	
17		V805-000170	BOLT, TORX 5	1	TB-5*25 10.9
18		900702-00042	CIRCLIP 42	1	CR-42

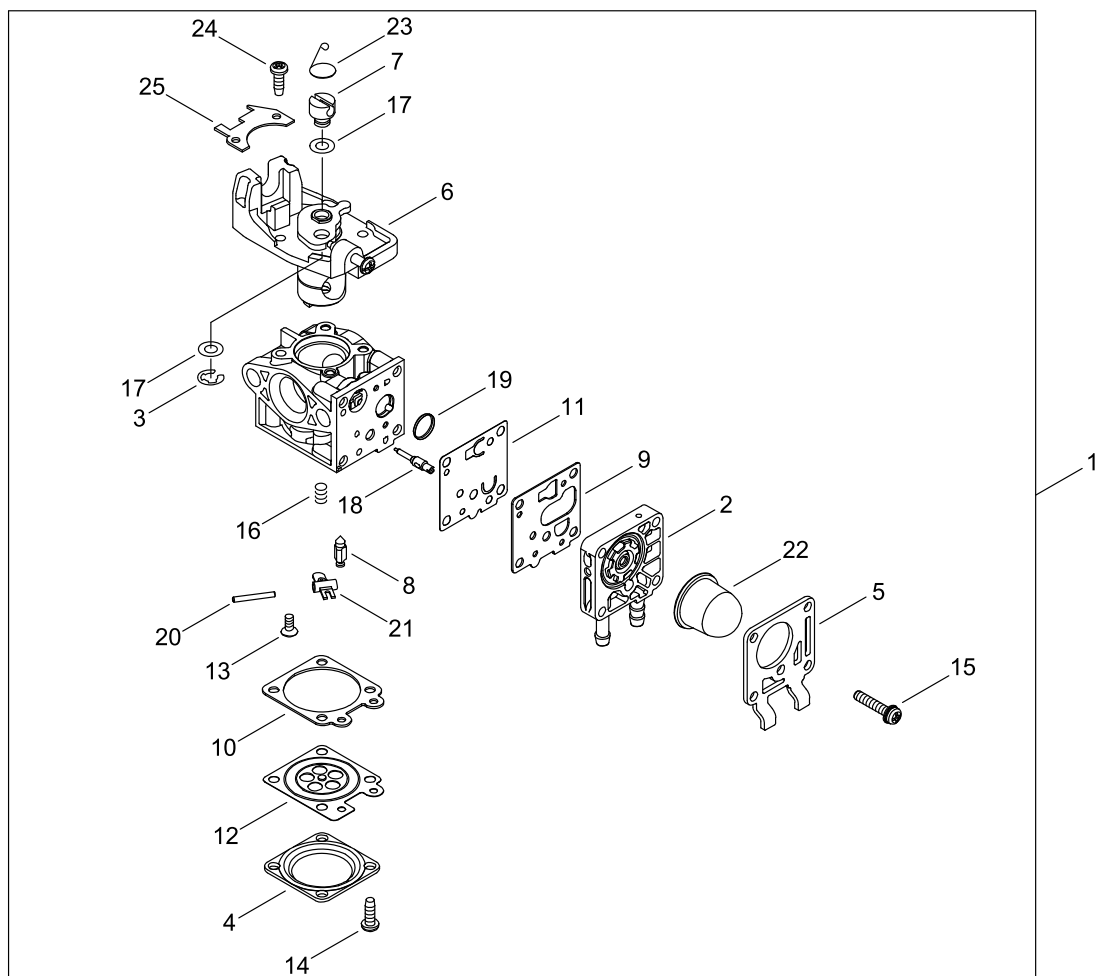
AIR CLEANER, CARBURETOR



AIR CLEANER, CARBURETOR

Key No.	LV (+)	Part No	Description	Qty	Standard
1		A202-000300	BELLOWS, INTAKE	1	
2		A206-000040	HOLDER, BELLOWS	1	
3		V253-001020	SCREW,5	2	TB2411 10MM
4		A209-001010	PLATE, INSULATOR	1	
5		V805-000150	BOLT, TORX 5	2	TB-5*16 10.9
6		V855-000000	BOLT, TORX 5	1	TB-5*20
7		A209-001000	PLATE, INSULATOR	1	
8		V103-001890	GASKET,INTAKE	1	
9		A021-004600	CARBURETOR, DIAPHRAGM	1	WYG-9
10		V103-001900	GASKET,INTAKE	1	
11		P021-050880	CLEANER CASE ASY	1	
12		A244-000370	PLATE,PREVENT	1	
13		V805-000340	BOLT, TORX 5	2	TB-5*60 10.9
14		P100-003600	LID,CLEANER ASY	1	
15	+	V299-000640	KNOB,FASTENER	2	
16		X506-000170	LABEL,CHOKE	1	SYMBOLS + T
17		A227-000050	PLATE, ELEMENT	1	
18		A226-002030	ELEMENT, AIR FILTER	1	
19		A226-002040	ELEMENT, AIR FILTER	1	HP-70

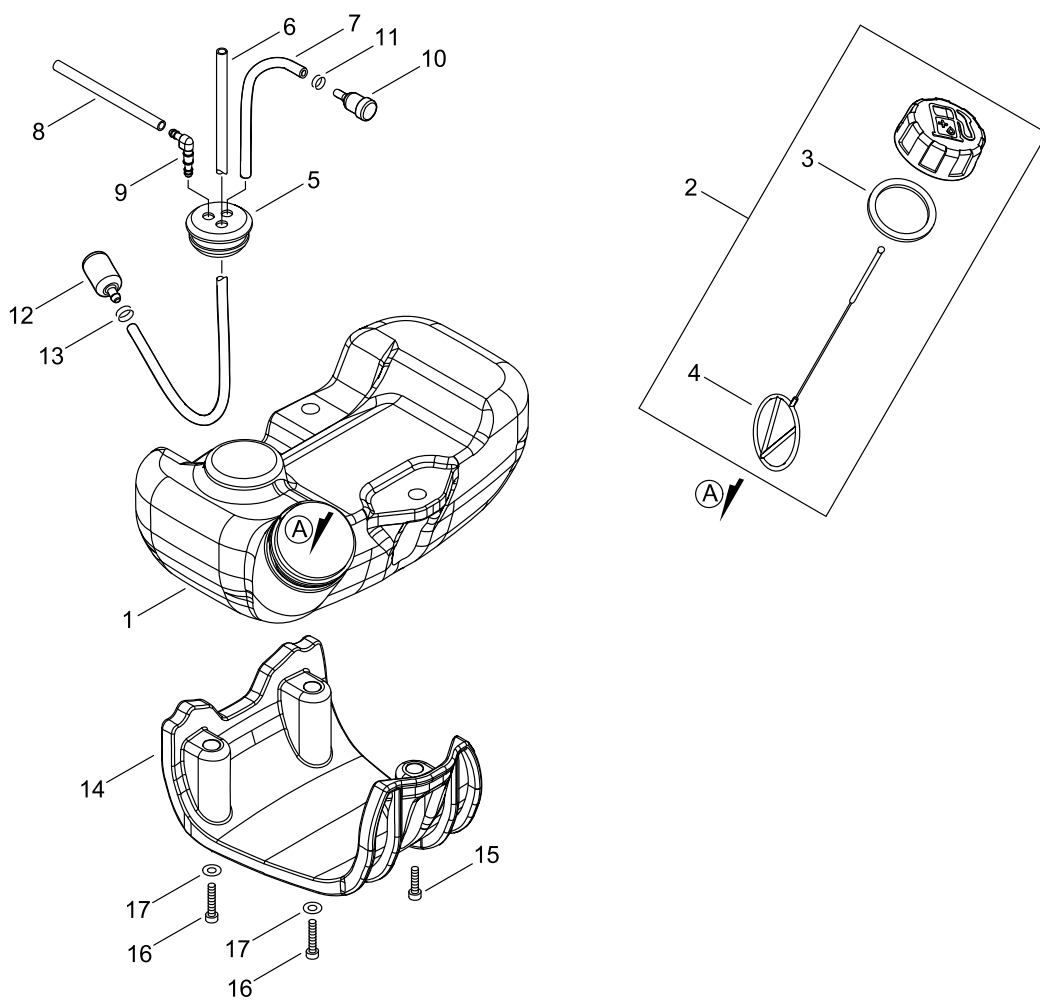
CARBURETOR



CARBURETOR

Key No.	LV (+)	Part No	Description	Qty	Standard
1		A021-004600	CARBURETOR, DIAPHRAGM	1	WYG-9
2	+	P003-006260	BODY ASSEMBLY, PUMP	1	
3	+	123173-07930	CLIP	1	
4	+	123142-03930	COVER, M. DIAPHRAGM	1	
5	+	P003-004510	COVER, FUEL PUMP	1	
6	+	P003-006140	VALVE, THROTTLE	1	
7	+	P003-005850	SWIVEL	1	
8	+	123137-19830	VALVE, INLET NEEDLE	1	
9	+	P003-004530	GASKET, FUEL PUMP	1	
10	+	123140-27230	GASKET,M. DIAPHRAGM	1	
11	+	P003-004540	DIAPHRAGM, FUEL PUMP	1	
12	+	P003-001670	DIAPHRAGM, METERING	1	
13	+	P003-005860	SCREW	1	
14	+	P003-004560	SCREW	4	
15	+	P003-004570	SCREW	4	
16	+	P003-005870	SPRING	1	
17	+	P003-001710	WASHER	2	
18	+	P003-005880	NEEDLE	1	
19	+	123126-10631	SCREEN, INLET	1	
20	+	123138-03930	PIN, METERING LEVER	1	
21	+	P003-001630	LEVER, METERING	1	
22	+	123181-09560	PUMP, PRIMER	1	
23	+	P003-005890	CLIP	1	
24	+	123114-40630	SCREW	3	
25	+	P003-005900	PLATE	1	

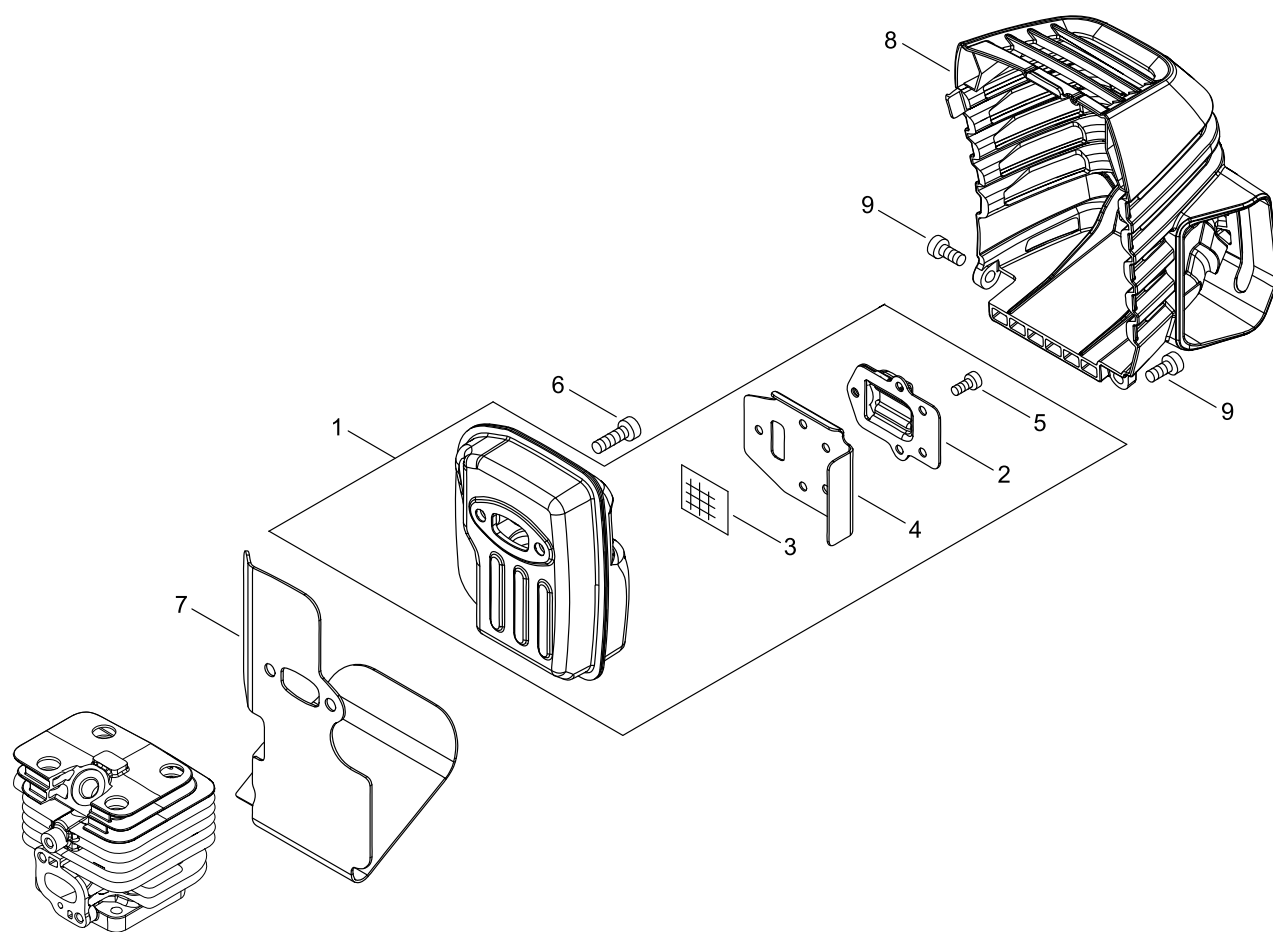
FUEL TANK



FUEL TANK

Key No.	LV (+)	Part No	Description	Qty	Standard
1		A350-002350	TANK, FUEL	1	
2		P021-012211	CAP,FUEL ASY	1	
3	+	V107-000190	GASKET,FUEL CAP	1	37.9*T2.2
4	+	A365-000060	CONNECTOR,CAP	1	L=123
5		132115-55931	GROMMET, FUEL	1	3 Φ5
6		V471-001231	PIPE	1	3*5*210
7		132010-06531	PIPE 3* 6* 85	1	3*6*85
8		132012-56030	PIPE	1	3*6*80 YL
9		V186-000500	JOINT,PIPE	1	
10		A356-000031	VALVE,CHECK	1	
11		V490-001230	CLIP	1	
12		A369-000470	STRAINER, FUEL	1	
13		V490-001240	CLIP	1	
14		A175-000040	STAND	1	
15		V805-000160	BOLT, TORX 5	1	TB-5*20 10.9
16		V805-000170	BOLT, TORX 5	2	TB-5*25 10.9
17		900602-00005	WASHER 5	2	5.3*10*1

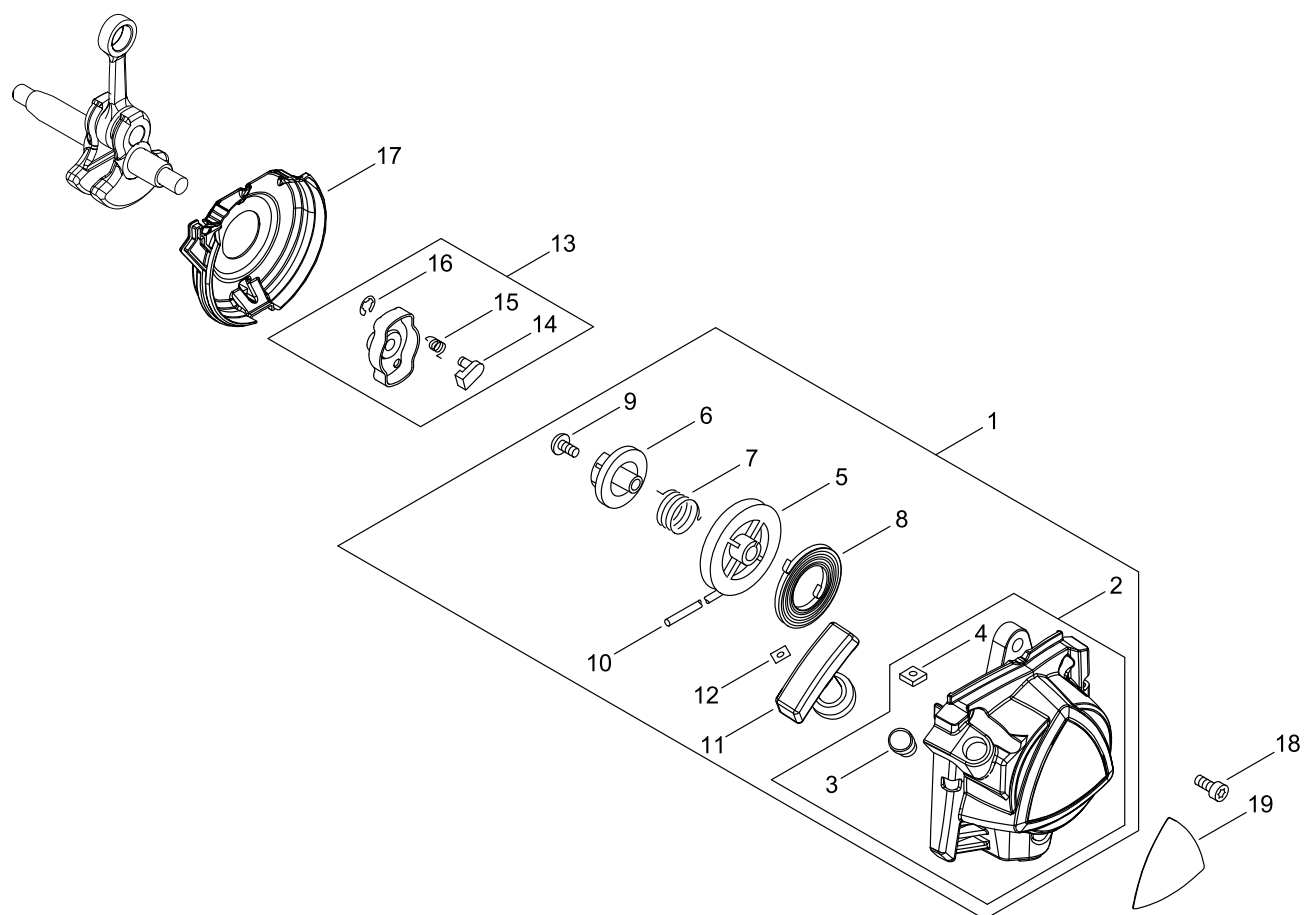
MUFFLER



MUFFLER

Key No.	LV (+)	Part No	Description	Qty	Standard
1		P100-004020	MUFFLER ASY	1	
2	+	A313-002060	GUIDE, EXHAUST	1	
3	+	145862-40630	SCREEN, MUFFLER	1	
4	+	V104-002300	GASKET,EXHAUST	1	
5	+	V804-000030	BOLT, TORX 4	5	TB-4*8 10.9
6		V805-000250	BOLT, TORX 5	2	TB-5*16 12.9
7		V104-002310	GASKET,EXHAUST	1	
8		A320-001200	COVER,MUFFLER	1	
9		V835-000010	BOLT, TORX 5	2	TB-5*12 10.9

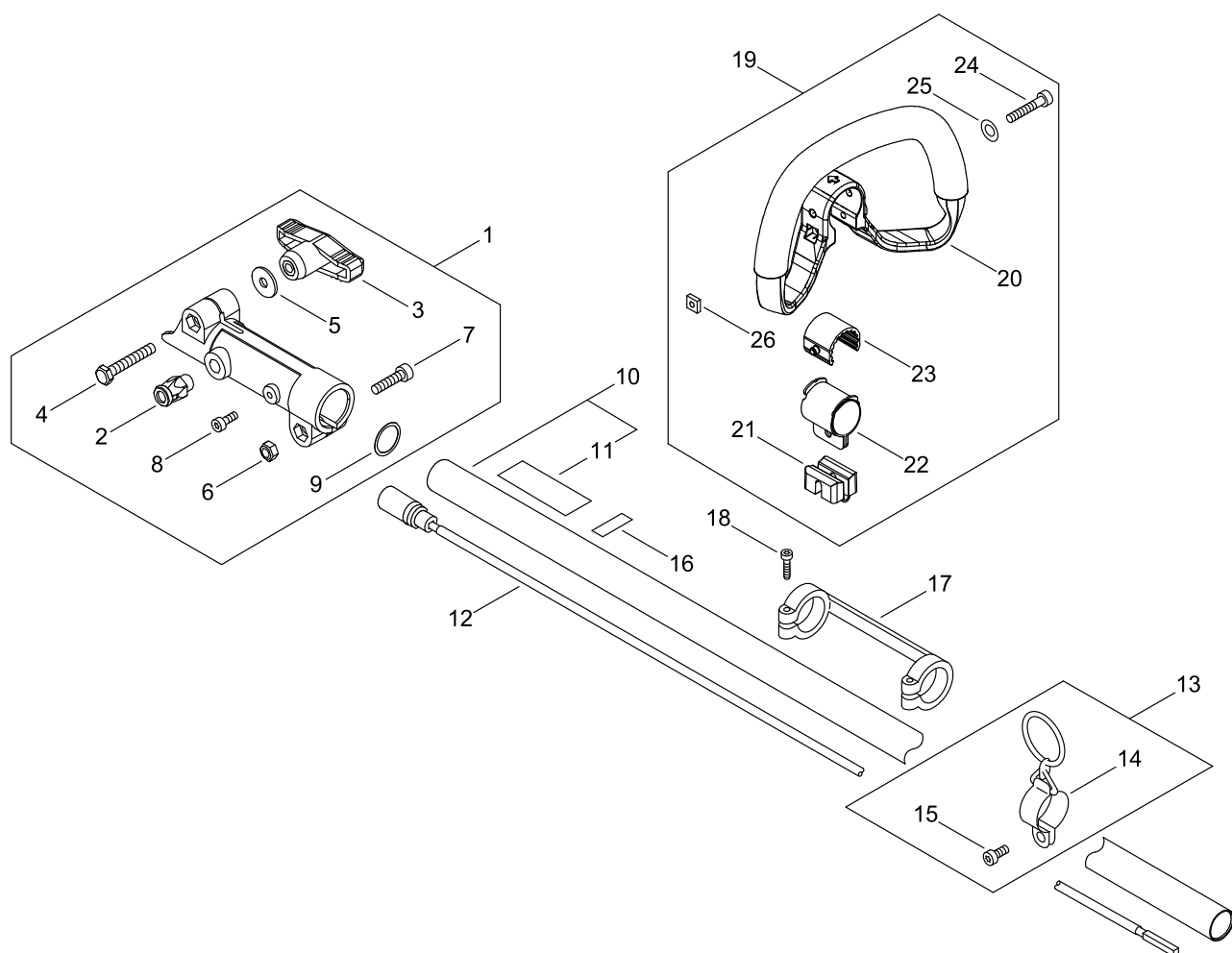
RECOIL STARTER, PULLY



RECOIL STARTER, PULLY

Key No.	LV (+)	Part No	Description	Qty	Standard
1		A051-003220	STARTER,RECOIL ASY	1	
2	+	P022-043670	STATER CASE	1	
3	++	P022-045770	GUIDE, ROPE	1	
4	++	900565-00005	NUT	2	5
5	+	P022-033320	DRUM, STARTER	1	
6	+	P022-033310	PLATE, CAM	1	
7	+	P022-008270	SPRING,DAMPER	1	
8	+	177220-40630	SPRING, REWIND	1	
9	+	177236-61830	SCREW	1	
10	+	P022-022110	ROPE, STARTER	1	
11	+	177228-27030	GRIP, STARTER	1	
12	+	P022-037670	STOPPER, ROPE	1	
13		A052-000180	PULLEY,ASM STARTER	1	
14	+	P022-006850	PAWL, STARTER	2	
15	+	177234-12220	SPRING, PAWL	2	
16	+	P022-002100	E-RING	2	4
17		A127-000470	COVER,DUST	1	
18		V805-000140	BOLT, TORX 5	3	TB-5*12 10.9
19		X547-003420	LABEL,ECHO	1	ECHO+ PAS-2620ES

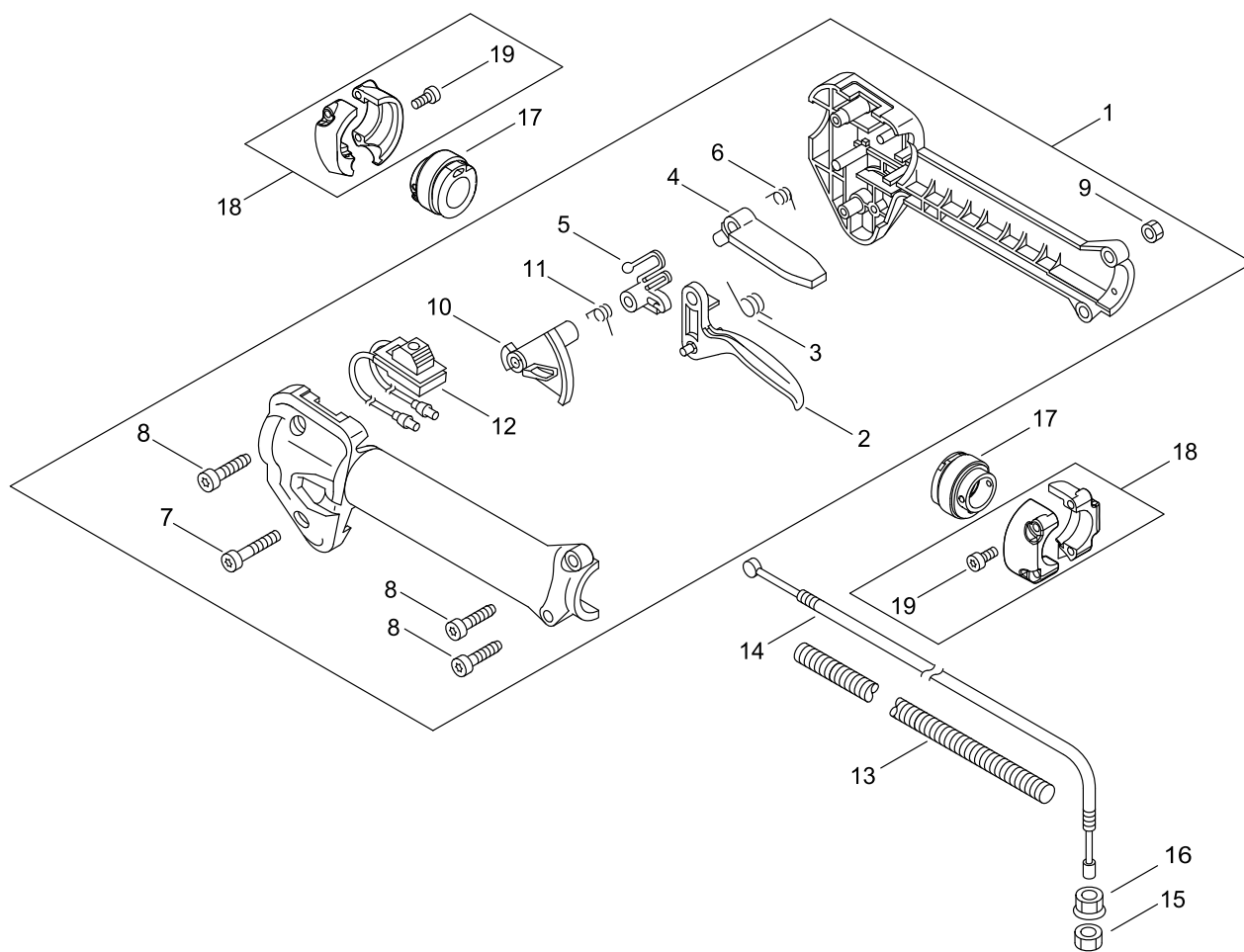
MAIN PIPE, HANDLE



MAIN PIPE, HANDLE

Key No.	LV (+)	Part No	Description	Qty	Standard
1		C510-000330	COUPLING, MAIN PIPE	1	FINAL COUPLING
2		P100-005150	LATCH ASY	1	
3	+	V299-000660	KNOB,FASTENER	1	M6X1 WING ASS"Y
4	+	91085-06040	BOLT	1	6*40
5	+	V304-000040	WASHER,CIRCULAR 6	1	6.6*20*1.6
6	+	900514-00006	NUT 6	1	6
7	+	V806-000020	BOLT, TORX 6	1	TB-6*25 10.9
8	+	V805-000130	BOLT, TORX 5	1	TB-5*10 10.9
9	+	V312-000010	WASHER,CIRCULAR 18	1	18*21.85*.203
10		P100-005860	MAIN PIPE ASY	1	
11	+	X505-006800	LABEL,CAUTION	1	ISO 3-SYMBOL
12		C506-000550	SHAFT, FLEXIBLE	1	L:31.58" / 802MM
13		P021-051240	HOOK ASY	1	
14	+	C646-000060	RING, HARNESS	1	3-PIECE ASM
15	+	V805-000140	BOLT, TORX 5	1	TB-5*12 10.9
16		890152-04930	LABEL, CAUTION	1	
17		V363-000320	COLLAR,24	1	
18		V804-000020	BOLT, TORX 4	2	TT-4*20 DG 10.9
19		P021-047681	HANDLE ASY	1	
20	+	C400-001021	HANDLE,FRONT	1	
21	+	C401-000280	PIECE,HANDLE	1	
22	+	C610-000050	FIXTURE, CUSHION	1	
23	+	V420-003700	CUSHION	1	
24	+	V805-000280	BOLT, TORX 5	1	TB-5*45 10.9
25	+	900603-00005	WASHER 5	1	5.5*12*0.8
26	+	V263-000130	NUT	1	

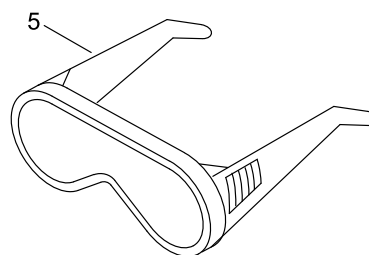
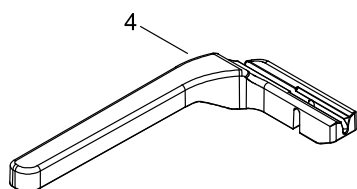
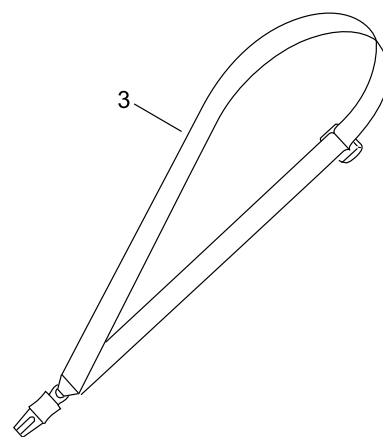
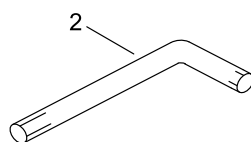
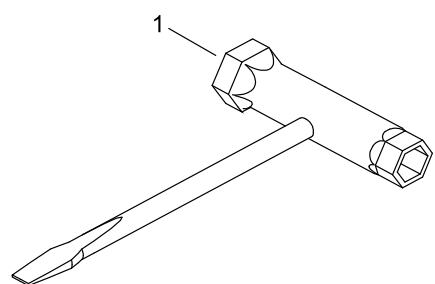
THROTTLE



THROTTLE

Key No.	LV (+)	Part No	Description	Qty	Standard
1		P100-005850	THROTTLE ASY	1	
2	+	C450-000110	TRIGGER,THROTTLE	1	
3	+	178043-42230	SPRING, THR. RETURN	1	
4	+	178090-52632	LOCKOUT, T. CONTROL	1	
5	+	C461-000000	LATCH,THROTTLE	1	
6	+	178013-52630	SPRING, THR. LOCK	1	
7	+	V805-000060	BOLT, TORX 5	1	TB-5*35 10.9
8	+	V805-000170	BOLT, TORX 5	3	TB-5*25 10.9
9	+	900500-00005	NUT 5	4	5
10	+	C461-000010	LATCH,THROTTLE	1	
11	+	V452-000120	SPRING,TORSION	1	
12	+	A440-002780	SWITCH, ON OFF	1	
13		V475-008930	TUBE	1	
14		V430-004940	CABLE,BOWDEN	1	
15		900502-00006	NUT 6 (3N)	1	3N6
16		900518-00006	NUT, FLANGE	1	6
17		V420-000960	CUSHION	2	
18		P021-050990	HANDLE FIXTURE ASY	2	
19	+	V805-000170	BOLT, TORX 5	4	TB-5*25 10.9

ACCESSORIES



ACCESSORIES

Key No.	LV (+)	Part No	Description	Qty	Standard
1		895415-66630	WRENCH, SPCKET	1	
2		X605-000170	TOOL,L WRENCH	1	
3		C062-000700	HARNESS, SHOULDER	1	SINGLE SLING
4		C405-000420	BARRIER	1	
5		X690-000080	GOGGLE	1	SI CHINA, Z87.1

NUMERICAL PARTS INDEX

Part No	Part description	Page	Part No	Part description	Page	Part No	Part description	Page
100013-35430	PIN, PISTON	2	900807-06001	BEARING, BALL 6001	8	C461-000010	LATCH,THROTTLE	22
100014-53630	SPACER, PISTON PIN	2	900810-36000	BEARING, BALL	4	C506-000550	SHAFT, FLEXIBLE	20
100015-03931	CIRCLIP, PISTON PIN	2	91085-06040	BOLT	20	C510-000330	COUPLING, MAIN PIPE	20
100142-12330	KEY, WOODRUFF	6	A011-001460	CRANKSHAFT,ASY	2	C610-000050	FIXTURE, CUSHION	20
100212-42031	OILSEAL	4	A021-004600	CARBURETOR, DIAPHRAGM	10	C646-000060	RING, HARNESS	20
123114-40630	SCREW	12	A021-004600	CARBURETOR, DIAPHRAGM	12	J473-000120	PIECE,COVER	6
123126-10631	SCREEN, INLET	12	A051-003220	STARTER,RECOIL ASY	18	P003-001630	LEVER, METERING	12
123137-19830	VALVE, INLET NEEDLE	12	A052-000180	PULLEY,ASM STARTER	18	P003-001670	DIAPHRAGM, METERING	12
123138-03930	PIN, METERING LEVER	12	A101-000010	RING,PISTON	2	P003-001710	WASHER	12
123140-27230	GASKET,M. DIAPHRAGM	12	A127-000470	COVER,DUST	18	P003-004510	COVER, FUEL PUMP	12
123142-03930	COVER, M. DIAPHRAGM	12	A130-002330	CYLINDER	2	P003-004530	GASKET, FUEL PUMP	12
123173-07930	CLIP	12	A160-003280	COVER,CYLINDER	2	P003-004540	DIAPHRAGM, FUEL PUMP	12
123181-09560	PUMP, PRIMER	12	A172-003142	COVER,FAN	8	P003-004560	SCREW	12
132010-06531	PIPE 3* 6* 85	14	A175-000040	STAND	14	P003-004570	SCREW	12
132012-56030	PIPE	14	A202-000300	BELLOWS, INTAKE	10	P003-005850	SWIVEL	12
132115-55931	GROMMET, FUEL	14	A206-000040	HOLDER, BELLOWS	10	P003-005860	SCREW	12
145862-40630	SCREEN, MUFFLER	16	A209-001000	PLATE, INSULATOR	10	P003-005870	SPRING	12
156110-04920	BUSHING	6	A209-001010	PLATE, INSULATOR	10	P003-005880	NEEDLE	12
159011-03432	COIL, SPARK PLUG	6	A226-002030	ELEMENT, AIR FILTER	10	P003-005890	CLIP	12
175046-56030	SHAFT, CLUTCH	8	A226-002040	ELEMENT, AIR FILTER	10	P003-005900	PLATE	12
175048-05530	WASHER (I)	8	A227-000050	PLATE, ELEMENT	10	P003-006140	VALVE, THROTTLE	12
175049-56030	WASHER	8	A244-000370	PLATE,PREVENT	10	P003-006260	BODY ASSEMBLY, PUMP	12
177220-40630	SPRING, REWIND	18	A313-002060	GUIDE, EXHAUST	16	P021-012211	CAP,FUEL ASY	14
177228-27030	GRIP, STARTER	18	A320-001200	COVER,MUFFLER	16	P021-047681	HANDLE ASY	20
177234-12220	SPRING, PAWL	18	A350-002350	TANK, FUEL	14	P021-050840	PISTON KIT	2
177236-61830	SCREW	18	A356-000031	VALVE,CHECK	14	P021-050850	CRANKCASE KIT	4
178013-52630	SPRING, THR. LOCK	22	A365-000060	CONNECTOR,CAP	14	P021-050880	CLEANER CASE ASY	10
178043-42230	SPRING, THR. RETURN	22	A369-000470	STRAINER, FUEL	14	P021-050990	HANDLE FIXTURE ASY	22
178090-52632	LOCKOUT, T. CONTROL	22	A409-001320	ROTOR, MAGNETO	6	P021-051240	HOOK ASY	20
890152-04930	LABEL, CAUTION	20	A411-001790	COIL, IGNITION	6	P022-002100	E-RING	18
895415-66630	WRENCH, SPCKET	24	A413-000080	BOOT	8	P022-006850	PAWL, STARTER	18
900330-40080	PIN F 4*8	8	A425-000060	SPARKPLUG	6	P022-008270	SPRING,DAMPER	18
900500-00005	NUT 5	22	A427-000090	PLUG CAP	6	P022-022110	ROPE, STARTER	18
900502-00006	NUT 6 (3N)	22	A429-000110	PLUG CAP COVER	6	P022-033310	PLATE, CAM	18
900514-00006	NUT 6	20	A440-002780	SWITCH, ON OFF	22	P022-033320	DRUM, STARTER	18
900515-00008	NUT, FLANGE 8	6	A556-001760	DRUM,CLUTCH	8	P022-037670	STOPPER, ROPE	18
900518-00006	NUT, FLANGE	22	A575-000640	FIXTURE, MAIN PIPE	8	P022-043670	STATER CASE	18
900565-00005	NUT	18	C062-000700	HARNESS, SHOULDER	24	P022-045770	GUIDE, ROPE	18
900602-00005	WASHER 5	14	C152-001030	CONNECTOR	6	P100-002270	ARM,CLUTCH SET	8
900603-00005	WASHER 5	20	C400-001021	HANDLE,FRONT	20	P100-003600	LID,CLEANER ASY	10
900701-00012	CIRCLIP 12	8	C401-000280	PIECE,HANDLE	20	P100-004020	MUFFLER ASY	16
900702-00028	CIRCLIP 28	8	C405-000420	BARRIER	24	P100-005150	LATCH ASY	20
900702-00042	CIRCLIP 42	8	C450-000110	TRIGGER,THROTTLE	22	P100-005340	FAN COVER ASY	8
900720-00022	O-RING 22	6	C461-000000	LATCH,THROTTLE	22	P100-005850	THROTTLE ASY	22
900800-36001	BEARING, BALL	4				P100-005860	MAIN PIPE ASY	20

NUMERICAL PARTS INDEX

Part No	Part description	Page	Part No	Part description	Page
V100-000840	GASKET,CYL	2	V805-000220	BOLT, TORX 5	4
V102-000300	GASKET,CRANKCASE	4	V805-000250	BOLT, TORX 5	16
V103-001890	GASKET,INTAKE	10	V805-000280	BOLT, TORX 5	20
V103-001900	GASKET,INTAKE	10	V805-000340	BOLT, TORX 5	10
V104-002300	GASKET,EXHAUST	16	V806-000020	BOLT, TORX 6	20
V104-002310	GASKET,EXHAUST	16	V835-000010	BOLT, TORX 5	2
V107-000190	GASKET,FUEL CAP	14	V835-000010	BOLT, TORX 5	16
V151-000170	PLATE,CUP	6	V855-000000	BOLT, TORX 5	10
V186-000500	JOINT,PIPE	14	X503-014900	LABEL,MODEL	2
V253-001020	SCREW,5	10	X505-006800	LABEL,CAUTION	20
V263-000130	NUT	20	X506-000170	LABEL,CHOKE	10
V299-000640	KNOB,FASTENER	10	X547-003420	LABEL,ECHO	18
V299-000660	KNOB,FASTENER	20	X605-000170	TOOL,L WRENCH	24
V304-000040	WASHER,CIRCULAR 6	20	X690-000080	GOGGLE	24
V312-000010	WASHER,CIRCULAR 18	20			
V323-000070	WASHER,CIRCULAR 5	6			
V363-000320	COLLAR,24	20			
V420-000960	CUSHION	22			
V420-003700	CUSHION	20			
V430-004940	CABLE,BOWDEN	22			
V451-001390	SPRING,TENSION	8			
V452-000120	SPRING,TORSION	22			
V471-001231	PIPE	14			
V475-007540	TUBE	6			
V475-008930	TUBE	22			
V485-002880	LEAD	6			
V490-001230	CLIP	14			
V490-001240	CLIP	14			
V503-000040	SEAL,OIL 10	4			
V554-000020	BEARING,NEEDLE 9	2			
V804-000020	BOLT, TORX 4	20			
V804-000030	BOLT, TORX 4	16			
V805-000060	BOLT, TORX 5	22			
V805-000130	BOLT, TORX 5	20			
V805-000140	BOLT, TORX 5	18			
V805-000140	BOLT, TORX 5	20			
V805-000150	BOLT, TORX 5	8			
V805-000150	BOLT, TORX 5	10			
V805-000160	BOLT, TORX 5	8			
V805-000160	BOLT, TORX 5	14			
V805-000170	BOLT, TORX 5	8			
V805-000170	BOLT, TORX 5	14			
V805-000170	BOLT, TORX 5	22			
V805-000210	BOLT, TORX 5	2			
V805-000210	BOLT, TORX 5	6			