

DPAS-TRIMMER

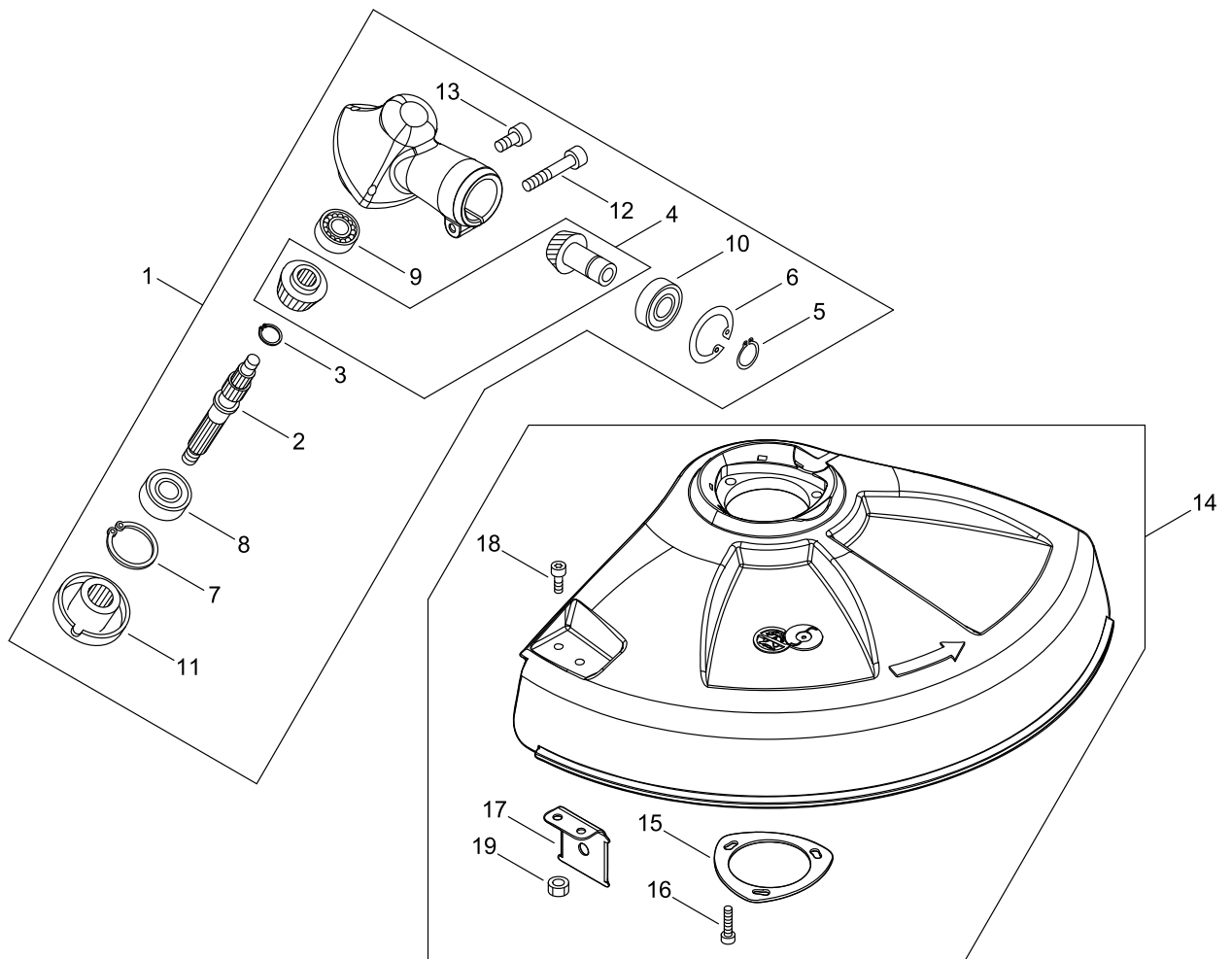
Serial number: 35001001-99999999

Last update date: 01/28/2020

TABLE OF CONTENTS

GEAR CASE, SHIELD.....	1
MAIN PIPE	3
ACCESSORIES	5
NYLON LINE CUTTER.....	7

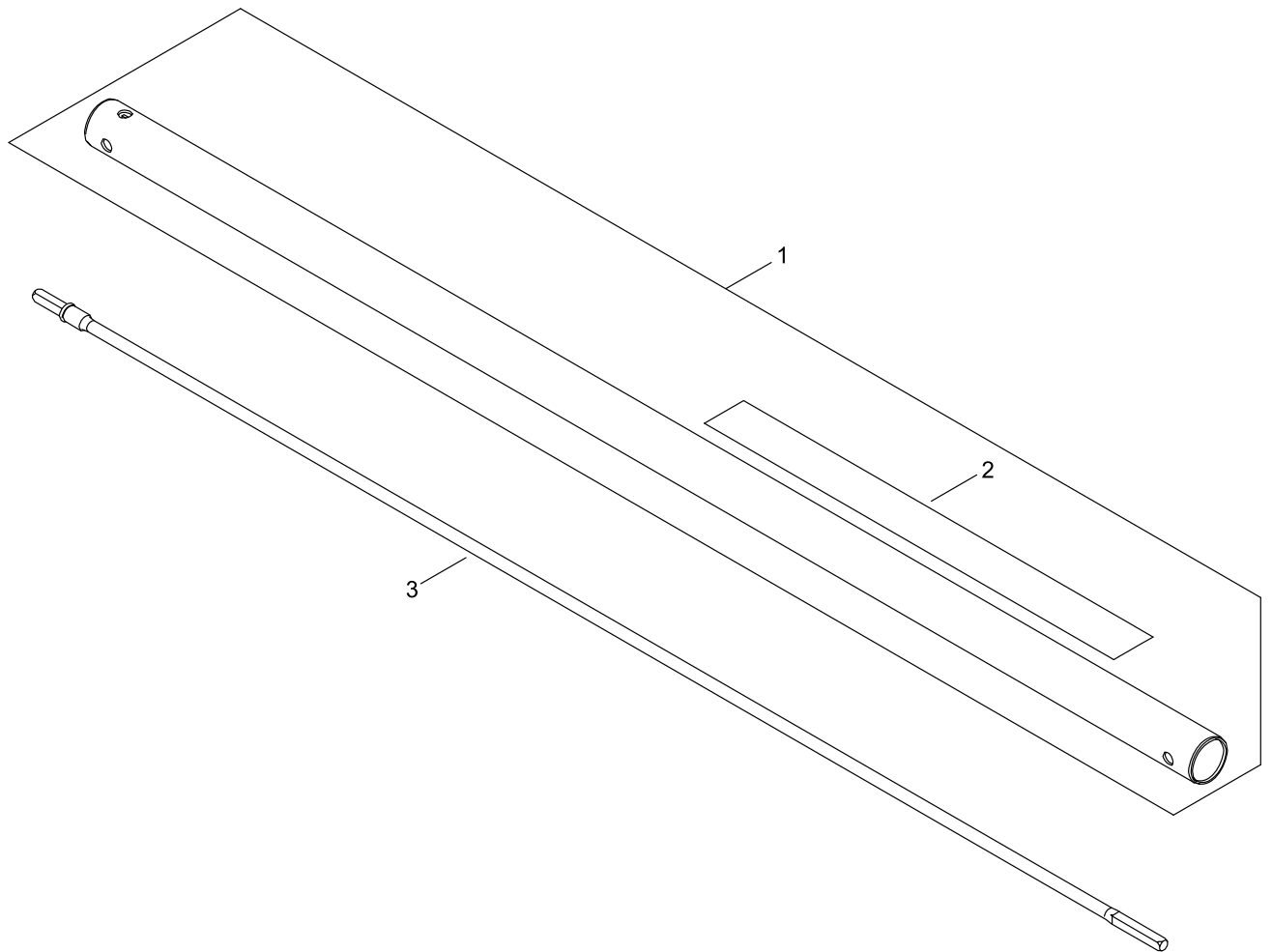
GEAR CASE, SHIELD



GEAR CASE, SHIELD

Key No.	LV (+)	Part No	Description	Qty	Standard
1		C051-001290	CASE,GEAR	1	
2	+	P022-039240	SHAFT,GEAR	1	
3	+	P022-039250	RING,SNAP	1	WR12
4	+	P100-000480	BEVEL GEAR SET	1	
5	+	P022-020700	CIRCLIP 9	1	
6	+	P022-020690	CIRCLIP 24	1	
7	+	P022-039270	CIRCLIP 24	1	R32
8	+	P022-043330	BEARING, BALL	1	
9	+	P022-020720	BEARING, BALL	1	
10	+	P022-020710	BEARING, BALL	1	
11	+	P022-039720	HOLDER	1	
12	+	V805-000170	BOLT, TORX 5	1	TB-5*25 10.9
13	+	V805-000130	BOLT, TORX 5	1	TB-5*10 10.9
14		P021-051710	SHIELD KIT	1	
15	+	C552-000220	PLATE, SHIELD	1	
16	+	V203-002110	BOLT,5	3	TB-5*16 10.9
17	+	C554-000070	KNIFE, CORD	1	
18	+	V835-000010	BOLT, TORX 5	2	TB-5*12 10.9
19	+	900500-00005	NUT 5	2	5

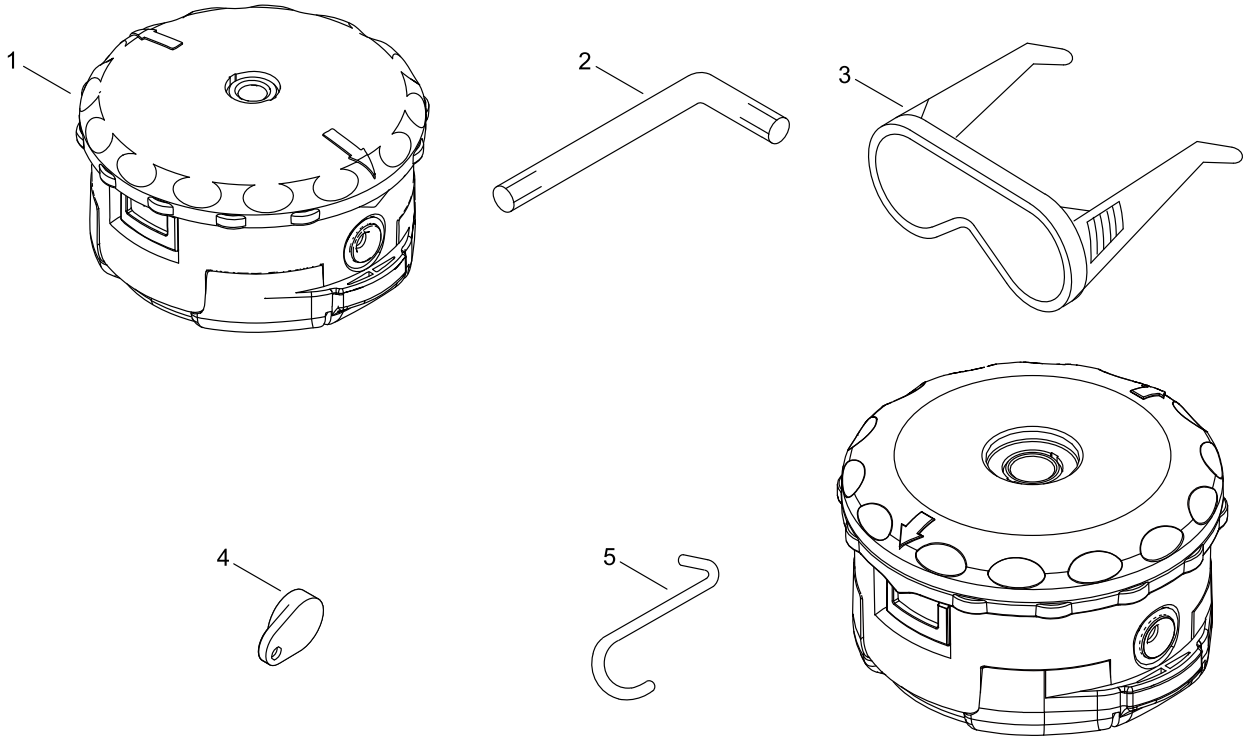
MAIN PIPE



MAIN PIPE

Key No.	LV (+)	Part No	Description	Qty	Standard
1		P100-005670	MAIN PIPE ASY	1	
2	+	X505-008900	LABEL,CAUTION	1	
3		C506-000480	SHAFT, FLEXIBLE	1	L:29.61" / 752MM

ACCESSORIES

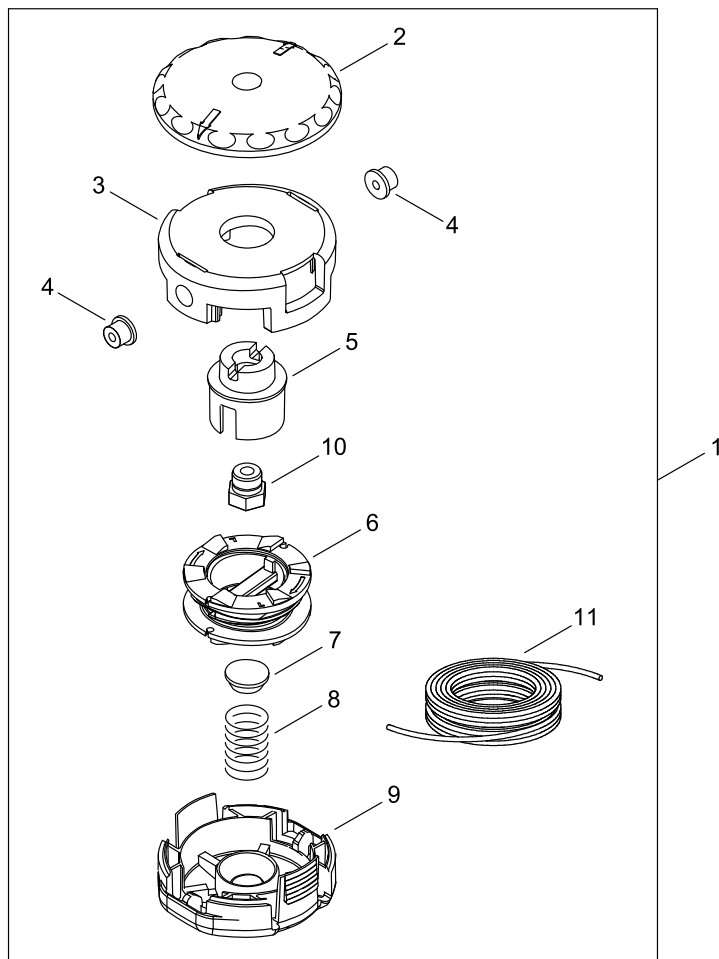


SF400/E1

ACCESSORIES

Key No.	LV (+)	Part No	Description	Qty	Standard
1		X047-001130	CUTTER,ASM LINE	1	KWIK# 343-110
2		X605-000170	TOOL,L WRENCH	1	
3		X690-000080	GOGGLE	1	SI CHINA, Z87.1
4		C525-000012	CAP,MAIN PIPE	1	25MM PIPE
5		C649-000121	HOOK	1	8 DEGREE BEND

NYLON LINE CUTTER



NYLON LINE CUTTER

Key No.	LV (+)	Part No	Description	Qty	Standard
1		X047-001130	CUTTER,ASM LINE	1	KWIK# 343-110
2	+	E415-000180	KNOB,REGULATOR	1	
3	+	X470-000340	DRUM,REEL	1	KWIK# 769-102
4	+	X475-000110	GUIDE,CORD	2	KWIK# 869-115
5	+	X476-000040	HUB,REEL	1	
6	+	X473-000130	REEL,CORD	1	
7	+	V494-000840	SPRING CAP	1	
8	+	V450-001880	SPRING,COMPRESSION	1	
9	+	X472-000070	LID,DRUM	1	
10	+	V160-000150	FILLER	1	M10 X 1.25 GOLD
11	+	X474-000290	CORD	1	KWIK# 439-115

NUMERICAL PARTS INDEX

Part No	Part description	Page
900500-00005	NUT 5	2
C051-001290	CASE,GEAR	2
C506-000480	SHAFT, FLEXIBLE	4
C525-000012	CAP,MAIN PIPE	6
C552-000220	PLATE, SHIELD	2
C554-000070	KNIFE, CORD	2
C649-000121	HOOK	6
E415-000180	KNOB,REGULATOR	8
P021-051710	SHIELD KIT	2
P022-020690	CIRCLIP 24	2
P022-020700	CIRCLIP 9	2
P022-020710	BEARING, BALL	2
P022-020720	BEARING, BALL	2
P022-039240	SHAFT,GEAR	2
P022-039250	RING,SNAP	2
P022-039270	CIRCLIP 24	2
P022-039720	HOLDER	2
P022-043330	BEARING, BALL	2
P100-000480	BEVEL GEAR SET	2
P100-005670	MAIN PIPE ASY	4
V160-000150	FILLER	8
V203-002110	BOLT,5	2
V450-001880	SPRING,COMPRESSION	8
V494-000840	SPRING CAP	8
V805-000130	BOLT, TORX 5	2
V805-000170	BOLT, TORX 5	2
V835-000010	BOLT, TORX 5	2
X047-001130	CUTTER,ASM LINE	6
X047-001130	CUTTER,ASM LINE	8
X470-000340	DRUM,REEL	8
X472-000070	LID,DRUM	8
X473-000130	REEL,CORD	8
X474-000290	CORD	8
X475-000110	GUIDE,CORD	8
X476-000040	HUB,REEL	8
X505-008900	LABEL,CAUTION	4
X605-000170	TOOL,L WRENCH	6
X690-000080	GOGGLE	6