

# DPAS-HCA

Serial number: 35001001-99999999

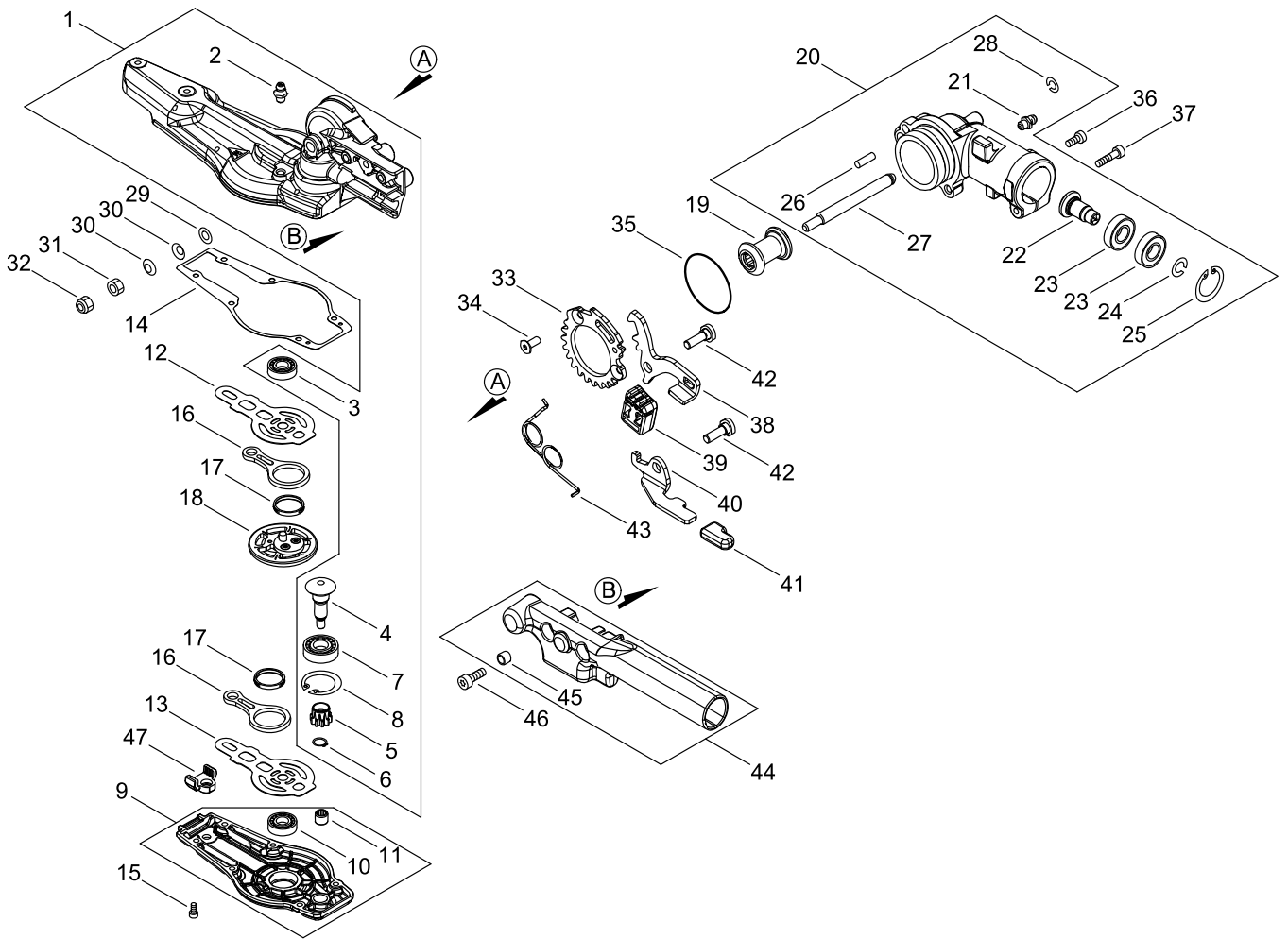
Last update date: 01/28/2020

## TABLE OF CONTENTS

---

GEAR CASE.....	1
CUTTING BLADE.....	5
MAIN PIPE.....	7
ACCESSORIES.....	9

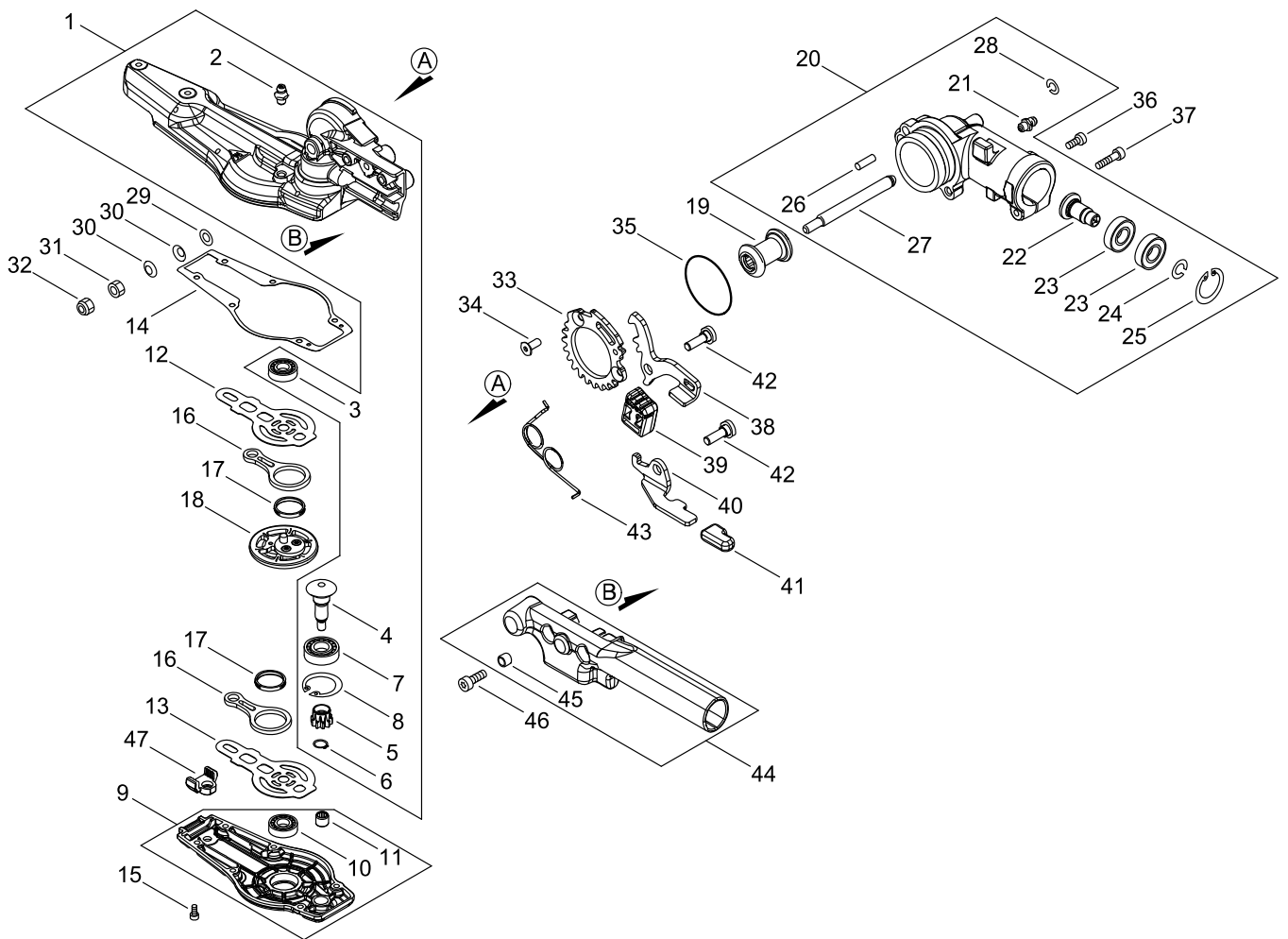
# GEAR CASE



## GEAR CASE

Key No.	LV (+)	Part No	Description	Qty	Standard
1		P100-003620	CASE,GEAR ASY	1	
2		V187-000080	GREASE NIPPLE	1	
3		900800-00608	BEARING, BALL 608	1	608
4	+	V655-000110	SHAFT,PINION	1	
5	+	V650-000730	GEAR,SPUR	1	
6	+	900701-00008	RING, RETAINING(EX)	1	CS-8
7	+	900800-06001	BEARING, BALL 6001	1	6001
8	+	900702-00028	CIRCLIP 28	1	CR-28
9		P100-003631	LID ASY, GEARCASE	1	
10	+	900800-00608	BEARING, BALL 608	1	608
11	+	V551-000000	BEARING,NEEDLE 6	1	HK0609FM
12		V150-004310	PLATE,EYE	1	T0.5
13		V150-004310	PLATE,EYE	3	T0.5
14		V110-000200	GASKET,GEAR CASE	1	T0.3
15		V804-000050	BOLT, TORX 4	6	TB-4*12 10.9
16		C532-000530	ROD, CONNECTING	2	
17		V572-000000	BEARING, NEEDLE	2	
18		V060-000140	GEAR,SPUR	1	
19		P100-003640	GEAR,BEVEL	1	
20		P100-005380	CASE,GEAR ASY	1	
21	+	V187-000080	GREASE NIPPLE	1	
22	+	V651-001100	GEAR,BEVEL	1	
23	+	900857-06901	BEARING, BALL 6901	2	6901LLU
24	+	900706-00012	CIRCLIP 12	1	WR-12
25	+	900702-00024	CIRCLIP 24	1	CR-24
26	+	V623-000120	PIN,STRAIGHT 5	1	L15.5
27	+	C534-001100	SHAFT, GEAR	1	
28	+	92411-08000	RING	1	WR-8
29		900603-00006	WASHER 6	1	6.5*13*1
30		V347-000030	CONE WASHER	2	
31		900502-00006	NUT 6 (3N)	1	3N6
32		900560-00006	NUT, LOCK	1	6
33		C465-000040	RESETTER, LATCH	1	
34		900175-05012	BOLT, H.S.H	2	5*12
35		900724-00035	O-RING 35	1	S-35
36		V805-000130	BOLT, TORX 5	1	TB-5*10 10.9
37		V805-000170	BOLT, TORX 5	1	TB-5*25 10.9
38		C661-000210	LEVER, RELEASE	1	
39		V494-001070	CAP	1	
40		C661-000220	LEVER, RELEASE	1	
41		V494-000891	CAP	1	
42		V204-000580	PIN RATCHET	2	
43		V452-001740	SPRING,TORSION	1	
44		C403-000880	GRIP, HANDLE	1	
45	+	131045-28230	COLLAR	2	
46		V805-000150	BOLT, TORX 5	2	TB-5*16 10.9

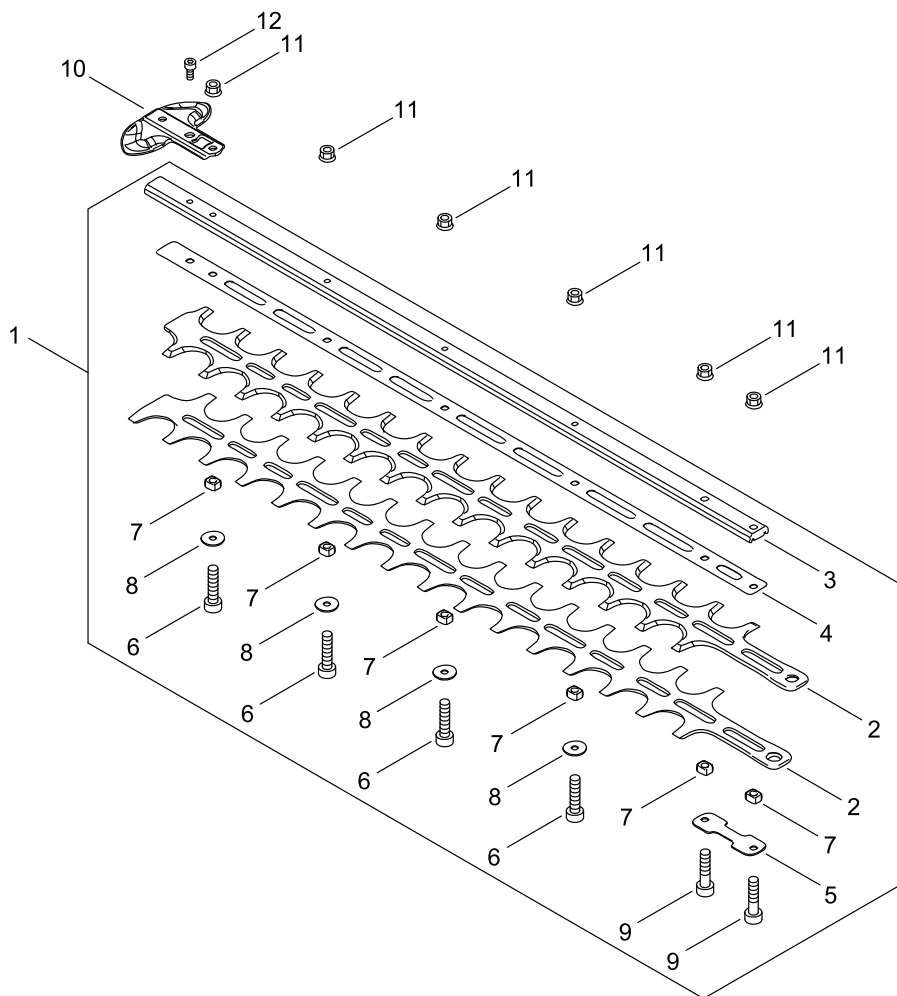
GEAR CASE



## GEAR CASE

Key No.	LV (+)	Part No	Description	Qty	Standard
47		V541-000620	SEAL	1	

# CUTTING BLADE

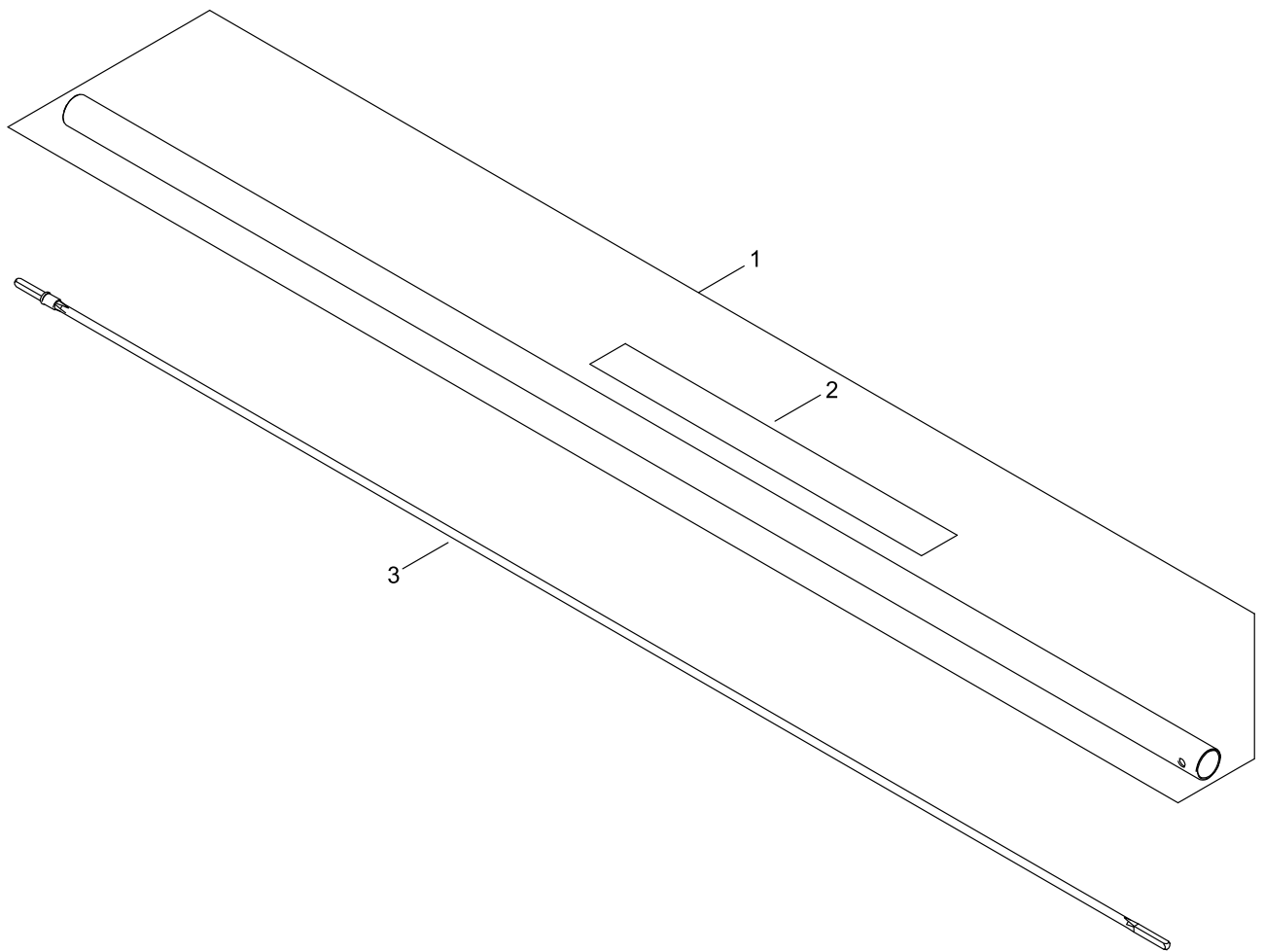


## CUTTING BLADE

Key No.	LV (+)	Part No	Description	Qty	Standard
1		X041-000680	CUTTER,ASM	1	
2	+	X411-001370	CUTTER	2	
3	+	X425-001030	SUPPORT,CUTTER	1	
4	+	X425-001040	SUPPORT,CUTTER	1	
5	+	V150-004330	PLATE,EYE	2	
6	+	V805-000160	BOLT, TORX 5	4	TB-5*20 10.9
7	+	V353-000730	COLLAR,5	6	9*7.45*4.3
8	+	V303-000290	WASHER	4	
9	+	V805-000180	BOLT, TORX 5	2	TB-5*30 12.9
10		E278-000311	PROTECTOR	1	NEW-SHC
11		92108-05000	NUT, FLANGE	6	
12		V805-000120	BOLT, TORX 5	1	TB-5*8 10.9



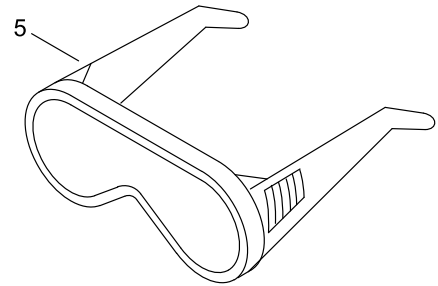
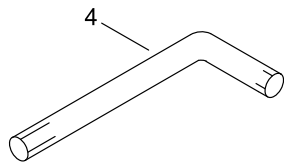
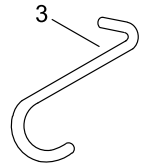
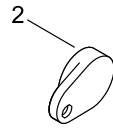
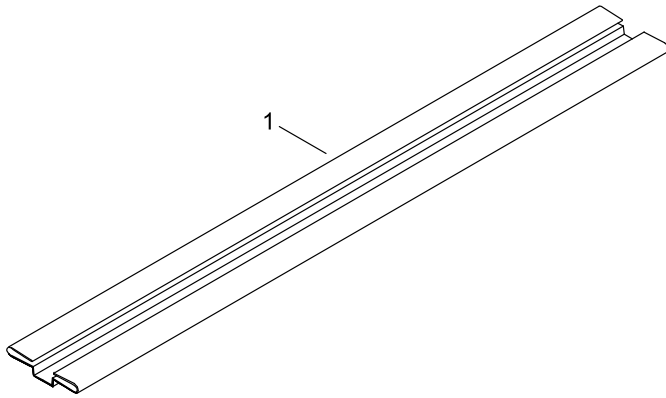
# MAIN PIPE



## MAIN PIPE

Key No.	LV (+)	Part No	Description	Qty	Standard
1		P100-005680	MAIN PIPE ASY	1	
2	+	X505-010270	LABEL,CAUTION	1	
3		C506-000600	SHAFT, FLEXIBLE	1	1167MM W/ STOPPER

# ACCESSORIES



## ACCESSORIES

Key No.	LV (+)	Part No	Description	Qty	Standard
1		X495-000540	SCABBARD, BLADE	1	L585
2		C525-000012	CAP, MAIN PIPE	1	25MM PIPE
3		C649-000121	HOOK	1	8 DEGREE BEND
4		X605-000170	TOOL, L WRENCH	1	
5		X690-000080	GOGGLE	1	SI CHINA, Z87.1

# NUMERICAL PARTS INDEX

Part No	Part description	Page	Part No	Part description	Page
131045-28230	COLLAR	2	V623-000120	PIN,STRAIGHT 5	2
900175-05012	BOLT, H.S.H	2	V650-000730	GEAR,SPUR	2
900502-00006	NUT 6 (3N)	2	V651-001100	GEAR,BEVEL	2
900560-00006	NUT, LOCK	2	V655-000110	SHAFT,PINION	2
900603-00006	WASHER 6	2	V804-000050	BOLT, TORX 4	2
900701-00008	RING, RETAINING(EX)	2	V805-000120	BOLT, TORX 5	6
900702-00024	CIRCLIP 24	2	V805-000130	BOLT, TORX 5	2
900702-00028	CIRCLIP 28	2	V805-000150	BOLT, TORX 5	2
900706-00012	CIRCLIP 12	2	V805-000160	BOLT, TORX 5	6
900724-00035	O-RING 35	2	V805-000170	BOLT, TORX 5	2
900800-00608	BEARING, BALL 608	2	V805-000180	BOLT, TORX 5	6
900800-06001	BEARING, BALL 6001	2	X041-000680	CUTTER,ASM	6
900857-06901	BEARING, BALL 6901	2	X411-001370	CUTTER	6
92108-05000	NUT, FLANGE	6	X425-001030	SUPPORT,CUTTER	6
92411-08000	RING	2	X425-001040	SUPPORT,CUTTER	6
C403-000880	GRIP, HANDLE	2	X495-000540	SCABBARD,BLADE	10
C465-000040	RESETTER, LATCH	2	X505-010270	LABEL,CAUTION	8
C506-000600	SHAFT, FLEXIBLE	8	X605-000170	TOOL,L WRENCH	10
C525-000012	CAP,MAIN PIPE	10	X690-000080	GOGGLE	10
C532-000530	ROD, CONNECTING	2			
C534-001100	SHAFT, GEAR	2			
C649-000121	HOOK	10			
C661-000210	LEVER, RELEASE	2			
C661-000220	LEVER, RELEASE	2			
E278-000311	PROTECTOR	6			
P100-003620	CASE,GEAR ASY	2			
P100-003631	LID ASY, GEARCASE	2			
P100-003640	GEAR,BEVEL	2			
P100-005380	CASE,GEAR ASY	2			
P100-005680	MAIN PIPE ASY	8			
V060-000140	GEAR,SPUR	2			
V110-000200	GASKET,GEAR CASE	2			
V150-004310	PLATE,EYE	2			
V150-004330	PLATE,EYE	6			
V187-000080	GREASE NIPPLE	2			
V204-000580	PIN RATCHET	2			
V303-000290	WASHER	6			
V347-000030	CONE WASHER	2			
V353-000730	COLLAR,5	6			
V452-001740	SPRING,TORSION	2			
V494-000891	CAP	2			
V494-001070	CAP	2			
V541-000620	SEAL	4			
V551-000000	BEARING,NEEDLE 6	2			
V572-000000	BEARING, NEEDLE	2			