

TECHNICAL INFORMATION



SUBJECT: Spark plug on ECHO CS-2511TES,
shindaiwa 251TCs and 251Ts

Number: Y2019-662
Issued: Jan. 31, 2019
Revised: Jun. 28, 2019

Introduced optional spark plug.

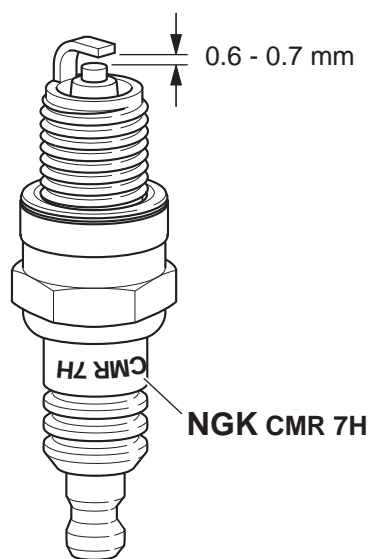
CS-2511TES (33)
CS-2511TES (37)
CS-2511TES (38)
251Ts (37)
251Ts (38)
251TCs (37)
251TCs (38)

On production

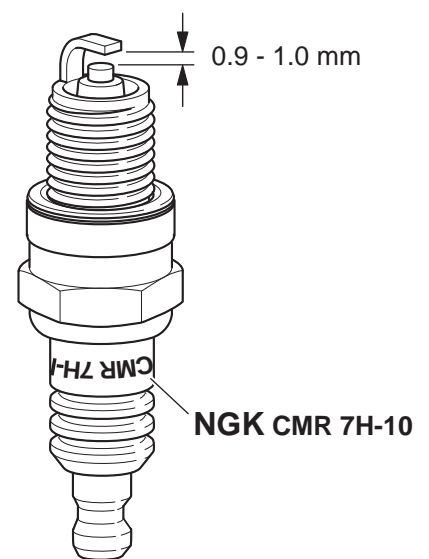
Optional part
(Spare parts only)

Spark plug

A425-000060



A425-000070



Spark plug A425-000070 can be used on production units.

Spark plug A425-000070 (option) is designed especially for using Premixed alkylate fuel with **low temperature** condition.

NOTE: For carburetor change, refer to TECHNICAL INFORMATION No.Y2018-659.
For ignition coil change, refer to TECHNICAL INFORMATION No.Y2018-660.