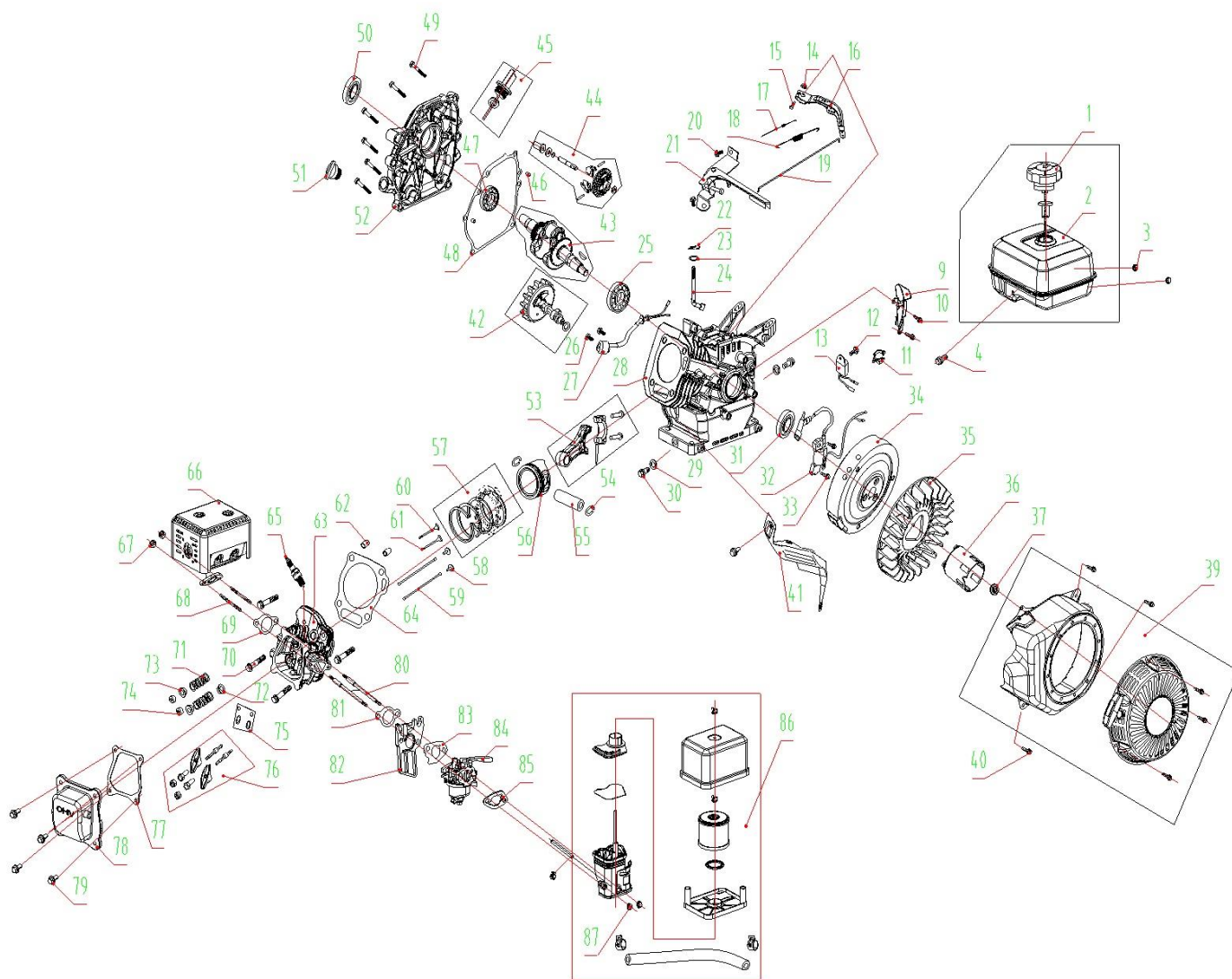


Documentatie tehnica motor motocultor Ruris 701KS



Nr.crt	Denumire produs	Product name	Cod comanda
1	buson rezervor	fuel tank cover	ps701ks-1-1
2	rezervor combustibil	fuel tank	ps701ks-1-2
3	piulita	nut	ps701ks-1-3
4	surub	bolt	ps701ks-1-4
9	deflector	diversion assy	ps701ks-1-9
10	surub	bolt	ps701ks-1-10

Producător motoutilaje

Documentatie tehnică

11	clema	clip	ps701ks-1-11
12	surub	bolt	ps701ks-1-12
13	condensator	capacitor	ps701ks-1-13
14	piulita	nut	ps701ks-1-14
15	surub	bolt	ps701ks-1-15
16	brat regulator	arm governor	ps701ks-1-16
17	arc	spring throttle b	ps701ks-1-17
18	arc	spring throttle a	ps701ks-1-18
19	tija regulator	rod governor	ps701ks-1-19
20	surub	bolt	ps701ks-1-20
21	ansamblu acceleratie	throttle control assy	ps701ks-1-21
22	siguranta	pin	ps701ks-1-22
23	saiba	washer	ps701ks-1-23
24	ax regulator	shaft governor arm	ps701ks-1-24
25	rulment	bearing	ps701ks-1-25
26	surub	bolt	ps701ks-1-26
27	senzor ulei	oil sensor	ps701ks-1-27
28	bloc motor	crank case	ps701ks-1-28
29	saiba	washer	ps701ks-1-29
30	buson drenaj ulei	bolt drain plug	ps701ks-1-30
31	simering	oil seal	ps701ks-1-31
32	modul aprindere	coil assy ignition	ps701ks-1-32
33	surub	bolt	ps701ks-1-33
34	volanta	flywheel	ps701ks-1-34
35	ventilator	fan cooling	ps701ks-1-35
36	cuplaj	boot cup	ps701ks-1-36
37	piulita	piulita	ps701ks-1-37
39	ansamblu demaror	starter	ps701ks-1-39
40	surub	bolt	ps701ks-1-40
41	protectie	protection	ps701ks-1-41
42	ansamblu ax came	camshaft assy	ps701ks-1-42
43	arbore motor	crankshaft	ps701ks-1-43
44	ansamblu regulator	gear governor	ps701ks-1-44
45	joja	oil ruler	ps701ks-1-45
46	pin de ghidare	pin	ps701ks-1-46
47	rulment	bearing	ps701ks-1-47
48	garnitura carter	gasket	ps701ks-1-48
49	surub	bolt	ps701ks-1-49
50	seimering	oil seal	ps701ks-1-50
51	buson ulei	oil plug assy	ps701ks-1-51

Producător motoutilaje

Documentatie tehnică

52	capac carter	crank case cover	ps701ks-1-52
53	ansamblu biela	connecting rod	ps701ks-1-53
54	siguranta bolt	clip piston pin	ps701ks-1-54
55	bolt piston	pin piston	ps701ks-1-55
56	piston	piston	ps701ks-1-56
57	set segmenti	ring set	ps701ks-1-57
58	tachet	lefter valve	ps701ks-1-58
59	tija	rod push	ps701ks-1-59
60	supapa evacuare	valve ex	ps701ks-1-60
61	supapa admisie	valve in	ps701ks-1-61
62	bucsa ghidare	bush	ps701ks-1-62
63	chiulasa	head comp clinder	ps701ks-1-63
64	garnitura chiulasa	gasket cylinder	ps701ks-1-64
65	bujie	plug spark	ps701ks-1-65
66	toba esapament	muffler assy	ps701ks-1-66
67	piulita	nut	ps701ks-1-67
68	prezon	stud	ps701ks-1-68
69	garnitura evacuare	gasket	ps701ks-1-69
70	surub	bolt	ps701ks-1-70
71	arc supape	spring valve	ps701ks-1-71
72	simering supapa	valve guide oil seal	ps701ks-1-72
73	taler supape	spring seat for valve in and ex	ps701ks-1-73
74	pastila	ratator valve	ps701ks-1-74
75	placuta ghidaj	plate	ps701ks-1-75
76	ansamblu culbutori	arm valve rocker	ps701ks-1-76
77	garnitura capac culbutori	gasket	ps701ks-1-77
78	capac culbutori	cover comp head	ps701ks-1-78
79	surub	bolt	ps701ks-1-79
80	prezon	stud	ps701ks-1-80
81	garnitura izolator	gasket for air inlet	ps701ks-1-81
82	izolator	insulator	ps701ks-1-82
83	garnitura carburator	gasket carburetor	ps701ks-1-83
84	carburator	carburetor	ps701ks-1-84
85	garnitura filtru aer	gasket for air cleaner	ps701ks-1-85
86	ansamblu filtru aer	air cleaner	ps701ks-1-86
87	piulita	nut	ps701ks-1-87