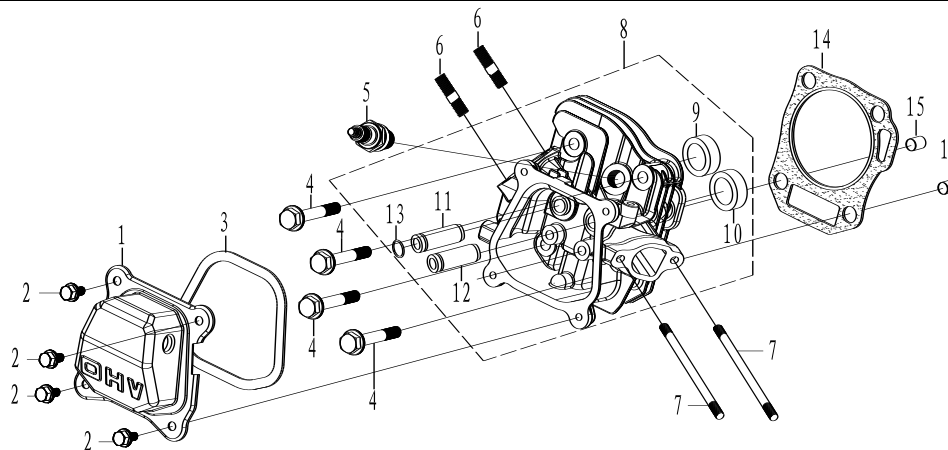
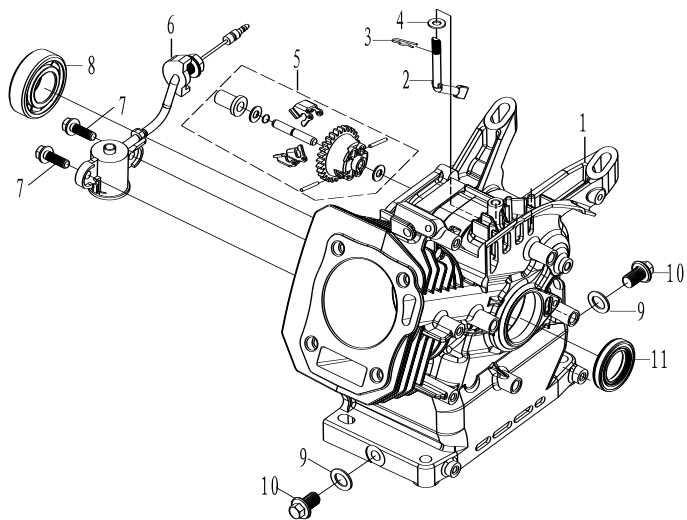


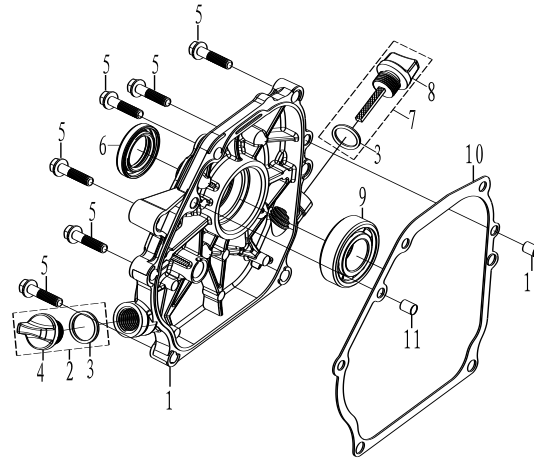
Motor 168F, 170F



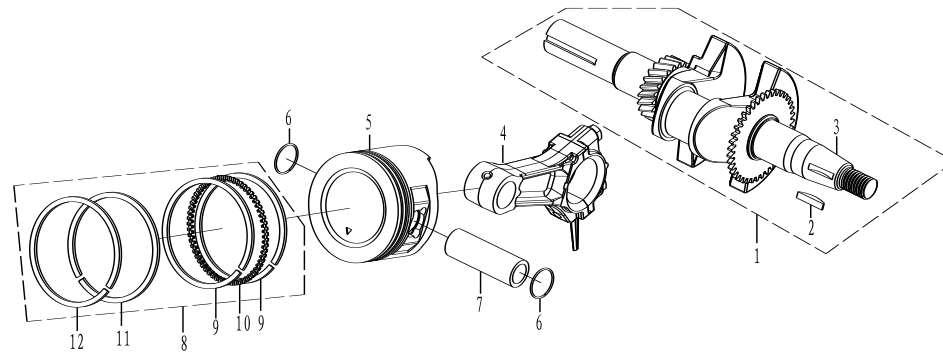
NO.	Cod comanda	Denumire	168FA/P D=68mm	170F/P D=70mm
1	11.003.015.0106	Capac culbutori	1	
	11.003.015.0151	Capac culbutori		1
2	GB/T5789 M6×16	Surub GB/T5789 M6×12	4	4
3	11.003.016.0101	Garnitura capac	1	
	11.003.016.0151	Garnitura capac		1
4	GB/T5789 M8×60	Surub GB/T5789 M8×60	4	4
5	11.008.009.0051	PLUG, SPARK F7TC	1	1
6	12.015.026.0001	Prezon M8×35	1	1
7	12.015.025.0001	Prezon M6×110	1	1
8	11.003.017.0052	Chiuloasa	1	
	11.003.017.0101	Chiuloasa		1
14	11.003.014.0151	Garnitura chiuloasa	1	
	11.003.014.0201	Garnitura chiuloasa		1
15	12.015.002.0070	Bolt ghidare $\phi 10 \times 16$	2	2



NO.	Cod comanda	Denumire	168FA/P	170F/P
1	11.005.022.0103	Carter cilindru	1	
	11.005.022.0204	Carter cilindru		1
2	11.012.002.0201	Brat regulator	1	1
3	11.012.004.0201	Siguranta	1	1
4	GB/T97 $\phi 6 \times \phi 13 \times 1$	Saiba plata $\phi 6 \times \phi 13 \times 1$	1	1
5	11.012.009.0202	Ansamblu regulator	1	1
6	11.005.010.0101	Senzor ulei	1	1
7	GB/T5789 M6×16	Surub M6×16	2	2
8	GB/T276 6205/P6	Rulment 6205	1	1
9	12.006.014.0202	Saiba $\phi 10 \times \phi 16 \times 1.5$	2	2
10	GB/T16674 M10×15	Surub golire ulei M10×15	2	2
11	12.016.002.0702	Simering $\phi 25 \times \phi 41.25 \times 6$	1	1

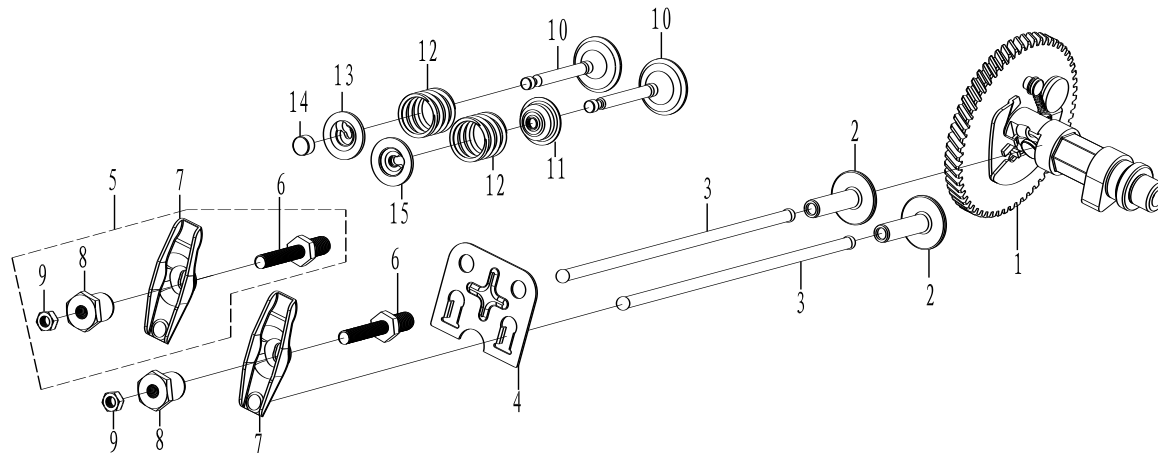


NO.	Cod comanda	Denumire	168FA/P	170F/P
1	11.005.018.0104	Capac Carter	1	1
2	11.005.013.0001	Ansamblu buson ulei	1	1
3		Garnitura	1	1
4		Buson	2	2
5	GB/T5789 M8×32	Surub M8×32	6	6
6	12.016.002.0702	Simering	1	1
7	11.005.009.0052	Ansamblu joja ulei	1	1
8		Joia ulei	1	1
9	12.009.001.0192	Rulment GB/T276/6205	1	1
10	11.005.021.0101	Garnitura carter	1	1
11	12.015.002.0051	Bolt centrare $\phi 8 \times 14$	2	2



NO.	Cod comanda	Denumire	168FA/P	170F/P
1	11.0006.014.0206	Ansamblu arbore	1	
	11.0006.014.0403	Ansamblu arbore		1
2		Pana semiluna	1	1
3		Arbore	1	
		Arbore		
		Arbore		1
4	11.006.007.0103	Ansamblu biela	1	
	11.006.007.0151	Ansamblu biela		1
5	11.006.003.0101	Piston	1	
	11.006.003.0201	Piston		1
6	11.006.006.0101	Siguranta bolt piston	2	2
7	11.006.005.0101	Bolt piston	1	1
8	11.006.004.0102	Set segmenti	1	
	11.006.004.0201	Set segmenti		1

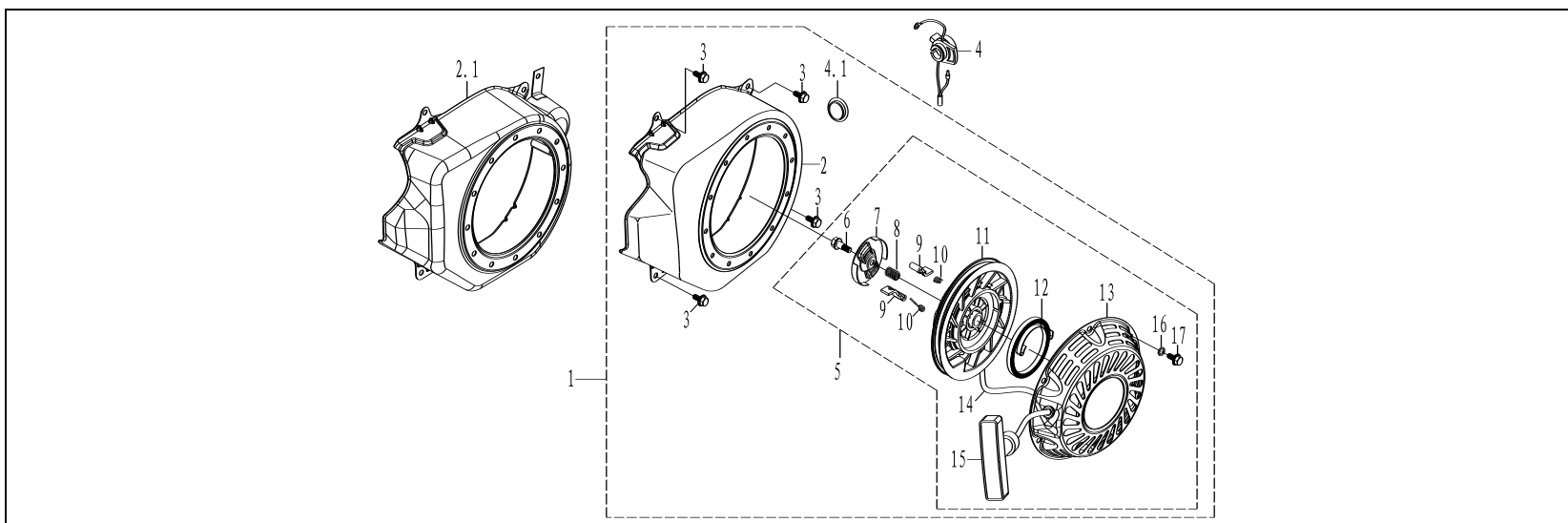
Motor 168F, 170F



NO.	Cod comanda	Denumire	168FA/P	170F/P
1	11.004.019.0101	Ansamblu ax came	1	
	11.004.019.0003	Ansamblu ax came		1
2	11.004.015.0101	Tachet	2	
	11.004.015.0151	Tachet		2
3	11.004.021.0051	Tija	2	2
4	11.004.022.0002	Placa ghidaj	1	1
5	11.004.017.0051	Ansamblu culbutor	2	2
6		Pivot	2	2
7		Culbutor	2	2
8		Piulita reglaj	2	2

9		Piulita blocare	2	2
10	11.004.002.0101	Supapa admisie	1	1

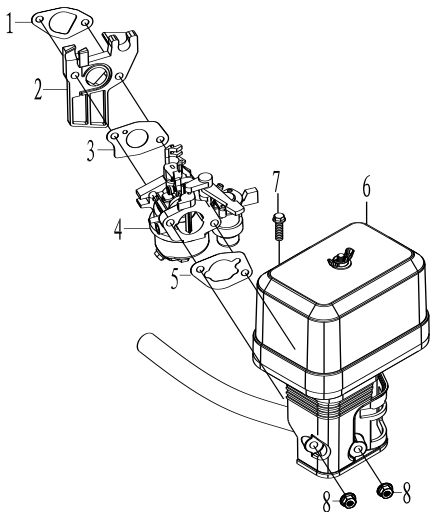
11	11.004.004.0101	Supapa evacuare	1	
	11.004.004.0151	Supapa evacuare		1
12	11.004.001.0051	Simering	1	1
13	11.004.009.0101	Arc supapa	2	2
14	11.004.003.0101	Taler admisie	1	1
15	11.004.005.0101	Taler evacuare	1	1
16	11.004.006.0051	Pastila	1	1



NO.	Cod comanda	Denumire	168FA/P	170F/P
1	11.007.009.0457	Ansamblu demaror+deflector	1	1
2		Deflector	1	1
3	12.002.012.0122	Surub M6*12	4	4
4	11.008.011.0001	Comutator start-stop	1	1

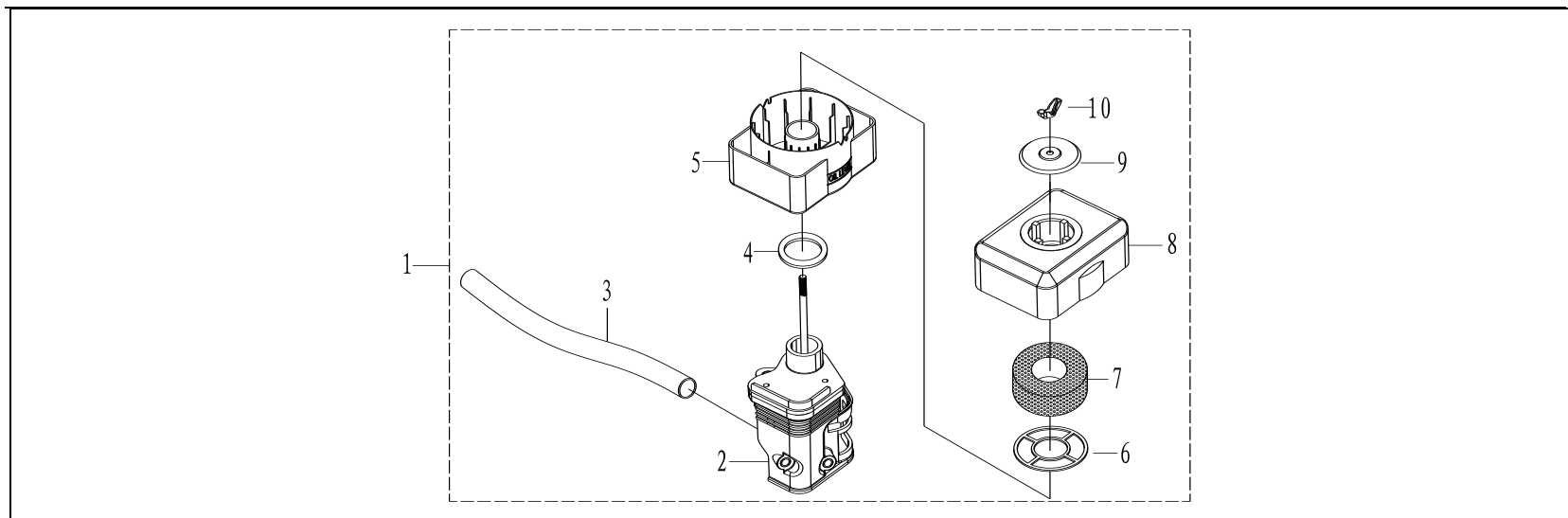
Motor 168F, 170F

4.1		Dop	1	1
5	11.007.009.0458	Demaror	1	1
	11.007.009.0468	Demaror 6500	1	1
	11.007.009.0468a	Demaror 7009	1	1
	11.007.009.0468d	Demaror forma D	1	1
6		Surub	1	1
7		Saiba ghidaj clicheti	1	1
8		Bolt	1	1
9		Clichet	2	2
10		Arc clichet	2	2
11		Rola demaror	1	1
12		Arc recuperator	1	1
13		Carcasa demaror	1	1
14		Sfoara demaror	1	1
15		Miner demaror	1	1
16	GB/T95 6	Saiba 6	3	3
17	GB/T16674.1 M6×10	Surub M6×10	3	3

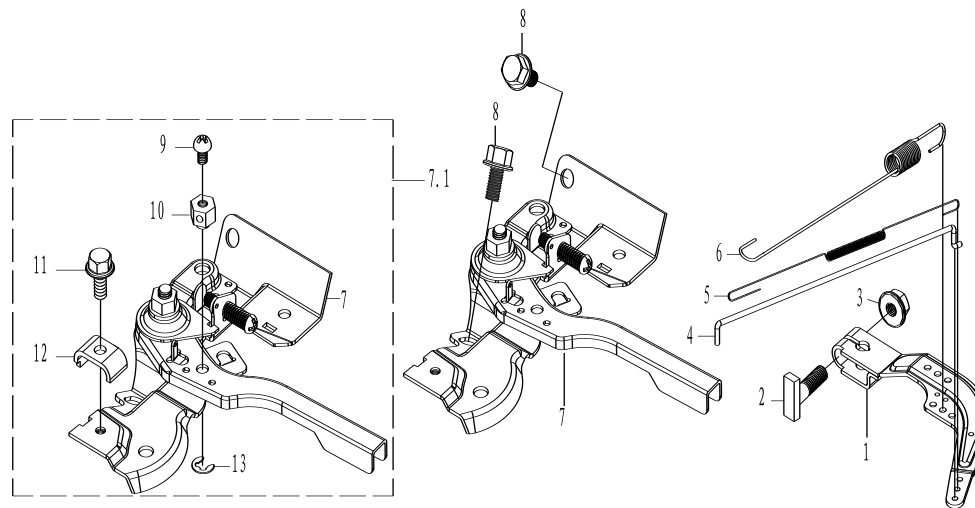


NO.	Part No.	English	168FA/P	170F/P
1	11.001.009.0031	Garnitura	1	1
2	11.001.004.0031	Izolator	1	1
3	11.001.005.0031	Garnitura	1	1
4	11.009.006.0101	Carburator	1	
	11.009.006.0202	Carburator		1
5	11.001.012.0021	Garnitura	1	1
6	11.001.016.0043	Ansamblu filtru aer	1	1
7	12.002.013.0180	Surub M6*22	1	1
8	12.001.005.0020	Piulita	2	2

Motor 168F, 170F



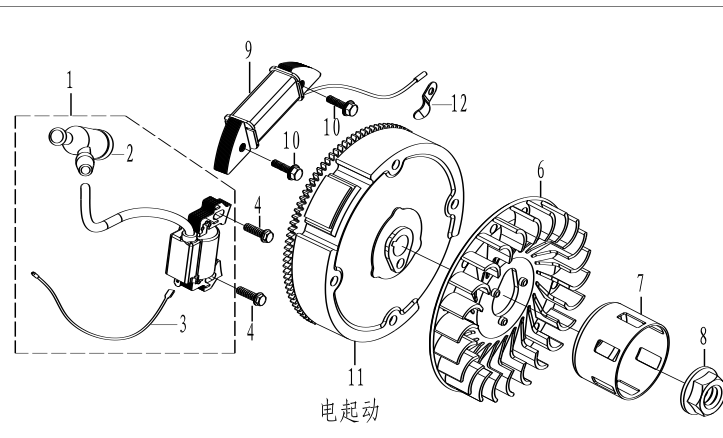
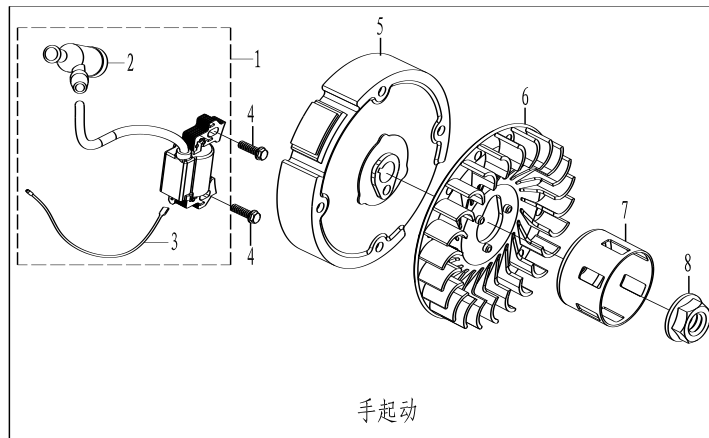
NO.	Cod comanda	Denumire	168FA/P	170F/P
1		Ansamblu filtru aer	1	1
2	11.001.016.0048	Suport filtru aer	1	1
3		Furtun epurator	1	1
4		Garnitura	1	1
5		Pahar	1	1
6		Gratar	1	1
7		Burete	1	1
7a	Ps7009-8-7	Cartus filtrant	1	1
8		Carcasa filtru aer	1	1
9		Saiba	1	1
10		Piulita fluture	1	1



NO.	Cod comanda	Denumire	168FA/P	170F/P
1	11.012.013.0201	Brat regulator	1	1
2	12.002.005.0030	Surub cap T	1	1
3	GB/T6177 M6	Piulita M6	1	1
4	11.012.018.0201	Tija regulator	1	1
5	11.012.020.0201	Arc regulator	1	1
6	11.012.010.0301	Arc acceleratie	1	1
7	11.012.023.0204	Ansamblu acceleratie	1	1
7.1	11.012.023.0202	Ansamblu acceleratie	1	1
8	GB/T5789 M6×12	Surub M6×12	2	2
9	GB/T818 M4×6	Surub M4×6	1	1
10			1	1
11	GB/T 29.2 5	Surub M5×16	1	1

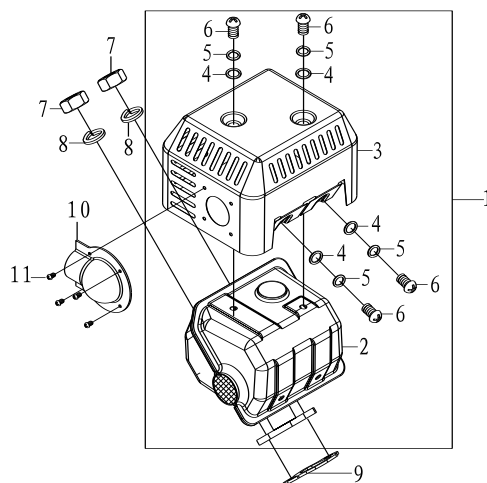
Motor 168F, 170F

12		Brida	1	1	
13	GB/T 896 5	Siguranta	1	1	

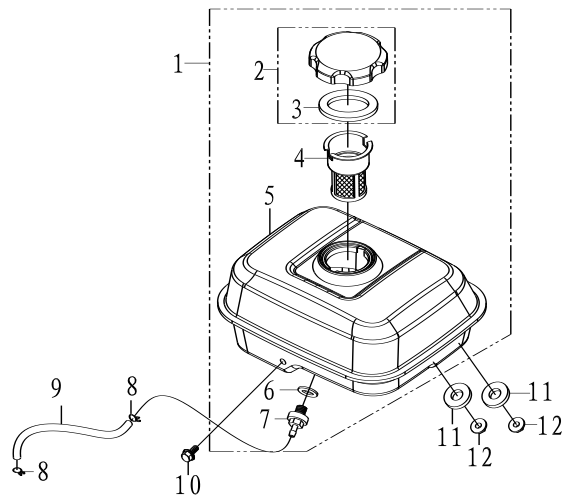


NO	Cod comanda	Denumire	168FA/P	170F/P
1	11.008.004.0101	Ansamblu modul aprindere	1	1
2		Pipa	1	1
3		Cablu	1	1
4	GB/T5789 M6×22	Surub M6×22	1	1
5	11.008.007.0101	Volanta	1	1
6	11.010.012.0101	Ventilator	1	1
7	11.007.006.0101	Antrenor	1	1
8	GB/T6177 M14*1.5	Piulita M14×1.5	2	2
9		Bobina incarcare	1	1
10	GB/T5789 M6×25	Surub M6×25	2	2
11		Volanta	1	1
12		Brida	1	1

Motor 168F, 170F

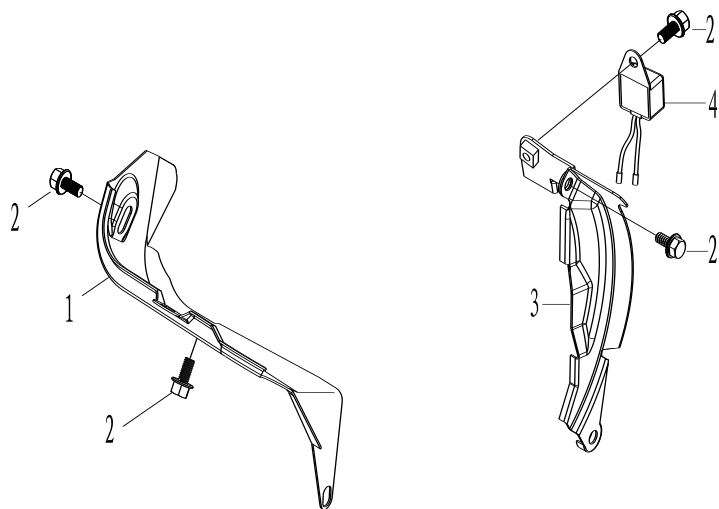


NO.	Cod comanda	Denumire	168FA/P	170F/P
1	11.002.011.0156	Ansamblu toba esapament	1	1
2		Toba esapament	1	1
3		Protectie toba	1	1
4	GB/T848 5	Saiba 5	4	4
5	GB/T93 5	Saiba elastica 5	4	4
6	GB/T818 M5×12	Surub M5×12	4	4
7	GB/T6170 M8	Piulita M8	1	1
8	GB/T93 8	Saiba elastica 8	2	2
9	11.002.004.0051	Garnitura toba	1	1
10		Dirijor gaze	1	1
11	GB/T845 ST4.2×5	Surub ST4.2×5	4	4



NO.	Cod comanda	Denumire	168FA/P	170F/P
1	11.009.034.0716	Ansamblu rezervor	1	1
2		Ansamblu buson rezervor	1	1
3		Garnitura	1	1
4		Sita	1	1
5		Rezervor	1	1
6		Garnitura	1	1
7		Racord filtru	1	1
8	11.009.023.0001	Suguranta furtun	2	2
9	11.009.005.0051	Furtun	1	1
10	GB/T5789 M6×25	Surub M6×25	1	1
11	11.009.029.0003	Saiba	1	1
12	GB/T6177 M6	Piulita M6	1	1

Motor 168F, 170F



NO.	Cod comanda	Denumire	168FA/P	170F/P
1	11.010.001.0102	Scut ventilatie	1	1
2	GB/T5789 M6×12	Surub M6×12	4	4
3	11.005.017.0053	Placa	1	1
4	11.008.003.0001	Condensator	1	1