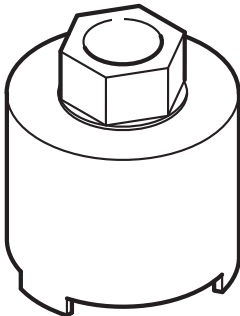
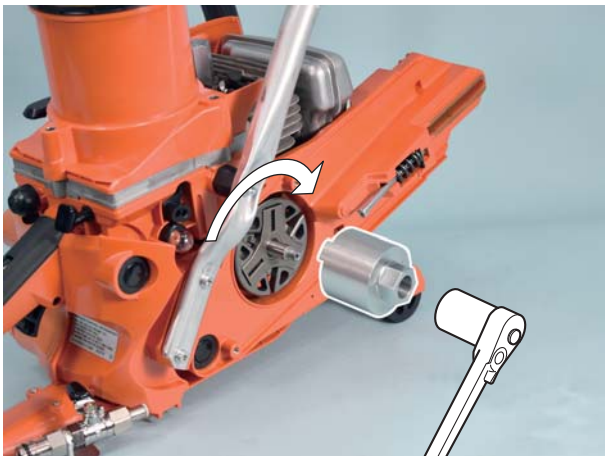


SUBJECT: Clutch tool for new clutch assembly

Number: Y2019-663
Issued: Feb. 28, 2019

Clutch tool is introduced for removing and installing clutch assembly.	
	Service tool
Clutch tool	X640-000560 

Removing clutch assembly using Clutch tool X640-000560



1. Install piston stopper X644-000020 in spark plug hole to stop crankshaft rotation.
2. Rotate clutch assembly clockwise by hand until it cannot be rotated further.
3. Loosen clutch assembly (Left-hand thread) rotating clockwise with Clutch tool X640-000560 as shown.

Usable for: ECHO CSG-7410ES and shindaiwa EC741S