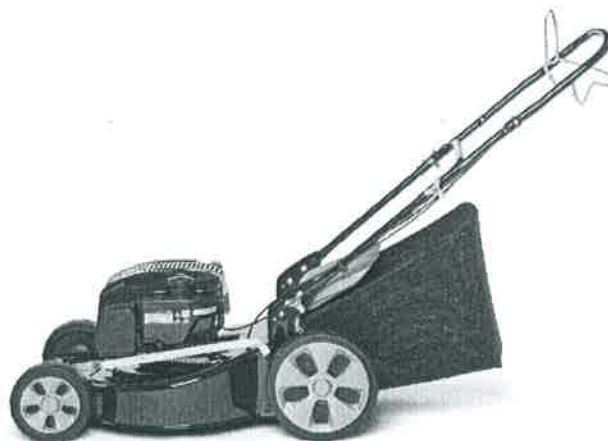


ALPINA

BL 510 SBQ (2019)

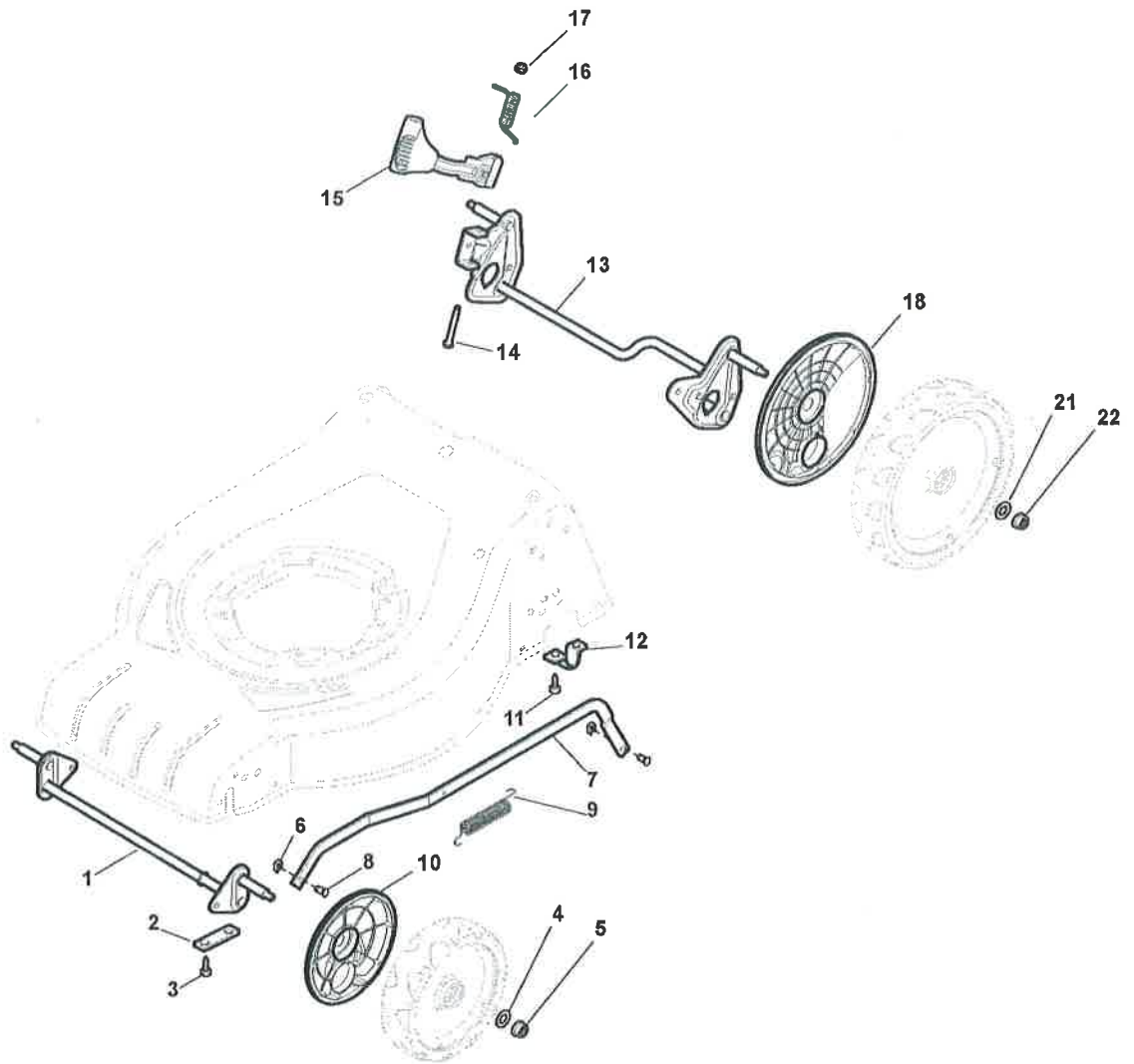
295546824/A16



Spare parts list
Reservdelar
Repuestos
Ersatzteile
Pièces détachées
Reserve onderdelen
Catalogo ricambi

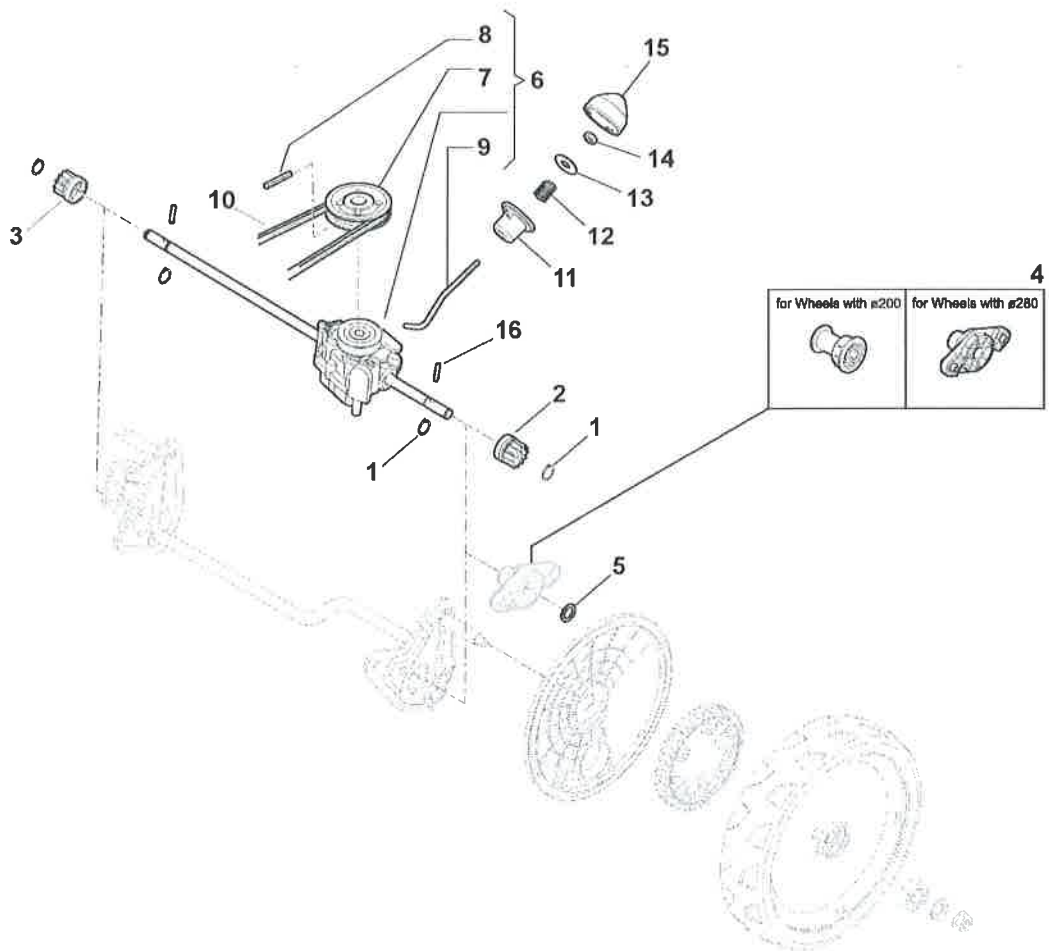
- Use ST. S.p.A. Genuine Spare Parts specified in the parts list for repair and/or replacement.
- The contents described in the parts list may change due to improvement.
- The drawings of the spare parts are only indicative And might Not represent the part in question exactly.
- The indications "right" - "left" - "front" - "rear" refer to the position of the operator when using the machine.
- When placing orders of parts for repair And/Or replacement, make sure that the illustrated parts list Is the one applying to the machine's year of manufacture, as shown on the identification plate attached to the machine.

All rights reserved. No part Of this material may be reproduced Or transmitted, in any form Or by any means, electronic Or mechanical, including photocopying, recording Or by any information storage And retrieval system, without permission in writing from ST. S.p.A.



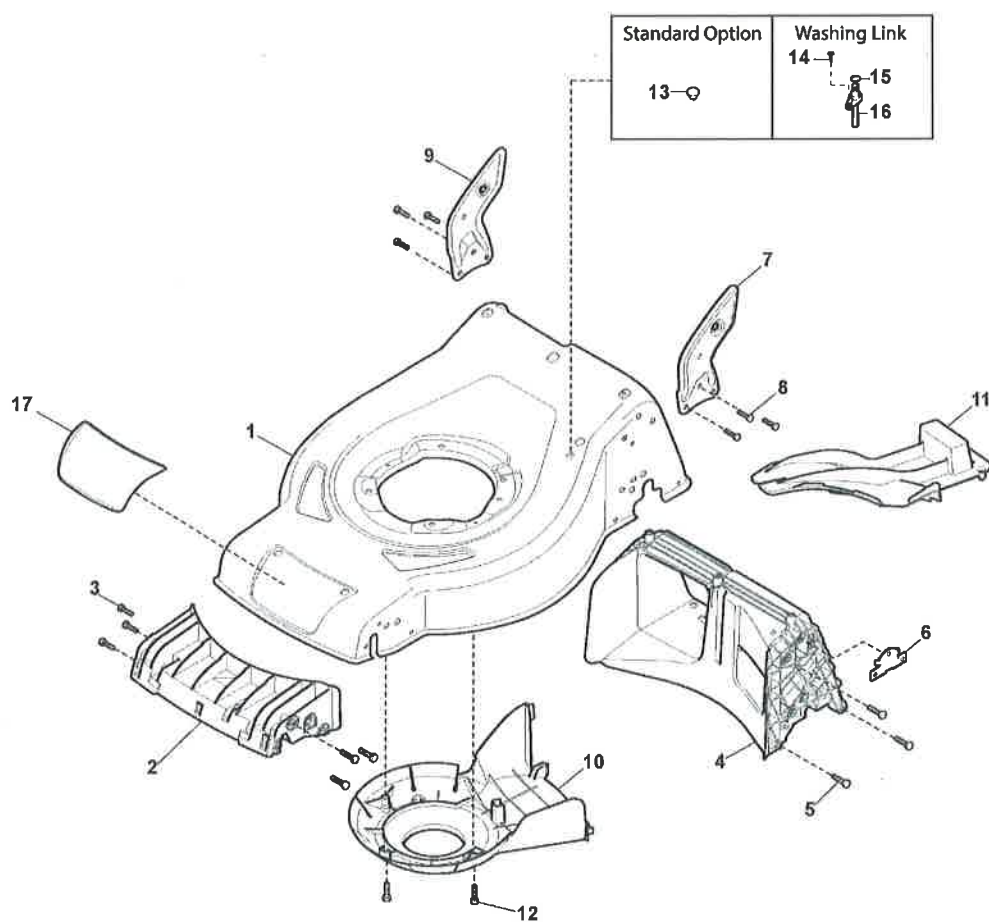
Height Adjusting

Zn. c.	Množ.	Kód výrobku	Popis	Poznámky	From	Až do
1	1	381302853/0	Front Wheel Axle			
2	2	322545142/0	Plate			
3	4	112728698/0	Screw			
4	2	112521350/0	Washer			
5	2	112155000/0	Nut			
6	2	112436051/0	Plate			
7	1	322869679/0	Rod, Height Adjustment			
8	2	122519823/0	Pin			
9	1	122446193/0	Spring			
10	2	322600145/0	Protection, Wheel	D. 200		
11	4	112728698/0	Screw			
12	2	322545152/0	Plate			
13	1	381302849/0	Rear Wheel Axle			
14	1	122534131/0	Pin			
15	1	381003458/0	Wheels Rear Adj. Lever			
16	1	122446192/0	Spring			
17	1	112154510/0	Nut			
18	2	322600240/0	Protection, Wheel			
21	2	112521350/0	Washer			
22	2	112155000/0	Nut			



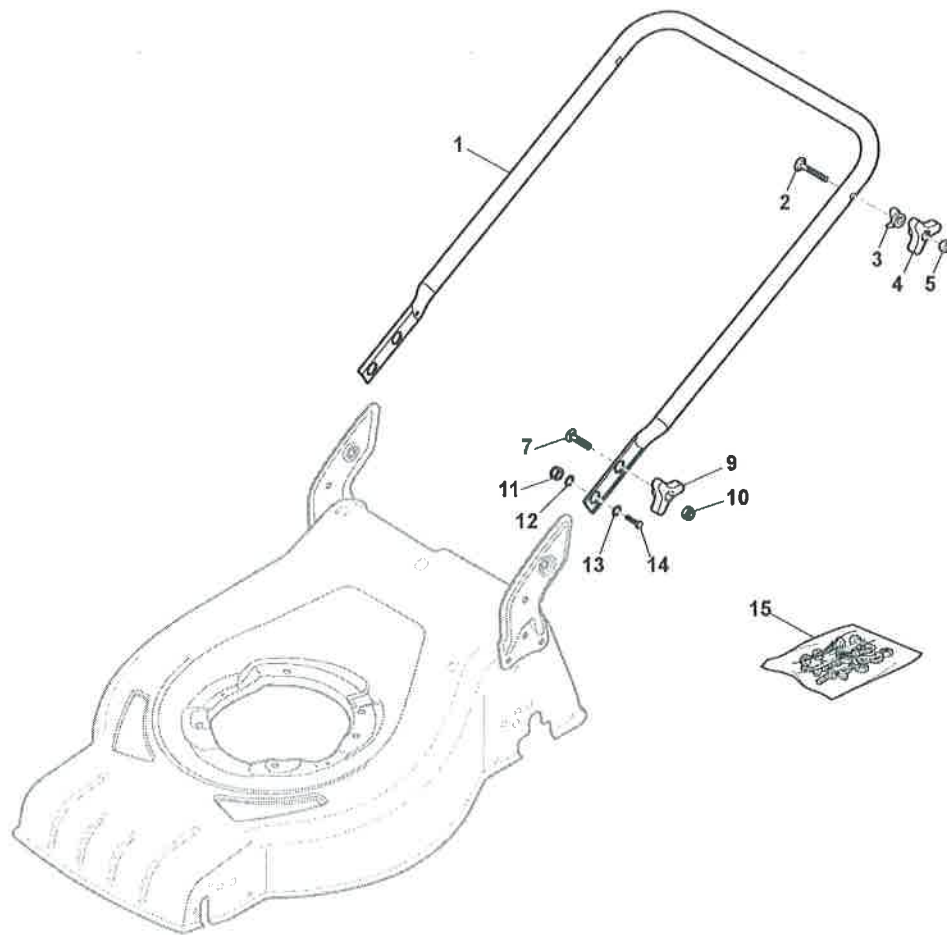
Transmission

Zn. c.	Množ.	Kód výrobku	Popis	Poznámky	From	Až do
1	4	112608600/0	Seeger			
2	1	122570134/0	Left Pinion			
3	1	122570133/0	Right Pinion			
4	2	322042067/0	Bushing			
5	2	112521371/0	Washer			
6	1	181003092/0	Gear Box			
7	1	122601904/0	Pulley	To 31-august-2013		
7	1	122601909/0	Pulley	From 01-september-2013		
8	1	112645700/0	Elastic Pin			
9	1	122033283/0	Adjustment Rod			
10	1	135064196/0	Belt			
11	1	122041957/1	Bushing			
12	1	122450063/0	Spring			
13	1	322680009/0	Washer			
14	1	112154510/0	Nut			
15	1	122110230/0	Hub Cover			
16	2	122753000/0	Pin			



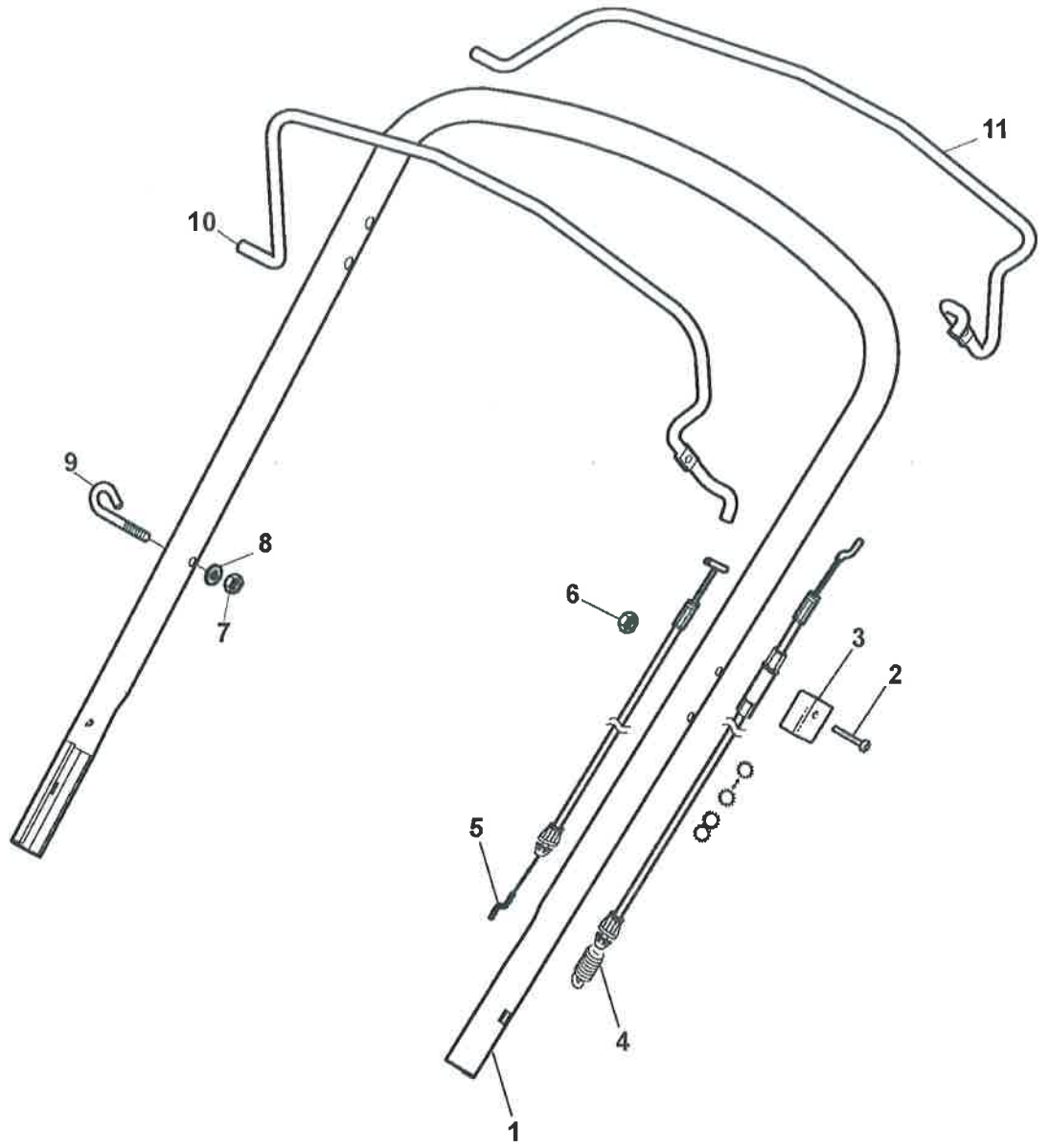
Deck

Zn. c.	Množ.	Kód výrobku	Popis	Poznámky	From	Až do
1	1	381004941/0	Red Deck	To replace the old chassis is necessary to order also pos.17;To 31-august-2018		
1	1	381004941/1	Red Deck Side Discharge	From 01-september-2018		
2	1	322108308/1	Rear Conveyor Assy			
3	6	112728699/0	Screw			
4	1	322108302/0	Rear Conveyor Assy	To 31-august-2017		
4	1	322108392/0	Rear Conveyor Assy	From 01-septemr-2018		
5	6	112728699/0	Screw			
6	2	322545213/0	Plate			
7	1	381005167/1	Left Bracket			
8	6	112727801/0	Screw			
9	1	381005165/1	Right Bracket			
10	1	322060250/1	Belt Protection			
11	1	322140244/1	Mulching Deflector			
12	2	112728531/0	Screw			
13	1	322820077/1	Cap			
14	1	112728450/0	Screw			
15	1	119035000/0	Or Ring			
16	1	322034002/0	Washing Connection			
17	1	322055606/0	Insert	Black		



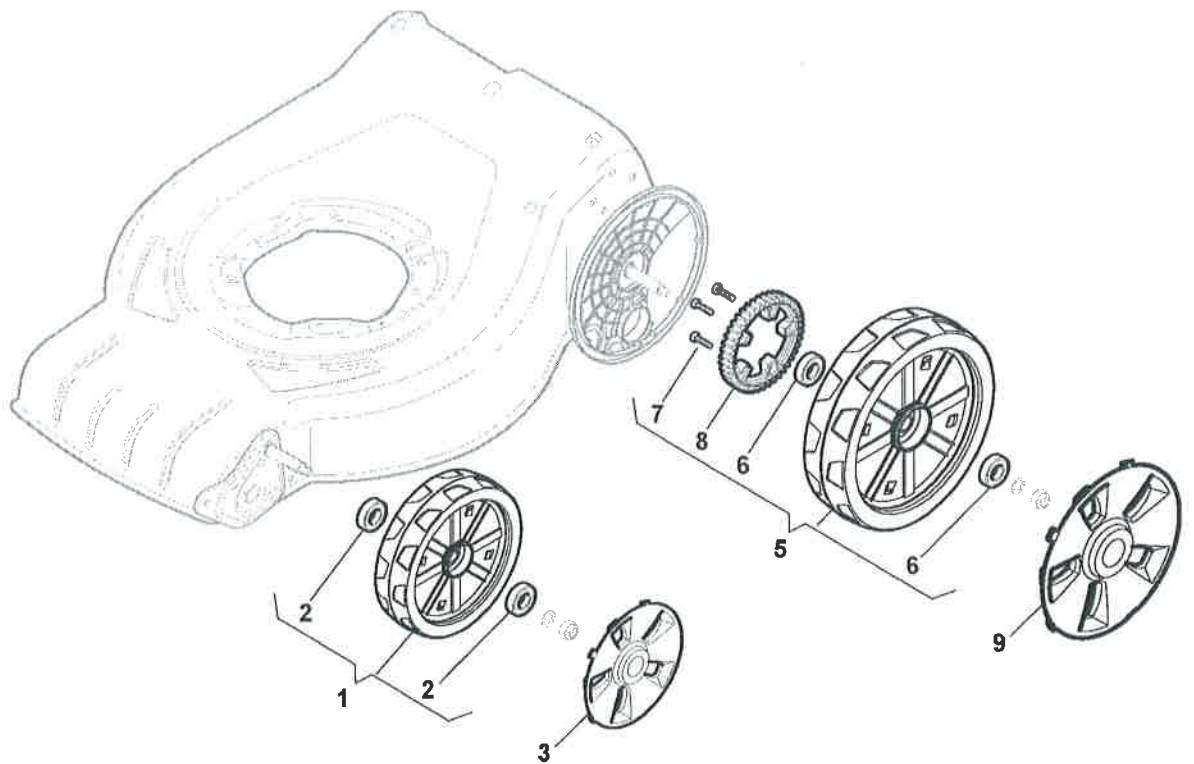
Handle, Lower Part

Zn. c.	Množ.	Kód výrobku	Popis	Poznámky	From	Až do
1	1	381006785/0	Handle Lower Part	Black		
2	2	112819110/0	Screw			
3	2	122671651/0	Washer			
4	2	322399840/0	Yellow Knob	Yellow		
5	2	112293200/0	Nut			
7	2	112818900/0	Screw			
9	2	322399840/0	Yellow Knob	Yellow		
10	2	112293200/0	Nut			
11	2	112155000/0	Nut			
12	2	112521350/0	Washer			
13	2	112369500/0	Elastic Washer			
14	2	112760605/0	Screw			
15	1	381008692/0	Outfit, Screws	Yellow		



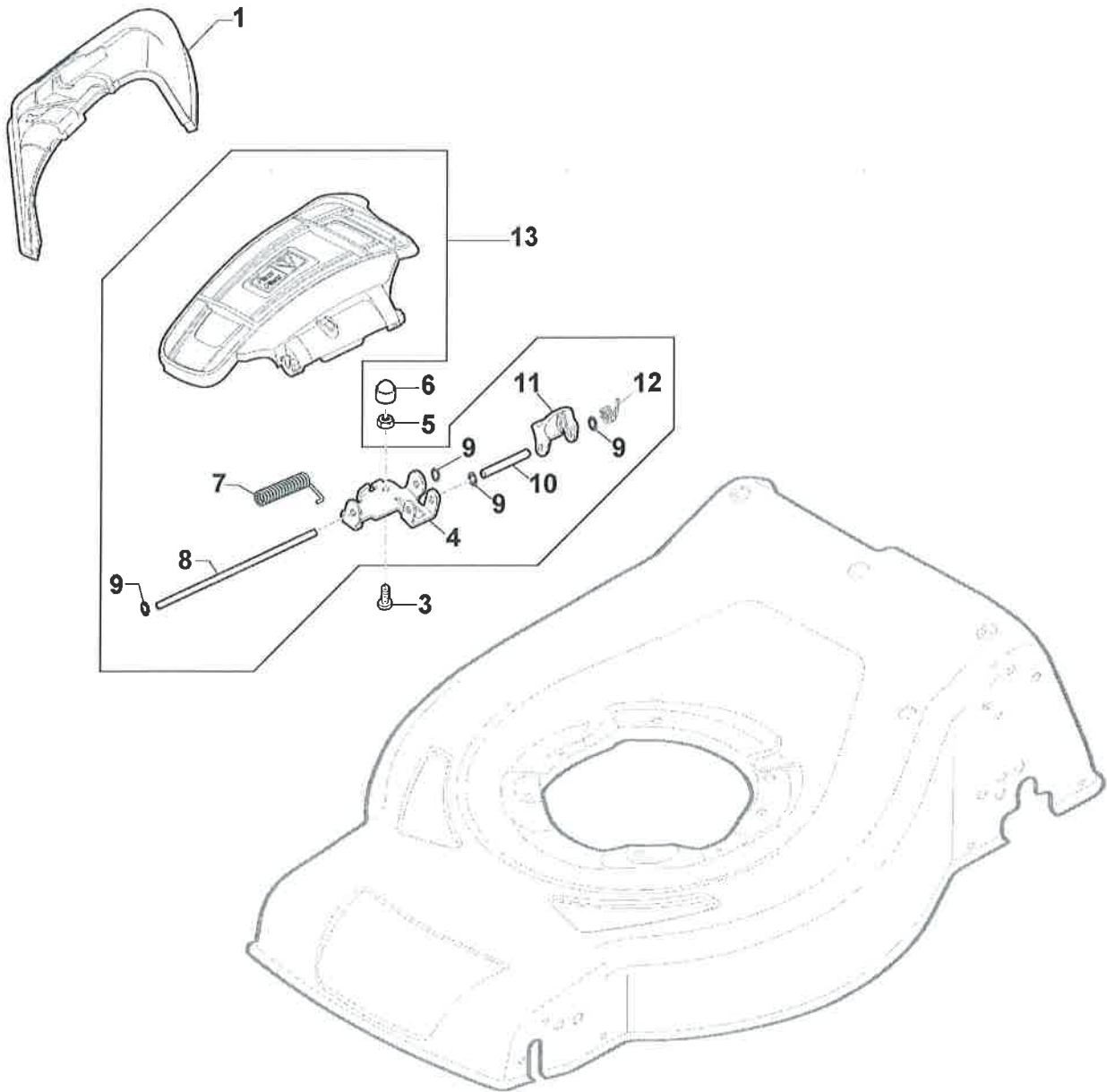
Handle, Upper Part

Zn. c.	Množ.	Kód výrobku	Popis	Poznámky	From	Až do
1	1	381006740/0	Handle, Upper Part			
2	1	112727783/0	Screw			
3	1	322551640/0	Plate			
4	1	381030085/0	Cable Rear Drive			
5	1	181030089/0	Cable, Thread Engine Brake			
6	1	112154510/0	Nut			
7	1	112154510/0	Nut			
8	1	112521330/0	Washer			
9	1	122430313/0	Guide Spring			
10	1	381003394/0	Lever, Engine Brake Yellow			
11	1	381003395/0	Lever, Driving Yellow			



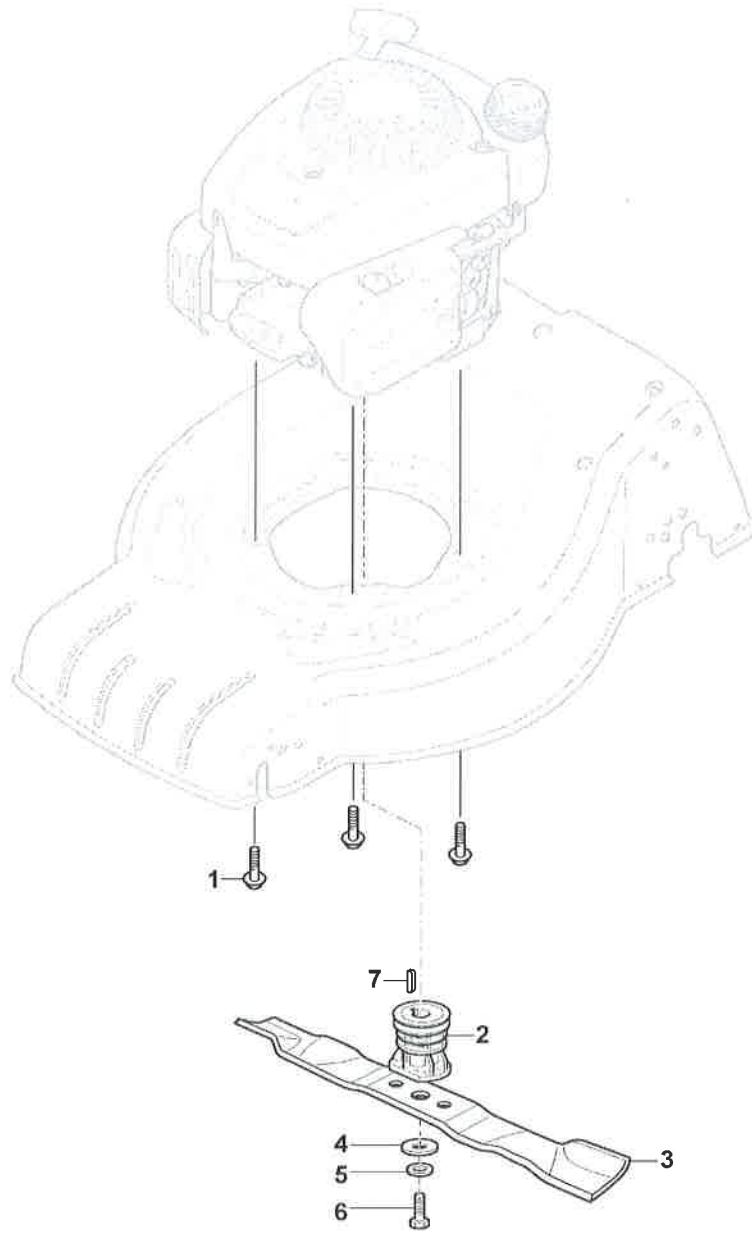
Wheels and Hub Caps

Zn. c.	Množ.	Kód výrobku	Popis	Poznámky	From	Až do
1	2	381007483/1	Wheel			
2	4	119216035/0	Bearing			
3	2	322110643/0	Hub Cap Grey			
5	2	381007479/1	Wheel			
6	4	119216035/0	Bearing			
7	6	112728706/0	Screw			
8	2	322120115/0	Wheels Crown			
9	2	322110644/0	Hub Cap Grey			



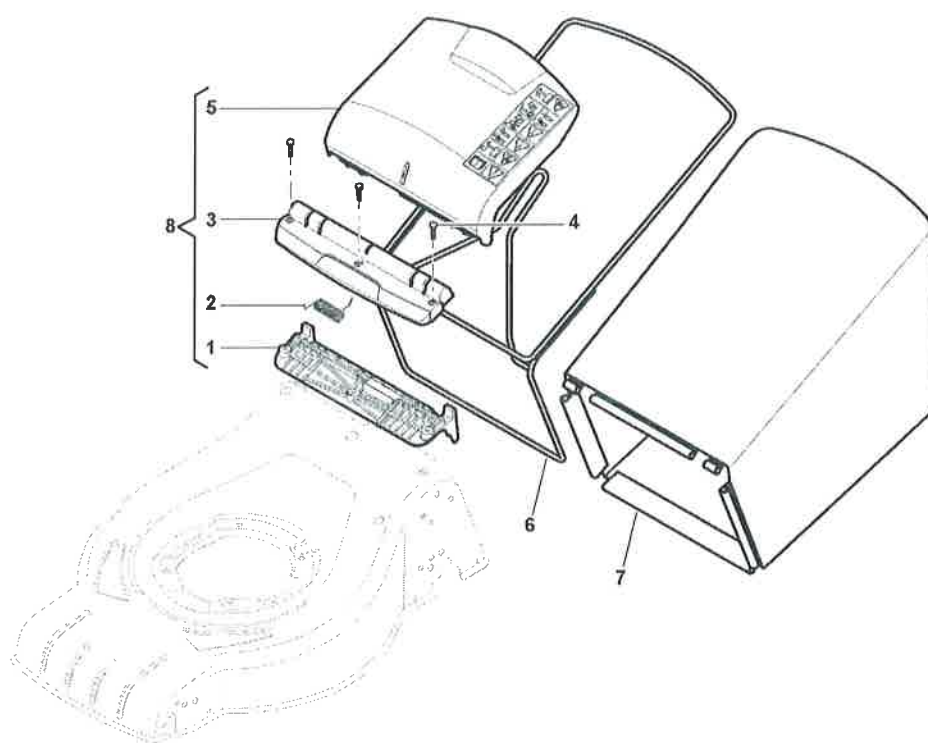
Ejection-Guard

Zn. c.	Množ.	Kód výrobku	Popis	Poznámky	From	Až do
1	1	322108309/1	Rear Conveyor Assy	Black		
3	2	112727803/0	Screw			
4	1	322806659/0	Fulcrum Pin			
5	2	112154510/0	Nut			
6	2	118203853/0	Cap			
7	1	122450456/0	Spring	To 30-november-2018		
7	1	122450456/1	Spring	From 01-december-2018		
8	1	122517869/1	Pin			
9	4	112604896/0	Crown Fastener			
10	1	122517876/0	Pin			
11	1	322783013/0	Safety Button			
12	1	122450493/0	Spring			
13	1	381008161/0	Stone Guard Side Discharge Assy	To 30-november-2018		
13	1	381008161/1	Stone Guard Side Discharge Assy	From 01-december-2018		



Blade

Zn. c.	Množ.	Kód výrobku	Popis	Poznámky	From	Až do
1	3	112735108/1	Screw			
2	1	122465607/4	Hub With Pulley, Crankshaft Ø 22.2			
3	1	181004462/0	Blade			
4	1	322680021/0	Washer			
5	1	112508128/0	Elastic Disc			
6	1	112735698/0	Screw			
7	1	112139100/0	Key			



Grass-Catcher

Zn. c.	Množ.	Kód výrobku	Popis	Poznámky	From	Až do
1	1	322785331/0	Black Stone Guard Support			
2	1	122450464/0	Spring			
3	1	322109556/0	Stone Guard Supp. Cover Yellow	Yellow		
3	1	322109557/0	Stone Guard Supp. Cover Grey	Grey		
4	3	112728699/0	Screw			
5	1	322600206/1	Stone Guard, Black	Black		
5	1	322600214/1	Stone Guard, Yellow	Yellow		
5	1	322600216/1	Stone Guard, Grey	Grey		
6	1	181006409/0	Textile Grasscatcher Frame			
7	1	181002319/0	Textile Grasscatcher Black			
8	1	381008163/0	Stone Guard Assy, Black	Black		
8	1	381008164/0	Stone Guard Assy, Yellow	Yellow		
8	1	381008166/0	Stone Guard Assy, Grey	Grey		