

ALPINA

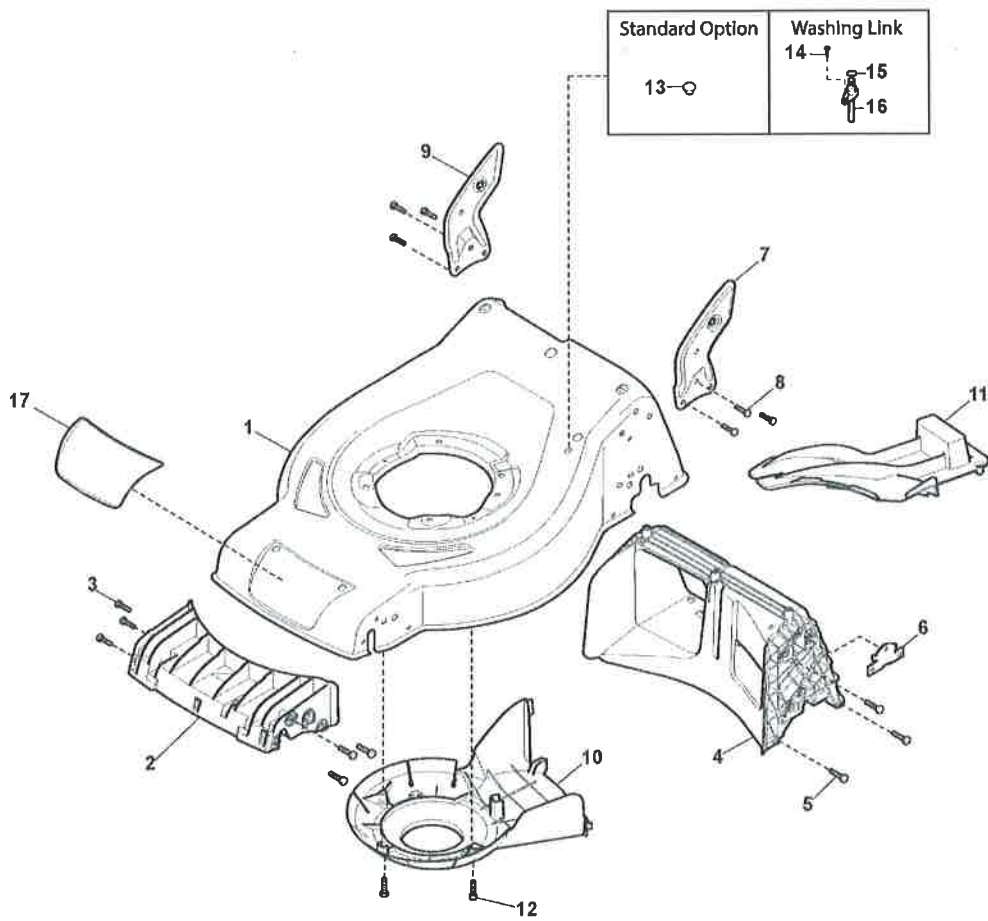
BL 460 SH (2019)

295492034/A19

Spare parts list
Reservdelar
Repuestos
Ersatzteile
Pièces détachées
Reserve onderdelen
Catalogo ricambi

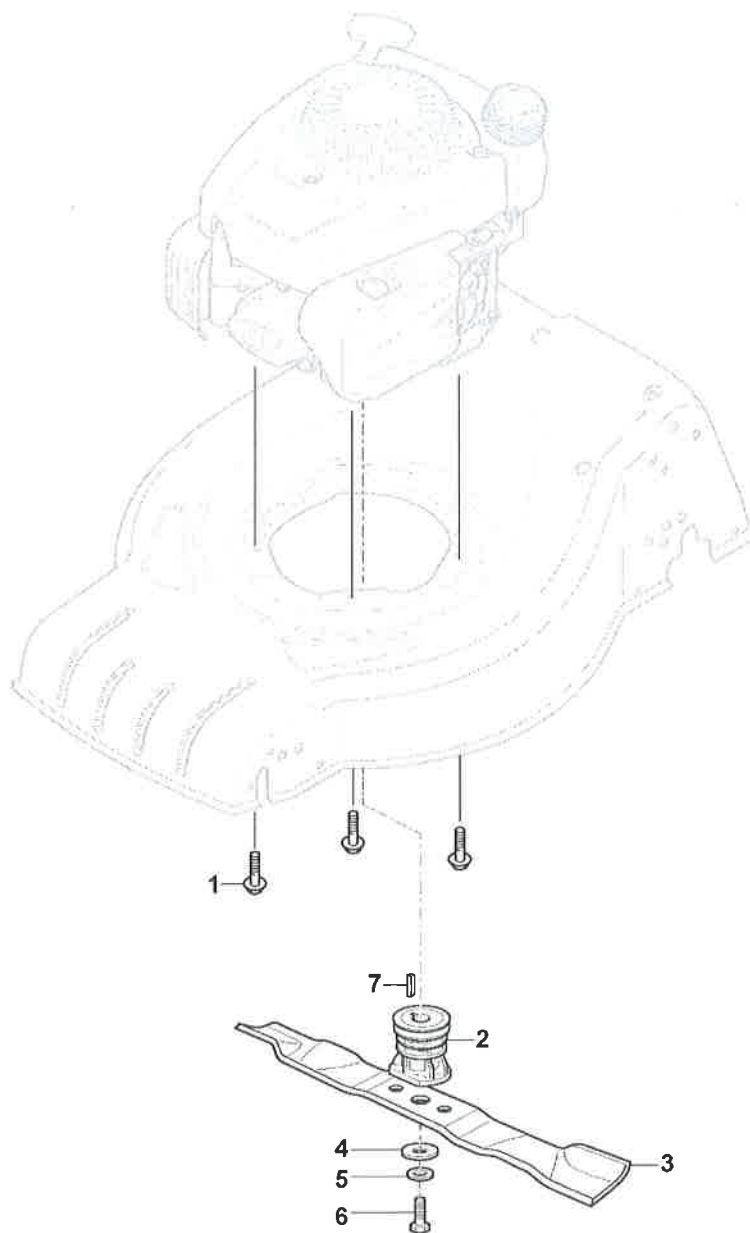
- Use ST. S.p.A. Genuine Spare Parts specified in the parts list for repair and/or replacement.
- The contents described in the parts list may change due to improvement.
- The drawings of the spare parts are only indicative And might Not represent the part in question exactly.
- The indications "right" - "left" - "front" - "rear" refer to the position of the operator when using the machine.
- When placing orders of parts for repair And/Or replacement, make sure that the illustrated parts list Is the one applying to the machine's year of manufacture, as shown on the identification plate attached to the machine.

All rights reserved. No part Of this material may be reproduced Or transmitted, in any form Or by any means, electronic Or mechanical, including photocopying, recording Or by any information storage And retrieval system, without permission in writing from ST. S.p.A.



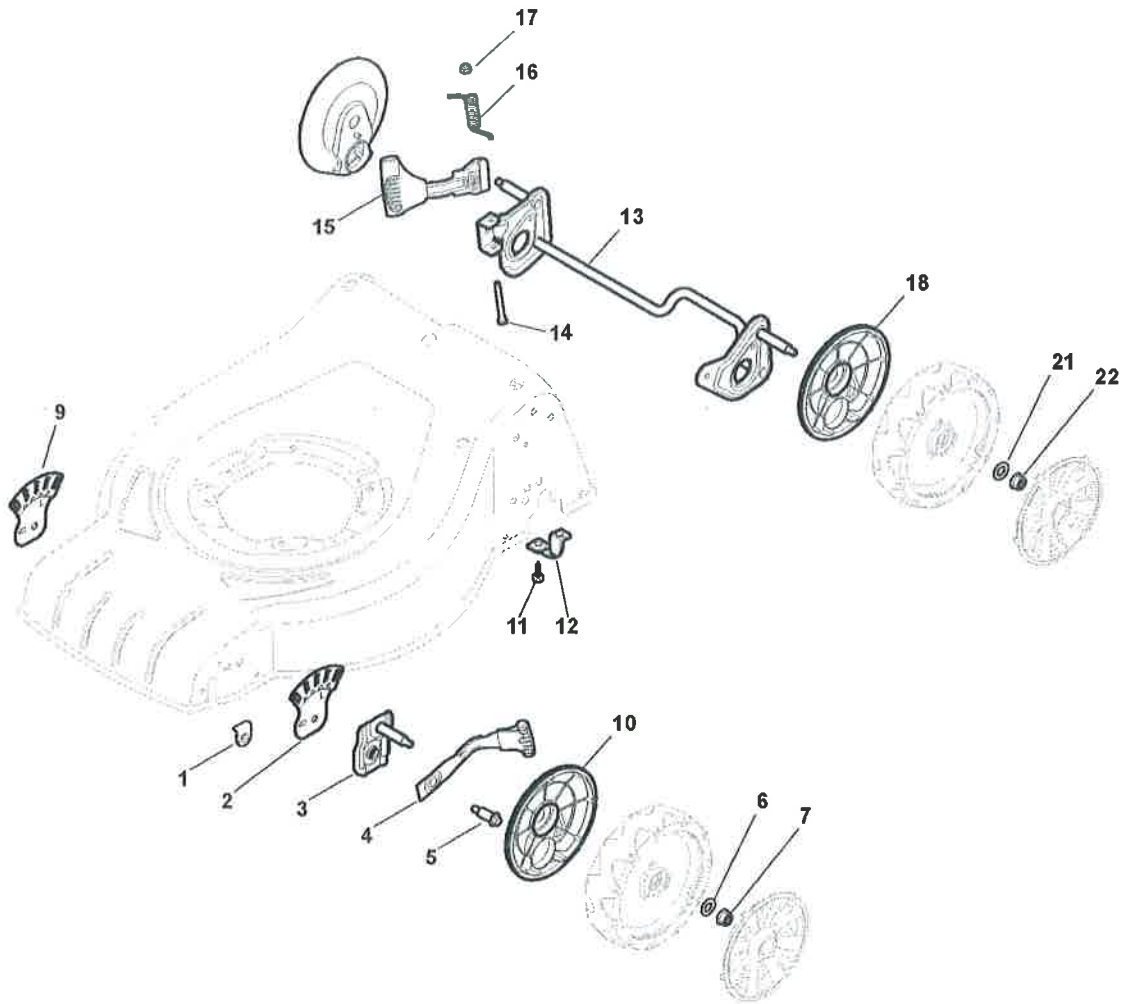
Deck

Zn. c.	Množ.	Kód výrobku	Popis	Poznámky	From	Až do
1	1	381004947/0	Black Deck	To replace the old chassis is necessary to order also pos.17		
2	1	322108301/2	Front Conveyor Assy			
3	6	112728699/0	Screw			
4	1	322108302/0	Rear Conveyor Assy	To 31-august-2017		
4	1	322108392/0	Rear Conveyor Assy	From 01-septemr-2018		
5	6	112728699/0	Screw			
6	2	322545213/0	Plate			
7	1	381005139/0	Left Bracket			
8	6	112727801/0	Screw			
9	1	381005137/0	Right Bracket			
10	1	322060242/1	Belt Protection	To 31-august-2018		
10	1	322060242/2	Belt Protection	From 01-septemr-2018		
11	1	322140239/1	Mulching Deflector			
12	2	112728531/0	Screw			
13	1	322820077/1	Cap			
14	1	112728450/0	Screw			
15	1	119035000/0	Or Ring			
16	1	322034002/0	Washing Connection			
17	1	322055605/0	Insert	Black		



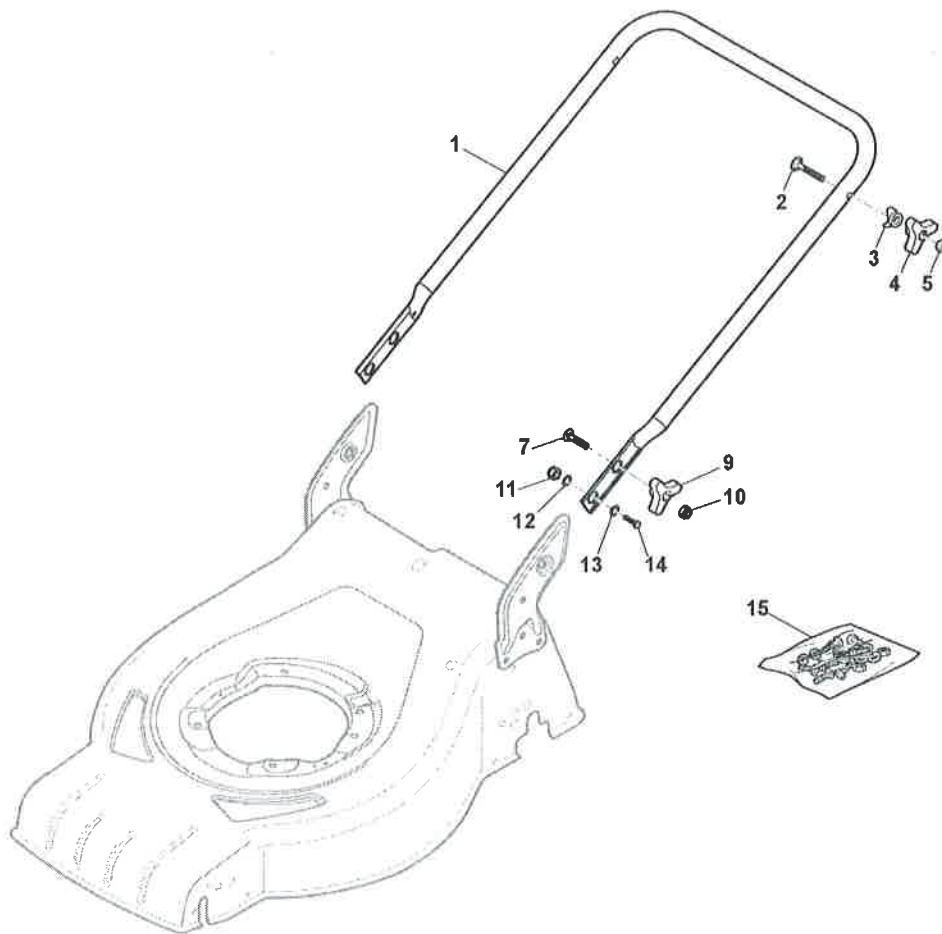
Blade

Zn. c.	Množ.	Kód výrobku	Popis	Poznámky	From	Až do
1	3	112735108/1	Screw			
2	1	122465608/3	Hub With Pulley, Crankshaft Ø 25			
3	1	181004346/3	Blade			
3	1	181004459/0	Blade			
4	1	122160400/0	Elastic Disc			
5	1	112523080/0	Washer			
6	1	112735698/0	Screw			
7	1	112139150/0	Feather, Crankshaft Ø 25			



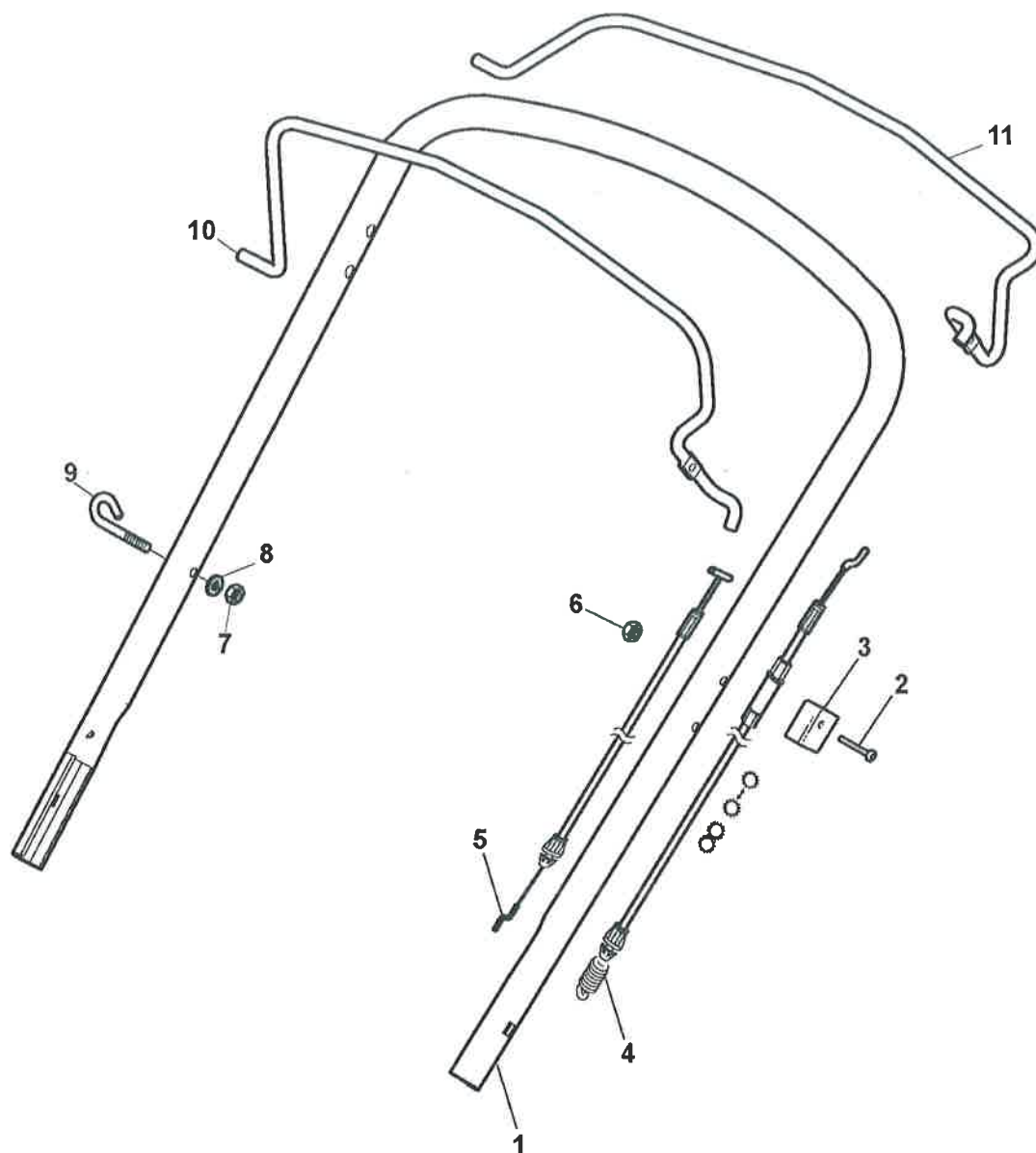
Height Adjusting

Zn. c.	Množ.	Kód výrobku	Popis	Poznámky	From	Až do
1	2	322545189/0	Plate			
2	1	322735597/0	Sector, Height Adjustment Left	To 31-august-2011		
2	1	322735597/1	Sector, Height Adjustment	From 01-september-2011		
3	2	381005141/0	Wheel Support	To 31-august-2016		
3	2	381005159/0	Wheel Support	From 01-september-2016		
4	2	381003354/0	Lever, Height Adjustment			
5	2	122519811/0	Pin			
6	2	112521350/0	Washer			
7	2	112155000/0	Nut			
9	1	322735595/0	Sector, Height Adjustment Right	To 31-august-2011		
9	1	322735595/1	Sector, Height Adjustment	From 01-september-2011		
10	2	322600247/0	Protection, Wheel	D. 180		
11	4	112728698/0	Screw			
12	2	322545152/0	Plate			
13	1	381302819/0	Rear Wheel Axle			
14	1	122534131/0	Pin			
15	1	381003356/0	Wheels Rear Adj. Lever			
16	1	122446192/0	Spring			
17	1	112154510/0	Nut			
18	2	322600204/0	Internal Wheel Protection			
21	2	112521350/0	Washer			
22	2	112155000/0	Nut			



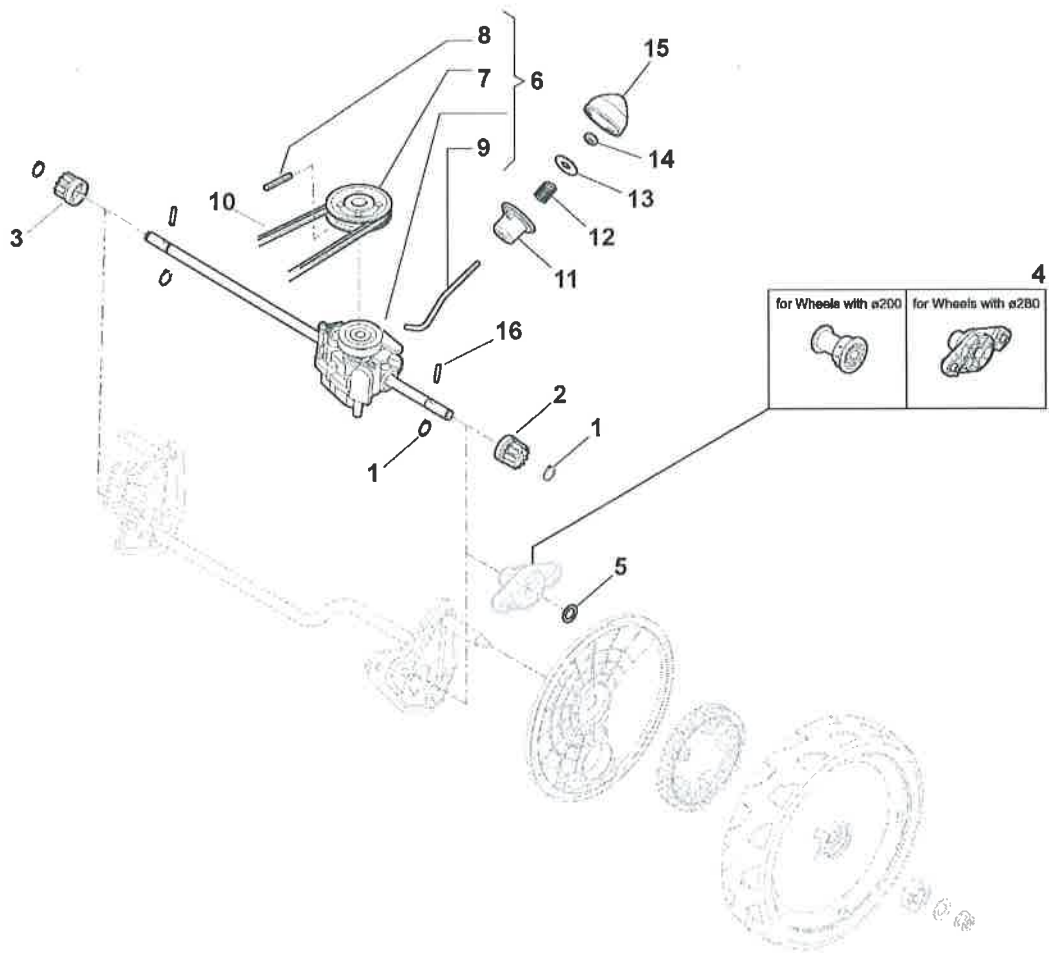
Handle, Lower Part

Zn. c.	Množ.	Kód výrobku	Popis	Poznámky	From	Až do
1	1	381006737/0	Handle Lower Part	Black		
2	2	112819110/0	Screw			
3	2	122671651/0	Washer			
4	2	322399840/0	Yellow Knob	Yellow		
5	2	112293200/0	Nut			
7	2	112818900/0	Screw			
9	2	322399840/0	Yellow Knob	Yellow		
10	2	112293200/0	Nut			
11	2	112155000/0	Nut			
12	2	112521350/0	Washer			
13	2	112369500/0	Elastic Washer			
14	2	112760605/0	Screw			
15	1	381008692/0	Outfit, Screws	Yellow		



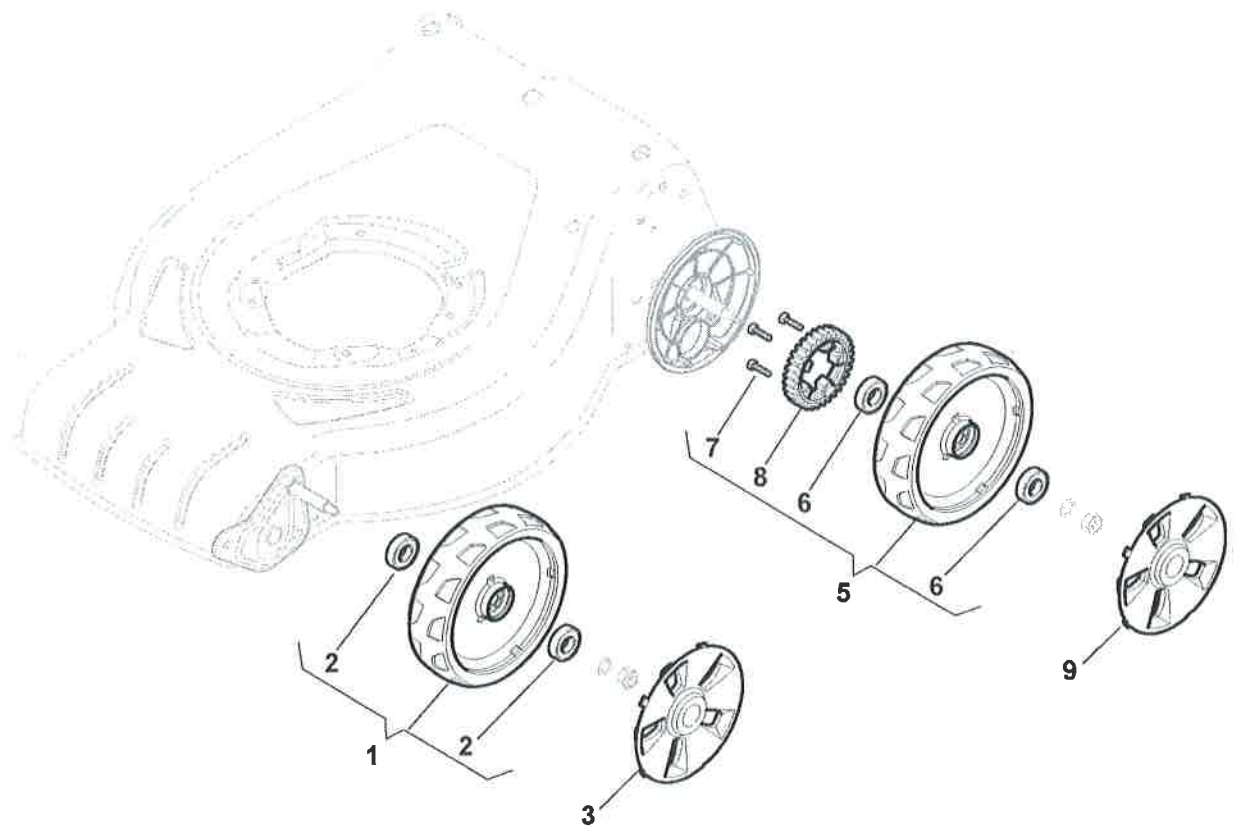
Handle, Upper Part

Zn. c.	Množ.	Kód výrobku	Popis	Poznámky	From	Až do
1	1	381006740/0	Handle, Upper Part			
2	1	112727783/0	Screw			
3	1	322551640/0	Plate			
4	1	381030085/0	Cable Rear Drive			
5	1	181030084/0	Cable, Thread Engine Brake	B&S / GGP / Honda Engine		
6	1	112154510/0	Nut			
7	1	112154510/0	Nut			
8	1	112521330/0	Washer			
9	1	122430313/0	Guide Spring			
10	1	381003394/0	Lever, Engine Brake Yellow			
11	1	381003395/0	Lever, Driving Yellow			



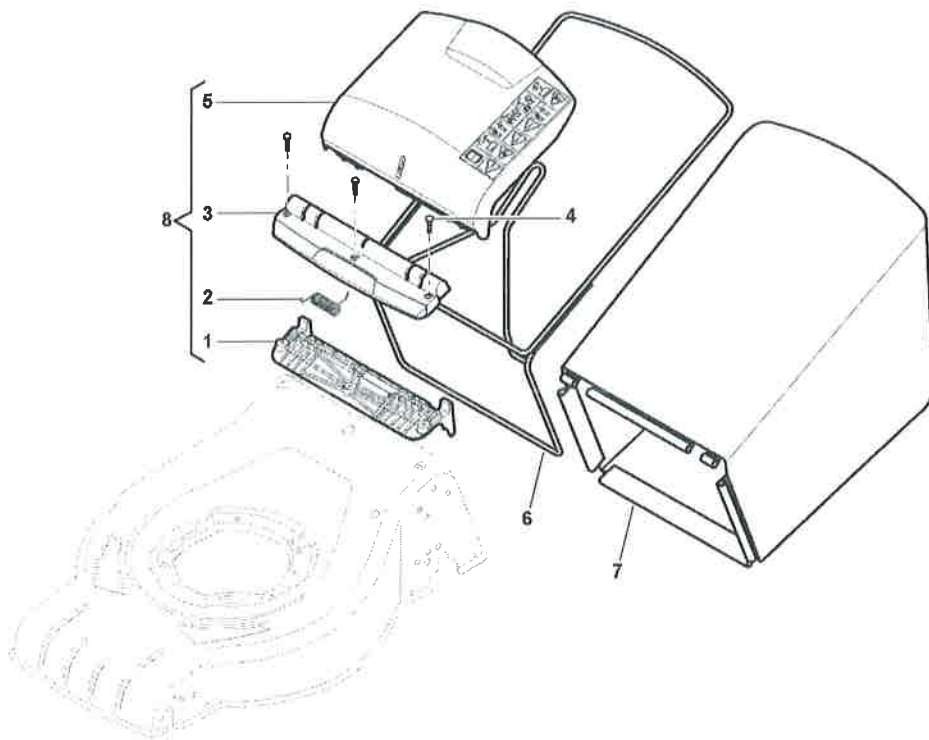
Transmission

Zn. c.	Množ.	Kód výrobku	Popis	Poznámky	From	Až do
1	4	112608600/0	Seeger			
2	1	122570120/1	Pinion Left			
3	1	122570110/1	Pinion Right			
4	2	322042066/0	Bushing			
5	2	112521371/0	Washer			
6	1	181003092/0	Gear Box			
7	1	122601904/0	Pulley	To 31-august-2013		
7	1	122601909/0	Pulley	From 01-september-2013		
8	1	112645700/0	Elastic Pin			
9	1	122033283/0	Adjustment Rod			
10	1	135063800/0	Trapezoidal Belt			
11	1	122041957/1	Bushing			
12	1	122450063/0	Spring			
13	1	322680009/0	Washer			
14	1	112154510/0	Nut			
15	1	122110230/0	Hub Cover			
16	2	122753000/0	Pin			



Wheel and Hub Cap

Zn. c.	Množ.	Kód výrobku	Popis	Poznámky	From	Až do
1	2	381007448/0	Wheel	To 31-august-2012		
1	2	381007448/1	Wheel - Short Hub	From 01-september-2012		
2	4	119216035/0	Bearing			
3	2	322110636/0	Hub Cap Grey			
5	2	381007461/0	Wheel	To 31-august-2012		
5	2	381007461/1	Wheel	From 01-september-2012		
6	4	119216035/0	Bearing			
7	6	112728706/0	Screw			
8	2	322120116/0	Wheels Crown			
9	2	322110636/0	Hub Cap Grey			



Grass-Catcher

Zn. c.	Množ.	Kód výrobku	Popis	Poznámky	From	Až do
1	1	322785331/0	Black Stone Guard Support			
2	1	122450464/0	Spring			
3	1	322109556/0	Stone Guard Supp. Cover Yellow	Yellow		
3	1	322109557/0	Stone Guard Supp. Cover Grey	Grey		
4	3	112728699/0	Screw			
5	1	322600206/1	Stone Guard, Black	Black		
5	1	322600214/1	Stone Guard, Yellow	Yellow		
5	1	322600216/1	Stone Guard, Grey	Grey		
6	1	181006409/0	Textile Grasscatcher Frame			
7	1	181002319/0	Textile Grasscatcher Black			
8	1	381008163/0	Stone Guard Assy, Black	Black		
8	1	381008164/0	Stone Guard Assy, Yellow	Yellow		
8	1	381008166/0	Stone Guard Assy, Grey	Grey		