

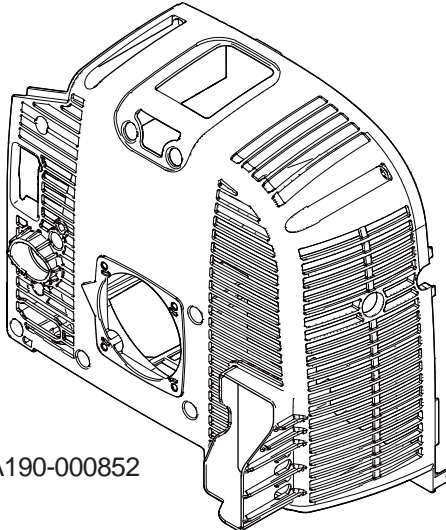
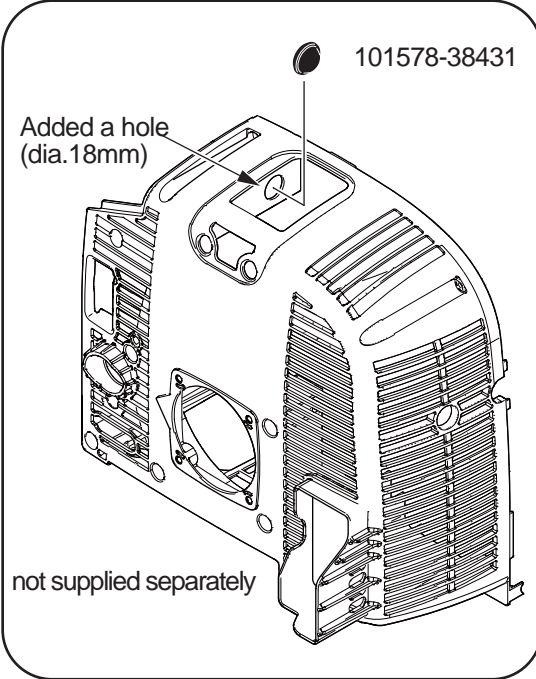
TECHNICAL INFORMATION

SUBJECT: Engine cover on ECHO PB-770

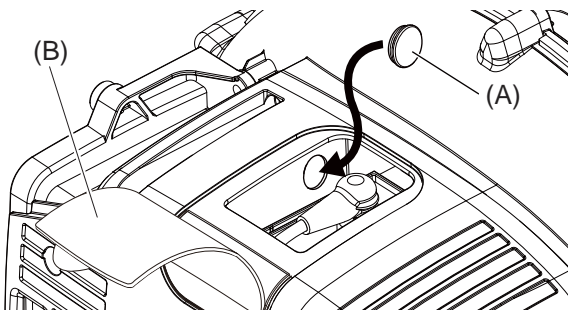
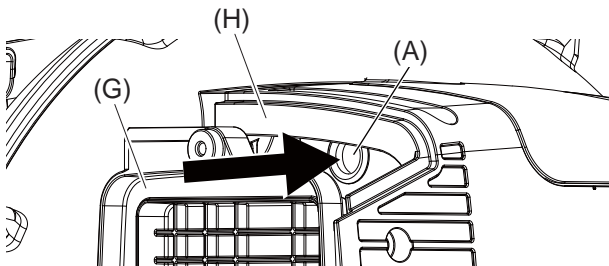
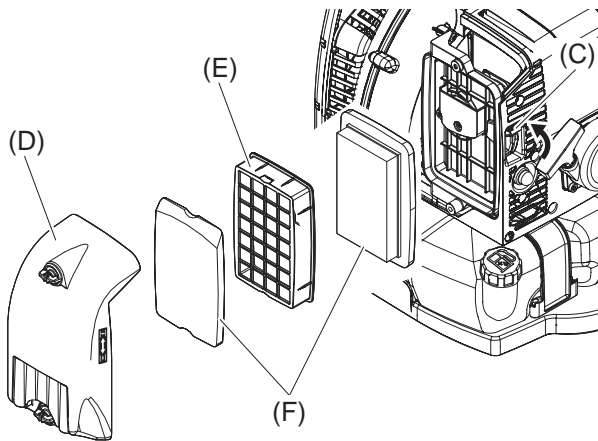
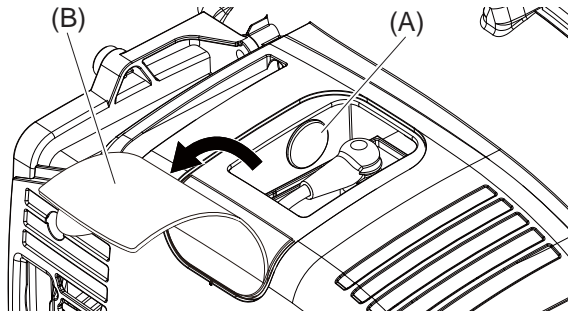
Number: Y2018-661(1/2)

Issued: Nov. 30, 2018

A hole is added on engine cover to prevent carburetor from icing in cold condition.
Assemble plug to new engine cover to prevent engine from overheating, when outside temperature is 5°C or above.

PB-770 (30)	Serial Number 30002084 and before	Serial Number 30002085 and after
<p>Plug</p> <p>Engine cover</p> <p>Engine cover assembly</p>	<p style="text-align: center;">Nil</p>  <p style="text-align: center;">A190-000852</p> <p style="text-align: center;">Nil</p> <p style="text-align: center;">Engine cover assembly P100-007000 can be used on the unit before this change.</p>	 <p style="text-align: center;">101578-38431</p> <p style="text-align: center;">Added a hole (dia. 18mm)</p> <p style="text-align: center;">not supplied separately</p> <p style="text-align: center;">P100-007000</p>

How to remove / install plug (101578-38431)



How to remove plug (A)

1. Open cap cover (B).
2. Close choke lever (C).
3. Remove air filter cover (D), element plate (E) and air filters (F).
4. Push out plug (A) from cleaner case (G) side of engine cover (H) by finger. Keep plug (A) so as not to be lost.
5. Install air filters (F), element plate (E) and air filter cover (D).
6. Close cap cover (B).

How to install plug (A)

1. Open cap cover (B).
2. Close choke lever (C).
3. Remove air filter cover (D), element plate (E) and air filters (F).
4. Install plug (A) to the hole on engine cover. Confirm that plug (A) fits in firmly and there is no clearance.
5. Install air filters (F), element plate (E) and air filter cover (D).
6. Close cap cover (B).