

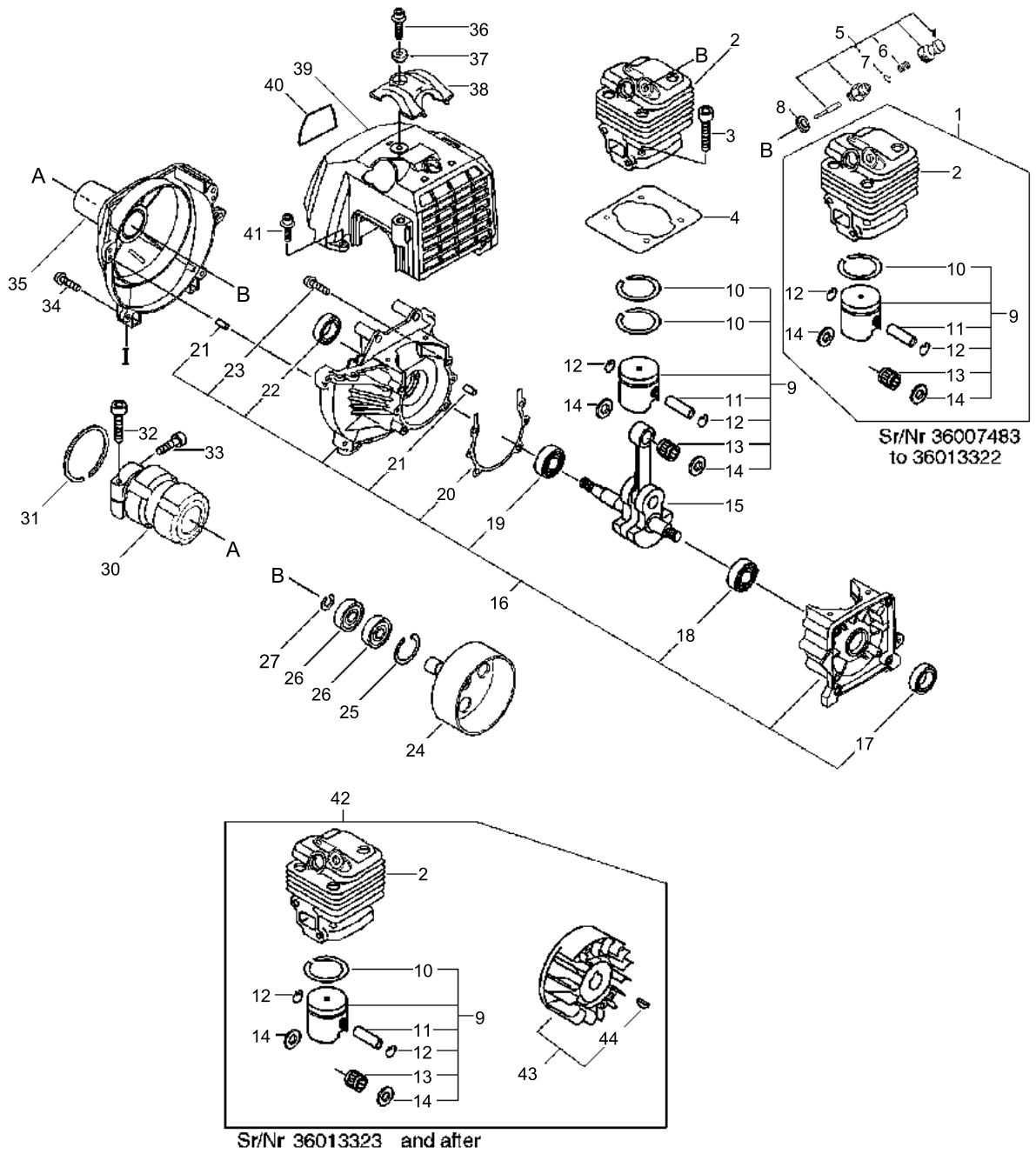
SRM-5000

Published:11/17/2017

TABLE OF CONTENTS

Cylinder, Crankcase, Piston, Fan Cover.....	1
Magneto, Clutch.....	7
Starter.....	9
Air Cleaner, Muffler(Sr/Nr 36026457 and befor).....	11
Air Cleaner, Muffler(Sr/Nr 36026458 and after).....	15
Fuel Tank.....	17
Shield, Tools(Sr/Nr 36021826 and before).....	19
Shield, Tools(Sr/Nr 36021827 and after).....	21
U-Handle(Sr/Nr 36003252 and before).....	23
U-Handle(Sr/Nr 36003253 to 36022697).....	27
U-Handle(Sr/Nr 36022998 and after).....	31
Gear Case(U-Handle Type), Blade(Sr/Nr 36028517 and befor).....	35
Gear Case(U-Handle Type), Blade(Sr/Nr 36028518 and after).....	39
Loop Handle(Sr/Nr 36003752 and before).....	41
Loop Handle(Sr/Nr 36003753 to 36022897).....	45
Loop Handle(Sr/Nr 3602289 and after).....	49
Gear Case(Loop Handle Type), Nylon Line Cutting Head.....	53
Carburetor(Sr/Nr 36006992 and before).....	55
Carburetor(Sr/Nr 36006993 and after).....	57

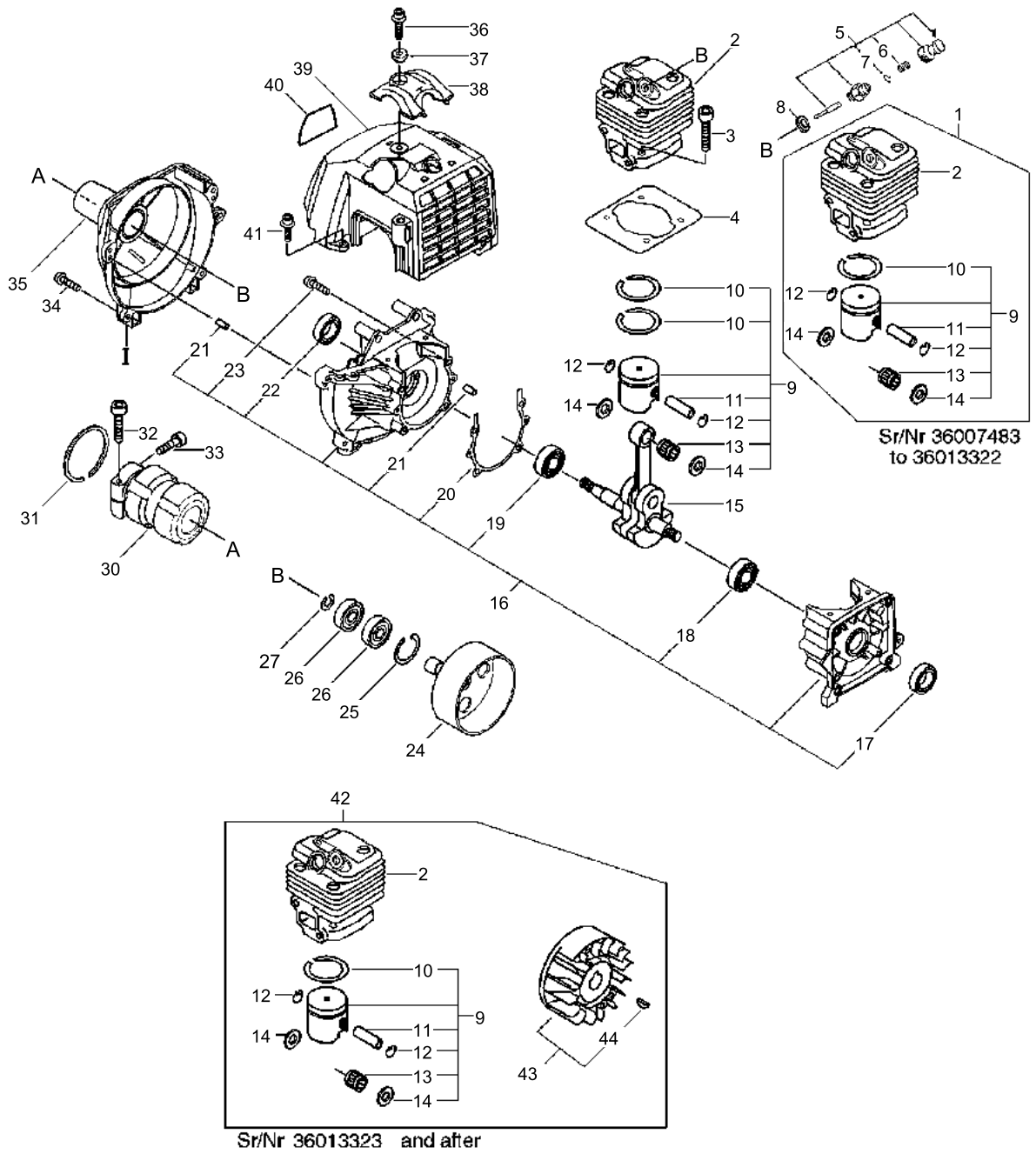
Cylinder, Crankcase, Piston, Fan Cover



Cylinder, Crankcase, Piston, Fan Cover

KEY NO	LV(+)	Part No	Description	Qty	Standard	Comment
1		P021-009691	CYLINDER,PISTON KIT	1		Sus. by P021-009693
1		P021-009692	CYLINDER,PISTON KIT	1		Sus. by P021-009693
1		P021-009693	CYLINDER,PISTON KIT	1		Sr/Nr 36007483 to 36013322
2	+	A130-000710	CYLINDER	1		Sus. by A130-000711
2	+	A130-000711	CYLINDER	1		Sr/Nr 36007483 to 36013322
9	+	P021-009681	PISTON KIT	1		
9	+	P021-009682	PISTON KIT	1		
10	++	A101-000070	RING,PISTON	1		
11	++	V608-000000	PIN,ENG 10	1		
12	++	V580-000010	RING,END	2	10	
13	++	100012-12331	BEARING, NEEDLE	1		
14	++	V307-000060	WASHER,CIRCULAR 10	2		
42		P0210-11170	PISTON,CYL,MAG KIT	1		Sr/Nr 36013323 and after Sus. by P021-011171
2	+	A130-000810	CYLINDER	1		Sr/Nr 36013323 and after Sus. by A130-000860
9	+	P021-011150	PISTON KIT	1		Sr/Nr 36013323 and after
10	++	A101-000070	RING,PISTON	1		Sr/Nr 36013323 and after
11	++	V608-000000	PIN,ENG 10	1		Sr/Nr 36013323 and after
12	++	V580-000010	RING,END	2	10	Sr/Nr 36013323 and after
13	++	100012-12331	BEARING, NEEDLE	1		Sr/Nr 36013323 and after
14	++	V307-000060	WASHER,CIRCULAR 10	2		Sr/Nr 36013323 and after
43	+	P021-011160	ROTOR,MAGNETO KIT	1		Sr/Nr 36013323 and after
44	++	900323-03014	KEY WOODRUFF	1	3*14	Sr/Nr 36013323 and after
2		A130-000271	CYLINDER	1		Sr/Nr 35008210 and before
2		A130-000480	CYLINDER	1		Sr/Nr 35008211 to 35999999

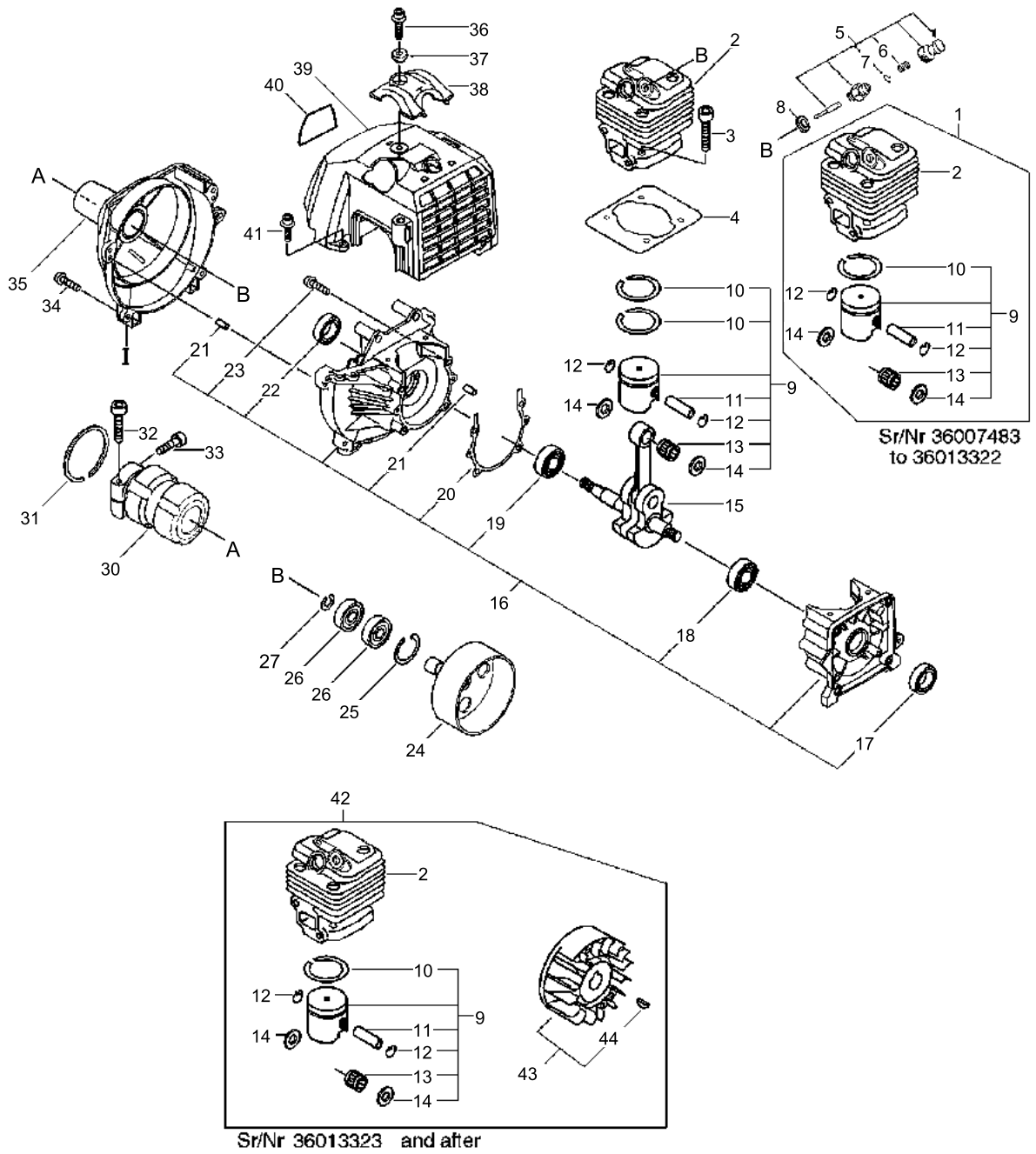
Cylinder, Crankcase, Piston, Fan Cover



Cylinder, Crankcase, Piston, Fan Cover

KEY NO	LV(+)	Part No	Description	Qty	Standard	Comment
2		A130-000451	CYLINDER	1		Sr/Nr 36000001 to 36007482
2		A130-000710	CYLINDER	1		Sus. by A130-000711
2		A130-000711	CYLINDER	1		Sr/Nr 36007482 and before
3		900162-05020	BOLT, H.S. 5*20	4	5*20 W,SW	
4		V100-000040	GASKET,CYL	1		
5		A014-000000	DECOMP,ASM	1		
6	+	101113-37530	SPRING	1		
7	+	P022-002110	CLIP	1		
8		159025-37530	GASKET	1		
9		P021-003561	PISTON KIT	1		Sr/Nr 35008210 and before
9		P021-005000	PISTON KIT	1		Sus. by P021-005001
9		P021-005001	PISTON KIT	1		Sr/Nr 35008211 to 36007482
9		P021-009681	PISTON KIT	1		Sr/Nr 36007482 and before
9		P021-009682	PISTON KIT	1		Sr/Nr 36007482 and before
10	+	A101-000050	RING,PISTON	2		Sr/Nr 35008210 and before
10	+	A101-000070	RING,PISTON	2		Sr/Nr 35008211 to 36007482
10	+	A101-000070	RING,PISTON	1		Sr/Nr 36007482 and before
11	+	V608-000000	PIN,ENG 10	1		Sr/Nr 36007482 and before
12	+	100015-00120	CIRCLIP, PISTON PIN	2		Sr/Nr 36007482 and before
12	+	V580-000010	RING,END	2	10	Sr/Nr 36007482 and before
13	+	100012-12331	BEARING, NEEDLE	1		Sr/Nr 36007482 and before
14	+	V307-000060	WASHER,CIRCULAR 10	2		Sr/Nr 36007482 and before
15		A011-000120	CRANKSHAFT,ASM	1		
16		P021-002470	CRANKCASE SET	1		Sus. by P021-002471
16		P021-002471	CRANKCASE SET	1		
17	+	100213-05530	OILSEAL	1	ISCD 12 22 7	

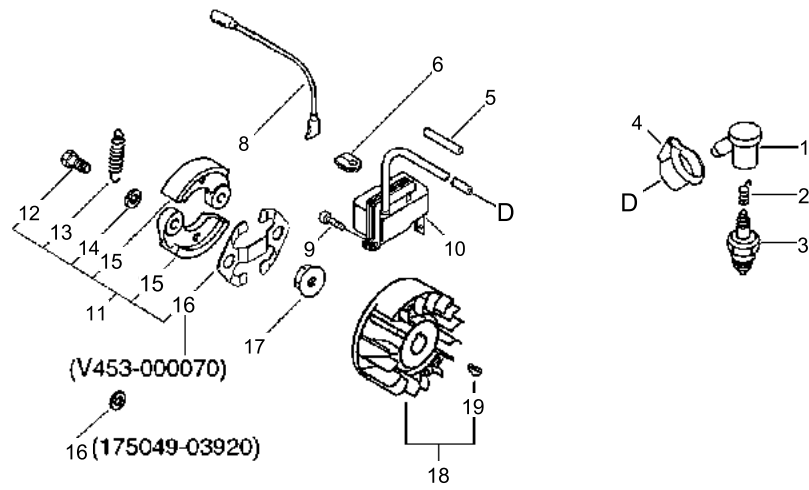
Cylinder, Crankcase, Piston, Fan Cover



Cylinder, Crankcase, Piston, Fan Cover

KEY NO	LV(+)	Part No	Description	Qty	Standard	Comment
18	+	94035-36201	BEARING BALL	1	6201X3JR2C3	
19	+	900810-36202	BEARING, BALL 6202	1	6202/C3	
20	+	V102-000000	GASKET,CRANKCASE	1		Sus. by V102-000001
20	+	V102-000001	GASKET,CRANKCASE	1		
21	+	100215-03930	PIN, DOWEL	4		
22	+	100213-00310	OILSEAL	1	ISCD 15 25 7	
23	+	900162-05035	BOLT, H.S. 5*35	4	5*35 W,SW	
24		A556-000160	DRUM,CLUTCH	1		Sus. by A556-000181
24		A556-000161	DRUM,CLUTCH	1		Sus. by A556-000181
24		A556-000180	DRUM,CLUTCH	1		Sus. by A556-000181
24		A556-000181	DRUM,CLUTCH	1		
25		900702-00028	CIRCLIP 28	1	CR-28	
26		900807-06001	BEARING, BALL 6001	2	6001V(LB)	
27		900701-00012	CIRCLIP 12	1	CS-12	
30		V420-000420	CUSHION	1		Sus. by V420-000980
30		V420-000980	CUSHION	1		
31		900702-00045	RING, RETAINING(IN)	1	CR-45	
32		900162-05028	BOLT, H.S. 5*28	1	5*28 W,SW	Sus. by 91118-05028
33		900162-05012	BOLT, H.S. 5*12	1	5*12 W,SW	Sus. by 91118-05012
34		900162-05020	BOLT, H.S. 5*20	4	5*20 W,SW	Sus. by 91118-05020
35		A172-000150	COVER,FAN	1		
36		900106-05020	BOLT, H.S. 5*20	1	5*20	Sus. by 91121-05020
37		V353-000020	COLLAR,5	1	12*5.5*4.5L	
38		A162-000020	GUARD, TOP	1		
39		A160-000240	COVER,CYLINDER	1		Sus. by A160-000241
39		A160-000241	COVER,CYLINDER	1		
40		X503-002860	LABEL,MODEL	1		Sus. by X547-001060
41		900106-05012	BOLT, H.S. 5*12	1	5*12	Sus. by 91121-05012

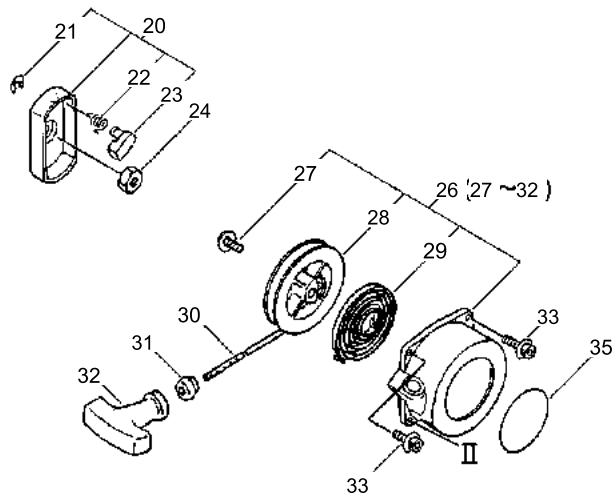
Magneto, Clutch



Magneto, Clutch

KEY NO	LV(+)	Part No	Description	Qty	Standard	Comment
1		A427-000000	CAP,SPARK PLUG	1		
2		A426-000000	TERMINAL,SPARKPLUG	1		
3		159017-31730	PLUG, SPARK RCJ-6Y	1	RCJ-6Y	
4		V141-000020	GROMMET,PLUG	1		
5		V475-001610	TUBE	1	7*8.6*55 HST-10	
6		156114-04920	GROMMET	1		
8		162010-55630	LEAD, GROUND	1	170L	
9		900162-05020	BOLT, H.S. 5*20	2	5*20 W,SW	
10		A411-000050	COIL,IGNITION	1		
11		P021-002480	CLUTCH ASY	1		Sus. by P021-008190
11		P021-002481	CLUTCH ASY	1		Sus. by P021-008190
11		P021-008190	CLUTCH ASY	1		
12	+	A557-000000	SHAFT,CLUTCH	2		
13	+	V451-000230	SPRING,TENSION	1		Sus. by V451-000480
13	+	V451-000480	SPRING,TENSION	1		
14	+	V346-000000	WASHER,WAVE	2		Sr/Nr 36001840 and before
14	+	175048-03920	WASHER	2		Sr/Nr 36001841 and after
15	+	A553-000030	ARM,CLUTCH	2		Sr/Nr 36001840 and before
15	+	A553-000040	ARM,CLUTCH	2		Sr/Nr 36001841 and after
16	+	175049-03920	WASHER	2		Sr/Nr 36001840 and before
16	+	V453-000070	SPRING,FLAT	1		Sr/Nr 36001841 and after
17		900519-00010	NUT, FLANGE 10	1	10*1.25	
18		A409-000060	ROTOR,MAGNETO	1		Sus. by P021-005911
18		A409-000061	ROTOR,MAGNETO	1		Sus. by P021-005911
18		P021-005910	ROTOR,MAGNETO KIT	1		Sus. by P021-005911
18		P021-005911	ROTOR,MAGNETO KIT	1		Sr/Nr 36007483 to 36013322
19	+	900323-03014	KEY WOODRUFF	1	3*14	Can be used P021-00591- 0,005911

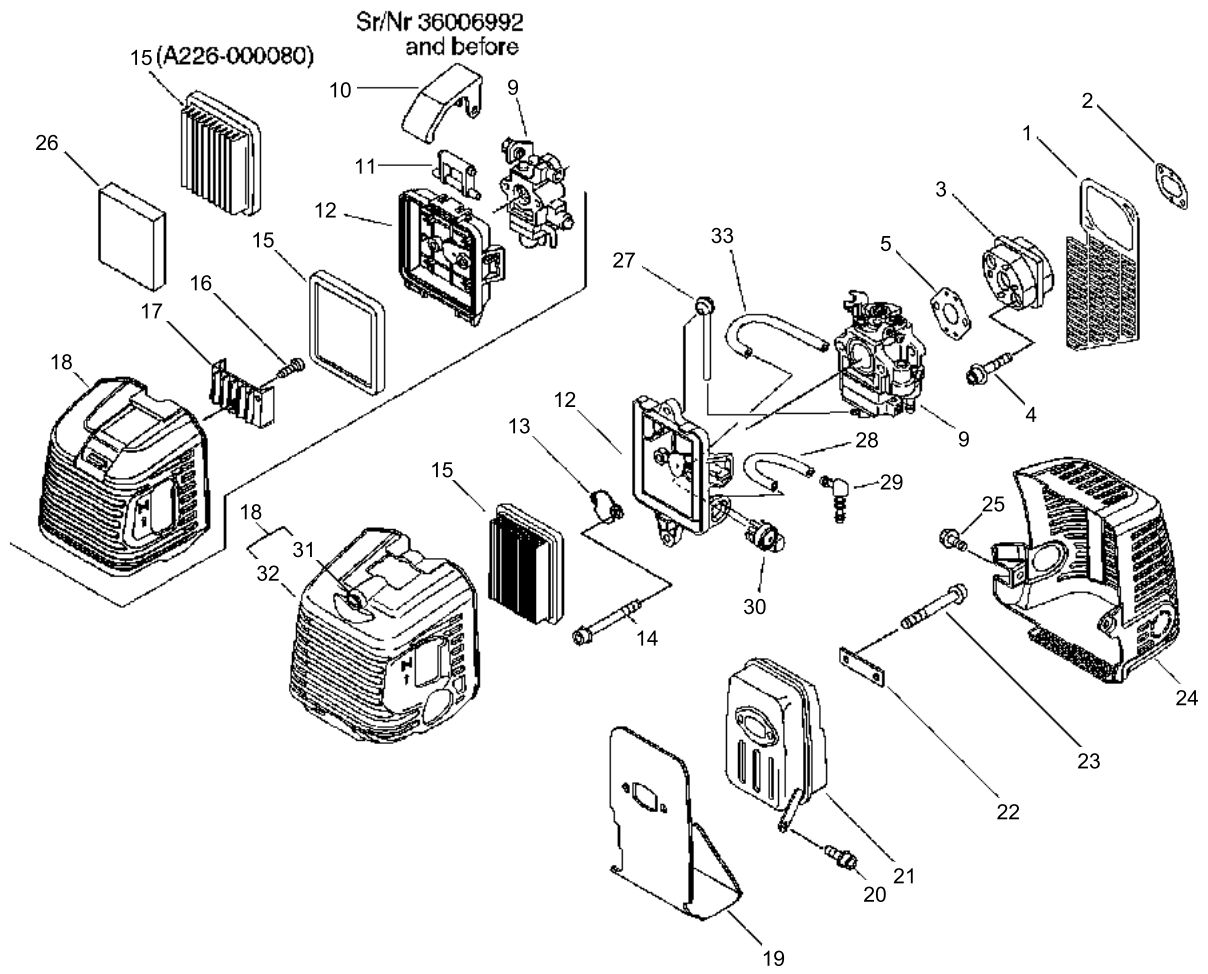
Starter



Starter

KEY NO	LV(+)	Part No	Description	Qty	Standard	Comment
20		A052-000010	PULLEY,ASM STARTER	1		Sus. by A052-000011
20		A052-000011	PULLEY,ASM STARTER	1		
21	+	P022-002100	E-RING	1	4	
22	+	P022-002090	SPRING, RETURN	1	A0522160050	
23	+	177218-40630	PAWL, STARTER	1	WHITE	
24		900502-00008	NUT 8 (3N)	1	3N8	
26		A051-000070	STARTER,RECOIL	1		
27	+	177236-06910	SCREW	1		
28	+	P022-002080	DRUM, STARTER	1		
29	+	177220-06310	SPRING, REWIND	1		
30	+	177226-06310	ROPE, STARTER	1	3.8*1150	
31	+	177227-42030	GUIDE, ROPE	1		
32	+	177228-27030	GRIP, STARTER	1		
33		900106-05020	BOLT, H.S. 5*20	2	5*20	Sus. by 91121-05020
35		890118-17930	LABEL, ECHO	1		Sus. by X502-000460

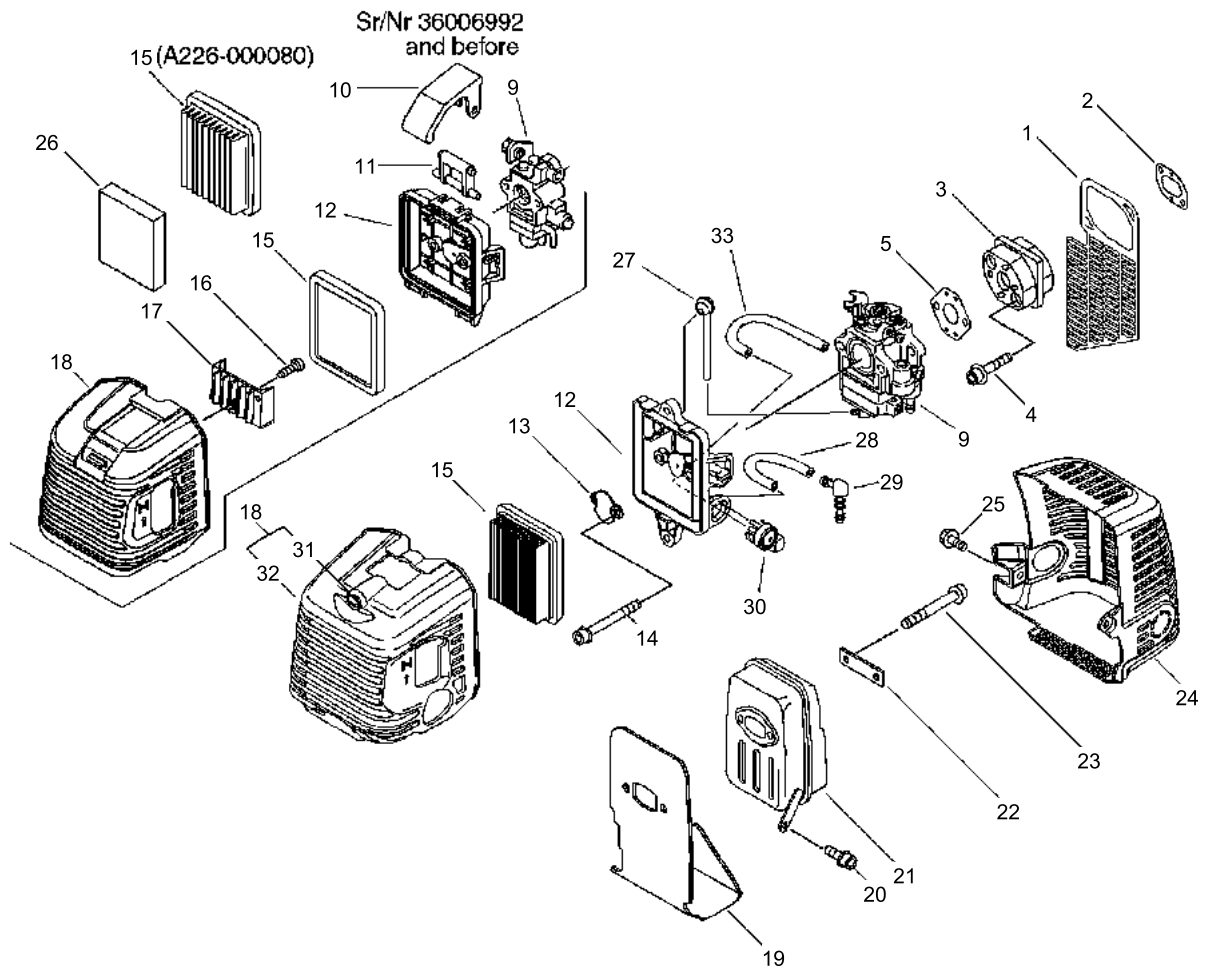
Air Cleaner, Muffler(Sr/Nr 36026457 and befor)



Air Cleaner, Muffler(Sr/Nr 36026457 and befor)

KEY NO	LV(+)	Part No	Description	Qty	Standard	Comment
1		A128-000060	PLATE,DUST	1		Sr/Nr 36002453 and after
2		V103-000070	GASKET,INTAKE	1		
3		A200-000060	INSULATOR,INTAKE	1		
4		900106-05025	BOLT, H.S. 5*25	2	5*25	
5		V103-000080	GASKET,INTAKE	1		
9		A021-000340	CARBURETOR, DIAPHRAGM	1		Sus. by A021-000341
9		A021-000341	CARBURETOR, DIAPHRAGM	1	WYK-158A	Sr/Nr 35999999 and before
9		A021-000591	CARBURETOR, DIAPHRAGM	1	WYK-173A	Sus. by A021-001030
9		A021-001030	CARBURETOR, DIAPHRAGM	1	WYK-216	Sr/Nr 36000001 to 36006992
9		A021-001160	CARBURETOR, DIAPHRAGM	1	WYK-227	Sr/Nr 36006993 and after
10		A235-000060	KNOB,CLEANER LID	1		Sr/Nr 36006992 and before
11		J485-000030	HINGE	1		Sr/Nr 36006992 and before
12		P021-002490	CASE, AIR CLEANER	1		Sus. by P021-002491
12		P021-002491	CASE, AIR CLEANER	1		Sr/Nr 36006992 and before
12		P021-009590	CASE, AIR CLEANER	1		Sr/Nr 36006993 and after
13		A244-000010	PLATE,PREVENT	1		
14		900105-05055	BOLT, H.S. 5*55	2	5*55	
15		A226-000080	ELEMENT,AIR FILTER	1		Sr/Nr 36006992 and before
15		A226-000320	ELEMENT, AIR FILTER	1		Sr/Nr 36006993 and after Sus. by A226-000360
16		900253-04008	SCREW 4*8	1	4*8	Sr/Nr 36006992 and before
17		A323-000000	PIECE,COVER	1		Sr/Nr 36006992 and before
18		A232-000090	LID,CLEANER	1		Sus. by A232-000300
18		A232-000091	LID,CLEANER	1		Sus. by A232-000300
18		A232-000300	LID,CLEANER	1		Sr/Nr 36006992 and before

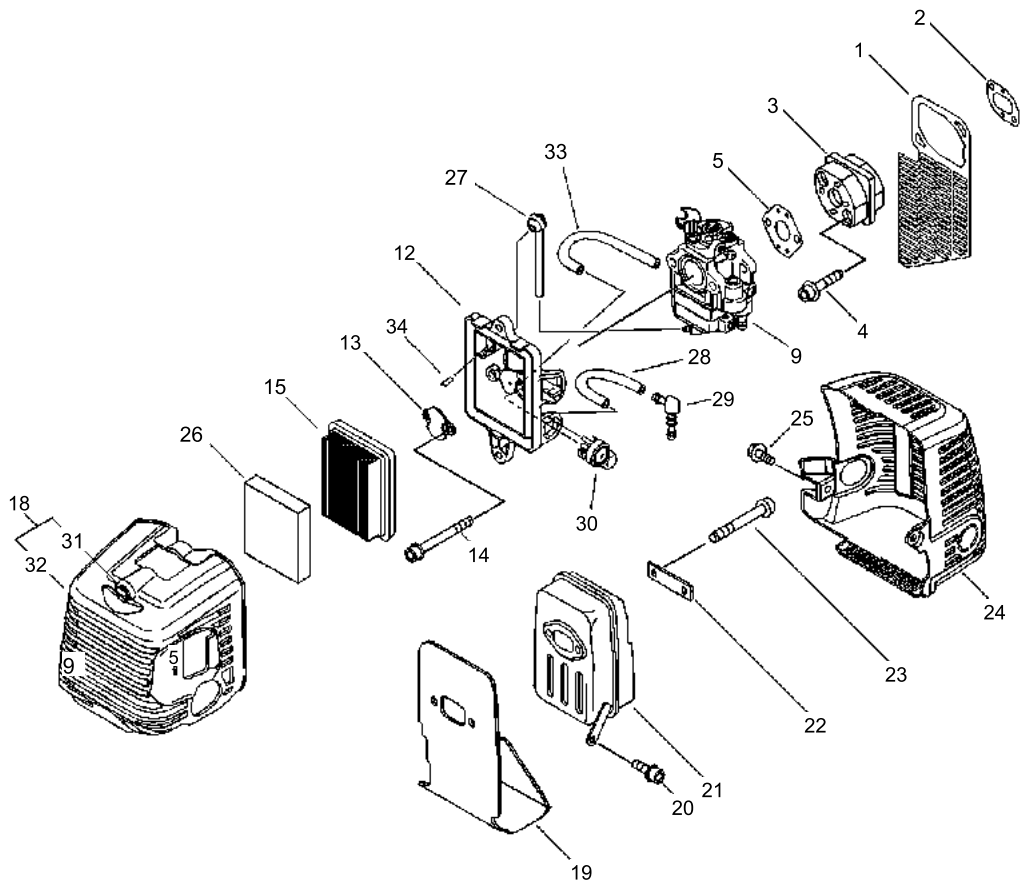
Air Cleaner, Muffler(Sr/Nr 36026457 and befor)



Air Cleaner, Muffler(Sr/Nr 36026457 and befor)

KEY NO	LV(+)	Part No	Description	Qty	Standard	Comment
18		P021-009600	LID,CLEANER ASY	1		Sr/Nr 36006993 and after
31	+	V253-000100	SCREW,5	2	5*20	
32	+	A232-000320	LID,CLEANER	1		
19		V104-000210	GASKET,EXHAUST	1		
20		900162-05012	BOLT, H.S. 5*12	1	5*12 W,SW	
21		A300-000190	MUFFLER,EXHAUST	1	T0.6	Sr/Nr 35999999 and before
21		P021-008900	MUFFLER ASY	1		Sr/Nr 36001001 and after
22		V150-000550	PLATE,EYE	1		
23		900105-06060	BOLT, H.S. 6*60	2	6*60	
24		A320-000080	COVER,MUFFLER	1		
25		900106-05012	BOLT, H.S. 5*12	1	5*12	Sus. by 91121-05012
26		A226-000210	ELEMENT,AIR FILTER	1		OPTION
27		132012-39330	PIPE, W/GROMMET	1	L105 NBR	Sr/Nr 36006993 and after Sus. by 132012-39331
28		437215-20760	PIPE 3*6*60	1	3*6*60 YL	Sr/Nr 36006993 and after
29		V186-000120	JOINT,PIPE	1	5.4	Sr/Nr 36006993 and after Sus. by V186-000080
30		123181-39130	PUMP, PRIMER	1		Sr/Nr 36006993 and after
33		V471-001560	PIPE	1	2.4*5*80	Sr/Nr 36006993 and after

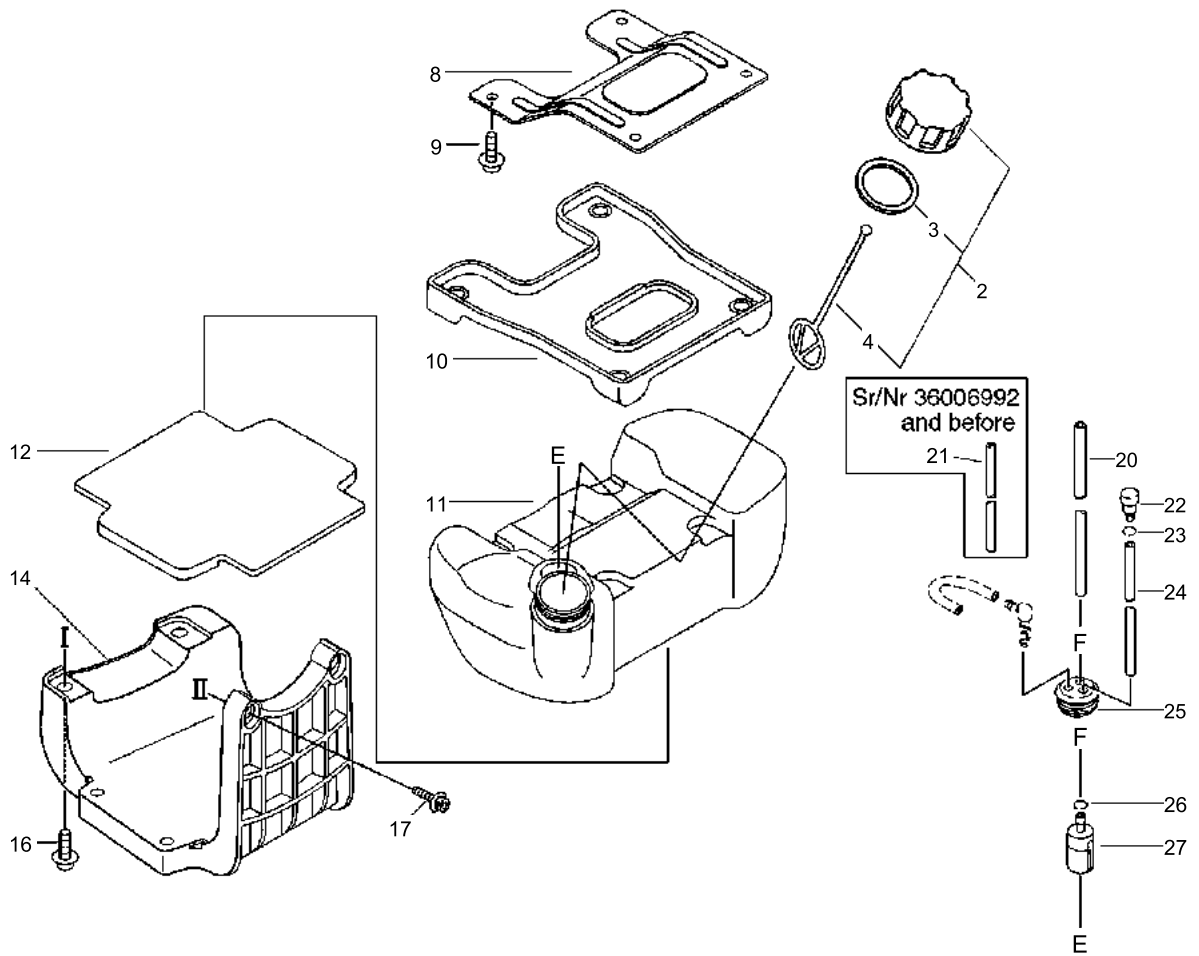
Air Cleaner, Muffler(Sr/Nr 36026458 and after)



Air Cleaner, Muffler(Sr/Nr 36026458 and after)

KEY NO	LV(+)	Part No	Description	Qty	Standard	Comment
1		A128-000060	PLATE,DUST	1		
2		V103-000070	GASKET,INTAKE	1		
3		A200-000060	INSULATOR,INTAKE	1		
4		900106-05025	BOLT, H.S. 5*25	2	5*25	
5		V103-000080	GASKET,INTAKE	1		
9		A021-001160	CARBURETOR, DIAPHRAGM	1	WYK-227	
12		P021-009590	CASE, AIR CLEANER	1		
13		A244-000010	PLATE,PREVENT	1		
14		900105-05055	BOLT, H.S. 5*55	2	5*55	
15		A226-000360	ELEMENT, AIR FILTER	1	AFP-2010K-300	
18		P021-009600	LID,CLEANER ASY	1		
31	+	V253-000100	SCREW,5	2	5*20	
32	+	A232-000320	LID,CLEANER	1		
19		V104-000210	GASKET,EXHAUST	1		
20		900162-05012	BOLT, H.S. 5*12	1	5*12 W,SW	
21		P021-008900	MUFFLER ASY	1		
22		V150-000550	PLATE,EYE	1		
23		900105-06060	BOLT, H.S. 6*60	2	6*60	
24		A320-000080	COVER,MUFFLER	1		
25		91121-05012	BOLT, FLANGE	1	10.9 SILVER	
26		A226-000210	ELEMENT,AIR FILTER	1		
27		132012-39331	PIPE	1	3*6*105	
28		437215-20760	PIPE 3*6*60	1	3*6*60 YL	
29		V186-000080	JOINT,PIPE	1		
30		123181-39130	PUMP, PRIMER	1		
33		V471-001560	PIPE	1	2.4*5*80	
34		A239-000050	PIPE, INTAKE	1		Sr/Nr 36026458 and after

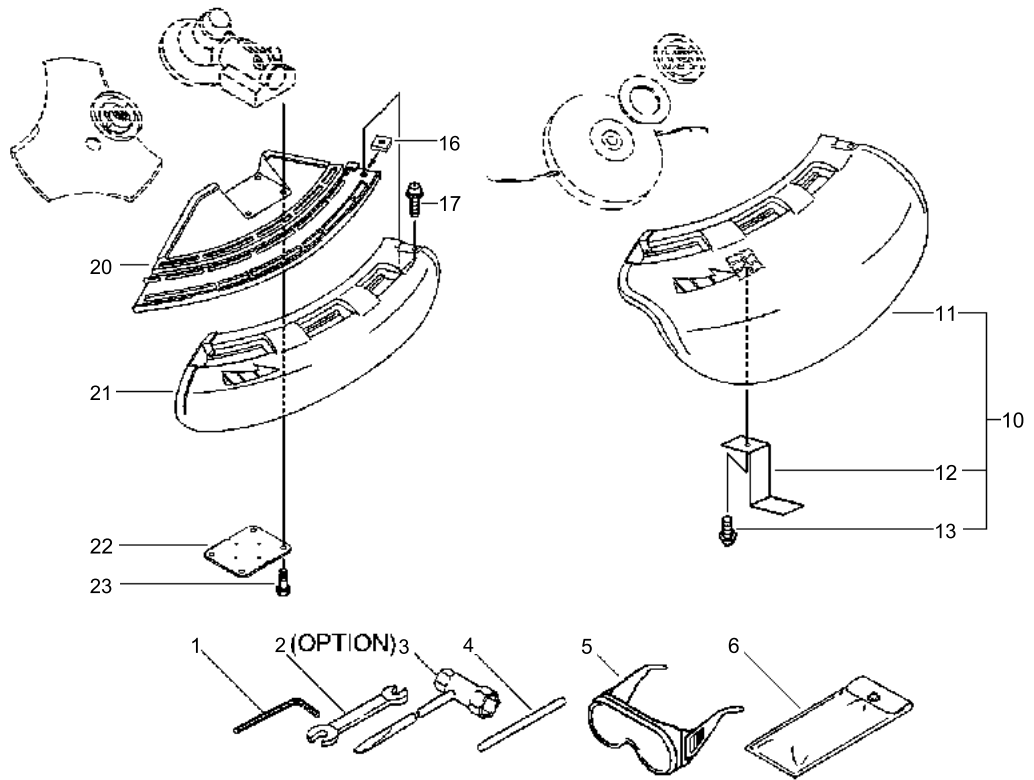
Fuel Tank



Fuel Tank

KEY NO	LV(+)	Part No	Description	Qty	Standard	Comment
2		131004-55530	CAP ASSY, FUEL TANK	1		
3	+	131016-55830	GASKET, FUEL CAP	1		
4	+	131051-56030	CLIP, FUEL CAP	1	100L	
8		A393-000030	BRACKET,FUEL TANK	1		
9		900106-05012	BOLT, H.S. 5*12	4	5*12	
10		A390-000000	SEAT,FUEL TANK	1		
11		A350-000130	TANK,FUEL	1	HB330	
12		A390-000010	SEAT,FUEL TANK	1		
14		A393-000050	BRACKET,FUEL TANK	1		
16		900106-05020	BOLT, H.S. 5*20	2	5*20	Sus. by 91121-05020
17		900106-05025	BOLT, H.S. 5*25	2	5*25	Sus. by 91121-05025
20		132010-53630	PIPE	1	3*6*180 NBR	
21		437215-20760	PIPE 3*6*60	1	3*6*60 YL	Sr/Nr 36006992 and before
22		131300-56430	VALVE, CHECK	1		
23		132013-26630	CLIP	1	6.5MM	
24		132012-02960	PIPE, FUEL	1	3*6*120L	
25		132115-55930	GROMMET, FUEL	1		
26		132013-26630	CLIP	1	6.5MM	
27		131205-19830	STRAINER, FUEL	1		Sus. by 131205-19831

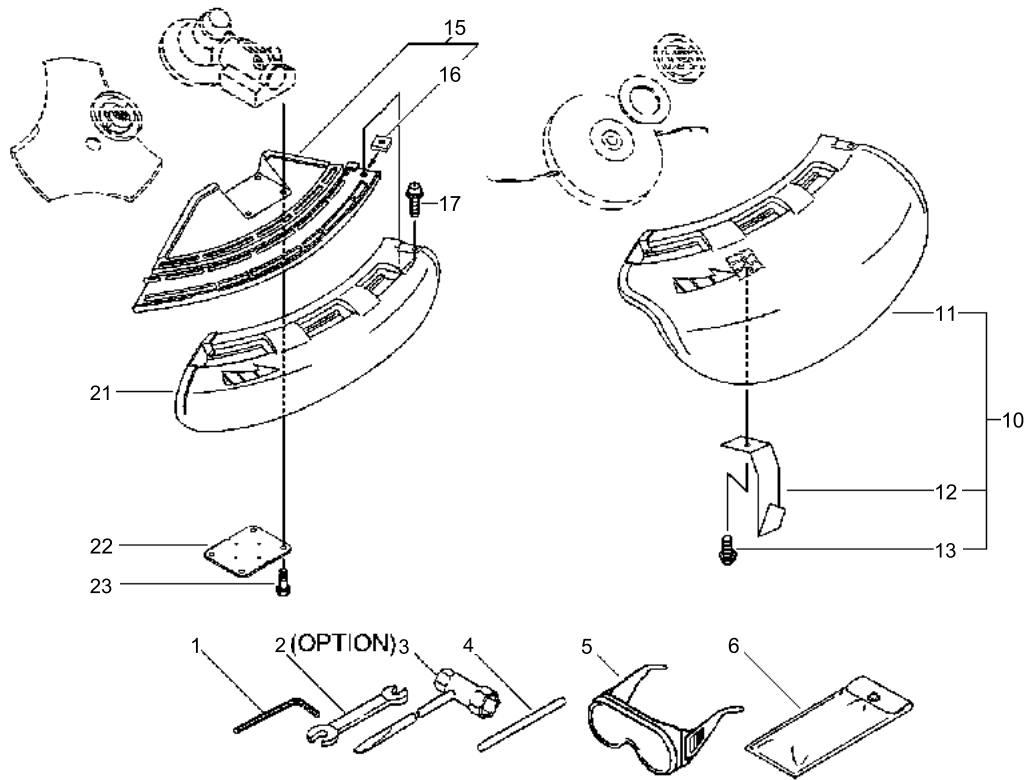
Shield, Tools(Sr/Nr 36021826 and before)



Shield, Tools(Sr/Nr 36021826 and before)

KEY NO	LV(+)	Part No	Description	Qty	Standard	Comment
1		895610-00130	L-WRENCH (4MM)	1		
2		895112-00330	SPANNER 8*10	1		OPTION
3		895410-08030	WRENCH, W/S. DRIVER	1		Sus. by X602-000020
3		X602-000020	TOOL,WRENCH	1	17*19 L200	
4		X606-000080	TOOL,BAR	1	5*120	
5		899580-68730	SAFETY GLASSES	1		Sus. by X690-000030
5		X690-000030	GOGGLE	1		
6		898510-39130	BAG, TOOL	1		
10		P021-002620	SHIELD,BLADE(W/KNIFE	1		Sr/Nr 36021826 and before
11	+	C550-000080	SHIELD,BLADE	1		
12	+	C554-000000	KNIFE,CORD	1		Sr/Nr 36021826 and before
13	+	900252-05012	SCREW 5*12	1	5*12	
16		900565-00005	NUT	1	5	
17		900242-05018	SCREW 5*18	1	5*18	
20		C550-000100	SHIELD,BLADE	1		
21		C550-000090	SHIELD,BLADE	1		
22		699013-56830	PLATE, SHIELD	1		
23		900162-05025	BOLT, H.S. 5*25	4	5*25 W,SW	Sus. by 91118-05025

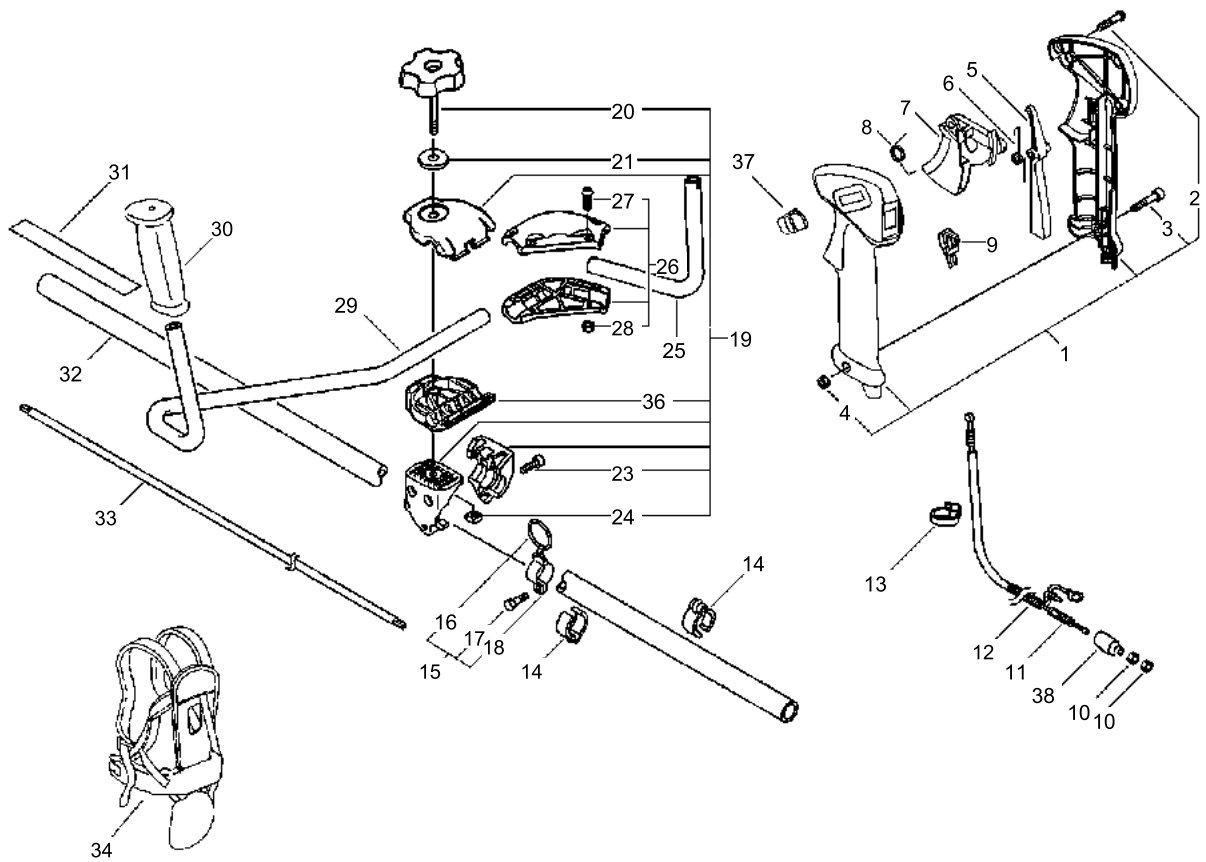
Shield, Tools(Sr/Nr 36021827 and after)



Shield, Tools(Sr/Nr 36021827 and after)

KEY NO	LV(+)	Part No	Description	Qty	Standard	Comment
1		895610-00130	L-WRENCH (4MM)	1		
2		895112-00330	SPANNER 8*10	1		
3		X602-000020	TOOL,WRENCH	1	17*19 L200	
4		X606-000080	TOOL,BAR	1	5*120	
5		X690-000030	GOGGLE	1		
6		898510-39130	BAG, TOOL	1		
10		P021-013770	SHIELD KIT	1		Sr/Nr 36021827 and after
11	+	C550-000080	SHIELD,BLADE	1		
12	+	C554-000030	KNIFE, CORD	1	17INCH	Sr/Nr 36021827 and after
13	+	900252-05012	SCREW 5*12	1	5*12	
15		C550-000100	SHIELD,BLADE	1		
16	+	900565-00005	NUT	1	5	
17		900242-05018	SCREW 5*18	1	5*18	
21		C550-000090	SHIELD,BLADE	1		
22		699013-56830	PLATE, SHIELD	1		
23		91118-05025	BOLT	4	CM-5*25	

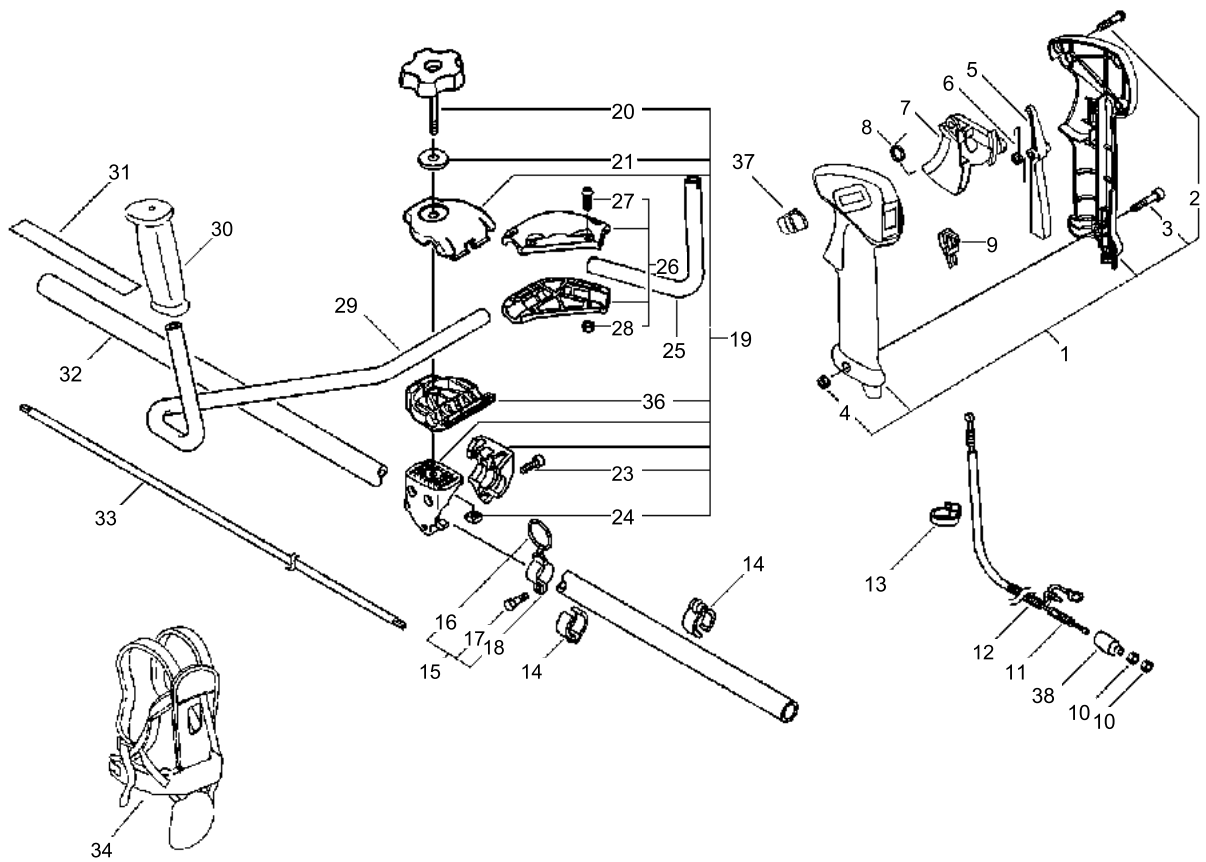
U-Handle(Sr/Nr 36003252 and before)



U-Handle(Sr/Nr 36003252 and before)

KEY NO	LV(+)	Part No	Description	Qty	Standard	Comment
1		P021-002610	GRIP ASY,F-HANDLE	1		Sus. by P021-002612
1		P021-002611	GRIP ASY,F-HANDLE	1		Sus. by P021-002612
1		P021-002612	GRIP ASY,F-HANDLE	1		
2	+	900253-04016	SCREW 4*16	3	4*16	
3	+	900220-05030	SCREW 5*30	1	5*30	
4	+	900500-00005	NUT 5	1	5	
5		C460-000010	LOCKOUT,THROTTLE	1		Sus. by C460-000011
5		C460-000011	LOCKOUT,THROTTLE	1		
6		V452-000050	SPRING,TORSION	1		Sr/Nr 35007510 and before
6		V452-000130	SPRING,TORSION	1		Sr/Nr 35007511 to 36003252
7		C450-000020	TRIGGER,THROTTLE	1		Sus. by C450-000022
7		C450-000021	TRIGGER,THROTTLE	1		Sus. by C450-000022
7		C450-000022	TRIGGER,THROTTLE	1		
8		V452-000060	SPRING,TORSION	1		
9		A440-000240	SWITCH,ON OFF	1		
10		900502-00006	NUT 6 (3N)	2	3N6	
11		V430-000390	CABLE,BOWDEN	1		Sus. by V430-000960
11		V430-000960	CABLE,BOWDEN	1		
12		178127-43230	TUBE	1	7*820	
13		159112-09960	CLIP	1		
14		224924-52930	CLIP	2	28MM	
15		301200-05230	HOOK ASS'Y	1		
16	+	301015-05330	HOOK, BAND	1		
17	+	900105-05012	BOLT, H.S. 5*12	1	5*12	
18	+	301210-04630	HOOK	1		
19		P021-002760	BRACKET ASY, HANDLE	1		Sus. by P021-002761
19		P021-002761	BRACKET ASY, HANDLE	1		
20	+	V299-000110	KNOB,FASTENER	1		
21	+	605014-54230	WASHER	1		
23	+	900162-05030	BOLT, H.S. 5*30	3	5*30 W,SW	
24	+	900565-50008	NUT	1	8*1.25	
36	+	C423-000041	FIXTURE,HANDLE	1		
25		351214-52931	HANDLE	1		
26		351202-51430	BRACKET ASSY, HANDLE	1		
27	+	900162-05020	BOLT, H.S. 5*20	4	5*20 W,SW	
28	+	900500-00005	NUT 5	4	5	
29		351010-52931	HANDLE, FRONT	1		
30		C403-000030	GRIP,HANDLE	1		Sus. by C403-000031
30		C403-000031	GRIP,HANDLE	1		

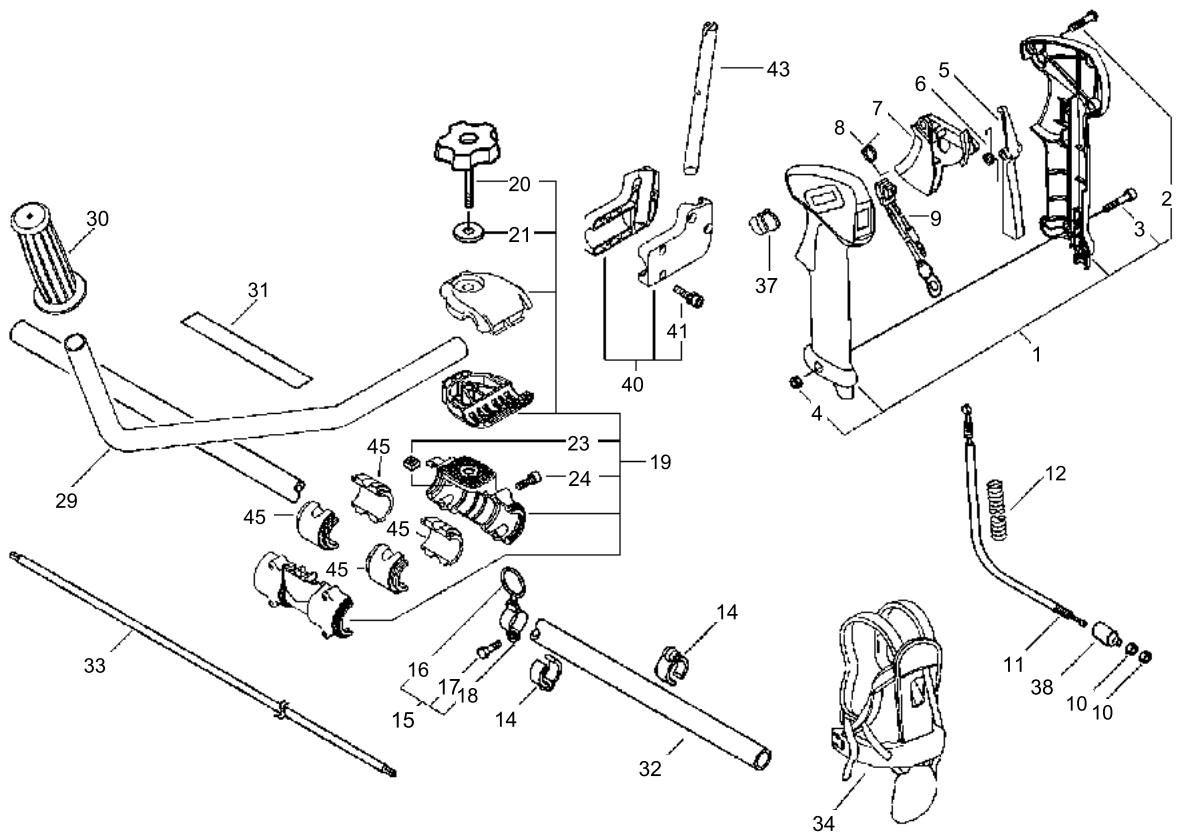
U-Handle(Sr/Nr 36003252 and before)



U-Handle(Sr/Nr 36003252 and before)

KEY NO	LV(+)	Part No	Description	Qty	Standard	Comment
31		890617-43130	LABEL,CAUTION	1		
32		C050-000050	PIPE,MAIN	1		
33		610011-49930	SHAFT, DRIVE	1		
34		301001-56831	HARNESS ASY, SHOULDER	1		Sus. by C062-000181
34		C062-000180	HARNESS,SHOULDER	1	ECHO	Sus. by C062-000181
34		C062-000181	HARNESS,SHOULDER	1		
37		C463-000000	KNOB,LATCH	1		Sr/Nr 35007511 to 36003252
38		V494-000080	CAP	1		Sr/Nr 35007511 to 36003252

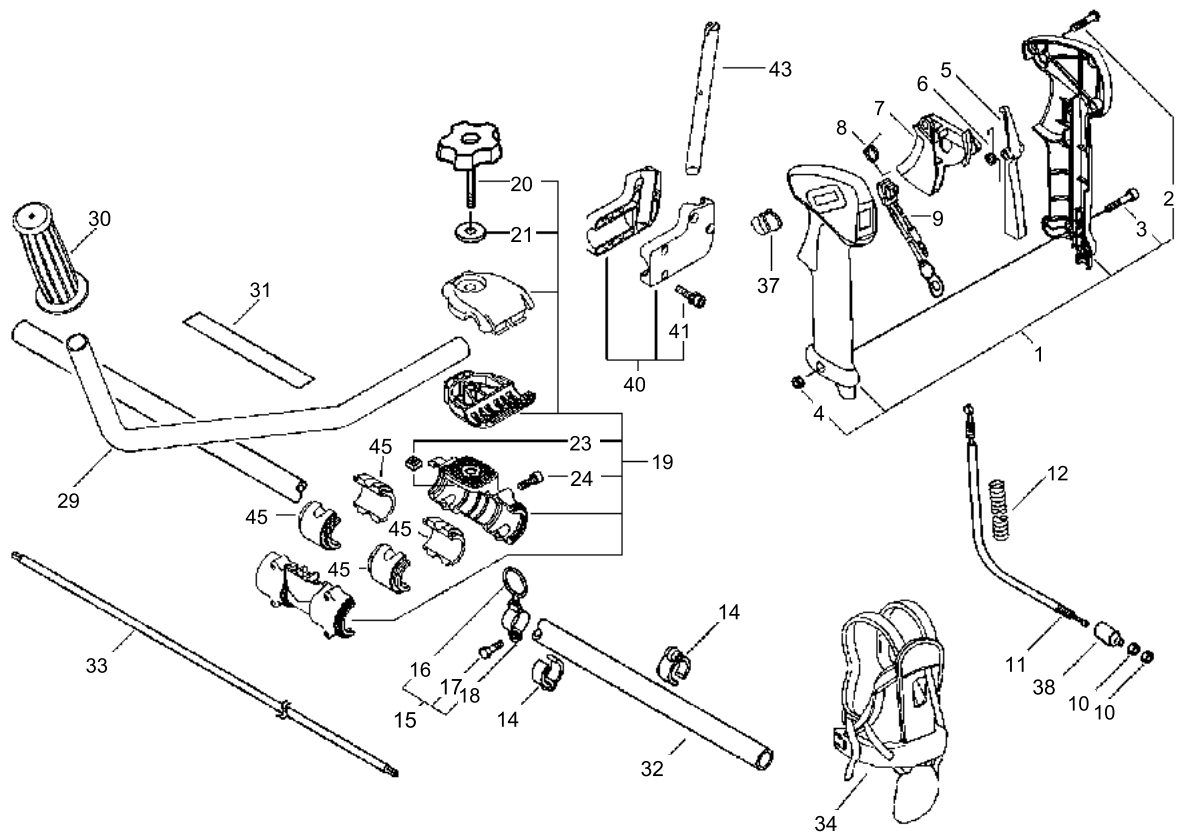
U-Handle(Sr/Nr 36003253 to 36022697)



U-Handle(Sr/Nr 36003253 to 36022697)

KEY NO	LV(+)	Part No	Description	Qty	Standard	Comment
1		P021-002612	GRIP ASY,F-HANDLE	1		Sr/Nr 36003253 to 36022697
2	+	900253-04016	SCREW 4*16	3	4*16	Sr/Nr 36003253 to 36022697
3	+	900220-05030	SCREW 5*30	1	5*30	Sr/Nr 36003253 to 36022697
4	+	900500-00005	NUT 5	1	5	
5		C460-000011	LOCKOUT,THROTTLE	1		Sr/Nr 36003253 to 36022697
6		V452-000130	SPRING,TORSION	1		Sr/Nr 36003253 to 36022697
7		C450-000022	TRIGGER,THROTTLE	1		Sr/Nr 36003253 to 36022697
8		V452-000060	SPRING,TORSION	1		Sr/Nr 36003253 to 36022697
9		A440-000610	SWITCH,ON OFF	1		Sr/Nr 36003253 to 36022697
10		900502-00006	NUT 6 (3N)	2	3N6	
11		V430-001470	CABLE,BOWDEN	1		Sr/Nr 36003253 to 36022697
12		V475-003590	TUBE	1	7*740	
14		224924-52930	CLIP	2	28MM	
15		301200-05230	HOOK ASS'Y	1		Sus. by P021-012660
16	+	301015-05330	HOOK, BAND	1		
17	+	900105-05012	BOLT, H.S. 5*12	1	5*12	Sus. by 91119-05012
18	+	301210-04630	HOOK	1		
19		P021-009220	BRACKET ASY, HANDLE	1		Sus. by P021-009221
19		P021-009221	BRACKET ASY, HANDLE	1		Sus. by P021-012750
20	+	V299-000110	KNOB,FASTENER	1		
21	+	605014-54230	WASHER	1		
23	+	900565-50008	NUT	1	8*1.25	
24	+	900162-05035	BOLT, H.S. 5*35	4	5*35 W,SW	Sus. by 91118-05035
29		C400-000400	HANDLE,FRONT	1		
30		351213-47531	GRIP, HANDLE	1		
31		890617-43130	LABEL,CAUTION	1		
32		C050-000050	PIPE,MAIN	1		Sus. by C050-000880
33		610011-49930	SHAFT, DRIVE	1		Sus. by 610011-49931
34		C062-000180	HARNES,SHOULDER	1	ECHO	Sus. by C062-000181

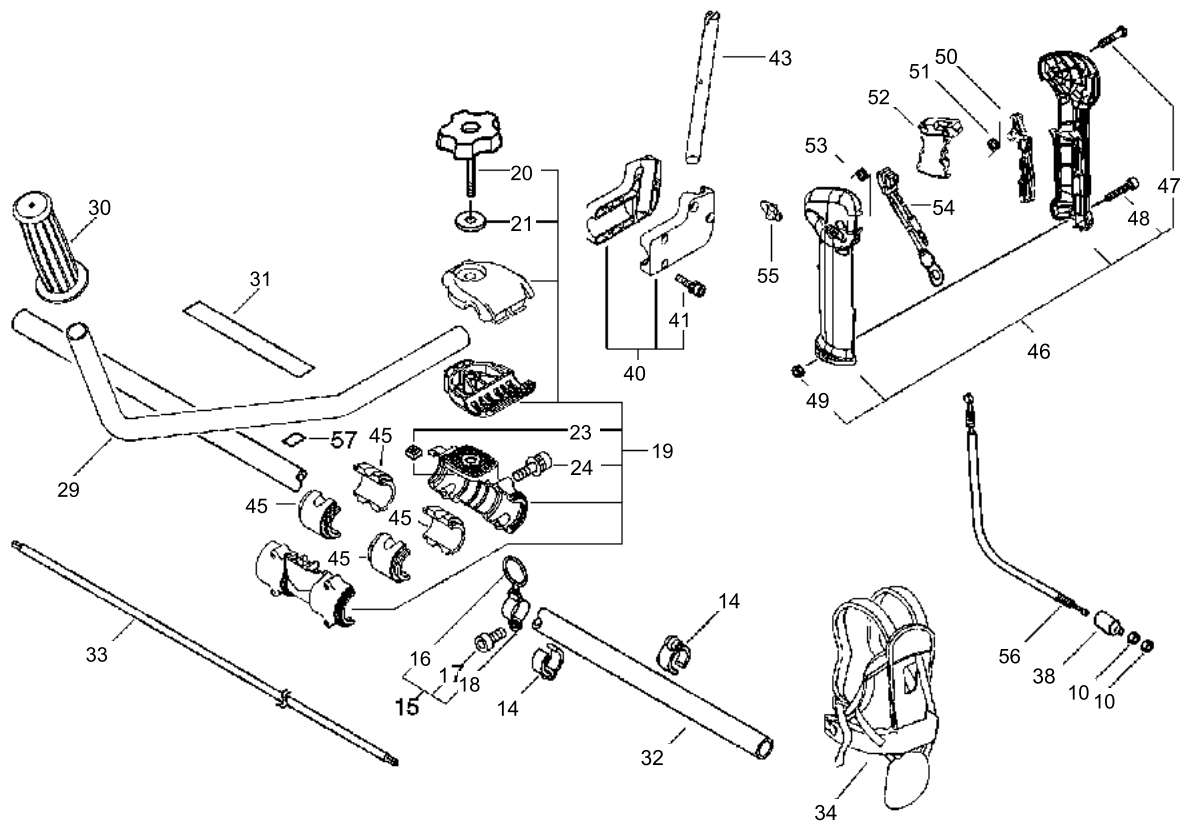
U-Handle(Sr/Nr 36003253 to 36022697)



U-Handle(Sr/Nr 36003253 to 36022697)

KEY NO	LV(+)	Part No	Description	Qty	Standard	Comment
34		C062-000181	HARNESS,SHOULDER	1		Sus. by C062-000182
37		C463-000000	KNOB,LATCH	1		Sr/Nr 36003253 to 36022697
38		V494-000080	CAP	1		
40		351302-47530	BRACKET, HANDLE	1		Sus. by P021-012730
41	+	900162-05025	BOLT, H.S. 5*25	4	5*25 W,SW	Sus. by 91118-05025
43		351210-47530	HANDLE, REAR	1		
45		V420-001120	CUSHION	4		

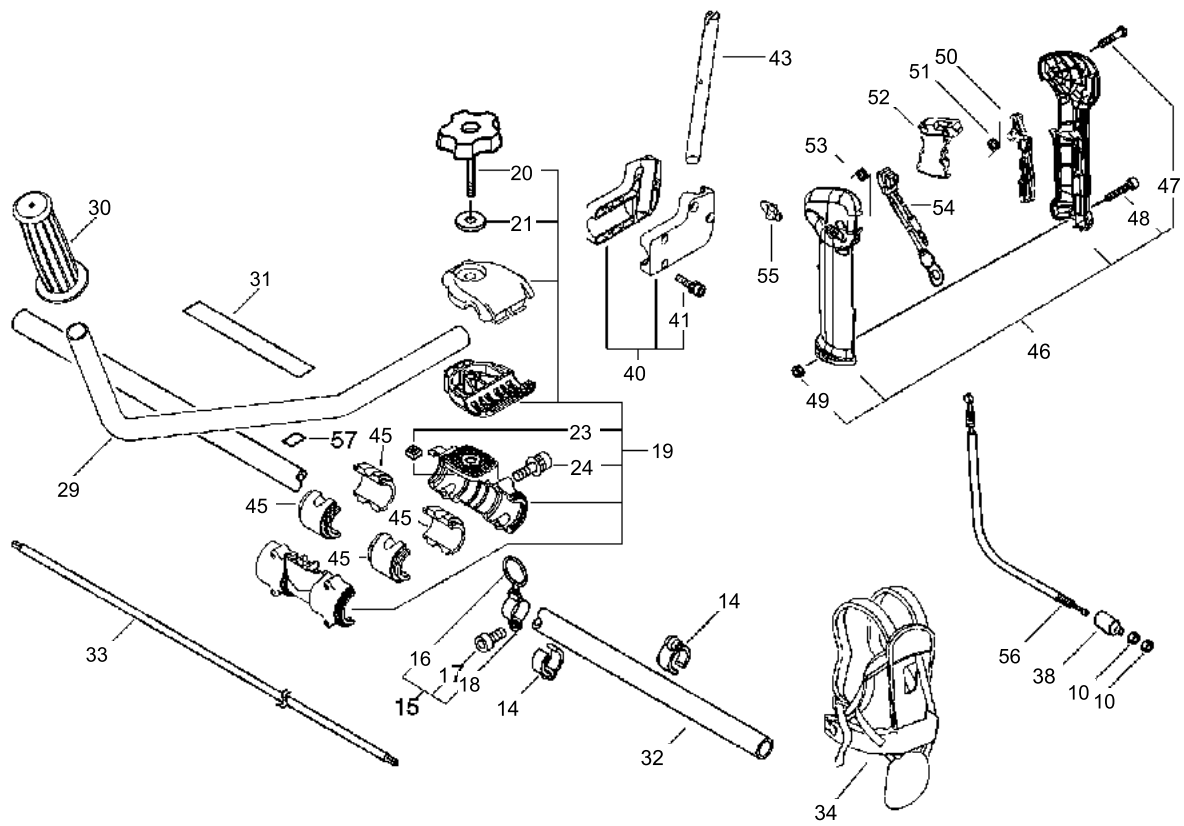
U-Handle(Sr/Nr 36022998 and after)



U-Handle(Sr/Nr 36022998 and after)

KEY NO	LV(+)	Part No	Description	Qty	Standard	Comment
10		900502-00006	NUT 6 (3N)	2	3N6	
14		224924-52930	CLIP	2	28MM	
15		P021-012660	HOOK ASY	1		
16	+	301015-05330	HOOK, BAND	1		
17	+	91119-05012	BOLT	1	CB-5*12	
18	+	301210-04630	HOOK	1		
19		P021-012750	BRACKET ASY, HANDLE	1		
20	+	V299-000110	KNOB,FASTENER	1		
21	+	605014-54230	WASHER	1		
23	+	900565-50008	NUT	1	8*1.25	
24	+	91118-05035	BOLT	4		
29		C400-000400	HANDLE,FRONT	1		
30		351213-47531	GRIP, HANDLE	1		
31		890617-43130	LABEL,CAUTION	1		
32		C050-000880	PIPE, MAIN	1	T2.0*28	
33		610011-49930	SHAFT, DRIVE	1		Sus. by 610011-49931
34		C062-000182	HARNESS,SHOULDER	1		
38		V494-000080	CAP	1		
40		P021-012730	BRACKET ASY, HANDLE	1		
41	+	91118-05025	BOLT	4	CM-5*25	
43		351210-47530	HANDLE, REAR	1		
45		V420-001120	CUSHION	4		
46		P021-014090	GRIP ASY,F-HANDLE	1		Sr/Nr 36022998 and after
47	+	900256-04016	SCREW 4*16	3	4*16	Sr/Nr 36022998 and after
48	+	91119-05030	BOLT	1		Sr/Nr 36022998 and after
49	+	900500-00005	NUT 5	1	5	
50		C460-000110	LOCKOUT, THROTTLE	1		Sr/Nr 36022998 and after
51		V452-000360	SPRING,TORSION	1		Sr/Nr 36022998 and after
52		C450-000270	CONTROL, THROTTLE	1		Sr/Nr 36022998 and after
53		V452-000350	SPRING,TORSION	1		Sr/Nr 36022998 and after
54		P021-014620	SWITCH,ON OFF	1		Sr/Nr 36022998 and after
55		C463-000020	KNOB, LATCH	1		Sr/Nr 36022998 and after
56		V430-002090	CABLE,BOWDEN	1	968+87.5	Sr/Nr 36022998 and after

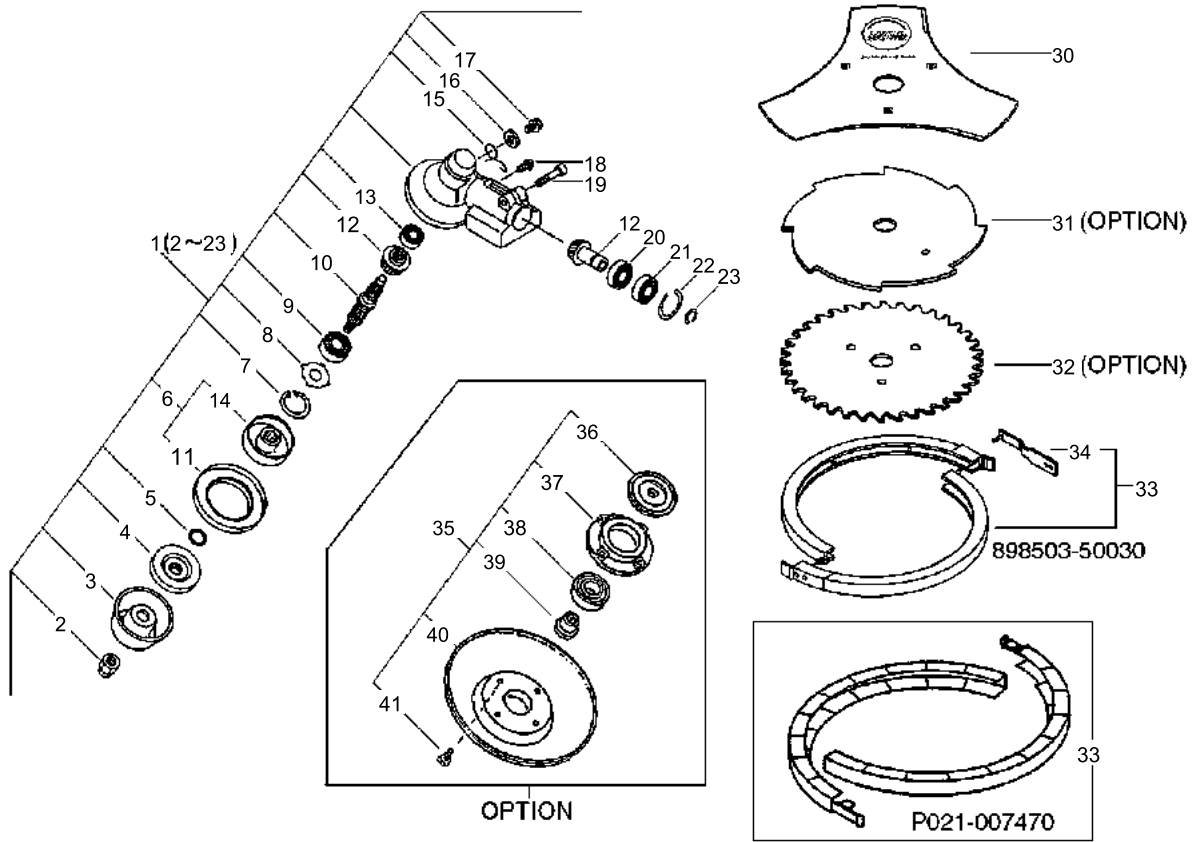
U-Handle(Sr/Nr 36022998 and after)



U-Handle(Sr/Nr 36022998 and after)

KEY NO	LV(+)	Part No	Description	Qty	Standard	Comment
57		890152-04930	LABEL, CAUTION	1		

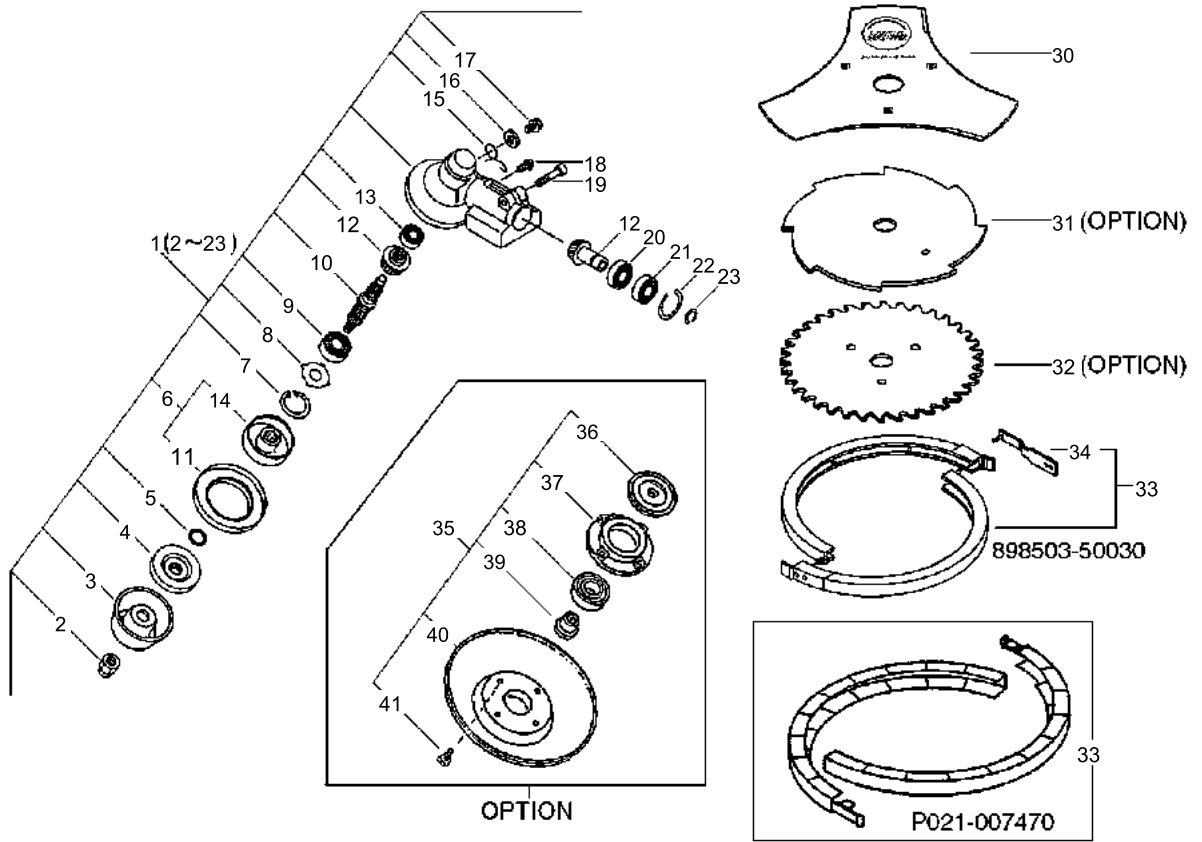
Gear Case(U-Handle Type), Blade(Sr/Nr 36028517 and befor)



Gear Case(U-Handle Type), Blade(Sr/Nr 36028517 and befor)

KEY NO	LV(+)	Part No	Description	Qty	Standard	Comment
1		610400-56931	CASE ASY, GEAR	1		Sus. by 610400-56932
1		610400-56932	CASE ASY, GEAR	1		Sus. by P021-012590
2	+	610320-52130	NUT 10	1		
3	+	699229-56830	PLATE, COVER	1		
4	+	610314-52130	PLATE, ADAPTER (L)	1		
5	+	900720-00012	O-RING 12	1	P-12	
6	+	C535-000000	FIXTURE,BLADE	1		Sus. by C535-000001
6	+	C535-000001	FIXTURE,BLADE	1		
11	++	610352-56830	PLATE, CUP	1		
14	++	C535-000010	FIXTURE,BLADE	1		Sus. by C535-000011
14	++	C535-000011	FIXTURE,BLADE	1		
7	+	900702-00032	CIRCLIP 32	1	CR-32	
8	+	610444-56830	WASHER	1		
9	+	900812-06201	BEARING	1	6201DDU(LLU)	
10	+	610310-56930	SHAFT, P.T.O.	1		Sus. by 610310-56931
12	+	610300-56930	GEAR SET	1		
13	+	900810-00629	BEARING, BALL 629	1	629	
15	+	610473-52131	SPRING	1		
16	+	900603-50008	WASHER	1	8.5*18*0.8T	
17	+	610434-50030	BOLT 8* 6	1		Sus. by 610434-50031
17	+	610434-50031	BOLT 8* 8	1	M8*8	
18	+	900242-05010	SCREW 5*10	1	5*10	
19	+	900162-06030	BOLT, H.S. 6*30	1	6*30W, SW	Sus. by 91118-06030
20	+	900800-06001	BEARING	1	6001	
21	+	900803-06001	BEARING, BALL 6001	1	6001Z	
22	+	900702-00028	CIRCLIP 28	1	CR-28	
23	+	900701-00012	CIRCLIP 12	1	CS-12	
30		X405-000000	SAW,BUSH CUTTER	1	3*255*25.4*T2.0	Sus. by X405-000001
30		X405-000001	SAW,BUSH CUTTER	1	3*255*25.4*T2.0	Sr/Nr 36028517 and befor
33		898503-50030	SCABBARD KIT, BLADE	1		Sus. by P021-007470
33		P021-007470	SCABBARD,BLADE	1		Sr/Nr 36028517 and befor
34	+	898562-43230	FIXTURE, SCABBARD	1		Can be used on 898503-50030 only
31		696001-55630	BLADE, 8-CUTTER 10IN	1		Sus. by 696001-55631
31		696001-55631	BLADE, 8-CUTTER 10IN	1	255*8T*1.4 PD25	OPTION

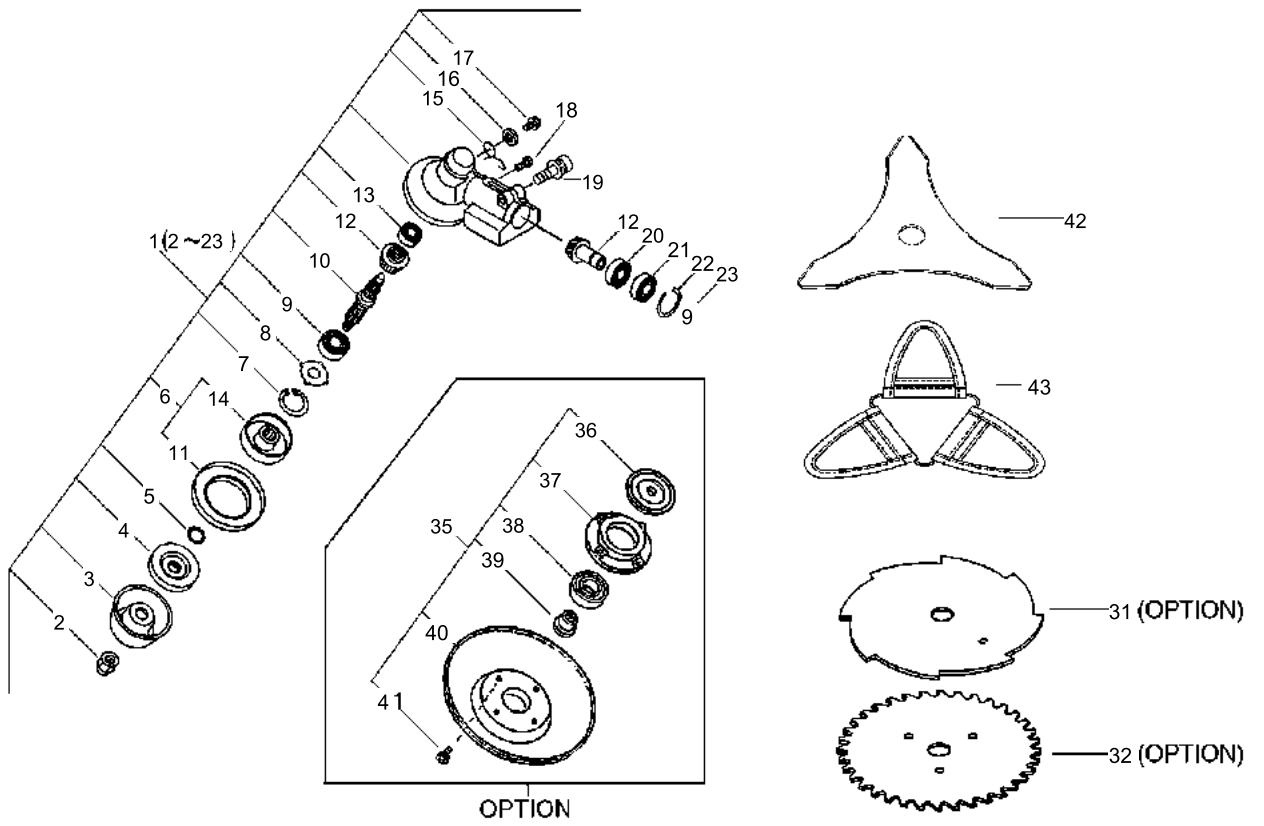
Gear Case(U-Handle Type), Blade(Sr/Nr 36028517 and befor)



Gear Case(U-Handle Type), Blade(Sr/Nr 36028517 and befor)

KEY NO	LV(+)	Part No	Description	Qty	Standard	Comment
32		695001-55630	SAW,CIRCULAR 10*80T	1		Sus. by 695001-55631
32		695001-55631	SAW, CIRCULAR 10*80T	1	255*80T*1.4 PD25	OPTION
35		699200-56830	CAP ASSY, FREE	1		OPTION
36	+	610313-56830	PLATE, ADAPTER (U)	1		OPTION
37	+	699226-05430	HOLDER, BEARING	1		OPTION
38	+	900814-06202	BEARING, BALL 6202	1	6202ZZ	OPTION
39	+	699227-04630	NUT	1		OPTION
40	+	699228-08930	PLATE, COVER	1		OPTION
41	+	900141-05012	BOLT 5*12	4	5*12	OPTION

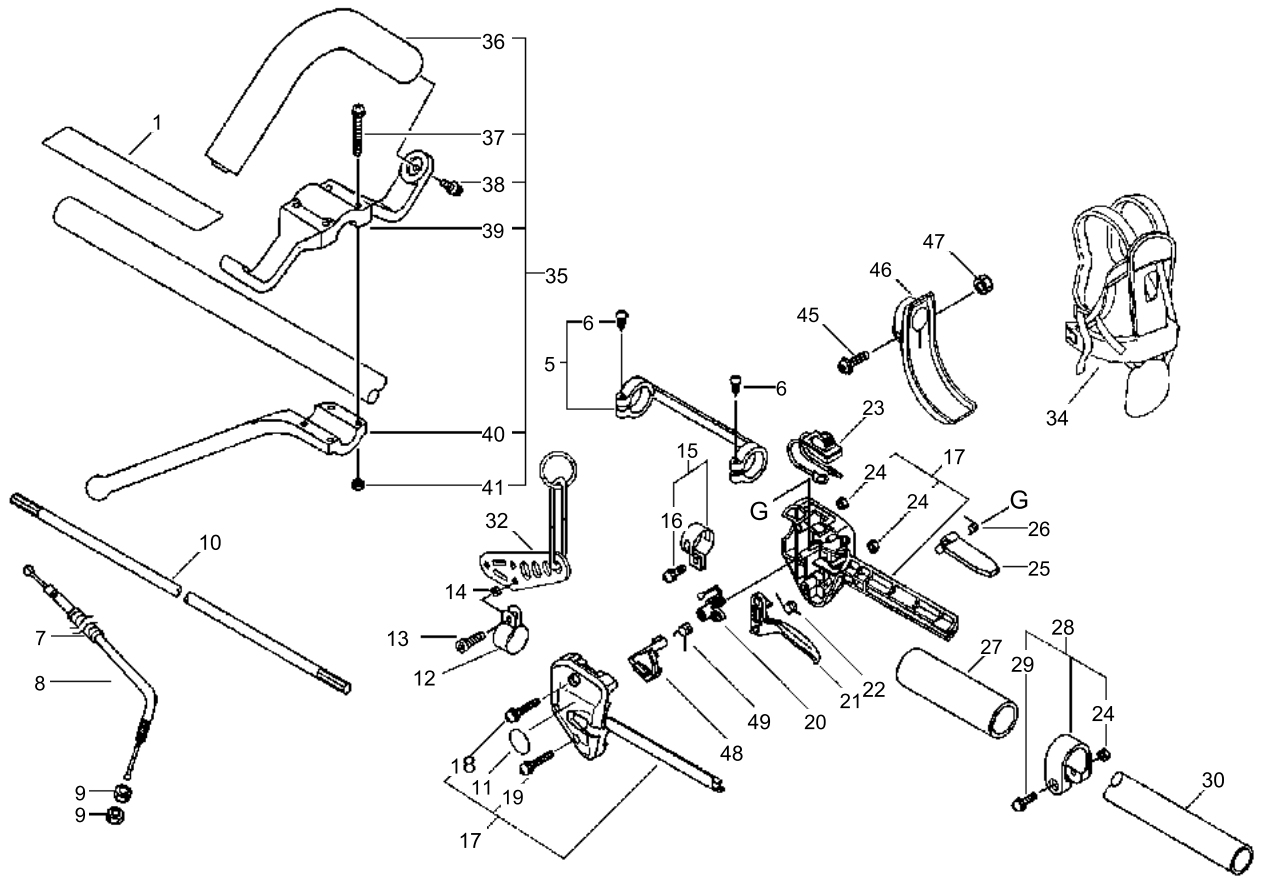
Gear Case(U-Handle Type), Blade(Sr/Nr 36028518 and after)



Gear Case(U-Handle Type), Blade(Sr/Nr 36028518 and after)

KEY NO	LV(+)	Part No	Description	Qty	Standard	Comment
1		P021-012591	CASE,GEAR	1		
2	+	610320-52130	NUT 10	1		
3	+	699229-56830	PLATE, COVER	1		
4	+	610314-52130	PLATE, ADAPTER (L)	1		
5	+	900720-00012	O-RING 12	1	P-12	
6	+	C535-000001	FIXTURE,BLADE	1		
11	++	610352-56830	PLATE, CUP	1		
14	++	C535-000011	FIXTURE,BLADE	1		
7	+	900702-00032	CIRCLIP 32	1	CR-32	
8	+	610444-56830	WASHER	1		
9	+	900812-06201	BEARING	1	6201DDU(LLU)	
10	+	610310-56931	SHAFT, P.T.O.	1		
12	+	610300-56930	GEAR SET	1		
13	+	900810-00629	BEARING, BALL 629	1	629	
15	+	610473-52131	SPRING	1		
16	+	900603-50008	WASHER	1	8.5*18*0.8T	
17	+	610434-50031	BOLT 8* 8	1	M8*8	
18	+	900242-05010	SCREW 5*10	1	5*10	
19	+	91118-06030	BOLT	1	CM-6*30	
20	+	900800-06001	BEARING	1	6001	
21	+	900803-06001	BEARING, BALL 6001	1	6001Z	
22	+	900702-00028	CIRCLIP 28	1	CR-28	
23	+	900701-00012	CIRCLIP 12	1	CS-12	
31		696001-55631	BLADE, 8-CUTTER 10IN	1	255*8T*1.4 PD25	
32		695001-55631	SAW, CIRCULAR 10*80T	1	255*80T*1.4 PD25	
35		699200-56830	CAP ASSY, FREE	1		
36	+	610313-56830	PLATE, ADAPTER (U)	1		
37	+	699226-05430	HOLDER, BEARING	1		
38	+	900814-06202	BEARING, BALL 6202	1	6202ZZ	
39	+	699227-04630	NUT	1		
40	+	699228-08930	PLATE, COVER	1		
41	+	900141-05012	BOLT 5*12	4	5*12	
42		P021-014320	SAW,BUSH CUTTER	1	255*T3.0	Sr/Nr 36028518 and after
43		X495-000250	SCABBARD,BLADE	1	9"/10" 3 CUTTER	Sr/Nr 36028518 and after

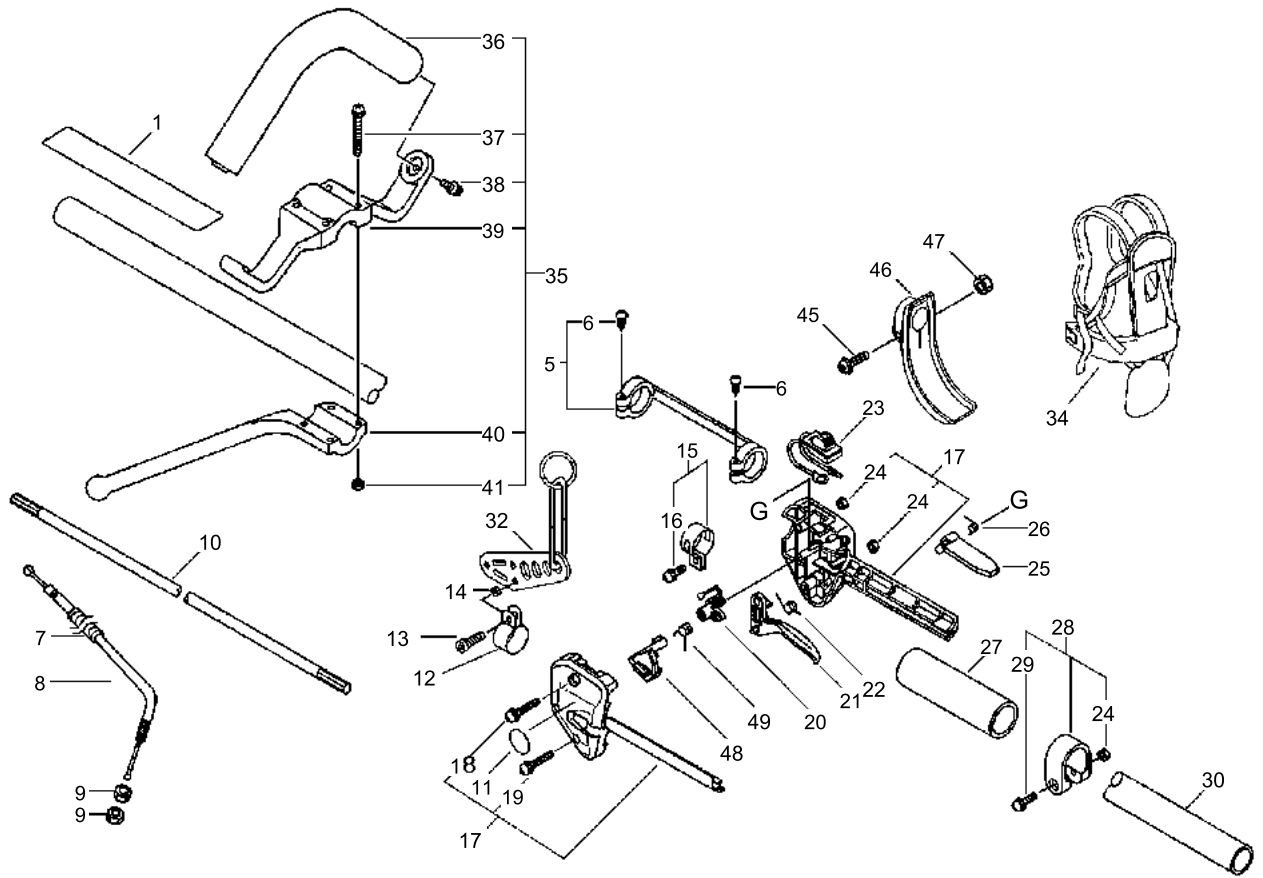
Loop Handle(Sr/Nr 36003752 and before)



Loop Handle(Sr/Nr 36003752 and before)

KEY NO	LV(+)	Part No	Description	Qty	Standard	Comment
1		X505-000140	LABEL,CAUTION	1		
5		610281-42230	COLLER	1		
6	+	900253-04025	SCREW 4*25	2	4*25	
7		178127-06960	TUBE	1	7*150	
8		V430-000330	CABLE,BOWDEN	1	IN58:LTYPE480	
9		900502-00006	NUT 6 (3N)	2	3N6	
10		610011-49930	SHAFT, DRIVE	1		
11		890157-39130	LABEL, SWITCH	1		Sr/Nr 35008110 and before
12		301207-07530	HOOK	2		
13		900105-05018	BOLT, H.S. 5*18	2	5*18	
14		V353-000090	COLLAR,5	2		
15		301200-42230	HOOK ASSY	1		
16	+	900242-05014	SCREW 5*14	1	5*14	
17		178003-51830	BRACKET SET, THROTTLE	1		Sr/Nr 35008110 and before
17		P021-005890	BRACKET SET, THROTTLE	1		Sr/Nr 35008111 and after
18	+	900242-05035	SCREW 5*35	1	5*35	
19	+	900242-05025	SCREW 5*25	1	5*25	
24	+	900500-00005	NUT 5	2	5	
20		178012-52630	LOCKOUT, THROTTLE	1		Sr/Nr 35008110 and before
20		178012-52630	LOCKOUT, THROTTLE	1		Sr/Nr 35008111 and after
21		178010-52130	CONTROL, THROTTLE	1		Sr/Nr 35008110 and before
21		C450-000110	TRIGGER,THROTTLE	1		Sr/Nr 35008111 and after
22		178043-42230	SPRING, THR. RETURN	1		
23		A440-000230	SWITCH,ON OFF	1		
25		178090-52630	LOCKOUT, T. CONTROL	1		Sus. by 178090-52632
25		178090-52631	LOCKOUT, T. CONTROL	1		Sus. by 178090-52632
25		178090-52632	LOCKOUT, T. CONTROL	1		
26		178013-52630	SPRING, THR. LOCK	1		
27		351213-51830	GRIP, FRONT HANDLE	1		
28		610272-51830	BAND	1		
24	+	900500-00005	NUT 5	1	5	
29	+	900242-05028	SCREW 5*28	1	5*28	
30		C050-000050	PIPE,MAIN	1		
32		C624-000000	HANGER,HARNESS	1		
34		301001-56831	HARNESS ASY, SHOULDER	1		Sus. by C062-000181

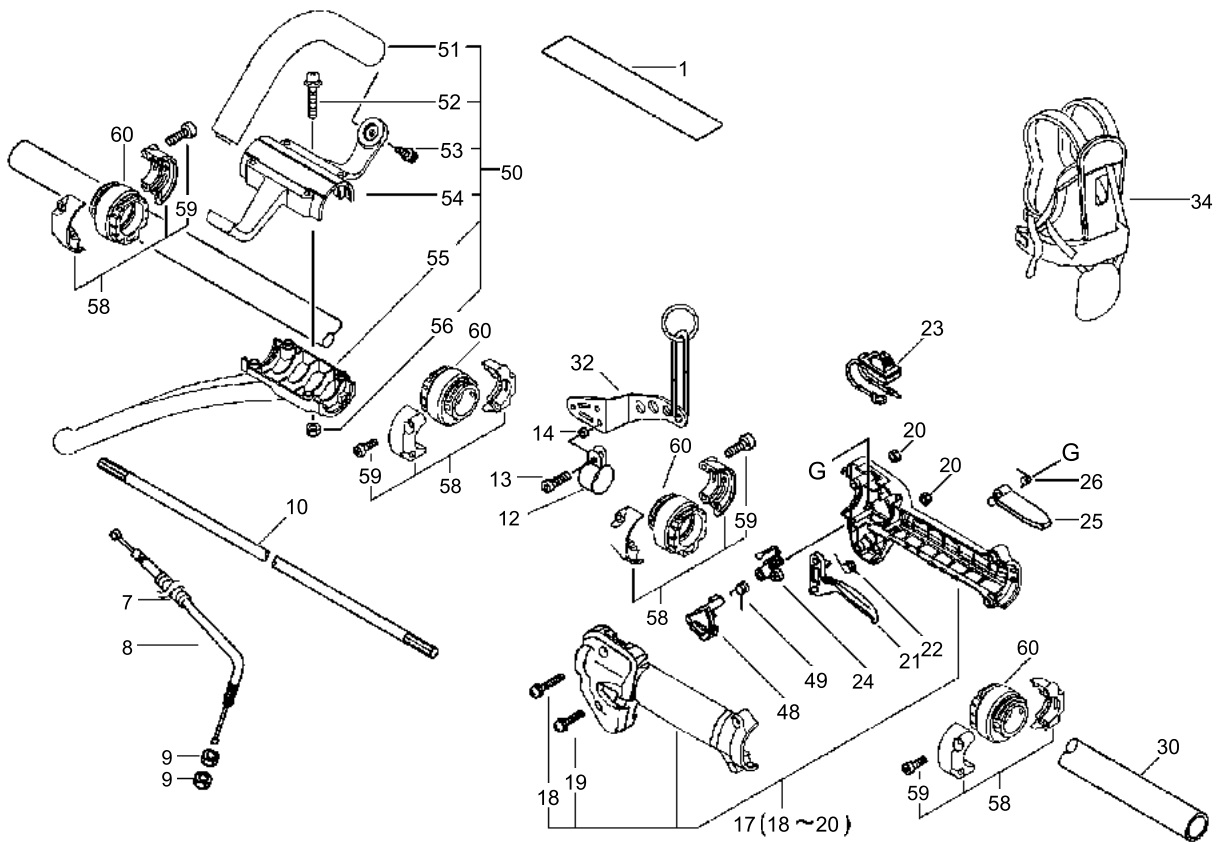
Loop Handle(Sr/Nr 36003752 and before)



Loop Handle(Sr/Nr 36003752 and before)

KEY NO	LV(+)	Part No	Description	Qty	Standard	Comment
34		C062-000180	HARNESS,SHOULDER	1	ECHO	Sus. by C062-000181
34		C062-000181	HARNESS,SHOULDER	1		
35		351201-50430	HANDLE ASSY, LOOP	1		
36	+	351205-07130	HANDLE	1		
37	+	900242-05035	SCREW 5*35	4	5*35	
38	+	900242-05014	SCREW 5*14	2	5*14	
39	+	351232-07130	BRACKET, HANDLE 28	1		
40	+	351643-55630	BRACKET, HANDLE	1		
41	+	900500-00005	NUT 5	4	5	
45		900242-05025	SCREW 5*25	1	5*25	
46		A248-000000	GUARD,LEVER	1		
47		900500-00005	NUT 5	1	5	
48		C461-000010	LATCH,THROTTLE	1		Sr/Nr 35008111 and after
49		V452-000120	SPRING,TORSION	1		Sr/Nr 35008111 and after

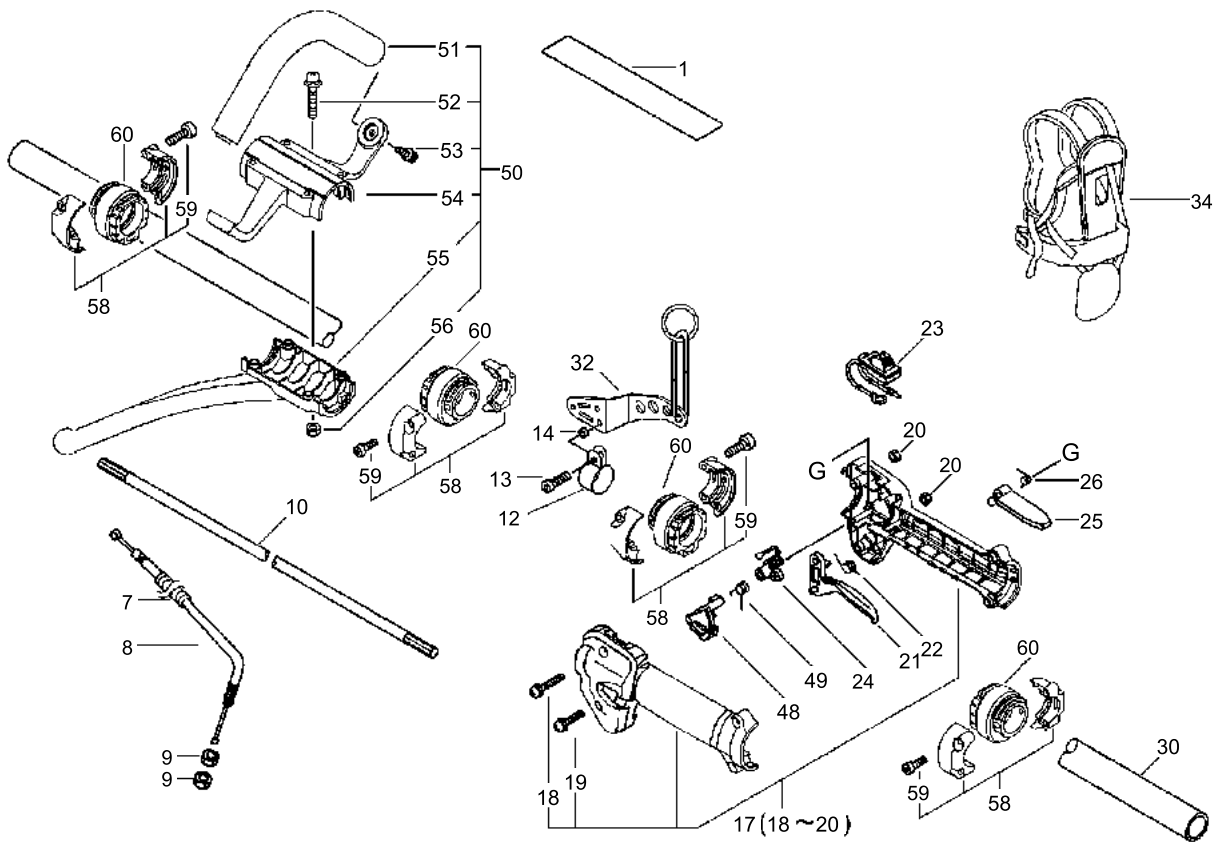
Loop Handle(Sr/Nr 36003753 to 36022897)



Loop Handle(Sr/Nr 36003753 to 36022897)

KEY NO	LV(+)	Part No	Description	Qty	Standard	Comment
1		X505-000140	LABEL,CAUTION	1		
7		V475-003580	TUBE	1	7*170	
8		V430-001460	CABLE,BOWDEN	1		
9		900502-00006	NUT 6 (3N)	2	3N6	
10		610011-49930	SHAFT, DRIVE	1		Sus. by 610011-49931
12		301207-07530	HOOK	2		
13		900105-05018	BOLT, H.S. 5*18	2	5*18	Sus. by 91118-05025
14		V353-000090	COLLAR,5	2		
17		P021-007990	BRACKET SET, THROTTLE	1		Sr/Nr 36003753 to 36022897
18	+	900242-05035	SCREW 5*35	1	5*35	Sr/Nr 36003753 to 36022897
19	+	900242-05025	SCREW 5*25	3	5*25	Sr/Nr 36003753 to 36022897
20	+	900500-00005	NUT 5	4	5	
21		C450-000110	TRIGGER,THROTTLE	1		
22		V452-000200	SPRING,TORSION	1		
23		A440-000600	SWITCH,ON OFF	1		Sr/Nr 36003753 to 36022897
24		C461-000000	LATCH,THROTTLE	1		
25		178090-52631	LOCKOUT, T. CONTROL	1		Sus. by 178090-52632
25		178090-52632	LOCKOUT, T. CONTROL	1		
26		178013-52630	SPRING, THR. LOCK	1		
30		C050-000050	PIPE,MAIN	1		Sus. by C050-000880
32		C624-000020	HANGER,HARNESS	1		Sr/Nr 36003753 to 36022897
34		C062-000180	HARNESS,SHOULDER	1	ECHO	Sus. by C062-000181
34		C062-000181	HARNESS,SHOULDER	1		Sus. by C062-000182
48		C461-000010	LATCH,THROTTLE	1		
49		V452-000120	SPRING,TORSION	1		
50		P021-009200	HANDLE ASY, LOOP	1		Sus. by P021-009201
50		P021-009201	HANDLE ASY, LOOP	1		Sr/Nr 36003753 to 36022897
51	+	351205-07130	HANDLE	1		
52	+	900242-05035	SCREW 5*35	4	5*35	
53	+	900242-05014	SCREW 5*14	2	5*14	
54	+	C405-000150	BRACKET,HANDLE	1		Sr/Nr 36003753 to 36022897
55	+	C405-000160	BRACKET,HANDLE	1		
56	+	900500-00005	NUT 5	4	5	

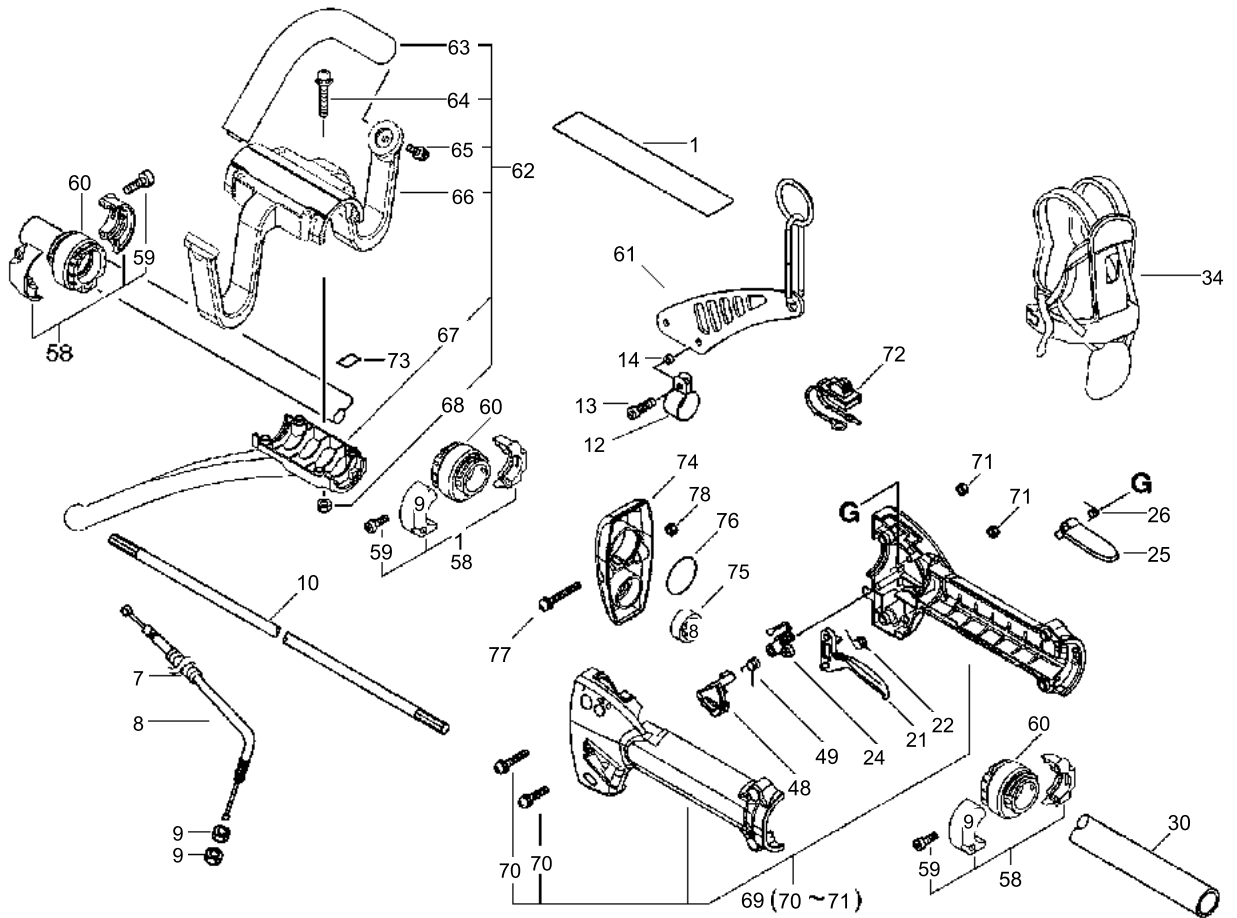
Loop Handle(Sr/Nr 36003753 to 36022897)



Loop Handle(Sr/Nr 36003753 to 36022897)

KEY NO	LV(+)	Part No	Description	Qty	Standard	Comment
58		P021-008000	FIXTURE,ASY HANDLE	4		Sus. by P021-012640
59	+	900162-05025	BOLT, H.S. 5*25	8	5*25 W,SW	Sus. by 91118-05025
60		V420-001061	CUSHION	4		Qty 4->3

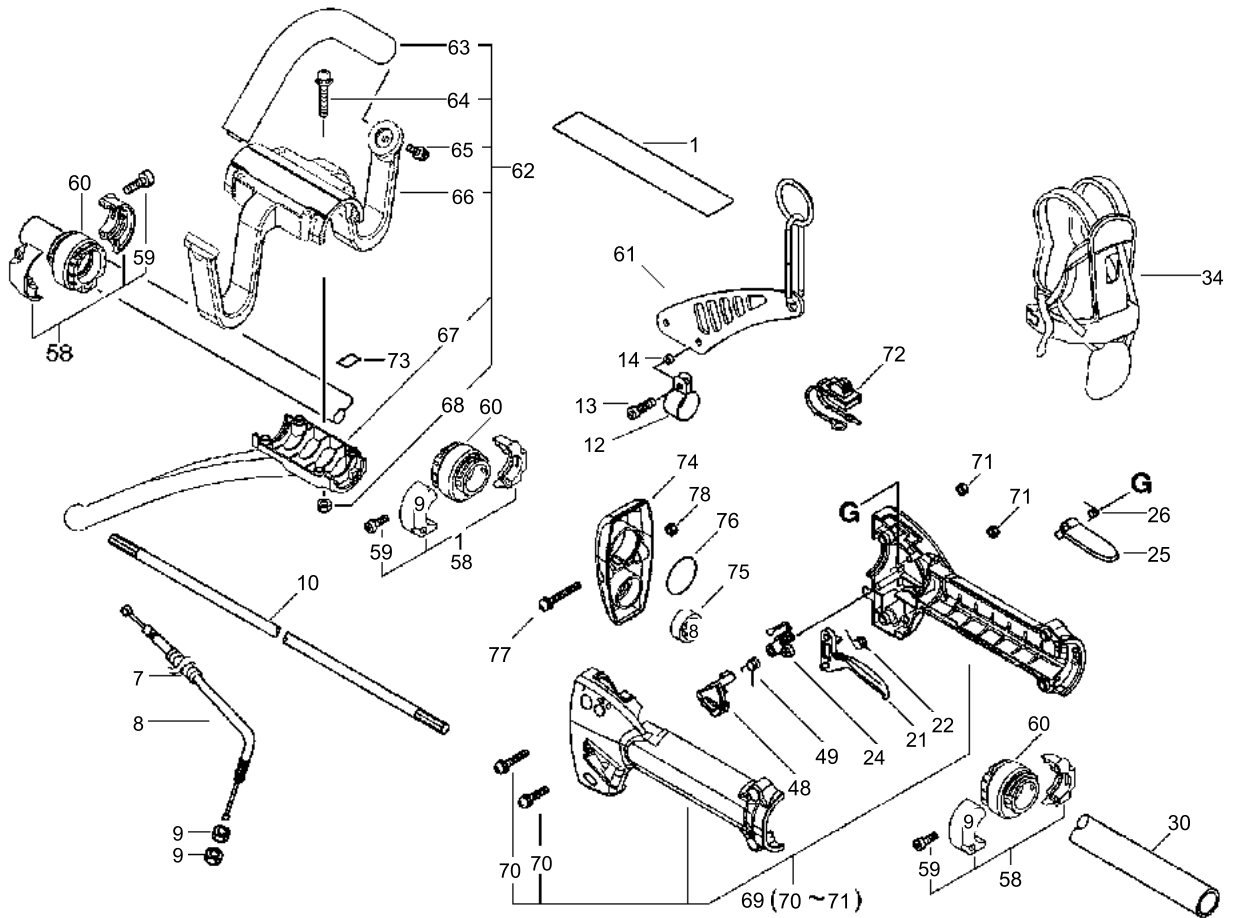
Loop Handle(Sr/Nr 3602289 and after)



Loop Handle(Sr/Nr 3602289 and after)

KEY NO	LV(+)	Part No	Description	Qty	Standard	Comment
1		X505-000140	LABEL,CAUTION	1		
7		V475-003580	TUBE	1	7*170	
8		V430-001460	CABLE,BOWDEN	1		
9		900502-00006	NUT 6 (3N)	2	3N6	
10		610011-49930	SHAFT, DRIVE	1		Sus. by 610011-49931
12		301207-07530	HOOK	2		
14		V353-000090	COLLAR,5	2		
21		C450-000110	TRIGGER,THROTTLE	1		
22		V452-000200	SPRING,TORSION	1		
24		C461-000000	LATCH,THROTTLE	1		
25		178090-52632	LOCKOUT, T. CONTROL	1		
26		178013-52630	SPRING, THR. LOCK	1		
30		C050-000880	PIPE, MAIN	1	T2.0*28	
32		C624-000020	HANGER,HARNESS	1		
34		C062-000182	HARNESS,SHOULDER	1		
48		C461-000010	LATCH,THROTTLE	1		
49		V452-000120	SPRING,TORSION	1		
58		P021-012640	BRACKET ASM., HANDLE	3		
59	+	91118-05025	BOLT	6	CM-5*25	
60		V420-001061	CUSHION	3		
61		C624-000040	HANGER, HARNESS	1		Sr/Nr 3602289 and after
62		P021-009202	HANDLE ASY, LOOP	1		Sr/Nr 3602289 and after
63	+	351205-07130	HANDLE	1		
64	+	900242-05035	SCREW 5*35	4	5*35	
65	+	900242-05014	SCREW 5*14	2	5*14	
66	+	C405-000270	BRACKET,HANDLE	1		Sr/Nr 3602289 and after
67	+	C405-000160	BRACKET,HANDLE	1		
68	+	900500-00005	NUT 5	4	5	
69		P021-014170	BRACKET SET, THROTTLE	1		Sr/Nr 3602289 and after
70	+	900238-05022	SCREW 5*22	4	5*22	Sr/Nr 3602289 and after
71	+	900500-00005	NUT 5	4	5	
72		A440-001080	SWITCH, ON OFF	1	LA105:CA104	Sr/Nr 3602289 and after
73		890152-04930	LABEL, CAUTION	1		Sr/Nr 3602289 and after
74		C423-000340	FIXTURE, HANDLE	1	28	Sr/Nr 3602289 and after

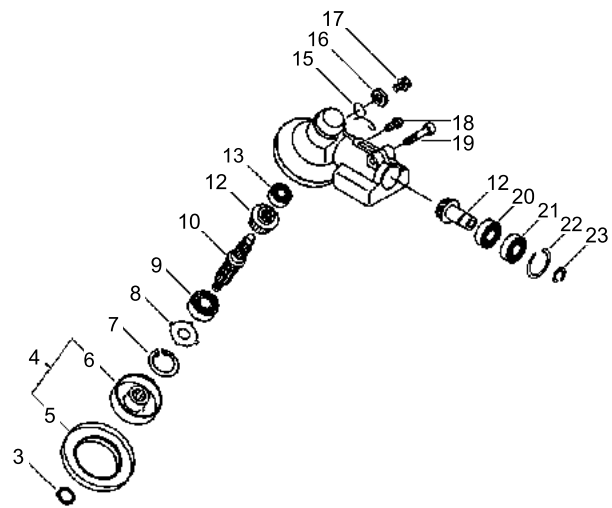
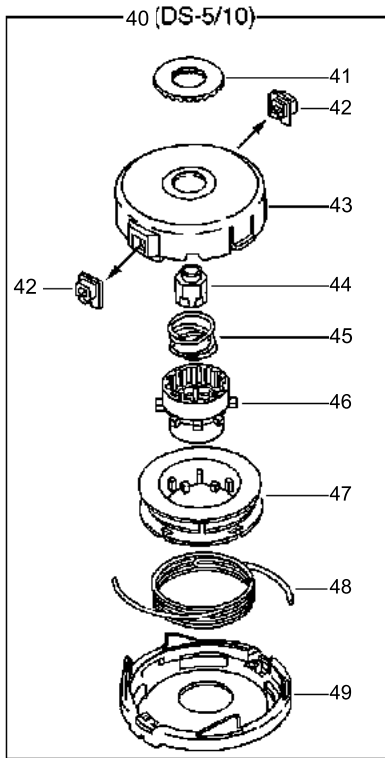
Loop Handle(Sr/Nr 3602289 and after)



Loop Handle(Sr/Nr 3602289 and after)

KEY NO	LV(+)	Part No	Description	Qty	Standard	Comment
75		V420-001720	CUSHION	1		Sr/Nr 3602289 and after
76		900720-00032	O-RING 32	1	P-32	Sr/Nr 3602289 and after
77		900238-05040	SCREW 5*40	1	5*40	Sr/Nr 3602289 and after
78		900500-00005	NUT 5	1	5	Sr/Nr 3602289 and after

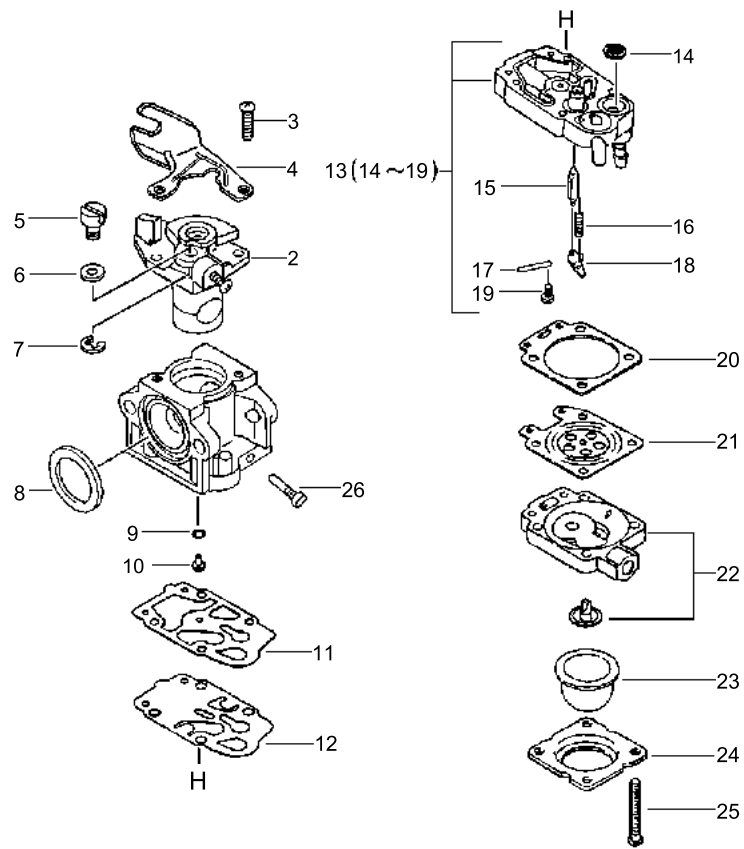
Gear Case(Loop Handle Type), Nylon Line Cutting Head



Gear Case(Loop Handle Type), Nylon Line Cutting Head

KEY NO	LV(+)	Part No	Description	Qty	Standard	Comment
3		900720-00012	O-RING 12	1	P-12	
4		C535-000000	FIXTURE, BLADE	1		Sus. by C535-000001
4		C535-000001	FIXTURE, BLADE	1		
5	+	610352-56830	PLATE, CUP	1		
6	+	C535-000010	FIXTURE, BLADE	1		Sus. by C535-000011
6	+	C535-000011	FIXTURE, BLADE	1		
7		900702-00032	CIRCLIP 32	1	CR-32	
8		610444-56830	WASHER	1		
9		900812-06201	BEARING	1	6201DDU(LLU)	
10		610310-56930	SHAFT, P.T.O.	1		
12		610300-56930	GEAR SET	1		
13		900810-00629	BEARING, BALL 629	1	629	
15		610473-52131	SPRING	1		
16		900603-50008	WASHER	1	8.5*18*0.8T	
17		610434-50030	BOLT 8* 6	1		Sus. by 610434-50031
17		610434-50031	BOLT 8* 8	1	M8*8	
18		900242-05010	SCREW 5*10	1	5*10	
19		900162-06030	BOLT, H.S. 6*30	1	6*30W, SW	Sus. by 91118-06030
20		900800-06001	BEARING	1	6001	
21		900803-06001	BEARING, BALL 6001	1	6001Z	
22		900702-00028	CIRCLIP 28	1	CR-28	
23		900701-00012	CIRCLIP 12	1	CS-12	
40		X047-000070	CUTTER, ASM LINE	1	DS-5/10	Sus. by X047-000220
40		X047-000220	CUTTER, ASM LINE	1	DS-5 M10L	DS-5/10
41	+	V332-000000	WASHER, CIRCULAR 24	1		
42	+	P022-000710	EYELET	2	T4	
43	+	X470-000000	DRUM, REEL	1		Sus. by P022-005040
43	+	P022-005040	HOUSING	1		
44	+	P022-001160	NUT	1		
45	+	P022-001200	SPRING	1	DS-5/10	
46	+	P022-001310	TAP KNOB	1	DS-5/10	Sus. by P022-019450
46	+	P022-019450	TAP KNOB	1		
47	+	P022-001180	BOBBIN	1	DS-5/10	
48	+	P022-000730	NYLON CODE	1	2.4*3M B4-K	Sus. by P022-006200
48	+	P022-006200	NYLON CODE	1	3.0*3M	
49	+	P022-001190	COVER	1	DS-5/10	Sus. by P022-005030
49	+	P022-005030	COVER	1		

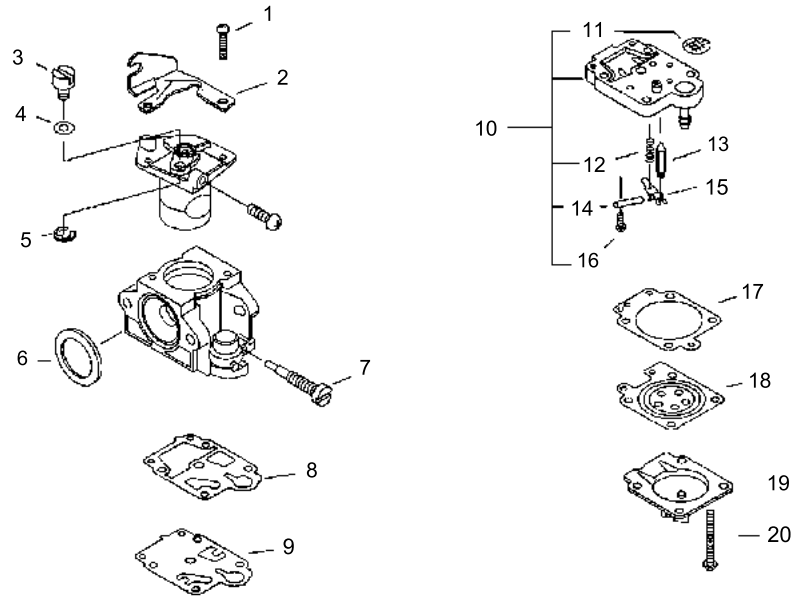
Carburetor(Sr/Nr 36006992 and before)



Carburetor(Sr/Nr 36006992 and before)

KEY NO	LV(+)	Part No	Description	Qty	Standard	Comment
		A021-000340	CARBURETOR, DIAPHRAGM	1		Sus. by A021-000341
		A021-000341	CARBURETOR, DIAPHRAGM	1	WYK-158A	Sr/Nr 35999999 and before
		A021-000591	CARBURETOR, DIAPHRAGM	1	WYK-173A	Sus. by A021-001030
		A021-001030	CARBURETOR, DIAPHRAGM	1	WYK-216	Sr/Nr 36000001 and after
2	+	P003-000710	VALVE ASY THROTTLE	1		Sr/Nr 35999999 and before
3	+	123114-40630	SCREW	2		
4	+	P003-000180	BRACKET CABLE	1		
5	+	123172-45130	SWIVEL	1		
6	+	123149-54230	WASHER	1		
7	+	123173-07930	CLIP	1		
8	+	123143-12110	RING, PACKING	1		
9	+	123183-40630	O-RING	1		Sr/Nr 36001840 and before
10	+	P003-000700	JET	1		Sr/Nr 35999999 and before
10	+	P003-000980	JET	1		Sr/Nr 36000001 to 36001840
11	+	123125-40630	GASKET, PUMP	1		Sr/Nr 35999999 and before
11	+	P003-000100	GASKET, PUMP	1		Sr/Nr 36000001 and after
12	+	123112-40630	DIAPHRAGM, PUMP	1		
13	+	P003-000510	BODY ASSEMBLY, PUMP	1		
14	++	123126-10631	SCREEN, INLET	1		
15	++	123137-19830	VALVE, INLET NEEDLE	1		
16	++	123122-05560	SPRING, METER. LEVER	1		
17	++	123138-03930	PIN, METERING LEVER	1		
18	++	123123-03930	LEVER, METERING	1		
19	++	123139-05560	SCREW, M. LEVER PIN	1		
20	+	123140-05560	GASKET, M. DIAPHRAGM	1		
21	+	P003-000090	METERING, DIAPHRAGM	1		
22	+	123180-05560	BODY, AIR PURGE	1		
23	+	123181-40630	PUMP, PRIMER	1		
24	+	123142-05560	COVER, PRIMER PUMP	1		
25	+	123110-05560	SCREW, PUMP COVER	4		
26	+	P003-001130	NEEDLE, HIGH SPEED	1		Sr/Nr 36001841 and after

Carburetor(Sr/Nr 36006993 and after)



Carburetor(Sr/Nr 36006993 and after)

KEY NO	LV(+)	Part No	Description	Qty	Standard	Comment
		A021-001160	CARBURETOR, DIAPHRAGM	1	WYK-227	
1	+	123114-40630	SCREW	2		
2	+	P003-000180	BRACKET CABLE	1		
3	+	123172-45130	SWIVEL	1		
4	+	123149-54230	WASHER	1		
5	+	123173-07930	CLIP	1		
6	+	123143-12110	RING, PACKING	1		
7	+	P003-001130	NEEDLE, HIGH SPEED	1		
8	+	P003-000100	GASKET, PUMP	1		
9	+	123112-40630	DIAPHRAGM, PUMP	1		
10	+	P003-001490	BODY ASSEMBLY, PUMP	1		
11	++	123126-10631	SCREEN, INLET	1		
12	++	123122-05560	SPRING, METER. LEVER	1		
13	++	123137-19830	VALVE, INLET NEEDLE	1		
14	++	123138-03930	PIN, METERING LEVER	1		
15	++	123123-03930	LEVER, METERING	1		
16	++	123139-05560	SCREW, M. LEVER PIN	1		
17	+	123140-27230	GASKET,M. DIAPHRAGM	1		
18	+	P003-000090	METERING, DIAPHRAGM	1		
19	+	P003-001500	COVER, PRIMER PUMP	1		
20	+	123144-44330	SCREW	4		

NUMERICAL PARTS INDEX

Part No	Part description	Page	Part No	Part description	Page	Part No	Part description	Page
100012-12331	BEARING, NEEDLE	2	131205-19830	STRAINER, FUEL	18	301200-05230	HOOK ASS'Y	24
100012-12331	BEARING, NEEDLE	4	131300-56430	VALVE, CHECK	18	301200-05230	HOOK ASS'Y	28
100015-00120	CIRCLIP, PISTON PIN	4	132010-53630	PIPE	18	301200-42230	HOOK ASSY	42
100213-00310	OILSEAL	6	132012-02960	PIPE, FUEL	18	301207-07530	HOOK	42
100213-05530	OILSEAL	4	132012-39330	PIPE, W/GROMMET	14	301207-07530	HOOK	46
100215-03930	PIN, DOWEL	6	132012-39331	PIPE	16	301207-07530	HOOK	50
101113-37530	SPRING	4	132013-26630	CLIP	18	301210-04630	HOOK	24
123110-05560	SCREW, PUMP COVER	56	132115-55930	GROMMET, FUEL	18	301210-04630	HOOK	28
123112-40630	DIAPHRAGM, PUMP	56	156114-04920	GROMMET	8	301210-04630	HOOK	32
123112-40630	DIAPHRAGM, PUMP	58	159017-31730	PLUG, SPARK RCJ-6Y	8	351010-52931	HANDLE, FRONT	24
123114-40630	SCREW	56	159025-37530	GASKET	4	351201-50430	HANDLE ASSY, LOOP	44
123114-40630	SCREW	58	159112-09960	CLIP	24	351202-51430	BRACKET ASSY, HANDLE	24
123122-05560	SPRING, METER. LEVER	56	162010-55630	LEAD, GROUND	8	351205-07130	HANDLE	44
123122-05560	SPRING, METER. LEVER	58	175048-03920	WASHER	8	351205-07130	HANDLE	46
123123-03930	LEVER, METERING	56	175049-03920	WASHER	8	351205-07130	HANDLE	50
123123-03930	LEVER, METERING	58	177218-40630	PAWL, STARTER	10	351210-47530	HANDLE, REAR	30
123125-40630	GASKET, PUMP	56	177220-06310	SPRING, REWIND	10	351210-47530	HANDLE, REAR	32
123126-10631	SCREEN, INLET	56	177226-06310	ROPE, STARTER	10	351213-47531	GRIP, HANDLE	28
123126-10631	SCREEN, INLET	58	177227-42030	GUIDE, ROPE	10	351213-47531	GRIP, HANDLE	32
123137-19830	VALVE, INLET NEEDLE	56	177228-27030	GRIP, STARTER	10	351213-51830	GRIP, FRONT HANDLE	42
123137-19830	VALVE, INLET NEEDLE	58	177236-06910	SCREW	10	351214-52931	HANDLE	24
123138-03930	PIN, METERING LEVER	56	178003-51830	BRACKET SET, THROTTLE	42	351232-07130	BRACKET, HANDLE	28 44
123138-03930	PIN, METERING LEVER	58	178010-52130	CONTROL, THROTTLE	42	351302-47530	BRACKET, HANDLE	30
123139-05560	SCREW, M. LEVER PIN	56	178012-52630	LOCKOUT, THROTTLE	42	351643-55630	BRACKET, HANDLE	44
123139-05560	SCREW, M. LEVER PIN	58	178013-52630	SPRING, THR. LOCK	42	437215-20760	PIPE 3*6*60	14
123140-05560	GASKET, M. DIAPHRAGM	56	178013-52630	SPRING, THR. LOCK	46	437215-20760	PIPE 3*6*60	16
123140-27230	GASKET, M. DIAPHRAGM	58	178013-52630	SPRING, THR. LOCK	50	437215-20760	PIPE 3*6*60	18
123142-05560	COVER, PRIMER PUMP	56	178043-42230	SPRING, THR. RETURN	42	605014-54230	WASHER	24
123143-12110	RING, PACKING	56	178090-52630	LOCKOUT, T. CONTROL	42	605014-54230	WASHER	28
123143-12110	RING, PACKING	58	178090-52631	LOCKOUT, T. CONTROL	42	605014-54230	WASHER	32
123144-44330	SCREW	58	178090-52631	LOCKOUT, T. CONTROL	46	610011-49930	SHAFT, DRIVE	26
123149-54230	WASHER	56	178090-52632	LOCKOUT, T. CONTROL	42	610011-49930	SHAFT, DRIVE	28
123149-54230	WASHER	58	178090-52632	LOCKOUT, T. CONTROL	46	610011-49930	SHAFT, DRIVE	32
123172-45130	SWIVEL	56	178090-52632	LOCKOUT, T. CONTROL	46	610011-49930	SHAFT, DRIVE	42
123172-45130	SWIVEL	58	178090-52632	LOCKOUT, T. CONTROL	50	610011-49930	SHAFT, DRIVE	46
123173-07930	CLIP	56	178127-06960	TUBE	42	610011-49930	SHAFT, DRIVE	50
123173-07930	CLIP	58	178127-43230	TUBE	24	610272-51830	BAND	42
123180-05560	BODY, AIR PURGE	56	224924-52930	CLIP	24	610281-42230	COLLER	42
123181-39130	PUMP, PRIMER	14	224924-52930	CLIP	28	610300-56930	GEAR SET	36
123181-39130	PUMP, PRIMER	16	224924-52930	CLIP	32	610300-56930	GEAR SET	40
123181-40630	PUMP, PRIMER	56	301001-56831	HARNES ASY, SHOULDER	26	610300-56930	GEAR SET	54
123183-40630	O-RING	56	301001-56831	HARNES ASY, SHOULDER	42	610310-56930	SHAFT, P.T.O.	36
131004-55530	CAP ASSY, FUEL TANK	18	301015-05330	HOOK, BAND	24	610310-56930	SHAFT, P.T.O.	54
131016-55830	GASKET, FUEL CAP	18	301015-05330	HOOK, BAND	28	610310-56931	SHAFT, P.T.O.	40
131051-56030	CLIP, FUEL CAP	18	301015-05330	HOOK, BAND	32	610313-56830	PLATE, ADAPTER (U)	38

NUMERICAL PARTS INDEX

Part No	Part description	Page	Part No	Part description	Page	Part No	Part description	Page
610313-56830	PLATE, ADAPTER (U)	40	890617-43130	LABEL,CAUTION	32	900162-06030	BOLT, H.S. 6*30	54
610314-52130	PLATE, ADAPTER (L)	36	895112-00330	SPANNER 8*10	20	900220-05030	SCREW 5*30	24
610314-52130	PLATE, ADAPTER (L)	40	895112-00330	SPANNER 8*10	22	900220-05030	SCREW 5*30	28
610320-52130	NUT 10	36	895410-08030	WRENCH, W/S. DRIVER	20	900238-05022	SCREW 5*22	50
610320-52130	NUT 10	40	895610-00130	L-WRENCH (4MM)	20	900238-05040	SCREW 5*40	52
610352-56830	PLATE, CUP	36	895610-00130	L-WRENCH (4MM)	22	900242-05010	SCREW 5*10	36
610352-56830	PLATE, CUP	40	898503-50030	SCABBARD KIT, BLADE	36	900242-05010	SCREW 5*10	40
610352-56830	PLATE, CUP	54	898510-39130	BAG, TOOL	20	900242-05010	SCREW 5*10	54
610400-56931	CASE ASY, GEAR	36	898510-39130	BAG, TOOL	22	900242-05014	SCREW 5*14	42
610400-56932	CASE ASY, GEAR	36	898562-43230	FIXTURE, SCABBARD	36	900242-05014	SCREW 5*14	44
610434-50030	BOLT 8* 6	36	899580-68730	SAFETY GLASSES	20	900242-05014	SCREW 5*14	46
610434-50030	BOLT 8* 6	54	900105-05012	BOLT, H.S. 5*12	24	900242-05014	SCREW 5*14	50
610434-50031	BOLT 8* 8	36	900105-05012	BOLT, H.S. 5*12	28	900242-05018	SCREW 5*18	20
610434-50031	BOLT 8* 8	40	900105-05018	BOLT, H.S. 5*18	42	900242-05018	SCREW 5*18	22
610434-50031	BOLT 8* 8	54	900105-05018	BOLT, H.S. 5*18	46	900242-05025	SCREW 5*25	42
610444-56830	WASHER	36	900105-05055	BOLT, H.S. 5*55	12	900242-05025	SCREW 5*25	44
610444-56830	WASHER	40	900105-05055	BOLT, H.S. 5*55	16	900242-05025	SCREW 5*25	46
610444-56830	WASHER	54	900105-06060	BOLT, H.S. 6*60	14	900242-05028	SCREW 5*28	42
610473-52131	SPRING	36	900105-06060	BOLT, H.S. 6*60	16	900242-05035	SCREW 5*35	42
610473-52131	SPRING	40	900106-05012	BOLT, H.S. 5*12	6	900242-05035	SCREW 5*35	44
610473-52131	SPRING	54	900106-05012	BOLT, H.S. 5*12	14	900242-05035	SCREW 5*35	46
695001-55630	SAW,CIRCULAR 10*80T	38	900106-05012	BOLT, H.S. 5*12	18	900242-05035	SCREW 5*35	50
695001-55631	SAW, CIRCULAR 10*80T	38	900106-05020	BOLT, H.S. 5*20	6	900252-05012	SCREW 5*12	20
695001-55631	SAW, CIRCULAR 10*80T	40	900106-05020	BOLT, H.S. 5*20	10	900252-05012	SCREW 5*12	22
696001-55630	BLADE, 8-CUTTER 10IN	36	900106-05020	BOLT, H.S. 5*20	18	900253-04008	SCREW 4*8	12
696001-55631	BLADE, 8-CUTTER 10IN	36	900106-05025	BOLT, H.S. 5*25	12	900253-04016	SCREW 4*16	24
696001-55631	BLADE, 8-CUTTER 10IN	40	900106-05025	BOLT, H.S. 5*25	16	900253-04016	SCREW 4*16	28
699013-56830	PLATE, SHIELD	20	900106-05025	BOLT, H.S. 5*25	18	900253-04025	SCREW 4*25	42
699013-56830	PLATE, SHIELD	22	900141-05012	BOLT 5*12	38	900256-04016	SCREW 4*16	32
699200-56830	CAP ASSY, FREE	38	900141-05012	BOLT 5*12	40	900323-03014	KEY WOODRUFF	2
699200-56830	CAP ASSY, FREE	40	900162-05012	BOLT, H.S. 5*12	6	900323-03014	KEY WOODRUFF	8
699226-05430	HOLDER, BEARING	38	900162-05012	BOLT, H.S. 5*12	14	900500-00005	NUT 5	24
699226-05430	HOLDER, BEARING	40	900162-05012	BOLT, H.S. 5*12	16	900500-00005	NUT 5	28
699227-04630	NUT	38	900162-05020	BOLT, H.S. 5*20	4	900500-00005	NUT 5	32
699227-04630	NUT	40	900162-05020	BOLT, H.S. 5*20	6	900500-00005	NUT 5	42
699228-08930	PLATE, COVER	38	900162-05020	BOLT, H.S. 5*20	8	900500-00005	NUT 5	44
699228-08930	PLATE, COVER	40	900162-05020	BOLT, H.S. 5*20	24	900500-00005	NUT 5	46
699229-56830	PLATE, COVER	36	900162-05025	BOLT, H.S. 5*25	20	900500-00005	NUT 5	50
699229-56830	PLATE, COVER	40	900162-05025	BOLT, H.S. 5*25	30	900500-00005	NUT 5	52
890118-17930	LABEL, ECHO	10	900162-05025	BOLT, H.S. 5*25	48	900502-00006	NUT 6 (3N)	24
890152-04930	LABEL, CAUTION	34	900162-05028	BOLT, H.S. 5*28	6	900502-00006	NUT 6 (3N)	28
890152-04930	LABEL, CAUTION	50	900162-05030	BOLT, H.S. 5*30	24	900502-00006	NUT 6 (3N)	32
890157-39130	LABEL, SWITCH	42	900162-05035	BOLT, H.S. 5*35	6	900502-00006	NUT 6 (3N)	42
890617-43130	LABEL,CAUTION	26	900162-05035	BOLT, H.S. 5*35	28	900502-00006	NUT 6 (3N)	46
890617-43130	LABEL,CAUTION	28	900162-06030	BOLT, H.S. 6*30	36	900502-00006	NUT 6 (3N)	50

NUMERICAL PARTS INDEX

Part No	Part description	Page	Part No	Part description	Page	Part No	Part description	Page
900502-00008	NUT 8 (3N)	10	91118-05035	BOLT	32	A200-000060	INSULATOR,INTAKE	16
900519-00010	NUT, FLANGE 10	8	91118-06030	BOLT	40	A226-000080	ELEMENT,AIR FILTER	12
900565-00005	NUT	20	91119-05012	BOLT	32	A226-000210	ELEMENT,AIR FILTER	14
900565-00005	NUT	22	91119-05030	BOLT	32	A226-000210	ELEMENT,AIR FILTER	16
900565-50008	NUT	24	91121-05012	BOLT, FLANGE	16	A226-000320	ELEMENT, AIR FILTER	12
900565-50008	NUT	28	94035-36201	BEARING BALL	6	A226-000360	ELEMENT, AIR FILTER	16
900565-50008	NUT	32	A011-000120	CRANKSHAFT,ASM	4	A232-000090	LID,CLEANER	12
900603-50008	WASHER	36	A014-000000	DECOMP,ASM	4	A232-000091	LID,CLEANER	12
900603-50008	WASHER	40	A021-000340	CARBURETOR, DIAPHRAGM	12	A232-000300	LID,CLEANER	12
900603-50008	WASHER	54	A021-000340	CARBURETOR, DIAPHRAGM	56	A232-000320	LID,CLEANER	14
900701-00012	CIRCLIP 12	6	A021-000340	CARBURETOR, DIAPHRAGM	56	A232-000320	LID,CLEANER	16
900701-00012	CIRCLIP 12	36	A021-000341	CARBURETOR, DIAPHRAGM	12	A235-000060	KNOB,CLEANER LID	12
900701-00012	CIRCLIP 12	40	A021-000341	CARBURETOR, DIAPHRAGM	56	A239-000050	PIPE, INTAKE	16
900701-00012	CIRCLIP 12	54	A021-000341	CARBURETOR, DIAPHRAGM	56	A244-000010	PLATE,PREVENT	12
900702-00028	CIRCLIP 28	6	A021-000591	CARBURETOR, DIAPHRAGM	12	A244-000010	PLATE,PREVENT	16
900702-00028	CIRCLIP 28	36	A021-000591	CARBURETOR, DIAPHRAGM	56	A248-000000	GUARD,LEVER	44
900702-00028	CIRCLIP 28	40	A021-000591	CARBURETOR, DIAPHRAGM	56	A300-000190	MUFFLER,EXHAUST	14
900702-00028	CIRCLIP 28	54	A021-001030	CARBURETOR, DIAPHRAGM	12	A320-000080	COVER,MUFFLER	14
900702-00032	CIRCLIP 32	36	A021-001030	CARBURETOR, DIAPHRAGM	56	A320-000080	COVER,MUFFLER	16
900702-00032	CIRCLIP 32	40	A021-001030	CARBURETOR, DIAPHRAGM	56	A323-000000	PIECE,COVER	12
900702-00032	CIRCLIP 32	54	A021-001160	CARBURETOR, DIAPHRAGM	12	A350-000130	TANK,FUEL	18
900702-00045	RING, RETAINING(IN)	6	A021-001160	CARBURETOR, DIAPHRAGM	16	A390-000000	SEAT,FUEL TANK	18
900720-00012	O-RING 12	36	A021-001160	CARBURETOR, DIAPHRAGM	58	A390-000010	SEAT,FUEL TANK	18
900720-00012	O-RING 12	40	A021-001160	CARBURETOR, DIAPHRAGM	58	A393-000030	BRACKET,FUEL TANK	18
900720-00012	O-RING 12	54	A051-000070	STARTER,RECOIL	10	A393-000050	BRACKET,FUEL TANK	18
900720-00032	O-RING 32	52	A052-000010	PULLEY,ASM STARTER	10	A409-000060	ROTOR,MAGNETO	8
900800-06001	BEARING	36	A052-000011	PULLEY,ASM STARTER	10	A409-000061	ROTOR,MAGNETO	8
900800-06001	BEARING	40	A101-000050	RING,PISTON	4	A411-000050	COIL,IGNITION	8
900800-06001	BEARING	54	A101-000070	RING,PISTON	2	A426-000000	TERMINAL,SPARKPLUG	8
900803-06001	BEARING, BALL 6001	36	A101-000070	RING,PISTON	4	A427-000000	CAP,SPARK PLUG	8
900803-06001	BEARING, BALL 6001	40	A128-000060	PLATE,DUST	12	A440-000230	SWITCH,ON OFF	42
900803-06001	BEARING, BALL 6001	54	A128-000060	PLATE,DUST	16	A440-000240	SWITCH,ON OFF	24
900807-06001	BEARING, BALL 6001	6	A130-000271	CYLINDER	2	A440-000600	SWITCH,ON OFF	46
900810-00629	BEARING, BALL 629	36	A130-000451	CYLINDER	4	A440-000610	SWITCH,ON OFF	28
900810-00629	BEARING, BALL 629	40	A130-000480	CYLINDER	2	A440-001080	SWITCH, ON OFF	50
900810-00629	BEARING, BALL 629	54	A130-000710	CYLINDER	2	A553-000030	ARM,CLUTCH	8
900810-36202	BEARING, BALL 6202	6	A130-000710	CYLINDER	4	A553-000040	ARM,CLUTCH	8
900812-06201	BEARING	36	A130-000711	CYLINDER	2	A556-000160	DRUM,CLUTCH	6
900812-06201	BEARING	40	A130-000711	CYLINDER	4	A556-000161	DRUM,CLUTCH	6
900812-06201	BEARING	54	A130-000810	CYLINDER	2	A556-000180	DRUM,CLUTCH	6
900814-06202	BEARING, BALL 6202	38	A160-000240	COVER,CYLINDER	6	A556-000181	DRUM,CLUTCH	6
900814-06202	BEARING, BALL 6202	40	A160-000241	COVER,CYLINDER	6	A557-000000	SHAFT,CLUTCH	8
91118-05025	BOLT	22	A162-000020	GUARD, TOP	6	C050-000050	PIPE,MAIN	26
91118-05025	BOLT	32	A172-000150	COVER,FAN	6	C050-000050	PIPE,MAIN	28
91118-05025	BOLT	50	A200-000060	INSULATOR,INTAKE	12	C050-000050	PIPE,MAIN	42

NUMERICAL PARTS INDEX

Part No	Part description	Page	Part No	Part description	Page	Part No	Part description	Page
C050-000050	PIPE,MAIN	46	C535-000001	FIXTURE,BLADE	36	P021-002620	SHIELD,BLADE(W/KNIFE	20
C050-000880	PIPE, MAIN	32	C535-000001	FIXTURE,BLADE	40	P021-002760	BRACKET ASY, HANDLE	24
C050-000880	PIPE, MAIN	50	C535-000001	FIXTURE,BLADE	54	P021-002761	BRACKET ASY, HANDLE	24
C062-000180	HARNESS,SHOULDER	26	C535-000010	FIXTURE,BLADE	36	P021-003561	PISTON KIT	4
C062-000180	HARNESS,SHOULDER	28	C535-000010	FIXTURE,BLADE	54	P021-005000	PISTON KIT	4
C062-000180	HARNESS,SHOULDER	44	C535-000011	FIXTURE,BLADE	36	P021-005001	PISTON KIT	4
C062-000180	HARNESS,SHOULDER	46	C535-000011	FIXTURE,BLADE	40	P021-005890	BRACKET SET, THROTTLE	42
C062-000181	HARNESS,SHOULDER	26	C535-000011	FIXTURE,BLADE	54		P021-005910	ROTOR,MAGNETO KIT
C062-000181	HARNESS,SHOULDER	30	C550-000080	SHIELD,BLADE	20	P021-005911	ROTOR,MAGNETO KIT	8
C062-000181	HARNESS,SHOULDER	44	C550-000080	SHIELD,BLADE	22	P021-007470	SCABBARD,BLADE	36
C062-000181	HARNESS,SHOULDER	46	C550-000090	SHIELD,BLADE	20		P021-007990	BRACKET SET, THROTTLE
C062-000182	HARNESS,SHOULDER	32	C550-000090	SHIELD,BLADE	22	P021-008000	FIXTURE,ASY HANDLE	48
C062-000182	HARNESS,SHOULDER	50	C550-000100	SHIELD,BLADE	20	P021-008190	CLUTCH ASY	8
C400-000400	HANDLE,FRONT	28	C550-000100	SHIELD,BLADE	22	P021-008900	MUFFLER ASY	14
C400-000400	HANDLE,FRONT	32	C554-000000	KNIFE,CORD	20	P021-008900	MUFFLER ASY	16
C403-000030	GRIP,HANDLE	24	C554-000030	KNIFE, CORD	22	P021-009200	HANDLE ASY, LOOP	46
C403-000031	GRIP,HANDLE	24	C624-000000	HANGER,HARNESS	42	P021-009201	HANDLE ASY, LOOP	46
C405-000150	BRACKET,HANDLE	46	C624-000020	HANGER,HARNESS	46	P021-009202	HANDLE ASY, LOOP	50
C405-000160	BRACKET,HANDLE	46	C624-000020	HANGER,HARNESS	50	P021-009220	BRACKET ASY, HANDLE	28
C405-000160	BRACKET,HANDLE	50	C624-000040	HANGER, HARNESS	50	P021-009221	BRACKET ASY, HANDLE	28
C405-000270	BRACKET,HANDLE	50	J485-000030	HINGE	12	P021-009590	CASE, AIR CLEANER	12
C423-000041	FIXTURE,HANDLE	24	P003-000090	METERING, DIAPHRAGM	56	P021-009590	CASE, AIR CLEANER	16
C423-000340	FIXTURE, HANDLE	50	P003-000090	METERING, DIAPHRAGM	58	P021-009600	LID,CLEANER ASY	14
C450-000020	TRIGGER,THROTTLE	24	P003-000100	GASKET, PUMP	56	P021-009600	LID,CLEANER ASY	16
C450-000021	TRIGGER,THROTTLE	24	P003-000100	GASKET, PUMP	58	P021-009681	PISTON KIT	2
C450-000022	TRIGGER,THROTTLE	24	P003-000180	BRACKET CABLE	56	P021-009681	PISTON KIT	4
C450-000022	TRIGGER,THROTTLE	28	P003-000180	BRACKET CABLE	58	P021-009682	PISTON KIT	2
C450-000110	TRIGGER,THROTTLE	42	P003-000510	BODY ASSEMBLY, PUMP	56	P021-009682	PISTON KIT	4
C450-000110	TRIGGER,THROTTLE	46	P003-000700	JET	56	P021-009691	CYLINDER,PISTON KIT	2
C450-000110	TRIGGER,THROTTLE	50	P003-000710	VALVE ASY THROTTLE	56	P021-009692	CYLINDER,PISTON KIT	2
C450-000270	CONTROL, THROTTLE	32	P003-000980	JET	56	P021-009693	CYLINDER,PISTON KIT	2
C460-000010	LOCKOUT,THROTTLE	24	P003-001130	NEEDLE, HIGH SPEED	56	P021-011150	PISTON KIT	2
C460-000011	LOCKOUT,THROTTLE	24	P003-001130	NEEDLE, HIGH SPEED	58	P021-011160	ROTOR,MAGNETO KIT	2
C460-000011	LOCKOUT,THROTTLE	28	P003-001490	BODY ASSEMBLY, PUMP	58	P021-012591	CASE,GEAR	40
C460-000110	LOCKOUT, THROTTLE	32	P003-001500	COVER, PRIMER PUMP	58	P021-012640	BRACKET ASM., HANDLE	50
C461-000000	LATCH,THROTTLE	46	P021-002470	CRANKCASE SET	4	P021-012660	HOOK ASY	32
C461-000000	LATCH,THROTTLE	50	P021-002471	CRANKCASE SET	4	P021-012730	BRACKET ASY, HANDLE	32
C461-000010	LATCH,THROTTLE	44	P021-002480	CLUTCH ASY	8	P021-012750	BRACKET ASY, HANDLE	32
C461-000010	LATCH,THROTTLE	46	P021-002481	CLUTCH ASY	8	P021-013770	SHIELD KIT	22
C461-000010	LATCH,THROTTLE	50	P021-002490	CASE, AIR CLEANER	12	P021-014090	GRIP ASY,F-HANDLE	32
C463-000000	KNOB,LATCH	26	P021-002491	CASE, AIR CLEANER	12	P021-014170	BRACKET SET, THROTTLE	50
C463-000000	KNOB,LATCH	30	P021-002610	GRIP ASY,F-HANDLE	24		P021-014320	SAW,BUSH CUTTER
C463-000020	KNOB, LATCH	32	P021-002611	GRIP ASY,F-HANDLE	24	P021-014620	SWITCH,ON OFF	32
C535-000000	FIXTURE,BLADE	36	P021-002612	GRIP ASY,F-HANDLE	24	P0210-11170	PISTON,CYL,MAG KIT	2
C535-000000	FIXTURE,BLADE	54	P021-002612	GRIP ASY,F-HANDLE	28			

NUMERICAL PARTS INDEX

Part No	Part description	Page	Part No	Part description	Page	Part No	Part description	Page
P022-000710	EYELET	54	V420-001061	CUSHION	50	X503-002860	LABEL,MODEL	6
P022-000730	NYLON CODE	54	V420-001120	CUSHION	30	X505-000140	LABEL,CAUTION	42
P022-001160	NUT	54	V420-001120	CUSHION	32	X505-000140	LABEL,CAUTION	46
P022-001180	BOBBIN	54	V420-001720	CUSHION	52	X505-000140	LABEL,CAUTION	50
P022-001190	COVER	54	V430-000330	CABLE,BOWDEN	42	X602-000020	TOOL,WRENCH	20
P022-001200	SPRING	54	V430-000390	CABLE,BOWDEN	24	X602-000020	TOOL,WRENCH	22
P022-001310	TAP KNOB	54	V430-000960	CABLE,BOWDEN	24	X606-000080	TOOL,BAR	20
P022-002080	DRUM, STARTER	10	V430-001460	CABLE,BOWDEN	46	X606-000080	TOOL,BAR	22
P022-002090	SPRING, RETURN	10	V430-001460	CABLE,BOWDEN	50	X690-000030	GOGGLE	20
P022-002100	E-RING	10	V430-001470	CABLE,BOWDEN	28	X690-000030	GOGGLE	22
P022-002110	CLIP	4	V430-002090	CABLE,BOWDEN	32			
P022-005030	COVER	54	V451-000230	SPRING,TENSION	8			
P022-005040	HOUSING	54	V451-000480	SPRING,TENSION	8			
P022-006200	NYLON CODE	54	V452-000050	SPRING,TORSION	24			
P022-019450	TAP KNOB	54	V452-000060	SPRING,TORSION	24			
V100-000040	GASKET,CYL	4	V452-000060	SPRING,TORSION	28			
V102-000000	GASKET,CRANKCASE	6	V452-000120	SPRING,TORSION	44			
V102-000001	GASKET,CRANKCASE	6	V452-000120	SPRING,TORSION	46			
V103-000070	GASKET,INTAKE	12	V452-000120	SPRING,TORSION	50			
V103-000070	GASKET,INTAKE	16	V452-000130	SPRING,TORSION	24			
V103-000080	GASKET,INTAKE	12	V452-000130	SPRING,TORSION	28			
V103-000080	GASKET,INTAKE	16	V452-000200	SPRING,TORSION	46			
V104-000210	GASKET,EXHAUST	14	V452-000200	SPRING,TORSION	50			
V104-000210	GASKET,EXHAUST	16	V452-000350	SPRING,TORSION	32			
V141-000020	GROMMET,PLUG	8	V452-000360	SPRING,TORSION	32			
V150-000550	PLATE,EYE	14	V453-000070	SPRING,FLAT	8			
V150-000550	PLATE,EYE	16	V471-001560	PIPE	14			
V186-000080	JOINT,PIPE	16	V471-001560	PIPE	16			
V186-000120	JOINT,PIPE	14	V475-001610	TUBE	8			
V253-000100	SCREW,5	14	V475-003580	TUBE	46			
V253-000100	SCREW,5	16	V475-003580	TUBE	50			
V299-000110	KNOB,FASTENER	24	V475-003590	TUBE	28			
V299-000110	KNOB,FASTENER	28	V494-000080	CAP	26			
V299-000110	KNOB,FASTENER	32	V494-000080	CAP	30			
V307-000060	WASHER,CIRCULAR 10	2	V494-000080	CAP	32			
V307-000060	WASHER,CIRCULAR 10	4	V580-000010	RING,END	2			
V332-000000	WASHER,CIRCULAR 24	54	V580-000010	RING,END	4			
V346-000000	WASHER,WAVE	8	V608-000000	PIN,ENG 10	2			
V353-000020	COLLAR,5	6	V608-000000	PIN,ENG 10	4			
V353-000090	COLLAR,5	42	X047-000070	CUTTER,ASM LINE	54			
V353-000090	COLLAR,5	46	X047-000220	CUTTER,ASM LINE	54			
V353-000090	COLLAR,5	50	X405-000000	SAW,BUSH CUTTER	36			
V420-000420	CUSHION	6	X405-000001	SAW,BUSH CUTTER	36			
V420-000980	CUSHION	6	X470-000000	DRUM,REEL	54			
V420-001061	CUSHION	48	X495-000250	SCABBARD,BLADE	40			