

# DHC-200/C1

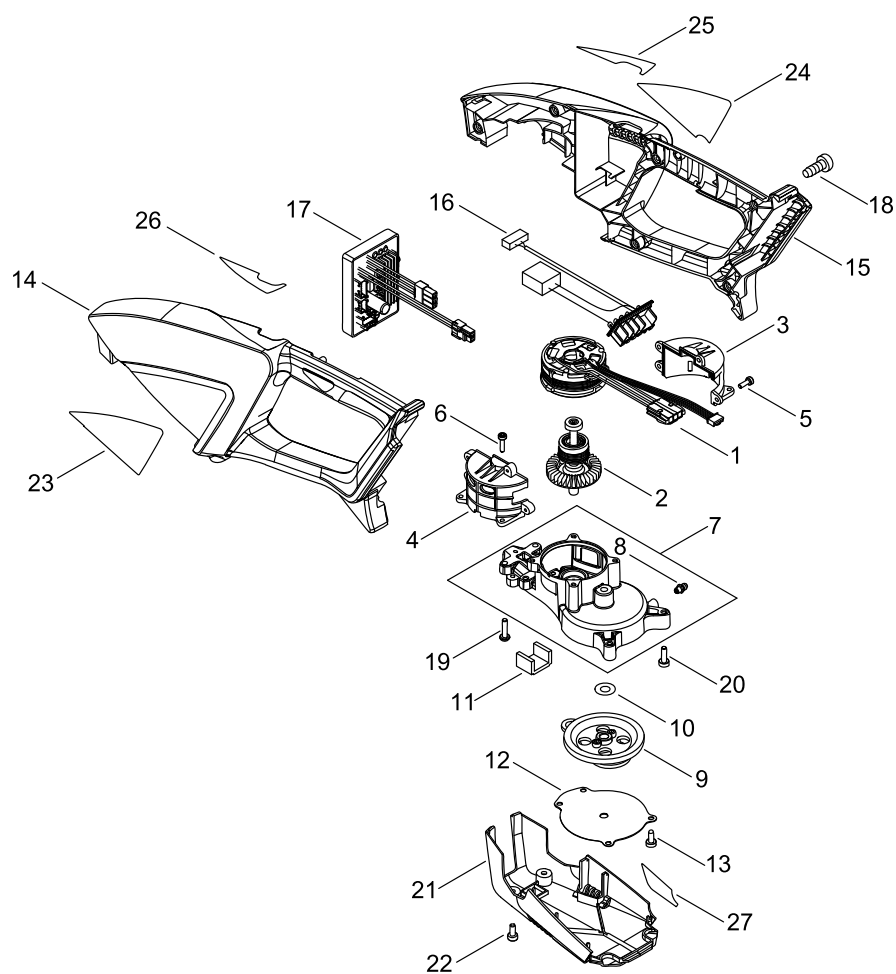
Published:11/24/2017

## TABLE OF CONTENTS

---

MOTOR, GEAR CASE.....	1
CUTTING BLADE.....	3
HANDLE.....	5
THROTTLE.....	7
ACCESSORIES.....	9

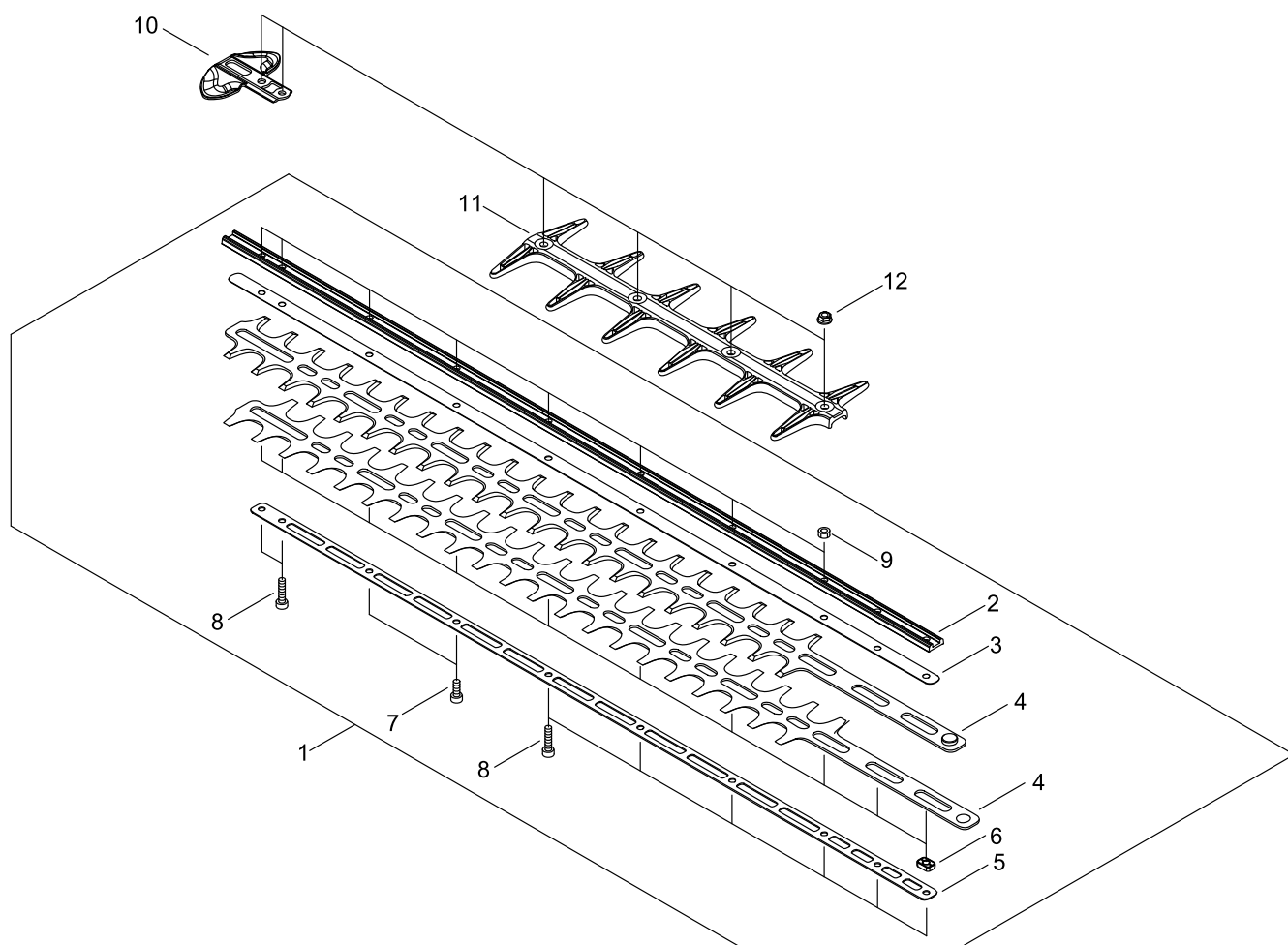
## MOTOR, GEAR CASE



## MOTOR, GEAR CASE

KEY NO	LV(+)	Part No	Description	Qty	Standard	Comment
1		A041-000690	STATOR ASSEMBLY	1	P0.85X30	
2		M102-000810	ROTOR	1	100W HELICAL T6	
3		A538-000370	CASE,MOTOR	1		
4		A538-000380	CASE,MOTOR	1		
5		V804-000000	BOLT, TORX 4	4	TT-4*12 DG 10.9	
6		V804-000060	BOLT, TORX 4	4	TB-4*16 10.9	
7		P021-050700	CASE,GEAR ASY	1		
8	+	V187-000080	GREASE NIPPLE	1		
9		P021-045791	GEAR ASY	1		
10		V306-000510	WASHER,CIRCULAR 8	1	8.1*12*T0.5	
11		V541-000200	SEAL	1		
12		C542-000060	PLATE,CASE LID	1		
13		V805-000140	BOLT, TORX 5	4	TB-5*12 10.9	
14		A539-000410	COVER,MOTOR	1		
15		A539-000400	COVER,MOTOR	1	UL/NON UL	
16		V486-000510	TERMINAL,LEAD	1		
17		A047-000360	BOARD,ASM CONTROL	1		
18		V804-000010	BOLT, TORX 4	6	TT-4*16 DG 10.9	
19		V805-000010	BOLT, TORX 5	2	TT-5*20 DG 10.9	
20		V805-000140	BOLT, TORX 5	2	TB-5*12 10.9	
21		C539-000140	LID,GEARCASE	1		
22		V805-000140	BOLT, TORX 5	2	TB-5*12 10.9	
23		X543-004850	LABEL,MODEL	1	DHC-200	
24		X543-004860	LABEL,MODEL	1	DHC-200	
25		X524-006150	LABEL	1		
26		X524-006160	LABEL	1		
27		X505-008930	LABEL,CAUTION	1		

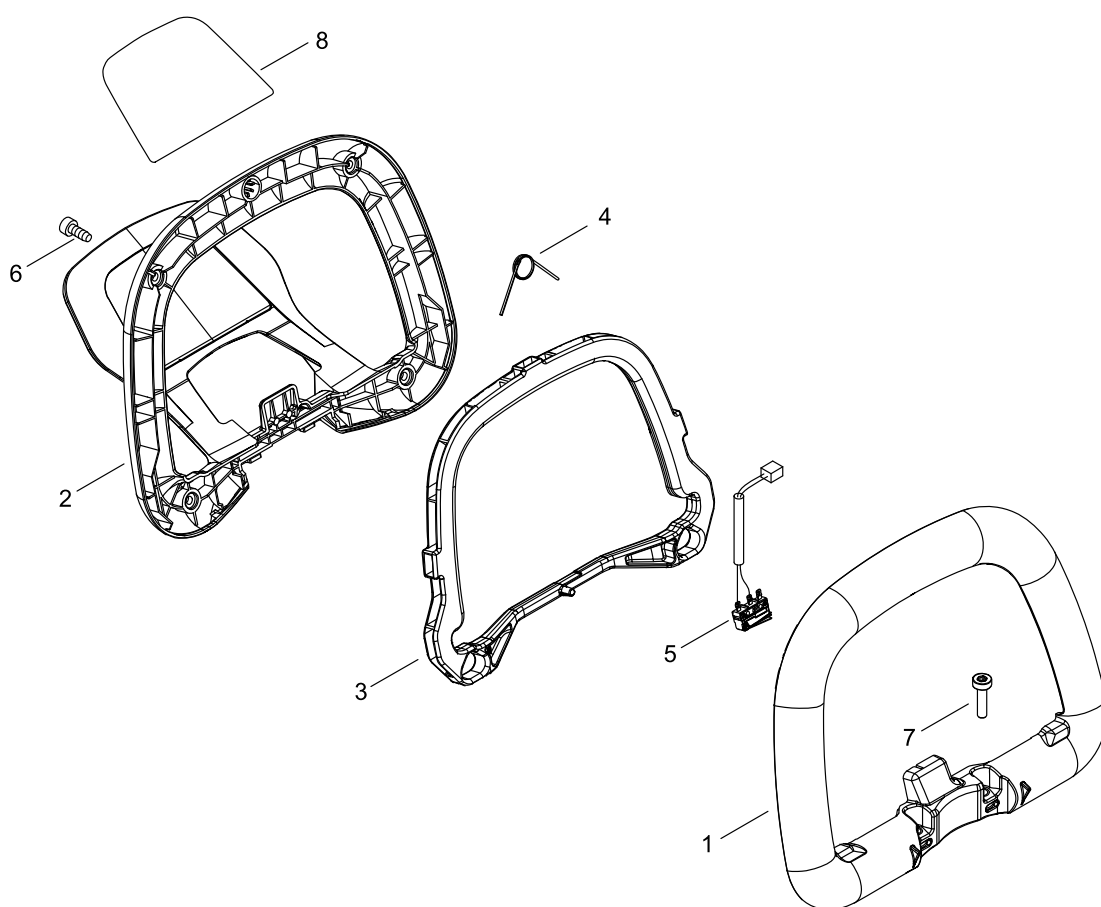
## CUTTING BLADE



## CUTTING BLADE

KEY NO	LV(+)	Part No	Description	Qty	Standard	Comment
1		X041-000580	CUTTER,ASM	1		
2	+	X425-000980	SUPPORT,CUTTER	1	L769.5	
3	+	X425-000990	SUPPORT,CUTTER	1		
4	+	X411-001350	CUTTER	2		
5	+	X425-001000	SUPPORT,CUTTER	1		
6	+	V376-001370	SPACER	10	T4.2	
7	+	V805-000140	BOLT, TORX 5	2	TB-5*12 10.9	
8	+	V805-000160	BOLT, TORX 5	8	TB-5*20 10.9	
9	+	92022-05000	NUT	8	M5	
10		E278-000310	PROTECTOR	1		
11		X431-000230	BLUNT	1		
12		900518-00005	NUT, FLANGE 5	6	5	

## HANDLE

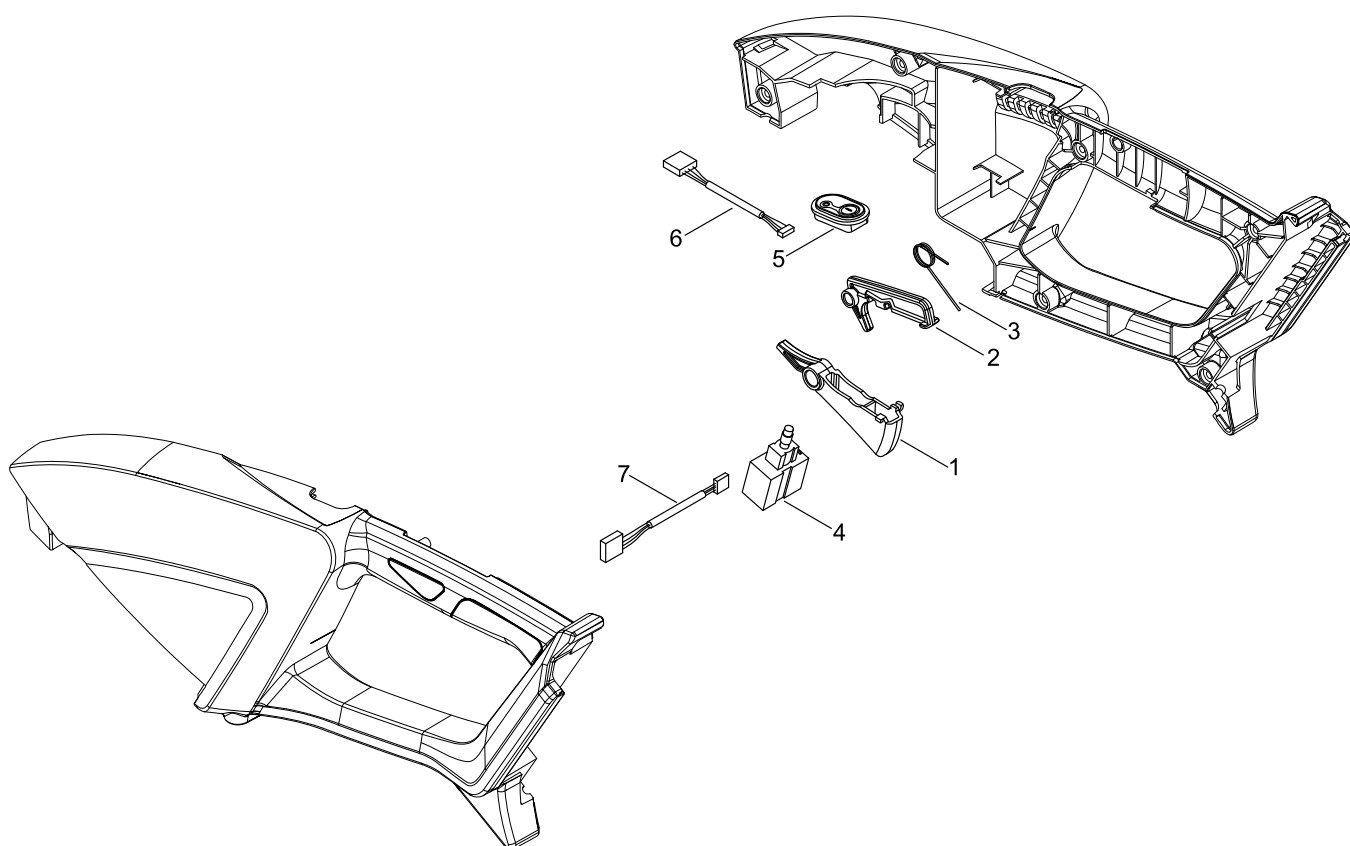


## HANDLE

KEY NO	LV(+)	Part No	Description	Qty	Standard	Comment
1		C400-001560	HANDLE, FRONT	1		
2		C400-001570	HANDLE, FRONT	1		
3		C453-000630	LEVER,THROTTLE	1	UL/NON UL	
4		V452-001680	SPRING,TORSION	1		
5		C130-000710	HARNESS, WIRE	1	FRONT ON/OFF	
6		V804-000010	BOLT, TORX 4	4	TT-4*16 DG 10.9	
7		V805-000160	BOLT, TORX 5	2	TB-5*20 10.9	
8		X505-008920	LABEL,CAUTION	1		



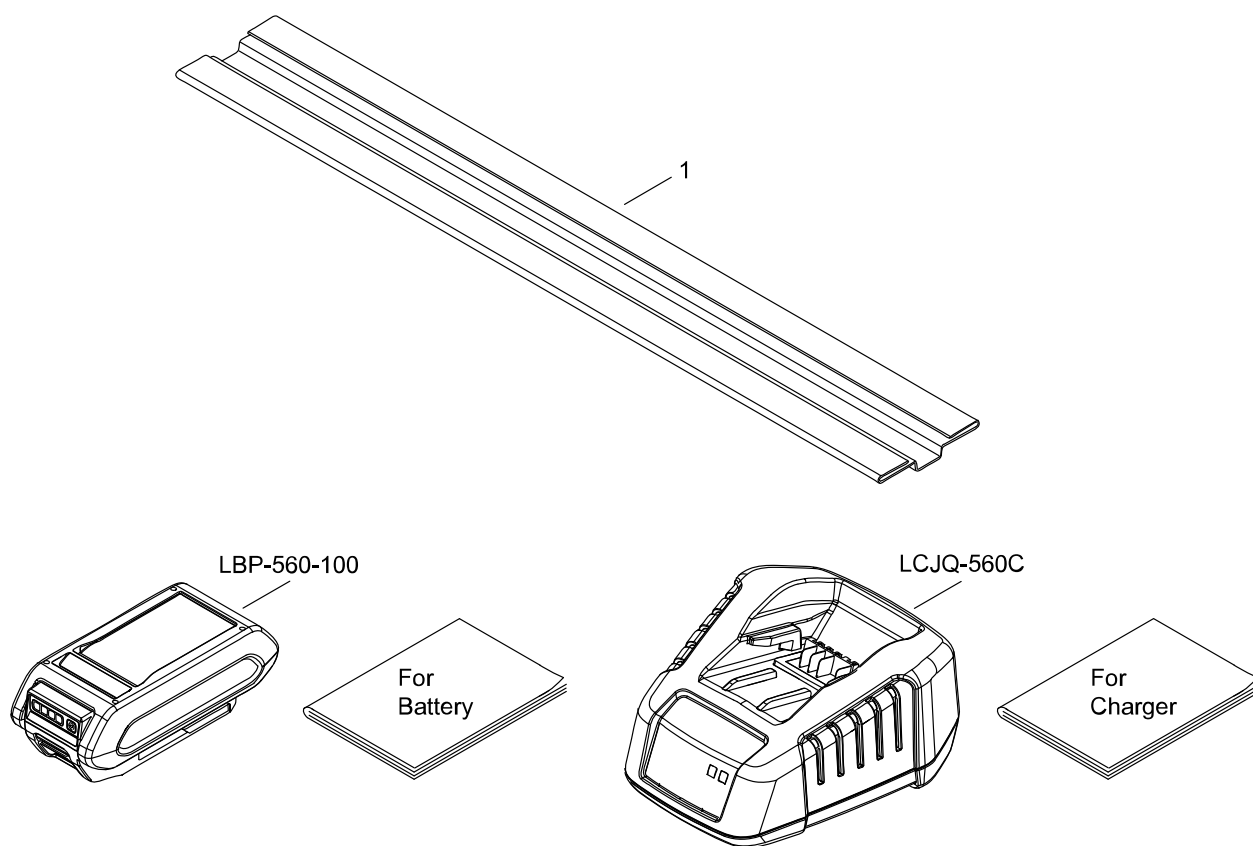
# THROTTLE



## THROTTLE

KEY NO	LV(+)	Part No	Description	Qty	Standard	Comment
1		C450-001000	CONTROL, THROTTLE	1		
2		C460-000610	LOCKOUT, THROTTLE	1		
3		V452-001670	SPRING,TORSION	1		
4		G334-001830	SWITCH	1	G33407S0080	
5		A047-000270	BOARD,ASM CONTROL	1		
6		C130-000690	HARNESS, WIRE	1		
7		C130-000700	HARNESS, WIRE	1		

# ACCESSORIES



\* Batteries and charger are handle as accessories instead of spare parts.  
Please place an order of batteries and charger at the same time as unit order.

## ACCESSORIES

KEY NO	LV(+)	Part No	Description	Qty	Standard	Comment
1		X495-000550	SCABBARD,BLADE	1	L703 24IN	

# NUMERICAL PARTS INDEX

Part No	Part description	Page	Part No	Part description	Page
900518-00005	NUT, FLANGE 5	4	X431-000230	BLUNT	4
92022-05000	NUT	4	X495-000550	SCABBARD, BLADE	10
A041-000690	STATOR ASSEMBLY	2	X505-008920	LABEL, CAUTION	6
A047-000270	BOARD, ASM CONTROL	8	X505-008930	LABEL, CAUTION	2
A047-000360	BOARD, ASM CONTROL	2	X524-006150	LABEL	2
A538-000370	CASE, MOTOR	2	X524-006160	LABEL	2
A538-000380	CASE, MOTOR	2	X543-004850	LABEL, MODEL	2
A539-000400	COVER, MOTOR	2	X543-004860	LABEL, MODEL	2
A539-000410	COVER, MOTOR	2			
C130-000690	HARNESS, WIRE	8			
C130-000700	HARNESS, WIRE	8			
C130-000710	HARNESS, WIRE	6			
C400-001560	HANDLE, FRONT	6			
C400-001570	HANDLE, FRONT	6			
C450-001000	CONTROL, THROTTLE	8			
C453-000630	LEVER, THROTTLE	6			
C460-000610	LOCKOUT, THROTTLE	8			
C539-000140	LID, GEARCASE	2			
C542-000060	PLATE, CASE LID	2			
E278-000310	PROTECTOR	4			
G334-001830	SWITCH	8			
M102-000810	ROTOR	2			
P021-045791	GEAR ASY	2			
P021-050700	CASE, GEAR ASY	2			
V187-000080	GREASE NIPPLE	2			
V306-000510	WASHER, CIRCULAR 8	2			
V376-001370	SPACER	4			
V452-001670	SPRING, TORSION	8			
V452-001680	SPRING, TORSION	6			
V486-000510	TERMINAL, LEAD	2			
V541-000200	SEAL	2			
V804-000000	BOLT, TORX 4	2			
V804-000010	BOLT, TORX 4	2			
V804-000010	BOLT, TORX 4	6			
V804-000060	BOLT, TORX 4	2			
V805-000010	BOLT, TORX 5	2			
V805-000140	BOLT, TORX 5	2			
V805-000140	BOLT, TORX 5	4			
V805-000160	BOLT, TORX 5	4			
V805-000160	BOLT, TORX 5	6			
X041-000580	CUTTER, ASM	4			
X411-001350	CUTTER	4			
X425-000980	SUPPORT, CUTTER	4			
X425-000990	SUPPORT, CUTTER	4			
X425-001000	SUPPORT, CUTTER	4			