



Parts Manual



Large Frame Two-Stage Series Snowthrowers

Snowthrowers

Mfg. No.	Description
1695326	L1226E, 11.5GT 26" Snowthrower
1695327	L1226E, 11.5GT 26" Snowthrower (CE/Export)
1695330	L1428E, 13.5GT 28" Snowthrower
1695331	L1428EX, 13.5GT 28" Snowthrower (CE/Export)
1695334	L1530E, 14.5GT 30" Snowthrower
1695335	L1530EX, 14.5GT 30" Snowthrower (CE/Export)
1695338	L1632E, 15.5GT 32" Snowthrower

Manual Part No. 1735346

Revision A

Rev. Date: 2/18/2013

Not for
Reproduction

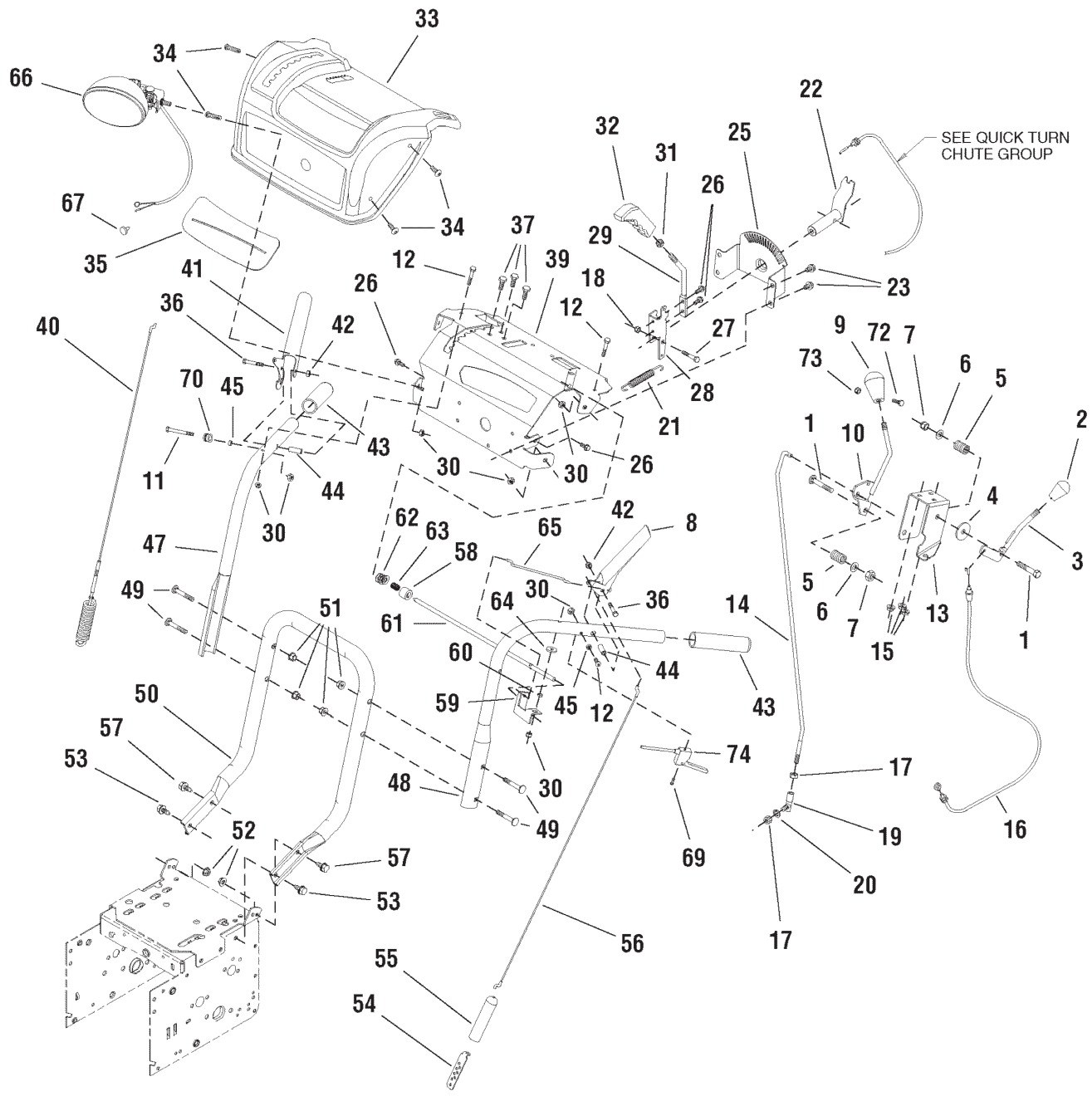
PRODUCT COMPONENTS	PAGES
Handles & Controls Group	4
Engine & Frame Group	8
Auger Drive Group	12
Auger Housing & Chute Group	14
Traction Drive Group - EZ Turn	18
Traction Drive Group - Standard	22
Wheel & Tire Group	24
Decal Group	26
Gear Case Assembly - Heavy Duty	28
Torque Specification Chart	Inside Back Cover

Not for
Reproduction

Handles & Controls Group

NOTE: Unless noted otherwise,
use the standard hardware torque
specification chart.

987755



The above parts group applies to the following Mfg. Nos.:

- 1695326 - L1226E 1695335 - L1530EX
- 1695327 - L1226E 1695338 - L1632E
- 1695330 - L1428E
- 1695331 - L1428EX
- 1695334 - L1530E

Handles & Controls Group

REF NO	PART NO.	QTY.	DESCRIPTION
1	1923701SM	2	CAPSCREW, Hex Head 3/8-16 x 2 G5
2	1732470SM	1	KNOB, Interior Thread 3/8-16
3	1732427SM	1	ROD, 3/8 Diameter 5" Large, 3/8-16 x 1 Chute
4	1924356SM	1	WASHER, 3/8
5	50786MA	2	SPRING
6	1918266SM	2	WASHER, 3/8
7	1919439SM	2	NUT, Hex Lock ESNA Light 3/8-16
8	1722667SM	1	HANDLE, Clutch L.H.
9	1733192SM	1	KNOB, Slot Speed
10	1733205SM	1	ROD & PLATE ASSEMBLY, Speed Control
11	1923282SM	1	CAPSCREW, Hex Head 1/4-20 x 2-1/2 G5
12	1921962SM	3	CAPSCREW, Hex Head 1/4-20 x 1-3/4 G5
13	1733045ASM	1	BRACKET, Trac & Deflector Control
14	1734354SM	1	ROD
15	1931277SM	3	NUT, Hex Flange 5/16-18, Whiz Lock Small
16	1732971SM	1	CABLE, Deflector Control
17	2820263SM	2	NUT, Hex 5/16-24
18	1960608SM	1	NUT, Hex Flange 1/4-20 Centerlock Large
19	50782MA	1	BALLJOINT, Steel
20	1917356SM	1	LOCKWASHER, Spring 5/16
21	1732970SM	1	SPRING, Extension
22	1732365SM	1	TUBE & BRACKET ASSEMBLY, Cable Support
23	1924856SM	4	SCREW, Hex Washer Head Taptite 5/16-18 x 1/2
25	1732364SM	1	SUPPORT, Chute Control 14GA
26	1927429SM	4	SCREW, Hex Washer Head Taptite 1/4-20 x 5/8
27	1732944SM	1	BOLT, Shoulder 1/4-20
28	1733142SM	1	BRACKET, Support Quick Turn
29	1732369SM	1	ROD, Chute
30	1920397SM	8	NUT, Hex Lock ESNA Light 1/4-20
31	1917421SM	1	NUT, Hex Jam 3/8-16
32	306689MA	1	GRIP, Lever
33	1733777CSM	1	COVER, Panel
34	1960715SM	4	SCREW, Truss Head Torx Drive 1/4-20 x 3/4
35	1733204SM	1	BELLOWS, Black Rubber Quick Turn
36	1922837SM	2	CAPSCREW, Hex Head 1/4-20 x 1-1/2 G5
37	1931333SM	3	CARRIAGE BOLT, 5/16-18 x 3/4 G5
39	1732064ASM	1	SUPPORT, Dash Panel Cover
40	1732471SM	1	CABLE & SPRING ASSEMBLY, Auger Drive R.H.
41	1722638SM	1	HANDLE, Clutch R.H.
42	1923358SM	2	NUT, Hex Centerlock 1/4-20
43	1726317SM	2	GRIP
44	1715655SM	2	SPACER
45	1678392SM	2	SPACER
47	1734587ASM	1	HANDLE, Upper R.H.

Footnotes

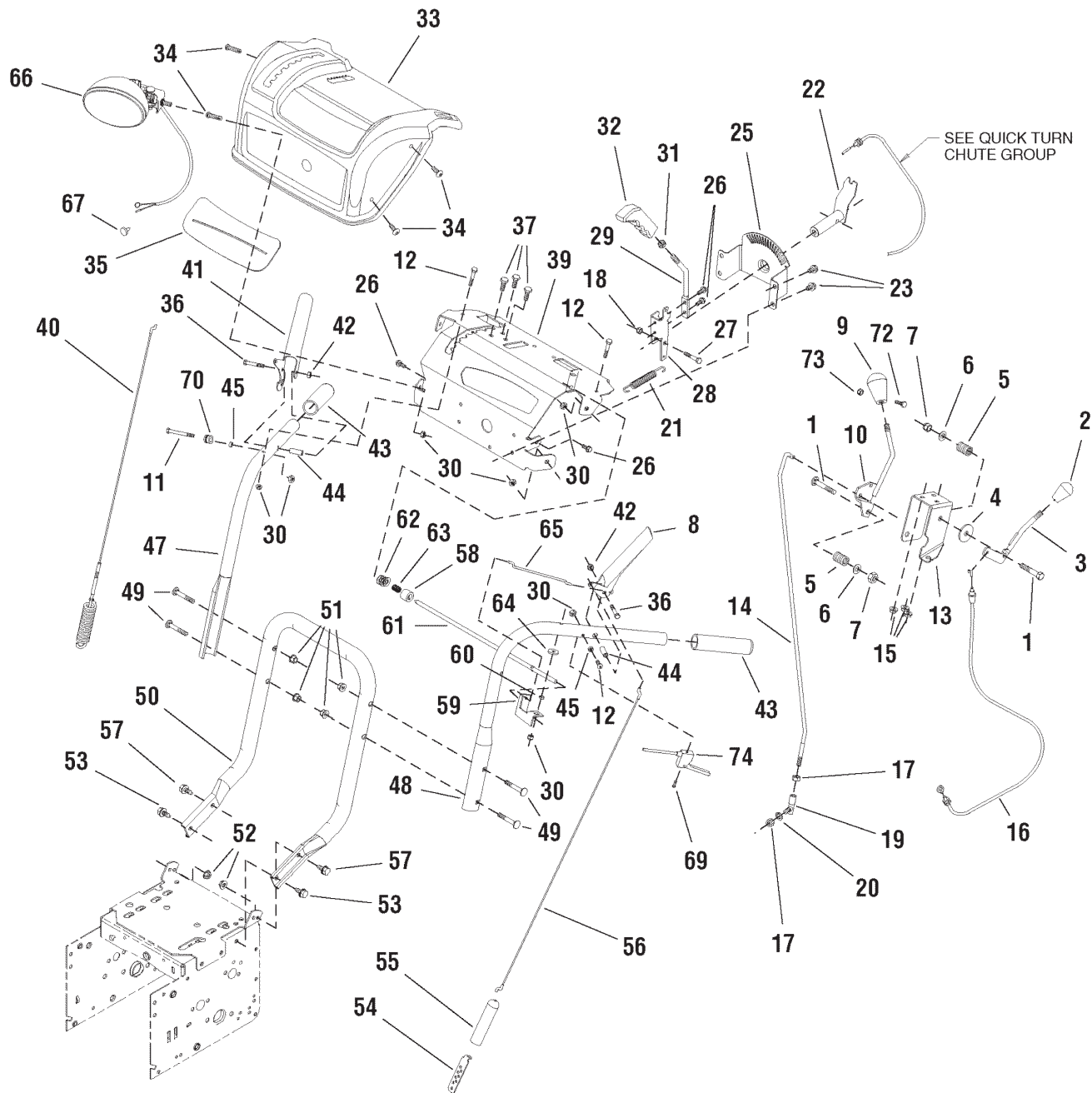
The above parts group applies to the following Mfg. Nos.:

1695326 - L1226E 1695335 - L1530EX
 1695327 - L1226E 1695338 - L1632E
 1695330 - L1428E
 1695331 - L1428EX
 1695334 - L1530E

Handles & Controls Group

NOTE: Unless noted otherwise,
use the standard hardware torque
specification chart.

987755



The above parts group applies to the following Mfg. Nos.:

- | | |
|-------------------|-------------------|
| 1695326 - L1226E | 1695335 - L1530EX |
| 1695327 - L1226E | 1695338 - L1632E |
| 1695330 - L1428E | |
| 1695331 - L1428EX | |
| 1695334 - L1530E | |

Handles & Controls Group

REF NO	PART NO.	QTY.	DESCRIPTION
48	1734586ASM	1	HANDLE, Upper L.H.
49	1960723SM	4	CARRIAGE BOLT, 5/16-18 x 2-1/4 G5
50	1732781ASM	1	HANDLE, Lower
51	1960686SM	4	NUT, Hex Flange 5/16-18
52	1935048SM	2	NUT, Hex Flange 5/16-18 Two-Way Lock
53	1664847SM	2	SCREW, Hex Washer Head Taptite 5/16-18 x 3/4
54	313441MA	1	BRACKET, Cable Adjusting
55	308146MA	1	BOOT, Spring End Cover
56	1502113MA	1	CABLE,
57	1921333SM	2	CAPSCREW, Hex Head 5/16-18 x 1 G5
58	1679166SM	1	SPACER, Powdered Metal
59	1733505ASM	1	BRACKET, Free Hand Control 12GA
60	1733095SM	1	SPACER, Powdered Metal
61	1733509SM	1	ROD & SPRING ASSEMBLY, w/Pin
62	1960027SM	4	WASHER, 1/2
63	2108360SM	1	SPRING, Compression
64	1960353SM	1	WASHER, 1/4
65	1722630SM	1	ROD, Hold Down E-Coat
66	1732321SM	1	HEADLIGHT ASSEMBLY, Oval Amber (Only used on models w/light)
67	1704351SM	5	FASTENER, Panel
69	1725702SM	1	SCREW, Pan Head Torx #10 x 1/2 Thick Cut (Only used on models w/EZ-Turn)
70	579860MA	1	SPOOL CABLE, Auger Control
72	1960589SM	1	SCREW, Round Head Phillips #10-24 x 3/4
73	1933896SM	1	NUT, Hex Lock 10-24 w/Nylon Insert
74	1718791SM	1	CABLE & HANDLE ASSEMBLY (Only used on models w/EZ-Turn)

Footnotes

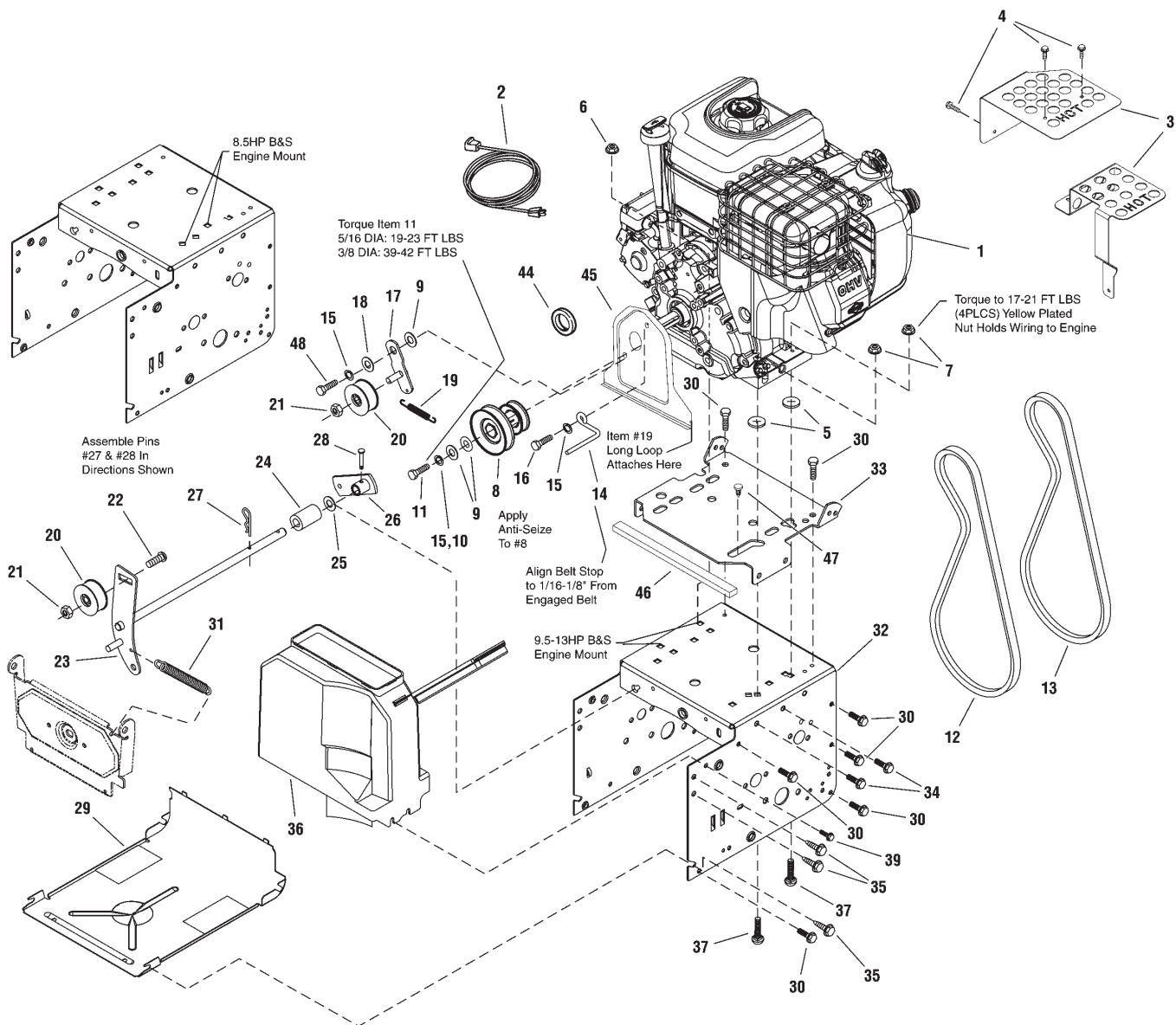
The above parts group applies to the following Mfg. Nos.:

1695326 - L1226E 1695335 - L1530EX
 1695327 - L1226E 1695338 - L1632E
 1695330 - L1428E
 1695331 - L1428EX
 1695334 - L1530E

Engine & Frame Group

2987791

NOTE: Unless noted otherwise, use the standard hardware torque specification chart.



The above parts group applies to the following Mfg. Nos.:

- 1695326 - L1226E
- 1695327 - L1226E
- 1695330 - L1428E
- 1695331 - L1428EX
- 1695334 - L1530E
- 1695335 - L1530EX
- 1695338 - L1632E

Engine & Frame Group

REF NO	PART NO.	QTY.	DESCRIPTION
1	15C114-0112-E1	1	* ENGINE, 11.5GT Briggs & Stratton (Engine Model 15C114-0112-E1)(Used before Serial No. 2012992444)
1	15C114-0117-E8	1	* ENGINE, 11.5GT Briggs & Stratton (Engine Model 15C114-0117-E8)(Used after Serial No. 2012992445)
1	15C114-0111-E1	1	* ENGINE, 11.5GT Briggs & Stratton (Engine Model 15C114-0111-E1)(CE/Export)(Used before Serial No. 2013159321)
1	15C114-0118-E8	1	* ENGINE, 11.5GT Briggs & Stratton (Engine Model 15C114-0118-E8)(CE/Export)(Used after Serial No. 2013159322)
1	20A414-0119-E1	1	* ENGINE, 13.5GT Briggs & Stratton (Engine Model 20A414-0119-E1)(CE/Export)
1	20A414-0117-E1	1	* ENGINE, 13.5GT Briggs & Stratton (Engine Model 20A414-0117-E1)
1	20E214-0118-E1	1	* ENGINE, 14.5GT Briggs & Stratton (Engine Model 20E214-0118-E1)
1	20E214-0113-E1	1	* ENGINE, 14.5GT Briggs & Stratton (Engine Model 20E214-0113-E1)(CE/Export)
1	21C214-0132-E1	1	* ENGINE, 15.5GT Briggs & Stratton (Engine Model 21C214-0132-E1)
2	1724064SM	1	CORD, Electric Start (Only used on Domestic Models)
3	1734698SM	1	GUARD, Muffler (Only used on 13.5GT, 14.5GT, 15.5GT Domestic Models)
3	1734732SM	1	GUARD, Muffler (Only used on 11.5GT Domestic Models)
4	1929477SM	3	SCREW, Hex Washer Head Taptite #10 x 1/2 (Only used on Domestic Models)
5	028X76MA	4	NUT, Push for 1/4 Diameter Thread
6	2831277SM	1	NUT, Hex Flange 5/16-18 Whiz Lock Small
7	1960686SM	3	NUT, Hex Flange 5/16-18 Esna
8	1501109MA	1	PULLEY, Engine
9	1922755SM	2	WASHER, 3/8 (Used on all models except 11.5GT)
9	1919381SM	1/3	WASHER, 5/16 (Qty. 3 with 11.5GT Models)
10	1916965SM	1	LOCKWASHER, Spring 3/8 (Used on all models except 11.5GT)
11	1960428SM	1	CAPSCREW, Hex Head 3/8-24 x 1-1/4 G8 (Used on all models except 11.5GT)
11	1921982SM	1	CAPSCREW, Hex Head 5/16-24 x 1-1/4 G8 (Only used on 11.5GT Models)
12	1733324SM	1	V-BELT, 3L, 33.13 Drive
13	1736421YP	1	V-BELT, 4L, 38.35 Auger (Only used on 14.5GT & 15.5GT Models)
13	1733051SM	1	V-BELT, 4L, 36.5 Auger (Only used on 11.5GT & 13.5GT Models)
14	1733014SM	1	STOP, Belt
15	1917356SM	3/4	LOCKWASHER, Spring 5/16 (Qty. 4 with 11.5GT Models)
16	1921515SM	2	CAPSCREW, Hex Head 5/16-24 x 3/4 G5
17	1501112YZMA	1	BRACKET & WELD PIN ASSEMBLY, Idler
18	1501065MA	1	BUSHING, Idler Bracket
19	53704MA	1	SPRING, Extension Idler
20	1502120MA	2	IDLER, Plastic Ball Bearing
21	1960251SM	2	NUT, Hex Centerlock Jam 3/8-16
22	585781MA	1	CARRIAGE BOLT, 3/8-16 x 1-1/4 G5
23	1501226YZMA	1	IDLER, Auger Assembly (Only used on 14.5GT & 15.5GT Models)
23	1733055SM	1	IDLER, Auger Assembly (Only used on 11.5GT & 13.5GT Models)
24	1501200MA	1	SPACER
25	1960027SM	1	WASHER, 1/2
26	1733451SM	1	ARM, Control Powdered Metal
27	711682MA	1	PIN, Hair
28	1735135SM	1	PIN, Clevis

Footnotes

Note* See your local Briggs & Stratton distributor for parts & service.

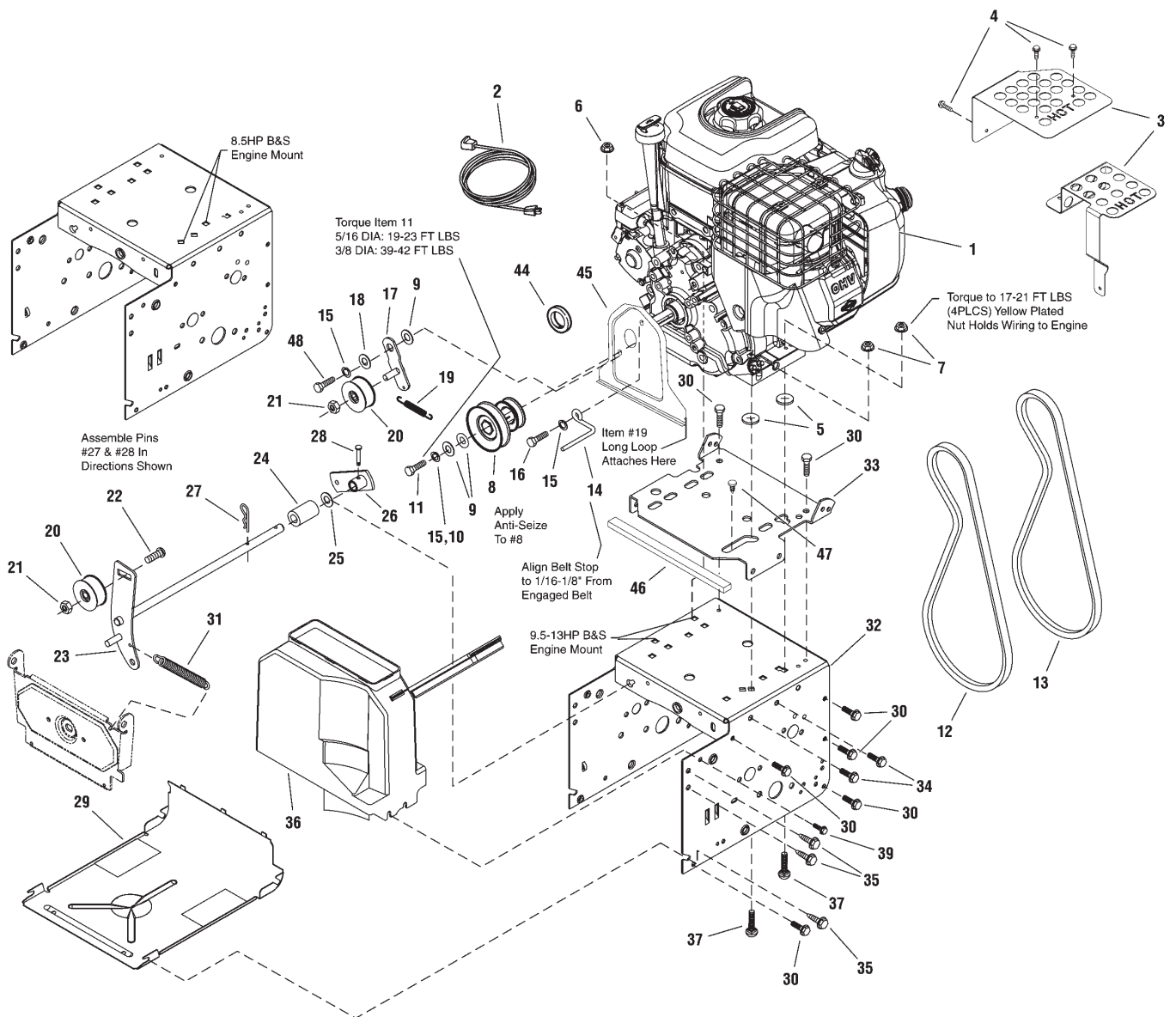
The above parts group applies to the following Mfg. Nos.:

1695326 - L1226E 1695335 - L1530EX
 1695327 - L1226E 1695338 - L1632E
 1695330 - L1428E
 1695331 - L1428EX
 1695334 - L1530E

Engine & Frame Group

2987791

NOTE: Unless noted otherwise, use the standard hardware torque specification chart.



The above parts group applies to the following Mfg. Nos.:

- 1695326 - L1226E
- 1695327 - L1226E
- 1695330 - L1428E
- 1695331 - L1428EX
- 1695334 - L1530E
- 1695335 - L1530EX
- 1695338 - L1632E

Engine & Frame Group

REF NO	PART NO.	QTY.	DESCRIPTION
32	1733154CSM	1	FRAME, EZ Turn Axle (Used on all models except 11.5GT)
32	1501050E701M	1	FRAME, 7.5-11.5GT B&S (Only used on 11.5GT Models)
33	1733583CSM	1	PLATE, Engine Mount 11GA
34	1924856SM	4	SCREW, Hex Washer Head Taptite 5/16-18 x 1/2
35	1664847SM	6	SCREW, Hex Washer Head Taptite 5/16-18 x 3/4
36	1733923SM	1	COVER, Belt w/Toolbox B&S
37	002X97MA	4	CARRIAGE BOLT, 5/16-18 x 1-1/2
39	26X306MA	2	SCREW, 1/4-AB x 3/4 Hex YZ w/Extension Tooth Washer
44	1733898SM	1	SEAL, Foam
45	1733868ASM	1	PLATE, Seal
46	1733897SM	1	SEAL, Foam
47	1733924SM	1	CLIP, Pine Tree (Used on all models except 11.5GT)
48	910828MA	1	BOLT, Hex 5/16-24 x 1

Not for
Reproduction

Footnotes

Note* See your local Briggs & Stratton distributor for parts & service.

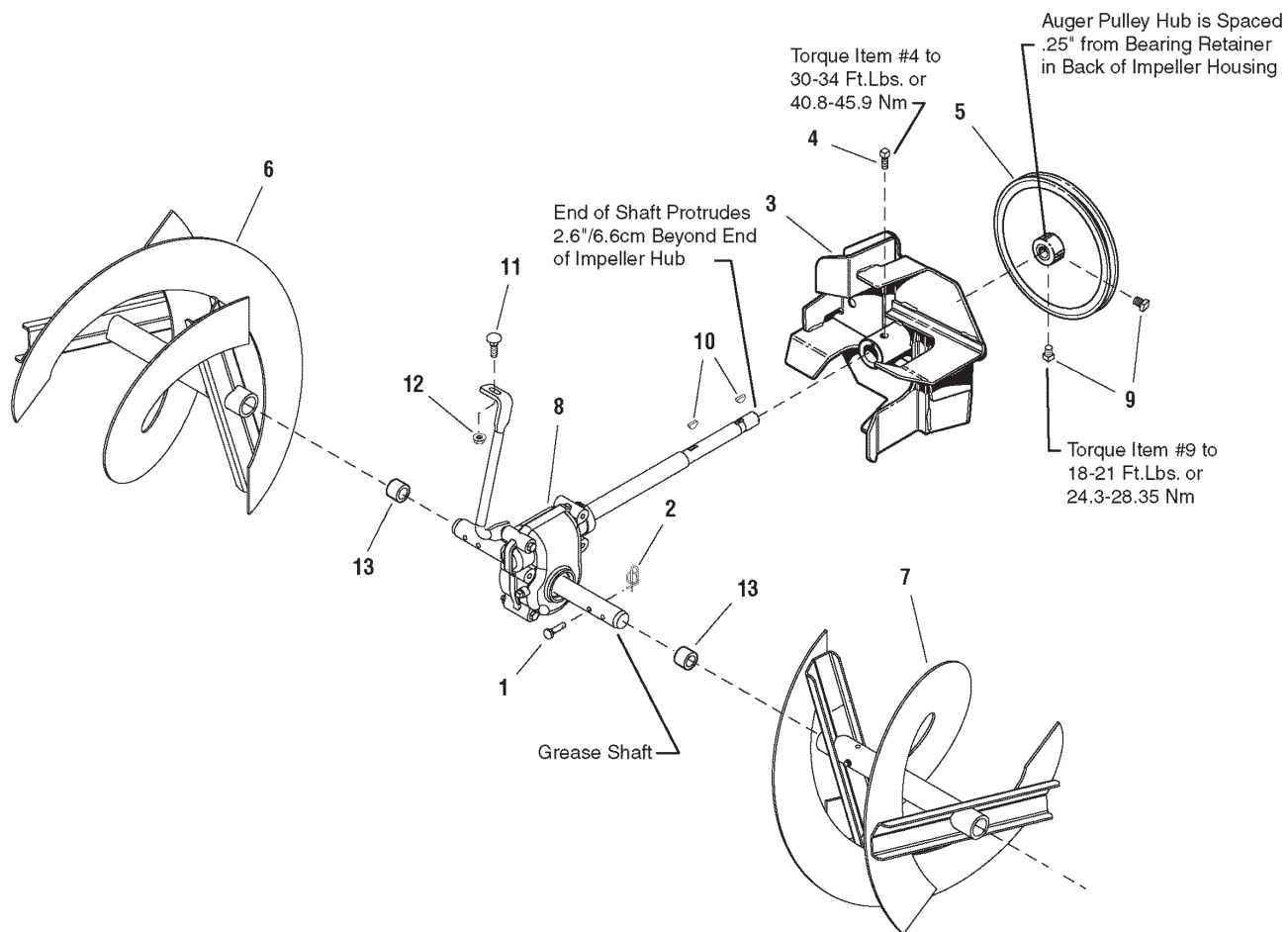
The above parts group applies to the following Mfg. Nos.:

1695326 - L1226E 1695335 - L1530EX
1695327 - L1226E 1695338 - L1632E
1695330 - L1428E
1695331 - L1428EX
1695334 - L1530E

Auger Drive Group

NOTE: Unless noted otherwise, use the standard hardware torque specification chart.

987861



The above parts group applies to the following Mfg. Nos.:

- 1695326 - L1226E
- 1695327 - L1226E
- 1695330 - L1428E
- 1695331 - L1428EX
- 1695334 - L1530E
- 1695335 - L1530EX
- 1695338 - L1632E

Auger Drive Group

REF NO	PART NO.	QTY.	DESCRIPTION
1	1668344SM	2	PIN, SHEAR
2	7023590SM	2	COTTER PIN, 1/4" Self Locking
3	1612187ASM	1	IMPELLER ASSEMBLY, Large Frame Snow
4	1960474SM	1	SCREW, Set, Square Head Cup Point 3/8-16 x 1/2 G8
5	1732185SM	1	PULLEY, w/Hub
6	1734674ASM	1	AUGER ASSEMBLY, 24" & 26" R.H.
6	1734676ASM	1	AUGER ASSEMBLY, 28" & 30" R.H.
6	1734678ASM	1	AUGER ASSEMBLY, 32" R.H.
7	1734673ASM	1	AUGER ASSEMBLY, 24" & 26" L.H.
7	1734675ASM	1	AUGER ASSEMBLY, 24" & 30" L.H.
7	1734677ASM	1	AUGER ASSEMBLY, 32" L.H.
8	1732303SM	1	GEAR BOX ASSEMBLY
9	1928721SM	2	SCREW, Set, Square Head Cup Point 5/16-18 x 1/2 G8
10	2818312SM	2	KEY, Woodruff
11	1931333SM	1	CARRIAGE BOLT, 5/16-18 x 3/4 G5
12	1931277SM	1	NUT, Hex Flange Whiz Lock, 5/16-18HEX FLANGE 5/16-18
13	1733406SM	2	TUBE

Not for
Reproduction

Footnotes

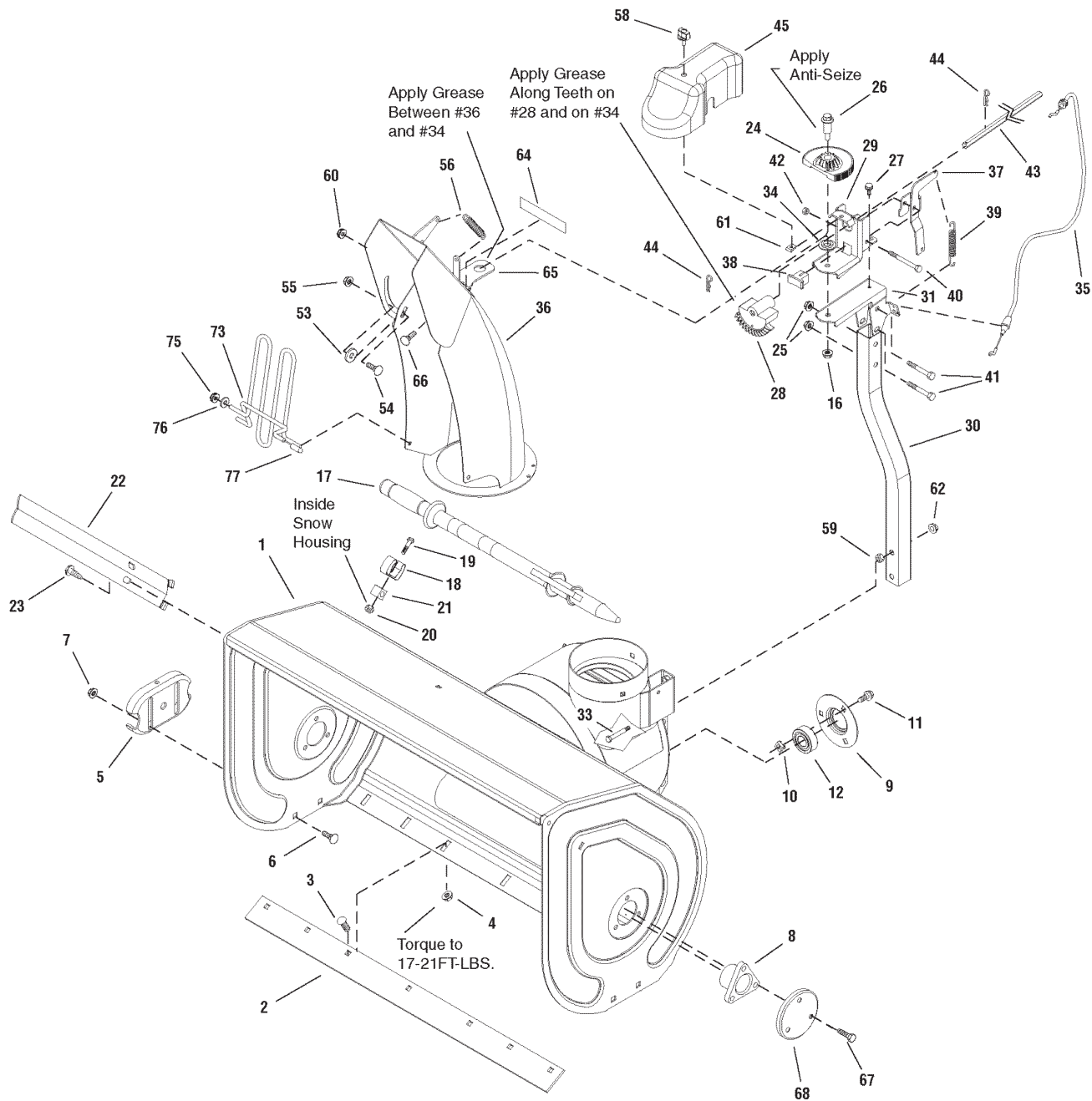
The above parts group applies to the following Mfg. Nos.:

1695326 - L1226E 1695335 - L1530EX
1695327 - L1226E 1695338 - L1632E
1695330 - L1428E
1695331 - L1428EX
1695334 - L1530E

Auger Housing & Chute Group

NOTE: Unless noted otherwise,
use the standard hardware torque
specification chart.

987768



The above parts group applies to the following Mfg. Nos.:

- 1695326 - L1226E
- 1695327 - L1226E
- 1695330 - L1428E
- 1695331 - L1428EX
- 1695334 - L1530E
- 1695335 - L1530EX
- 1695338 - L1632E

Auger Housing & Chute Group

REF NO	PART NO.	QTY.	DESCRIPTION
1	1734555CSM	1	HOUSING ASSEMBLY, 26"
1	1734556CSM	1	HOUSING ASSEMBLY, 28"
1	1734557CSM	1	HOUSING ASSEMBLY, 30"
1	1734558CSM	1	HOUSING ASSEMBLY, 32"
2	1732384ASM	1	BLADE, Scraper 26"
2	1709947ASM	1	BLADE, Scraper 28"
2	1732385ASM	1	BLADE, Scraper 30"
2	1709948ASM	1	BLADE, Scraper 32"
3	1960699SM	5/7	CARRIAGE BOLT, 5/16-18 x 5/8 G5
4	1935048SM	5/7	NUT, Hex Flange 5/16-18 Two-Way Lock
5	1727854ASM	2	SKID, Shoe Reversible
6	1960711SM	4	CARRIAGE BOLT 3/8-16 x 3/4 G5
7	1960687SM	4	NUT, Hex Flange 3/8-16 ESNA
8	1733103SM	2	BEARING, Flange
9	1665982ASM	1	BEARING, Retainer
10	1930659SM	3	RETAINER, Nut, 5/16-18
11	1960738SM	3	SCREW, Hex Whiz Lock Flange 5/16-18 x 3/4
12	2108202SM	1	BEARING
16	1931277SM	1	NUT, Hex Flange 5/16-18, Whiz Lock
17	1733209SM	1	STICK, Cleanout w/Brush
18	1501672MA	2	CLIP, Retainer
19	2860604SM	2	SCREW, Hex Washer Head Slot #10C x 1-1/4 G2
20	1933896SM	2	NUT, Hex Lock 10-24 w/Nylon Insert
21	578063MA	2	BLOCK, Universal Pivot
22	1733102ASM	2	CUTTER, Drift 12GA w/Tabs (Only used on 30" & 32" Models)
23	1664847SM	2	SCREW, Hex Washer Head Taptite 5/16-18 x 3/4 (Only used on 30" & 32" Models)
24	1732608SM	1	GEAR, 13 Tooth
25	1960684SM	2	NUT, Hex Keps 5/16-18 Conical Washer
26	1732412SM	1	BOLT, Shoulder 5/16-18 x 3/5 G5
27	1925003SM	1	SCREW, Hex Washer Head Taptite 1/4-20 x 1/2
28	1732607SM	1	GEAR, Sector 34 Tooth Powdered Metal
29	1732602ASM	1	SUPPORT, Driver Gear 12GA
30	1734414ASM	1	TUBE, Square 1-1/4
31	1732606ASM	1	BRACKET, Gears Support 12GA
33	1731353SM	2	CARRIAGE BOLT, 3/8-16 x 1-3/4
34	1733026SM	1	WASHER
35	1732238SM	1	CABLE, Chute Brake 40" Long
36	1734658CSM	1	CHUTE ASSEMBLY, Remote Deflector
37	1732837ASM	1	BRACKET, Brake 12GA
38	1732308SM	1	ARM & PAD ASSEMBLY, Brake
39	1679554SM	1	SPRING, Extension
40	1923282SM	1	CAPSCREW, Hex Head 1/4-20 x 2-1/2 G5
41	1922127SM	2	CAPSCREW, Hex Head 5/16-18 x 2 G5
42	1923358SM	1	NUT, Hex Centerlock 1/4-20

Footnotes

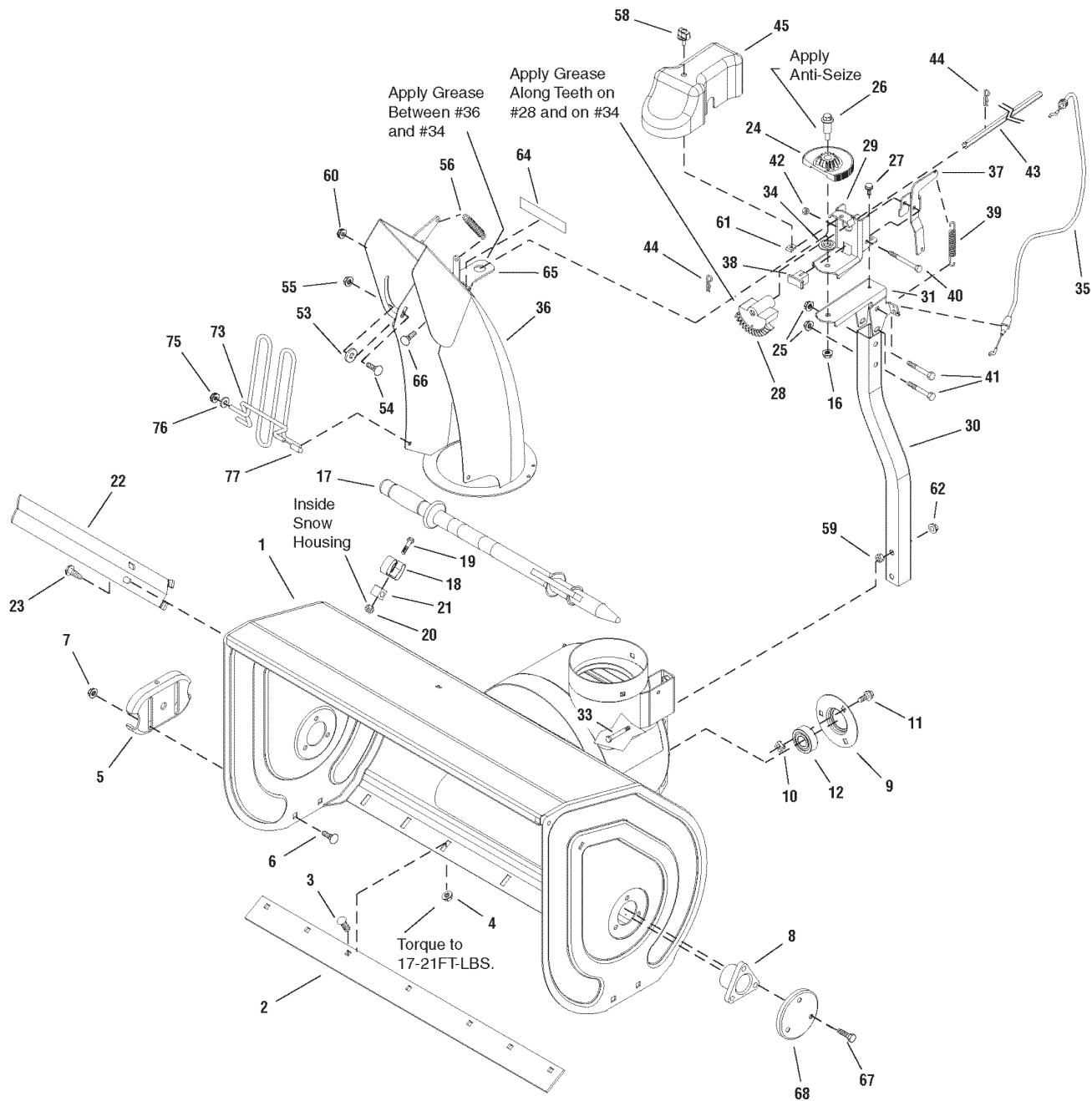
The above parts group applies to the following Mfg. Nos.:

1695326 - L1226E 1695335 - L1530EX
 1695327 - L1226E 1695338 - L1632E
 1695330 - L1428E
 1695331 - L1428EX
 1695334 - L1530E

Auger Housing & Chute Group

NOTE: Unless noted otherwise,
use the standard hardware torque
specification chart.

987768



The above parts group applies to the following Mfg. Nos.:

- 1695326 - L1226E
- 1695327 - L1226E
- 1695330 - L1428E
- 1695331 - L1428EX
- 1695334 - L1530E
- 1695335 - L1530EX
- 1695338 - L1632E

Auger Housing & Chute Group

REF NO	PART NO.	QTY.	DESCRIPTION
43	1732231SM	1	ROD, Hex, Chute
44	1722460SM	2	PIN, Quick
45	1732241SM	1	COVER, Chute
53	2860210SM	1	WASHER, Nylon
54	1931333SM	1	CARRIAGE BOLT, 5/16-18 x 3/4 G5
55	1960686SM	1	NUT, Hex Flange 5/16-18 ESNA
56	1733455SM	1	SPRING, Extension
58	696239SM	1	KNOB & SCREW ASSEMBLY, 10-24 x 3/5
59	1931942SM	2	NUT, Push Pal 3/8
60	1932718SM	1	NUT, Push
61	1960593SM	1	NUT, Retainer Speed #10-24 w/Extrusion
62	1960680SM	2	NUT, Hex Keps Conical Washer 3/8-16
64	1706085SM	2	DECAL, Orange Strip For Chute Hinge
65	1734205SM	1	BRACKET, Chute Support
66	7091542	3	SCREW, Pan Head Self Tap Torx 5/16 x 1/2
67	1931202SM	6	SCREW, Hex Washer Head Taptite 5j/16-18 x 1-1/4
68	1734932ASM	2	COVER, Bushing
73	1735174SM	1	GUARD, Chute (Only used on CE/Export Models)
75	1960126SM	2	NUT, Push Capped (Only used on CE/Export Models)
76	1678366SM	2	WASHER (Only used on CE/Export Models)
77	1733647SM	1	CAP (Only used on CE/Export Models)

Not for
Reproduction

Footnotes

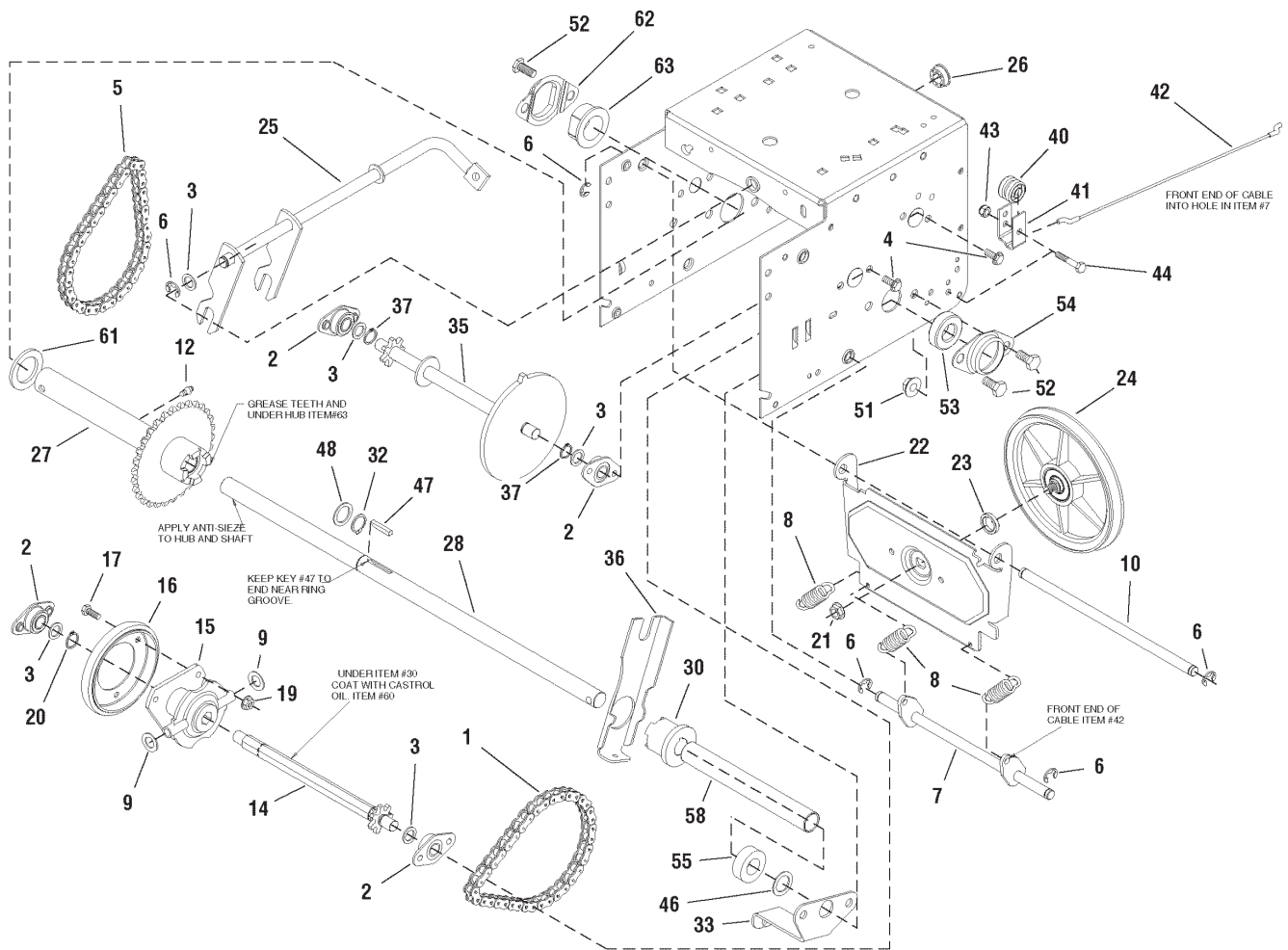
The above parts group applies to the following Mfg. Nos.:

1695326 - L1226E 1695335 - L1530EX
1695327 - L1226E 1695338 - L1632E
1695330 - L1428E
1695331 - L1428EX
1695334 - L1530E

Traction Drive Group - EZ Turn

987330

NOTE: Unless noted otherwise,
use the standard hardware torque
specification chart.



The above parts group applies to the following Mfg. Nos.:

- 1695330 - L1428E
- 1695331 - L1428EX
- 1695334 - L1530E
- 1695335 - L1530EX
- 1695338 - L1632E

Traction Drive Group - EZ Turn

REF NO	PART NO.	QTY.	DESCRIPTION
1	579851MA	1	CHAIN, Roller
2	334163MA	4	RETAINER & BUSHING ASSEMBLY
3	579858MA	5	WASHER
4	1924856SM	8	SCREW, Hex Washer Head Taptite 5/16-18 x 1/2
5	579868MA	1	CHAIN, Roller
6	11X30MA	5	RETAINER, Ring 7/16
7	1502105YZMA	1	SPRING LINK ASSEMBLY
8	165X112MA	3	SPRING, Extension
9	1960027SM	2	WASHER, 1/2
10	1501092YZMA	1	AXLE, Swing Plate
12	2812808SM	1	FITTING, Lube
14	1501100MA	1	HEX SHAFT & SPROCKET ASSEMBLY
15	337029MA	1	HUB, Friction Wheel & Bearing
16	1501435MA	1	WHEEL, Friction
17	1921959SM	3	CAPSCREW, Hex Head 1/4-20 x 5/8 G5
19	2828372SM	3	NUT, Hex KEPS 1/4-20
20	579859MA	1	RING, Retaining Extension
21	15X114MA	1	NUT, 3/8-24 Flange Lock
22	1501057YZMA	1	PLATE, Swinging
23	1501158MA	1	SPACER, Friction Pulley
24	1501115MA	1	FRICITION PULLEY ASSEMBLY
25	1501110YZMA	1	SPEED SELECT ASSEMBLY
26	579944MA	1	BEARING, Flange
27	1733085SM	1	SPROCKET & HUB ASSEMBLY, W/Bushings
28	1732381SM	1	AXLE
30	1732382SM	1	GEAR, Clutching Powdered Metal
32	2827732SM	1	RING, Retaining Extension
33	1732948ASM	1	SUPPORT, Clutch Cable
35	1732389SM	1	SPROCKET & SHAFT ASSEMBLY
36	1732383ASM	1	ARM, Clutch
37	2860386SM	2	RING, Retaining Extension
40	579860MA	1	SPOOL CABLE, Auger Control
41	1501059YZMA	1	BRACKET, Cable Spool
42	1501122MA	1	CABLE, Front Drive Lower All
43	1920397SM	1	NUT, Hex Lock ESNA Light 1/4-20
44	1922837SM	1	CAPSCREW, Hex Head 1/4-20 x 1-1/2 G5
46	712120MA	1	WASHER, Flat
47	1667622SM	1	KEY, Hi Pro
48	1960114SM	4	WASHER, 3/4
51	1928352SM	4	NUT, Hex Flange 3/8-16 Whiz Lock
52	1921965SM	4	CAPSCREW, Hex Head 3/8-16 x 3/4 G5
53	53263MA	1	BEARING, Ball
54	50648MA	1	RETAINER, Bearing
55	1501620MA	1	COLLAR, Locking

Footnotes

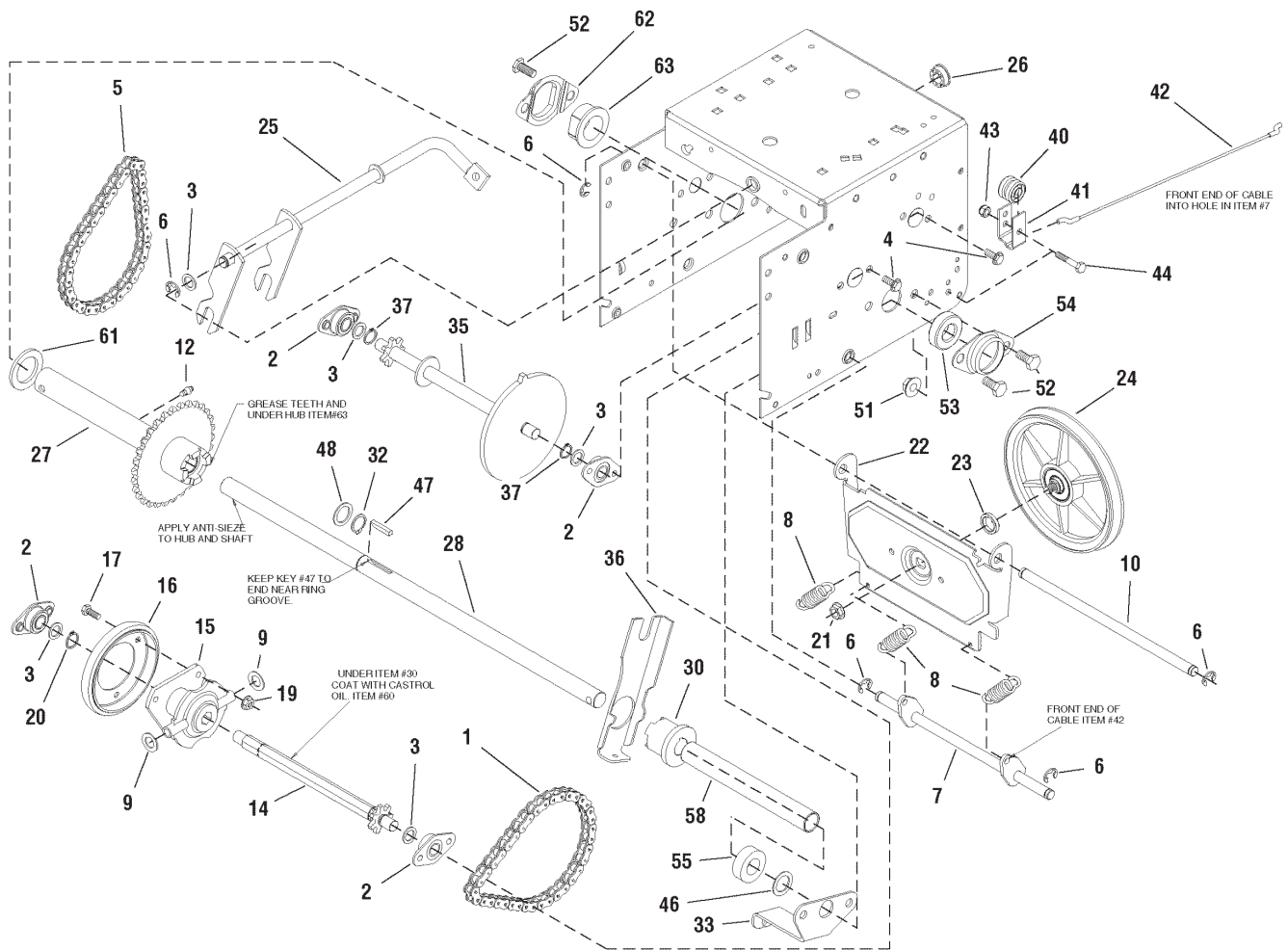
The above parts group applies to the following Mfg. Nos.:

1695330 - L1428E
1695331 - L1428EX
1695334 - L1530E
1695335 - L1530EX
1695338 - L1632E

Traction Drive Group - EZ Turn

987330

NOTE: Unless noted otherwise,
use the standard hardware torque
specification chart.



The above parts group applies to the following Mfg. Nos.:

- 1695330 - L1428E
- 1695331 - L1428EX
- 1695334 - L1530E
- 1695335 - L1530EX
- 1695338 - L1632E

Traction Drive Group - EZ Turn

REF NO	PART NO.	QTY.	DESCRIPTION
58	1720298SM	1	SPRING, Compression
61	2860169SM	1	WASHER, 1-3/16
62	1733101SM	1	RETAINER, Bushing
63	1720305SM	1	BUSHING

Not for
Reproduction

Footnotes

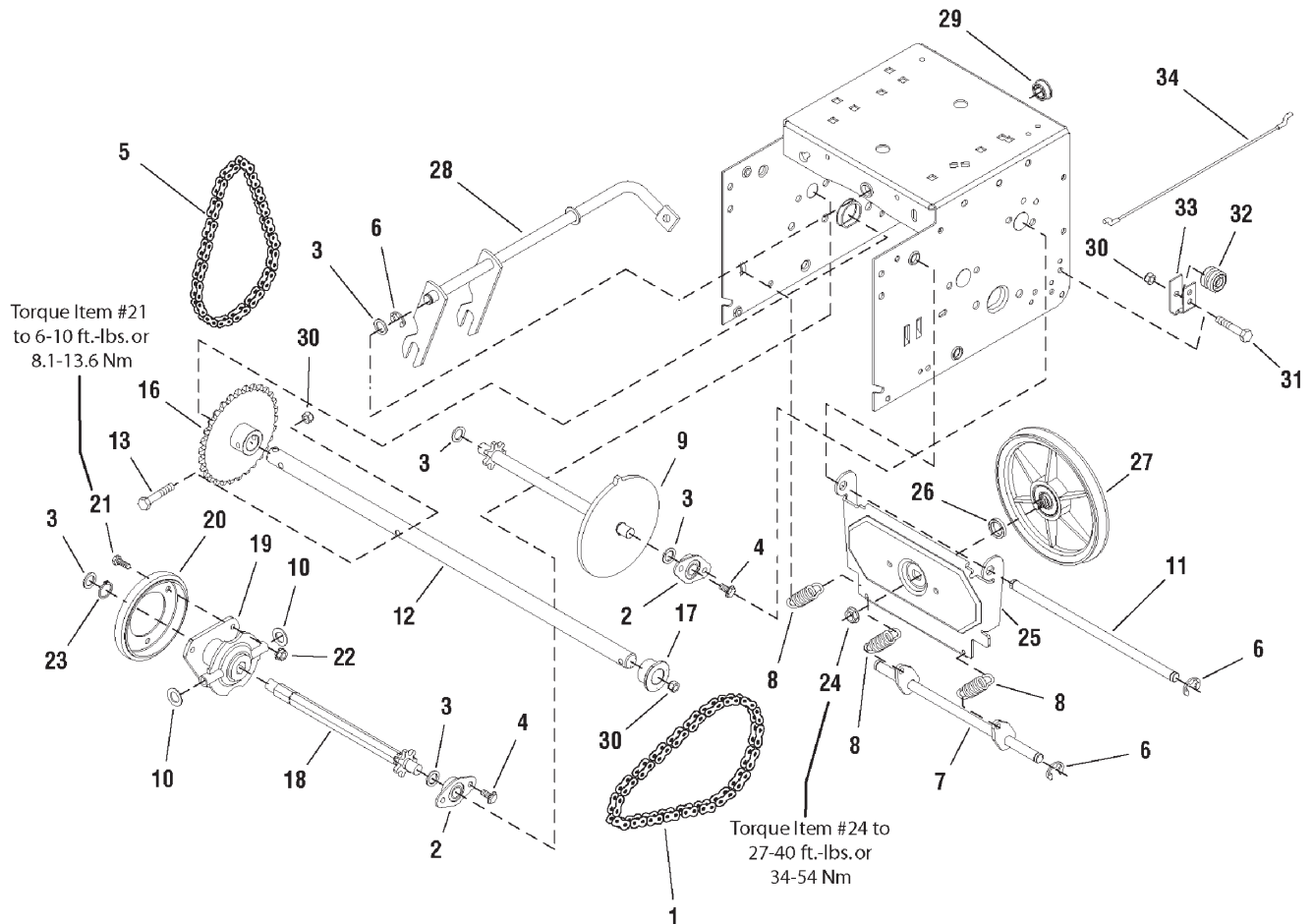
The above parts group applies to the following Mfg. Nos.:

1695330 - L1428E
1695331 - L1428EX
1695334 - L1530E
1695335 - L1530EX
1695338 - L1632E

Traction Drive Group - Standard

NOTE: Unless noted otherwise,
use the standard hardware torque
specification chart.

987249



The above parts group applies to the following Mfg. Nos.:

1695326 - L1226E

1695327 - L1226E

Traction Drive Group - Standard

REF NO	PART NO.	QTY.	DESCRIPTION
1	579851MA	1	CHAIN, Roller
2	334163MA	4	RETAINER & BUSHING ASSEMBLY
3	579858MA	5	WASHER
4	1924856SM	8	SCREW, Hex Washer Head Taptite 5/16-18 x 1/2
5	579868MA	1	CHAIN, Roller
6	11X30MA	5	RETAINER, Ring 7/16
7	1502105YZMA	3	SPRING LINK ASSEMBLY STANDARD
8	165X112MA	1	SPRING, Extension
9	1501090MA	2	SPROCKET, Set
10	1960027SM	1	WASHER, 1/2
11	1501092YZMA	1	AXLE, Swing Plate
12	1501563MA	1	AXLE
13	01X193MA	1	BOLT, Hex 1/4-20 x 1-3/4
16	1501089MA	2	SPROCKET, Axle
17	1501114MA	1	BEARING, Axle D-Hole
18	1501100MA	1	HEX SHAFT & SPROCKET ASSEMBLY
19	337029MA	1	HUB, Friction Wheel & Bearing
20	1501435MA	3	WHEEL, Friction
21	1921959SM	3	CAPSCREW, Hex Head 1/4-20 x 5/8 G5
22	2828372SM	1	NUT, Hex KEPS 1/4-20
23	579859MA	1	RING, Retaining, Extension
24	15X114MA	1	NUT, FlangeLock 38-24
25	1501057YZMA	1	PLATE, Swining
26	1501158MA	1	SPACER, Friction Pulley
27	1501115MA	1	FRICTION PULLEY ASSEMBLY
28	1501110YZMA	1	SPEED SELECT ASSEMBLY
29	579944MA	2	BEARING, Flange
30	1920397SM	1	NUT, Hex Lock ESNA Light 1/4-20
31	1922837SM	1	CAPSCREW, Hex Head 1/4-20 x 1-1/2 G5
32	579860MA	1	SPOOL CABLE, Auger Control
33	1501059YZMA	1	BRACKET, Cable Spool
34	1501122MA	1	CABLE, Front Drive Lower All

Footnotes

The above parts group applies to the following Mfg. Nos.:

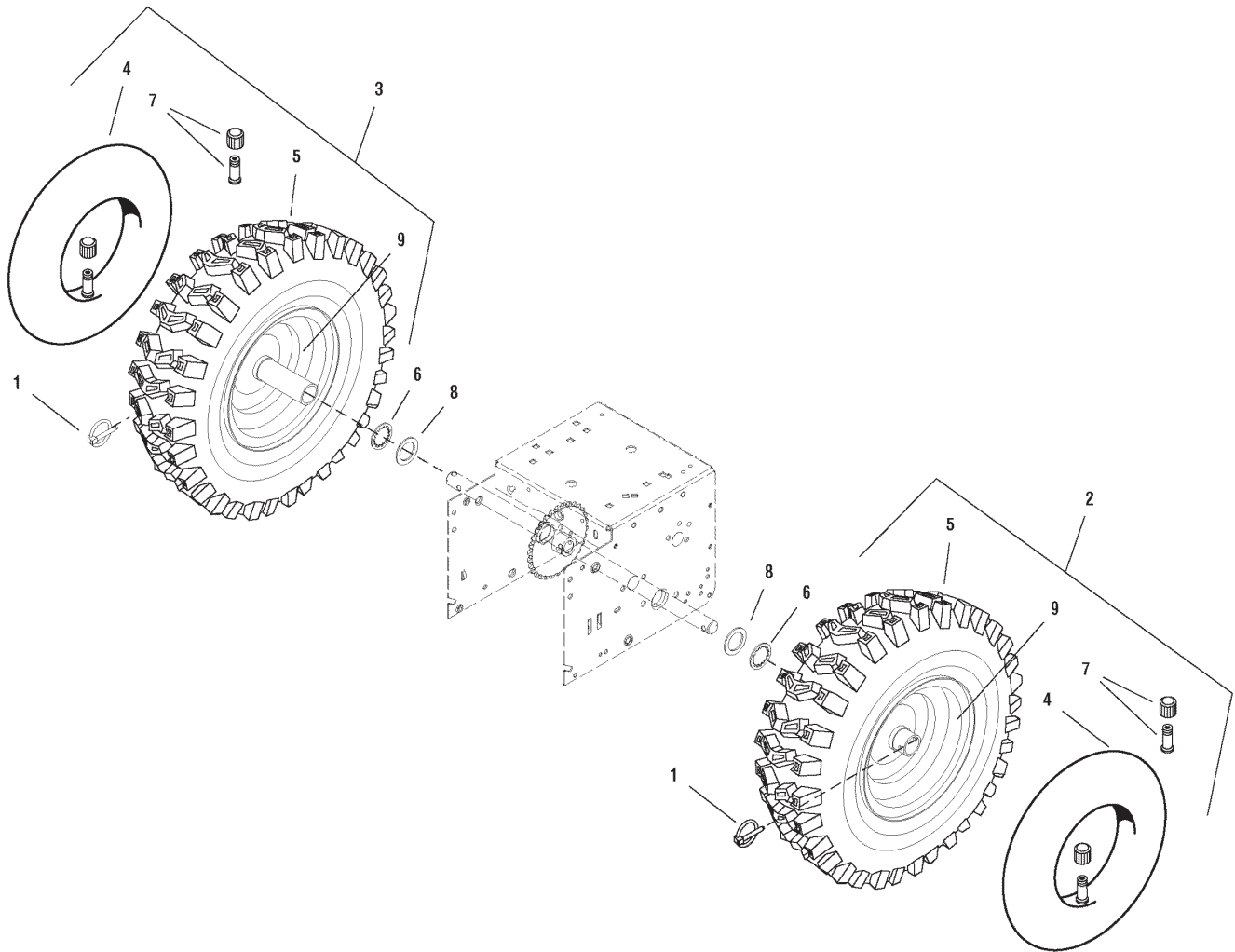
1695326 - L1226E

1695327 - L1226E

Wheel & Tire Group

NOTE: Unless noted otherwise,
use the standard hardware torque
specification chart.

987260



The above parts group applies to the following Mfg. Nos.:

1695326 - L1226E	1695335 - L1530EX
1695327 - L1226E	1695338 - L1632E
1695330 - L1428E	
1695331 - L1428EX	
1695334 - L1530E	

Wheel & Tire Group

REF NO	PART NO.	QTY.	DESCRIPTION
1	1731186SM	2	PIN, Klik .313 x 1.97 (Used on 26" Models)
1	1679697SM	2	PIN, Klik 1/4 x 1-3/4 (Used on 28", 30" & 32" Models)
2	1732935SM	2	WHEEL & TIRE ASSEMBLY, 15 x 5 L.H & R.H. (Used on 26" Models)
2	1723169SM	1	WHEEL & TIRE ASSEMBLY, 15 x 5 L.H. (Used on 28" Models)
2	1714235SM	1	WHEEL & TIRE ASSEMBLY, 16 x 4.8 L.H. (Used on 30" & 32" Models)
3	1732935SM	2	WHEEL & TIRE ASSEMBLY, 15 x 5 L.H & R.H. (Used on 26" Models)
3	1733089SM	1	WHEEL & TIRE ASSEMBLY, 15 x 5 R.H. (Used on 28" Models)
3	1720306SM	1	WHEEL & TIRE ASSEMBLY, 16 x 4.8 R.H. (Used on 30" & 32" Models)
4	1664090SM	1	TUBE, Tire 4.10/3.50-6 L.H. (Used on 28" Models)
4	2153038SM	1	TUBE, Tire 4.80/4.00 L.H. & R.H. (Used on 30" & 32" Models)
5	1723287SM	1	TIRE, 15 x 5.00-6, 2 PLY, KENDA L.H. (Used on 28" Models)
5	1612000SM	1	TIRE, 4.80/4.00-8 L.H. & R.H. (Used on 30" & 32" Models)
6	1657528SM	2	RETAINING RING, Extension, #75 3/4 Self Lock (Used on 26" Models)
7	2172353SM	1	VALVE STEM & CAP (Used on All Models)
8	712120MA	2	WASHER, Flat (Used on 26" Models)
9	1723286SM	1	HUB, Wheel L.H. (Used on 28" Models)
9	1714242SM	1	HUB, Wheel R.H., 3-3/4 Wide 8 Diameter 3/4 ID (Used on 30" & 32" Models)
9	1720307SM	1	HUB, Wheel 3.75 Wide 8. R.H. (Used on 30" & 32" Models)

Not for
Reproduction

Footnotes

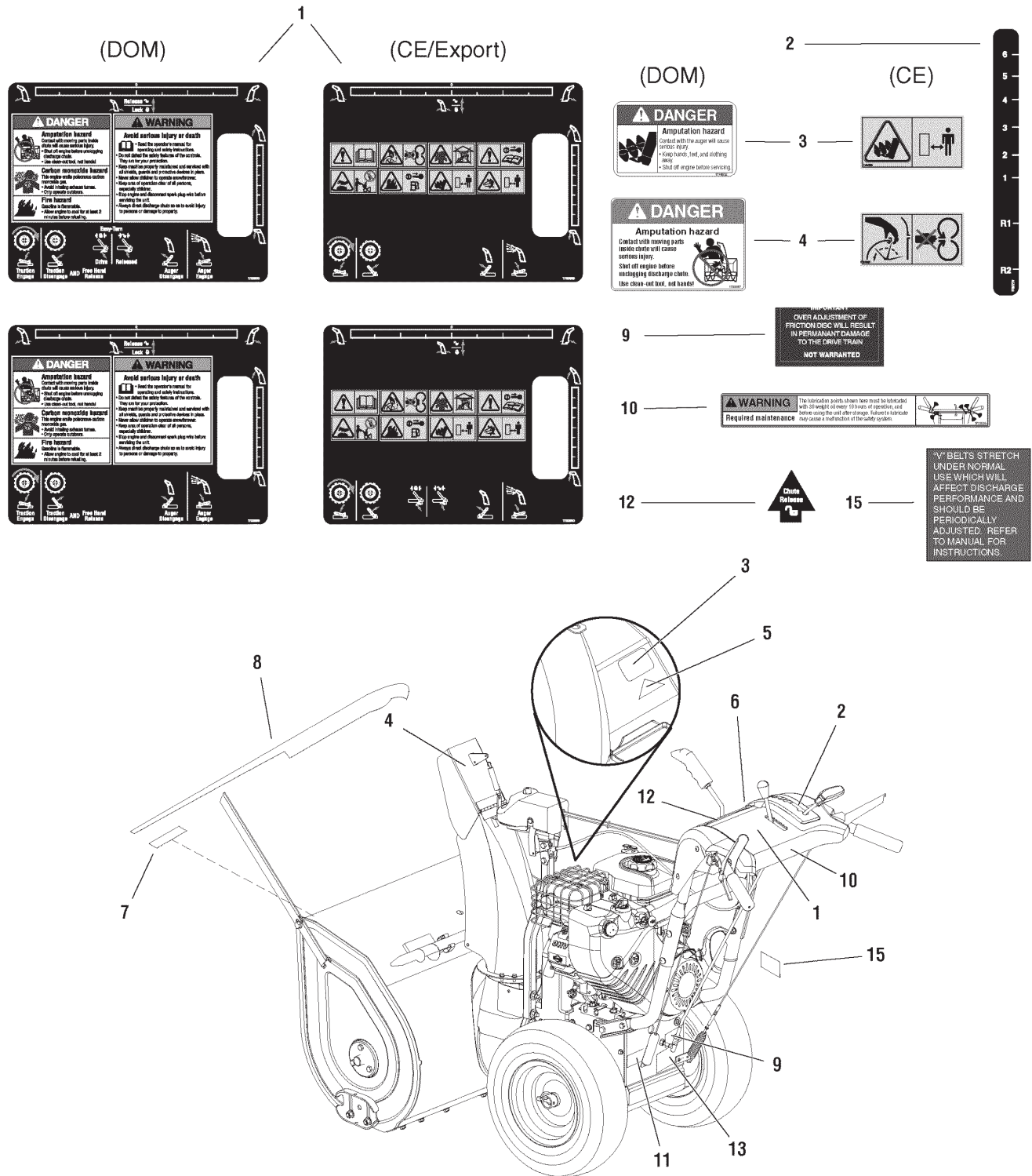
The above parts group applies to the following Mfg. Nos.:

1695326 - L1226E 1695335 - L1530EX
 1695327 - L1226E 1695338 - L1632E
 1695330 - L1428E
 1695331 - L1428EX
 1695334 - L1530E

Decal Group

NOTE: Unless noted otherwise, use the standard hardware torque specification chart.

987820



The above parts group applies to the following Mfg. Nos.:

- 1695326 - L1226E 1695335 - L1530EX
- 1695327 - L1226E 1695338 - L1632E
- 1695330 - L1428E
- 1695331 - L1428EX
- 1695334 - L1530E

Decal Group

REF NO	PART NO.	QTY.	DESCRIPTION
1	1733056SM	1	DECAL, Dashboard Standard Drive (Domestic Only)
1	1733033SM	1	DECAL, Dashboard EZ Turn (Domestic Only)
1	1733059SM	1	DECAL, Dashboard Standard Drive (CE/Export Only)
1	1733060SM	1	DECAL, Dashboard EZ Turn (CE/Export Only)
2	1733772SM	1	DECAL, Shift 1,2,3,4,5,6 R1 R2
3	1716532SM	1	DECAL, Danger Avoid Injury From Auger (Domestic Only)
3	1727208SM	1	DECAL, Impeller Warning (CE/Export Only)
4	1733057SM	1	DECAL, Danger Amputation Hazard (Domestic Only)
4	1727207SM	1	DECAL, Chute Warning (CE/Export Only)
5	*	1	DECAL, Opei Certified ANSI (Domestic Only)
6	1733199SM	1	DECAL, SMI Dash Swoosh
7	1734637SM	1	DECAL, SMI 1428L
7	1734636SM	1	DECAL, SMI 1226L
7	1734638SM	1	DECAL, SMI 1530L
7	1734639SM	1	DECAL, SMI 1632L
8	1733246SM	1	DECAL, SMI Stripe 27.07 Long
8	1733247SM	1	DECAL, SMI Stripe 25.09 Long
8	1733245SM	1	DECAL, SMI Stripe 29.00 Long
8	1733244SM	1	DECAL, SMI Stripe 31.00 Long
9	7859MA	1	DECAL, Over Adjustment of Friction Disc (Domestic Only)
10	1733526SM	1	DECAL, Warning Lubrication (Domestic Only)
11	1720454SM	1	DECAL, Touch Up Paint Orange, Black, Red
12	1733443SM	1	DECAL, Chute Release Arrow
13	*	1	STICKER, Serial w/Bar Code
15	7390MA	1	DECAL, Belt Stretch & Adjustment (Domestic Only)

Footnotes

Note* Not a serviceable part.

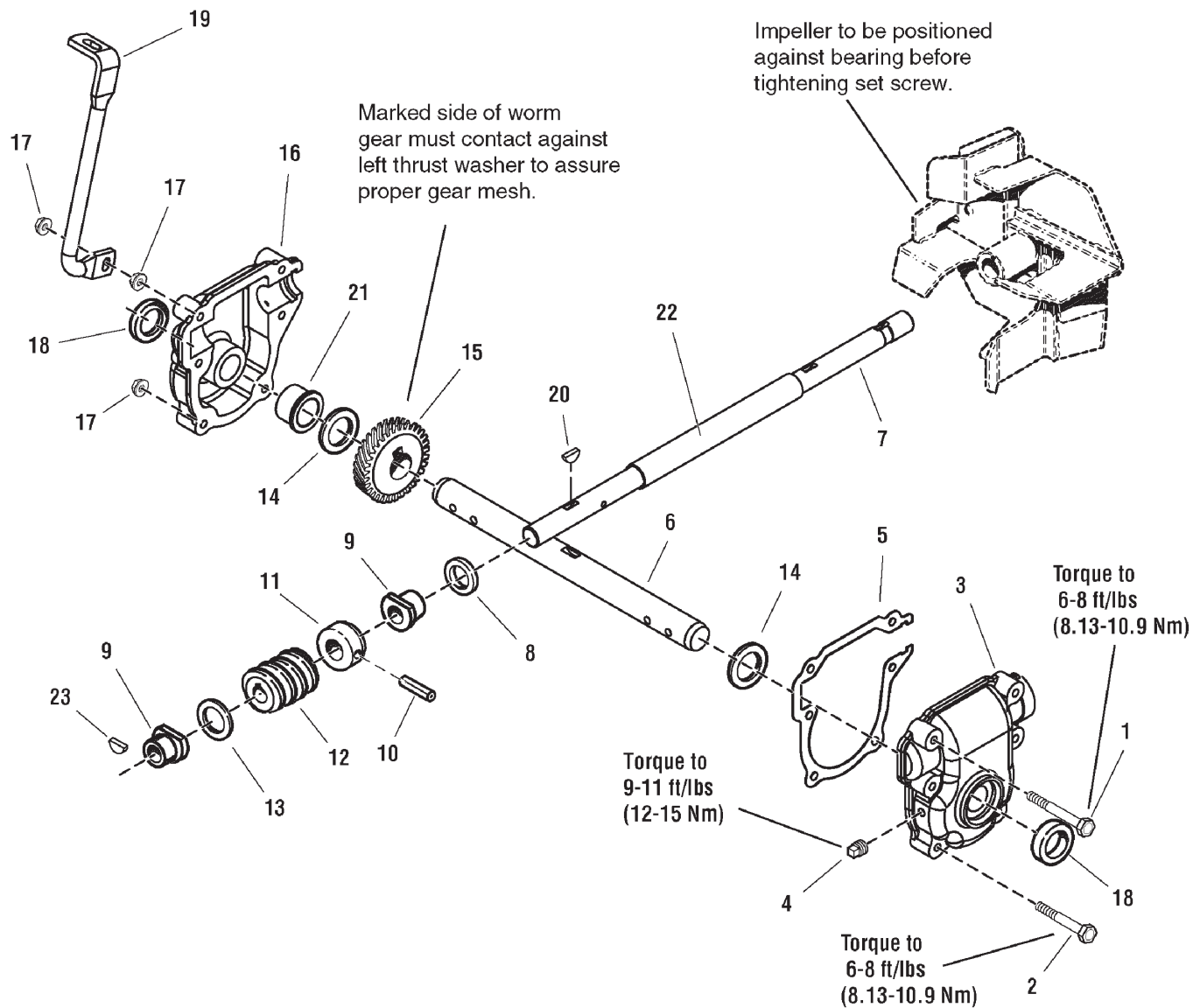
The above parts group applies to the following Mfg. Nos.:

1695326 - L1226E 1695335 - L1530EX
1695327 - L1226E 1695338 - L1632E
1695330 - L1428E
1695331 - L1428EX
1695334 - L1530E

Gear Case Assembly - Heavy Duty

1732303

NOTE: Unless noted otherwise,
use the standard hardware torque
specification chart.



The above parts group applies to the following Mfg. Nos.:

1695334 - L1530E
1695335 - L1530EX

Gear Case Assembly - Heavy Duty

REF NO	PART NO.	QTY.	DESCRIPTION
1	1923282SM	1	CAPSCREW, Hex Head, 1/4-20 x 2-1/2
2	1960346SM	5	CAPSCREW, Hex Head, 1/4-20 x 2-1/4
3	1612136SM	1	GEAR CASE, L.H.
4	1668971SM	1	FITTING, Pipe Plug
5	1612124SM	1	GASKET
6	1732440SM	1	SHAFT, Auger Cutoff
7	1732182SM	1	SHAFT, Worm Cutoff
8	1612093SM	2	SEAL, Oil
9	1612149SM	2	FLANGE BUSHING
10	2836098SM	1	PIN, Drive Lock
11	1612127SM	1	THRUST COLLAR
12	1612142SM	1	WORMGEAR, 1-3/4 OD x 1-3/8 Long
13	2168111SM	1	THRUST WASHER
14	2118315SM	2	THRUST WASHER
15	1612141SM	1	WORMGEAR, 21T, 3" O.D. x 7/8 Long
16	1612137SM	1	GEAR CASE, R.H.
17	1930642SM	7	NUT, Top Lock Flange 1/4-20
18	2118118SM	1	SEAL
19	1732152SM	1	BRACKET, Support
20	2818312SM	1	KEY, Woodruff .18 x .62
21	1732991SM	2	BUSHING
22	1612111SM	1	TUBE
23	2830246SM	1	KEY, Woodruff 1/4 x 3/4

Not for
Reproduction

Footnotes

The above parts group applies to the following Mfg. Nos.:

1695334 - L1530E

1695335 - L1530EX

Not for
Reproduction

Hardware Identification & Torque Specifications

Torque Specification Chart								
FOR STANDARD METRIC MACHINE HARDWARE (Tolerance ± 20%)								
Property Class	5.6		8.8		10.9		12.9	
	Class 5.6		Class 8.8		Class 10.9		Class 12.9	
Size Of Hardware	in/lbs	Nm.	in/lbs	Nm.	in/lbs	Nm.	in/lbs	Nm.
	ft/lbs		ft/lbs		ft/lbs		ft/lbs	
M3	5.88	.56	13.44	1.28	19.2	1.80	22.92	2.15
M4	13.44	1.28	30.72	2.90	43.44	4.10	52.56	4.95
M5	26.4	2.50	60.96	5.75	5.97	8.10	7.15	9.7
M6	44.64	4.3	7.3	9.9	10.3	14	12.1	16.5
M7	5.2	7.1	12.1	16.5	16.9	23	19.9	27
M8	7.7	10.5	17.7	24	25	34	29	40
M10	15	21	35	48	50	67	59	81
M12	26	36	61	83	86.2	117	103	140
M14	42	58	101	132	136	185	162	220
M16	64	88	147	200	210	285	250	340
M18	89	121	202	275	287	390	346	470
M20	126	171	290	390	405	550	486	660
M22	169	230	390	530	559	745	656	890
M24	217	295	497	375	708	960	840	1140
M27	320	435	733	995	1032	1400	1239	1680
M30	435	590	995	1350	1401	1900	1681	2280
M33	590	800	1349	1830	1902	2580	2278	3090
M36	759	1030	1740	2360	2441	3310	2935	3980
M39	988	1340	2249	3050	3163	4290	3798	5150

Torque Specification Chart						
FOR STANDARD MACHINE HARDWARE (Tolerance ± 20%)						
Hardware Grade	No Marks		SAE Grade 5		SAE Grade 8	
	SAE Grade 2		SAE Grade 5		SAE Grade 8	
Size Of Hardware	in/lbs	Nm.	in/lbs	Nm.	in/lbs	Nm.
	ft/lbs		ft/lbs		ft/lbs	
8-32	19	2.1	30	3.4	41	4.6
8-36	20	2.3	31	3.5	43	4.9
10-24	27	3.1	43	4.9	60	6.8
10-32	31	3.5	49	5.5	68	7.7
1/4-20	66	7.6	8	10.9	12	16.3
1/4-28	76	8.6	10	13.6	14	19.0
5/16-18	11	15.0	17	23.1	25	34.0
5/16-24	12	16.3	19	25.8	29	34.0
3/8-16	20	27.2	30	40.8	45	61.2
3/8-24	23	31.3	35	47.6	50	68.0
7/16-14	30	40.8	50	68.0	70	95.2
7/16-20	35	47.6	55	74.8	80	108.8
1/2-13	50	68.0	75	102.0	110	149.6
1/2-20	55	74.8	90	122.4	120	163.2
9/16-12	65	88.4	110	149.6	150	204.0
9/16-18	75	102.0	120	163.2	170	231.2
5/8-11	90	122.4	150	204.0	220	299.2
5/8-18	100	136	180	244.8	240	326.4
3/4-10	160	217.6	260	353.6	386	525.0
3/4-16	180	244.8	300	408.0	420	571.2
7/8-9	140	190.4	400	544.0	600	816.0
7/8-14	155	210.8	440	598.4	660	897.6
1-8	220	299.2	580	788.8	900	1,244.0
1-12	240	326.4	640	870.4	1,000	1,360.0

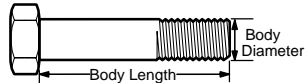
The guides and ruler furnished below are designed to help you select the appropriate hardware.



Nut, M8

Thread Diameter (mm)
Inside Diameter (in)
Threads per inch

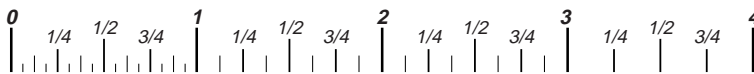
Nut, 1/2-16



Screw, M8- 1.25 x 25

Thread Diameter (mm)
Body Diameter
Distance between threads (mm)
Threads per inch
Body Length (mm)
Body Length (in)

Screw, 1/2- 16 x 2



Standard Hardware Sizing

When a washer or nut is identified as **1/2"** (M8), this is the *Nominal size*, meaning the *inside diameter* is 1/2 inch (8mm metric thread diameter); if a second number is present it represents the *threads per inch* (distance between threads).

When bolt or capscrew is identified as **1/2 - 16 x 2"** (M8 - 1.25 x 50), this means the *Nominal size*, or body diameter is 1/2 inch (8mm metric thread diameter), the second number, 16, represents the *threads per inch*, (1.25 thread diameter). The final number is the body length of the bolt or screw, 2 inches (50mm).

NOTES

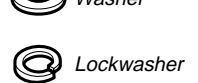
- These torque values are to be used for all hardware excluding: locknuts, self-tapping screws, thread forming screws, sheet metal screws and socket head setscrews.
- Recommended seating torque values for locknuts:
 - for prevailing torque locknuts - use 65% of grade 5 torques.
 - for flange whizlock nuts and screws - use 135% of grade 5 torques.
- Unless otherwise noted on assembly drawings, all torque values must meet this specification.

Common Hardware Types

Hex Head Capscrew



Washer



Carriage Bolt



Hex Nut

Wrench & Fastener Size Guide

1/4" Bolt or Nut Wrench—7/16"	5/16" Bolt or Nut Wrench—1/2"	3/8" Bolt or Nut Wrench—9/16"	7/16" Bolt or Nut Wrench (Bolt)—5/8" Wrench (Nut)—11/16"	1/2" Bolt or Nut Wrench—3/4"
M6 Bolt or Nut Wrench—10mm	M8 Bolt or Nut Wrench—13mm	M10 Bolt or Nut Wrench—17mm	M12 Bolt or Nut Wrench—19mm	M14 Bolt or Nut Wrench—22mm

Not for
Reproduction

**IT IS THE POLICY OF BRIGGS & STRATTON CORP. TO IMPROVE ITS PRODUCTS
WHENEVER IT IS POSSIBLE AND PRACTICAL TO DO SO. WE RESERVE THE RIGHT TO
MAKE CHANGES OR ADD IMPROVEMENTS AT ANY TIME WITHOUT INCURRING ANY
OBLIGATION TO MAKE SUCH CHANGES ON PRODUCTS.**

Briggs & Stratton Yard Power Products Group

3515 N. 124 Street / PO Box 702
Wauwatosa, WI 53222 USA

www.simplicitymfg.com

© Copyright 2013 by Briggs & Stratton Corporation
Milwaukee, WI, USA. All rights reserved