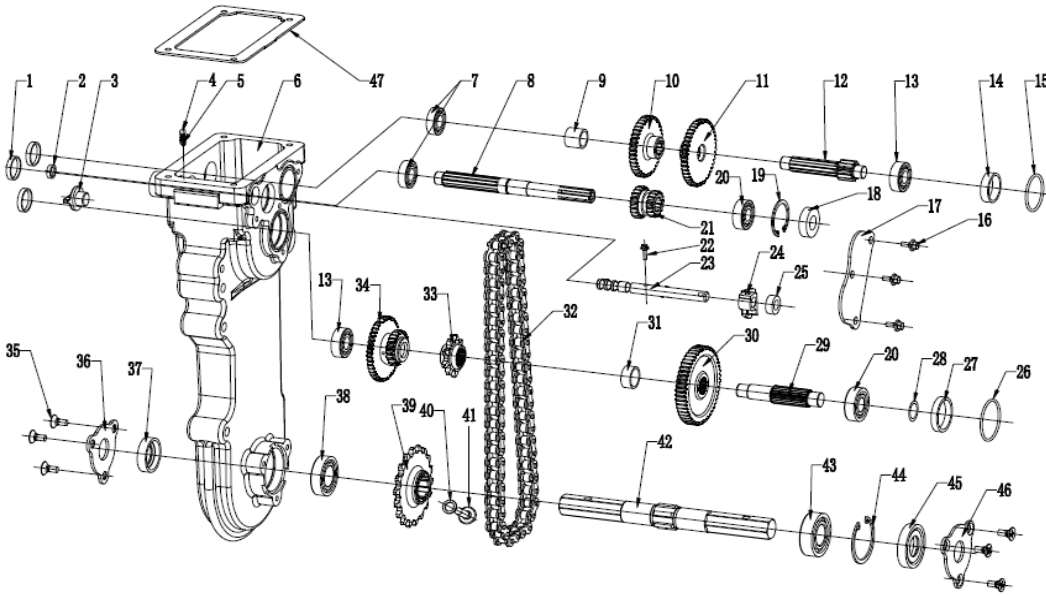


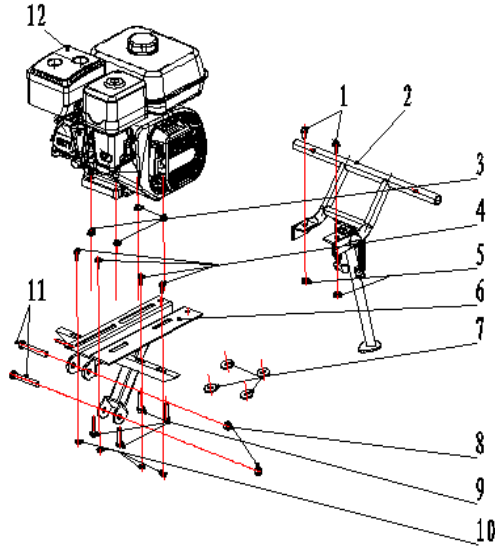
## 1、 GEARBOX ASSY



Series No.	Part Code	English Name	Quantity for One Unit
1	Ps7099-0100070001	OIL PLUG (BIG)/ $\varnothing 28 \times \varnothing 24 \times 6$	3
2	Ps7099-0100070002	OIL PLUG (SMALL)/ $\varnothing 16 \times \varnothing 13.5 \times 5.5$	1
3	Ps7099-0100040001	OIL PLUG	1
4	Ps7099-011701001	STEEL BALL $\varnothing 6.3$	1
5	Ps7099-0100180001	SHIFTING SPRING/ $\varnothing 1 \times \varnothing 6 \times 20$	1
6	Ps7099-0100010001	GEAR BOX	1
7	Ps7099-011401002	Bearing 6002	2
8	Ps7099-0100050001	MAIN SHAFT	1
9	Ps7099-0100100002	SHAFT HOUSING I $\varnothing 18.5 \times \varnothing 23 \times 18$	1
10	Ps7099-0100090001	COUNTER SHAFT GEAR ONE	1
11	Ps7099-0100090002	COUNTER SHAFT GEAR TWO	1
12	Ps7099-0100080001	COUNTER SHAFT	1
13	Ps7099-011401003	Bearing 6202	2
14	Ps7099-0100100001	STOP RING I/ $\varnothing 30 \times \varnothing 35 \times 9$	1
15	Ps7099-011501001	O-RING 40 $\times$ 2.65	1
16	Ps7099-010109001	HEXAGON FLANGE BOLT M6*1*12	3
17	Ps7099-0100020001	OIL STOPPER	1
18	Ps7099-011601001	OIL SEAL $\varnothing 17 \times \varnothing 40 \times 6$	1
19	Ps7099-010703001	CHECK RING 40*1.5	1
20	GB/T 276-94	Bearing 6203	2
21	Ps7099-0100060001	TWO-THROW GEAR	1
22	Ps7099-010109014	BOLT GB/T16674.1/M6*1*20	1
23	Ps7099-0100170001	SHIFT FORK SHAFT	1
24	Ps7099-0100160001	SHIFT FORK	1
25	Ps7099-011601004	OIL SEAL $\varnothing 12 \times \varnothing 22 \times 6$	1
26	Ps7099-011501002	O-RING 45 $\times$ 2.65	1
27	Ps7099-0100100004	STOP RING II/ $\varnothing 35 \times \varnothing 41 \times 9$	1
28	Ps7099-0100110001	WASHER $\varnothing 17.5 \times \varnothing 26 \times 0.5$	1
29	Ps7099-0100120001	DRIVING SHAFT	1
30	Ps7099-0100090003	DRIVING GEAR	1
31	Ps7099-0100100003	SHAFT HOUSING II	1
32	Ps7099-012101001	CHAIN	1
33	Ps7099-0100130001	DRIVING SPROCKET	1
34	Ps7099-0100060011	REVERSE TWO-THROW GEAR	1
35	Ps7099-010202001	CROSS RECESSED COUNTERSUNK HEAD SCREW M8 $\times$ 16	6
36	Ps7099-0100150002	RIGHT-SIDE ASH-DEFENDER COVER(SMALL)	1
37	Ps7099-011601002	OIL SEAL 25 $\times$ 41 $\times$ 9	1
38	Ps7099-011601002	BEARING 6005	1

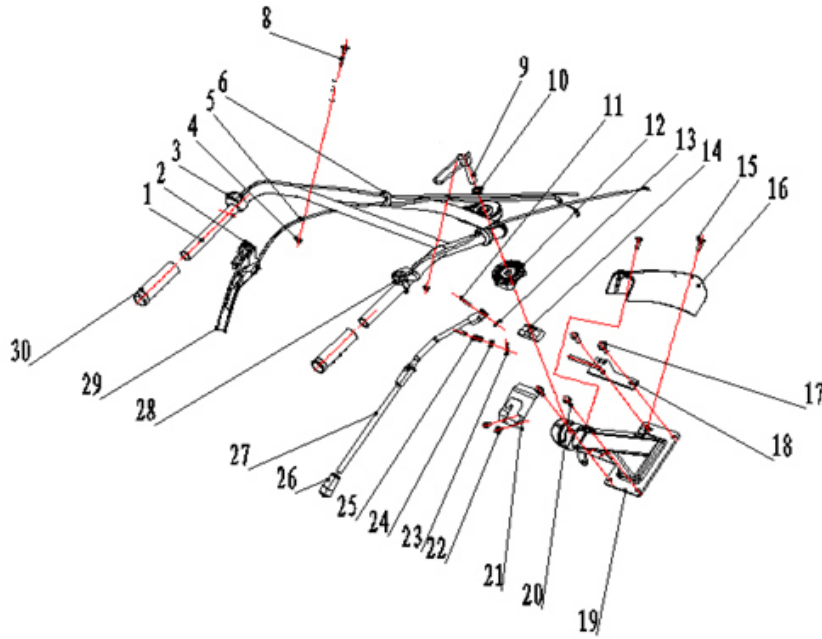
39	Ps7099-0100130002	DRIVEN SPROCKET	1
40	Ps7099-0100030001	WASHER	1
41	Ps7099-010110001	BOLT M10*1.25*12	1
42	Ps7099-0100140001	HEXAGON OUTPUT SHAFT	1
43	GB/T 276-9405	BEARING 6205	1
44	GB/T 893.1-86	CHECK RING 52	1
45	Ps7099-011601003	OIL SEAL $\phi$ 25 $\times$ $\phi$ 52 $\times$ 9	1
46	Ps7099-0100150001	LEFT-SIDE ASH-DEFENDER COVER(BIG)	1
47	Ps7099-0100380001	PARER GASKET	1

## 2. ENGINE SUPPORT



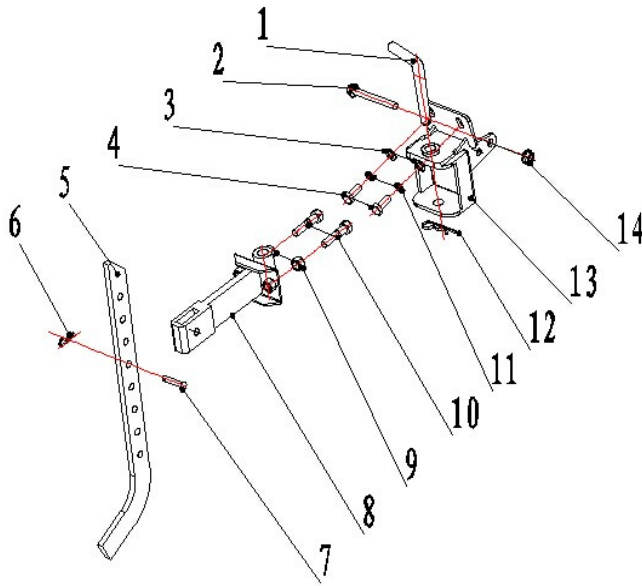
Series No.	Part Code	English Name	Quantity for One Unit
1	Ps7099-010109005	BOLT M8*1.25*16	2
2	Ps7099-01000005	BUMPER ASSY	1
3	Ps7099-010415003	NUT M8*1.25	4
4	Ps7099-010109002	BOLT M8*1.25*20	4
5	Pspp3-1-30	HEXAGON FLANGE NUT M8*1.25	2
6	Ps7099-0100300001	ENGINE SUPPORT	1
7	Ps7099-010504002	WASHER 8*2	4
8	Pspp2s-22	NUT M10*1.5	2
9	Ps7099-010109004	BOLT M8*1.25*35	4
10	Pspp3-1-30	NUT M8*1.25	4
11	Ps7099-010103001	BOLT M10*1.5*70	2
12	Ps7099-01	JIANGDONG ENGINE JM200	1

### 3、 STEERING HANDLE ASSY



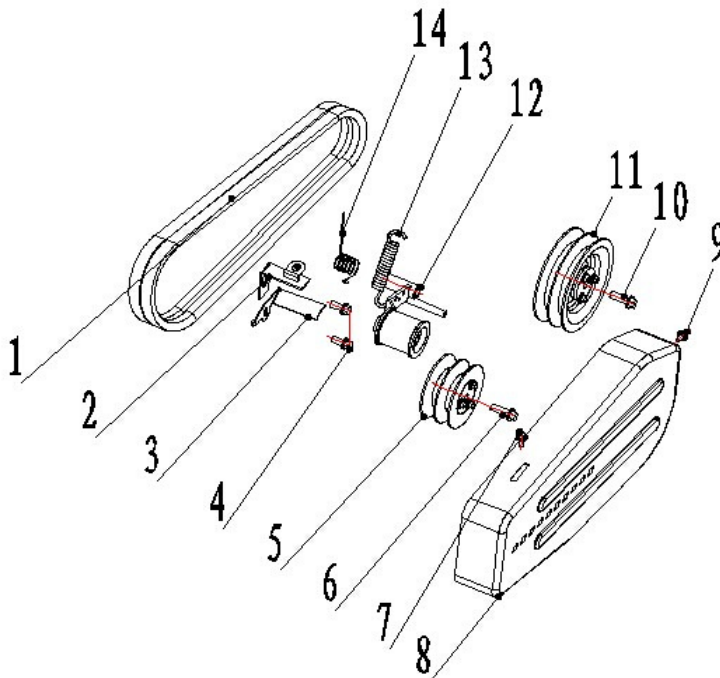
Series No.	Part Code	English Name	Quantity for One Unit
1	Ps7099-0100430037AB	STEERING HANDLE	1
2	Ps7099-0100500006	CLUTCH HANDLE BAR	1
3	T0302400	SHUT DOWN SWITCH	1
4	Ps7099-010406003AF	NUT	2
5	Ps7099-0100540048	CLUTCH CABLE	1
6	Ps7099-0101600006	CABLE HOOP	2
8	Ps7099-010208006AF	BOLT NAIL	2
9	Ps7099-0100560010AE	ADJUSTMENT HANDLE BAR	1
10	Ps7099-010601008AF	SPRING WASHER	1
11	GB 882	PIN	1
12	Ps7099-0101030003AB	GEAR PLATE	1
13	T0302006	R TYPE PIN	1
14	Ps7099-0101880004	LIMITING PLATE	1
15	Ps7099-010208003AF	BOLT NAIL	2
16	Ps7099-0100820004AA	DECORATING COVER	1
17	Ps7099-010109006AF	BOLT	2
18	Ps7099-0100490001AA	CLUTCH SHAFT	1
19	Ps7099-0100440021AB	STEERING HANDLE SUPPORT	1
20	Ps7099-010109002AF	BOLT	2
21	Ps7099-0100480009AE	GEAR SHAFT COVER	1
22	Ps7099-010109009AF	BOLT	2
23	Ps7099-011201002AF	R PIN	1
24	Ps7099-010505012AF	SPRING WASHER	1
25	Ps7099-0100180007	SPRING	1
26	Ps7099-0100470008	RUBBER	1
27	Ps7099-01000189AE	GEAR SHAFT ASSY	1
28	Ps7099-0100530025	THROTTLE SWITCH	1
30	Ps7099-0100510011	HANDLE BAR RUBBER COVER	2

### 4、 DRAGGING HITCH ASSY



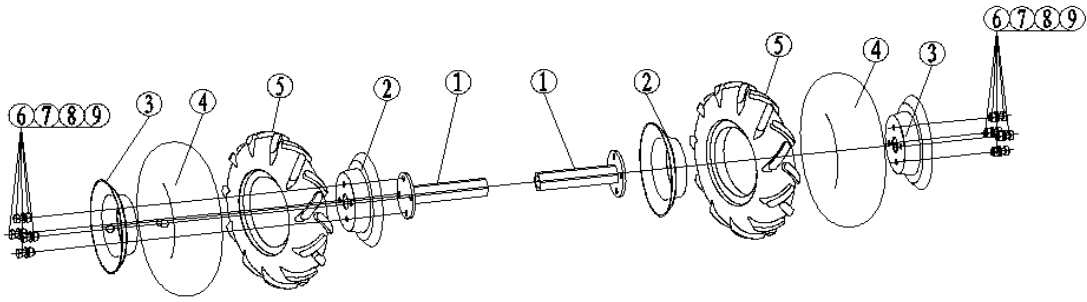
Series No.	Part Code	English Name	Quantity for One Unit
1	Ps7099-0100410001	DEEP FURROWING RESISTANCE PART (TYPE-L)	1
2	Ps7099-010109008	BOLT M10*1.5*85	1
3	Ps7099-010505012	WASHER 10*2	2
4	Ps7099-010104001	BOLT M10*1.5*25	2
5	Ps7099-0100410001	RESISTANCE BLADE	1
6	T0304001	R TYPE PIN Φ2*9*38	1
7	Ps7099-011801001	PIN 10*40	1
8	Ps7099-0100390029	CONNECTING FRAME	1
9	Ps7099-010401003AF	NUT M12*1.75*50	2
10	Ps7099-010104002	BOLT M12*1.75*50	2
11	Psml907-01-13	SPRING WASHER	2
12	Ps7099-011201001	R PIN Φ3*20*60	1
13	Ps7099-0100400001	DRAGGING HITCH	1
14	Pspp2s-22	NUT M10*1.5	1

### 5、DRIVING PULLEY ASSY



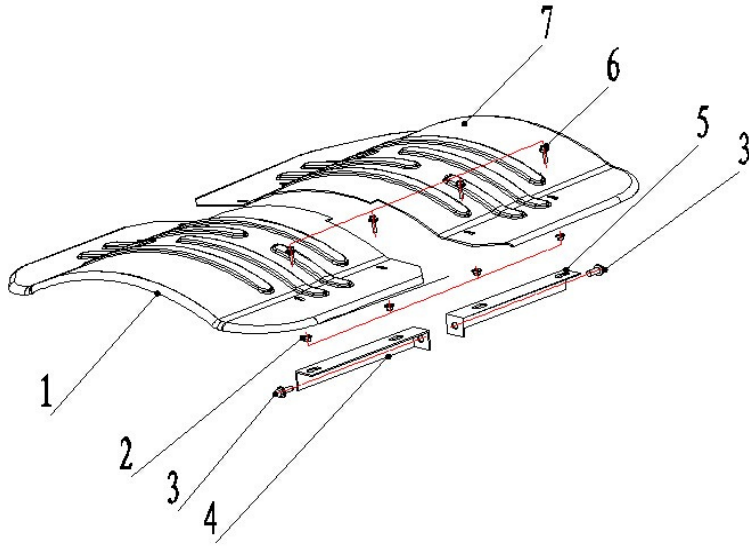
Series No.	Part Code	English Name	Quantity for One Unit
1	T0306006	BELT (TYPE B-17×864Li)	2
2	Ps7099-0100210002	TENSIONER PLATE A	1
3	Ps7099-0100220001	TENSIONER PLATE B	1
4	Ps7099-010109005AF	BOLT M8*1.25*16	2
5	Ps7099-01000073	DRIVING BELT ASSY	1
6	Ps7099-010109002	BOLT M8*1.25*20	1
7	Ps7099-010109007	BOLT M6*1*10	1
8	Ps7099-0100190001	BELT COVER	1
9	Ps7099-010109001	BOLT M6*1*12	1
10	Ps7099-010109002	BOLT M8*1.25*20	1
11	Ps7099-01000003	DRIVEN BELT ASSY	1
12	Ps7099-01000004	TENSIONER WHEEL	1
13	Ps7099-0100290001	TENSIONER SPRING	1
14	Ps7099-0100270001	TENSIONER RETURN SPRING	1

6、 WHEEL ASSY (4.00-8)



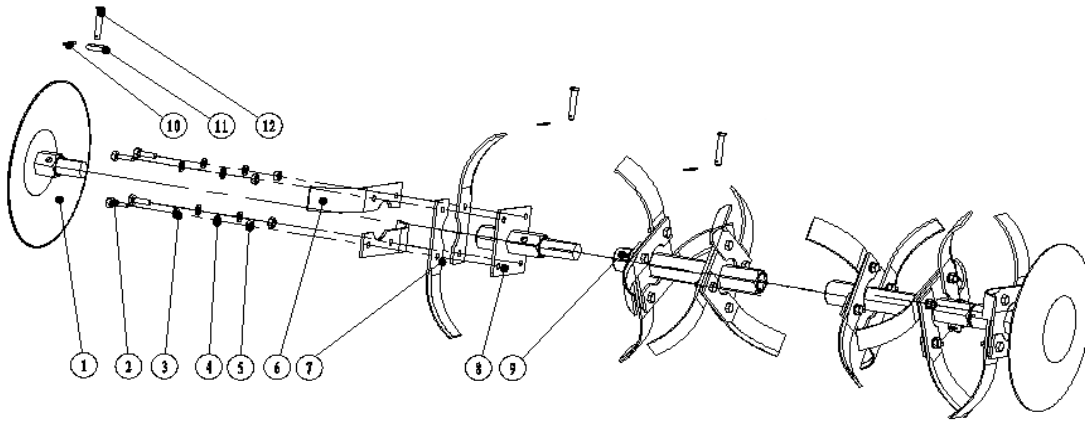
Series No.	Part Code	English Name	Quantity for One Unit
1	7053501	WHEEL SHAFT SET	1
2+3	T0310002	WHEEL HUB	1
4	40087505	INNER TUBE 4.00-8	2
5	40087504	OUTTER TUBE 4.00-8	2
6	Pspp50-1-19	HEXAGON FLANGE BOLTM8×20	8
7	Ps340-2-84	WASHER 8	8
8	gw8	WASHER SPRING 8	8
9	Pspp3-1-30	HEXAGON FLANGE NUTS M8	8

## 7、 MUD DFENDER ASSY



Series No.	Part Code	English Name	Quantity for One Unit
1	Ps7099-0100360001	LEFT-SIDE FENDER	1
2	Pspp3-1-30	NUT M8*1.25	4
3	Pspp50-1-19	BOLT M8*1.25*20	2
4	Ps7099-0100370001	LEFT MUD DFENDER SUPPORT	1
5	Ps7099-0100370002	RIGHT MUD DFENDER SUPPORT	1
6	Ps7099-010104006	BOLT M8*1.25*20	4
7	Ps7099-0100350001	RIGHT-SIDE FENDER	1

### 8.BLADE ASSY (3-4)



Series No.	Part Code	English Name	Quantity for One Unit
1	T0304100	DISC	2
2	51410013	HXAGON FLANGE BOLTM8×30	24
3	Ps340-2-84	WASHER 8	24
4	gw8	WASHER SPRING 8	24
5	Pspp3-1-30	HXAGON FLANGE NUT M8	24
6	T0304002	LEFT ROTARY BLADE (3-4)	12
7	T0304003	RIGHT ROTARY BLADE (3-4)	12
8	Ps7099-F1.F101015AA	VICE BLADE CYLINDER	2
9	Ps7099-F1.F101013AA	BLADE CYLINDER	2
10	T0304001	βPINφ2×9×38	6
11	Ps340-2-84	WASHER 8	6
12	GB/T 882	B PIN 8×40	6