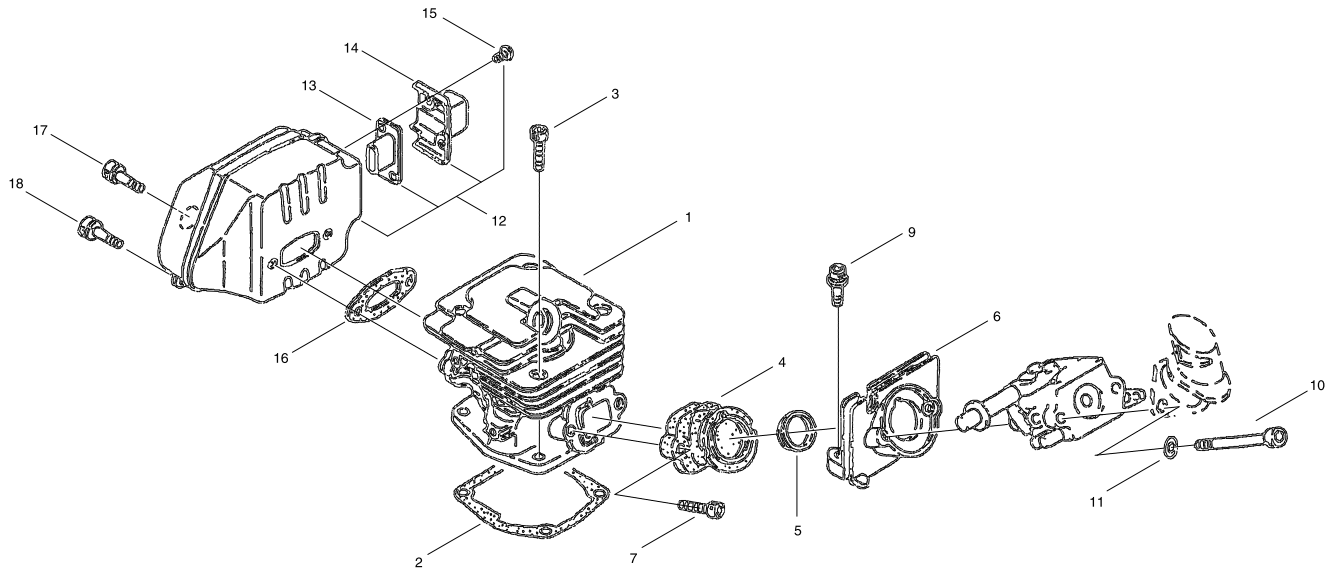


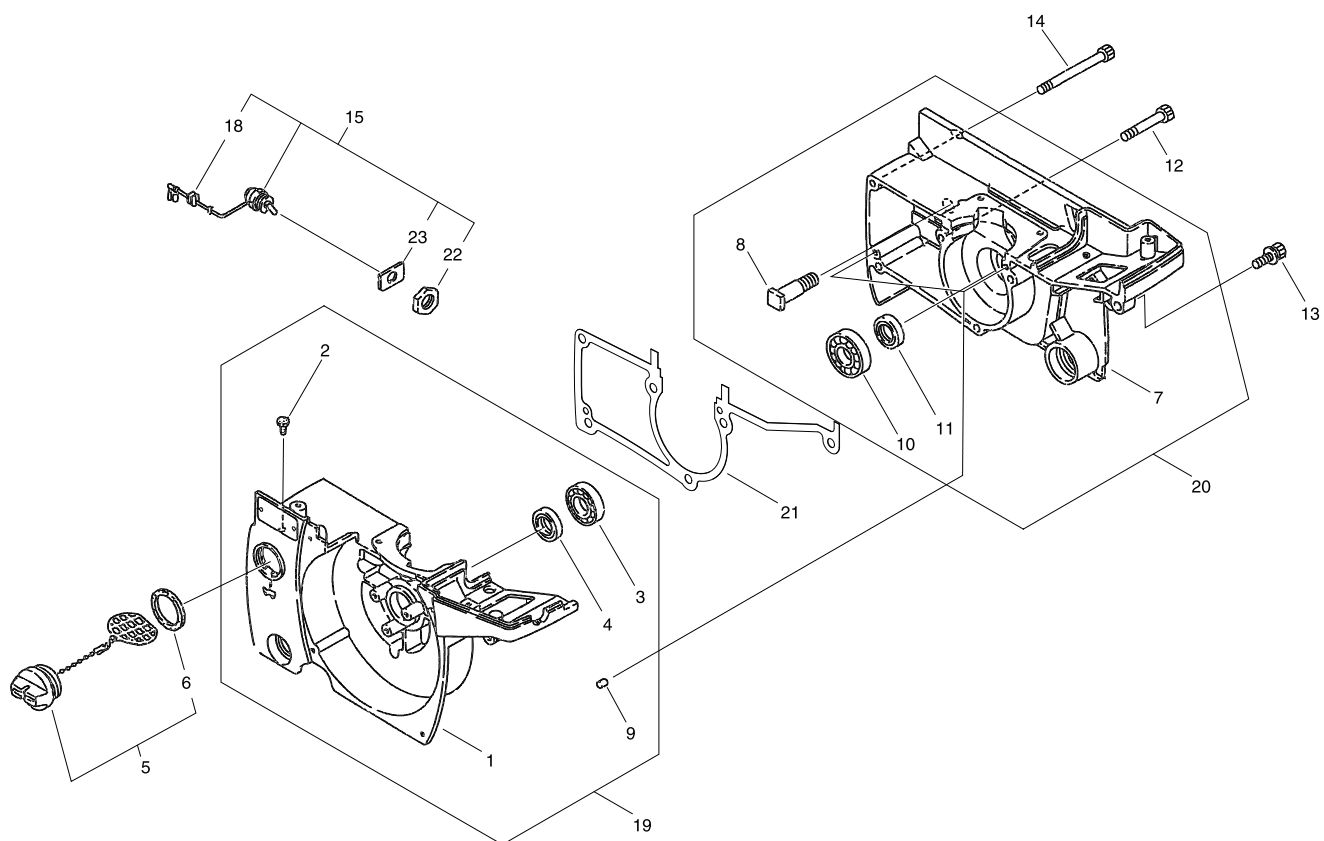
# **shindaiwa<sup>®</sup>**

## **PARTS CATALOGUE**

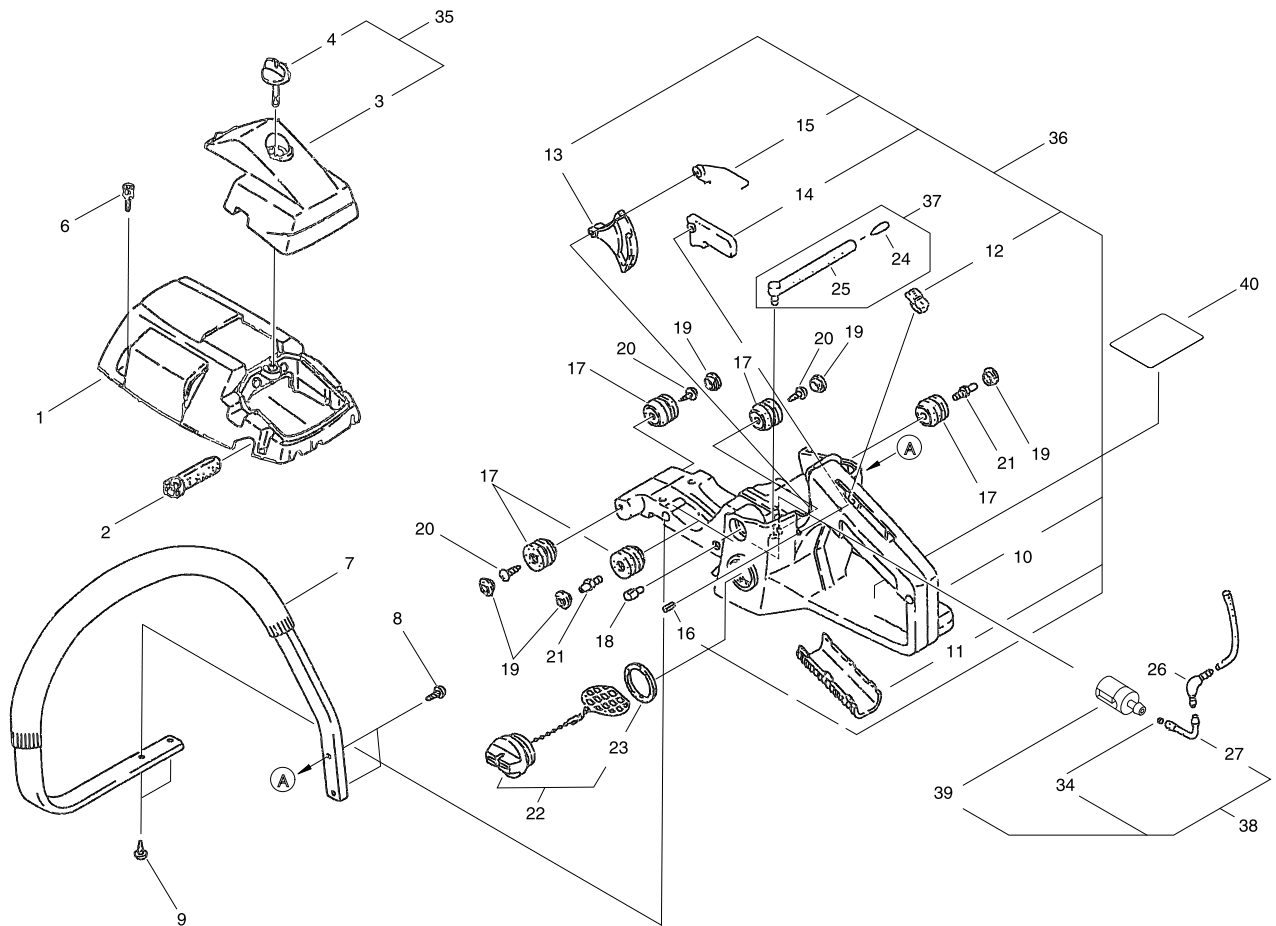
### **377**



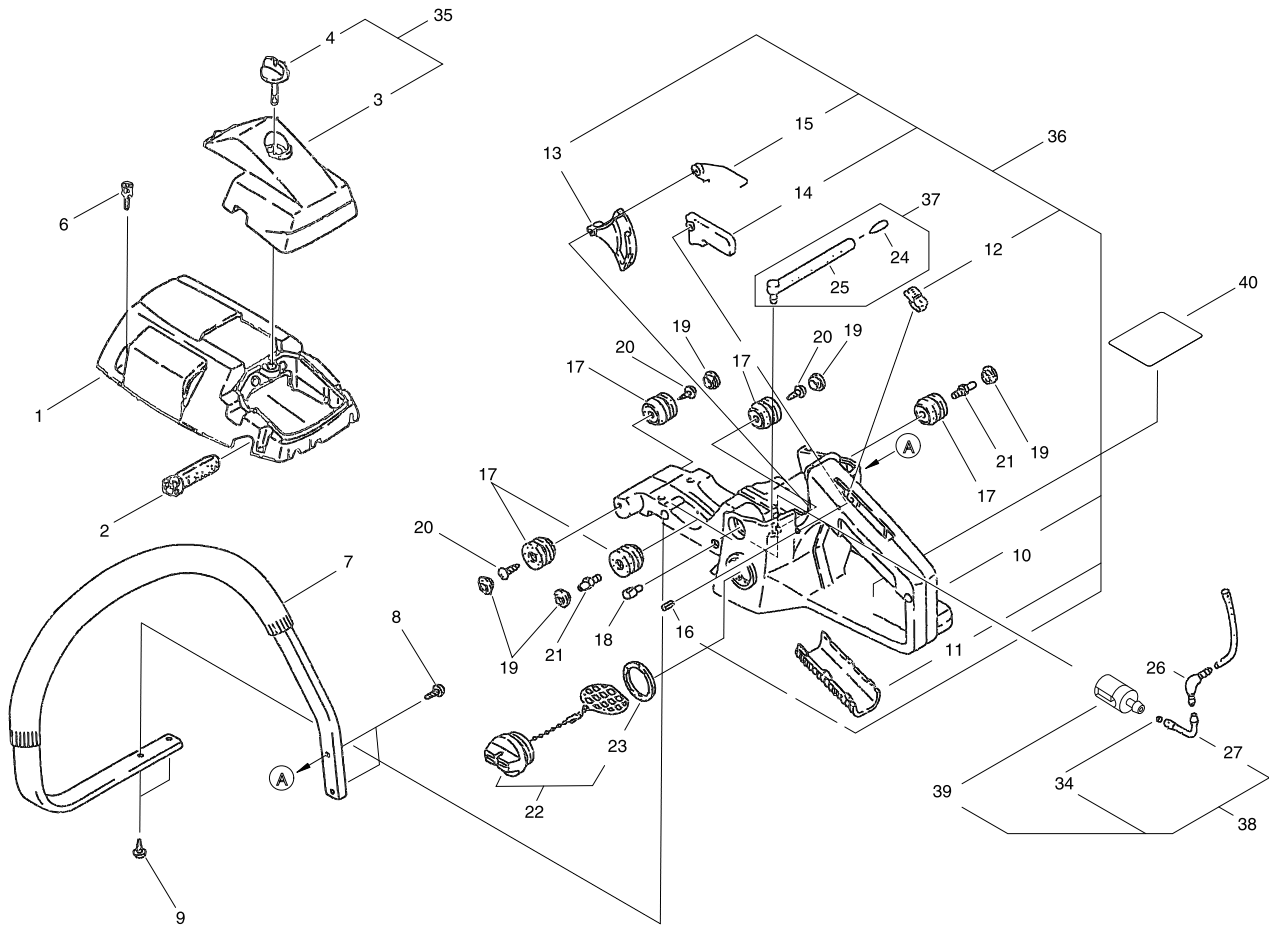
| KEY | LV | PART NUMBER  | Q'TY | DESCRIPTION       | REMARKS |
|-----|----|--------------|------|-------------------|---------|
| 1   |    | A130-001470  | 1    | CYLINDER          |         |
| 2   |    | V100-000500  | 1    | GASKET CYLINDER   |         |
| 3   |    | V203-001200  | 4    | BOLT              |         |
| 4   |    | A202-000110  | 1    | BOOT              |         |
| 5   |    | V359-000200  | 1    | COLLAR            |         |
| 6   |    | A200-000780  | 1    | BRACKET           |         |
| 7   |    | V202-000390  | 2    | BOLT ADHESIVE     |         |
| 9   |    | V202-000520  | 2    | BOLT,4            |         |
| 10  |    | V203-001210  | 2    | BOLT ADHESIVE     |         |
| 11  |    | 900600-00005 | 2    | WASHER 5          |         |
| 12  |    | A030-000380  | 1    | MUFFLER SUB ASSY  |         |
| 13  | +  | A310-000290  | 1    | SCREEN            |         |
| 14  | +  | A313-001490  | 1    | TAIL PLATE        |         |
| 15  | +  | 91578-04006  | 2    | SCREW             |         |
| 16  |    | V104-001560  | 1    | GASKET MUFFLER    |         |
| 17  |    | V203-000720  | 2    | BOLT SW           |         |
| 18  |    | V203-001420  | 2    | BOLT ADHESIVE     |         |
| 19  |    | P021-022190  | 1    | CRANK CASE M COMP |         |



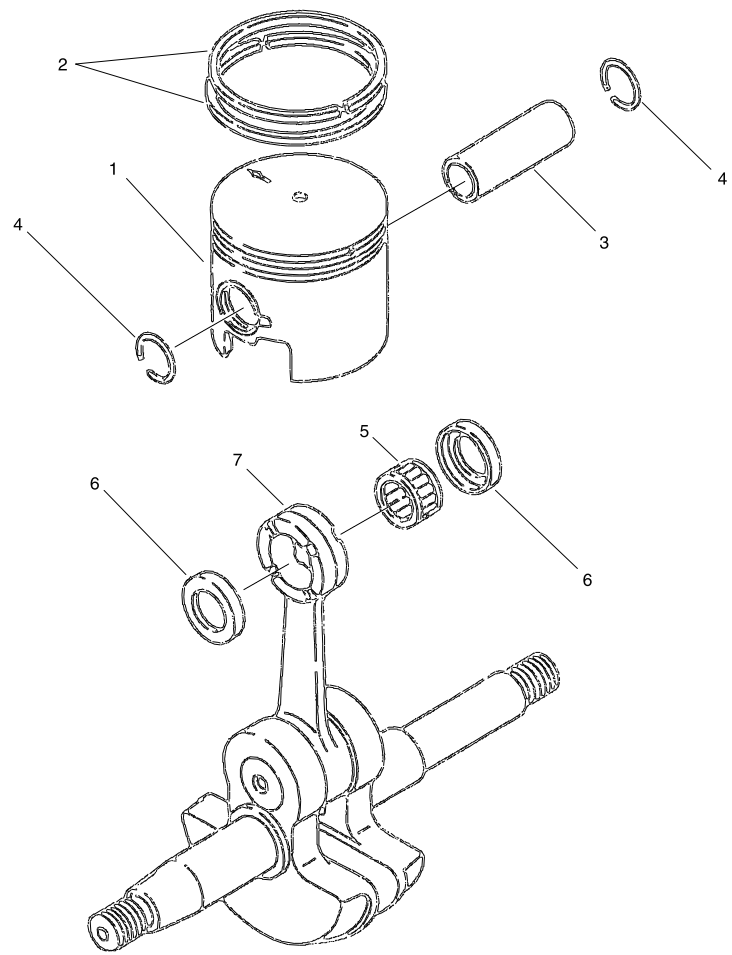
| KEY | LV | PART NUMBER | Q'TY | DESCRIPTION       | REMARKS |
|-----|----|-------------|------|-------------------|---------|
| 1   | +  | A120-000500 | 1    | CRANK CASE M      |         |
| 2   | +  | A356-000130 | 1    | VALVE,CHECK       |         |
| 3   | +  | V592-000310 | 1    | BEARING, BALL     |         |
| 4   | +  | V505-000140 | 1    | SEAL,OIL          |         |
| 9   | +  | V622-000040 | 2    | ROLLER            |         |
| 5   |    | C020-000020 | 1    | OIL CAP ASSY      |         |
| 6   | +  | V106-000080 | 1    | GASKET CAP        |         |
| 20  |    | P021-022200 | 1    | CRANK CASE C COMP |         |
| 7   | +  | A120-000910 | 1    | CRANKCASE         |         |
| 8   | +  | V225-000130 | 2    | BOLT BAR          |         |
| 10  | +  | V592-000330 | 1    | BEARING, BALL     |         |
| 11  | +  | V505-000140 | 1    | SEAL,OIL          |         |
| 12  |    | V203-000370 | 3    | BOLT ADHESIVE     |         |
| 13  |    | V203-001230 | 1    | BOLT ADHESIVE     |         |
| 14  |    | V203-001240 | 2    | BOLT ADHESIVE     |         |
| 15  |    | A045-000450 | 1    | SWITCH ASSY       |         |
| 18  | +  | V136-000110 | 1    | GROMMET           |         |
| 22  | +  | V266-000090 | 1    | NUT,10            |         |
| 23  | +  | X510-000510 | 1    | PLATE             |         |
| 21  |    | V102-000120 | 1    | GASKET CASE       |         |



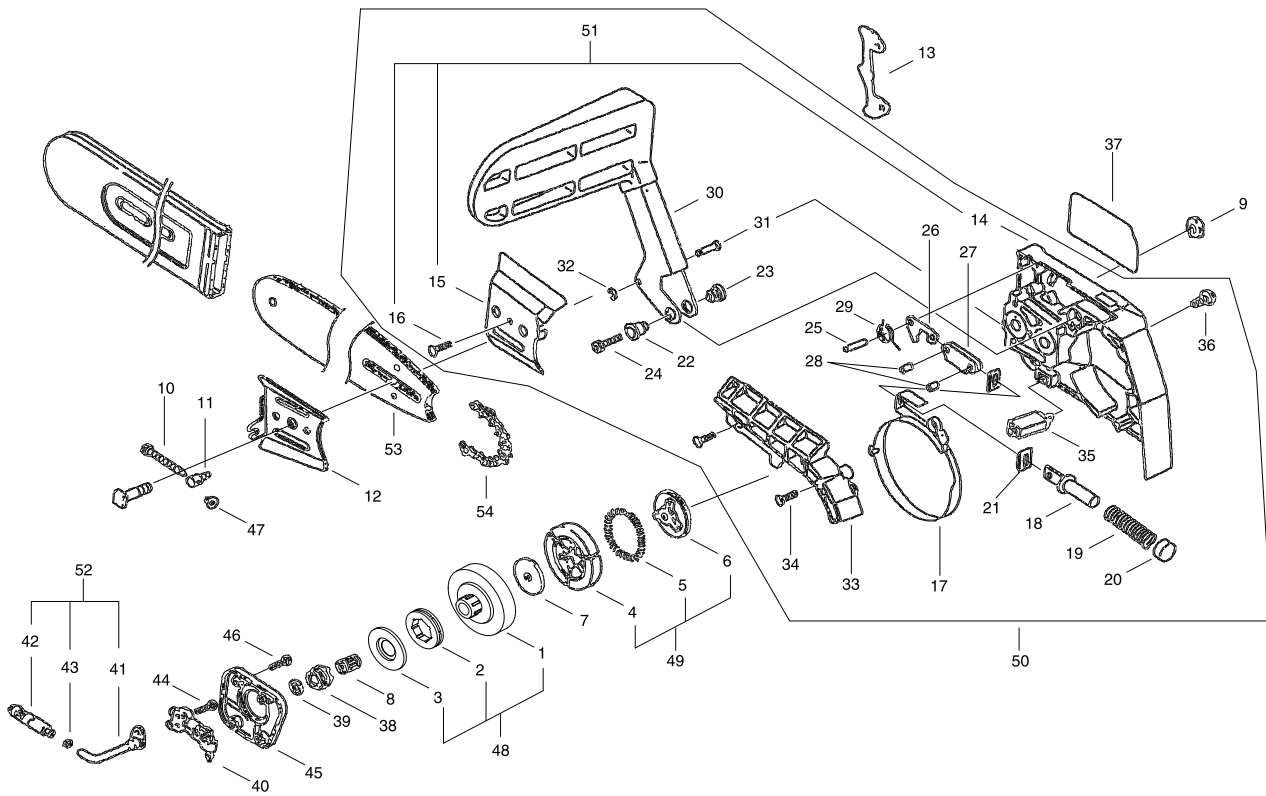
| KEY | LV | PART NUMBER | Q'TY | DESCRIPTION          | REMARKS |
|-----|----|-------------|------|----------------------|---------|
| 1   |    | A160-001920 | 1    | CYLINDER COVER       |         |
| 2   |    | V131-000050 | 1    | GROMMET              |         |
| 35  |    | P021-034760 | 1    | CLEANER COVER-C      |         |
| 3   | +  | A232-001000 | 1    | CLEANER COVER        |         |
| 4   | +  | A235-000280 | 1    | KNOB CLEANER COVER   |         |
| 6   |    | V202-000470 | 3    | BOLT ADHESIVE        |         |
| 7   |    | C040-000460 | 1    | FRONT HANDLE         |         |
| 8   |    | V203-001370 | 2    | BOLT HILO            |         |
| 9   |    | V203-001360 | 2    | BOLT HILO            |         |
| 36  |    | P021-035480 | 1    | REAR HANDLE SUB ASSY |         |
| 10  | +  | C041-000240 | 1    | REAR HANDLE          |         |
| 11  | +  | C412-000560 | 1    | GRIP                 |         |
| 12  | +  | C561-000050 | 1    | SLIDE STOPPER        |         |
| 13  | +  | C450-000600 | 1    | THROTTLE LEVER       |         |
| 14  | +  | C460-000270 | 1    | LOCK LEVER           |         |
| 15  | +  | V452-000720 | 1    | COIL SPRING          |         |
| 16  | +  | 93060-40250 | 2    | PIN, SPRING          |         |
| 17  |    | V401-000240 | 5    | CUSHION 22           |         |
| 18  |    | V420-002660 | 1    | SUPPORTER            |         |
| 19  |    | V421-000010 | 5    | PLUG 22              |         |
| 20  |    | V203-001380 | 3    | BOLT HILO            |         |
| 21  |    | V203-001250 | 2    | STOP BOLT 22         |         |
| 22  |    | P021-034280 | 1    | FUEL CAP ASY         |         |
| 23  | +  | V106-000080 | 1    | GASKET CAP           |         |



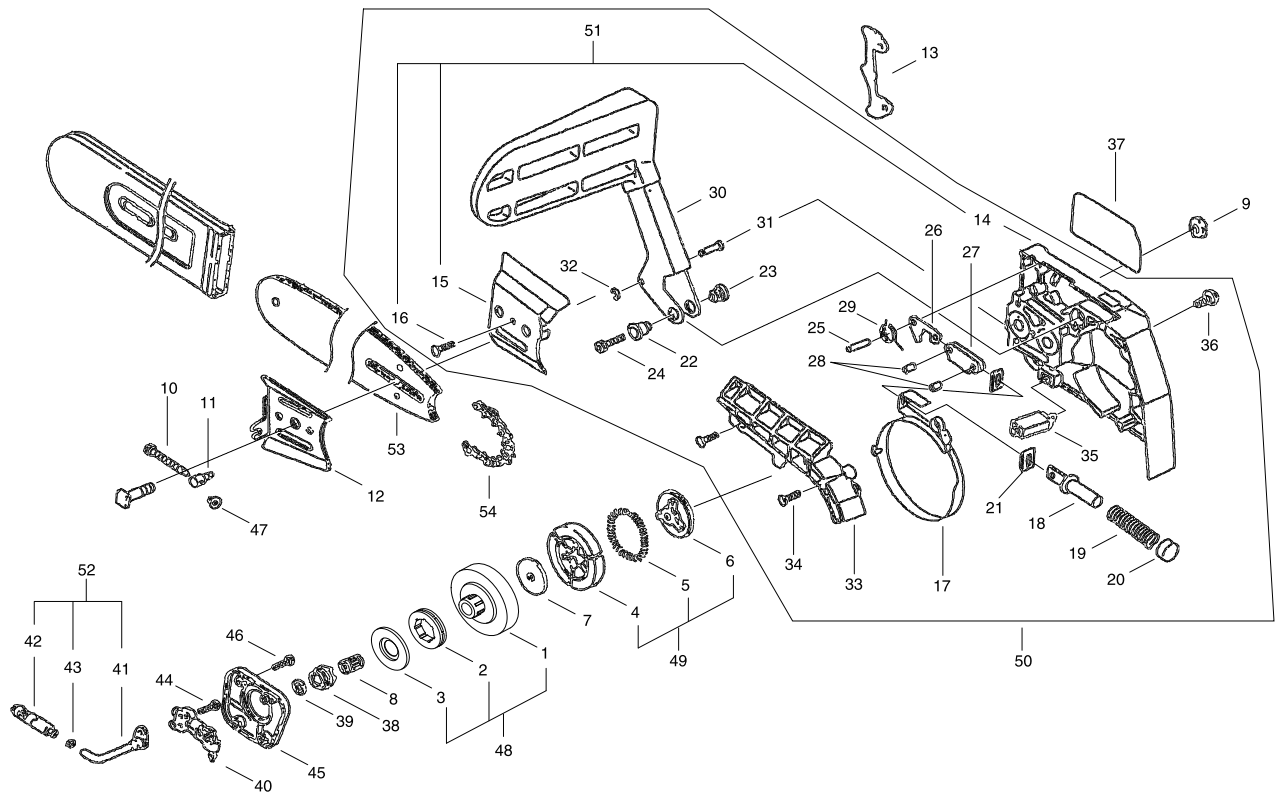
| KEY | LV | PART NUMBER  | Q'TY | DESCRIPTION    | REMARKS |
|-----|----|--------------|------|----------------|---------|
| 37  |    | A356-000110  | 1    | BREATHER ASSY  |         |
| 24  | +  | A356-000120  | 1    | ELEMENT        |         |
| 25  | +  | V470-001240  | 1    | PIPE           |         |
| 26  |    | V186-000280  | 1    | JOINT          |         |
| 38  |    | V470-001250  | 1    | FUEL PIPE ASSY |         |
| 27  | +  | V470-001260  | 1    | FUEL PIPE      |         |
| 34  | +  | V490-000500  | 1    | CLIP           |         |
| 39  | +  | 131205-19831 | 1    | STRAINER, FUEL |         |
| 40  |    | 890345-39230 | 1    | LABEL, CAUTION |         |



| KEY | LV | PART NUMBER | Q'TY | DESCRIPTION      | REMARKS |
|-----|----|-------------|------|------------------|---------|
| 1   |    | A100-000800 | 1    | PISTON           |         |
| 2   |    | A101-000470 | 2    | PISTON RING      |         |
| 3   |    | V608-000020 | 1    | PISTON PIN       |         |
| 4   |    | V580-000110 | 2    | SNAP RING        |         |
| 5   |    | V555-000090 | 1    | NEEDLE BEARING   |         |
| 6   |    | V307-000260 | 2    | THRUST WASHER    |         |
| 7   |    | A011-000970 | 1    | CRANK SHAFT ASSY |         |

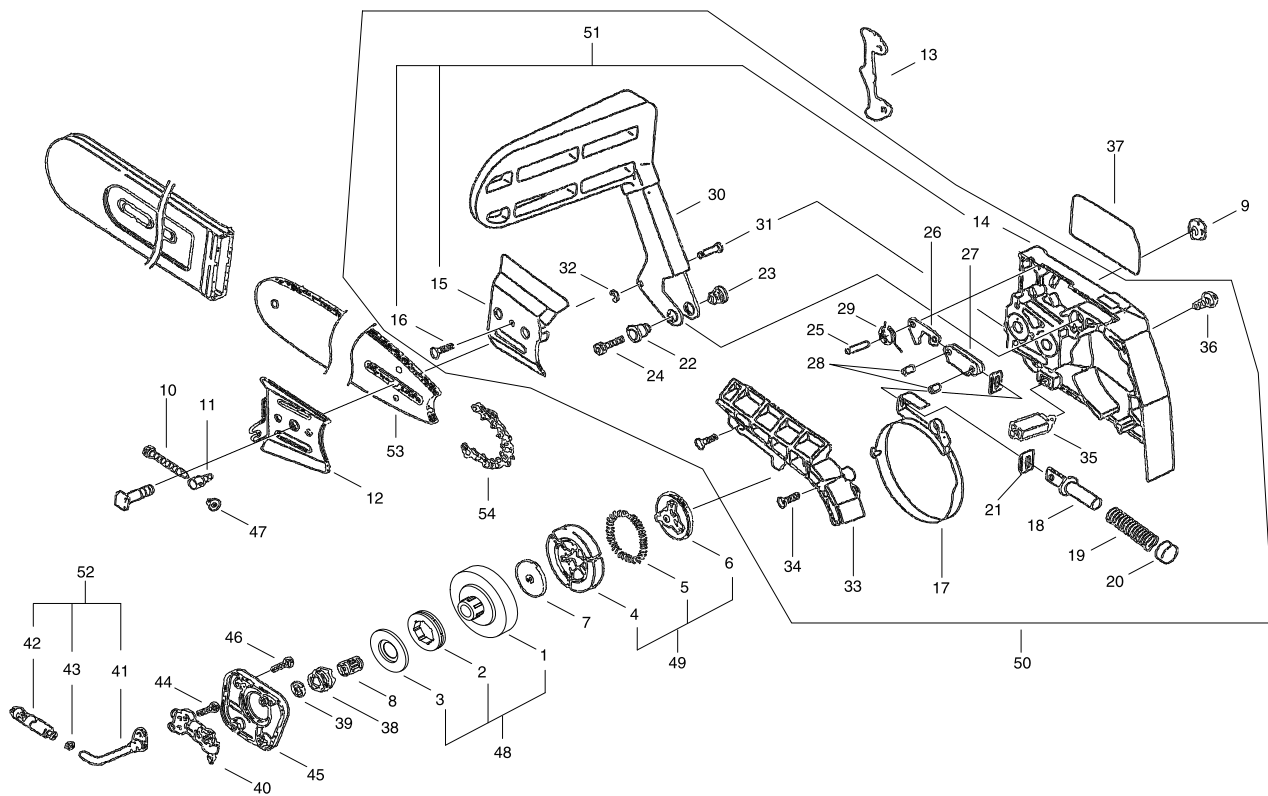


| KEY | LV | PART NUMBER | Q'TY | DESCRIPTION          | REMARKS |
|-----|----|-------------|------|----------------------|---------|
| 48  |    | A055-000030 | 1    | CLUTCH DRUM ASSY     |         |
| 1   | +  | A556-001020 | 1    | CLUTCH DRUM          |         |
| 2   | +  | A560-000010 | 1    | RIM                  |         |
| 3   | +  | V311-000100 | 1    | COVER                |         |
| 49  |    | A056-000550 | 1    | CLUTCH ASSY          |         |
| 4   | +  | A555-000160 | 3    | CLUTCH SHOE          |         |
| 5   | +  | V451-000890 | 1    | CLUTCH SPRING        |         |
| 6   | +  | A552-000150 | 1    | CLUTCH BOSS B        |         |
| 7   |    | A552-000160 | 1    | CLUTCH BOSS A        |         |
| 8   |    | V555-000110 | 1    | BEARING,NEEDLE 10    |         |
| 9   |    | V265-000230 | 2    | NUT                  |         |
| 10  |    | V253-000590 | 1    | SLIDE SCREW          |         |
| 11  |    | C309-000110 | 1    | TENSIONER,CHAIN      |         |
| 12  |    | C305-000170 | 1    | GUIDE PLATE A        |         |
| 13  |    | C304-000090 | 1    | SPIKE                |         |
| 50  |    | C032-000460 | 1    | BRAKE ASY, CHAIN     |         |
| 51  | +  | P021-032160 | 1    | CLUTCH COVER SUBASSY |         |
| 14  | ++ | C300-000570 | 1    | CLUTCH COVER         |         |
| 15  | ++ | C305-000130 | 1    | GUIDE PLATE B        |         |
| 16  | ++ | 91374-04008 | 1    | SCREW TAPPING        |         |
| 17  | +  | C328-000230 | 1    | BRAKE BAND           |         |
| 18  | +  | C334-000130 | 1    | HOLDER SPRING        |         |
| 19  | +  | V450-001110 | 1    | BRAKE SPRING         |         |
| 20  | +  | V456-000170 | 1    | STOPPER              |         |

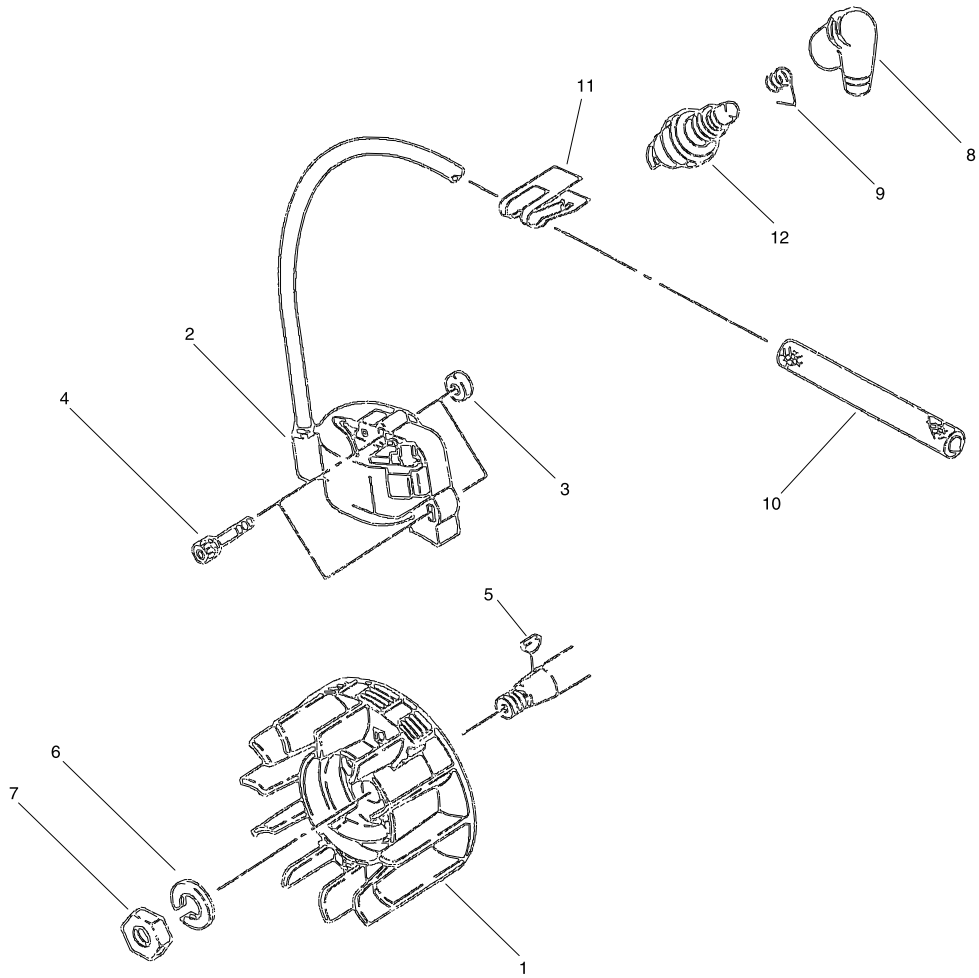


| KEY | LV | PART NUMBER  | Q'TY | DESCRIPTION     | REMARKS |
|-----|----|--------------|------|-----------------|---------|
| 21  | +  | C329-000020  | 2    | ADJUST PLATE    |         |
| 22  | +  | V352-000170  | 1    | HOLDER          |         |
| 23  | +  | V262-000120  | 1    | NUT LEVER       |         |
| 24  | +  | 900105-04012 | 1    | BOLT, H.S. 4*12 |         |
| 25  | +  | V622-000050  | 1    | ROLLER          |         |
| 26  | +  | C334-000140  | 1    | INNER LEVER     |         |
| 27  | +  | C334-000150  | 1    | TIE STRAP       |         |
| 28  | +  | V622-000040  | 2    | ROLLER          |         |
| 29  | +  | V452-000900  | 1    | SPRING LEVER    |         |
| 30  | +  | C320-000260  | 1    | LEVER           |         |
| 31  | +  | V641-000170  | 1    | PIN LEVER       |         |
| 32  | +  | 92403-03000  | 1    | SNAP RING       |         |
| 33  | +  | C345-000370  | 1    | COVER           |         |
| 34  | +  | 91374-04012  | 2    | SCREW TAPPING   |         |
| 35  | +  | C310-000040  | 1    | CHAIN CATCHER   |         |
| 36  | +  | 91439-03010  | 1    | SCREW TRUSS T   |         |
| 37  |    | X504-003610  | 1    | LABEL TRADE     |         |
| 38  |    | V652-000170  | 1    | GEAR            |         |
| 39  |    | V307-000330  | 1    | THRUST PLATE    |         |
| 40  |    | C022-000120  | 1    | OILER,ASM AUTO  |         |
| 52  |    | C021-000000  | 1    | OIL PIPE ASSY   |         |
| 41  | +  | V470-001280  | 1    | OIL PIPE        |         |
| 42  | +  | C209-000050  | 1    | OIL FILTER      |         |
| 43  | +  | V490-000720  | 1    | CLIP OIL        |         |

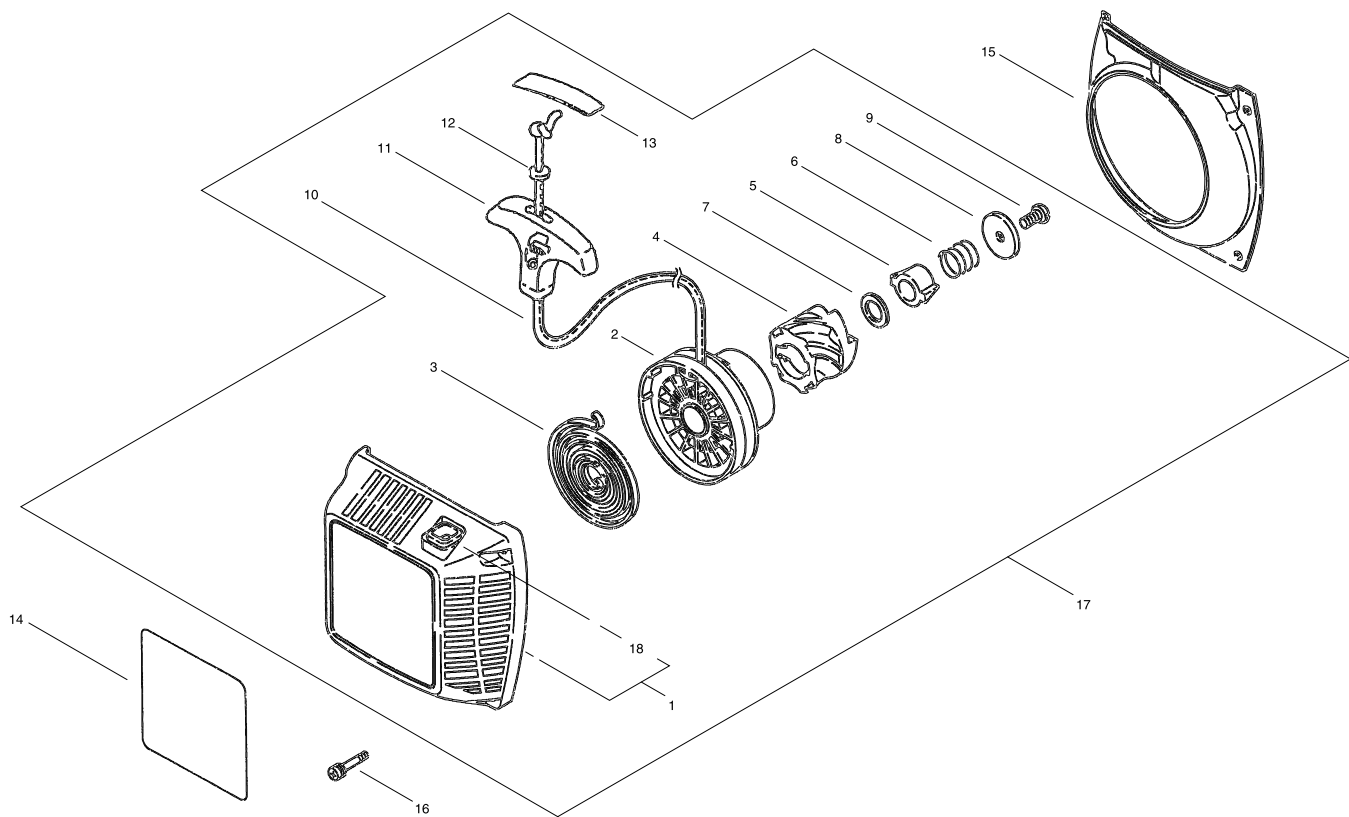




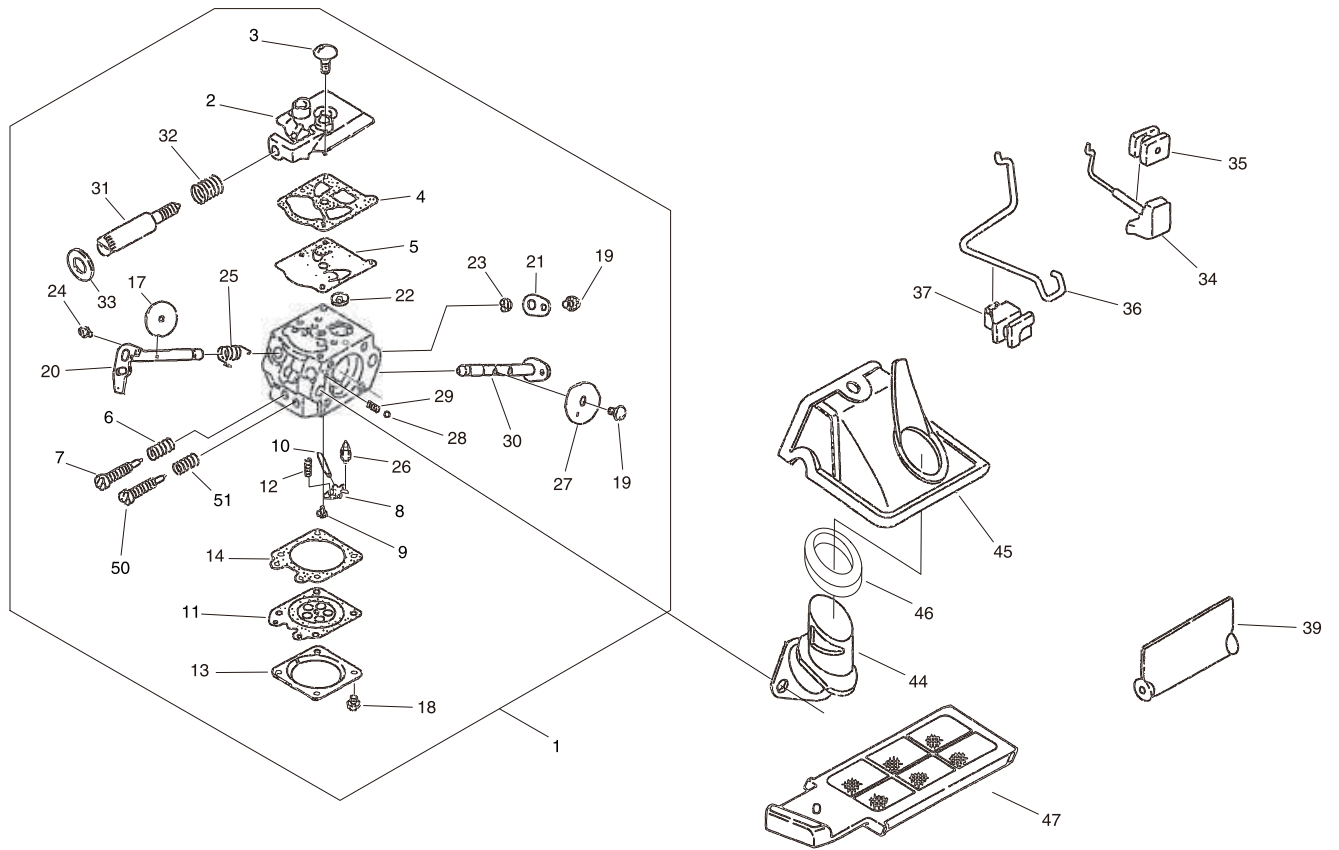
| KEY | LV | PART NUMBER | Q'TY | DESCRIPTION  | REMARKS |
|-----|----|-------------|------|--------------|---------|
| 44  |    | 91573-04012 | 2    | SCREW PM     |         |
| 45  |    | C236-000020 | 1    | PUMP COVER   |         |
| 46  |    | V252-000890 | 4    | SCREW,4      |         |
| 47  |    | V260-000020 | 1    | PUSH NUT     |         |
| 53  |    | X124-000460 | 1    | BAR,GUIDE 40 |         |
| 54  |    | X244-000040 | 1    | CHAIN,SAW    |         |



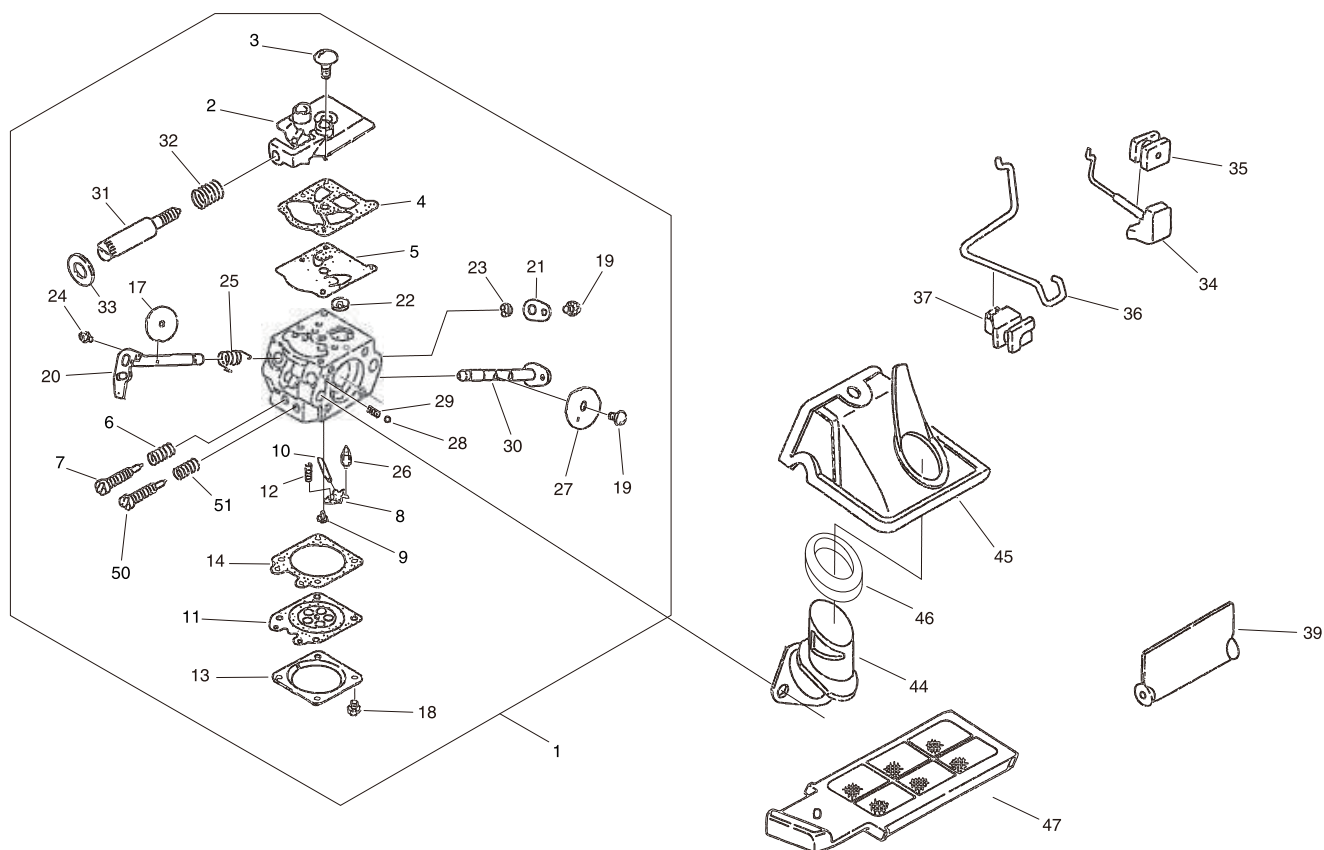
| KEY | LV | PART NUMBER  | Q'TY | DESCRIPTION           | REMARKS |
|-----|----|--------------|------|-----------------------|---------|
| 1   |    | A409-000760  | 1    | ROTOR                 |         |
| 2   |    | A411-000910  | 1    | COIL                  |         |
| 3   |    | V375-000360  | 2    | INSULATOR             |         |
| 4   |    | V202-000420  | 2    | BOLT ADHESIVE         |         |
| 5   |    | 93115-03010  | 1    | KEY                   |         |
| 6   |    | 900605-00008 | 1    | WASHER, SPRING 8      |         |
| 7   |    | V265-000180  | 1    | NUT                   |         |
| 8   |    | A427-000060  | 1    | CAP, SPARK PLUG       |         |
| 9   |    | A426-000040  | 1    | TERMINAL, SPARK PLUG  |         |
| 10  |    | V475-005180  | 1    | TUBE                  |         |
| 11  |    | V490-000700  | 1    | CLIP                  |         |
| 12  |    | 159010-10230 | 1    | PLUG, SPARK (BPMR-7A) |         |



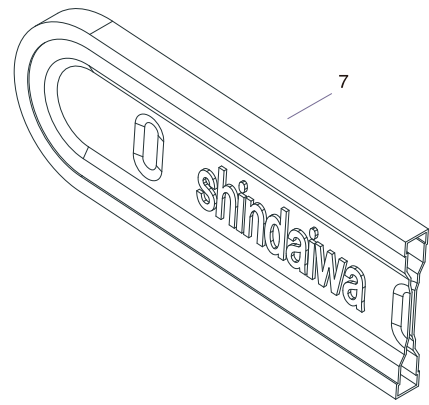
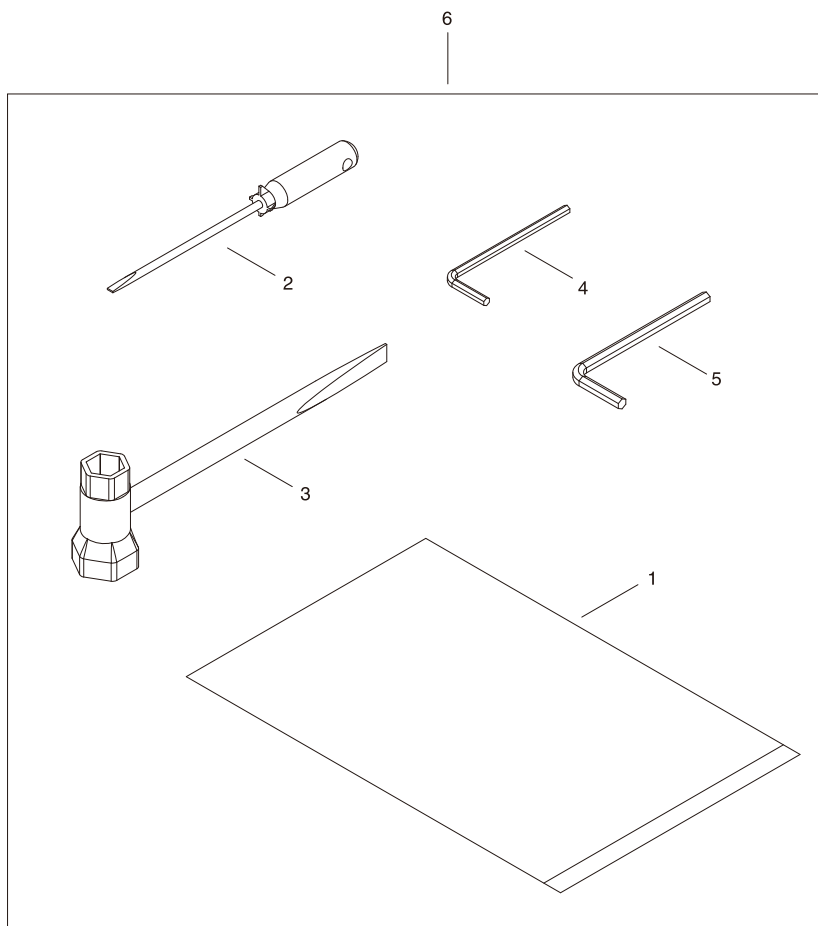
| KEY | LV | PART NUMBER | Q'TY | DESCRIPTION     | REMARKS |
|-----|----|-------------|------|-----------------|---------|
| 17  |    | A051-001940 | 1    | RECOIL STARETR  |         |
| 1   | +  | P022-024950 | 1    | RECOIL CASE     |         |
| 18  | ++ | A510-000130 | 1    | GUIDE ROPE      |         |
| 2   | +  | A506-000350 | 1    | REËL            |         |
| 3   | +  | A504-000170 | 1    | RECOIL SPRING   |         |
| 4   | +  | A507-000040 | 1    | RATCHET         |         |
| 5   | +  | A515-000000 | 1    | GUIDE           |         |
| 6   | +  | V452-000750 | 1    | FRICTION SPRING |         |
| 7   | +  | V327-000020 | 1    | THRUST WASHER   |         |
| 8   | +  | V304-000260 | 1    | WASHER          |         |
| 9   | +  | V253-000560 | 1    | SCREW           |         |
| 10  | +  | A509-000330 | 1    | ROPE            |         |
| 11  | +  | A511-000220 | 1    | KNOB RECOIL     |         |
| 12  | +  | E184-000010 | 1    | STOPPER KNOB    |         |
| 13  | +  | X707-000050 | 1    | TAPE            |         |
| 14  |    | X504-003620 | 1    | LABEL TRADE     |         |
| 15  |    | A172-001390 | 1    | AIR PLATE       |         |
| 16  |    | V202-000410 | 4    | BOLT ADHESIVE   |         |



| KEY | LV | PART NUMBER  | Q'TY | DESCRIPTION          | REMARKS |
|-----|----|--------------|------|----------------------|---------|
| 1   |    | A021-002870  | 1    | ASM,CARBURETOR       |         |
| 2   | +  | P003-001380  | 1    | COVER, FUEL PUMP     |         |
| 3   | +  | 22100-81130  | 1    | SCREW                |         |
| 4   | +  | 123125-15030 | 1    | GASKET, FUEL PUMP    |         |
| 5   | +  | 123112-15030 | 1    | DIAPHRAGM, FUEL PUMP |         |
| 6   | +  | 123121-22130 | 1    | SPRING, NEEDLE       |         |
| 7   | +  | P003-003050  | 1    | L NEEDLE             |         |
| 8   | +  | 123123-03930 | 1    | LEVER, METERING      |         |
| 9   | +  | 123139-03930 | 1    | SCREW, M. LEVER PIN  |         |
| 10  | +  | 123138-03930 | 1    | PIN, METERING LEVER  |         |
| 11  | +  | 123141-03930 | 1    | DIAPHRAGM, METERING  |         |
| 12  | +  | 123122-06530 | 1    | SPRING, METER. LEVER |         |
| 13  | +  | 123142-03930 | 1    | COVER, M. DIAPHRAGM  |         |
| 14  | +  | 123140-03930 | 1    | GASKET, M. DIAPHRAGM |         |
| 17  | +  | 123116-10130 | 1    | VALVE, THROTTLE      |         |
| 18  | +  | 123130-02960 | 4    | SCREW                |         |
| 19  | +  | 123114-03930 | 2    | SCREW                |         |
| 20  | +  | P003-003060  | 1    | SHAFT ASSY           |         |
| 21  | +  | P003-003020  | 1    | LEVER                |         |
| 22  | +  | K331-000030  | 1    | SCREEN               |         |
| 23  | +  | 123127-15030 | 1    | RING                 |         |
| 24  | +  | 123154-10630 | 1    | SCREW                |         |
| 25  | +  | 123113-03930 | 1    | SPRING, THRT. RETURN |         |
| 26  | +  | 123137-19830 | 1    | VALVE, INLET NEEDLE  |         |



| KEY | LV | PART NUMBER  | Q'TY | DESCRIPTION          | REMARKS |
|-----|----|--------------|------|----------------------|---------|
| 27  | +  | 123132-37330 | 1    | VALVE, CHOKE         |         |
| 28  | +  | 123136-10630 | 1    | BALL, CHOKE FRICTION |         |
| 29  | +  | 123135-10630 | 1    | SPRING, CHOKE FRICT. |         |
| 30  | +  | P003-003070  | 1    | SHAFT ASSY           |         |
| 31  | +  | P003-003030  | 1    | IDLE SCREW           |         |
| 32  | +  | 123133-04260 | 1    | SPRING, IDLE ADJUST  |         |
| 50  | +  | P003-001350  | 1    | NEEDLE POWER         |         |
| 51  | +  | 123119-22130 | 1    | SPRING, NEEDLE       |         |
| 33  |    | V540-000290  | 1    | SEAL COLLAR          |         |
| 34  |    | A240-000070  | 1    | CHOKE ROD            |         |
| 35  |    | V130-000060  | 1    | GROMMET CHOKE        |         |
| 36  |    | C454-000270  | 1    | THROTTLE ROD         |         |
| 37  |    | V133-000000  | 1    | GROMMET ROD          |         |
| 39  |    | A219-000010  | 1    | SHUTTER              |         |
| 44  |    | A204-000090  | 1    | ELBOW                |         |
| 45  |    | A226-000870  | 1    | ÉLÉMENT, AIR FILTER  |         |
| 46  |    | V581-000270  | 1    | RING GASKET          |         |
| 47  |    | A226-000780  | 1    | AIR CLEANER          |         |



| KEY | LV | PART NUMBER | Q'TY | DESCRIPTION     | REMARKS |
|-----|----|-------------|------|-----------------|---------|
| 6   |    | P021-031990 | 1    | TOOL SET        |         |
| 1   | +  | X705-000130 | 1    | POLY BAG        |         |
| 2   | +  | X603-000030 | 1    | DRIVER          |         |
| 3   | +  | X602-000170 | 1    | PLUG WRENCH     |         |
| 4   | +  | X605-000090 | 1    | HEXA WRENCH 4MM |         |
| 5   | +  | X605-000100 | 1    | TOOL, L WRENCH  |         |
| 7   |    | X490-000300 | 1    | CHAIN COVER     |         |

**Index**

| <b>Parts Number</b> | <b>Key No.</b> | <b>Parts Number</b> | <b>Key No.</b> | <b>Parts Number</b> | <b>Key No.</b> |
|---------------------|----------------|---------------------|----------------|---------------------|----------------|
| 123112-15030        | 8 - 5          | A160-001920         | 3 - 1          | C334-000130         | 5 - 18         |
| 123113-03930        | 8 - 25         | A172-001390         | 7 - 15         | C334-000140         | 5 - 26         |
| 123114-03930        | 8 - 19         | A200-000780         | 1 - 6          | C334-000150         | 5 - 27         |
| 123116-10130        | 8 - 17         | A202-000110         | 1 - 4          | C345-000370         | 5 - 33         |
| 123119-22130        | 8 - 51         | A204-000090         | 8 - 44         | C412-000560         | 3 - 11         |
| 123121-22130        | 8 - 6          | A219-000010         | 8 - 39         | C450-000600         | 3 - 13         |
| 123122-06530        | 8 - 12         | A226-000780         | 8 - 47         | C454-000270         | 8 - 36         |
| 123123-03930        | 8 - 8          | A226-000870         | 8 - 45         | C460-000270         | 3 - 14         |
| 123125-15030        | 8 - 4          | A232-001000         | 3 - 3          | C561-000050         | 3 - 12         |
| 123127-15030        | 8 - 23         | A235-000280         | 3 - 4          | E184-000010         | 7 - 12         |
| 123130-02960        | 8 - 18         | A240-000070         | 8 - 34         | K331-000030         | 8 - 22         |
| 123132-37330        | 8 - 27         | A310-000290         | 1 - 13         | P003-001350         | 8 - 50         |
| 123133-04260        | 8 - 32         | A313-001490         | 1 - 14         | P003-001380         | 8 - 2          |
| 123135-10630        | 8 - 29         | A356-000110         | 3 - 37         | P003-003020         | 8 - 21         |
| 123136-10630        | 8 - 28         | A356-000120         | 3 - 24         | P003-003030         | 8 - 31         |
| 123137-19830        | 8 - 26         | A356-000130         | 2 - 2          | P003-003050         | 8 - 7          |
| 123138-03930        | 8 - 10         | A409-000760         | 6 - 1          | P003-003060         | 8 - 20         |
| 123139-03930        | 8 - 9          | A411-000910         | 6 - 2          | P003-003070         | 8 - 30         |
| 123140-03930        | 8 - 14         | A426-000040         | 6 - 9          | P021-022190         | 2 - 19         |
| 123141-03930        | 8 - 11         | A427-000060         | 6 - 8          | P021-022200         | 2 - 20         |
| 123142-03930        | 8 - 13         | A504-000170         | 7 - 3          | P021-031990         | 9 - 6          |
| 123154-10630        | 8 - 24         | A506-000350         | 7 - 2          | P021-032160         | 5 - 51         |
| 131205-19831        | 3 - 39         | A507-000040         | 7 - 4          | P021-034280         | 3 - 22         |
| 159010-10230        | 6 - 12         | A509-000330         | 7 - 10         | P021-034760         | 3 - 35         |
| 22100-81130         | 8 - 3          | A510-000130         | 7 - 18         | P021-035480         | 3 - 36         |
| 890345-39230        | 3 - 40         | A511-000220         | 7 - 11         | P022-024950         | 7 - 1          |
| 900105-04012        | 5 - 24         | A515-000000         | 7 - 5          | V100-000500         | 1 - 2          |
| 900600-00005        | 1 - 11         | A552-000150         | 5 - 6          | V102-000120         | 2 - 21         |
| 900605-00008        | 6 - 6          | A552-000160         | 5 - 7          | V104-001560         | 1 - 16         |
| 91374-04008         | 5 - 16         | A555-000160         | 5 - 4          | V106-000080         | 2 - 6          |
| 91374-04012         | 5 - 34         | A556-001020         | 5 - 1          | V106-000080         | 3 - 23         |
| 91439-03010         | 5 - 36         | A560-000010         | 5 - 2          | V130-000060         | 8 - 35         |
| 91573-04012         | 5 - 44         | C020-000020         | 2 - 5          | V131-000050         | 3 - 2          |
| 91578-04006         | 1 - 15         | C021-000000         | 5 - 52         | V133-000000         | 8 - 37         |
| 92403-03000         | 5 - 32         | C022-000120         | 5 - 40         | V136-000110         | 2 - 18         |
| 93060-40250         | 3 - 16         | C032-000460         | 5 - 50         | V186-000280         | 3 - 26         |
| 93115-03010         | 6 - 5          | C040-000460         | 3 - 7          | V202-000390         | 1 - 7          |
| A011-000970         | 4 - 7          | C041-000240         | 3 - 10         | V202-000410         | 7 - 16         |
| A021-002870         | 8 - 1          | C209-000050         | 5 - 42         | V202-000420         | 6 - 4          |
| A030-000380         | 1 - 12         | C236-000020         | 5 - 45         | V202-000470         | 3 - 6          |
| A045-000450         | 2 - 15         | C300-000570         | 5 - 14         | V202-000520         | 1 - 9          |
| A051-001940         | 7 - 17         | C304-000090         | 5 - 13         | V203-000370         | 2 - 12         |
| A055-000030         | 5 - 48         | C305-000130         | 5 - 15         | V203-000720         | 1 - 17         |
| A056-000550         | 5 - 49         | C305-000170         | 5 - 12         | V203-001200         | 1 - 3          |
| A100-000800         | 4 - 1          | C309-000110         | 5 - 11         | V203-001210         | 1 - 10         |
| A101-000470         | 4 - 2          | C310-000040         | 5 - 35         | V203-001230         | 2 - 13         |
| A120-000500         | 2 - 1          | C320-000260         | 5 - 30         | V203-001240         | 2 - 14         |
| A120-000910         | 2 - 7          | C328-000230         | 5 - 17         | V203-001250         | 3 - 21         |
| A130-001470         | 1 - 1          | C329-000020         | 5 - 21         | V203-001360         | 3 - 9          |

**Index**

| <b>Parts Number</b> | <b>Key No.</b> | <b>Parts Number</b> | <b>Key No.</b> | <b>Parts Number</b> | <b>Key No.</b> |
|---------------------|----------------|---------------------|----------------|---------------------|----------------|
| V203-001370         | 3 - 8          | V622-000050         | 5 - 25         |                     |                |
| V203-001380         | 3 - 20         | V641-000170         | 5 - 31         |                     |                |
| V203-001420         | 1 - 18         | V652-000170         | 5 - 38         |                     |                |
| V225-000130         | 2 - 8          | X124-000460         | 5 - 53         |                     |                |
| V252-000890         | 5 - 46         | X244-000040         | 5 - 54         |                     |                |
| V253-000560         | 7 - 9          | X490-000300         | 9 - 7          |                     |                |
| V253-000590         | 5 - 10         | X504-003610         | 5 - 37         |                     |                |
| V260-000020         | 5 - 47         | X504-003620         | 7 - 14         |                     |                |
| V262-000120         | 5 - 23         | X510-000510         | 2 - 23         |                     |                |
| V265-000180         | 6 - 7          | X602-000170         | 9 - 3          |                     |                |
| V265-000230         | 5 - 9          | X603-000030         | 9 - 2          |                     |                |
| V266-000090         | 2 - 22         | X605-000090         | 9 - 4          |                     |                |
| V304-000260         | 7 - 8          | X605-000100         | 9 - 5          |                     |                |
| V307-000260         | 4 - 6          | X705-000130         | 9 - 1          |                     |                |
| V307-000330         | 5 - 39         | X707-000050         | 7 - 13         |                     |                |
| V311-000100         | 5 - 3          |                     |                |                     |                |
| V327-000020         | 7 - 7          |                     |                |                     |                |
| V352-000170         | 5 - 22         |                     |                |                     |                |
| V359-000200         | 1 - 5          |                     |                |                     |                |
| V375-000360         | 6 - 3          |                     |                |                     |                |
| V401-000240         | 3 - 17         |                     |                |                     |                |
| V420-002660         | 3 - 18         |                     |                |                     |                |
| V421-000010         | 3 - 19         |                     |                |                     |                |
| V450-001110         | 5 - 19         |                     |                |                     |                |
| V451-000890         | 5 - 5          |                     |                |                     |                |
| V452-000720         | 3 - 15         |                     |                |                     |                |
| V452-000750         | 7 - 6          |                     |                |                     |                |
| V452-000900         | 5 - 29         |                     |                |                     |                |
| V456-000170         | 5 - 20         |                     |                |                     |                |
| V470-001240         | 3 - 25         |                     |                |                     |                |
| V470-001250         | 3 - 38         |                     |                |                     |                |
| V470-001260         | 3 - 27         |                     |                |                     |                |
| V470-001280         | 5 - 41         |                     |                |                     |                |
| V475-005180         | 6 - 10         |                     |                |                     |                |
| V490-000500         | 3 - 34         |                     |                |                     |                |
| V490-000700         | 6 - 11         |                     |                |                     |                |
| V490-000720         | 5 - 43         |                     |                |                     |                |
| V505-000140         | 2 - 4          |                     |                |                     |                |
| V505-000140         | 2 - 11         |                     |                |                     |                |
| V540-000290         | 8 - 33         |                     |                |                     |                |
| V555-000090         | 4 - 5          |                     |                |                     |                |
| V555-000110         | 5 - 8          |                     |                |                     |                |
| V580-000110         | 4 - 4          |                     |                |                     |                |
| V581-000270         | 8 - 46         |                     |                |                     |                |
| V592-000310         | 2 - 3          |                     |                |                     |                |
| V592-000330         | 2 - 10         |                     |                |                     |                |
| V608-000020         | 4 - 3          |                     |                |                     |                |
| V622-000040         | 2 - 9          |                     |                |                     |                |
| V622-000040         | 5 - 28         |                     |                |                     |                |



# YAMABIKO CORPORATION

7-2 SUEHIROCHO 1-CHOME, OHME, TOKYO 198-8760, JAPAN  
PHONE: 81-428-32-6118. FAX: 81-428-32-6145.

**shindaiwa<sup>®</sup>**