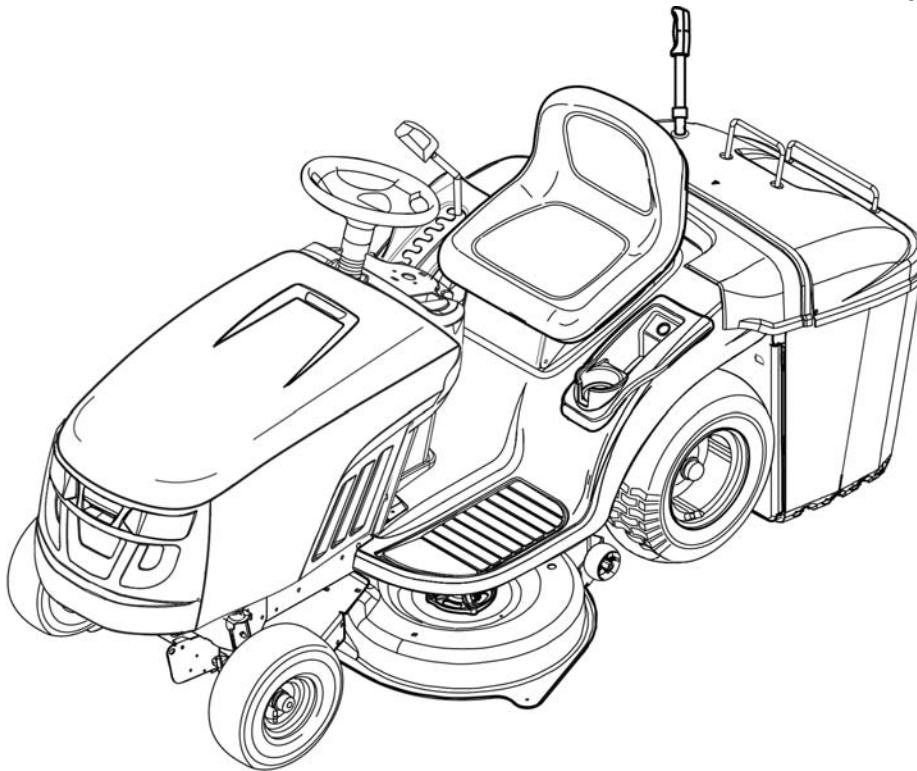


Parts Manual for
SNAPPER®

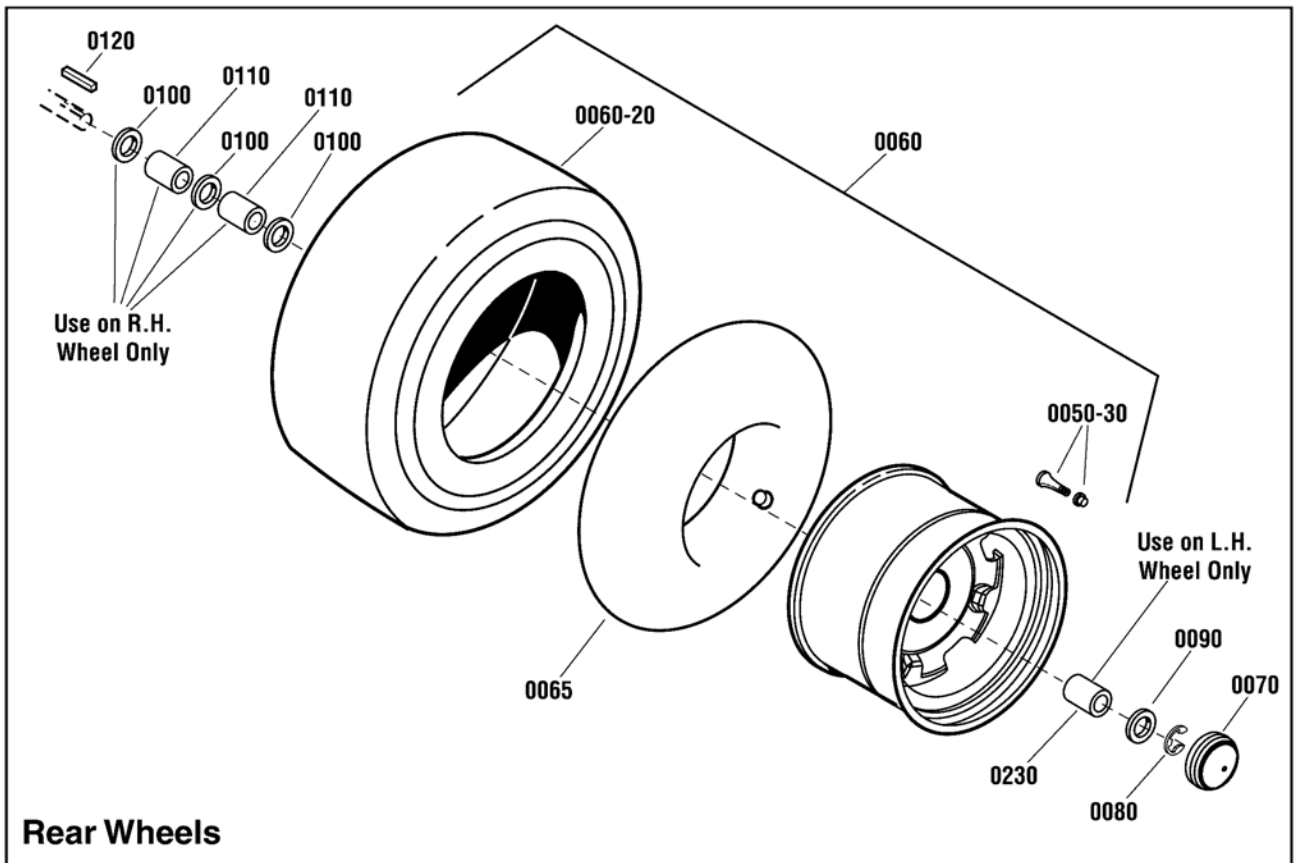
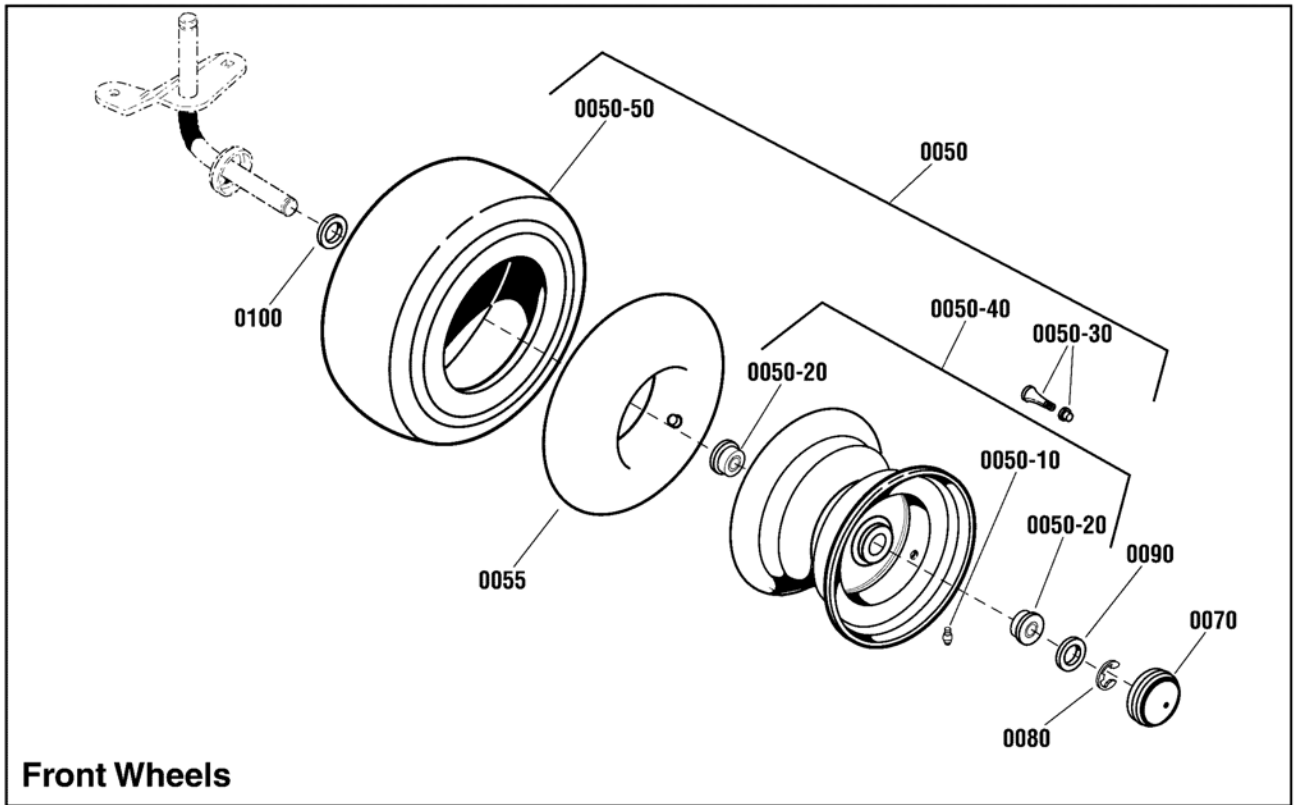
**96cm & 107cm EUROPEAN
HYDRO DRIVE TRACTOR
RPX SERIES**

<i>Model No.</i>	<i>Description</i>
2691290-00	RPX100
2691291-00	RPX200
2691292-00	RPX300



PAGE	GROUP
4	Wheel & Tire Group
6	Wheel & Tire Group - 22"
8	Hood, Grille & Dash Group - Incandescent Lights
10	Hood, Grille & Dash Group - LED Lights
12	Seat Deck & Fuel Tank Group
14	Steering Group
16	Frame Group
20	Front Axle Group
22	Controls Group
24	Engine Group
26	Engine Group
28	Transmission Group - Hydro Gear 324-0610
30	Transmission SERVICE PARTS - Hydro Gear 324-0610
36	Lift Group
38	96cm Mower Deck - Housing, Arbors & Blades Group
40	96cm Mower Deck - Clutch Group
42	96cm Mower Deck - Support Group
44	107cm Mower Deck - Housing, Arbors & Blades Group
48	107cm Mower Deck - Support Group
50	Backplate Group
52	Collector Group
54	Bystander Guard Group
56	Mulch Plug Group
58	Decal Group
60	Electrical Group

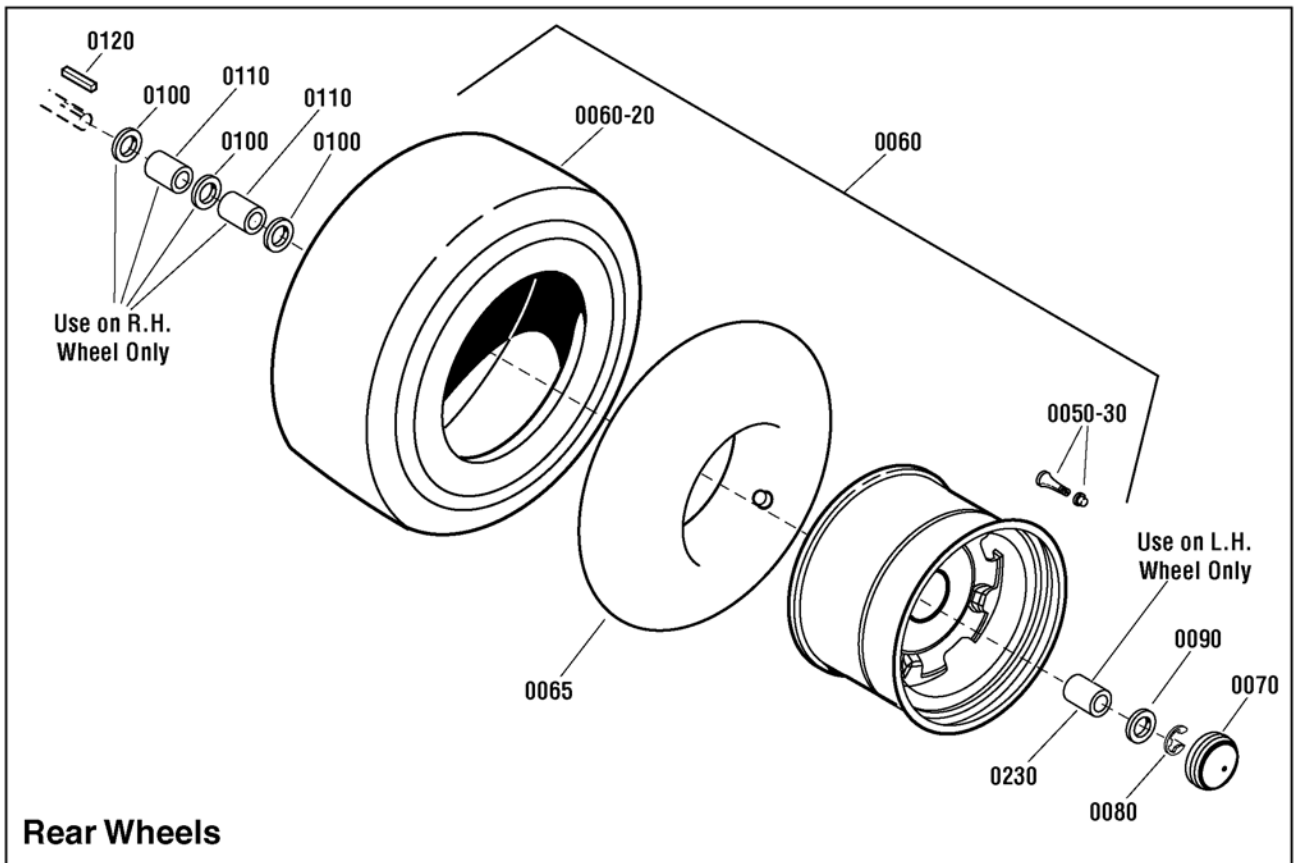
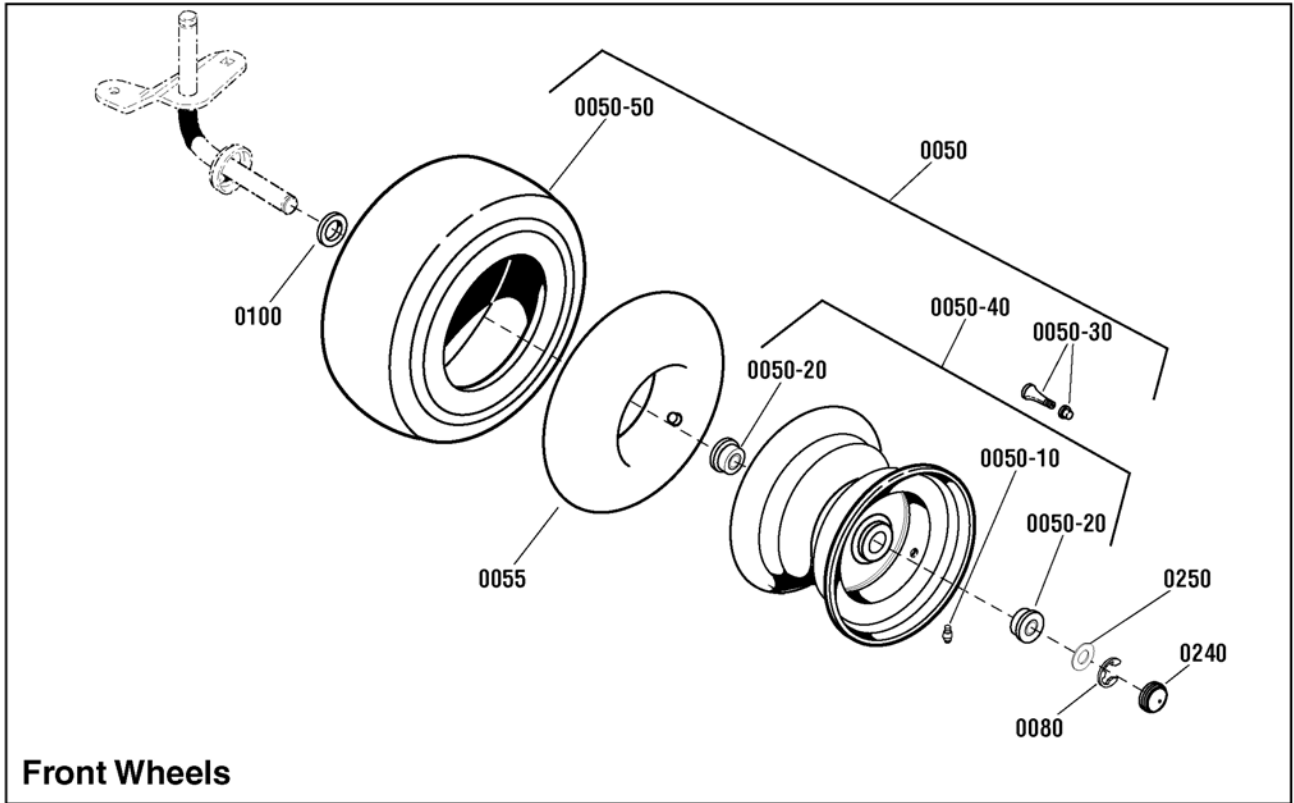
Wheel & Tire Group



Item	Part No	Qty	Description
0050	1729708SM	2	WHEEL& TIRE ASSEMBLY, Front (Includes Ref. Nos. 0050-10, 0050-20, 0050-30, 0050-40 & 0050-50)
0050-10	2812808SM	2	FITTING, Lube
0050-20	1713167SM	2	BEARING, 3/4
0050-30	2172353SM	4	VALVE STEM & CAP
0050-40	1726301SM	2	WHEEL & BUSHINGS ASSEMBLY, Front (Includes Ref. Nos. 0050-10 & 0050-30)
0050-50	1731951SM	2	TIRE, Kenda, Turf Rider, Front, 15 x 6.00 - 6
0055	1664090SM	2	TUBE, Tire, Front
0060	885457YP	2	WHEEL & TIRE ASSEMBLY, Rear, 20 X 8-8 (Includes Ref. Nos. 0050-30 & 0060-20)
0060-20	-----	2	TIRE, Rear, K358 x 20 x 8.94-8 (Not a serviceable part, order Ref. 0060)
0065	2164247SM	2	TUBE, Tire, Rear
0070	094618MA	4	HUB CAP
0080	0011X3MA	4	E-RING
0090	17X195MA	4	WASHER, Flat
0100	17X160MA	6	WASHER, Flat, 3/4 x 1-1/4
0110	1730181SM	2	SPACER, 3/4 ID x 1-1/4 OD x 1-5/8, RH (Use on R.H. Side Only)
0120	021553MA	2	KEY, Square, 3/16
0230	885578YP	1	SPACER, Wheel, LH (Use on L.H. Side Only)

Footnotes

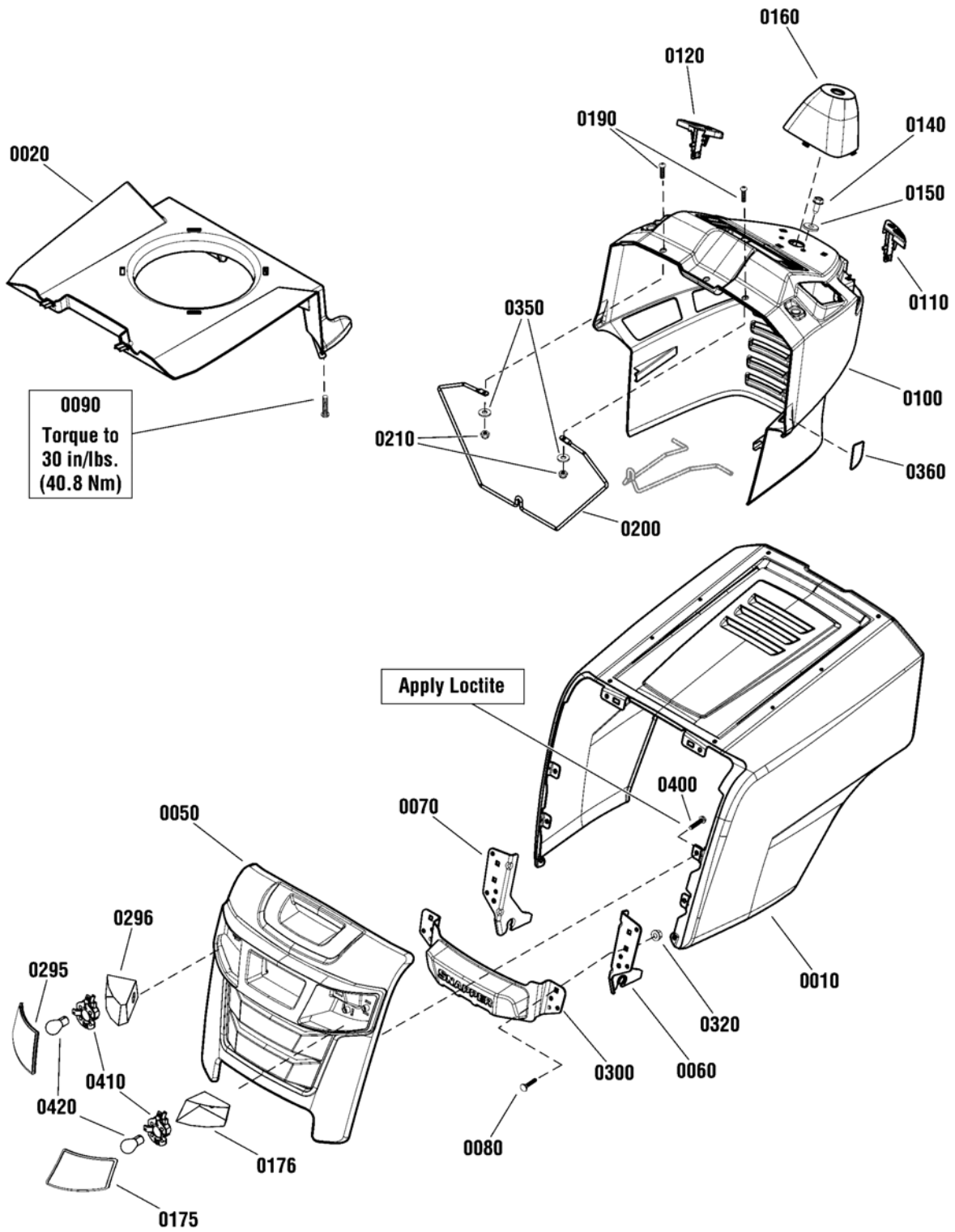
Wheel & Tire Group - 22"



Item	Part No	Qty	Description
0050	1729708SM	2	WHEEL& TIRE ASSEMBLY, Front (Includes Ref. Nos. 0050-10, 0050-20, 0050-30, 0050-40 & 0050-50)
0050-10	2812808SM	1	FITTING, Lube
0050-20	1713167SM	2	BEARING, 3/4
0050-30	2172353SM	4	VALVE STEM & CAP
0050-40	1726301SM	1	WHEEL & BUSHINGS ASSEMBLY, Front (Includes Ref. Nos. 0050-10 & 0050-30)
0050-50	1731951SM	1	TIRE, Kenda, Turf Rider, Front, 15 x 6.00 - 6
0055	1664090SM	2	TUBE, Tire, Front
0060	7101569YP	1	WHEEL & TIRE ASSEMBLY, Rear, 22 x 9.5-12 (Includes Ref. Nos. 0050-30 & 0060-20)
0060-20	-----	2	TIRE, Rear, K358 x 22 x 9.5-12 (Not a serviceable part, order Ref. 0060)
0065	2164247SM	2	TUBE, Tire, Rear
0070	1722676SM	2	HUBCAP, 2.35" ID
0080	0011X3MA	4	E-RING
0090	1722717SM	2	WASHER
0100	17X160MA	6	WASHER, Flat, 3/4 x 1-1/4
0110	1730181SM	2	SPACER, 3/4 ID x 1-1/4 OD x 1-5/8, RH (Use on R.H. Side Only)
0120	021553MA	2	KEY, Square, 3/16
0230	885578YP	1	SPACER, Wheel, LH (Use on L.H. Side Only)
0240	1722675SM	2	HUBCAP, 1.5" ID
0250	1960160SM	2	WASHER, 3/4

Footnotes

Hood, Grille & Dash Group - Incandescent Lights

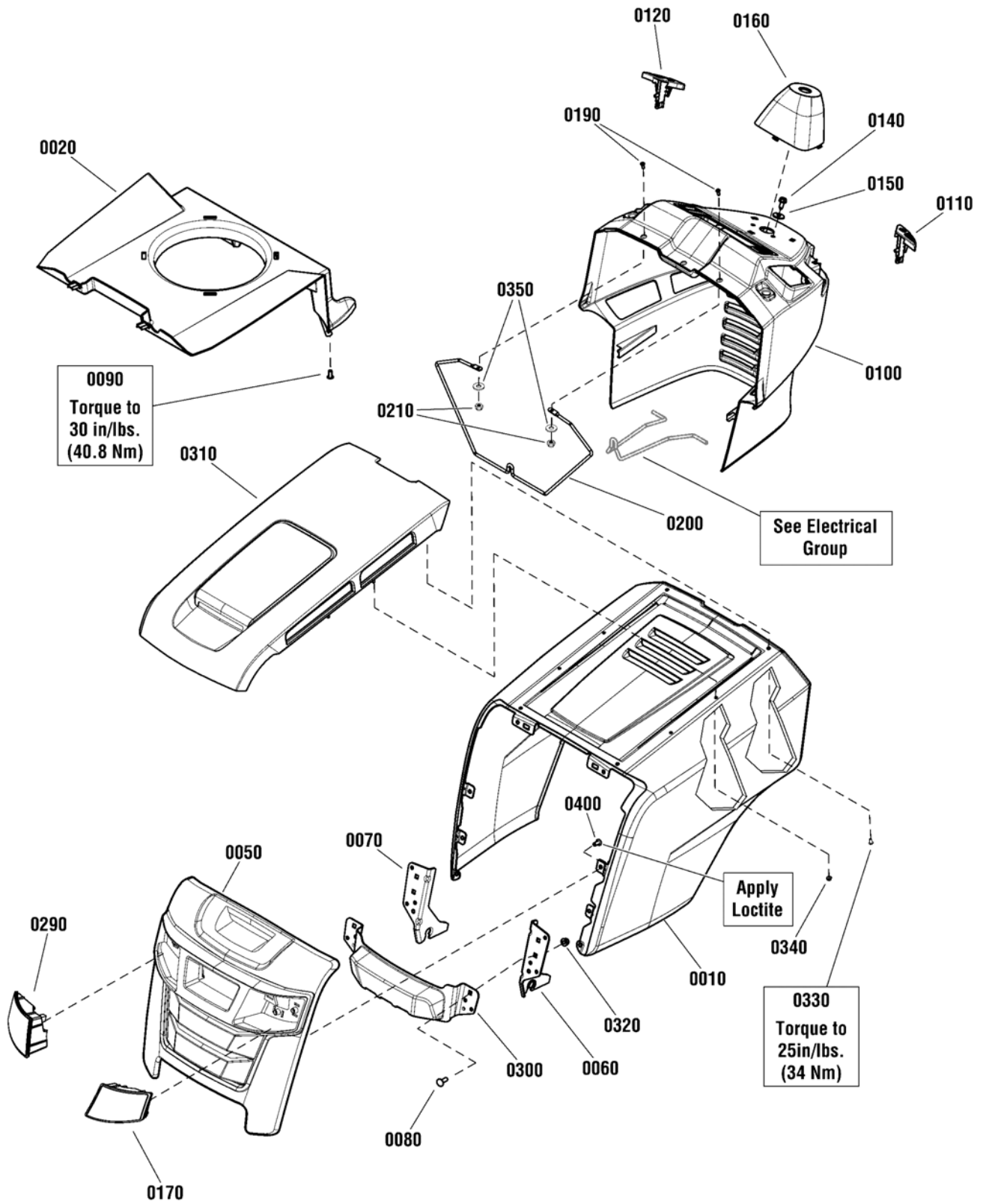


Hood, Grille & Dash Group - Incandescent Lights

Item	Part No	Qty	Description
0010	1753164DYP	1	HOOD, One Piece, Center Emboss
0020	1738734YP	1	AIR DUCT
0050	1757560YP	1	GRILLE, Front
0060	1738566AYP	1	HINGE, Hood, LH
0070	1738565AYP	1	HINGE, Hood, RH
0080	703483	2	BOLT, 5/16-18 X 1 Carriage, GR5, Zinc/Clear
0090	1739220YP	2	SCREW, 7mm x 16mm
0100	1753166YP	1	DASH, NXT, Black
0110	1738789YP	1	KNOB, Parking Brake
0120	1738788YP	1	KNOB, Cruise
0140	703228	2	SCREW, 5/16-18 X .750, Washer Head Taptite, Zinc/Clear
0150	703298	2	WASHER, 5/16 (.34 ID X 1" OD X .13 THK) GR5, Zinc/Clear
0160	1738790YP	1	COVER, Steering Shaft
0175	1757561YP	1	LENS, Headlight, LH
0176	1757563YP	1	INSERT, Headlight, LH
0190	1739942YP	2	SCREW, #10-24X.875 BLK, Pan HD Phillips
0200	1738964YP	1	ROD, Dash Support, 1/4 Dia. x 10"
0210	703412	2	NUT, #10-24, Hex Nylock, GRB, Zinc/Clear
0295	1757562YP	1	LENS, Headlight, RH
0296	1757564YP	1	INSERT, Headlight, RH
0300	1753169BMYP	1	BUMPER, Front
0320	703115	2	NUT, 5/16-18, Flange Nylock, GR F, Zinc/Clear
0350	703229	2	WASHER, .261 ID X .84 OD X .12. Flat ZC/CL
0410	1001716MA	2	SOCKET, Lamp
0420	1757565YP	2	BULB, Incandescent 12V, 21 Candle Power (1141)
--	1758731YP	2	Insulation (Not shown)

Footnotes

Hood, Grille & Dash Group - LED Lights

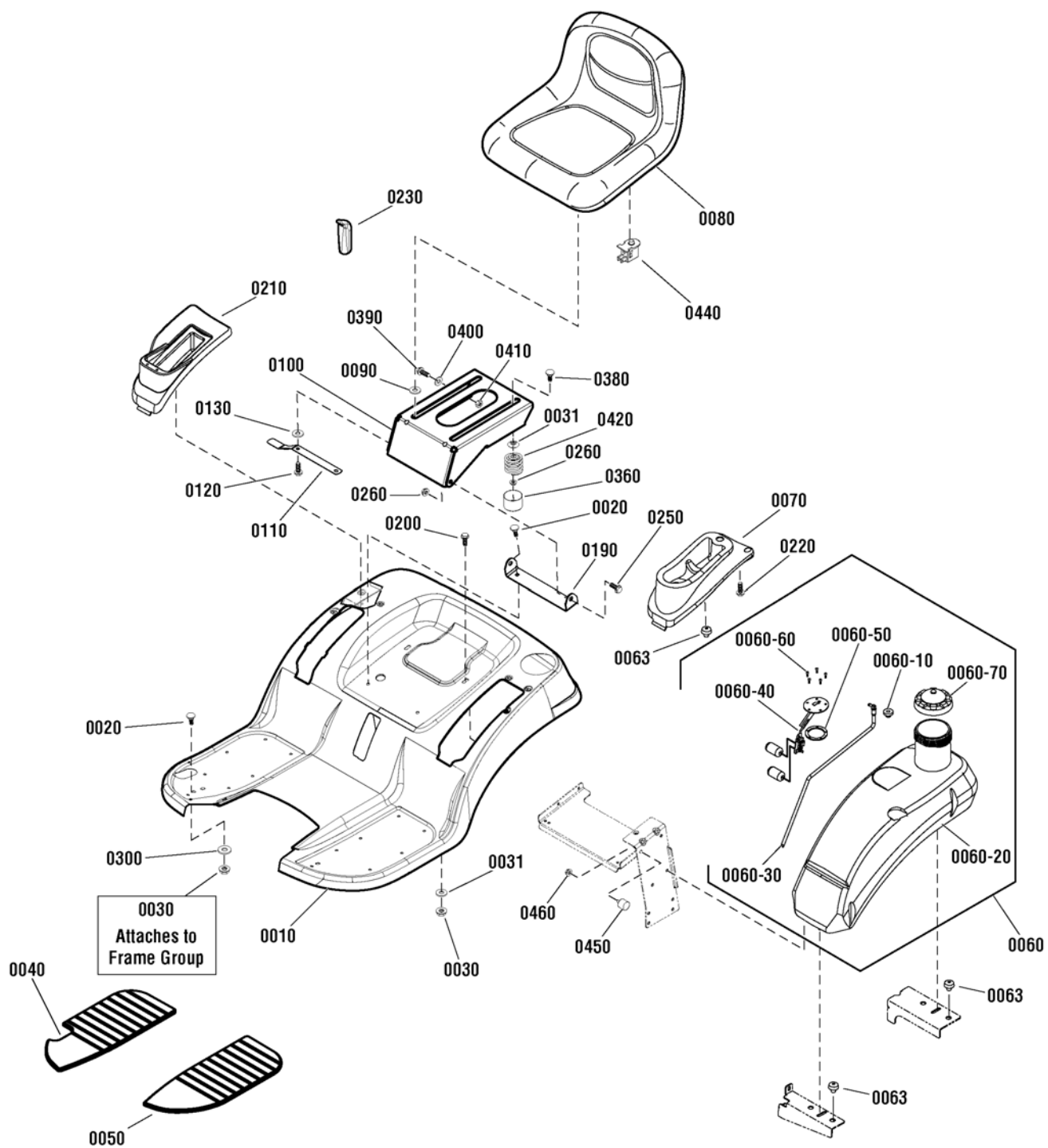


Hood, Grille & Dash Group - LED Lights

Item	Part No	Qty	Description
0010	1752930DYP	1	HOOD, One Piece, Center Emboss
0020	1738734YP	1	AIR DUCT
0050	1752929YP	1	GRILLE, Front
0060	1738566AYP	1	HINGE, Hood, LH
0070	1738565AYP	1	HINGE, Hood, RH
0080	7091714YP	2	BOLT, Carriage, 5/16 x 1, G5
0090	1739220YP	2	SCREW, 7mm x 16mm
0100	1753166YP	1	DASH, Nxt - Black
0110	1738789YP	1	KNOB, Parking Brake
0120	1738788YP	1	KNOB, Cruise
0140	1664847SM	2	SCREW, Hex Washer Head Taptite, 5/16-18 x 3/4
0150	1919381SM	2	WASHER, 5/16 x 1
0160	1738790YP	1	COVER, Steering Shaft
0170	1753167YP	1	HEADLIGHT, LED, LH
0190	1739942YP	2	SCREW, Pan Head Phillips, #10-24 x 7/8
0200	1738964YP	1	ROD, Dash Support, 1/4 Dia. x 10"
0210	1933896SM	2	NUT, Nylock, 10-24
0290	1753168YP	1	HEADLIGHT, LED, RH
0300	1753170BM	1	BUMPER, Front
0310	1752925YP	1	TRIM, Hood
0320	1960686SM	2	NUT, Hex Flange, 5/16-18, ESNA
0330	1739329YP	4	SCREW
0340	189164GS	4	PALNUT, 3/16
0350	1960353SM	2	WASHER, 1/4 x 27/32 OD
0400	1754203YP	8	SCREW, 7mm Dia. x 16mm

Footnotes

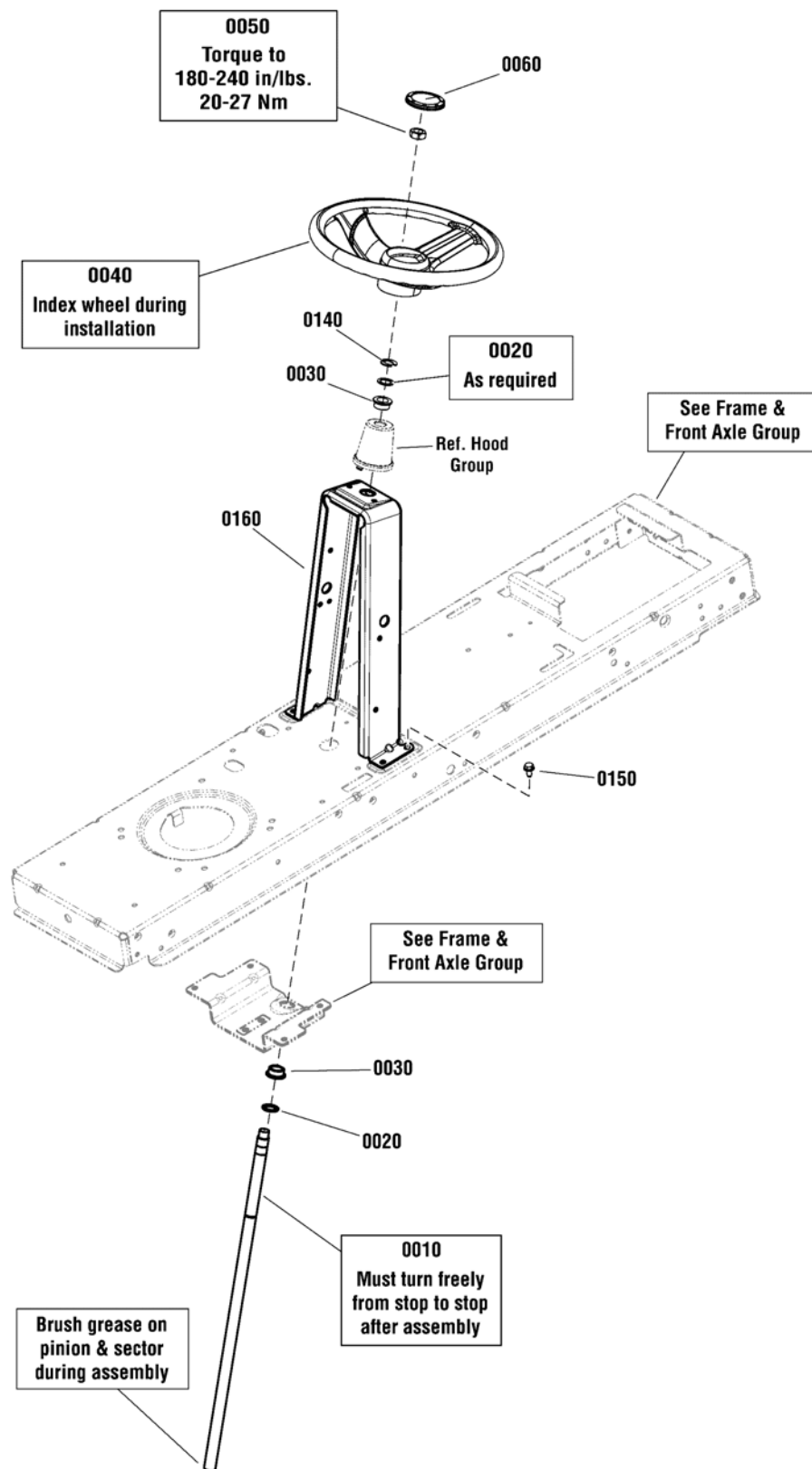
Seat Deck & Fuel Tank Group



Item	Part No	Qty	Description
0010	1758849DYP	1	SEAT DECK, Red
0020	703185	4	BOLT, Carriage, 5/16-18 x 3/4, GR 5
0030	703409	4	NUT, Hex Flange, Whiz Lock, 5/16-18
0031	1709256SM	4	WASHER, Spring, 5/16
0040	1728007SM	1	PAD, Footrest, RH
0050	1728006SM	1	PAD, Footrest, LH
0060	1758414YP	1	FUEL TANK ASSEMBLY
0060-10	1654930SM	1	BUSHING, Fuel Tank
0060-20	-----	1	FUEL TANK (Order Ref. No. 0060)
0060-30	1758506YP	1	TUBE, Fuel Pickup
0060-40	1758611YP	1	SENDER, Fuel
0060-50	1758898YP	1	PLATE, Mounting, Fuel Sender
0060-60	2860665SM	5	SCREW, Pan Head Torx, #10-32 x 1/2
0060-70	5101651SM	1	CAP, Fuel
0063	197546GS	5	MOUNT, Vibration
0070	1758526YP	1	POD, LH
0080	1754213YP	1	SEAT
0080	1759179YP	1	SEAT, With Armrest
0090	1731300SM	4	SPACER, 5/16 ID x 1-1/4 OD x 5/16"
0100	1755767BMYP	1	SUPPORT, Seat
0110	1727268BMYP	1	LATCH, Seat
0120	1930595SM	4	SCREW, Hex Flange, Whiz Lock, 5/16-1-1/4
0130	703298	4	WASHER, 5/16
0190	885538AYP	1	PIVOT, Seat
0200	703949	2	SCREW, Hex Washer Head, Taptite, 5/16-18 x 5/8
0210	1739016YP	1	POD, RH
0220	1960536SM	6	SCREW, Hex Washer Head, Plastite, 1/4 x 1/2
0230	1722302SM	1	GRIP
0250	703851	2	BOLT, Shoulder, 5/16-18 x 1
0260	703115	2	NUT, Flange Nylock, 5/16-18
0300	885382YP	2	WASHER, Rubber
0360	1704724SM	2	COVER, Spring
0380	703225	2	BOLT, Carriage, 5/16-18 x 3/4, GR 5
0390	1923114SM	1	CAPSCREW, Hex Head, 1/2-13 x 1, GR 5
0400	703853	1	WASHER, 1/2
0410	5025038SM	1	NUT, Hex, 1/2-13
0420	1704728SM	2	SPRING, Compression
0440	7023354YP	1	SWITCH, Seat, Push Button
0450	5022673SM	1	BUMPER
0460	703233	1	NUT, 1/4-20

Footnotes

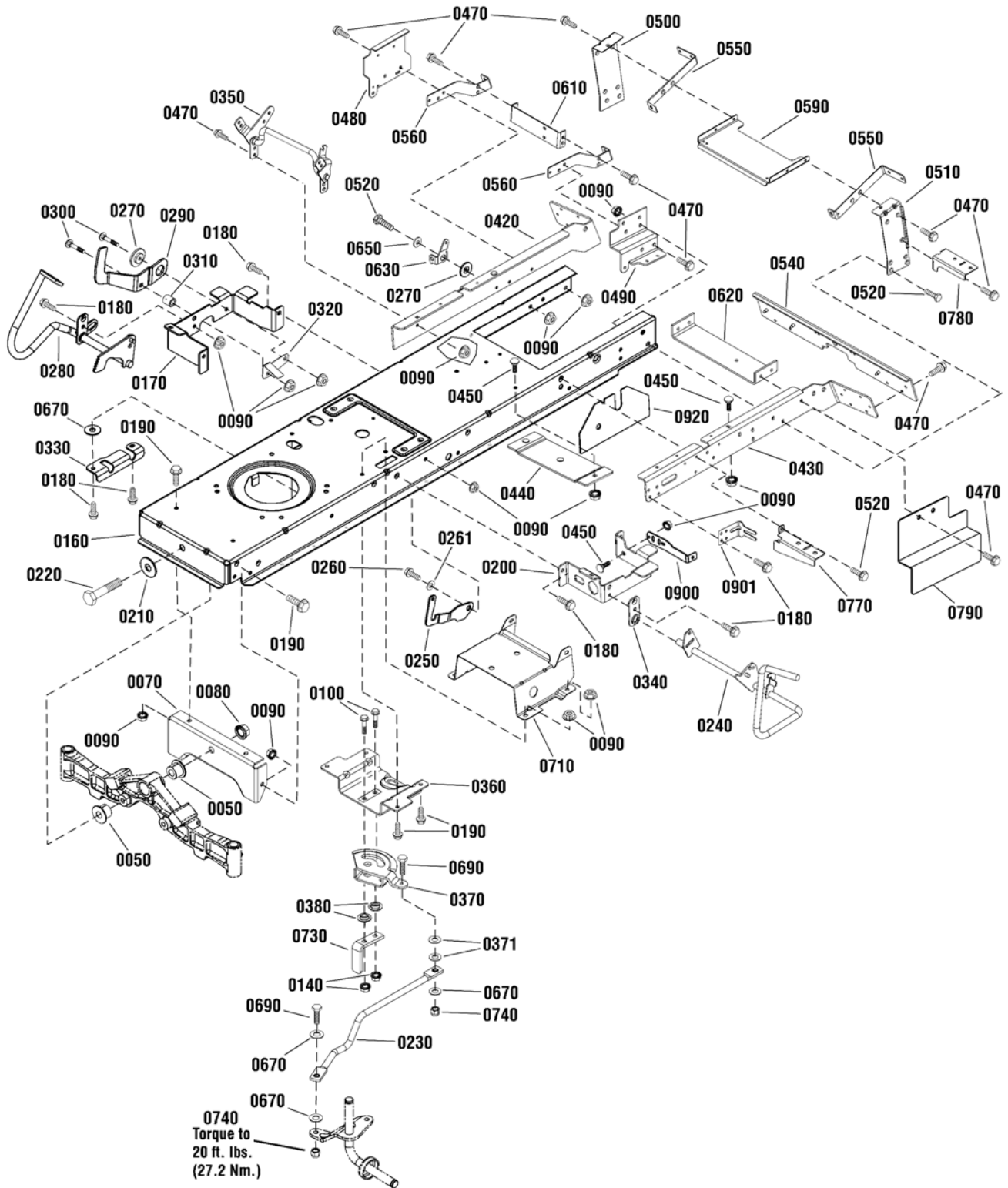
Steering Group



Item	Part No	Qty	Description
0010	1727813SM	1	SHAFT, Steering Gear & Spline
0020	1960114SM	2	WASHER, 3/4 x 1
0030	1729665SM	2	BUSHING, Steering
0040	1728069SM	1	STEERING WHEEL (Use on 96cm Models)
0040	7078088YP	1	STEERING WHEEL (Use on 107cm Models)
0050	1960576SM	2	NUT, Hex Lock, 5/16-18
0060	1725024SM	1	CAP, Steering Wheel, Plain
0140	1611710SM	1	RING, Klipring Extension
0150	1930601SM	4	SCREW, Hex Washer Head, Taptite, 5/16-18 x 5/8
0160	885835BMYP	1	TOWER

Footnotes

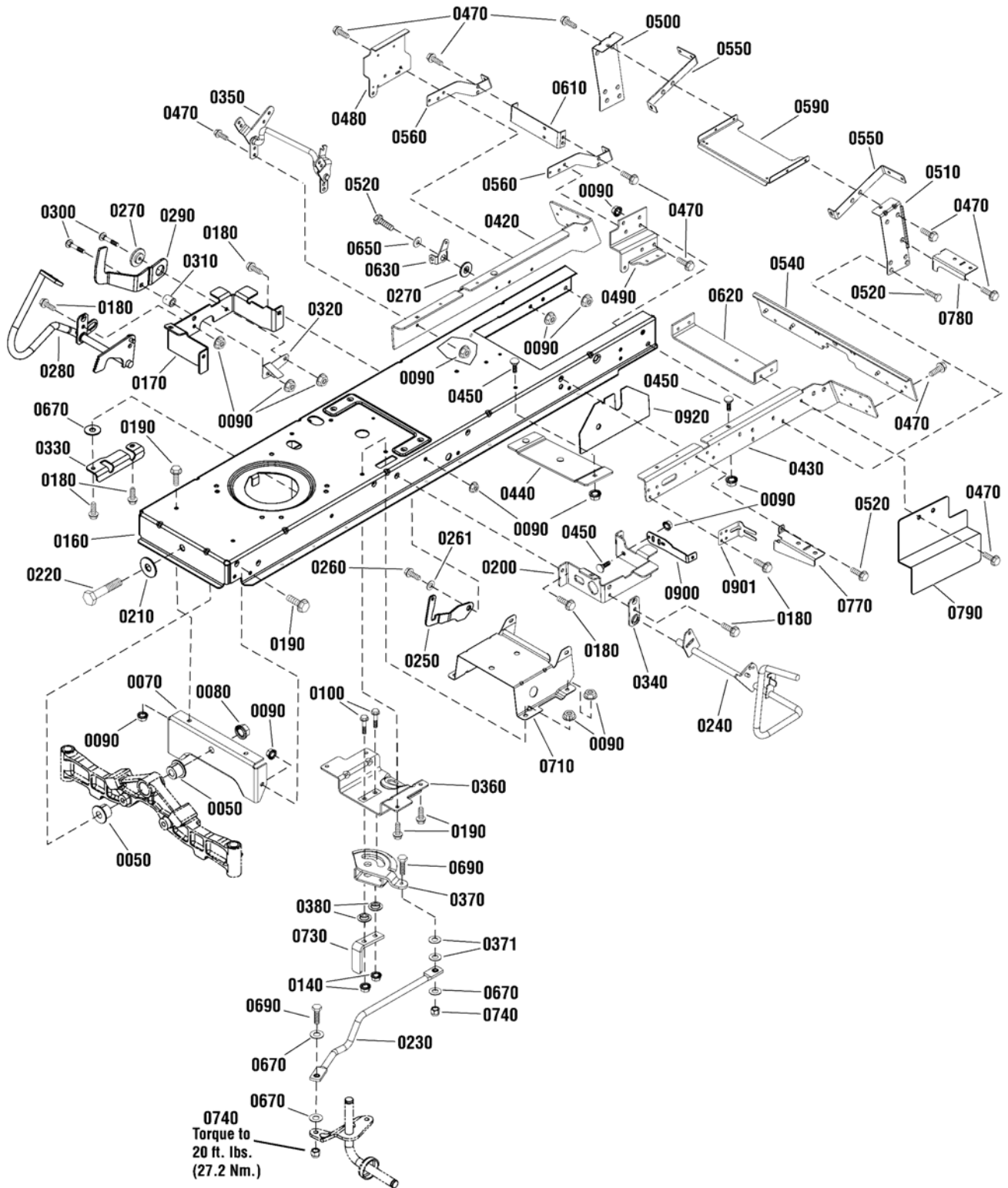
Frame Group



Item	Part No	Qty	Description
0050	1730186SM	2	BUSHING
0070	1727902SM	1	PLATE, Axle Support
0080	2860646SM	1	NUT, Hex Flange Two-Way Lock, 5/8-11
0090	703409	36	NUT, Hex Flange, 5/16-18
0100	1960032SM	2	SCREW, Hex Head, 3/8-16 x 1-1/4, G5
0140	703893	2	NUT, Hex Flange, 3/8-16
0160	1758743	1	FRAME (Not a serviceable part)
0170	1727904SM	1	SUPPORT, Front Footrest R.H.
0180	703949	12	SCREW, Taptite, 5/16-18 x 5/8
0190	703354	10	CAPSCREW, Hex Head, 5/16-18 x 3/4
0200	885536AYP	1	SUPPORT, Front Footrest L.H.
0210	1960035SM	1	WASHER, Flat, 5/8
0220	2860744SM	1	CAPSCREW, Hex Head, 5/8-11 x 3-1/4 G5
0230	1738051YP	1	LINK, Drag
0240	1755925YP	1	PEDAL ASSEMBLY, Brake
0250	1735595YP	1	LATCH, Brake Lock
0260	703851	1	BOLT, Shoulder, 5/16-18 x 1-1/8
0261	7014296YP	1	WASHER
0270	1727935SM	2	SPACER, Pivot
0280	1736714AYP	1	PEDAL, Forward
0290	1727246SM	1	PEDAL, Reverse
0300	703446	2	BOLT, Carriage, 5/16-18 x 1-1/4
0310	1728024SM	1	SPACER, Foot Pedal
0320	1728025BMYP	1	ACTUATOR, RMO Switch
0330	885591AYP	1	BRACKET, Pedal Pivot
0340	1727911ASM	1	PLATE, Bearing
0350	1758772YP	1	ARM, Lift
0360	1727940SM	1	BRACKET, Sector Support
0370	1751110YP	1	GEAR, Steering
0371	703298	2	WASHER, 5/16
0380	1728122SM	2	SPACER, Sector Gear
0420	1758741YP	1	BRACKET, Rear Frame, RH
0430	1758740YP	1	BRACKET, Rear Frame, LH
0440	885532AYP	1	BRACE, Cross
0450	703185	9	BOLT, Carriage, 5/16-18 x 3/4, G5
0470	703228	26	CAPSCREW, Hex Washer Head, Taptite, 5/16-18 x 3/4
0480	885474AYP	1	BRACKET, Transaxle, RH
0490	885475AYP	1	BRACKET, Transaxle, LH
0500	885411AYP	1	SUPPORT, Deck, R.H.
0510	885412AYP	1	SUPPORT, Deck, L.H.
0520	703585	13	CAPSCREW, Hex Head, 5/16-18 x 1, G5
0540	885469AYP	1	BRACKET, Middle Back Plate
0550	1758921YP	2	SUPPORT, Upper, Back Plate
0560	885467AYP	2	SUPPORT, Lower, Back Plate

Footnotes

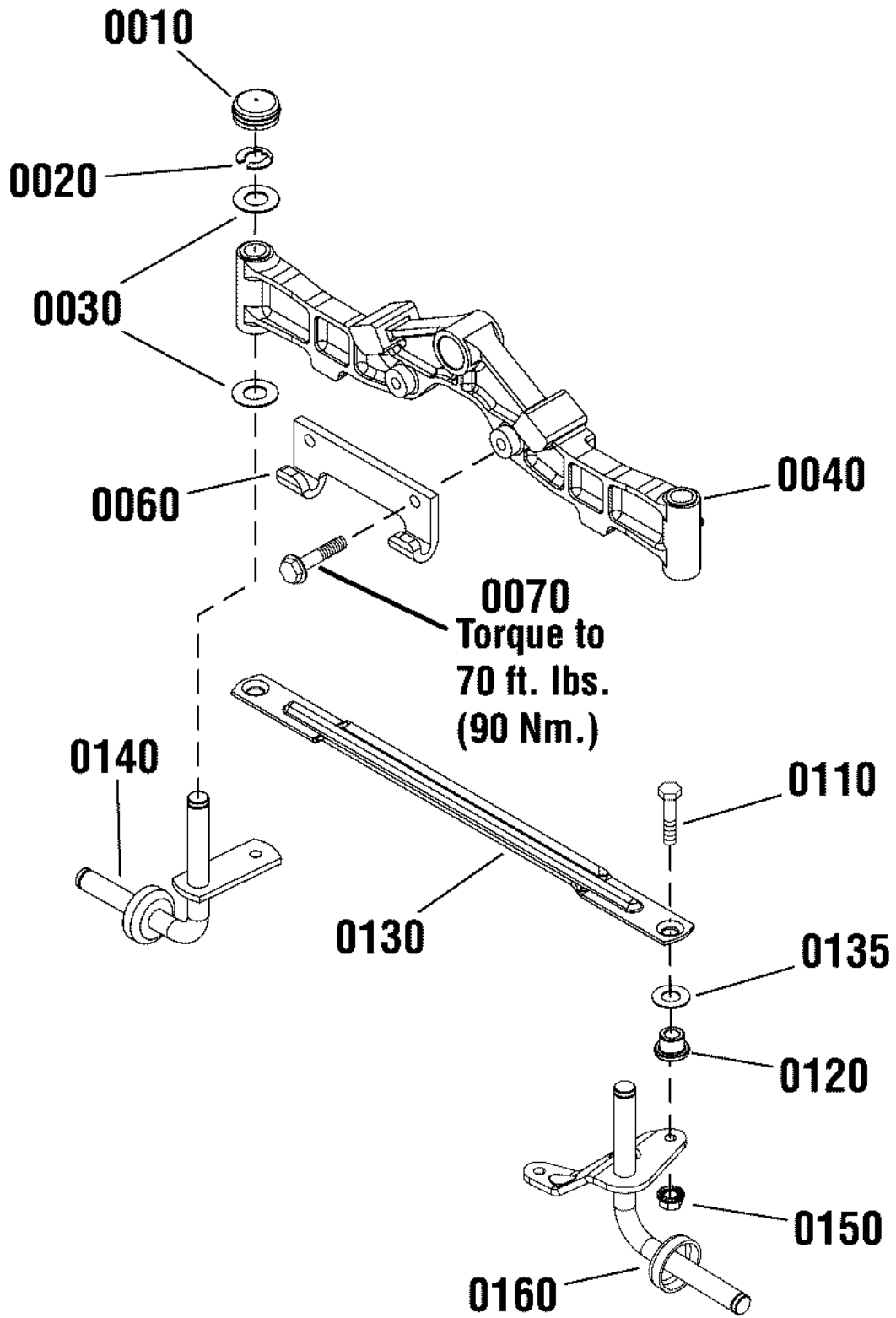
Frame Group



Item	Part No	Qty	Description
0590	885503AYP	1	BRACE, Cross Deck Support
0610	885890YP	1	BRACKET, Torque
0620	885486AYP	1	BRACKET, Idler Mount
0630	1728990ASM	1	CLEVIS, Lift
0650	1960044SM	1	WASHER, 5/16
0670	1919326SM	5	WASHER, 5/16
0690	703570	2	CAPSCREW, Hex Head, 5/16-18 x 1-1/4, GR 5
0710	1727282ASM	1	SUPPORT, Battery
0730	885791YP	1	UPSTOP
0740	704067	2	NUT, Hex Flange, Center Lock, 5/16-18
0770	1758692YP	1	BRACKET, Fuel Tank, Front
0780	1758691YP	1	BRACKET, Fuel Tank, Rear
0790	885892YP	2	GUARD, Rear
0900	1759729CJYP	2	SUPPORT
0901	1759730CJYP	2	SUPPORT, Frame
0920	1760020BMYP	2	GUARD, Midframe

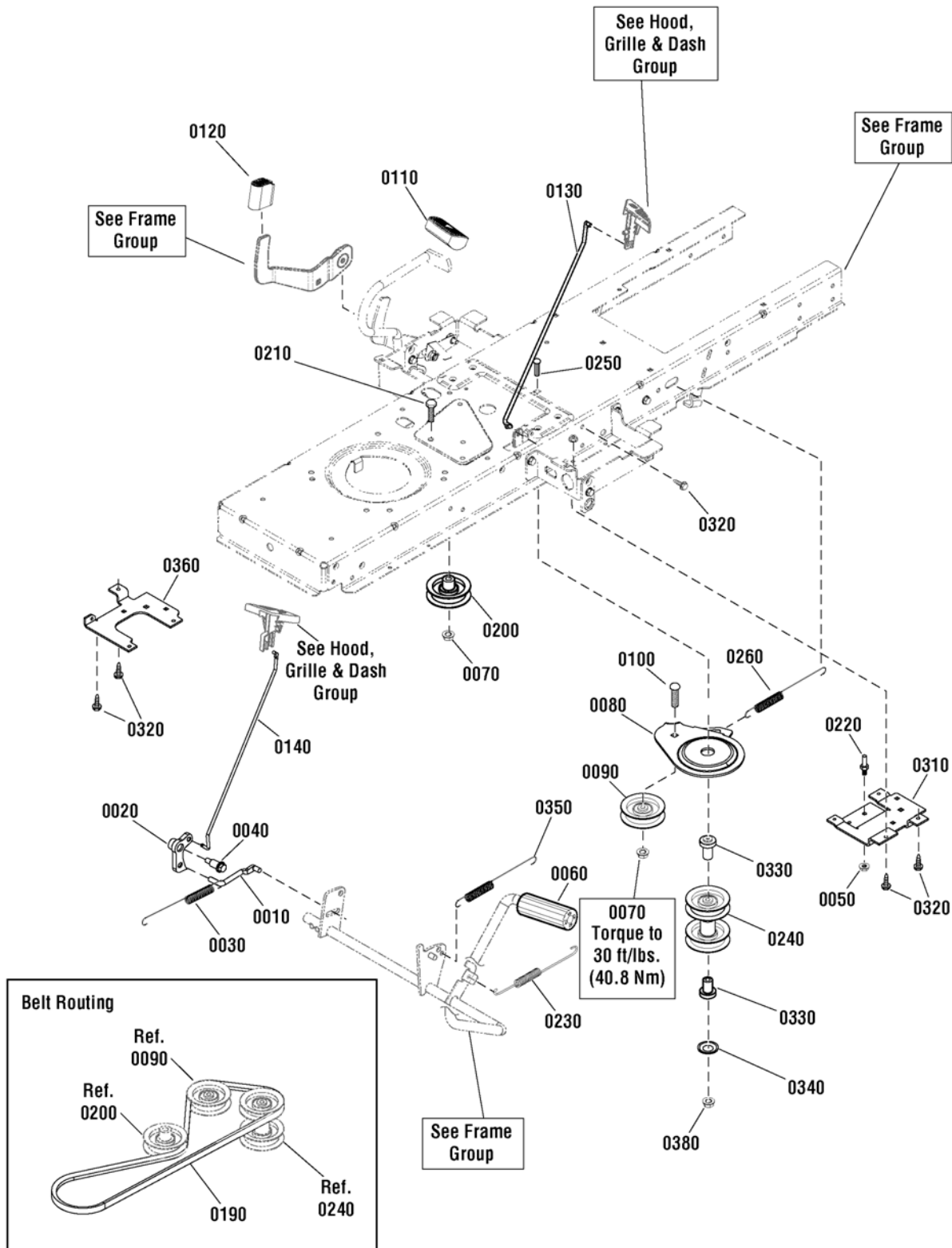
Footnotes

Front Axle Group



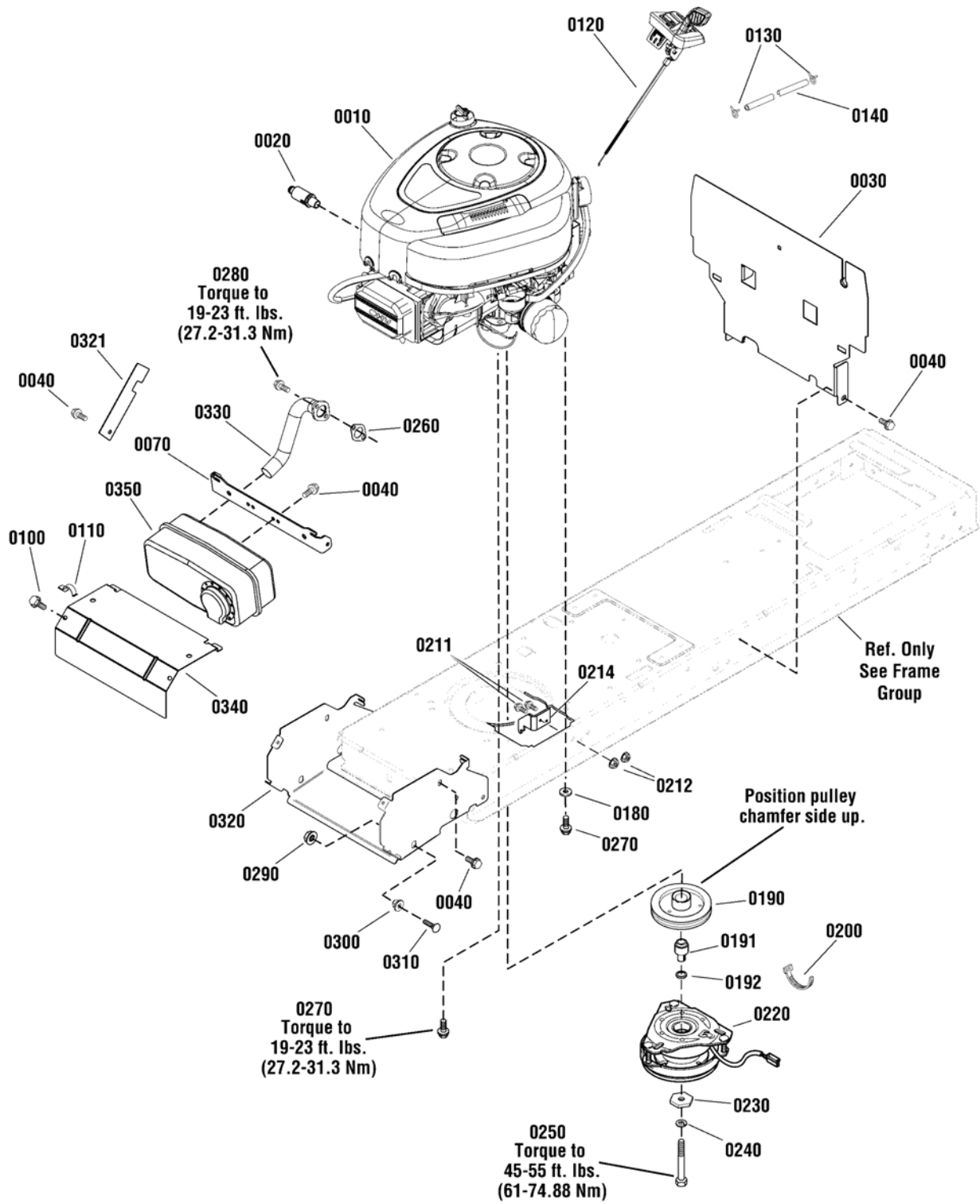
Item	Part No	Qty	Description
0010	1734135SM	2	CAP, Hub
0020	1611710SM	2	E-RING, 3/4
0030	2860183SM	4	WASHER, Flat, 3/4
0040	1756386YP	1	AXLE, Front
0060	1721918ASM	1	HOOK, Mower, Hitch
0070	1960652SM	2	SCREW, Hex Flange, Whiz Lock, 7/16-14 x 1-1/2
0110	1960032SM	2	CAPSCREW, Hex Head, 3/8-16 x 1-1/4, G5
0120	1731912SM	2	BUSHING, 3/8 ID x 5/8 OD x 1/2
0130	1751964YP	1	TIE ROD
0135	1960703SM	2	WASHER, 5/8
0140	1727872ASM	1	SPINDLE ASSEMBLY, R.H.
0150	703893	2	NUT, Hex, Flange, Locking, 3/8-16
0160	1751922YP	1	SPINDLE ASSEMBLY, L.H.

Footnotes



Item	Part No	Qty	Description
0010	1727899SM	1	ROD, Cruise Latch, 2.83"
0020	1727897SM	1	LATCH, Cruise
0030	2159181SM	1	SPRING, Extension 7-3/4
0040	1728976SM	1	BOLT, Shoulder, 5/16-18 x 1-5/8
0050	703409	2	NUT, Hex Flange, Whiz Lock, 5/16-18
0060	1727261SM	1	PEDAL, Brake Rubber
0070	703158	2	NUT, Hex Flange, ESNA, 3/8-16
0080	885410AYP	1	BRACKET, Idler Front Movable
0090	885645YP	1	PULLEY, 3 OD Plastic
0100	1931352SM	1	BOLT, Carriage, 3/8-16 x 1-1/2
0110	1721675SM	1	PAD, Foot Pedal, Forward
0120	1727259SM	1	PAD, Foot Pedal, Reverse
0130	1739876YP	1	ROD, Parking Brake
0140	1739877YP	1	ROD, Cruise Latch
0190	885895YP	1	BELT, Primary, M/D (47.89" EL, HA Section)
0200	885894YP	1	IDLER, Backside
0210	704289	1	CAPSCREW, Hex Head, 3/8-16 x 1-3/4, G5
0220	885534YP	1	BELT GUIDE
0230	885421YP	1	SPRING, Extension
0240	885426YP	1	PULLEY, Secondary Stack
0250	885577YP	1	BOLT, Carriage, 3/8-16 x 5
0260	1729620SM	1	SPRING, Extension 7-1/2"
0310	885684BMYP	1	BRACKET, Stack Pulley, Left
0320	703228	4	SCREW, Hex Washer Head, Taptite, 5/16-18 x 3/4
0330	885575YP	2	SPACER
0340	703986	1	NUT, Push Pal, 3/8
0350	1721995SM	1	SPRING, Extension
0360	885685BMYP	1	BRACKET, Stack Pulley, Right
0380	703893	1	NUT, Hex Flange, Centerlock, 3/8-16

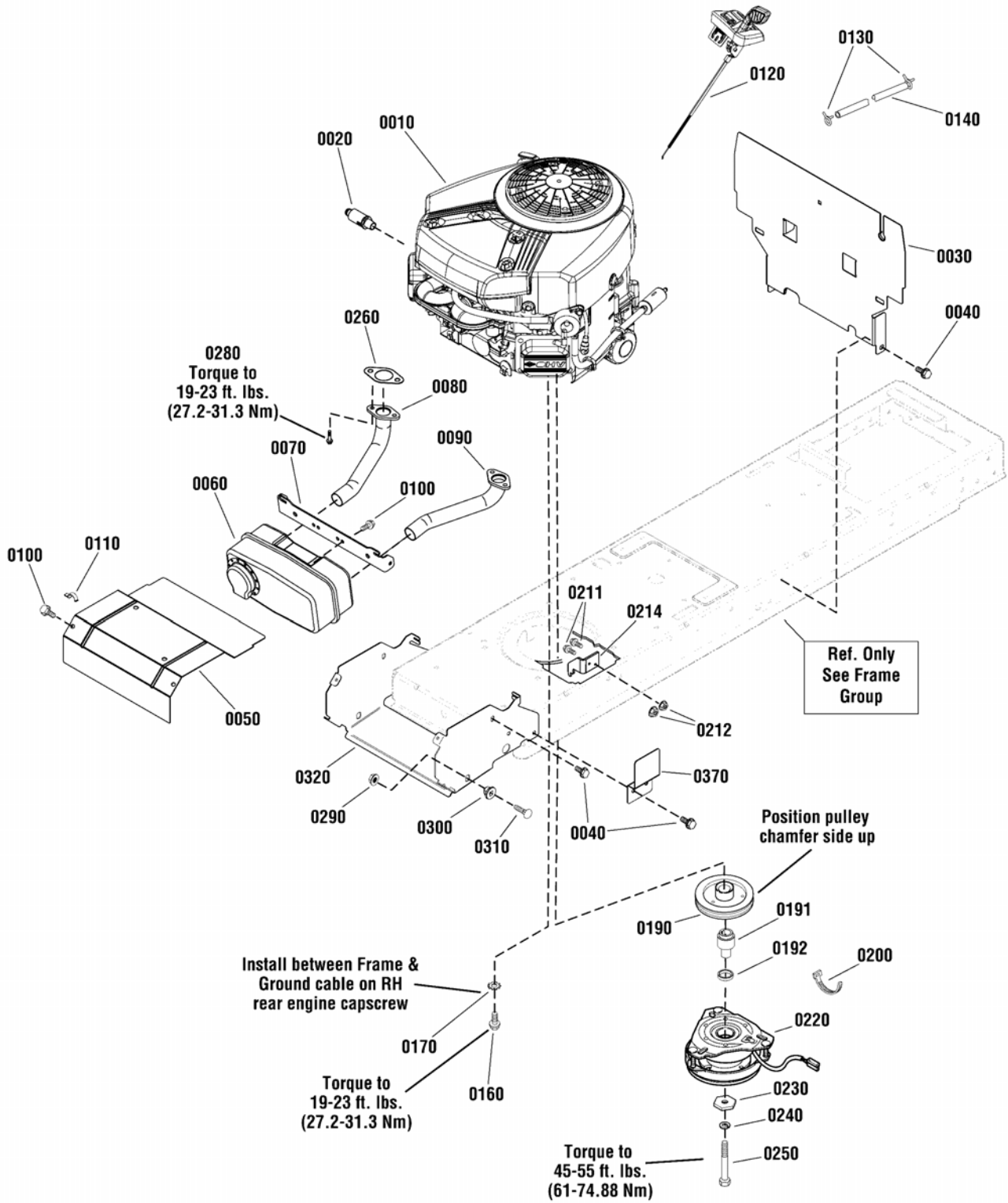
Footnotes



Item	Part No	Qty	Description
0010	31R977-0039-B1	1	* ENGINE, Briggs & Stratton 4195 Series Inkek, Single (Engine Model: 31R977-0039-B1)
0020	1750159YP	1	VALVE, Oil Drain
0030	1738380AYP	1	SHIELD, Heat
0040	703949	11	SCREW, Taptite, 5/16-18 x 5/8
0070	1759176BMYP	1	SUPPORT, Muffler
0100	704130	2	SCREW, Taptite, 1/4-20 x 1/2
0110	2172434SM	1	CLIP, Wire
0120	1738794YP	1	CONTROL, Throttle, Choke-A-Matic
0130	791850	2	CLAMP, Hose
0140	845503	1	HOSE, Fuel
0180	703864	1	WASHER, External Tooth, 3/8
0190	1732576SM	1	PULLEY & HUB ASSEMBLY, Engine
0191	885679YP	1	SPACER, Electric Clutch
0192	885810YP	1	SPACER, Electric Clutch
0200	1701011SM	3	TIE, Self Locking
0211	704287	2	SCREW, Taptite, 5/16-18 x 3/4
0212	703409	2	NUT, Hex Flange, Whiz Lock, 5/16-18
0214	885535AYP	1	BRACKET, Electric Clutch Torque
0220	885680YP	1	CLUTCH, Electric, GT1A-EH07
0230	1708264SM	1	WASHER, 7/16
0240	704007	1	LOCKWASHER, Split, 7/16
0250	7102075YP	1	CAPSCREW, Hex Head, 7/16-20 x 5
0260	690970	1	GASKET, Exhaust
0270	704000	4	SCREW, Taptite, 3/8-16 x 1
0280	690341	2	SCREW, Hex SEMS Lock Washer 5/16-18 x 7/8
0290	703409	2	NUT, Hex Flange, Whiz Lock, 5/16-18
0300	1728086SM	2	PIVOT, Hood
0310	703800	2	BOLT, Carriage, 5/16-18 x 1
0320	1738265AYP	1	BRACKET, Muffler
0321	1736025BMYP	1	GUARD, Pulley
0330	1728959SM	1	PIPE, Exhaust
0340	1727996ASM	1	SHIELD, Heat
0350	885615YP	1	MUFFLER

Footnotes

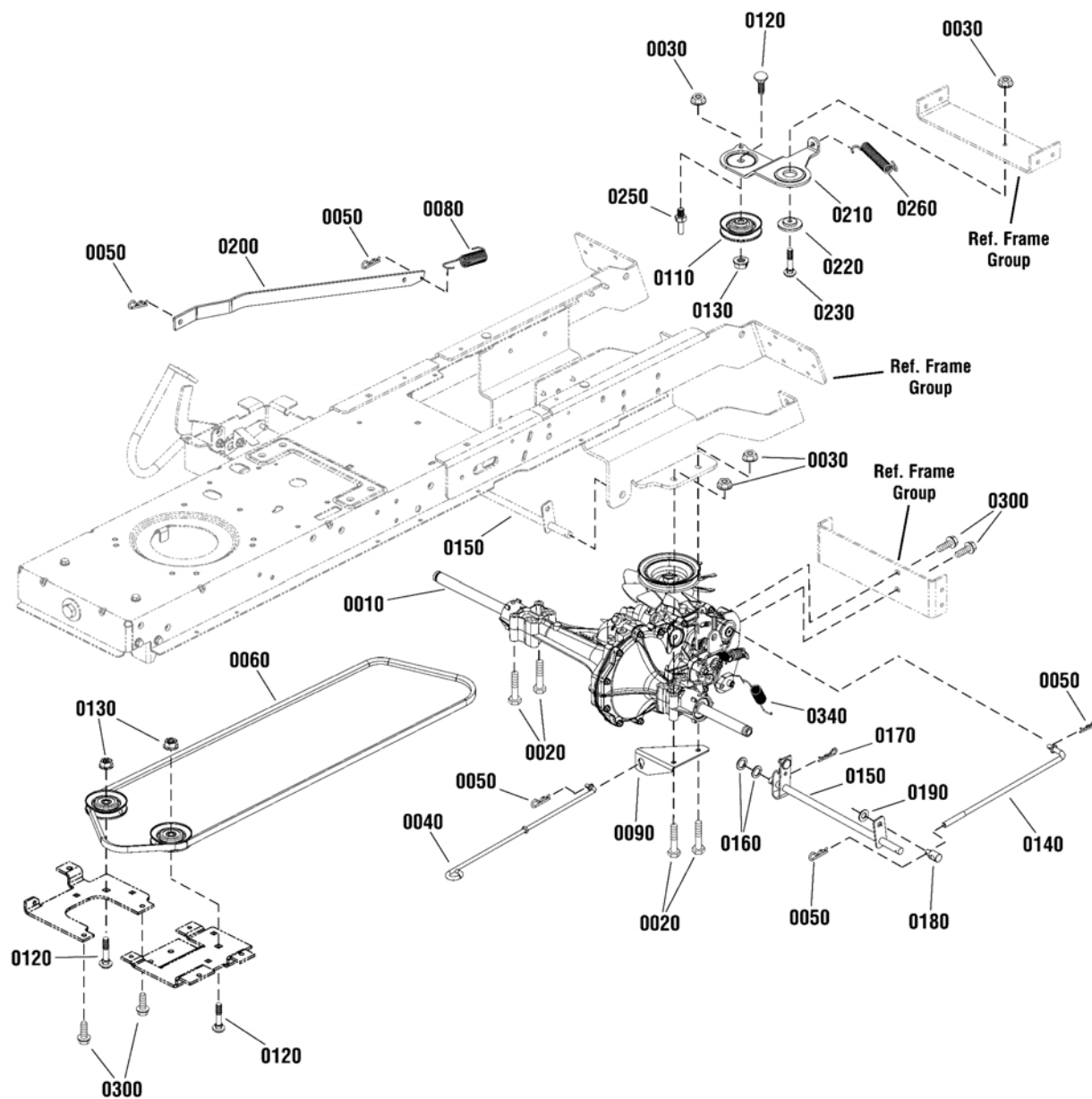
Note* To verify your specific engine model, please reference the ID Tag located on your engine. See your local Briggs & Stratton distributor for parts and service.



Item	Part No	Qty	Description
0010	40R877-0025-B1	1	* ENGINE, Briggs & Stratton 7220 Intek, Twin Series (Engine Model: 40R877-0025-B1)
0010	44S877-0039-B1	1	* ENGINE, Briggs & Stratton 8270 Twin Series (Engine Model: 44S877-0039-B1)
0020	1750159YP	1	VALVE, Oil Drain
0030	1738380AYP	1	HEAT SHIELD
0040	703949	8	SCREW, Taptite, 5/16-18 x 5/8
0050	1727997ASM	1	HEAT SHIELD, Twin
0060	885954YP	1	MUFFLER, Twin
0070	1727976BMYP	1	SUPPORT, Muffler
0080	1727979SM	1	EXHAUST PIPE, RH
0090	1727980SM	1	EXHAUST PIPE, LH
0100	704130	4	SCREW, Taptite, 1/4-20 x 1/2
0110	2172434SM	1	WIRE CLIP
0120	1750217YP	1	THROTTLE CONTROL, Choke-A-Matic
0130	791850	2	CLAMP, Hose
0140	845503	1	HOSE, Fuel
0160	704000	4	SCREW, Taptite, 3/8-16 x 1
0170	703864	1	WASHER, 3/8, External
0190	1732576SM	1	PULLEY & HUB ASSEMBLY, Engine
0191	885679YP	1	SPACER, Electric Clutch
0192	885810YP	1	SPACER, Electric Clutch
0200	1701011SM	3	TIE, Self Locking
0211	704287	2	SCREW, Taptite, 5/16-18 x 3/4
0212	703409	2	NUT, Hex Flange, Whiz Lock, 5/16-18
0214	885535AYP	1	BRACKET, Electric Clutch Torque
0220	885680YP	1	CLUTCH, Electric, GT1A-EH07
0230	1708264SM	1	WASHER, 7/16
0240	704007	1	LOCKWASHER, Split, 7/16
0260	690970	2	GASKET, Exhaust
0280	690341	4	SCREW, Hex SEMS Lock Washer 5/16-18 x 7/8
0290	703409	2	NUT, Hex Flange, Whiz Lock, 5/16-18
0320	1738265AYP	1	BRACKET, Muffler
0370	1738798BMYP	2	GUARD, Front

Footnotes

Note* To verify your specific engine model, please reference the ID Tag located on your engine. See your local Briggs & Stratton distributor for parts and service.

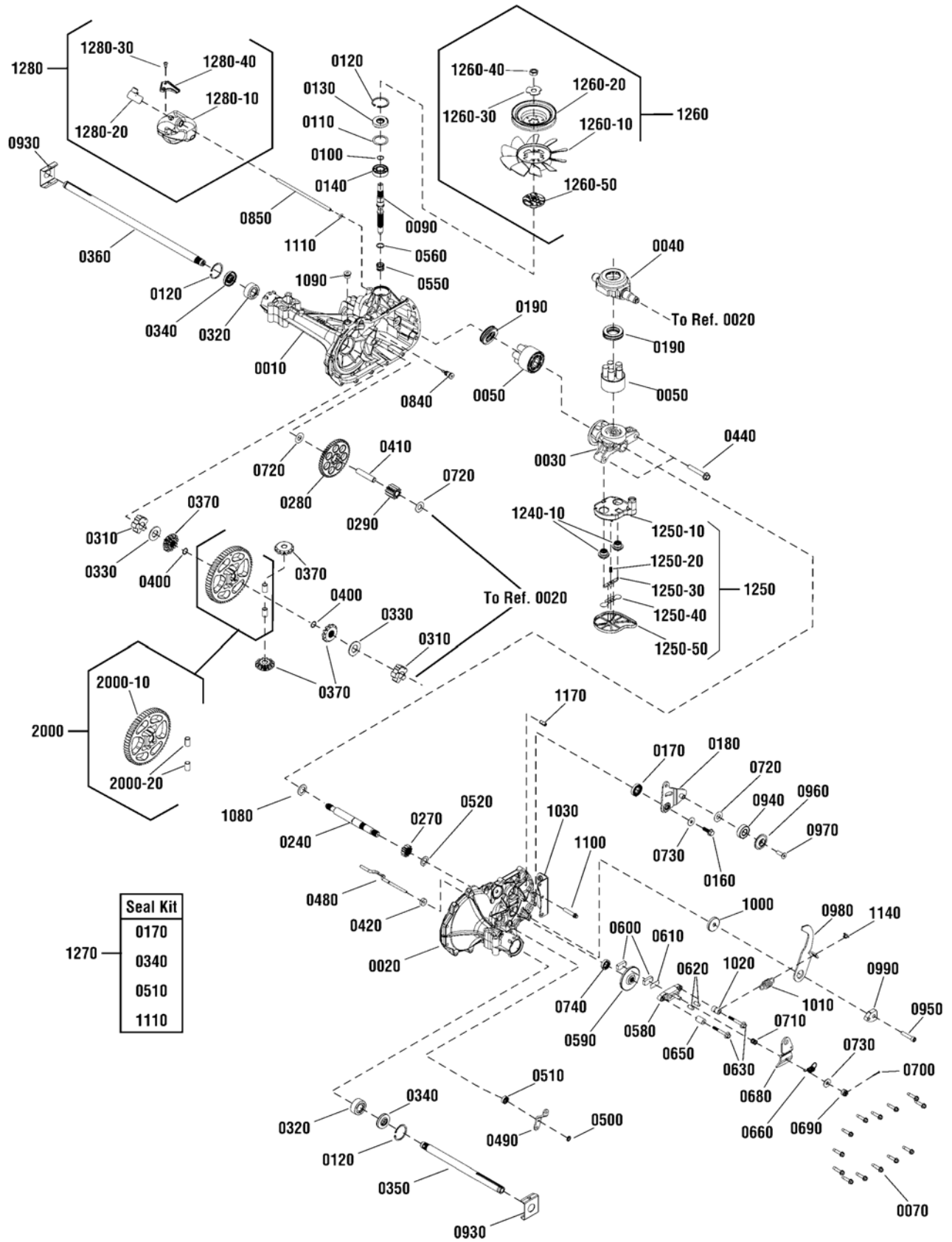


Item	Part No	Qty	Description
0010	885528YP	1	* TRANSMISSION, Hydro Gear, 610
0020	703869	4	SCREW, Hex Head Flange Lock, 5/16-18 x 2-3/4, G5
0030	703409	6	NUT, Hex Flange, Whiz Lock, 5/16-18
0040	885436YP	1	LEVER, Roll Release
0050	703430	5	PIN, Quick
0060	885495YP	1	BELT, Secondary (81.37" EL, HA section)
0080	165X75MA	1	SPRING, Extension
0090	885868BMYP	1	BRACKET, Roll Release
0110	885645YP	3	PULLEY, Idler
0120	1931352SM	3	BOLT, Carriage, Short Neck, 3/8-16 x 1-1/2, G5
0130	703893	3	NUT, Hex Flange, Centerlock, 3/8-16
0140	885476YP	1	SPEED CONTROL, Short Link
0150	885477AYP	1	SPEED CONTROL ASSEMBLY
0160	017X91MA	2	WASHER, Flat, 13/16
0170	703300	1	PIN, Cotter
0180	021920ZMA	1	NUT, Adjusting
0190	703590	1	WASHER, Flat, .41
0200	885480AYP	1	LINK, Speed Control
0210	885409AYP	1	BRACKET, Idler, Rear
0220	1727935SM	1	SPACER, Pivot
0230	703800	1	BOLT, Carriage, Short Neck, 5/16-18 x 1, G5
0250	885077YP	1	BELT GUIDE
0260	1731939SM	1	SPRING, Extension
0300	703228	4	CAPSCREW, Hex Washer Head, Taptite, 5/16-18 x 3/4
0340	165X92MA	1	SPRING, Extension

Footnotes

Note* See your local authorized dealership for parts and warranty or contact Hydro Gear at www.hydro-gear.com/Support/NorthAmerica.aspx (U.S. 1-877-728-7410 Int'l 32 (0) 12 670 631)

Transmission SERVICE PARTS - Hydro Gear 324-0610



Seal Kit	
1270	0170
	0340
	0510
	1110

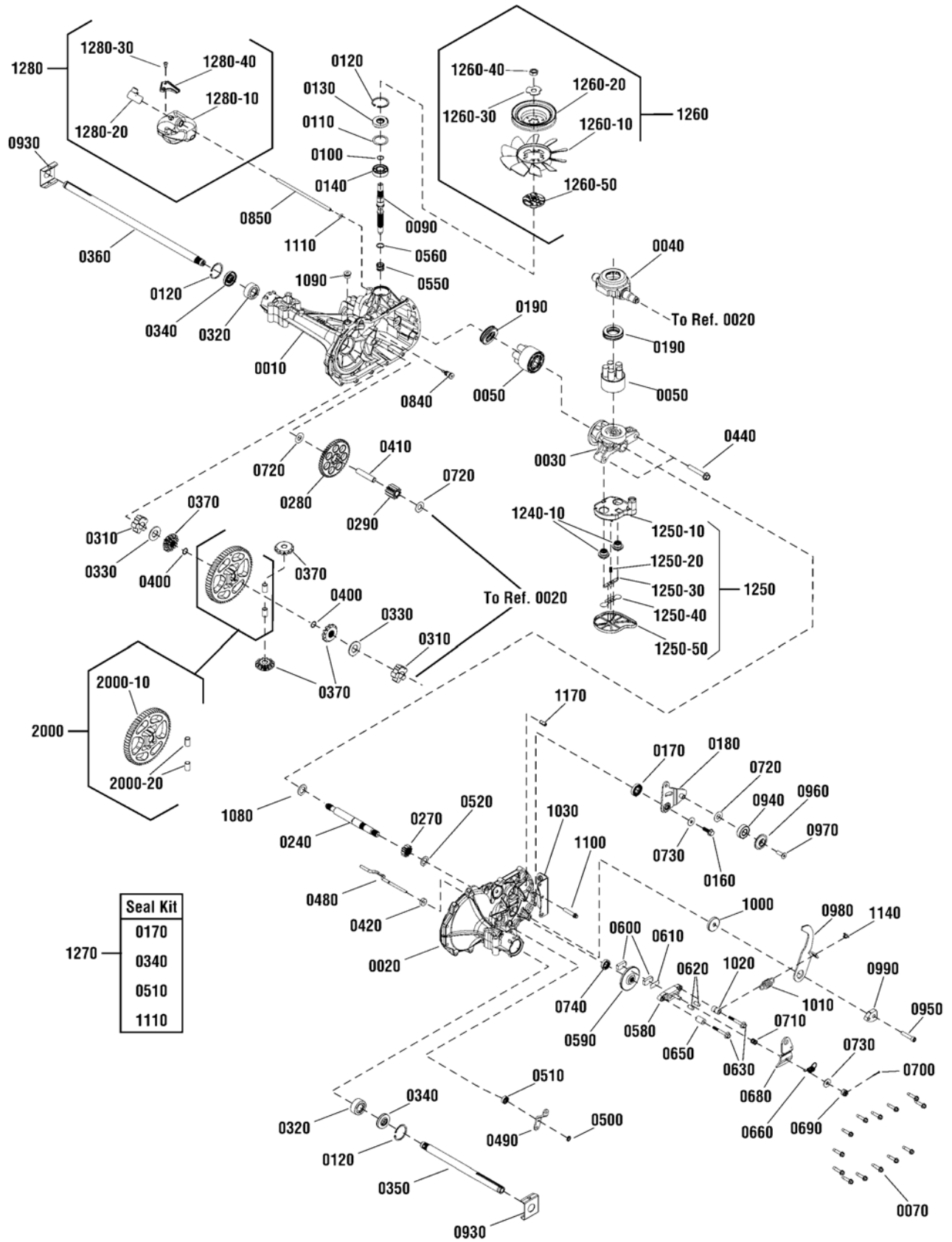
Transmission SERVICE PARTS - Hydro Gear 324-0610

Item	Part No	Qty	Description
0010	----	1	* MAIN HOUSING ASSEMBLY
0020	----	1	* SIDE HOUSING ASSEMBLY
0030	----	1	* CENTERSECTION ASSEMBLY
0040	----	1	* TRUNNION, Swashplate
0050	----	2	* BLOCK ASSEMBLY
0060	----	1	* SEALANT, 10.1 oz. (Not Illustrated)
0070	----	14	* SCREW, Hex Washer, 1/4-20 x 1-1/8
0090	1752461YP	1	SHAFT, Input
0100	1715270SM	1	RING, Retaining
0110	1752462YP	1	WASHER, Flat, 1.23 x 1.57 x .04
0120	1752463YP	3	RING, Retaining
0130	1752464YP	1	SEAL, LIP 17 x 40 x 12
0140	1752465YP	1	BEARING, Ball 17 x 40 x 12
0160	----	1	* SCREW, Hex Flange, With Patch, 5/16-24 x 15/16
0170	----	1	* SEAL, Lip, 18 x 32 x 7 (Not a serviceable part, order kit # 1270)
0180	----	1	* ARM, Control
0190	1715144SM	2	* BEARING, Thrust, 30 x 52 x 13
0240	----	1	* SHAFT, Motor
0270	----	1	* GEAR, Pinion, 12T
0280	----	1	* GEAR, 10T/49T
0290	----	1	* GEAR, Jackshaft, 10T
0310	----	2	* BUSHING, Sleeve (Inboard)
0320	----	2	* BUSHING, Sleeve, 3/4 x 1-1.571 x 5/8
0330	----	2	* WASHER, Flat, 3/4 x 1-1/2 x 7/64
0340	----	2	* SEAL, Lip, 3/4 x 1.577 x 1/4 (Not a serviceable part, order kit # 1270)
0350	----	1	* SHAFT, Axle, 3/4 x 11.39 (Key, RH)
0360	----	1	* SHAFT, AXLE, 3/4 x 16.99 (Key, LH)
0370	----	1	* KIT, Miter Gear
0400	----	2	* RING, Retaining Spiral
0410	----	1	* PIN, Jackshaft, 1/2 x 2.43
0420	----	1	* MAGNET, Ring
0440	1717965SM	2	SCREW, Hex Flange, 3/8-24 x 2-1/2
0480	----	1	* ROD, Actuator Bypass
0490	----	1	* ARM, Bypass
0500	----	1	* RING, Retaining, External, 1/4
0510	----	1	* SEAL, Lip, 1/4 x 3/4 x 1/4 TC (Not a serviceable part, order kit # 1270)
0520	----	1	* WASHER, Flat, 5/8 x 1 x 1/2
0530	----	1	* RING, Retaining
0540	----	1	* BUSHING, Center Block
0550	----	1	* SPRING, Block
0560	----	1	* WASHER, Thrust, .59 x .79 x .04
0580	----	1	* BRAKE YOKE KIT
0590	----	1	* DISK, Brake
0600	----	2	* PUCK, Brake

Footnotes

Note* See your local authorized dealership for parts and warranty or contact Hydro Gear at www.hydro-gear.com/Support/NorthAmerica.aspx (U.S. 1-877-728-7410 Int'l 32 (0) 12 670 631)

Transmission SERVICE PARTS - Hydro Gear 324-0610



Seal Kit	
0170	
0340	
0510	
1110	

Transmission SERVICE PARTS - Hydro Gear 324-0610

Item	Part No	Qty	Description
0610	----	1	* PLATE, Puck
0620	----	2	* PIN, Brake Actuating
0630	----	2	* SCREW, Hex Head, With Patch, 1/4-20 x 2
0650	1715199SM	1	SPACER, .26 x .57 x .87
0660	----	1	* SPRING, Brake arm Bias
0670	1706160SM	1	SCREW, Square Head, Ribbed, 5/16-24
0680	----	1	* ARM, Brake
0690	----	1	* NUT, Castle, 5/16-24
0700	----	1	* PIN, Cotter, 3/32 x 3/4
0710	----	1	* SPRING, Compression Brake, Anti-Drag
0720	----	3	* WASHER, Flat, .51 x 1.0 x .03
0730	----	2	* WASHER, Flat, .34 x .88 x .06
0740	----	1	* KIT, Seal
0840	----	1	* FITTING, 5/16 SAE 5/32 TUBE
0850	----	1	* HOSE, Expansion Tank, 7.56 In.
0930	1752466YP	2	SPRING CLIP, Housing Thrust (3/4" Axle)
0940	----	1	* BEARING, Ball, .62 x 1.38 x .44
0950	----	1	* CAPSCREW, Socket Head, 5/16-24 x 1-1/2
0960	----	1	* SPACER, Locating
0970	----	1	* SCREW, Countersunk, 5/16-18 x 1
0980	----	1	* ARM, Return
0990	----	1	* PUCK, Adjusting
1000	----	1	* WASHER, Flat, .32 x 1.60 x .24
1010	----	1	* SPRING, Extension, Double Loop
1020	----	1	* SPACER, .26 x .56 x .87
1030	----	1	* BRACKET, Torque
1080	----	1	* WASHER, Flat, .71 x 1.16 x .04
1090	----	1	* PLUG, 9/16-18 (METAL)
1100	----	1	* SCREW, Torx Head, 5/16-18 x 1-1/2
1110	----	1	* O-RING, .299 x .505 x .103 (Not a serviceable part, order kit # 1270)
1140	----	1	* SPRING, Guide
1170	----	1	* PIN, Spring, .304 x .75
1240	----	1	* CENTERSECTION ASSEMBLY, Filter, Bypass (Not Illustrated) (Includes Ref. Nos. 0030, 1240-10 & 1250)
1240-10	----	1	* CENTERSECTION (5-Piston) (Not a serviceable part, order kit # 1240)
1250	----	1	* FILTER ASSEMBLY (Includes Ref. Nos. 1250-10, 1250-20, 1250-30, 1250-40 & 1250-50)
1250-10	----	1	* BASE, Filter, With Poppet (Not a serviceable part, order kit # 1250)
1250-20	----	1	* SPRING, Bypass, 1/2" (Not a serviceable part, order kit # 1250)
1250-30	----	1	* ACTUATOR, Bypass (Not a serviceable part, order kit # 1250)
1250-40	----	1	* DEFLECTOR (Not a serviceable part, order kit # 1250)
1250-50	----	1	* BOTTOM, Filter (Not a serviceable part, order kit # 1250)
1260	1752467YP	1	FAN & PULLEY KIT (Includes Ref. Nos. 1260-10, 1260-20, 1260-30, 1260-40 & 1260-50)
1260-10	----	1	* FAN, 7" (10 BLADE) (Not a serviceable part, order kit # 1260)
1260-20	----	1	* PULLEY, Cupped, 4-1/2" (Not a serviceable part, order kit # 1260)

Footnotes

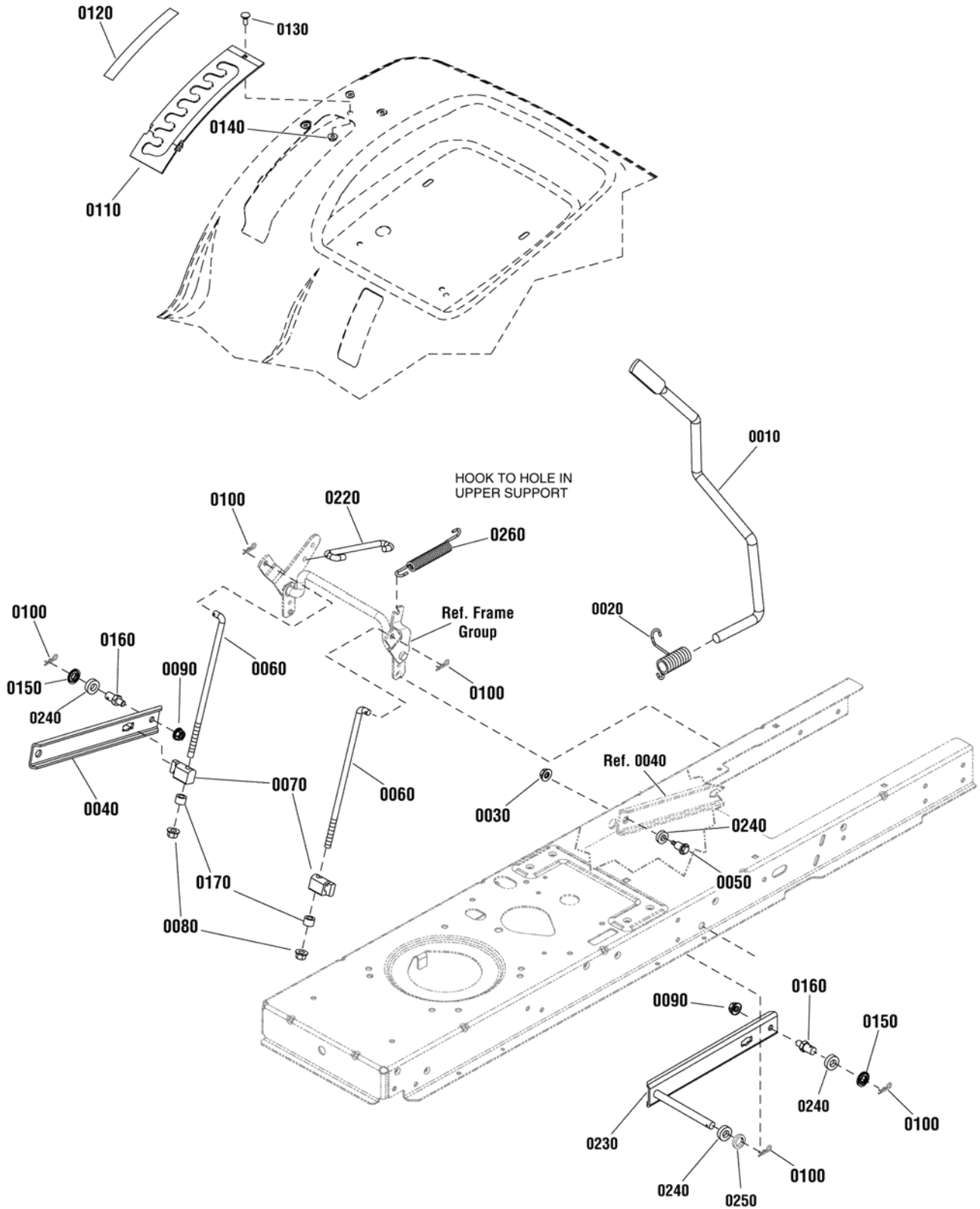
Note* See your local authorized dealership for parts and warranty or contact Hydro Gear at www.hydro-gear.com/Support/NorthAmerica.aspx (U.S. 1-877-728-7410 Int'l 32 (0) 12 670 631)

Transmission SERVICE PARTS - Hydro Gear 324-0610

Item	Part No	Qty	Description
1260-30	-----	1	* NUT, Hex Jam, With Patch, 1/2-20 (Not a serviceable part, order kit # 1260)
1260-40	-----	1	* WASHER, Slotted, .53 x 1.63 x .06 (Not a serviceable part, order kit # 1260)
1260-50	-----	1	* HUB, Pulley (Not a serviceable part, order kit # 1260)
1270	1752468YP	1	SEAL & O-RING KIT (Includes Ref. Nos. 0170, 0340, 0510 & 1110)
1280	1752469YP	1	EXPANSION TANK KIT (Includes Ref. Nos. 1280-10, 1280-20, 1280-30 & 1280-40)
1280-10	-----	1	* TANK, Expansion (Not a serviceable part, order kit # 1280)
1280-20	-----	1	* CAP, Expansion Tank (Not a serviceable part, order kit # 1280)
1280-30	-----	1	* BOLT, Self Tapping, 10-32 x 1/2 (Not a serviceable part, order kit # 1280)
1280-40	-----	1	* BRACKET, Expansion Tank (Not a serviceable part, order kit # 1280)
2000	-----	1	* KIT, 60T Bull Gear Diff Pins (Includes Ref. Nos. 2000-10 & 2000-20)
2000-10	-----	1	* GEAR, 60T
2000-20	-----	2	* PIN, 1/2

Footnotes

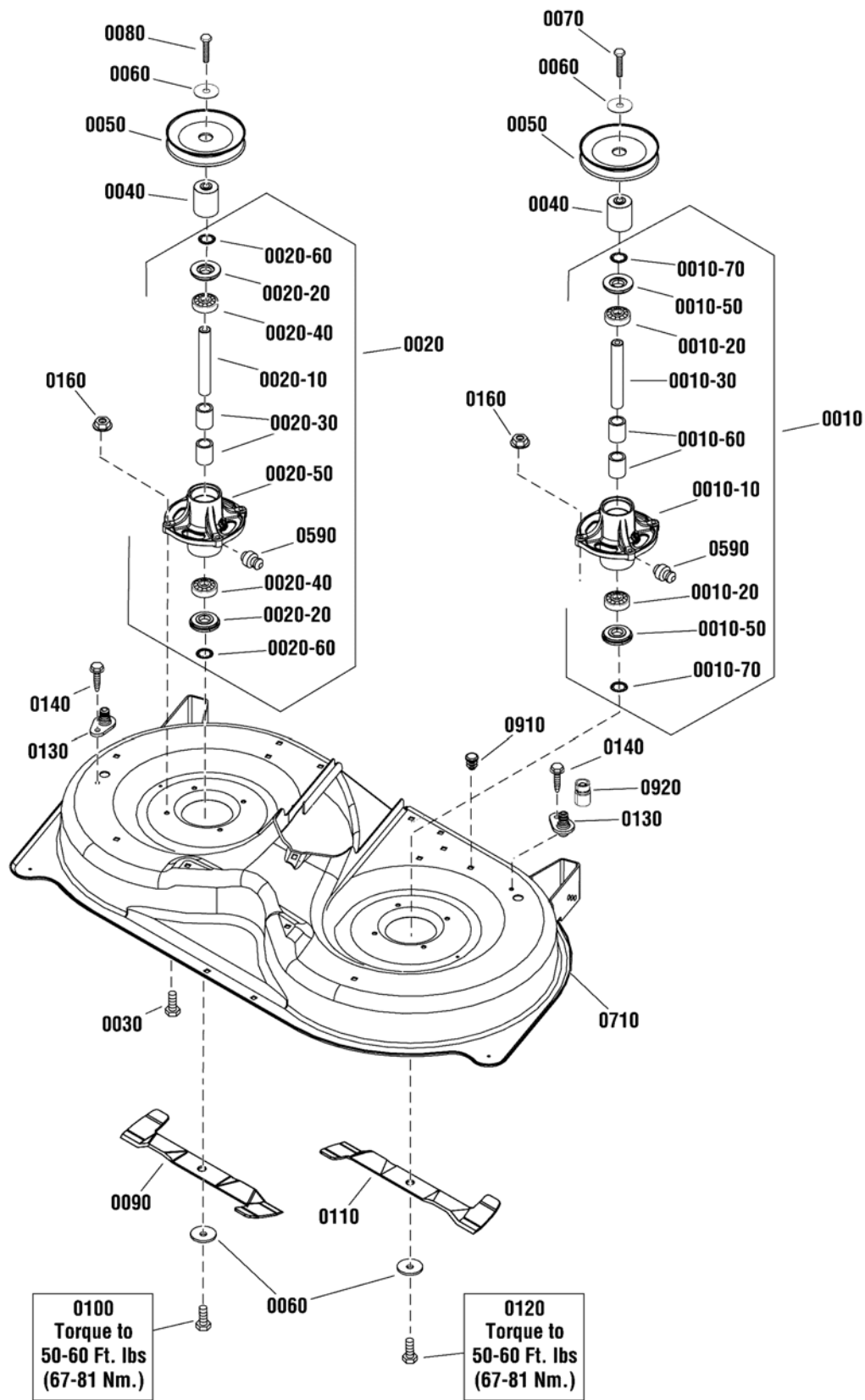
Note* See your local authorized dealership for parts and warranty or contact Hydro Gear at www.hydro-gear.com/Support/NorthAmerica.aspx (U.S. 1-877-728-7410 Int'l 32 (0) 12 670 631)



Item	Part No	Qty	Description
0010	1728070	1	ROD, Lift Handle, 17.7"
0020	1729652	1	SPRING, Torsion, 2.12 Inch
0030	1931277	1	NUT, Hex, Flange Whizlock, 5/16-18
0040	1731417BM	1	ARM, Rear Lift, RH
0050	1732426	1	BOLT, Shoulder
0060	1727955	2	ROD, Lower Life, 10.00 LG
0070	1731894	2	TRUNNION
0080	1960687	2	NUT, Hex Flange, 3/8-16 ESNA
0090	1931211	2	NUT, Hex, Flange Lock, 3/8-16
0100	1960074	5	CLIP, Spring
0110	1727985A	1	QUADRANT, Lift Height
0120	1730264	1	DECAL, Height Of Cut
0130	1960252	1	BOLT, Carriage, 1/4-20 x 5/8 G5
0140	1930641	1	NUT, Hex Flange Whiz, 1/4-20
0150	1960170	2	WASHER, 1/2
0160	721221	2	PIN, Threaded Shoulder
0170	1666294	2	SPACER
0220	1727954	1	ROD, Lift, 5.43 LG
0230	885523BM	1	ARM, Rear Lift, LH
0240	885382	4	WASHER, Rubber
0250	720035	1	WASHER, Spring, 1/2
0260	722453	1	SPRING, Extension

Footnotes

96cm Mower Deck - Housing, Arbors & Blades Group

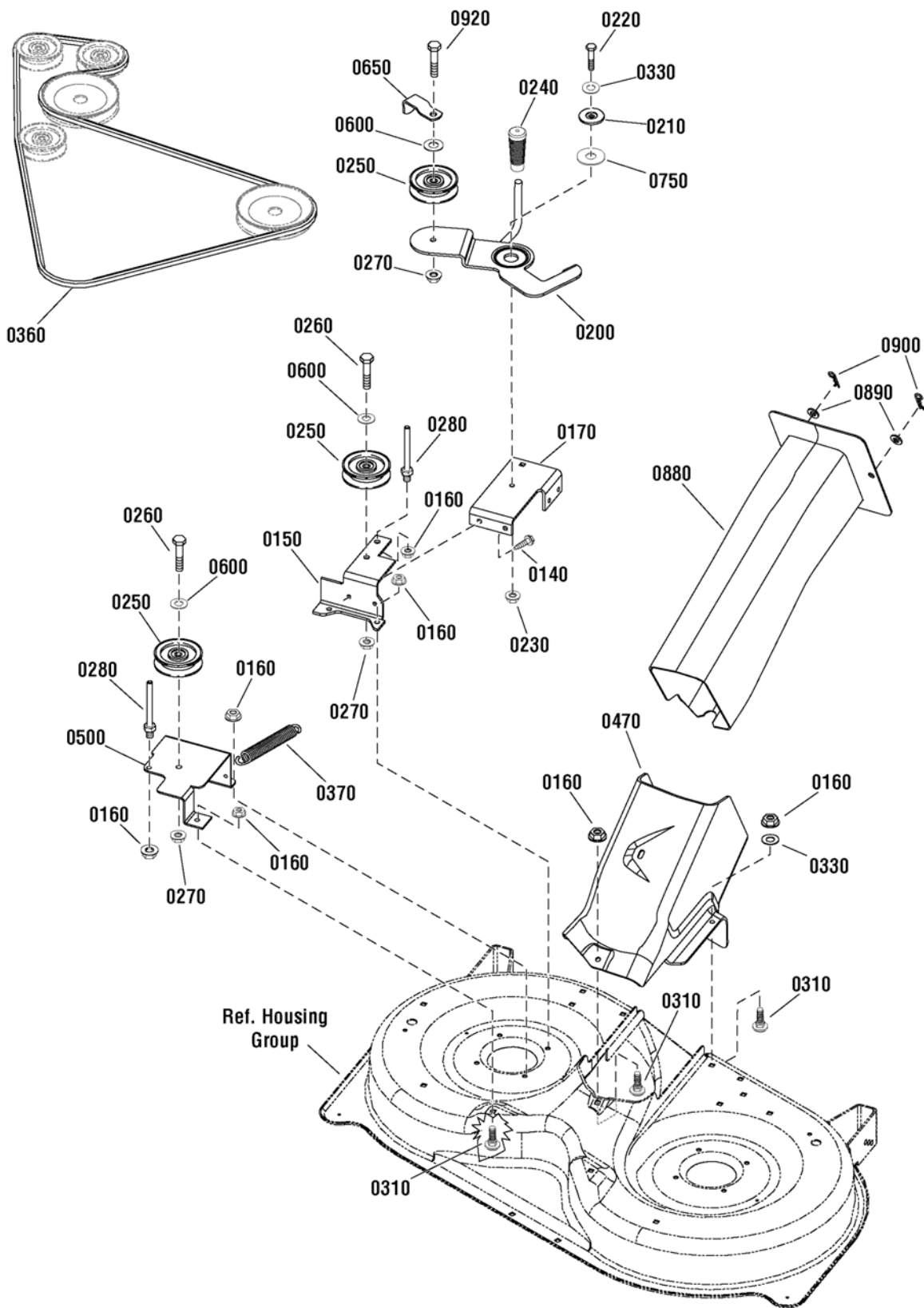


96cm Mower Deck - Housing, Arbors & Blades Group

Item	Part No	Qty	Description
0010	1735571YP	1	ARBOR ASSEMBLY
0010-10	1735573YP	1	HOUSING, Spindle
0010-20	1735399YP	2	BEARING, Ball, 20mm
0010-30	1735326YP	1	SHAFT, Spindle, LH
0010-50	1735323YP	2	SHIELD, Arbor
0010-60	1735328YP	2	SPACER, Bearing
0010-70	1960766YP	2	RING, Self Locking
0020	885551YP	1	ARBOR ASSEMBLY
0020-10	885420YP	1	SHAFT, Spindle, RH (LH Thread)
0020-20	1735323YP	2	SHIELD, Arbor
0020-30	1735328YP	2	SPACER, Bearing
0020-40	1735399YP	2	BEARING, Ball, 20mm
0020-50	1735573YP	1	HOUSING, Spindle
0020-60	1960766YP	2	RING, Self Locking
0030	1930600SM	8	CAPSCREW, Hex Washer Head, Taptite, 5/16-18 x 1-1/2
0040	1750338YP	2	SPACER, Mower Drive
0050	1758750YP	2	PULLEY
0060	1656916SM	4	WASHER, Spring, 0.475ID x 1-3/4 OD
0070	1926110SM	1	CAPSCREW, Hex Head, 7/16-14 x 2-3/4, G5
0080	703846	1	CAPSCREW, Socket Head, 7/16-14 x 2-3/4, LH
0090	1758511BMYP	1	BLADE, RH
0100	703845	1	CAPSCREW, Socket Head, 7/16-14 x 1, LH
0110	1758512BMYP	1	BLADE, LH
0120	1920676SM	1	CAPSCREW, Hex Head, 7/16-14 x 1, G5
0130	1756247YP	2	ADAPTER, Washout Port
0140	703228	2	CAPSCREW, Hex Washer Head, Taptite, 5/16-18 x 3/4
0160	703409	9	NUT, Hex Flange, Whiz Lock, 5/16-18
0590	1704314	2	FITTING, Grease
0710	709692	1	DECK ASSEMBLY
0910	7046780SM	4	PLUG, Hole
0920	1756246YP	1	CONNECTOR, Washout Port

Footnotes

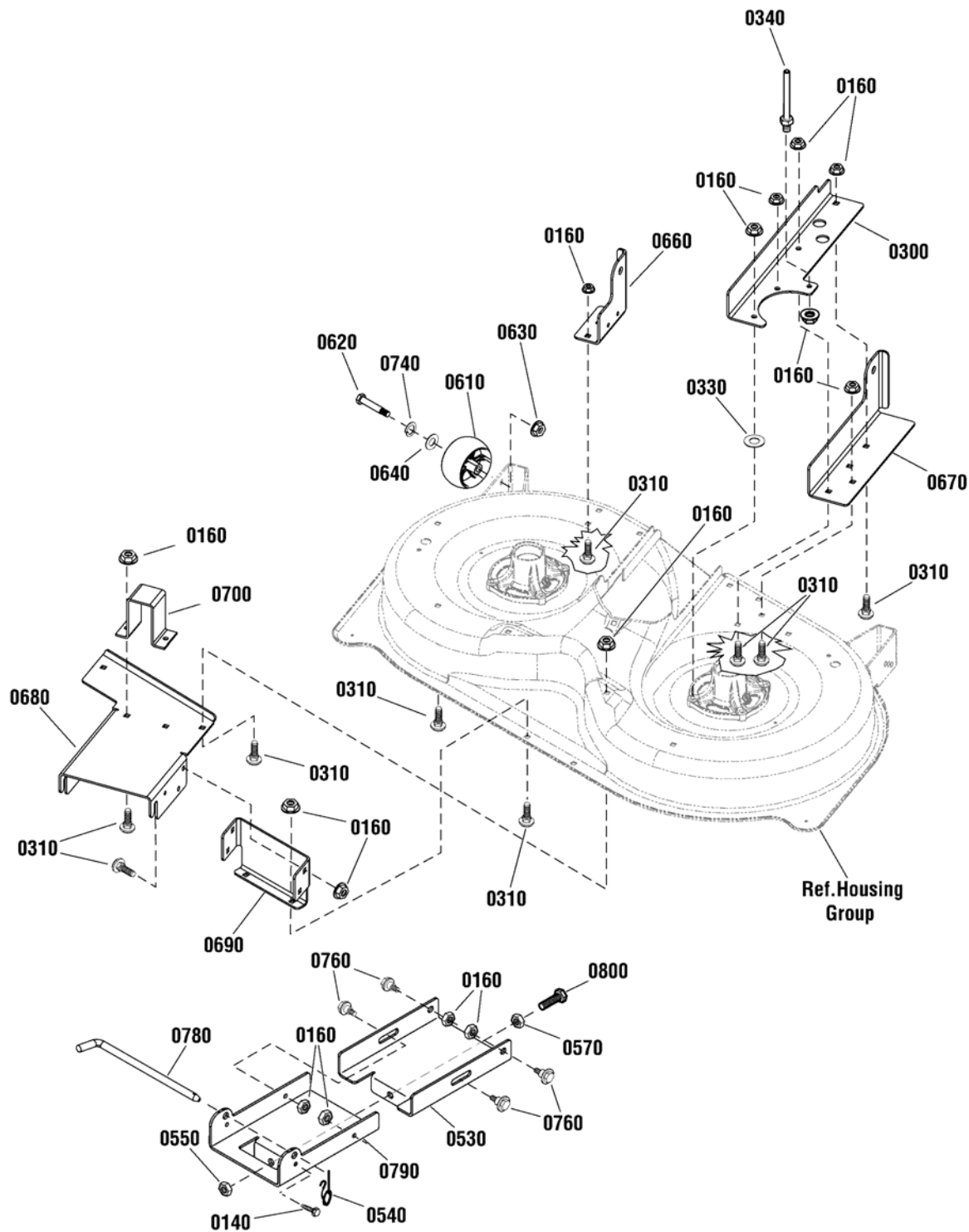
96cm Mower Deck - Clutch Group



Item	Part No	Qty	Description
0140	703228	4	CAPSCREW, Hex Washer Head, Taptite, 5/16-18 x 3/4
0150	1758773BMYP	1	BRACKET, Idler, RH
0160	703409	10	NUT, Hex Flange, 5/16-18
0170	885516AYP	1	SUPPORT, Idler Arm
0200	885559AYP	1	DECK IDLER ASSEMBLY
0210	1727935SM	1	SPACER, Pivot, 0.330ID 1.76OD
0220	703585	1	CAPSCREW, Hex Head, 5/16-18 x 1, G5
0230	704067	1	NUT, Hex Flange, Center Lock, 5/16-18
0240	1753233YP	1	GRIP, .625 Rod, Black
0250	885482YP	3	PULLEY, Deck Idler
0260	703589	3	CAPSCREW, Hex Head, 3/8-16 x 2, G5
0270	703333	3	NUT, Hex Flange, Whiz Lock, 3/8-16
0280	885534YP	2	BELT GUIDE
0310	703185	3	BOLT, Carriage, 5/16-18 x 3/4 GR5
0330	1919326SM	1	WASHER, 5/16
0330	1919326SM	4	WASHER, 5/16
0360	1758762YP	1	BELT, Deck
0370	1715435SM	1	SPRING, Extension
0470	885460YP	1	DECK, CENTER CAP
0500	885556AYP	1	BRACKET, Idler, Fixed
0600	704128	3	WASHER, Flat, 3/8
0650	1677135SM	1	GUARD, Spring
0750	885675YP	1	SHIM
0880	885461YP	1	CHUTE
0890	703853	2	WASHER, 1/2
0900	703300	2	PIN, Hair
0920	703872	1	CAPSCREW, Hex Head, 3/8-16 X 2 1/4, GR 5

Footnotes

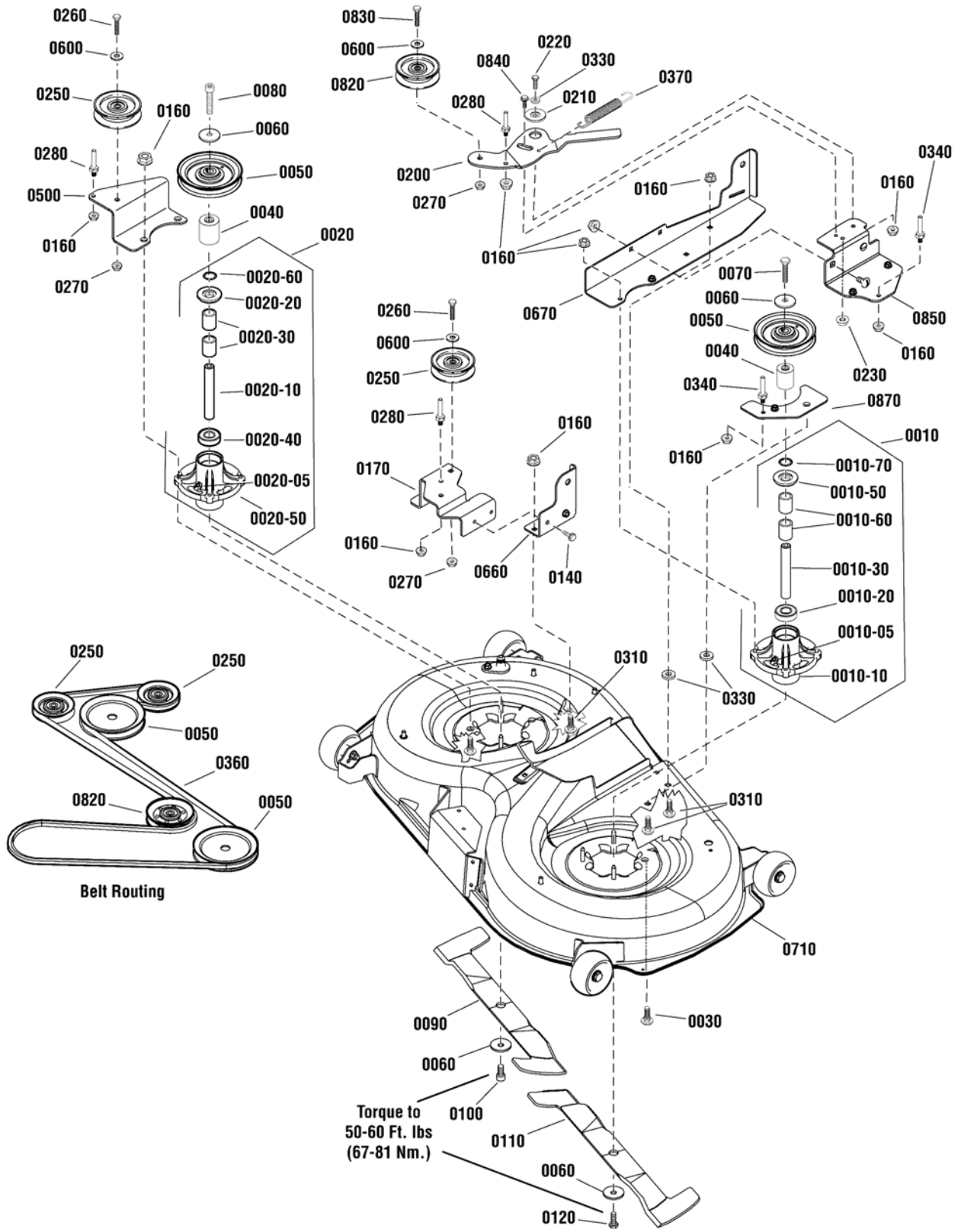
96cm Mower Deck - Support Group



Item	Part No	Qty	Description
0140	703228	2	TAPTITE, Hex Washer Head, 5/16-18 x 3/4
0160	703409	22	NUT, Hex Flange, 5/16-18
0300	1758761BMYP	1	BRACKET, Rear Lift, LH
0310	703185	15	BOLT, Carriage, 5/16-18 x 3/4, G5
0330	1919326SM	2	WASHER, 5/16
0340	1401105MA	1	GUIDE, Belt
0530	885734BMYP	1	BRACKET, Front Connector
0540	703852	1	RETAINER, Pin Spring
0550	1960379SM	1	NUT, Hex Lock, 1/2-13
0570	1913744SM	1	NUT, Hex Jam, 1/2-13
0610	1714760SM	2	WHEEL, Gauge
0620	2108765SM	2	BOLT, 3/8-16 x 2 3/4
0630	703158	2	NUT, Hex Flange, 3/8-16
0640	703853	2	WASHER, 1/2
0660	885462AYP	1	BRACKET, Deck, Rear
0670	885463AYP	1	BRACKET, Rear Lift, LH
0680	885738BMYP	1	SUPPORT, Deck Front
0690	885740BMYP	1	BRACKET, Front Support
0700	885519AYP	1	BRACKET, Front Upstop
0740	0020X3MA	2	WASHER, Spring, .30" ID
0760	1732426SM	4	BOLT, Shoulder, 5/16-18 x 13/16, 1/2" Thread Length
0780	1731414SM	1	ROD, Latch
0790	885699BMYP	1	BRACKET, Front Hanger
0800	885710YP	1	BOLT, 1/2 x 3

Footnotes

107cm Mower Deck - Housing, Arbors & Blades Group

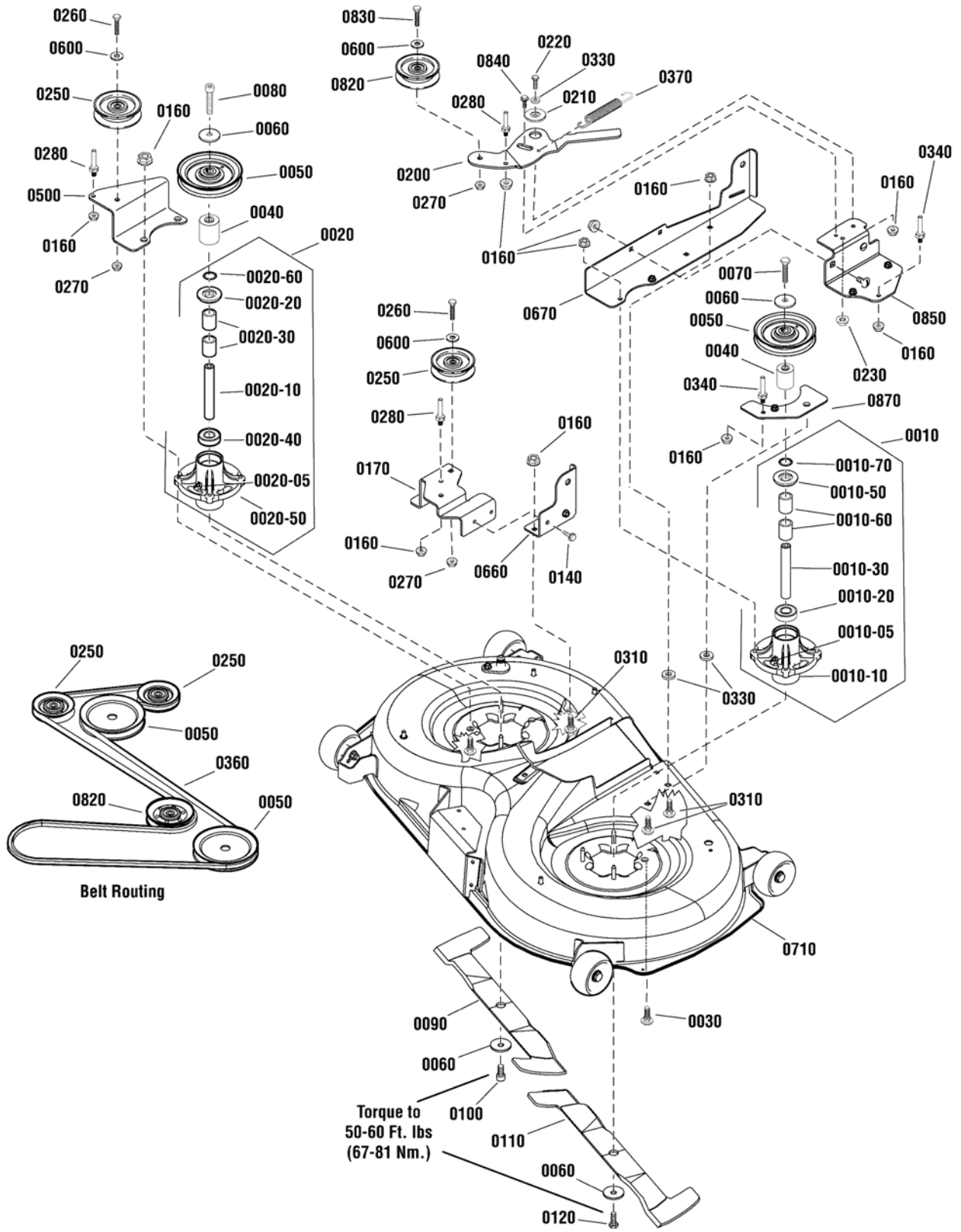


107cm Mower Deck - Housing, Arbors & Blades Group

Item	Part No	Qty	Description
0010	1735571YP	1	ARBOR ASSEMBLY
0010-05	1704314SM	2	FITTING, Lube
0010-10	1735573YP	1	HOUSING, Spindle
0010-20	1735399YP	2	BEARING, Ball
0010-30	1735326YP	1	SHAFT, Spindle
0010-50	1735323YP	2	SHIELD, Arbor
0010-60	1735328YP	2	SPACER, Bearing
0010-70	1960766YP	2	RING, Self Lock
0020	885551YP	1	ARBOR ASSEMBLY
0020-05	1704314SM	2	FITTING, Lube
0020-10	885420YP	1	SHAFT, Spindle, RH (LH Thread)
0020-20	1735323YP	2	SHIELD, Arbor
0020-30	1735328YP	2	SPACER, Bearing
0020-40	1735399YP	2	BEARING, Ball
0020-50	1735573YP	1	HOUSING, Spindle
0020-60	1960766YP	2	RING, Self Lock
0030	1930600SM	8	SCREW, Hex Washer Head, Taptite, 5/16-18 x 1-1/2
0040	1750338YP	2	SPACER, Mower Drive
0050	1758750YP	2	PULLEY
0060	1656916SM	4	WASHER, Spring, 0.475
0070	1926110SM	1	CAPSCREW, Hex Head, 7/16-14 x 2-3/4, GR5
0080	885456YP	1	CAPSCREW, Socket Head, 7/16-14 x 2-3/4
0090	1758513BMYP	1	BLADE, RH
0100	885455YP	1	CAPSCREW, Socket Head, 7/16-14 x 1
0110	1758514BMYP	1	BLADE, LH
0120	1920676SM	1	CAPSCREW, Hex Head, 7/16-14 x 1, GR5
0140	703228	2	SCREW, Thread Roll, 5/16-18 x 3/4
0160	1931277SM	17	NUT, Flange, 5/16-18, GR5
0170	885723BMYP	1	SUPPORT, Idler Arm
0200	1758759BM	1	IDLER ARM
0210	1727935SM	1	SPACER, Pivot, 5/16 ID x 1-3/4 OD
0220	001X84MA	1	CAPSCREW, Hex Head, 5/16-18 x 1, GR5
0230	015X88MA	1	NUT, Hex Flange, Center Lock, 5/16-18
0250	885482YP	2	PULLEY, Deck Idler
0260	1923701SM	2	CAPSCREW, Hex Head, 3/8-16 x 2, GR5
0270	703333	3	NUT, Hex Flange, 3/8-16
0280	885534YP	3	BELT GUIDE
0310	703185	7	BOLT, Carriage, 5/16-18 x 3/4, GR5
0330	1919326SM	3	WASHER, Flat, 5/16
0340	1401105MA	2	BELT GUIDE, LONG
0360	1758760YP	1	BELT
0370	1715435SM	1	SPRING, Extension
0500	885845BMYP	1	BRACKET, Idler, Fixed
0600	1922755SM	3	WASHER, Flat, 3/8

Footnotes

107cm Mower Deck - Housing, Arbors & Blades Group

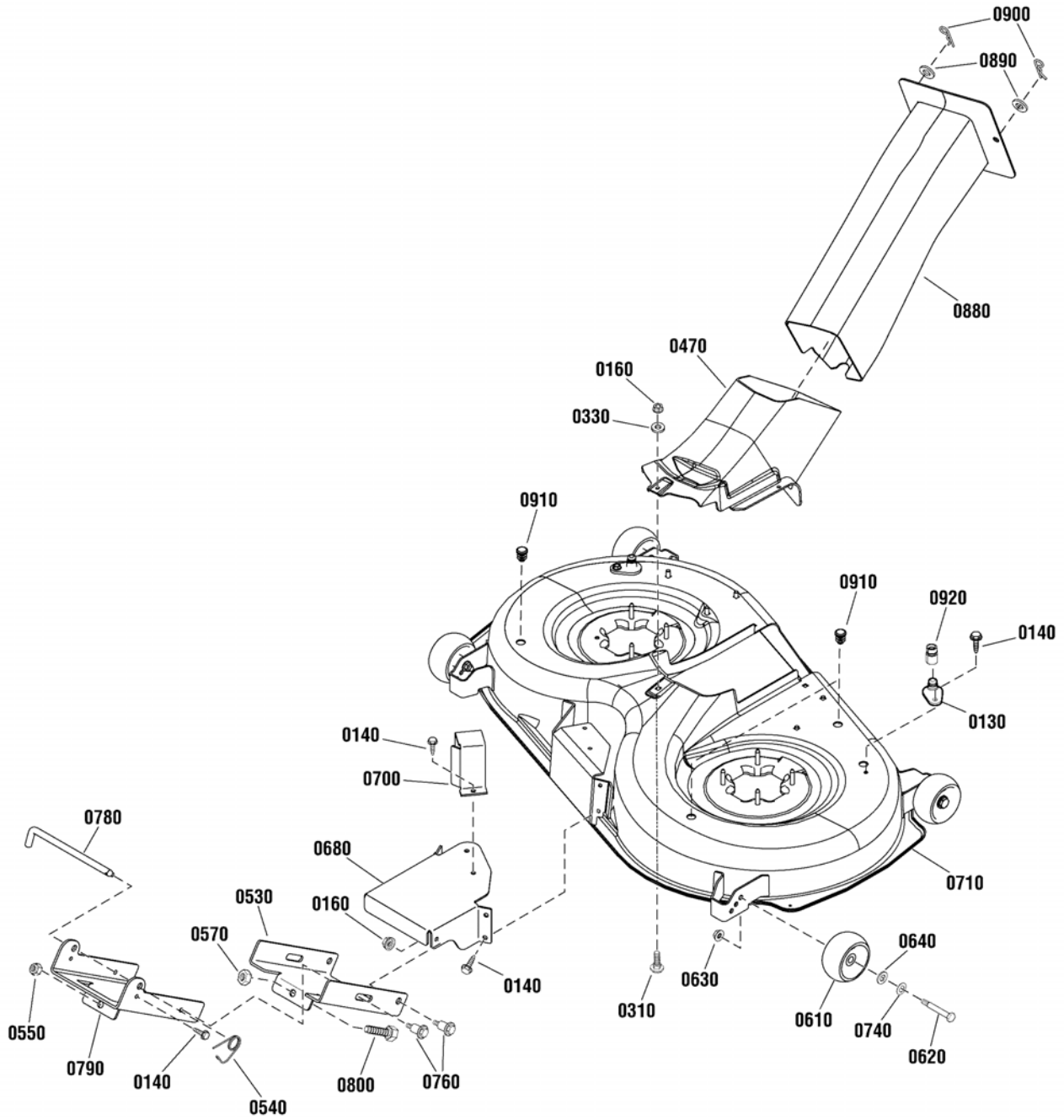


107cm Mower Deck - Housing, Arbors & Blades Group

Item	Part No	Qty	Description
0660	885720BMYP	1	BRACKET, Deck, Rear, RH
0670	885724BMYP	1	BRACKET, Deck, Rear, LH
0710	885827BMYP	1	DECK, 42" (107cm)
0820	885937YP	1	PULLEY, Idler
0830	703406	1	CAPSCREW, Hex Head, 3/8-16 x 1-1/2, G5
0840	1752802YP	1	BOLT, Shoulder, 5/16-18 x 1
0850	1758758BM	1	BRACKET, Idler Mount
0870	1758757BM	1	PLATE, Belt Guide Mount

Footnotes

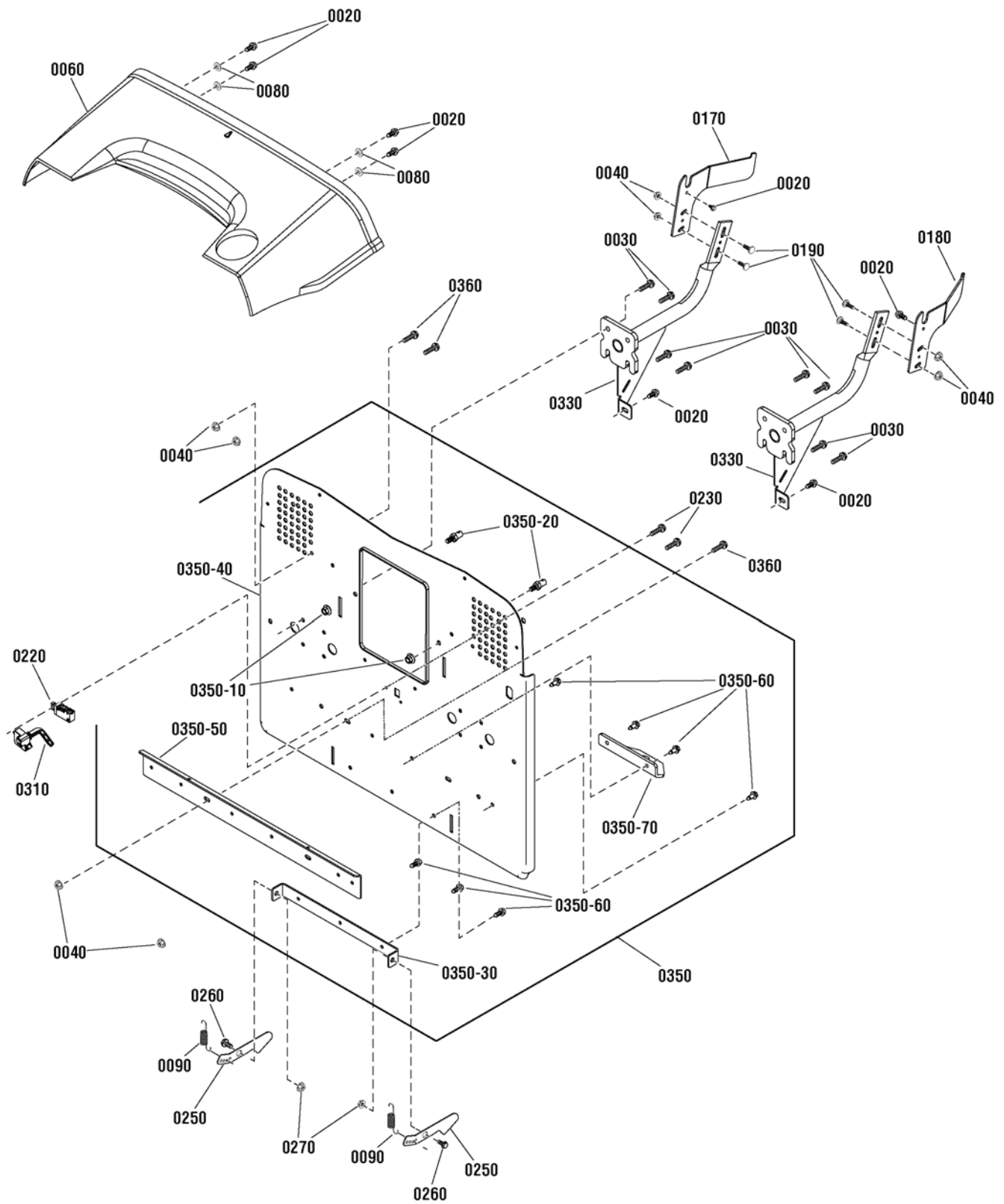
107cm Mower Deck - Support Group



Item	Part No	Qty	Description
0130	1735716YP	2	ADAPTER, Washout Port
0140	703228	9	SCREW, Thread Roll, 5/16-18 x 3/4
0160	1931277SM	7	NUT, Flange, 5/16-18, GR5
0310	703185	3	BOLT, Carriage, 5/16-18 x 3/4 GR5
0330	1919326SM	3	WASHER, Flat, 5/16
0470	885719YP	1	CENTER CAP
0530	885734BMYP	1	BRACKET, Front Connector
0540	2176012SM	1	RETAINER, Pin Spring
0550	1960379SM	1	NUT, Hex Lock, ESNA Light, 1/2-13
0570	1913744SM	1	NUT, Hex Jam, 1/2
0610	1714760SM	4	WHEEL
0620	2108765SM	4	BOLT, Wheel, 3/8-16 x 2-3/4, 3/4" Thread
0630	703158	4	NUT, Hex Flange, ESNA, 3/8-16
0640	1960170SM	4	WASHER, 1/2
0680	885727BMYP	1	SUPPORT, Front
0700	885728BMYP	1	BRACKET, Front Upstop
0710	885827BMYP	1	DECK, 42"
0740	0020X3MA	5	WASHER, Spring, 1/2
0760	1732426SM	4	BOLT, Shoulder, 5/16-18 x 1/2
0780	1731414SM	1	ROD, Latch
0790	885699BMYP	1	BRACKET, Front Hanger
0800	885710YP	1	BOLT, 1/2 x 3
0880	885769YP	1	CHUTE
0890	703853	2	WASHER, 1/2
0900	703300	2	PIN, Hair
0910	7046780SM	4	PLUG, Hole
0920	1756246YP	1	CONNECTOR, Washout Port

Footnotes

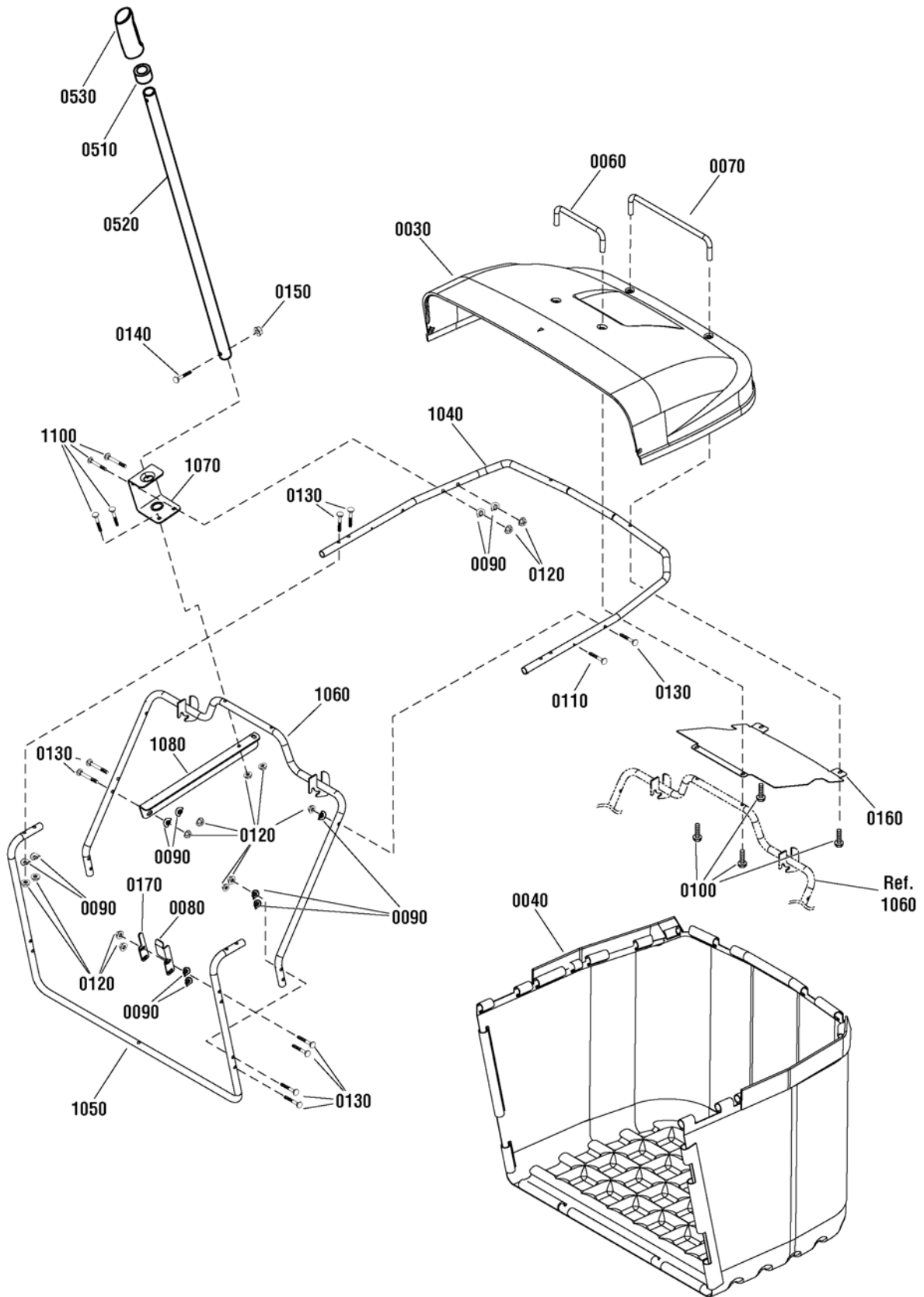
Backplate Group



Item	Part No	Qty	Description
0020	703228	8	SCREW, 5/16-18 x 3/4
0030	703167	8	SCREW, Taptite, 5/16-18 x 1-1/4
0040	703409	10	NUT, Hex Flange, Whiz Lock, 5/16-18
0060	1758498YP	1	TRANSITION PIECE
0080	1919326SM	4	WASHER, 5/16
0090	165X75MA	2	SPRING, Extension
0170	885853BMYP	1	ROTATION PLATE, RH
0180	885852BMYP	1	ROTATION PLATE, LH
0190	703185	4	BOLT, Carriage, 5/16-18 x 3/4
0220	885573YP	1	SWITCH, Bag Full
0230	880760YP	2	SCREW, Plastite, #10-14 x 7/8
0250	1758530BMYP	2	LATCH
0260	009X39MA	2	BOLT, Shoulder, 3/8-16 x 3/4
0270	703893	2	NUT, Center Lock, Flange, 3/8-16
0310	885618YP	1	COVER, Bag Full Switch
0330	1758925BMYP	2	SUPPORT, Bagger
0350	885893BMYP	1	BACK PLATE ASSEMBLY (Includes Ref. Nos. 0350-10, 0350-20, 0350-30, 0350-40, 0350-50, 0350-60 & 0350-70)
0350-10	703893	2	NUT, Center Lock Flange, 3/8-16
0350-20	704054	2	PIN, Threaded, 3/8-16 x 5/8
0350-30	885497AYP	1	BRACKET, Bagger Latch
0350-40	-----	1	BACK PLATE (Order Ref. No. 0350)
0350-50	885891BMYP	1	BRACE, Lower
0350-60	703228	7	SCREW, 5/16-18 x 3/4
0350-70	885468AYP	1	PLATE, Hitch
0360	703410	6	BOLT, 5/16-18 x 1

Footnotes

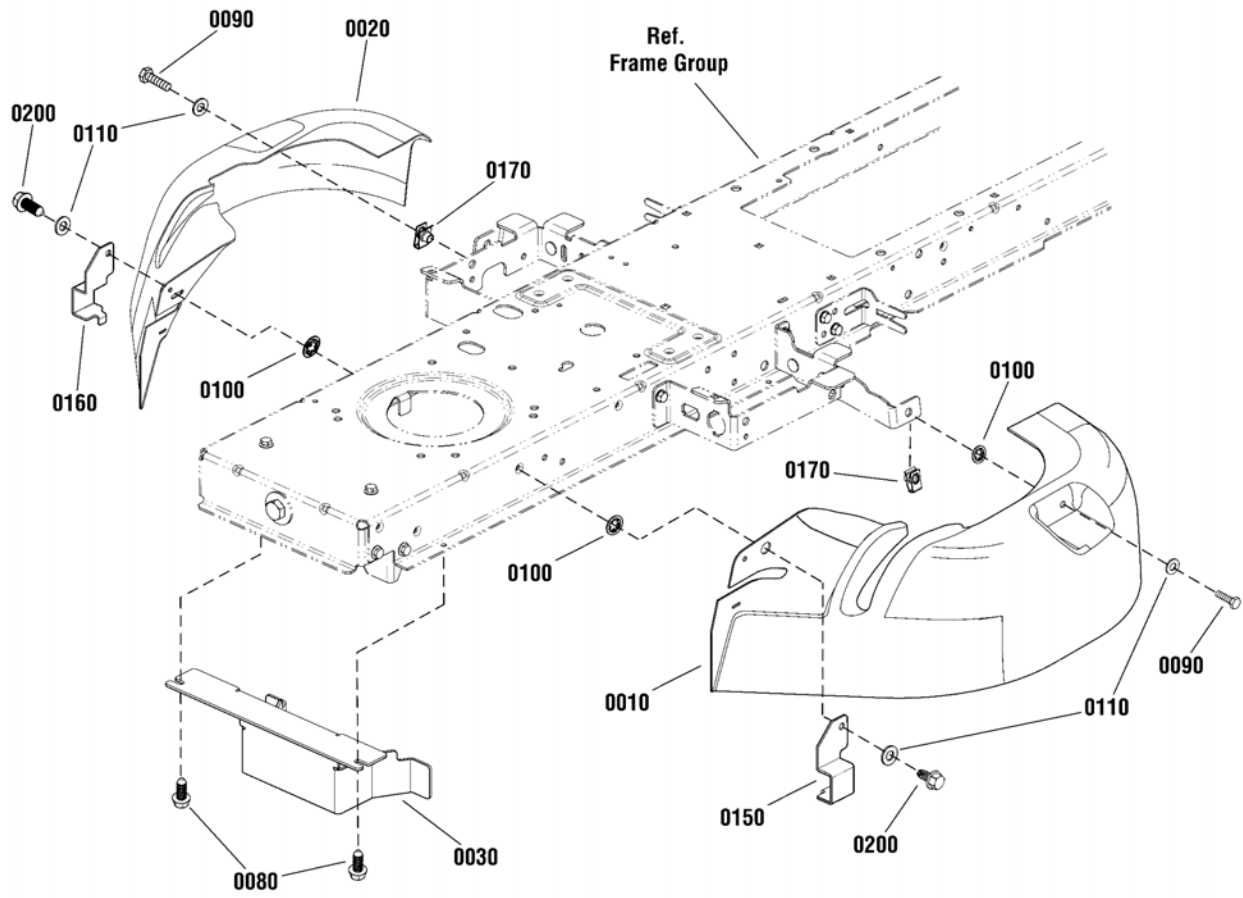
Collector Group



Item	Part No	Qty	Description
0030	1758510YP	1	COVER, Collector
0040	1758532YP	1	BAG, Collector
0060	1758751BMYP	1	HANDLE, Front
0070	885430AYP	1	HANDLE, Back
0080	1758781BMYP	1	SWITCH PLATE
0090	880615YP	16	WASHER
0100	706884	4	SCREW , Hex Washer Head, 1/4-20 x 1-1/2
0110	885564YP	2	SCREW, Torx, 1/4-20
0120	703115	18	NUT, Flange Nylock, 5/16-18
0130	706883	12	SCREW, 5/16-18 x 2
0140	001X94MA	1	BOLT, Hex, 1/4-20 x 1-1/4
0150	015X89MA	1	NUT, Hex Flange, 1/4-20
0160	1758926BMYP	1	SHIELD, Collector
0170	1759350BMYP	1	REINFORCEMENT, Switch Plate
0510	885433YP	1	ADJUSTER, Handle
0520	885518AYP	1	HANDLE, Bagger
0530	1723359SM	1	GRIP
1040	1758255BMYP	1	FRAME, Bagger Support, Upper
1050	1758256BMYP	1	FRAME, Bagger Support, Front
1060	1758329BMYP	1	FRAME, Bagger Support
1070	1758357BMYP	1	SUPPORT, Dump Handle
1080	1758659BMYP	1	BRACKET Dump Handle
1100	703296	4	BOLT, Carriage, 5/16-18 x 1-1/2

Footnotes

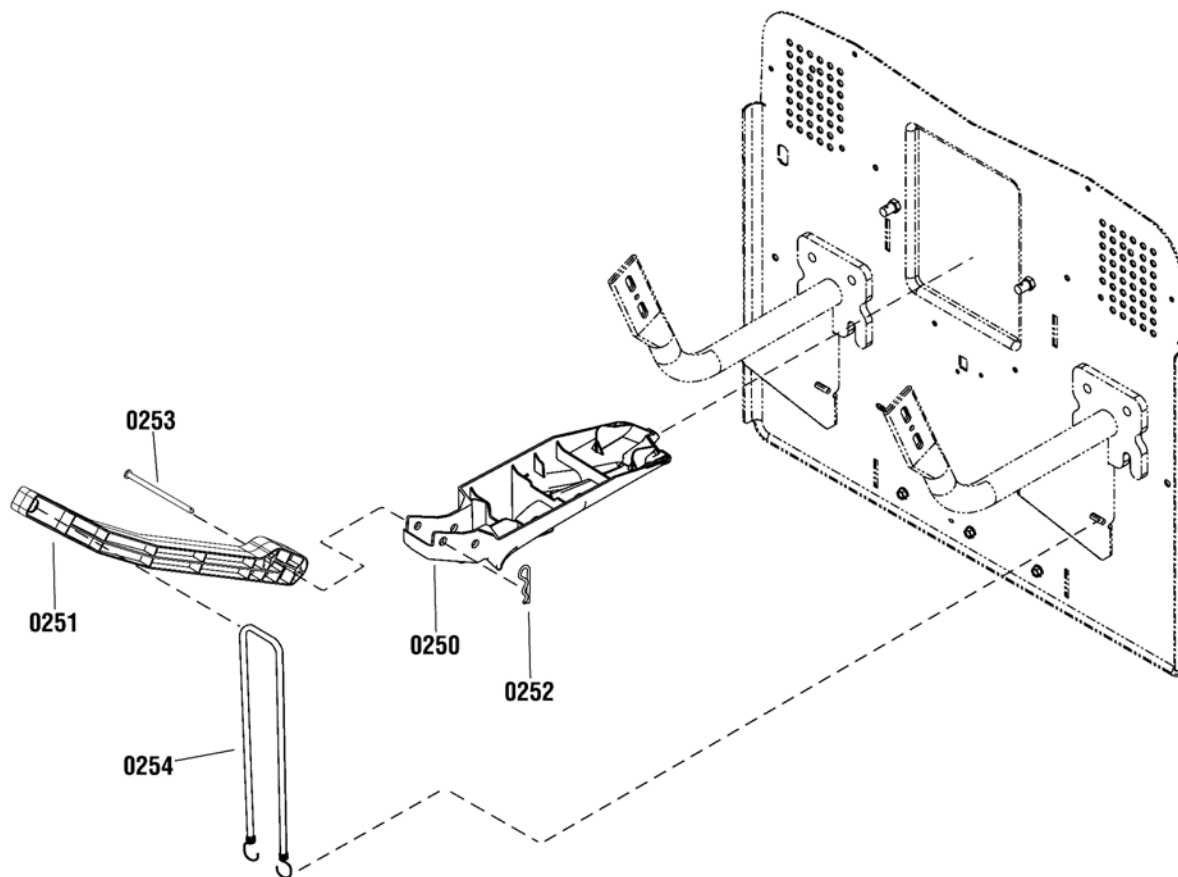
Bystander Guard Group



Item	Part No	Qty	Description
0010	1759737YP	1	GUARD, Front, LH
0020	1759738YP	1	GUARD, Front, RH
0030	171760155CJYP	1	GUARD, Clutch
0080	703228	2	SCREW, Taptite, 5/16-18 x 3/4
0090	703408	2	CAPSCREW, 5/16-18 x 7/8
0100	703297	4	RETAINER, 5/16 x 5/8
0110	703350	4	WASHER, Flat, 5/16
0150	1759985BMYP	1	SUPPORT, Guarding, LH
0160	1759989BMYP	1	SUPPORT, Guarding, RH
0170	1935255SM	2	NUT, Speed, 5/16-18
0200	704146	2	SCREW, Hex Taptite, 5/16-18 x 1

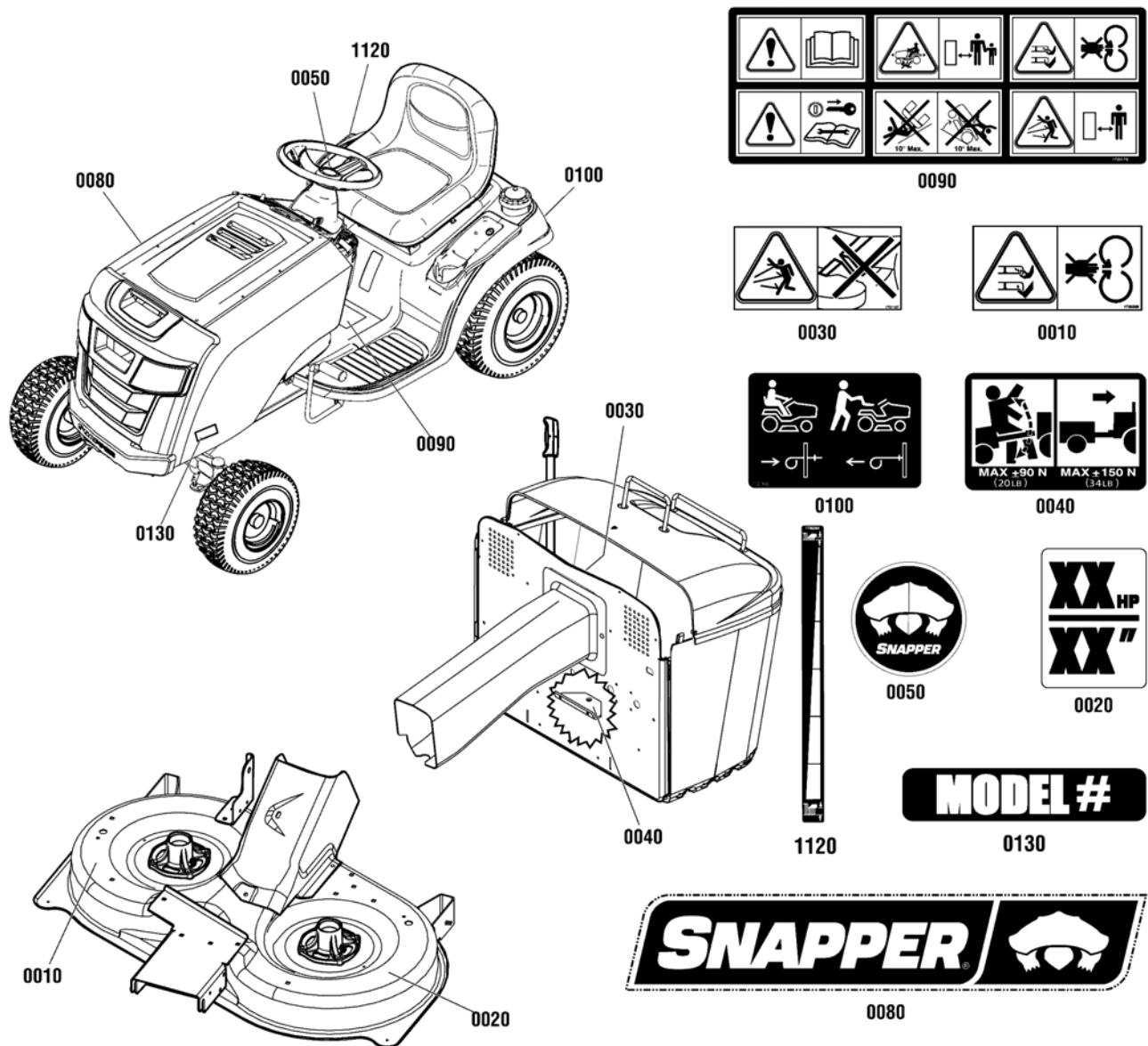
Footnotes

Mulch Plug Group



Item	Part No	Qty	Description
0250	885642YP	1	PLUG, Mulch, 96cm (38")
0250	885960YP	1	PLUG, Mulch, 107cm (42")
0251	885643YP	1	HANDLE, Mulch Plug
0252	885647YP	2	PIN, Clevis, 3/8
0253	703300	2	PIN, Hair Pin
0254	885648YP	1	CORD, Retainer

Footnotes



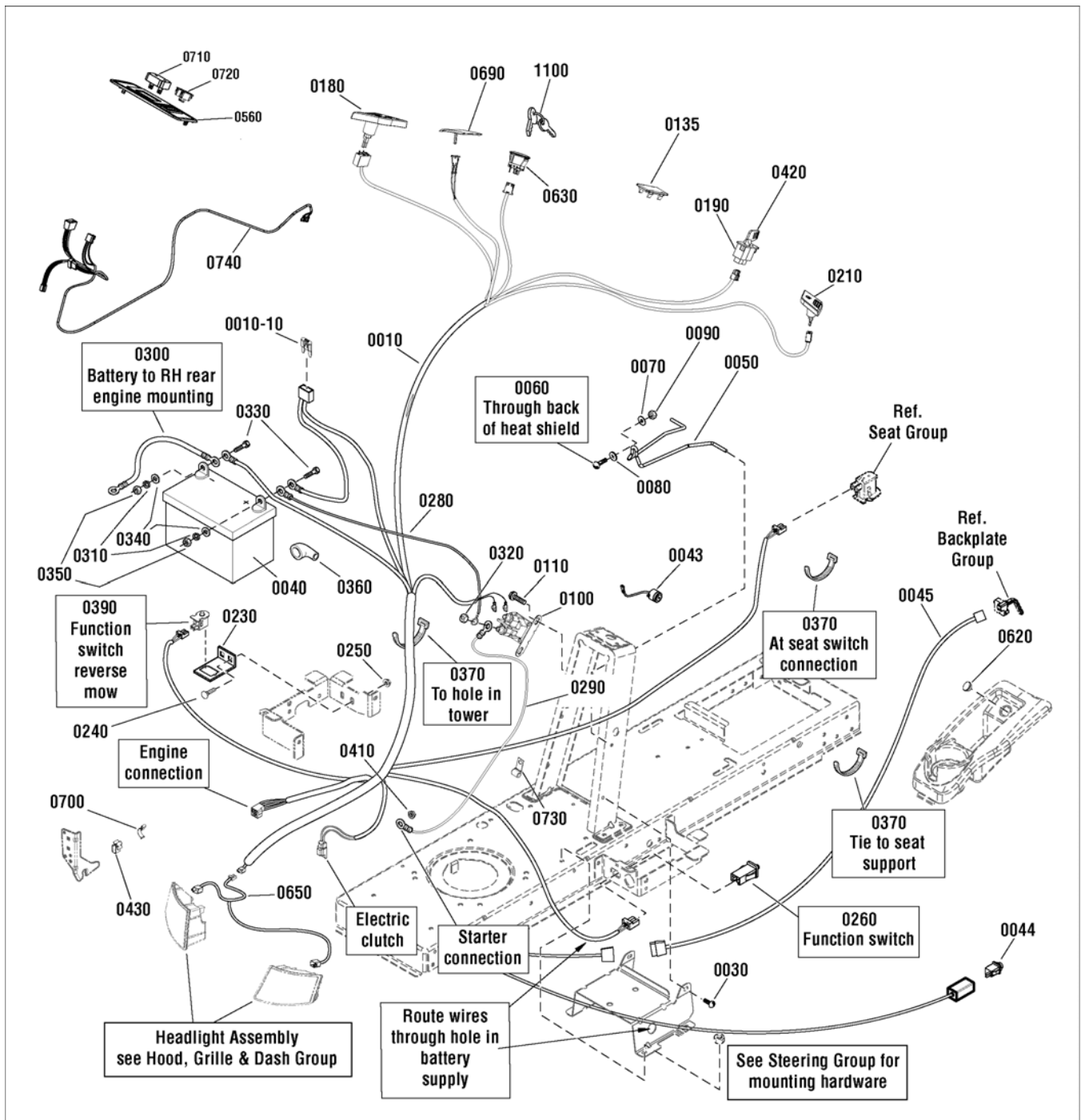
Item	Part No	Qty	Description
0010	1720389SM	2	DECAL, Danger Rotation Blade Symbols
0020	1755715YP	1	DECAL, Cutting Width, 38" (96cm)
0020	1755716YP	2	DECAL, Cutting Width, 42" (107cm)
0030	1721107SM	1	DECAL, Discharge Tube Symbols
0040	48X511MA	1	DECAL, Drawbar Warning Symbol
0050	1739085YP	1	DECAL, Steering Wheel
0080	1751632YP	2	DECAL, Logo, Hood
0090	1750191YP	1	DECAL, Tunnel
0100	7101935YP	1	DECAL, Roll Release
0130	1758797YP	1	DECAL, Model, RPX100
0130	1758823YP	1	DECAL, Model, RPX200
0130	1758782YP	1	DECAL, Model, RXT300
1120	1730264SM	1	DECAL, Height of Cut

Footnotes

Item	Part No	Qty	Description
0010	1758527YP	1	WIRING HARNESS
0010-10	-----	1	* FUSE, 20 Amp
0030	703949	2	CAPSCREW, Hex Washer Head, Taptite, 5/16-18 x 5/8
0040	-----	1	BATTERY, 7U1L
0043	1758779YP	1	BUZZER, Bag Full
0044	1001845MA	1	SWITCH, Bagger
0045	885692YP	1	HARNESS, Bag Full
0050	1730007SM	1	HOLD DOWN, Battery
0060	1931318SM	1	BOLT, Carriage, 1/4-20 x 7/8
0070	703229	1	WASHER, Flat, 1/4
0080	703826	1	PUSHNUT, 1/4
0090	703232	1	NUT, Nylock, 1/4-20
0100	1755381YP	1	SOLENOID
0110	704130	2	CAPSCREW, Hex Head, 1/4-20 x 1/2
0135	1722611SM	1	PLUG, Hole
0180	1738982YP	1	SWITCH, PTO
0190	1726556SM	1	SWITCH, Reverse Mow
0210	1738983YP	1	SWITCH, Light
0230	1728026BMYP	1	SUPPORT, RMO Switch
0240	703185	2	BOLT, Carriage, 5/16-18 x 3/4, GR5
0250	703409	2	NUT, Hex Flange, Whiz Lock, 5/16-18
0260	7022886YP	1	SWITCH, Push Button (NO/NC)
0280	1752685YP	1	BATTERY CABLE
0290	1751450YP	1	CABLE, #8 x 25
0300	1752686YP	1	CABLE, #8 x 26.0
0310	704133	2	LOCKWASHER, Split, 1/4
0320	2860750SM	2	NUT, Hex Lock, KEPS, 5/16-24
0330	703925	2	CAPSCREW, Hex Head, 1/4-20 x 3/4, GR5
0340	703332	2	WASHER, Flat
0350	703127	2	NUT, Hex, 1/4-20, GR5
0360	1677296SM	1	BOOT, Insulation
0370	703586	8	TIE, Self Lock
0390	1732004SM	1	SWITCH, Push Button (NO)
0410	703233	1	NUT, Flange, Serrated, 1/4-20, GR5
0420	1726557SM	2	KEY, No Mow
0430	2172434SM	2	CLIP, Wire
0560	1758831YP	1	PLUG, Dash (Use with Incandescent Lights)
0560	1758656YP	1	PLUG, Dash (Use with LED Lights)
0620	1732007SM	1	PLUG, Hole
0630	7106169YP	1	SWITCH, Ignition
0650	706123	1	HARNESS, Headlight (Use with Incandescent Lights)
0650	1751941YP	1	HARNESS, Headlight (Use with LED Lights)
0690	1753240YP	1	PLUG, Starter Insert
0700	703176	1	CLIP, Wire

Footnotes

Note* See your local hardware store for replacement fuses.



Item	Part No	Qty	Description
0710	1731185SM	1	HOUR METER (Use with Incandescent Lights)
0710	1758654YP	1	HOUR METER (Use with LED Lights)
0720	1758683YP	1	FUEL GAUGE
0730	7012652YP	1	CLIP, Wire, 7/16
0740	1758739YP	1	HARNESS, Jumper
1100	1737837YP	1	KEY, Ignition, Blister Pack

Footnotes

Note* See your local hardware store for replacement fuses.

Hardware Identification & Torque Specifications

Torque Specification Chart								
FOR STANDARD METRIC MACHINE HARDWARE (Tolerance ± 20%)								
Property Class	5.6		8.8		10.9		12.9	
	Class 5.6		Class 8.8		Class 10.9		Class 12.9	
Size Of Hardware	in/lbs		in/lbs		in/lbs		in/lbs	
	ft/lbs	Nm.	ft/lbs	Nm.	ft/lbs	Nm.	ft/lbs	Nm.
M3	5.88	.56	13.44	1.28	19.2	1.80	22.92	2.15
M4	13.44	1.28	30.72	2.90	43.44	4.10	52.56	4.95
M5	26.4	2.50	60.96	5.75	5.97	8.10	7.15	9.7
M6	44.64	4.3	7.3	9.9	10.3	14	12.1	16.5
M7	5.2	7.1	12.1	16.5	16.9	23	19.9	27
M8	7.7	10.5	17.7	24	25	34	29	40
M10	15	21	35	48	50	67	59	81
M12	26	36	61	83	86.2	117	103	140
M14	42	58	101	132	136	185	162	220
M16	64	88	147	200	210	285	250	340
M18	89	121	202	275	287	390	346	470
M20	126	171	290	390	405	550	486	660
M22	169	230	390	530	559	745	656	890
M24	217	295	497	375	708	960	840	1140
M27	320	435	733	995	1032	1400	1239	1680
M30	435	590	995	1350	1401	1900	1681	2280
M33	590	800	1349	1830	1902	2580	2278	3090
M36	759	1030	1740	2360	2441	3310	2935	3980
M39	988	1340	2249	3050	3163	4290	3798	5150

Torque Specification Chart						
FOR STANDARD MACHINE HARDWARE (Tolerance ± 20%)						
Hardware Grade	No Marks		SAE Grade 5		SAE Grade 8	
	SAE Grade 2		SAE Grade 5		SAE Grade 8	
Size Of Hardware	in/lbs		in/lbs		in/lbs	
	ft/lbs	Nm.	ft/lbs	Nm.	ft/lbs	Nm.
8-32	19	2.1	30	3.4	41	4.6
8-36	20	2.3	31	3.5	43	4.9
10-24	27	3.1	43	4.9	60	6.8
10-32	31	3.5	49	5.5	68	7.7
1/4-20	66	7.6	8	10.9	12	16.3
1/4-28	76	8.6	10	13.6	14	19.0
5/16-18	11	15.0	17	23.1	25	34.0
5/16-24	12	16.3	19	25.8	29	34.0
3/8-16	20	27.2	30	40.8	45	61.2
3/8-24	23	31.3	35	47.6	50	68.0
7/16-14	30	40.8	50	68.0	70	95.2
7/16-20	35	47.6	55	74.8	80	108.8
1/2-13	50	68.0	75	102.0	110	149.6
1/2-20	55	74.8	90	122.4	120	163.2
9/16-12	65	88.4	110	149.6	150	204.0
9/16-18	75	102.0	120	163.2	170	231.2
5/8-11	90	122.4	150	204.0	220	299.2
5/8-18	100	136	180	244.8	240	326.4
3/4-10	160	217.6	260	353.6	386	525.0
3/4-16	180	244.8	300	408.0	420	571.2
7/8-9	140	190.4	400	544.0	600	816.0
7/8-14	155	210.8	440	598.4	660	897.6
1-8	220	299.2	580	788.8	900	1,244.0
1-12	240	326.4	640	870.4	1,000	1,360.0

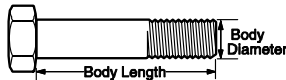
The guides and ruler furnished below are designed to help you select the appropriate hardware.



Nut, M8

Thread Diameter (mm)
Inside Diameter (in) Threads per inch

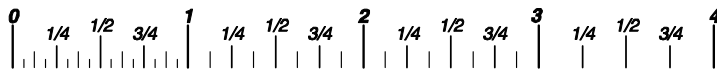
Nut, 1/2-16



Screw, M8- 1.25 x 25

Thread Diameter (mm) Distance between threads (mm) Body Length (mm)
Body Diameter Threads per inch Body Length (in)

Screw, 1/2- 16 x 2



Standard Hardware Sizing

When a washer or nut is identified as 1/2" (M8), this is the *Nominal size*, meaning the *inside diameter* is 1/2 inch (8mm metric thread diameter); if a second number is present it represents the *threads per inch* (distance between threads).

When bolt or capscrew is identified as 1/2 - 16 x 2" (M8 - 1.25 x 50), this means the *Nominal size*, or body diameter is 1/2 inch (8mm metric thread diameter), the second number, 16, represents the *threads per inch*, (1.25 thread diameter). The final number is the body length of the bolt or screw, 2 inches (50mm).

NOTES

- These torque values are to be used for all hardware excluding: locknuts, self-tapping screws, thread forming screws, sheet metal screws and socket head setscrews.
- Recommended seating torque values for locknuts:
 - for prevailing torque locknuts - use 65% of grade 5 torques.
 - for flange whizlock nuts and screws - use 135% of grade 5 torques.
- Unless otherwise noted on assembly drawings, all torque values must meet this specification.

Common Hardware Types

Hex Head Capscrew



Washer



Carriage Bolt



Lockwasher



Hex Nut



Wrench & Fastener Size Guide

1/4" Bolt or Nut Wrench—7/16"	5/16" Bolt or Nut Wrench—1/2"	3/8" Bolt or Nut Wrench—9/16"	7/16" Bolt or Nut Wrench (Bolt)—5/8" Wrench (Nut)—11/16"	1/2" Bolt or Nut Wrench—3/4"
M6 Bolt or Nut Wrench—10mm	M8 Bolt or Nut Wrench—13mm	M10 Bolt or Nut Wrench—17mm	M12 Bolt or Nut Wrench—19mm	M14 Bolt or Nut Wrench—22mm

Parts Manual for

SNAPPER®

96cm & 107cm EUROPEAN HYDRO DRIVE TRACTOR RPX SERIES

IT IS THE POLICY OF BRIGGS & STRATTON CORP TO IMPROVE ITS PRODUCTS WHENEVER IT IS POSSIBLE AND PRACTICAL TO DO SO. WE RESERVE THE RIGHT TO MAKE CHANGES OR ADD IMPROVEMENTS AT ANY TIME WITHOUT INCURRING ANY OBLIGATION TO MAKE SUCH CHANGES ON PRODUCTS

Briggs & Stratton Yard Power Products Group

535 Macon Road
McDonough, GA, 30253 U.S.A.
800-935-2967

www.snapper.com

Copyright © 2016 Briggs & Stratton Corporation
Milwaukee, WI USA. All Rights Reserved

Manual No. 1759569

Revision: A 2/15/2016