

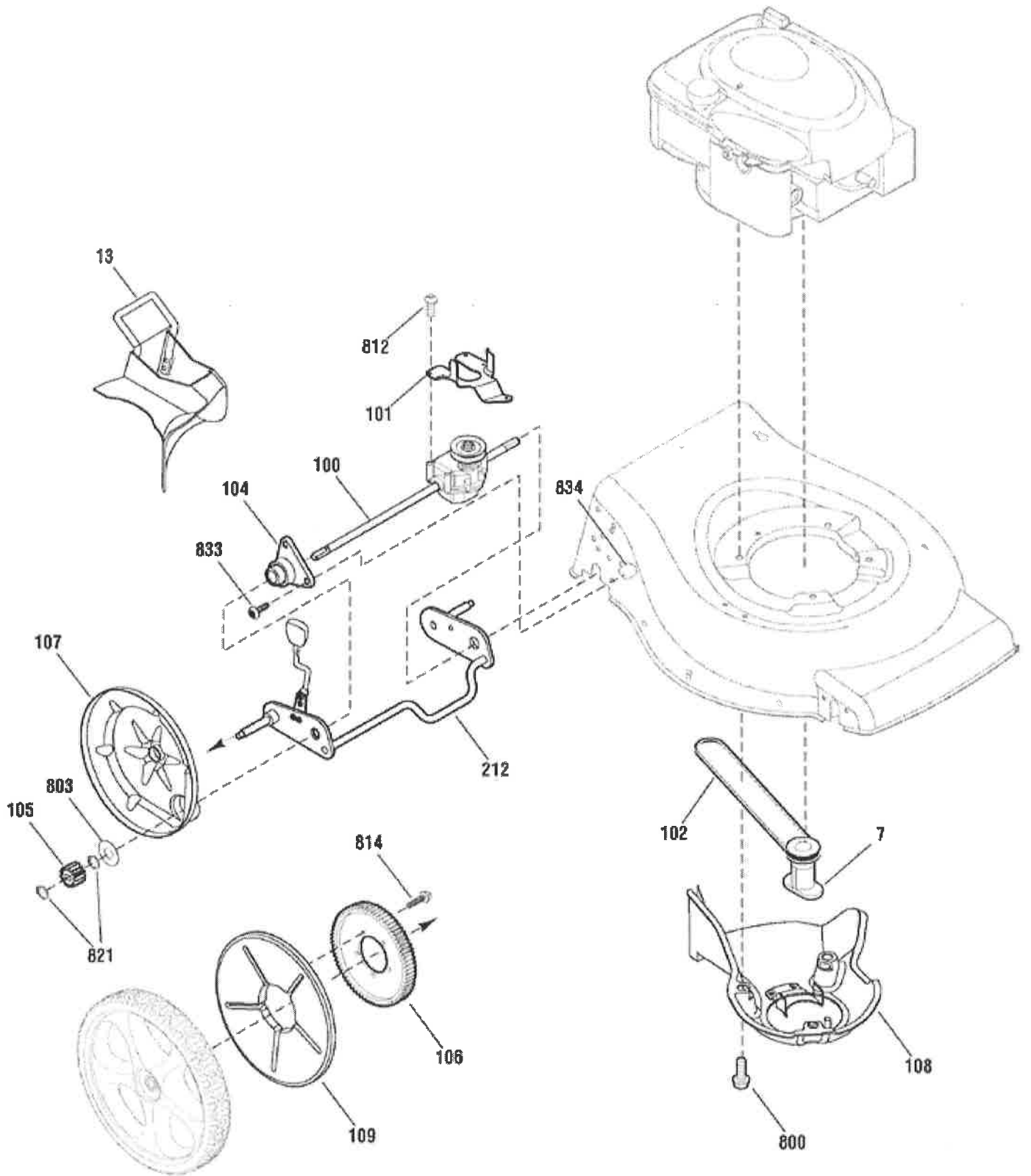
Supercessions Ref #	Part #	Description	Qty	Context	Note	Foot Note	UOM
1	122T02-1797-B1	* ENGINE, 6.25TP 625 Series Briggs & Stratton	1	(Engine Model: 122T02- 1797-B1)	Note* To verify your specific engine model, please reference the ID Tag located on your engine. See your local Briggs & Stratton distributor for parts and service.		
1	122T02-5797-H1	* ENGINE, 6.25TP 625 Series Briggs & Stratton	1	(Engine Model: 122T02- 5797-H1)	Note* To verify your specific engine model, please reference the ID Tag located on your engine. See your local Briggs & Stratton distributor for parts and service.		
1	124L02-0167-F1	* ENGINE, 6.5TP 650 Series Briggs & Stratton	1	(Engine Model: 124L02- 0167-F1)	Note* To verify your specific engine model, please reference the ID Tag located on your engine. See your local Briggs & Stratton distributor for parts and service.		
1	121R02-0110-F1	* ENGINE, 8.5TP 850 Series Briggs & Stratton	1	(Engine Model: 121R02- 0110-F1)	Note* To verify your specific engine model, please reference the ID Tag located on your engine. See your local Briggs & Stratton distributor for parts and service.		
1	122R02-0119-B1	* ENGINE, 8.5TP 850 Series, Briggs & Stratton	1	(Engine Model: 122R02- 0119-B1)	Note* To verify your specific engine model, please reference the ID Tag located on your engine. See your local Briggs & Stratton distributor for parts and service.		
1	122R02-0123-B1	* ENGINE, 8.5TP 850 Series, Briggs & Stratton	1	(Engine Model: 122R02- 0123-B1)	Note* To verify your specific engine model, please reference the ID Tag located on your engine. See your local Briggs &		

1	122R02-0126-H1	* ENGINE, 8.5TP 850 Series, Briggs & Stratton	1	(Engine Model: 122R02- 0126-H1)	Stratton distributor for parts and service. Note* To verify your specific engine model, please reference the ID Tag located on your engine. See your local Briggs & Stratton distributor for parts and service.
2	881116BIYP	MOWER HOUSING	1	(Includes Ref. Nos. 300 & 302)	
3	880951AYP	BRACKET ASSEMBLY, L.H.	1		
4	880950AYP	BRACKET ASSEMBLY, R.H.	1		
6	880638YP	BLADE, 19"	1		
7	880567YP	BLADE ADAPTER ASSEMBLY	1		
8	880671YP	DOOR, Rear	1		
9	880214YP	ROD, Rear Door	1		
10	880942YP	SPRING, Torsion Rear Door, R.H.	1		
11	880941BNYP	FRAME ASSEMBLY	1	(Red)	
11	880941ZYP	FRAME ASSEMBLY	1	(Black)	
11	880941BIYP	FRAME ASSEMBLY	1	(Graphite)	
12	880938YP	BAG ASSEMBLY	1		
13	880943YP	SPRING, Torsion Rear Door, L.H.	1		
50	881108YP	SIDE GUARD, R.H.	1	(Silver)	
50	881156YP	SIDE GUARD,	1	(Green)	

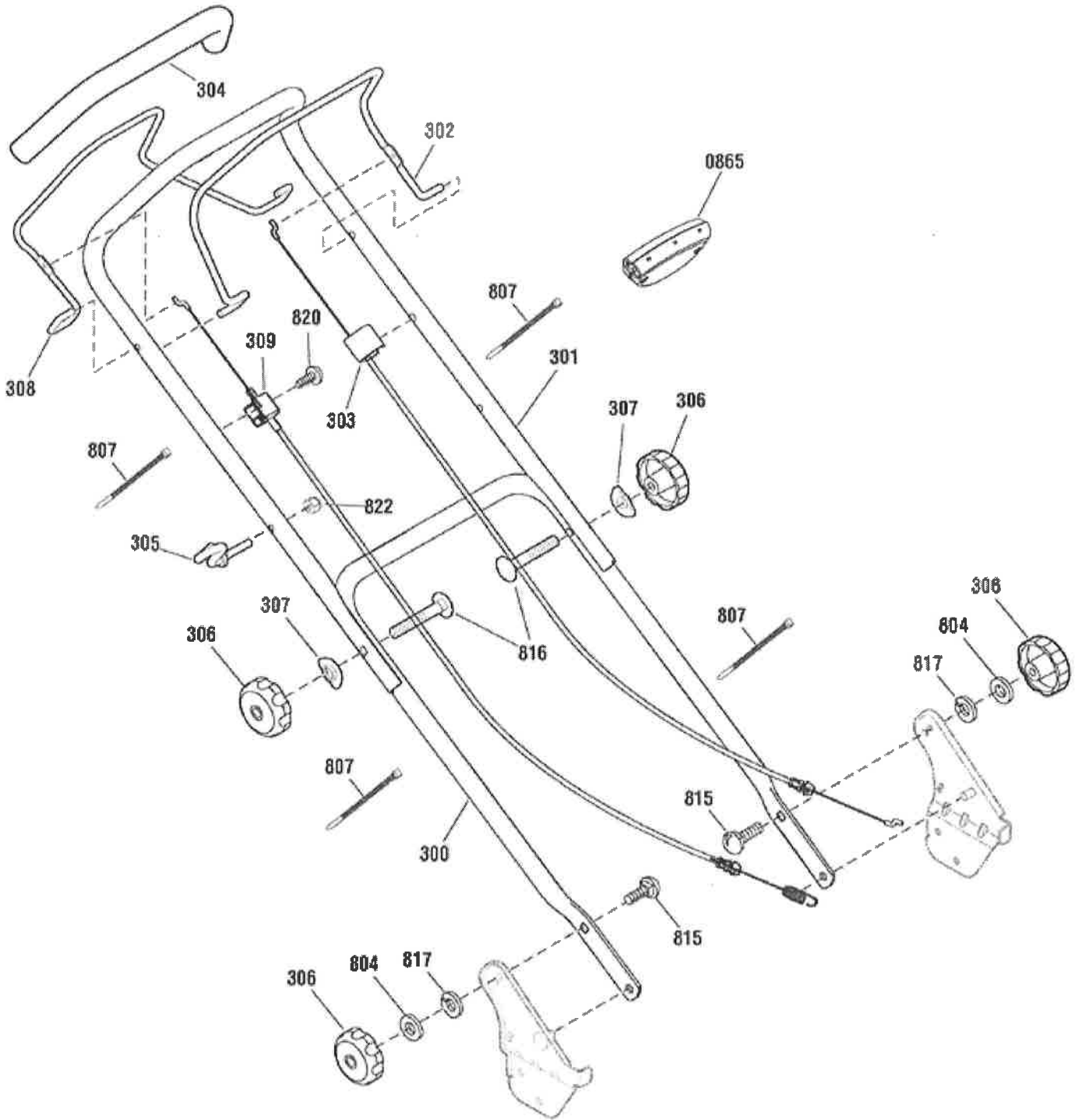
		R.H.		
		SIDE		
51	881111YP	GUARD,	1	(Silver)
		L.H.		
		SIDE		
51	881155YP	GUARD,	1	(Green)
		L.H.		
200	880695YP	WHEEL, Rear	1	
201	880700YP	HUBCAP, Rear	1	
202	880707YP	WHEEL, Front	1	
203	880701YP	HUBCAP, Front	1	
206	880550YP	CROSSBAR ASSEMBLY, Front	1	
208	880050YP	BUSHING, Front Crossbar	1	
209	881163YP	SPRING, Clip Crossbar	1	
210	881174BIYP	LINK, Single Lever, High Wheel	1	
211	880052YP	SPRING, Extension	1	
213	880855BIYP	REAR CROSSBAR	1	
214	880642YP	SPRING, Adjuster	1	
215	880540YP	LEVER, Height Adjustment	1	
216	881059YP	KNOB, Adjuster	1	(Red)
216	881148YP	KNOB, Adjuster	1	(Green)
217	880959YP	BRACKET, Height Adjuster	1	
300	880784BIYP	BAFFLE, Front, 19"	1	

301	880785YP	BAFFLE, Rear, 19"	1	
302	880664YP	SCREW, Pan Head, Taptite, 1/4-20 x 1/2	5	
303	880804YP	SCREW, Pan Head, Taptite, 1/4-15 x 5/8	5	
304	790846YP	SHROUD, With Label	1	(Used on 6.25TP engine)
305	691138	CAPSCREW, Hex Washer Head	2	
800	0025X6MA	CAPSCREW, Hex Head, 3/8-16 x 1	1	
801	880034YP	BOLT, Blade, 3/8-24 x 2	1	
802	1101989MA	WASHER, Belleville	1	
804	7026257MA	WASHER, Wave	1	
805	880020YP	NUT, Nylock, M8 x 1-1/4	1	
808	015X84MA	NUT, Flange, 3/8-16	1	
810	880323YP	BOLT, Hex Key Head	1	
811	880428YP	NUT, Nylock	1	
819	880577YP	SCREW, Torx Head, M5 x .8 x 12.5mm	2	
813	880339YP	SCREW, Torx Head, M5 x .8 x 14mm	1	
818	7091020YP	PUSHNUT, 1/4	2	
823	880651YP	BOLT, Shoulder, 5/16-18 x 1	1	
824	015X88MA	NUT, Flange, 5/16-18	1	

830	48901MA	CAPSCREW , 5/16-18 x 3/4	1
1000	700303YP	DECAL KIT	1



Supercessions	Ref #	Part #	Description	Qty	Context	Note	Foot	Note	UOM
	7	880567YP	BLADE ADAPTER ASSEMBLY	1					
	13	880909YP	MULCH PLUG	1					
	100	880604YP	TRANSMISSION	1					
	101	880282YP	BELT GUIDE, Transmission	1					
	102	880268YP	V-BELT	1					
	104	880787YP	SLEEVE ASSEMBLY, Rear Axle	1					
	105	880527YP	GEAR, Pinion	1					
	106	880526YP	GEAR, Drive	1					
	107	880528YP	DUST COVER	1					
	108	880796YP	BELT COVER ASSEMBLY	1					
	109	880539YP	COVER, Wheel	1					
	212	880854YP	CROSSBAR ASSEMBLY, Rear	1					
	800	0025X6MA	CAPSCREW, Hex Head, 3/8-16 x 1	1					
	803	880324YP	WASHER, Thrust	1					
	812	880760YP	SCREW, #10 x 1	1					
	814	26X296MA	SCREW, 1/4-15 x 3/4	1					
	821	880269YP	RING, External Retaining	1					
	833	880845YP	SCREW, Torx, 1/4-20 x 5/8	1					
	834	880859YP	NUT, Flange Lock, 1/4-20	1					



Supercessions	Ref #	Part #	Description	Qty	Context Note	Foot Note	UOM
	300	880571AYP	HANDLE, Lower	1			
	301	880210AYP	HANDLE, Upper	1			
	302	880476BNYP	LEVER, Engine Stop	1	(Red)		
	302	880476ZYP	LEVER, Engine Stop	1	(Black)		
	302	880476BIYP	LEVER, Engine Stop	1	(Graphite)		
	303	880639YP	CABLE, Engine Stop	1			
	304	880591YP	TUBING, Foam	1			
	305	672510MA	GUIDE, Rope	1			
	306	881056YP	KNOB, 5/16-18	4	(Red)		
	306	881147YP	KNOB, 5/16-18	1	(Green)		
	307	880615YP	WASHER, Formed	2			
	308	881061AYP	LEVER, Drive	1	(Black)		
	308	881061BIYP	LEVER, Drive	1	(Graphite)		
	309	880297YP	CABLE ASSEMBLY, Drive	1			
	804	880607YP	WASHER, 5/8	2			
	807	880029YP	CABLE TIE	1			
	815	880576YP	BOLT, Carriage, 5/16-18 x 1-1/8	2			
	816	002X77MA	BOLT, Carriage, 5/16-18 x 2	2			
	817	22129GS	WASHER, Lock	2			
	820	26X256MA	SCREW, Tap, #10 x 1-1/4	1			
	822	15X116MA	NUT, Hex, 1/4-20	1			
	865	997240YP	SERVICE EXPERT	1	(Model 881165 only)		