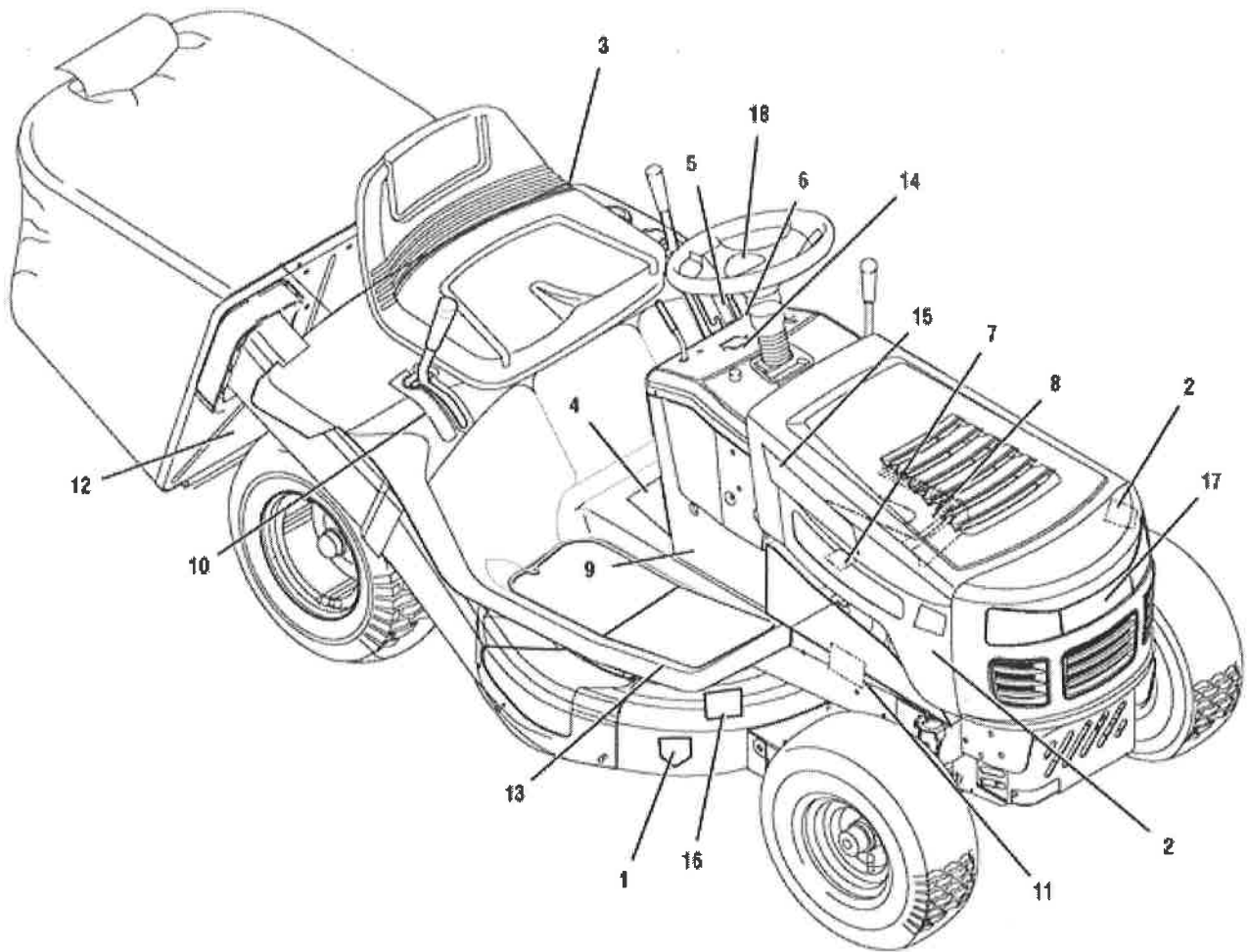
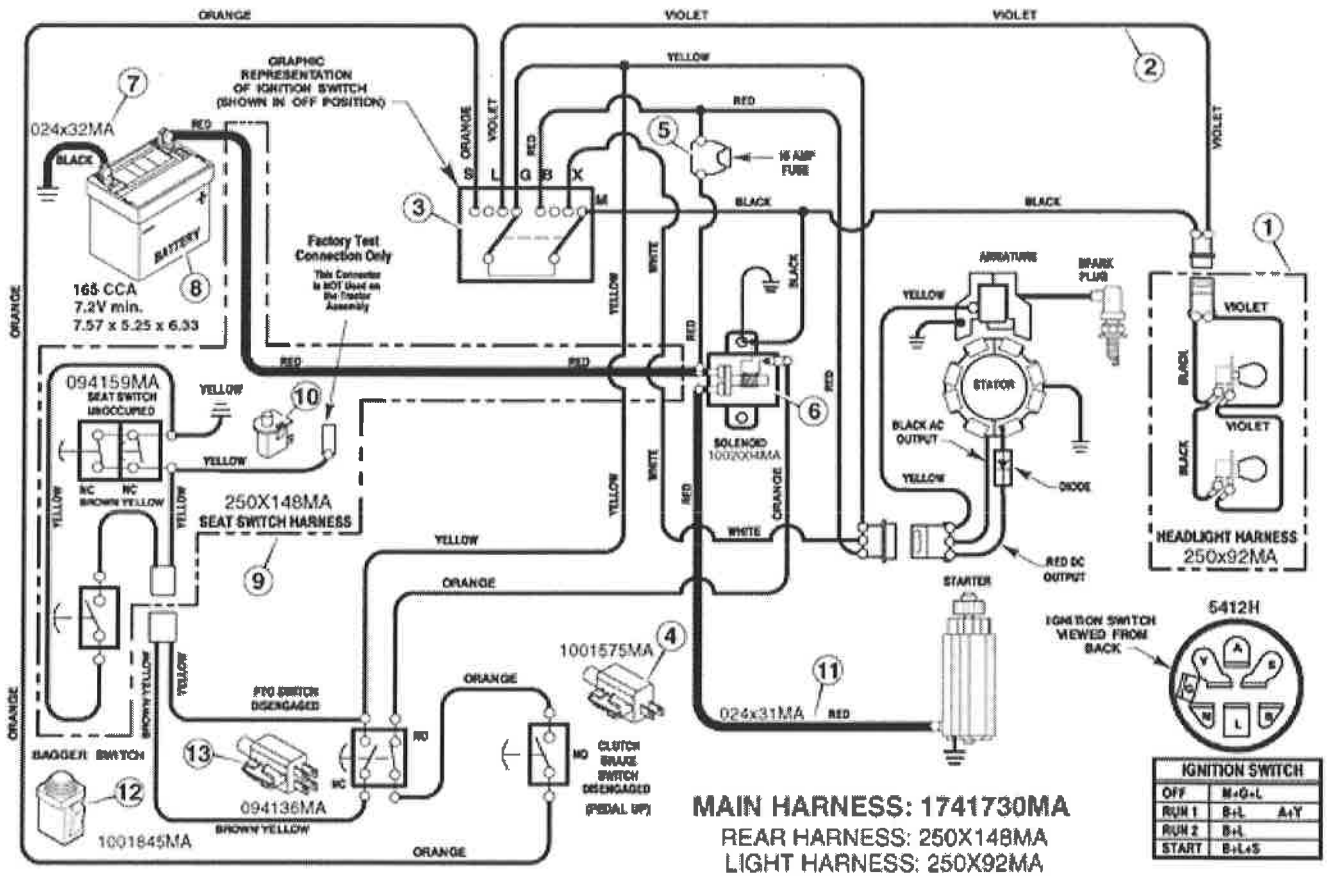


Supercessions	Ref #	Part #	Description	Qty	Context	Note	Foot	Note	UOM
	1	7101860YP	SEAT						
	2	028X23MA	CAP, Push On						
	3	094057MA	SPRING						
	4	26X229MA	SCREW						
	5	1001054MA	BOLT, Wing						
	6	017X47MA	WASHER						
	7	009X56MA	BOLT, Shoulder						
	8	7300875ZMA	SUPPORT, Seat						
	9	094156ZMA	ROD, Pivot						
	10	7300794ZMA	BRACKET, Pivot						
	11	001X45MA	BOLT						
	12	015X89MA	NUT						
	13	009X55MA	BOLT, Shoulder						
	14	094155ZMA	WASHER						
	15	164X31MA	SPRING						
	16	26X249MA	SCREW						
	17	26X263MA	SCREW						
	18	164X30MA	SPRING						
	19	7300843ZMA	DECK, Seat						
	20	15X123MA	NUT						
	21	7300839ZMA	PLATE, Lift						
	23	094999MA	MAT, Left						
	24	094998MA	MAT, Right						
	25	7300786ZMA	HOOD, WM1						
	26	7300778TMA	GRILLE						
	27	1001806MA	LENS						
	28	1001805MA	HOUSING, Headlamp						
	29	1740530TMA	BRACKET, Lower Pivot						
	30	7300741ZMA	SUPPORT, Battery						
	31	26X270MA	SCREW						
	32	26X238MA	SCREW						
	33	1001491MA	BEARING, Steering						
	34	7300774TMA	DASH						
	35	26X201MA	SCREW						
	36	7300750TMA	PANEL, Access						
	37	7300872TMA	SUPPORT, Dash						
	38	7300751ZMA	BRACKET, Rear Hanger						
	39	1740529TMA	BRACKET, Support						
	40	7300742ZMA	AXLE, Hanger						
	41	26X263MA	SCREW						
	42	009X58MA	BOLT, Shoulder						

43	7300870ZMA	FRAME, Right
44	7300869ZMA	FRAME, Left
45	690424MA	CONTAINER, Battery
46	7300864ZMA	PLATE, Hitch
47	7300832ZMA	PANEL, Rear
48	1740501E701MA	SHIELD, Heat
49	015X81MA	NUT
50	26X277MA	SCREW
51	15X124MA	NUT
53	1741762MA	INSERT, Center Grille
54	1741763MA	INSERT, Left Grille
55	1741764MA	INSERT, Right Grille
56	1741760MA	INSERT, Left Hood
57	1741761MA	INSERT, Right Hood
58	094376MA	BUMPER
59	1001755MA	GROMMET, Parking Brake
60	015X82MA	NUT
61	028X83MA	S-CLIP, Black
70	1741770MA	HOLDER, Beverage, Gray
--	1002050MA	PARTS BAG, Assembly
--	1742360	MANUAL, Instruction Book
--	1742361	MANUAL, Parts List

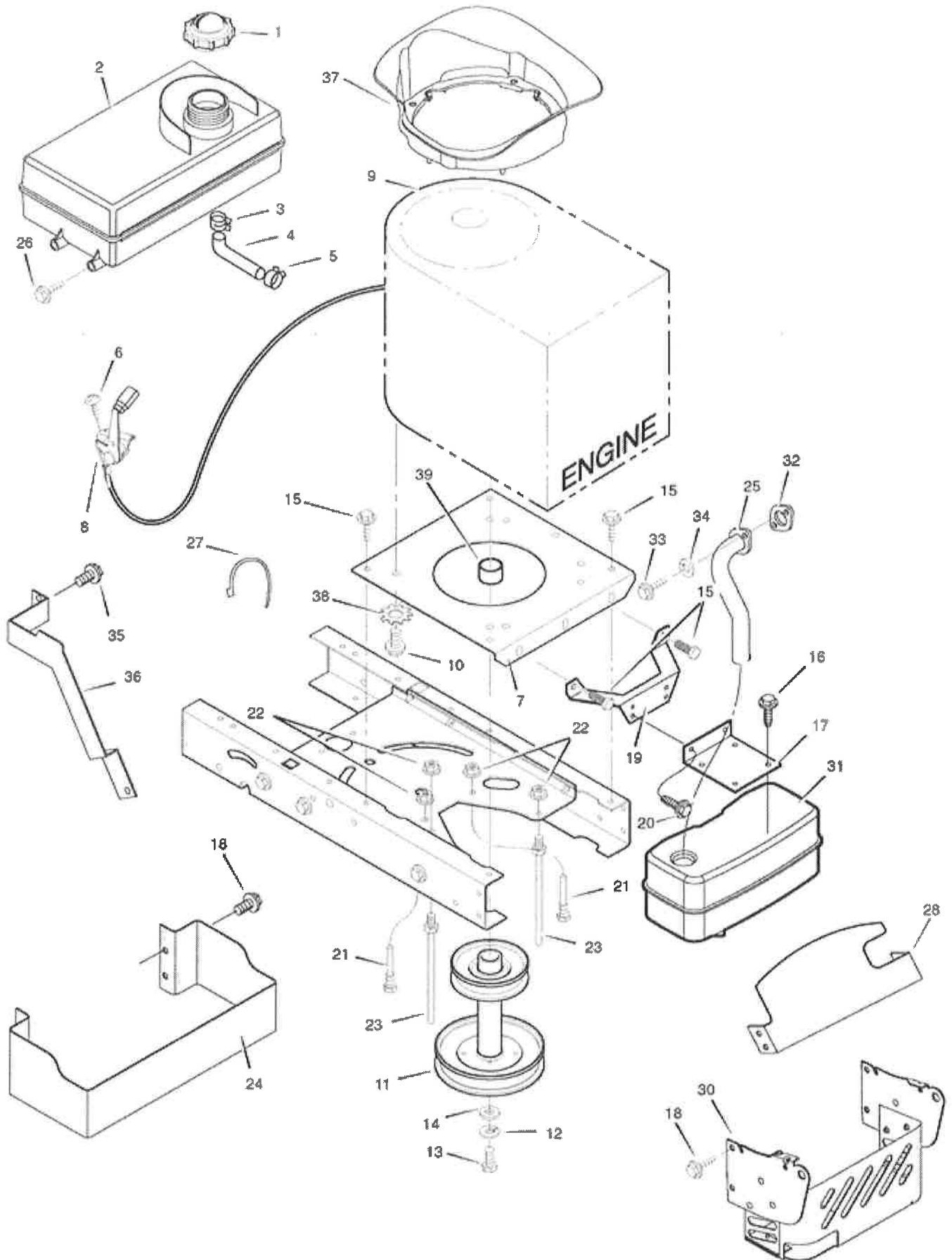


<b>Supercessions</b>	<b>Ref #</b>	<b>Part #</b>	<b>Description</b>	<b>Qty</b>	<b>Context</b>	<b>Note</b>	<b>Foot</b>	<b>Note</b>	<b>UOM</b>
	1	885217YP	DECAL, Cut Fingers Signal						
	2	1742421YP	DECAL, 145/76, Black, Red, White						
	3	44X6595MA	DECAL, Gas						
	4	1734027SM	DECAL, Warning Export						
	5	44X7026MA	DECAL, 7 Position Cut Height						
	6	44X7027MA	DECAL, Deck Level						
	7	1742417YP	DECAL, DECK WIDTH 76cm						
	8	44X5437MA	DECAL, Brake/Clutch Export						
	9	1742416YP	DECAL, B&S Logo						
	10	48X5451MA	DECAL, 5 Speed						
	11	44X5936MA	DECAL, Heat Shield Warning						
	12	48X511MA	DECAL, Warning Load Limit Export						
	13	44X6828MA	DECAL, Warning Pinch Point						
	14	44X6817MA	DECAL, Dash Symbols W1						
	15	7102772YP	DECAL, MURRAY						
	16	48X5911MA	DECAL, 100db Export						
	17	7102288YP	DECAL, Front Hood						
	18	7102287YP	DECAL, Steering Wheel						



IGNITION SWITCH	
OFF	M+G+L
RUN 1	B+L A+Y
RUN 2	B+L
START	B+L+S

Supercessions	Ref #	Part #	Description	Qty	Context Note	Foot Note	UOM
	1	250X92MA	HARNESS, Light Wire				
	--	1001716MA	SOCKET, Light				
	--	090084MA	BULB, Light				
	2	250X148MA	HARNESS, Chassis Wire				
	3	5412H	SWITCH, Ignition				
	--	020729MA	KEY, Ignition				
	--	091489MA	NUT, Hex				
	--	091488MA	CAP, Ignition				
	4	1001575MA	SWITCH, Limit				
	5	302031MA	FUSE				
	--	407078MA	HOLDERS, Fuse				
	6	1002004MA	SOLENOID				
	--	26X229MA	SCREW, Mounting				
	--	15X116MA	LOCKNUT				
	7	024X32MA	CABLE, Battery Ground				
	--	26X229MA	SCREW, Ground Cable				
	8	-----	BATTERY		165 CCA 7.2V min. 7.57 x 5.25 x 6.33		
	--	002X82MA	BOLT, Carriage				
	--	014X79MA	WINGNUT				
	--	690604MA	BOOT, Battery Terminal, Positive				
	9	250X130MA	HARNESS, Seat Switch Wire				
	10	094159MA	SWITCH, Seat Sensor				
	11	024X31MA	CABLE				
	12	1001845MA	SWITCH, Bag Sensor				
	13	094136MA	SWITCH, Limit				

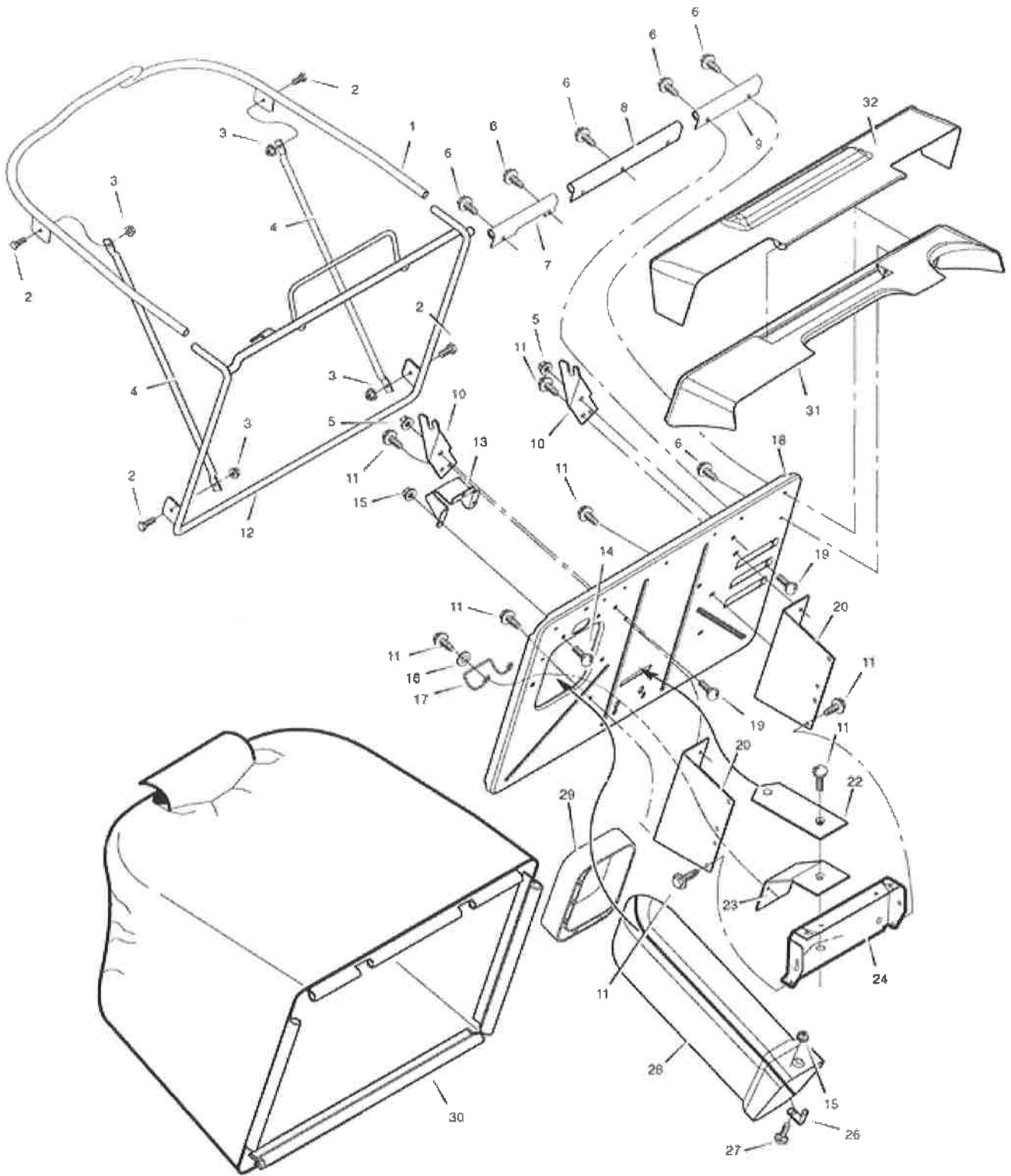




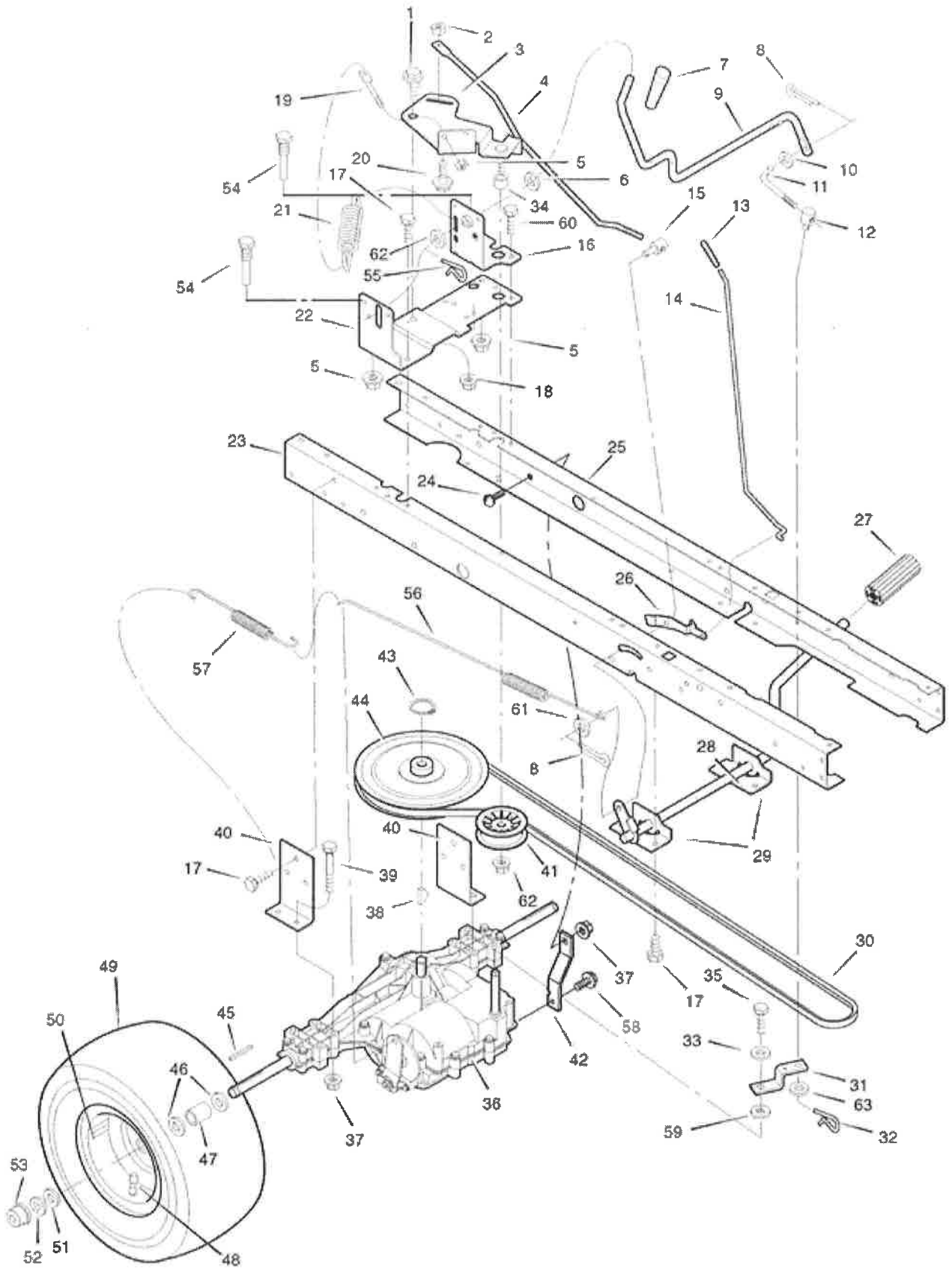
Supercessions Ref #	Part #	Description	Qty	Context Note	Foot Note	UOM
1	092317MA	FUEL CAP		(Included with Ref. No. 2)		
2	7601092MA	TANK, Fuel 1.4 Gal.				
3	095197MA	CLAMP, Hose				
4	7601033MA	FUEL LINE (Must cut to length)				
5	095197MA	CLAMP, Hose				
6	26X201MA	SCREW				
7	7300863ZMA	PLATE, Engine				
8	092371MA	THROTTLE CONTROL				
9	31A507-0123-B1	ENGINE, Briggs & Stratton *			Note* For information on Replacement Parts for this engine contact the manufacturer.	
10	0025X7MA	BOLT, Engine Mount				
11	690439MA	STACK PULLEY ASSEMBLY				
12	019X35MA	LOCKWASHER				
13	01X140MA	BOLT, Hex				
14	17X170MA	WASHER				
15	26X249MA	SCREW				
16	26X229MA	SCREW				
17	7300760AMA	BRACKET, Muffler				
18	26X277MA	SCREW				
19	7300817ZMA	BRACKET, Muffler Mount				
20	26X213MA	SCREW				
21	094384MA	GUIDE, Belt				
22	015X79MA	NUT, Flange				
23	094066MA	GUIDE, Belt				
24	7300783AMA	GUARD, Heat Shield				
25	1001496MA	EXHAUST TUBE, Single				
26	26X253MA	SCREW				
27	032618MA	TIE, Strap, 5.38				

## Long

28	1740502AMA	GUARD, Heat Shield, Upper
30	7500709AMA	SHIELD, Heat
31	094654MA	MUFFLER
32	692236	GASKET
33	06X103MA	SCREW
34	018X15MA	WASHER
35	06X104MA	BOLT, Washer Hex Head
36	1740504AMA	GUARD, Exhaust Pipe
37	1740503MA	PLENUM, X1 M28/31
38	0019X8MA	WASHER, Star .38 0.68X
39	093077MA	SPACER, Engine



Supercessions	Ref #	Part #	Description	Qty	Context	Note	Foot	Note	UOM
	1	690404MA	TUBE, Top	1					
	2	01X121MA	BOLT	4					
	3	15X116MA	NUT	4					
	4	690433MA	STRUT, Bag	2					
	5	7090585MA	NUT, Flange	2					
	6	0193X1MA	FASTENER, Panel	9					
	7	690491MA	SEAL, Bag (Right End)	1					
	8	690492MA	SEAL, Bag (Center)	1					
	9	690493MA	SEAL, Bag (Left End)	1					
	10	7300785ZMA	HINGE	2					
	11	26X249MA	SCREW	6					
	12	885167YP	ASSEMBLY, Bag Frame	1					
	13	7300768ZMA	BRACKET, Switch	1					
	14	002X82MA	BOLT, Carriage	3					
	15	015X89MA	NUT, Flange	1					
	16	17X185MA	WASHER	2					
	17	690402MA	LATCH, Spring	1					
	18	885165YP	PANEL, Rear	1					
	19	002X53MA	BOLT, Carriage	2					
	20	7300731ZMA	BRACKET, Bagger Mounting	2					
	22	7300835ZMA	PLATE, Hitch	1					
	23	7300757ZMA	BRACKET, Lower Mounting	1					
	24	7300864ZMA	PLATE, Hitch	1					
	26	054563MA	PIN, Latch	1					
	27	002X39MA	BOLT, Carriage	1					
	28	690368MA	TUBE, Connecting	1					
	29	690429MA	GROMMET, Extension Tube	1					
	30	690438MA	BAG, Grass	1					
	31	885163YP	BAGGER COVER, Front	1					
	32	885164YP	BAGGER COVER, Rear	1					



Supercessions Ref #	Part #	Description	Qty	Context	Note	Foot Note	UOM
1	009X39MA	BOLT, Shoulder					
2	015X89MA	NUT, Hex					
3	690273MA	ARM, Idler					
4	094041ZMA	ROD, Clutch					
5	7091601SM	NUT					
6	17X102MA	WASHER					
7	1741756MA	GRIP					
8	030X20MA	PIN, Cotter					
9	094043ZMA	LEVER, Shift					
10	017X47MA	WASHER					
11	094044ZMA	LINK, Shift					
12	021920ZMA	NUT, Adjuster					
13	1741757MA	GRIP					
14	1001245ZMA	ROD, Parking Brake					
15	094815ZMA	NUT, Adjuster					
16	1001303ZMA	BRACKET, Shift Pivot					
17	26X249MA	SCREW					
18	015X84MA	NUT					
19	094042ZMA	MOUNT, Stud Spring					
20	009X54MA	BOLT, Shoulder					
21	165X116MA	SPRING, Extension					
22	7300824ZMA	BRACKET, Right Shifter					
23	1001928E701MA	FRAME, Right					
24	002X53MA	BOLT, Carriage					
25	1001927E701MA	FRAME, Left					
26	094045ZMA	LATCH, Parking Brake					
27	021544MA	PEDAL					
28	7400256ZMA	LEVER, Brake/Clutch					
29	1001117E701MA	BRACKET, Pedal					

30	037X87MA	BELT, Motion Drive
31	094031ZMA	YOKE, Shift
32	0031X6MA	PIN, Hair
33	017X38MA	WASHER
34	690369MA	SPACER
35	06X105MA	BOLT
36	-----	TRANSAXLE **
37	015X88MA	NUT
38	020697MA	KEY, Woodruff
39	01X155MA	BOLT
40	7300769ZMA	BRACKET, Transaxle
41	690409MA	PULLEY
42	7300845ZMA	BRACKET, Torque Strap, LH
43	0011X7MA	RING RETAINER
44	095094MA	PULLEY Drive
45	021553MA	KEY, Square
46	17X160MA	WASHER
47	690554ZMA	SPACER, Transaxle
48	024373MA	STEM, Valve
49	091923MA	TIRE *
--	407049MA	TUBE
50	7101863MA	WHEEL & TIRE ASSEMBLY
51	17X195MA	WASHER
52	0011X3MA	E-Ring
53	094618MA	HUB CAP
54	093349MA	GUIDE, Belt
55	0031X4MA	PIN, Hair

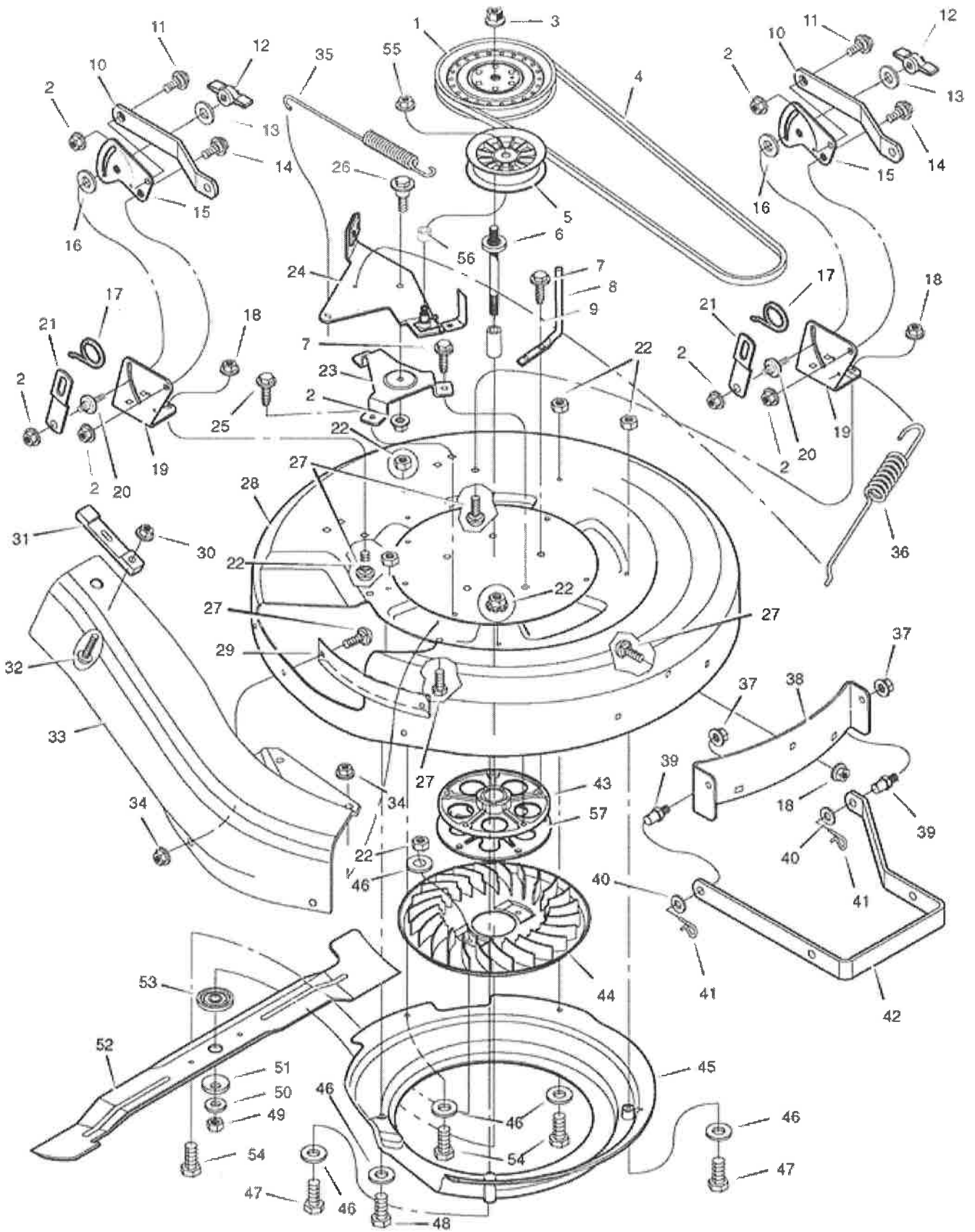
Note\*\* For Replacement  
Parts see the Transaxle  
manufacturer.

Note\* When you order a  
tire, make sure to give the  
brand name of the tire so  
that the tread pattern on  
the tire will match.

(Not  
Illustrated)

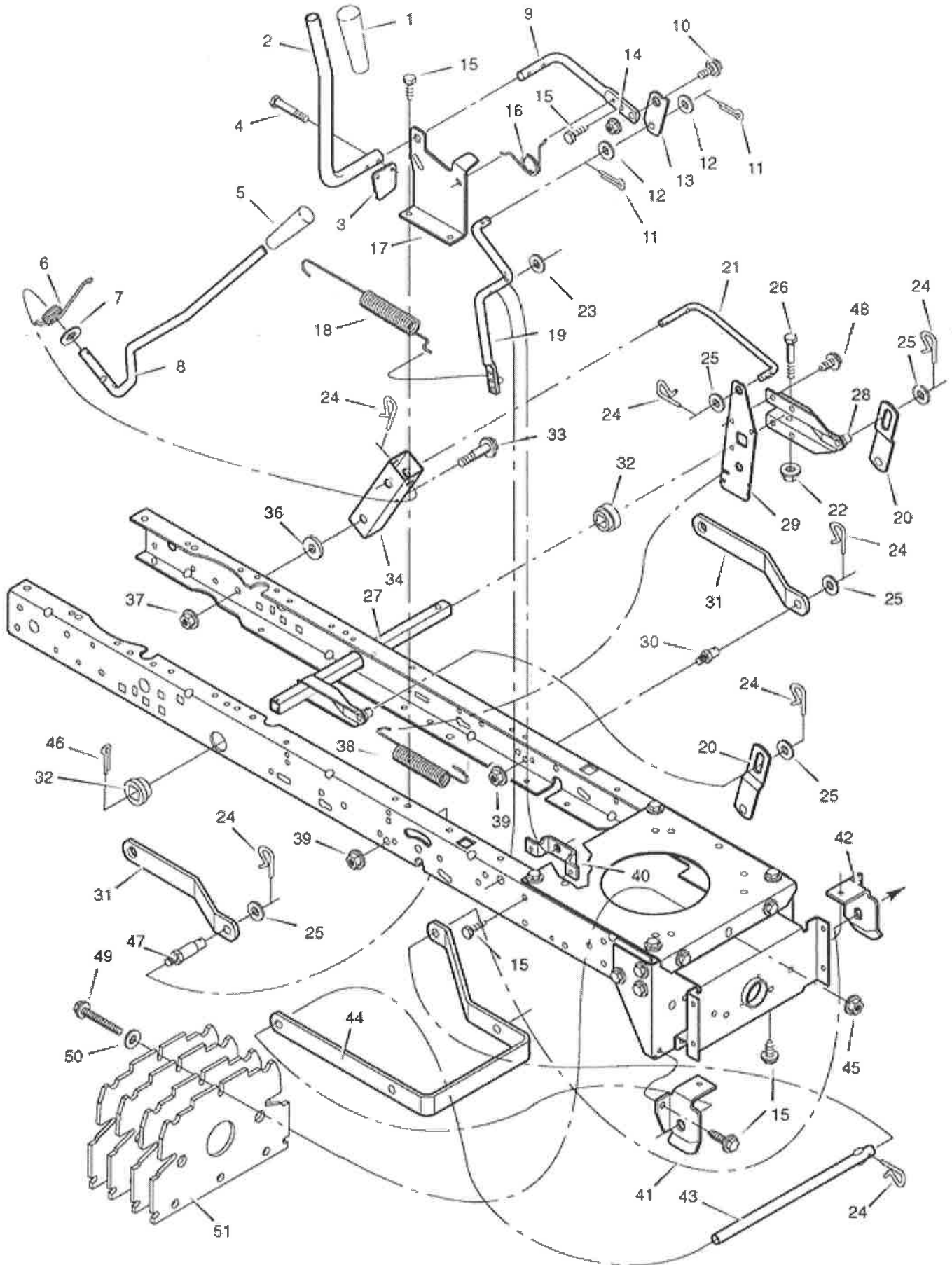
56	165X141MA	SPRING, Extension
57	165X92MA	SPRING, Extension
58	26X216MA	SCREW
59	17X148MA	WASHER
60	26X267MA	SCREW
61	17X169MA	WASHER
62	015X98MA	NUT, Hex
63	017X53MA	WASHER





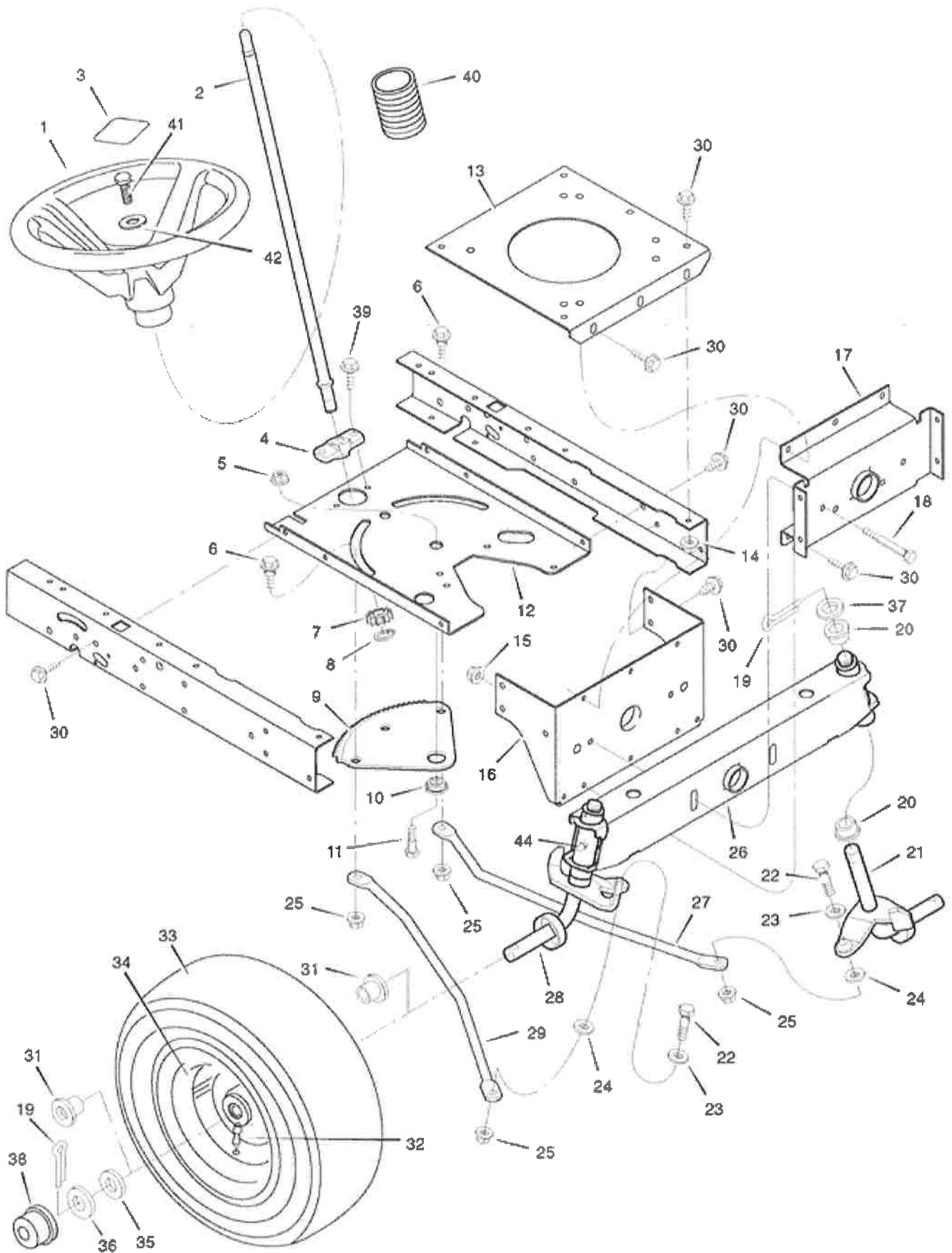
Supercessions	Ref #	Part #	Description	Qty	Context	Note	Foot	Note	UOM
	1	690432MA	PULLEY						
	2	015X84MA	NUT, Flange						
	3	15X140MA	NUT						
	4	037X74MA	BELT, Blade						
	5	091801MA	PULLEY, Idler						
	6	094129MA	MANDREL						
	7	025X23MA	SCREW						
	8	092424MA	GUIDE, Belt						
	9	094130MA	SPACER						
	10	7300826ZMA	BRACKET, Rear Suspension						
	11	009X52MA	BOLT, Shoulder						
	12	094068MA	KNOB						
	13	017X45MA	WASHER						
	14	009X51MA	BOLT, Shoulder						
	15	7300840ZMA	Plate, Suspension						
	16	094137MA	PAD, Friction						
	17	166X43MA	SPRING						
	18	015X79MA	NUT, Flange						
	19	7300737ZMA	BRACKET, Rear Deck						
	20	095194MA	PIN, Hanger						
	21	7300791ZMA	LINK, Lift						
	22	7090585MA	NUT						
	23	7300754ZMA	BRACKET, Idler Arm						
	24	1002076MA	ASSEMBLY, Idler Arm & Pad						
	25	26X249MA	SCREW						
	26	009X39MA	BOLT, Shoulder						
	27	002X64MA	BOLT, Carriage						
	28	7500695ZMA	HOUSING, Blade						
	29	7300730ZMA	BAFFLE, Deck, RH						
	30	015X88MA	NUT, Flange						
	31	054695MA	STRAP, Rubber						
	32	01X139MA	SCREW						
	33	690367MA	CHUTE						
	34	015X79MA	NUT						
	35	165X118MA	SPRING, PTO						
	36	165X140MA	SPRING, Extension						
	37	015X84MA	NUT, Flange						
	38	7300740ZMA	BRACKET, Front Deck						
	39	094067MA	PIN, Threaded Shoulder						

40	017X91MA	WASHER
41	0031X4MA	PIN, Hair
42	7300784ZMA	HANGER, Front
43	1401275MA	HOUSING, Jackshaft
44	690359MA	FAN, Assist
45	1001237MA	HOUSING, Fan
46	017X37MA	WASHER
47	001X71MA	BOLT
48	01X106MA	BOLT
49	15X100MA	NUT
50	17X165MA	WASHER
51	17X166MA	WASHER, Belleville
52	1002068E701MA	BLADE
53	092466MA	ADAPTER, Blade
54	01X121MA	BOLT
55	015X98MA	NUT, Flange
56	690369MA	SPACER
57	7300836ZMA	PLATE, Jackshaft Support



Supercessions	Ref #	Part #	Description	Qty	Context	Note	Foot	Note	UOM
	1	1741757MA	GRIP						
	2	094157ZMA	HANDLE, PTO						
	3	094022ZMA	PAD, Switch						
	4	0025X3MA	SCREW, Hex						
	5	1741756MA	GRIP						
	6	166X40MA	SPRING						
	7	17X103MA	WASHER						
	8	690533MA	HANDLE, Lift						
	9	094017ZMA	LEVER, PTO						
	10	009X39MA	BOLT, Shoulder						
	11	030X20MA	PIN, Cotter						
	12	017X57MA	WASHER						
	13	690277MA	LINK, PTO						
	14	015X84MA	NUT, Flange						
	15	26X249MA	SCREW						
	16	166X39MA	SPRING						
	17	7300821TMA	BRACKET, PTO						
	18	165X116MA	SPRING						
	19	690394E701MA	CRACK, PTO						
	20	7300791ZMA	LINK, Lift						
	21	95285MA	LINK, Lift Handle						
	22	15X118MA	NUT, Flange						
	23	017X57MA	WASHER						
	24	0031X4MA	PIN, Hair						
	25	017X91MA	WASHER						
	26	001X74MA	BOLT, Hex						
	27	690386E701MA	ARM ASSEMBLY, Right Lift						
	28	7400254ZYP	LIFTER TUBE ASSEMBLY						
	29	7300837ZMA	Plate, Lift Arm						
	30	094067MA	PIN						
	31	7300826ZMA	BRACKET, Rear Suspension						
	32	094065MA	Bushing, Lift Tube						
	33	009X53MA	BOLT, Shoulder						
	34	7300819ZMA	BRACKET, Pivot						
	36	17X191MA	WASHER						
	37	015X84MA	NUT, Flange						
	38	165X117MA	SPRING						
	39	015X68MA	NUT, Flange						

40	7300796ZMA	BRACKET, PTO	
41	7300861ZMA	HANGER, Right Deck	
42	7300860ZMA	HANGER, Left Deck	
43	094158ZMA	ROD, Hanger	
44	7300784ZMA	HANGER, Front	
45	015X89MA	NUT, Flange	
46	030X49MA	PIN, Cotter	
47	690382MA	PIN, Threaded Shoulder	
48	026X49MA	SCREW	
49	01X106MA	BOLT, Hex	
50	017X38MA	WASHER	
51	7300848ZMA	PLATE, Weight	(4 Required)



Supercessions	Ref #	Part #	Description	Qty	Context	Note	Foot Note	UOM
	1	1001980MA	WHEEL, Steering					
	2	690625MA	POST, Steering					
	3	1001982MA	COVER, Steering Wheel					
	4	094124MA	BEARING		(Included with Ref. No. 2)			
	5	7091601SM	NUT, Flange **				Note** This part included when ordering Ref. No. 2.	
	6	009X57MA	BOLT, Shoulder					
	7	1001893MA	GEAR, Pinion		(Included with Ref. No. 2)			
	8	011X25MA	RING, Snap **				Note** This part included when ordering Ref. No. 2.	
	9	094121MA	GEAR, Sector					
	10	094123MA	BEARING CAP					
	11	7027168SM	SCREW, Hex Head, 5/16C X1 GR5 YZ					
	12	7300867ZMA	PLATE, Steering					
	13	7300863ZMA	PLATE, Engine					
	14	015X88MA	NUT, Flange					
	15	15X118MA	NUT, Flange					
	16	7300751ZMA	BRACKET, Hanger					
	17	7300742ZMA	AXLE, Hanger					
	18	01X146MA	BOLT					
	19	030X49MA	PIN, Cotter					
	20	690150MA	BEARING SPINDLE					
	21	1001299E701MA	ASSEMBLY, Left					
	22	01X111MA	BOLT					
	23	710083MA	WASHER					
	24	017X53MA	WASHER					



25	7091619SM	NUT, Flange
26	7400246ZYP	AXLE ASSEMBLY
27	7101805ZMA	DRAG LINK, Left SPINDLE
28	1001298E701MA	ASSEMBLY, Right
29	7101806ZMA	DRAG LINK, Right
30	26X249MA	SCREW
31	091334MA	BEARING, Wheel
32	024373MA	STEM, Valve
33	-----	TIRE *
--	407924MA	TUBE
34	7101866MA	WHEEL & TIRE ASSEMBLY
35	17X195MA	WASHER
36	17X192MA	WASHER
37	1733001SM	WASHER
38	094618MA	HUB CAP
39	26X267MA	SCREW
40	092059MA	BELLOWS
41	0025X3MA	SCREW, Hex
42	17X146MA	WASHER
44	092530MA	FITTING, Grease

Note \* When you order a tire, make sure to give the brand name of the tire so that the tread pattern on the tire will match.