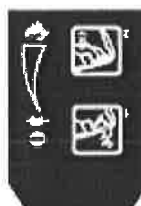


1



4

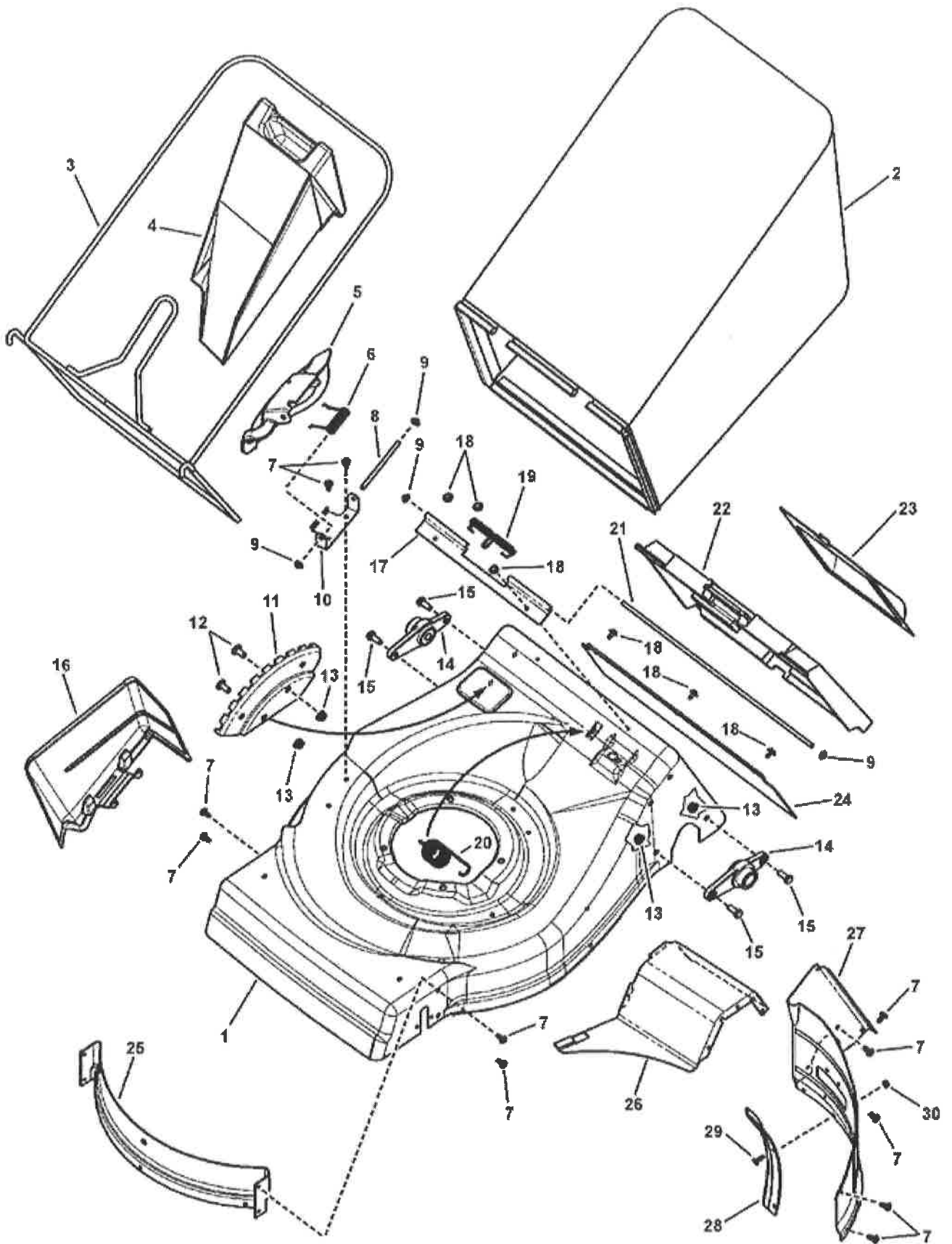


2

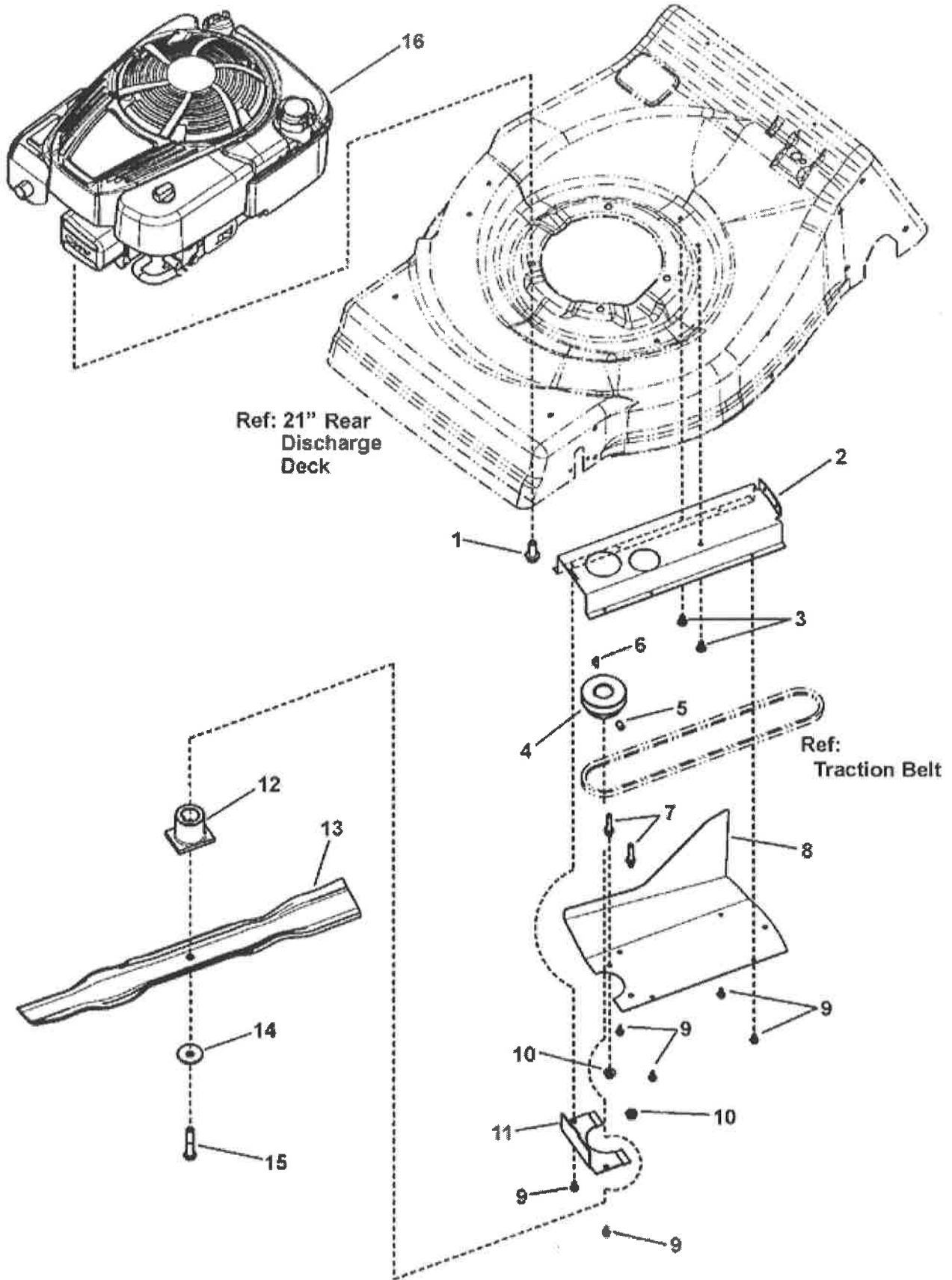


3

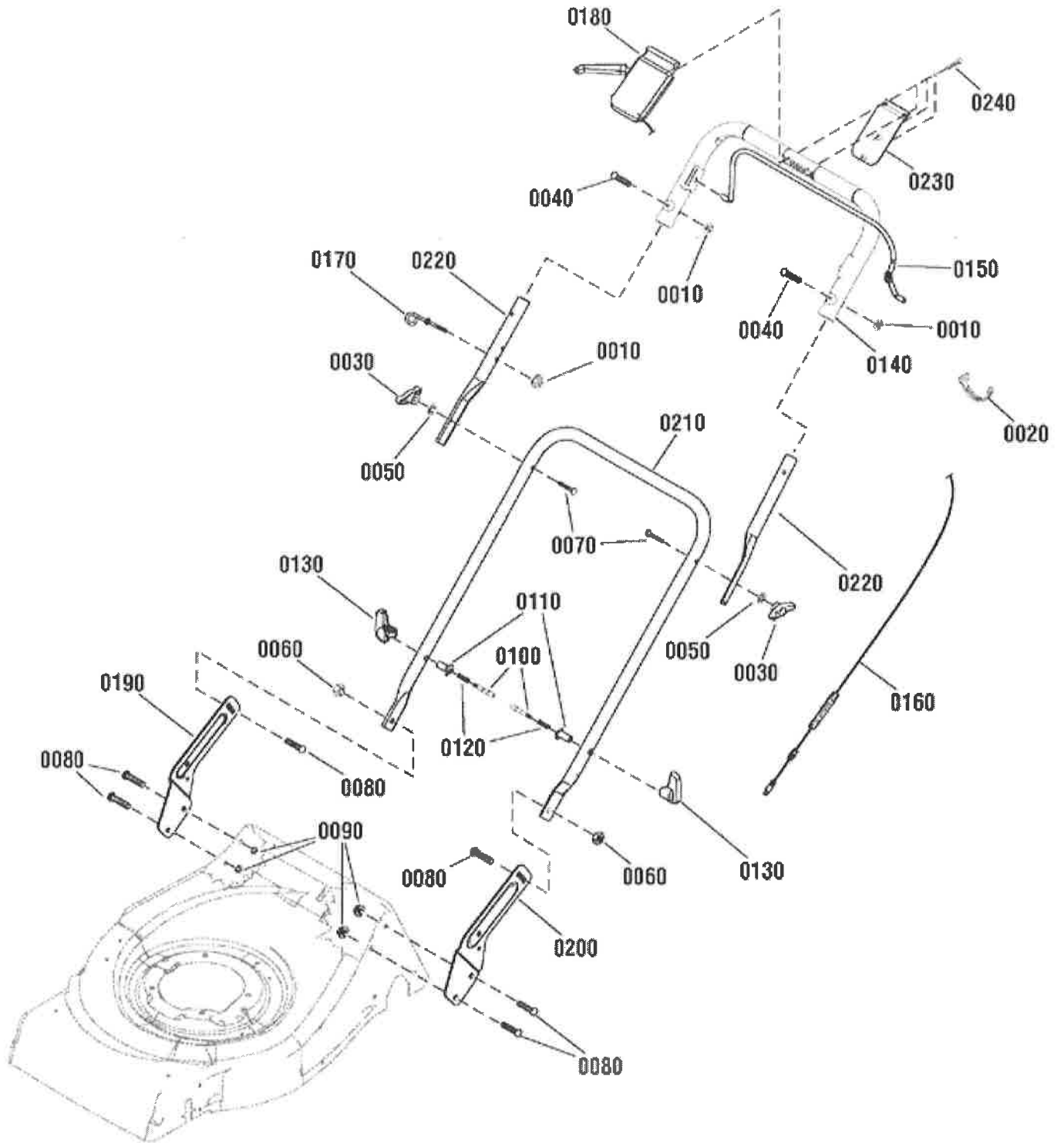
Supercessions	Ref #	Part #	Description	Qty	Context	Note	Foot Note	UOM
	1	7103361	DECAL, Logo, Deck	1				
	2	7104420	DECAL, Controls	1				
	3	7029782	DECAL, OPC Bail International Symbol	1				
	4	7101084	DECAL, Warning, Multi-Panel	1				



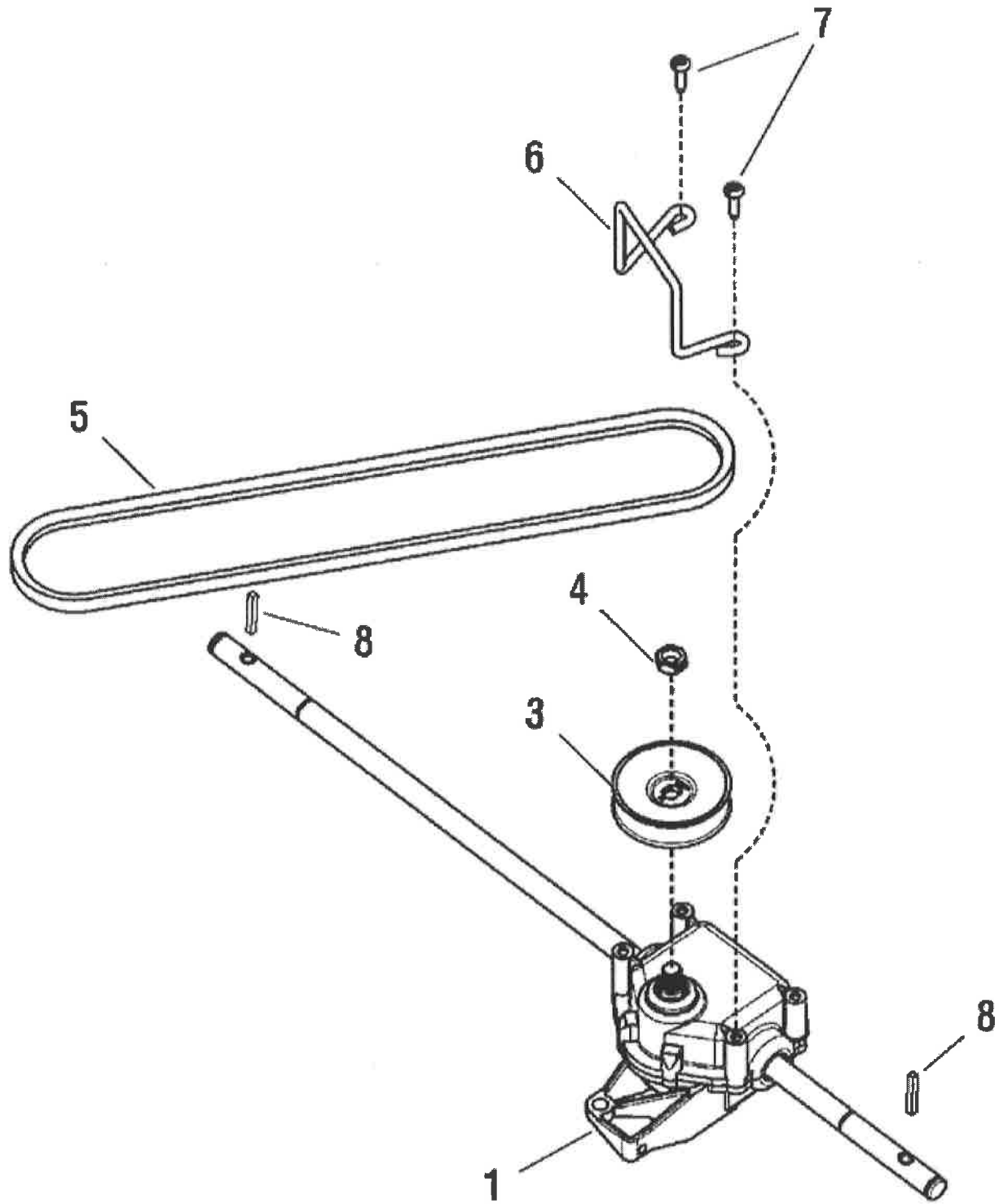
Supercessions	Ref #	Part #	Description	Qty	Context	Note	Foot	Note	UOM
	1	-----	DECK, 21" Rear Discharge, Non-Electric Start	1					
	2	7101304	GRASSBAG, 21" Rear Discharge	1					
	3	7101303A	BAG FRAME, 21" RD WBM	1					
	4	720723	PLUG, Mulching	1					
	5	7101437	COVER, 21" Mulching	1					
	6	722507	SPRING, Torsion, Chute	1					
	7	7900067	SCREW, Pan Head Self-Tap (Torx), 1/4-20 x 1/2	11					
	8	7101471	ROD, Mulch Cover Pivot	1					
	9	7091020	PUSHNUT, 1/4"	4					
	10	7300590C	BRACKET, Chute Deflector	1					
	11	7300587C	INDEX PLATE, Height-Of-Cut	1					
	12	7091508	BOLT, Carriage, Short Neck, 5/16-18 x 3/4, G5	2					
	13	7091601	NUT, Hex Flange Lock, 5/16-18	6					
	14	7501070	ASSEMBLY, Bearing Holder, 21" WBM, Rear Discharge	2		(Includes Ref. No. 31)			
	15	7091318	SCREW, Hex Head Cap, 5/16-18 x 3/4, G5	4					
	16	7101490	CHUTE, 21" Side Discharge	1					
	17	720735	SPACER, Rear Door, 21" WBM	1					
	18	7091286	SCREW, Hex Washer Self-Tap Sems, #10-24 x 1/2	5					
	19	722503	SPRING, Torsion	1					
	20	7101434	SPRING, Extension, Height-Of-Cut Assist	1					
	21	7101314	ROD, Rear Door Pivot, 21" Rear Discharge	1					
	22	727785	DOOR, 21" Black	1					
	23	7300723C	TRANSMISSION COVER, Rear	1					
	24	7101553	DEFLECTOR, Rear, 21" WBM, RD	1					
	25	7300585C	BAFFLE, Front	1					
	26	7300591C	BAFFLE, Right Rear	1					
	27	7300589C	BAFFLE, Left Rear	1					
	28	7101502	BAFFLE, Extension	1					
	29	7091711	BOLT, Flat Head Square Neck, #10-24 x 5/8	3					
	30	7091290	NUT, Hex Nyloc, #10-24	3					
	31	7078243	BALL BEARING, Axle	1		(Not Illustrated)			



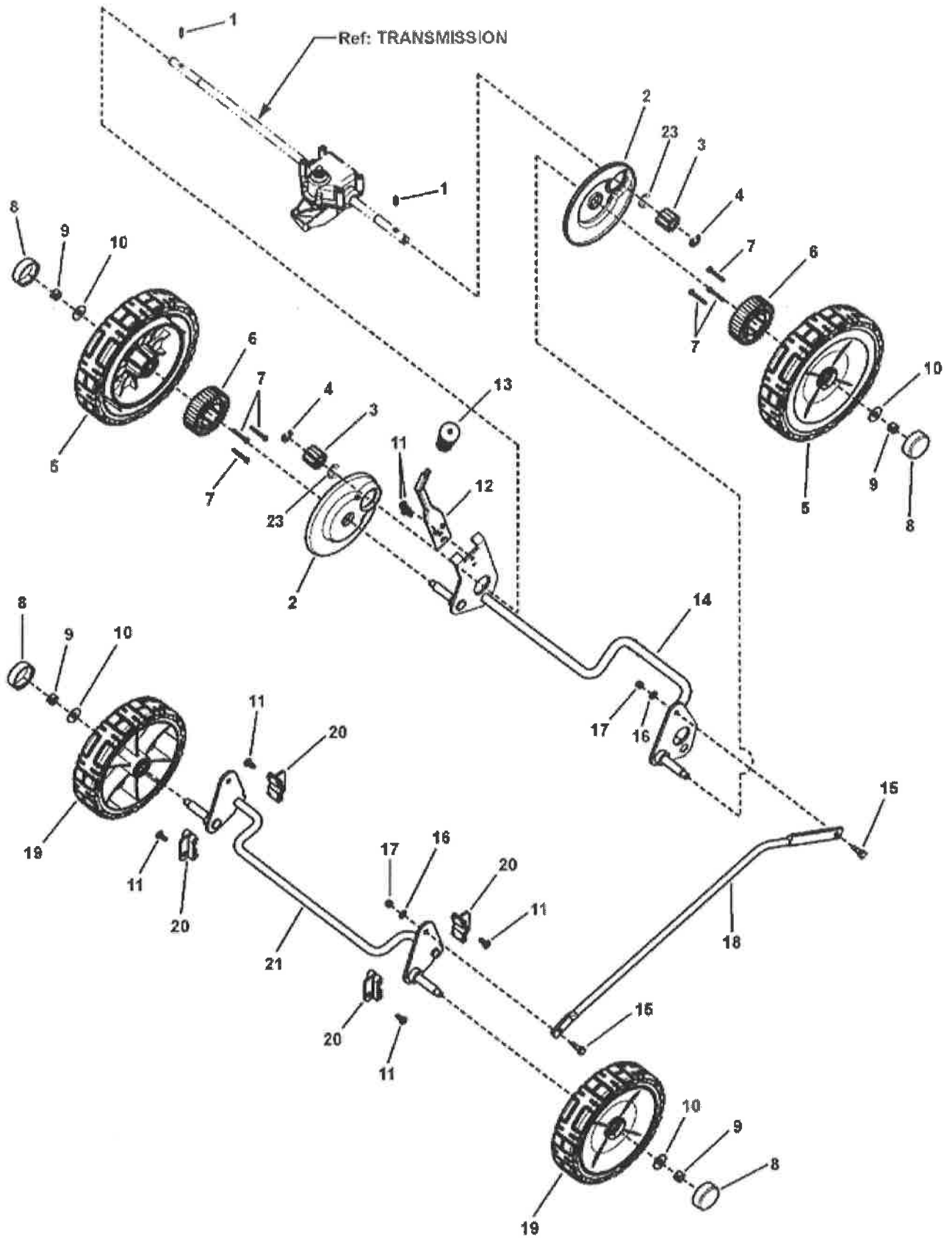
Supercessions	Ref #	Part #	Description	Qty	Context	Note	Foot Note	UOM
	1	7090324	SCREW, Hex Washer Self-Tap, 3/8-16 x 1	3				
	2	7300725	BELT GUARD	1				
	3	7900067	SCREW, Torx Self-Tap, 1/4-20 x 1/2	2				
	4	7100437	PULLEY, Engine	1				
	5	7092086	SET SCREW, Hex Recess, 5/16- 18 x 1/2	1				
	6	7091214	KEY, Hi-Pro, #605	1				
	7	7101313	BELT GUIDE, Engine, 21" RD (1/4-20 thread)	2				
	8	7300596Z	COVER, Belt Guard	1				
	9	722864	SCREW, AB, w/Washer, #10- 16 x 1/2	6				
	10	7091584	NUT, Hex Flange Lock, 1/4-20	4				
	11	7300724	COVER, Belt	1				
	12	7101414	HUB, Blade	1				
	13	7100242A	BLADE, Wave, 21" Steel Deck	1				
	14	7012063	WASHER, Cone	1				
	15	7090167	SCREW, Hex Head Cap, 3/8-24 x 2, G5	1				
	16	122S02-0111-B1	* ENGINE, 875 Series Briggs & Stratton	1	(Engine Model: 122S02- 0111-B1)	Note:* Purchase engine parts from engine manufacture dealer.		



Supercessions	Ref #	Part #	Description	Qty	Context	Note	Foot	Note	UOM
	0010	2860694	NUT, Hex Flange, ESNA, 1/4-20	3					
	0020	7024649	TIE, Wire	3					
	0030	7035744	KNOB, Wing, 5/16-18	2					
	0040	7090015	BOLT, Carriage, Short Neck, 1/4-20 x 3/4	2					
	0050	7090391	WASHER, Internal Tooth, 5/16	2					
	0060	7090951	NUT, Center Lock Hex, 5/16-18	2					
	0070	7091189	BOLT, Carriage, Curved Head, 5/16-18 x 2	2					
	0080	7091508	BOLT, Carriage, Short Neck, 5/16-18 x 3/4, G5	6					
	0090	7091601	NUT, Hex Flange Lock, 5/16-18, G5	4					
	0100	7101198	PIN, Handle Adjust	2					
	0110	7101199	BUSHING, Handle Pin	2					
	0120	7101200	SPRING, Compression	2					
	0130	7101202	KNOB, Quick Release	2					
	0140	7101312	HANDLE, Upper	1					
	0150	7101321A	BAIL	1					
	0160	7101399	CABLE, Bail	1					
	0170	7101410	GUIDE, Rope	1					
	0180	7101416	CONTROL HEAD	1					
	0190	7300566A	BRACKET, Handle, RH	1					
	0200	7300567A	BRACKET, Handle, LH	1					
	0210	7300639A	HANDLE, Lower	1					
	0220	7300649A	HANDLE, Connecting	2					
	0230	7300670A	PLATE, Control Head	1					
	0240	95050	SCREW, Pan Head Cross Recess, #8-16 x 5/8	4					



Supercessions	Ref #	Part #	Description	Qty	Context Note	Foot Note	UOM
	1	7101245	TRANSMISSION	1			
	3	7100240	PULLEY	1			
	4	7091585	NUT, Hex Center Lock, 3/8-16	1			
	5	7100883	BELT, Traction Drive	1	Section 3L, 32.86 effective length		
	6	7100863	BELT GUIDE, Transmission	1			
	7	7091195	SCREW, Pan Head, Self Tap, #10-16 x 3/4	2			
	8	7100861	PIN, Axle	2			



Supercessions	Ref #	Part #	Description	Qty	Context Note	Foot Note	UOM
	1	7100861	PIN, Axle	2			
	2	7101367	SHIELD, Dust	2			
	3	7100820	GEAR, Pinion	2			
	4	7014341	RETAINING RING	2			
	5	7500647	WHEEL ASSEMBLY, Drive, 9 x 2	2	(Includes Ref. No. 22)		
	6	7100914	GEAR, External Wheel	2			
	7	7091196	SCREW, Hex Washer Self-Tap, Hi-Lo, #8 x 1-1/4	6			
	8	7101350	HUBCAP	4			
	9	7091585	NUT, Hex Center Lock, 3/8-16	4			
	10	722604	WASHER, Flat, 3/8 ID x 1 OD	4			
	11	7900067	SCREW, Torx Self-Tap, 1/4-20 x 1/2	6			
	12	724970	LEVER, Spring, Height-Of-Cut	1			
	13	724887	GRIP, Height-Of-Cut	1			
	14	7400275	CROSSBAR, Rear	1			
	15	7101774	BOLT, Shoulder, #10-24 Thread	2			
	16	7091552	WASHER, Flat, .219 x .500 x .049	2			
	17	7091290	NUT, Hex Nyloc, #10-24	2			
	18	7101430C	ROD, Lifter Link	1			
	19	7500540	WHEEL ASSEMBLY, Idle, 8 x 2	2	(Includes Ref. No. 22)		
	20	7101241	BUSHING, Front 21"	4			
	21	7400276	CROSSBAR, Front	1			
	22	7101380	BALL BEARING, 1-1/8" OD, Flange	4	(Not Illustrated)		
	23	7027999	RING, Retaining	2			