

<b>Supercessions</b>	<b>Ref #</b>	<b>Part #</b>	<b>Description</b>	<b>Qty</b>	<b>Context Note</b>	<b>Foot Note</b>	<b>UOM</b>
	1	881239	DECAL, Logo, Deck	1			
	2	881442	DECAL, Safety	1			
	3	1750411	DECAL, Logo, Cover	1			



Supercessions Ref #	Part #	Description	Qty	Context Note	Foot Note	UOM
1	100802-0117-B8	* ENGINE, 750 Series, Briggs & Stratton	1	(Engine Model: 100802-0117- B8)	NOTE: * Purchase engine components directly from engine manufacturer dealer.	
2	701291	DECK, 21"	1			
3	701181	BOLT, Hex Flange	4			
4	701328	BUMPER, 21"	1			
5	701183	NUT, Hex, Nylon Insert, Torque Type	30			
6	701184	SCREW, Truss Head, Cross Recessed	3			
7	701185	SCREW, Truss Head, Cross Recessed	4			
8	701186	SCREW, Inner Hexagon, Round Head, Tapping	4			
9	701329	DEFLECTOR, Lower	1			
10	701187	SCREW, Hex Flange, Tapping	6			
11	701292	SHAFT, Rear Deflector	1			
12	701293	DEFLECTOR, Rear	1			
13	701294	SHIELD, Outer	2			
14	701295	SHIELD, Inner Ring	1			
16	701297	BOLT, Hex Flange	4			
17	701192	KEY, Woodruff	2			
18	701331	PULLEY, Engine	1			

19	701298	SCREW, Inner Hexagon Recessed	1	
20	701299	SHIELD, Lower Belt	1	
21	701255	ADAPTOR, Blade	1	
22	701256	DISC, Friction	2	
23	701332	BLADE, 21"	1	
24	701257	CLIP	1	
25	701196	SPRING, Dishing	1	
26	701197	BOLT, Blade	1	
75	701310	SPRING, Torsion	1	
76	701311	COVER, Rear	1	
77	701312	SHAFT, Rear Cover	1	
78	701313	SHIELD, Upper Pulley	1	
79	701226	SCREW, Inner Hexagon Tapping	2	
H	701314	GRASS CATCHER ASSEMBLY	1	(Includes Ref. Nos. 80 & 81)
80	-----	FRAME, Grass Catcher	1	(Not a serviceable part, order Ref. H)
81	-----	BAG, Grass Catcher	1	(Not a serviceable part, order Ref. H)
I	701346	BRACKET ASSEMBLY, Right	1	(Includes Ref. Nos. 5, 82, 83, 84, 85, 86, 87, 88, 89, 90 & 91)
J	701354	BRACKET ASSEMBLY, Left	1	(Includes Ref. Nos. 5, 82, 83, 84, 85, 88, 89, 90, 91, 92 & 93)
82	701347	BOLT, Hexangular,	10	

		Full Thread	
83	-----	COVER, Bracket	2 (Not a serviceable part, order Ref. I or J)
84	-----	AVS ASSEMBLY	2 (Not a serviceable part, order Ref. I or J)
85	-----	PLUG, AVS	2 (Not a serviceable part, order Ref. I or J)
86	-----	BRACKET, Right	1 (Not a serviceable part, order Ref. I)
87	-----	BASE, Right Bracket	1 (Not a serviceable part, order Ref. I)
88	701319	BOLT, Carriage	2
89	701229	BOLT, Carriage	2
90	701353	BOLT, Hex Flange	2
91	701228	NUT, Hex, Nylon Insert, Torque Type	6
92	-----	BASE, Left Bracket	1 (Not a serviceable part, order Ref. J)
93	-----	BRACKET, Left	1 (Not a serviceable part, order Ref. J)
94	702122	PLUG, Mulch, 21"	1
95	702121	BLADE, Mulch, 21"	1 (Optional Accessory)

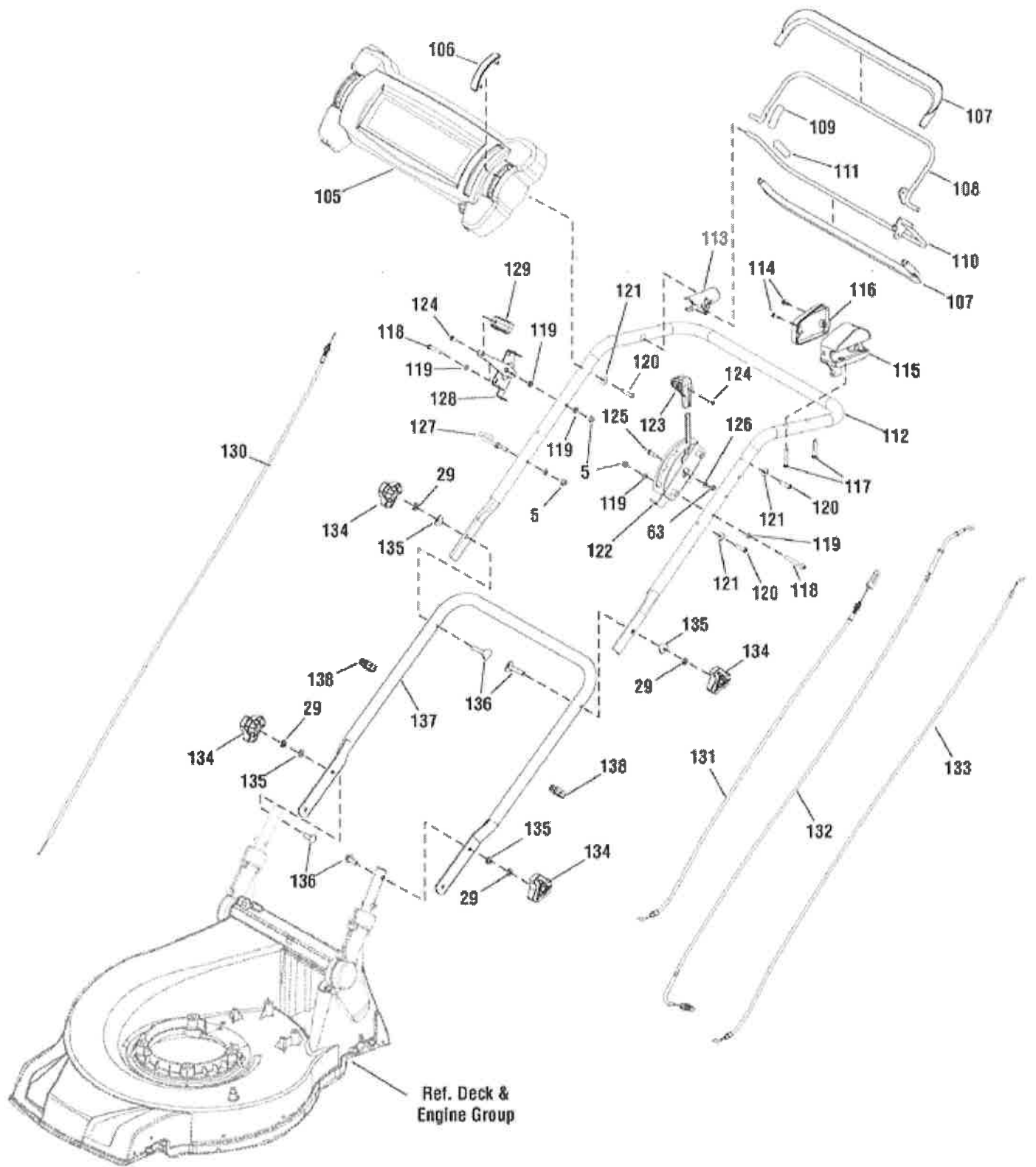


Supercessions	Ref #	Part #	Description	Qty	Context Note	Foot Note	UOM
	10	701187	SCREW, Hex Flange, Tapping	8			
	15	701330	V BELT, V10 × 845	1			
	27	701258	COVER, Wheel	4			
	28	701259	BOLT, Hexangular, Full Thread	4			
	29	701231	WASHER, Spring	4			
	30	701230	WASHER, Flat, C- Class	4			
	31	701199	BEARING	10			
	32	701333	WHEEL, Rear, 9"	2			
	33	701261	RING, Check	2			
	34	701201	WASHER, Anti- friction	2			
	35	701202	OIL BEARING B	4			
	36	701203	PINION, Left	1			
	37	701302	SHIELD, Dust, Rear	2			
	38	701204	SPACER, Axle	2			
	39	701262	BEARING SHEATH	2			
	40	701206	RING, Dustproof	2			
	41	701263	RING, Elastic, For A- form Axle	2			
	42	701264	WASHER, Left Bearing Bracket	1			
	43	701207	BALL BEARING, Nylon	2			
	44	701335	TRANSMISSION, Variable Speed, 538	1			
	45	701210	PIN, Sliding	2			
	46	701211	SPACER, Transmission	1			
	47	701337	CAPSCREW, Hex Socket Head	1			
E	701336	SPEED VARIATOR ASSEMBLY	1	(Includes Ref. Nos. 48, 49, 50, 51, 52, 53, 54 & 55)			
	48	701338	WASHER, Spring	1			
	49	701339	RING, Elastic, For A- form Axle	2			
	50	701340	RING, Spring Shield	1			
	51	-----	SPRING, Compression	1	(Not a serviceable part, order Ref. E)		
	52	-----	Mobile Disc of Pulley	1	(Not a serviceable part, order Ref. E)		



53	-----	DISC, Lower Pulley	1	(Not a serviceable part, order Ref. E)
54	-----	ADAPTER, Hexagon	1	(Not a serviceable part, order Ref. E)
55	701345	WASHER, Inner Hexagon	1	
56	701212	PINION, Right	1	
57	701213	LEVER, Height Adjust	1	
58	701214	WASHER, Wheel Axle	4	
59	701269	SPACER, Spring	4	
60	701304	BOLT, Hexangular, Full Thread	1	
61	701216	SPRING, Armature	1	
62	701217	BOLT, Hexangular	1	
63	701218	NUT, Hex, Nylon Insert, Torque Type	2	
64	701305	AXLE, Rear	1	
65	701306	CONNECTING ROD	1	
66	701220	WASHER, Nylon	2	
67	701270	CHECK RING	2	
68	701271	CHECK CAP	1	
69	701307	SPRING, Connecting Rod	1	
70	701273	BRACKET, Upper Ball Bearing	2	
71	701308	AXLE, Front	1	
72	701274	WHEEL, Front, 8"	2	
73	701222	BALL BEARING, Nylon	4	
74	701275	BRACKET, Front Ball Bearing	2	
K	701357	TENSIONAL MECHANISM ASSEMBLY	1	(Includes Ref. Nos. 91, 94, 95, 96, 97, 98, 99, 100, 101, 102, 103 & 104)
91	701228	NUT, Hex, Nylon Insert, Torque Type	3	
94	701358	WASHER, Large	1	
95	701359	BOLT, Hex Flange, Tapping	2	
96	-----	PLATE, Tension	1	(Not a serviceable part, order Ref. K.)
97	701361	SPRING, Tension	1	
98	701362	SPACER, Nylon	2	

99	-----	BRACKET, Pulley	1	(Not a serviceable part, order Ref. K)
100	-----	SPACER, Pulley	2	(Not a serviceable part, order Ref. K)
101	-----	PULLEY, Tension	2	(Not a serviceable part, order Ref. K)
102	-----	BALL BEARING, Deep Groove	2	(Not a serviceable part, order Ref. K)
103	-----	RING, Elastic, For A- form Axle	2	(Not a serviceable part, order Ref. K)
104	701368	BOLT, Pulley	2	



Supercessions	Ref #	Part #	Description	Qty	Context	Note	Foot	Note	UOM
	5	701183	NUT, Hex, Nylon Insert, Torque Type	2					
	29	701231	WASHER, Spring	4					
	63	701218	NUT, Hex, Nylon Insert, Torque Type	1					
	105	701317	PANEL, Handle Cover	1					
	106	701281	INSERT, Throttle Cover	1					
	107	701321	COVER, Handle	2					
	108	701322	LEVER, Brake	1					
	109	701233	COVER, Brake	1					
	110	701323	LEVER, Clutch	1					
	111	701235	COVER, Clutch	1					
	112	701324	HANDLE, Upper	1					
	113	701285	HINGE	1					
	114	701237	SCREW, Pan Head, Cross Recessed Tapping	2					
	115	701369	CABLE BOX, Control Lever	1					
	116	701286	COVER, Cable Box	1					
	117	701238	SCREW, Pan Head, Cross Recessed Tapping	2					
	118	701239	SCREW, Pan Head, Cross Recessed, H-Form	3					
	119	701240	WASHER, Flat, C Class	8					
	120	701241	SCREW, Pan Head, Cross Recessed Tapping	4					
	121	701242	WASHER, Large, A-Class	4					
	122	701370	FRAME, Speed Adjustment	1					
	123	701371	GRIP, Speed Adjustment	1					
	124	701243	SCREW, Pan Head, Cross Recessed Tapping	2					
	125	701372	BOLT, Speed Adjustment Cable	1					
	126	701373	WASHER, Flat, C-Class	1					
	127	701244	HOOK, Start Rope	1					
	128	701325	FRAME, Throttle	1					
	129	701245	GRIP, Throttle	1					
	130	701287	CABLE, Throttle	1					
	131	701374	CABLE, Speed Adjustment	1					
	132	701288	CABLE, Clutch	1					
	133	701289	CABLE, Brake	1					
	134	701248	KNOB, Lock	4					
	135	701249	WASHER, Curved	4					
	136	701250	BOLT, Connecting	4					
	137	701375	HANDLE, Lower	1					