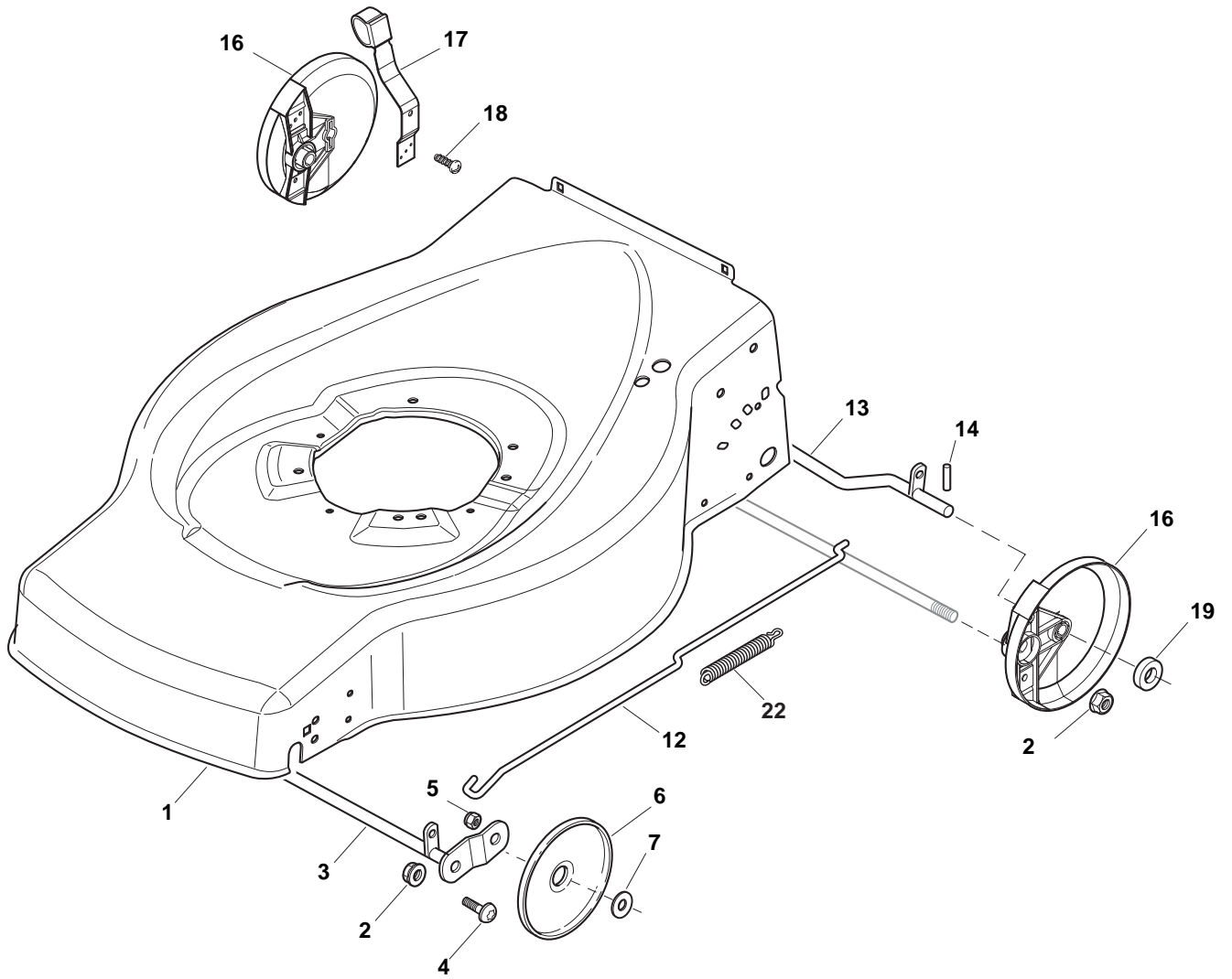


# Illustrated Parts List

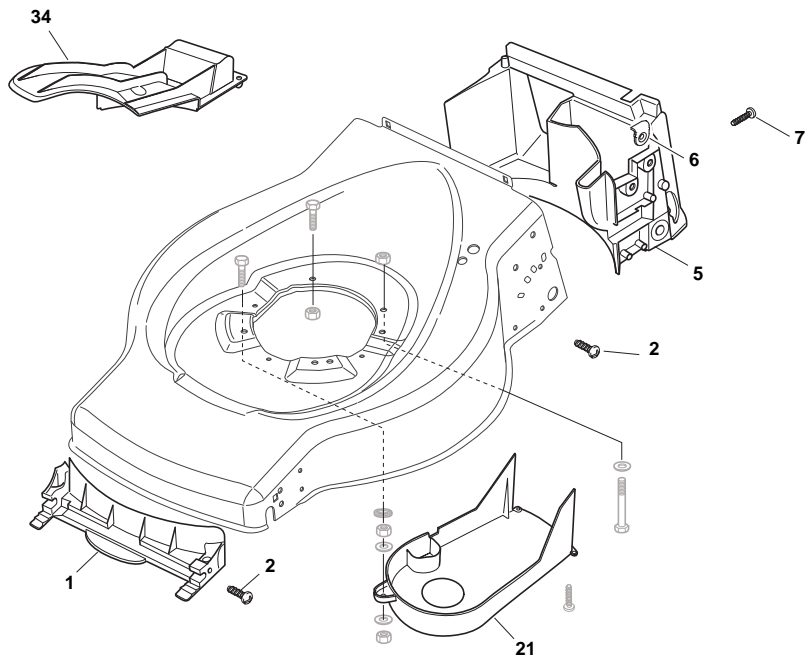
for model:

**COLLECTOR 46 S**

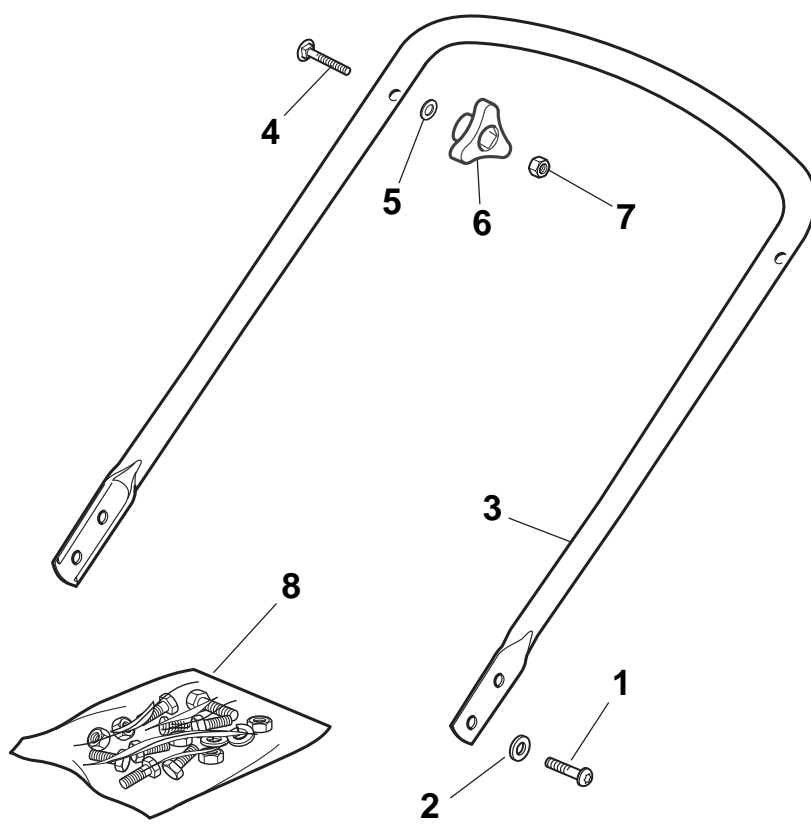


## Deck And Height Adjusting

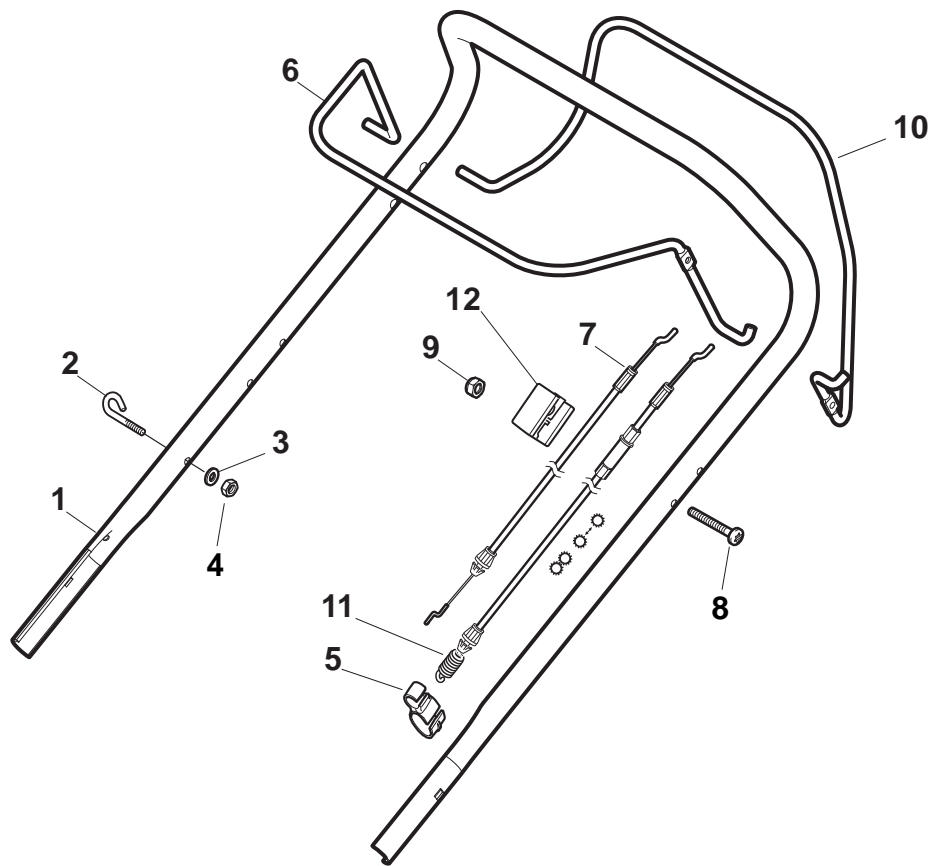
POS	CODE	Q.TY	DESCRIPTION	NOTES
1	381004745/0	1	Deck Grey	
2	122131750/0	2	Nut	
3	381000153/0	1	Axle, Front Wheels	
4	112760600/0	2	Screw	
5	112155000/0	2	Nut	
6	322600095/0	2	Protection, Wheel	
7	325670011/0	2	Washer	
12	122033317/0	1	Adjustment Rod	
13	381000159/0	2	Axle, Rear Wheels	
14	122753001/0	2	Pin	
16	322600106/1	2	Protection, Wheel	
17	381003303/0	1	Lever, Height Adjustment	
18	112728689/0	2	Screw	
19	322170622/0	4	Spacer	



POS	CODE	Q.TY	DESCRIPTION	NOTES
1	322108271/0	1	Front Conveyor Assy	
2	112728686/0	6	Screw	
5	322108272/2	1	Rear Conveyor Assy	
6	322545189/0	4	Plate	
7	112728686/0	2	Screw	
21	322060212/0	1	Protection, Belt	
34	322140226/0	1	Deflector	

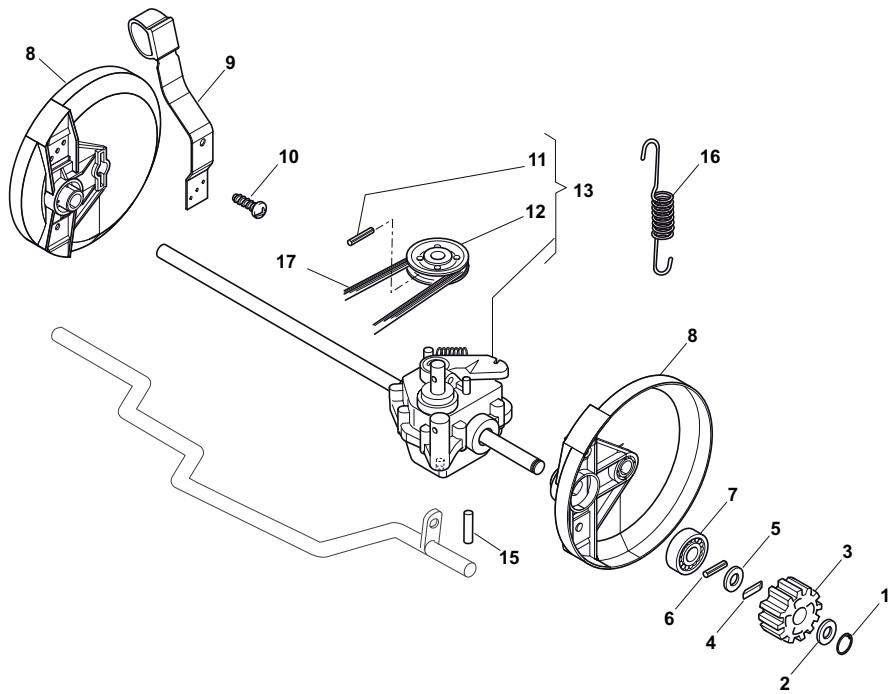


POS	CODE	Q.TY	DESCRIPTION	NOTES
1	112760605/0	4	Screw	
2	112521350/0	4	Washer	
3	381006570/0	1	Handle, Lower Part	Black
4	112819120/0	1	Guide Spring	
5	122671651/0	2	Washer	
6	122399900/0	2	Knob	
7	112293200/0	2	Nut	

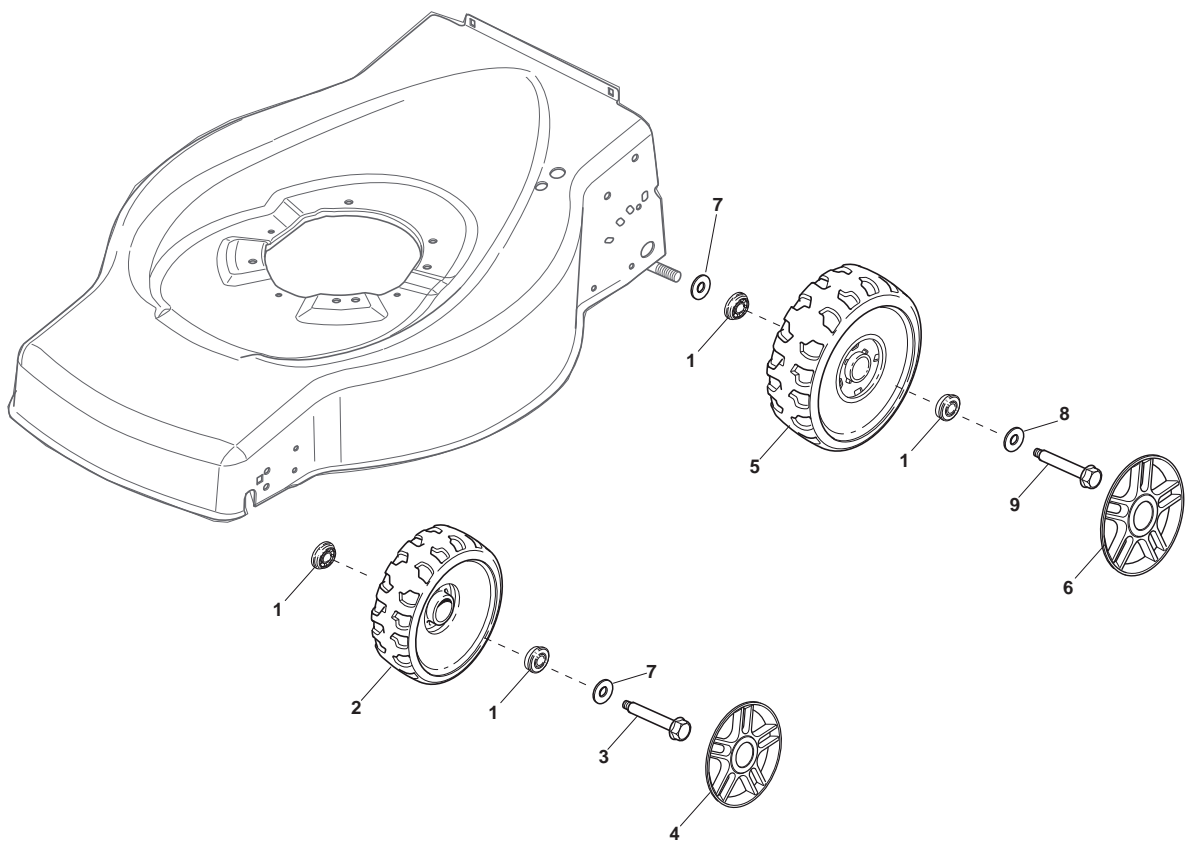




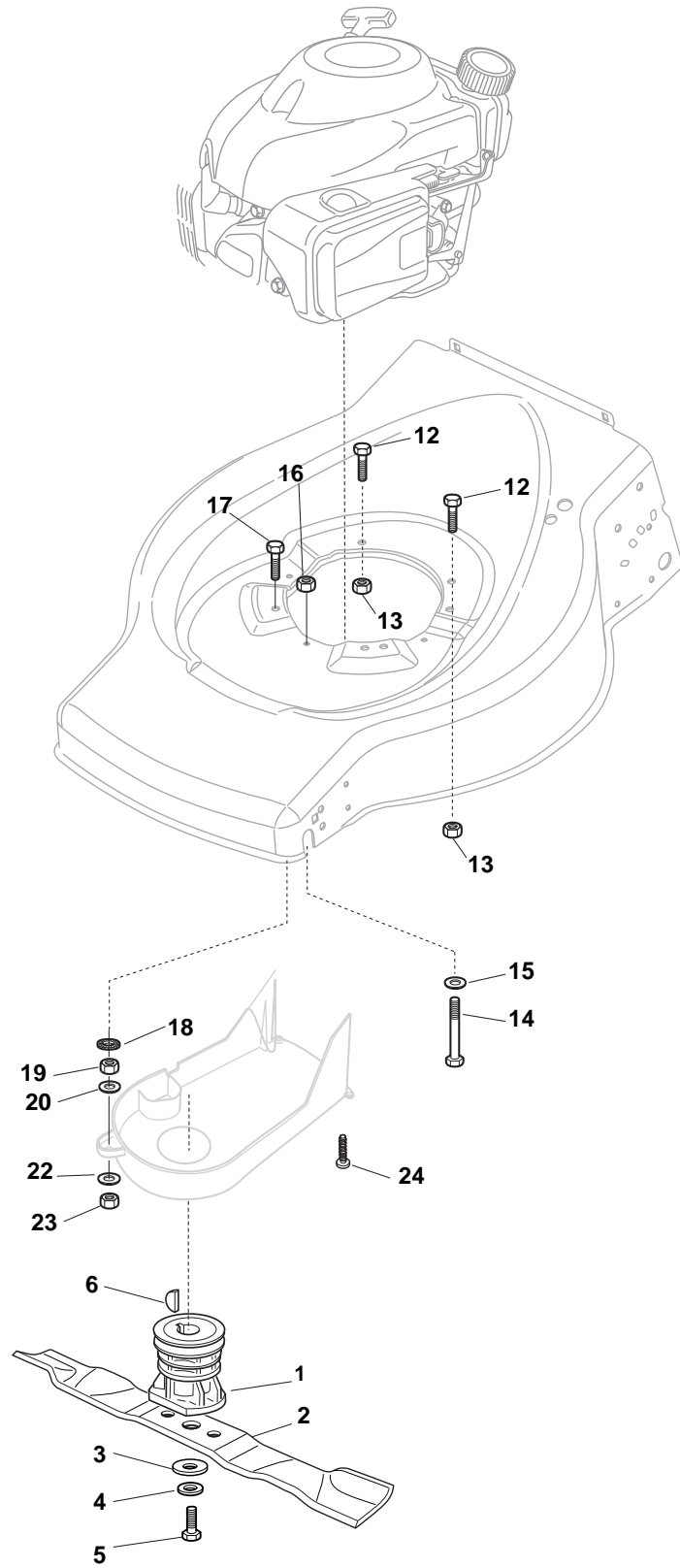
POS	CODE	Q.TY	DESCRIPTION	NOTES
1	381006739/1	1	Handle, Upper Part	
1	381006745/1	1	Handle, Upper Part with sponge handgrip	
2	122430313/0	1	Guide Spring	
3	112521330/0	1	Washer	
4	112154510/0	1	Nut	
5	118390020/0	1	Fairlead	
6	181003363/1	1	Lever, Engine Brake Black	Black
7	181030087/0	1	Cable, Thread Engine Brake	
8	112727783/0	1	Screw	
9	112154510/0	1	Nut	
10	181003364/0	1	Lever, Driving Black	Black
11	381030082/0	1	Cable, Rear Drive	
12	322551640/0	1	Plate	



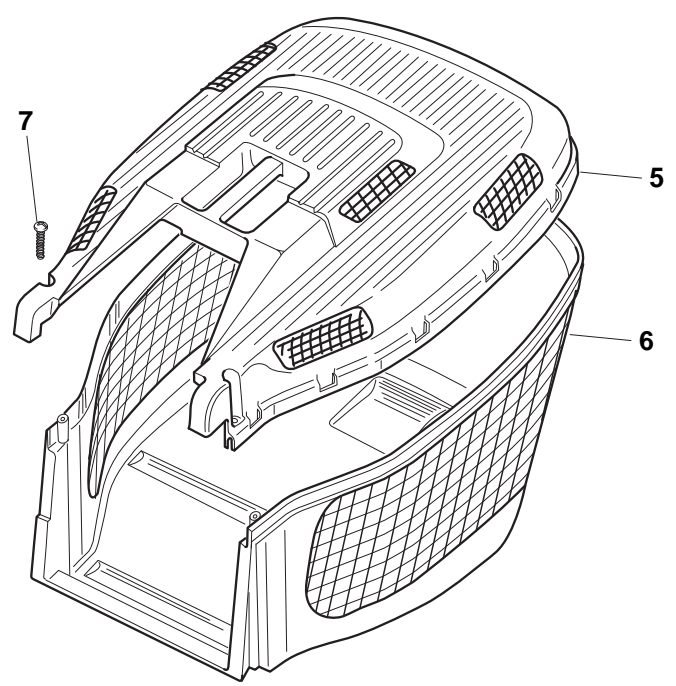
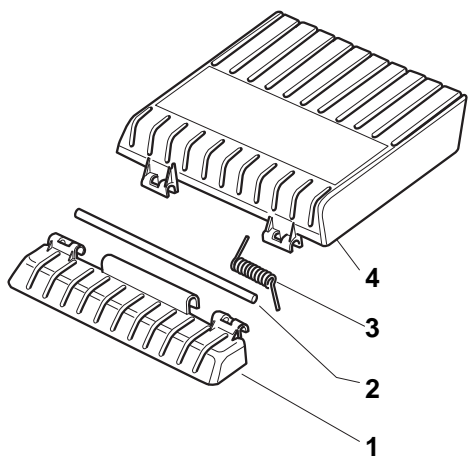
POS	CODE	Q.TY	DESCRIPTION	NOTES
1	112608520/0	2	Seeger	
2	322160520/0	2	Dust Cover	
3	122570125/0	2	Pinion	
4	122076645/0	2	Key	
5	322160520/0	2	Dust Cover	
6	112622620/0	2	Pin	
7	122122202/0	2	Bearing	
8	322600106/1	2	Protection, Wheel	
9	381003303/0	1	Lever, Height Adjustment	
10	112728689/0	2	Screw	
11	112645705/0	1	Dowel	
12	122601909/0	1	Pulley	
13	181003093/1	1	Gear Box	
15	122753001/0	2	Pin	
16	122450438/0	1	Spring	
17	135063750/0	1	Belt	



Wheels				
POS	CODE	Q.TY	DESCRIPTION	NOTES
1	122122200/0	8	Bearing	
2	322686091/1	2	Wheel Ø 165	
3	122524341/0	4	Pin	
4	322110491/0	2	Hub Cap Grey	
5	322686092/0	2	Wheel Ø 190	
6	322110492/0	2	Hub Cap Grey	
7	122675100/0	4	Washer	
9	122524341/0	2	Pin	



POS	CODE	Q.TY	DESCRIPTION	NOTES
1	122465607/3	1	Hub With Pulley, Crankshaft Ø 22.2	
2	181004365/3	1	Blade	
3	122160400/0	1	Elastic Washer	
4	112523080/0	1	Washer	
5	112735698/0	1	Screw	
6	112139100/0	1	Feather, Crankshaft Ø 22.2	
12	112691100/0	2	Screw	
13	112154210/0	2	Nut	
14	112691700/0	2	Screw	
15	112540060/0	1	Washer	
16	112154210/0	1	Nut	
17	112691100/0	3	Screw	
18	112540060/0	1	Washer	
19	112293200/0	1	Nut	
20	122671651/0	1	Washer	
22	325670011/0	1	Washer	
23	112155000/0	1	Nut	
24	112728686/0	2	Screw	





POS	CODE	Q.TY	DESCRIPTION	NOTES
1	322785136/1	1	Support	
2	122517858/0	1	Pin	
3	122450431/0	1	Spring	
4	322600099/2	1	Stone-Guard	Black
5	322486122/0	1	Grassbox Upper Part	
6	322486128/0	1	Grassbox Lower Part	
7	112728686/0	2	Screw	