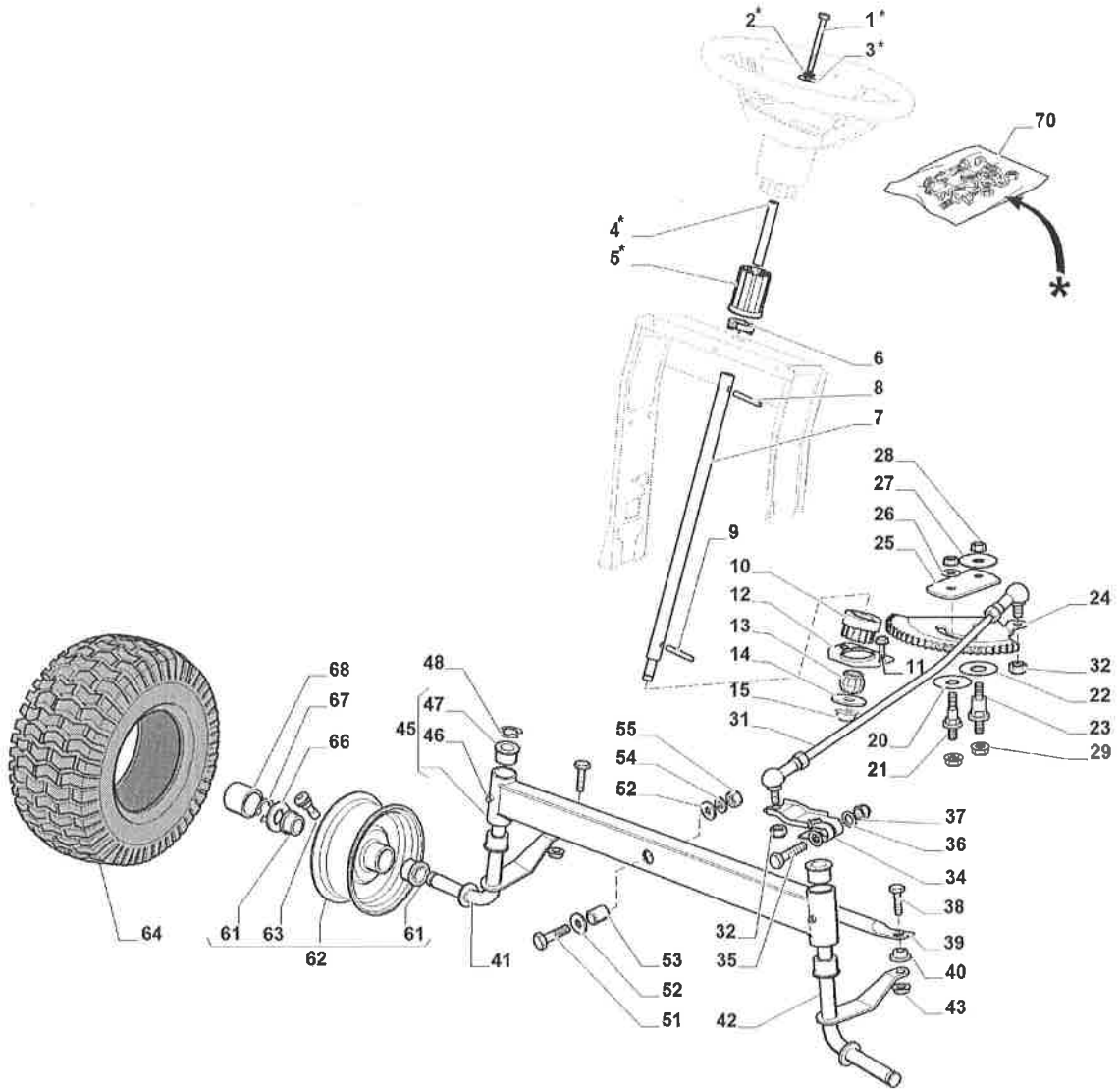




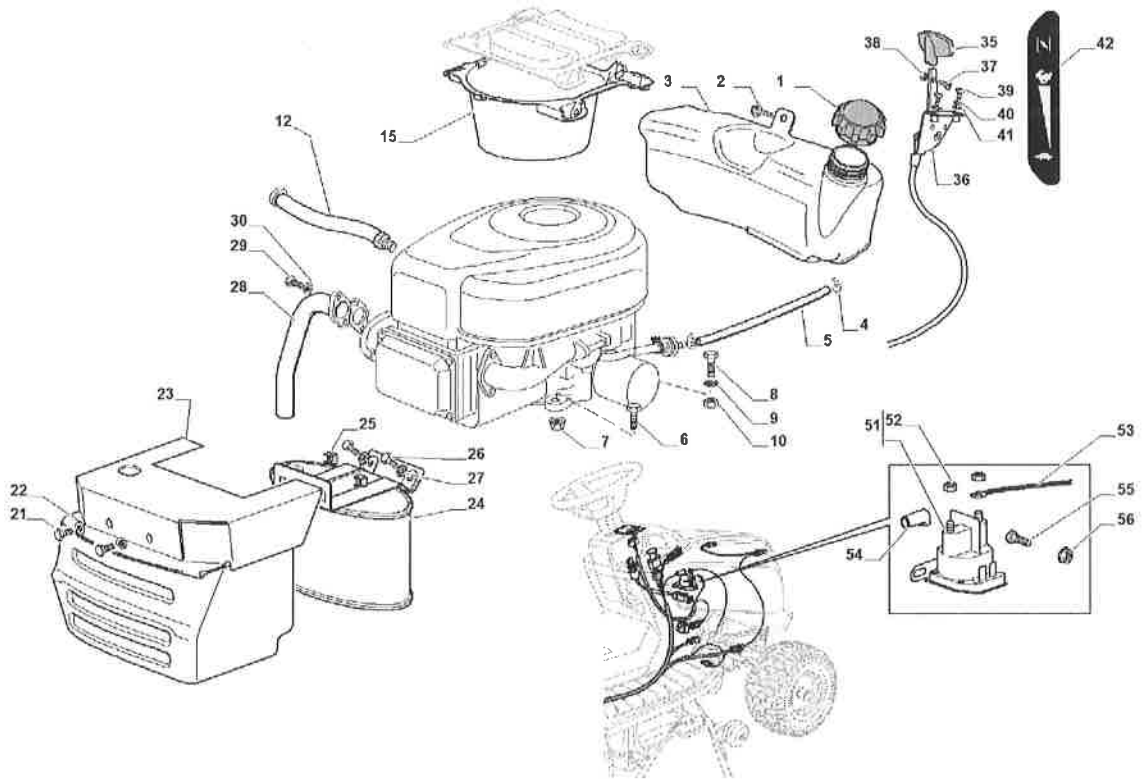
Steering



↕ ↑	Kód	↑ ↓	Popis	↑ ↓	Note	Min Qty
1	112692050/0		Screw			1
2	112540260/0		Washer			1
3	112523070/0		Washer			1
4	125160047/0		Spacer			1
5	325785318/0		Support			1
6	325038008/0		Bushing			1
7	125520007/0		Steering Column			1
8	112620300/0		Spring			1
9	112622650/0		Dowel pin			1
10	125570003/0		Pinion			1
11	127943051/0		Screw			2
12	325785213/1		Support			1
13	325743000/0		Joint			1
14	112521370/0		Washer			1
15	112436030/0		Plate			1
20	322672151/0		Antifriction Washer			1
21	125510104/0		Pin			1
22	125670023/0		Washer			1
23	125510109/0		Pin			1
24	325735519/0		Steering Sector			1
25	325547233/0		Plate			1
26	112369500/0		Elastic Washer			1
27	122160400/0		Elastic Disc			1
28	112155010/0		Nut			2
29	112154210/0		Nut			2
31	382000566/1		Steering Rod			1
32	112156602/0		Nut			2
34	325318243/0		Lever			1
35	112692390/0		Screw			1
36	112521360/0		Washer			2
37	112156602/0		Nut			1
38	125510103/0		Pin			2
39	325840029/0		Tie Rod			1
40	325038007/0		Bushing			2
41	382230369/0		Right Stub Axle			1
42	382230371/0		Left Stub Axle			1
43	112155000/0		Nut			2
45	382034030/0		Equalizer With Bush And Lubricator			1
46	112379511/0		Grease Dispenser			2
47	125034002/1		Bushing			4
48	112001010/0		Benzing Ring			1
51	112692695/0		Screw			1
52	112523100/0		Washer			2
53	125160016/0		Spacer		To 31-august-2013	1
53	125160016/1		Spacer		From 01-september-2013	1
54	112587100/0		Grower			1
55	112295300/0		Nut			1
61	125122200/2		Bearing			4
62	182000598/0		Rimm			2
63	125950000/0		Valve			2
64	125590014/0		Tyre		For other GGP Brand	2
64	125590018/0		Tyre		For Stiga Models	2
64	125590019/0		Tyre		For other GGP Brand;From 01-september-2016	2
64	127590066/0		Tyre		For other GGP Brand;To 31-august-2015	2
66	125670005/1		Washer		To 31-august-2014	2
66	125670005/2		Washer		From 01-september-2014	2
67	112001010/0		Benzing Ring			2
68	322110233/0		Hub Cover			2
70	382180124/0		Outfit, Screws			1



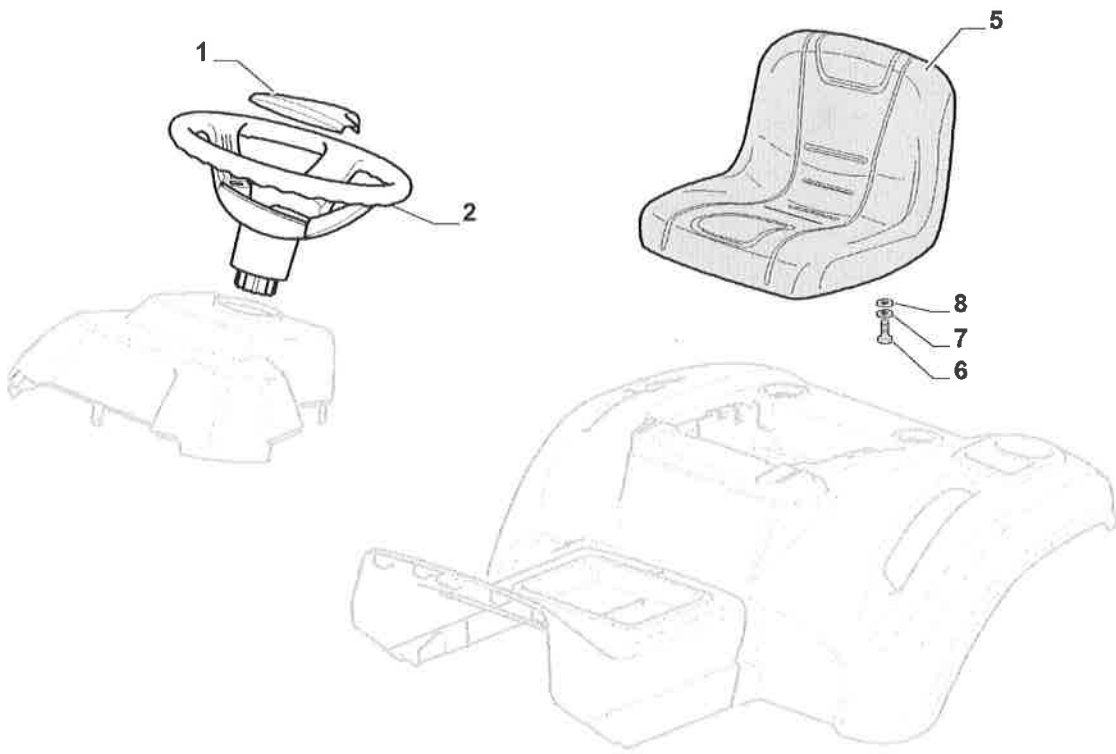
Engine - B&S



☰ ↕	↕ Kód	↕ Popis	↕ Note	Min Qty
1	125795001/1	Cap		1
2	125943010/0	Screw		4
3	325735126/0	Fuel Tank		1
4	118375051/1	Fair Led		2
5	325869057/0	Connecting Tube		1
6	112735108/1	Screw		3
7	112154210/0	Nut		3
8	112691115/0	Screw		1
9	112540260/0	Washer		1
10	112154210/0	Nut		1
12	1134-5827-01	Oil Drain Assy		1
15	325108044/1	Conveyor		1
21	112792611/0	Screw		2
22	112540260/0	Washer		2
23	382598047/0	Muffler Protection		1
24	182750010/0	Muffler		1
25	112360425/0	Nut		2
26	112792611/0	Screw		2
27	112540260/0	Washer		2
28	118738206/0	Exhaust Discharge Tube		1
29	112737450/0	Screw		2
30	112540260/0	Washer		2
35	325394531/0	Knob		1
36	182000216/0	Accelerator		1
37	112726389/0	Screw		1
38	112290800/0	Nut		1
39	112726389/0	Screw		2
40	112540020/0	Washer		2
41	112521310/0	Washer		2
42	114363697/0	Label		1
51	118736111/0	Starter Relay	To 31-august-2015	1
51	118736112/0	Solenoid	From 01-september-2015	1
52	112360352/0	Nut		2
53	125065002/0	Cable		1
54	118564864/1	Protection		1
55	112790781/0	Screw		1
56	112154510/0	Nut		2



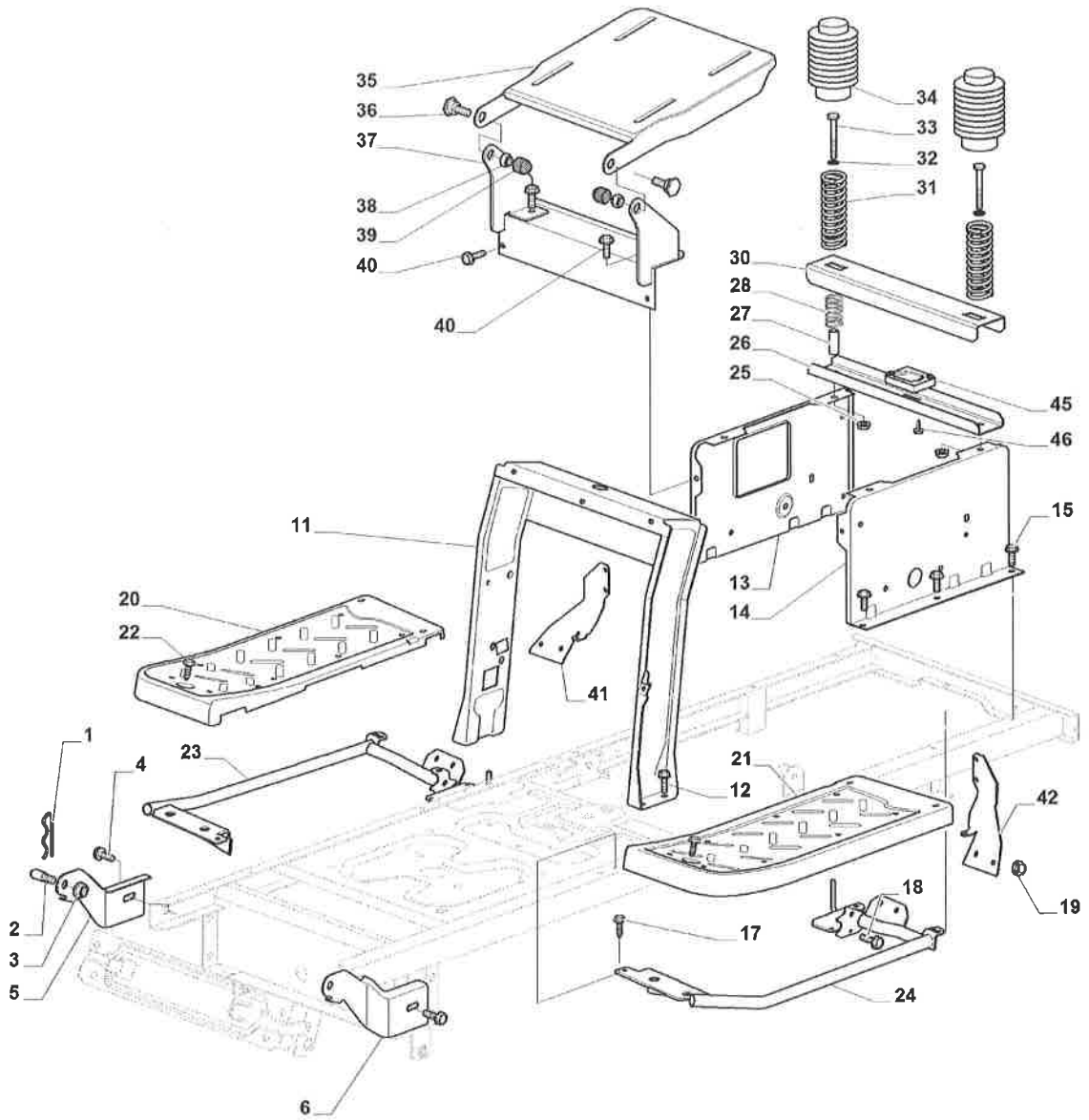
Seat & Steering Wheel



	↑↓	Kód	↑↓	Popis	↑↓	Min Qty	
		1		325580503/0		Steering Plate Cover	1
		2		325961219/0		Steering Wheel	1
		5		125722472/0		Seat	1
		6		112792611/0		Screw	4
		7		112540260/0		Washer	4
		8		112523060/0		Washer	4



# Chassis

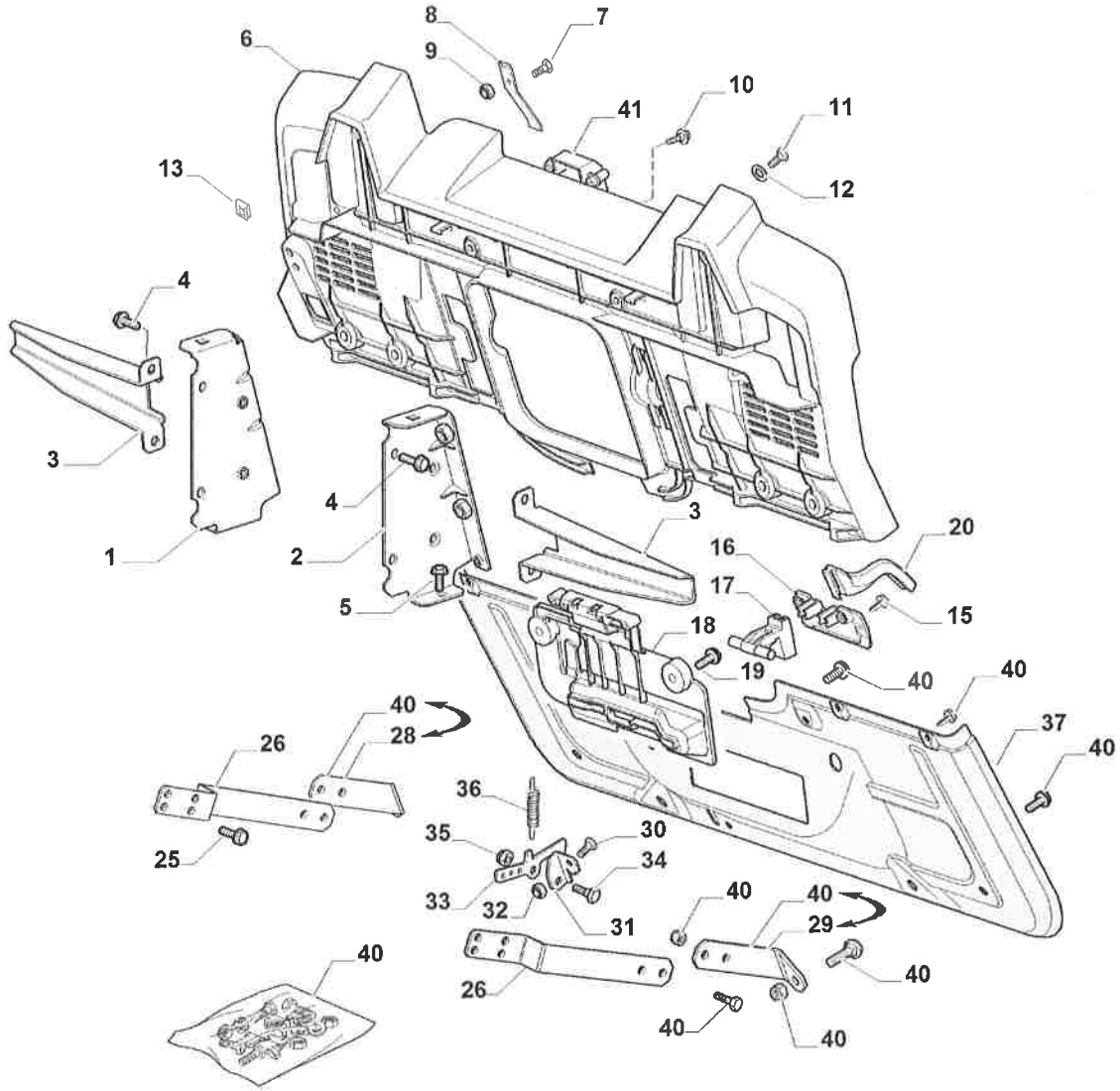


↕	↕ Kód	↕ Popis	↕ Note	Min Qty
1	124487998/0	Cotter Pin		1
2	125510079/0	Pin		2
3	112155000/0	Nut		2
4	112735599/0	Screw		2
5	325547225/0	Right Plate		1
6	325547227/0	Left Plate		1
11	382785169/1	Steering Column Support		1
12	125943009/0	Screw		4
13	325785331/1	Right Seat Support		1
14	325785333/1	Left Seat Support		1
15	125943009/0	Screw		6
17	125943009/0	Screw		2
18	125943009/0	Screw		2
19	112155000/0	Nut		10
20	325500041/1	Right Footboard		1
21	325500043/1	Left Footboard		1
22	112735599/0	Screw		2
23	382785221/0	Footboard Support		1
24	382785223/0	Footboard Support		1
25	112293201/0	Nut		2
26	325820109/1	Seat Support		1
27	125160077/0	Spacer		2
28	125430263/0	Spring		2
30	325820111/0	Support		1
31	125430264/0	Spring		2
32	112521350/0	Washer		2
33	112691400/0	Screw		2
34	325122002/0	Hood		2
35	382547061/0	Plate		1
36	122524970/2	Fulcrum Pin	To 31-august-2014	2
36	122524970/3	Pin	From 01-september-2014	2
37	382820151/0	Seat Support		1
38	112155010/0	Nut		2
39	118203854/0	Cap		2
40	125943009/0	Screw		12
41	325650155/0	Support		1
42	325650157/0	Support		1
45	325785379/0	Support		1
46	112728686/0	Screw		2





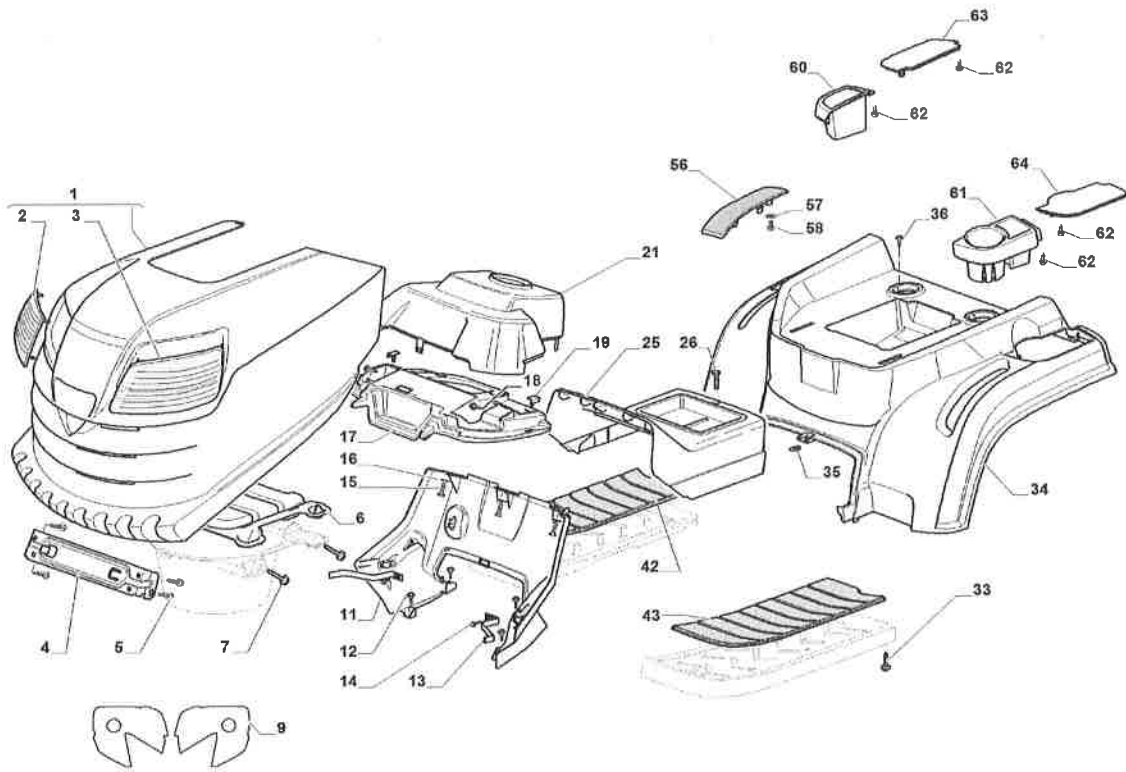
Chassis



↕	↕	Kód	↕	Popis	↕	Note	Min Qty
1		325774501/0		Clamp			1
2		325774507/0		Clamp			1
3		325650163/0		Stiffening			2
4		125943009/0		Screw			8
5		125943009/0		Screw			2
6		325547299/0		Rear Plate, Upper Part			1
7		112789008/0		Screw			1
8		127430554/0		Spring		To 31-august-2013	1
8		127430600/0		Spring		From 01-september-2013	1
9		112154330/0		Nut			1
10		125943010/0		Screw			4
11		112789008/0		Screw			6
12		112521320/0		Washer			6
13		112437503/0		Plate			6
15		112728686/0		Screw			2
16		325109522/0		Protection Cover			1
17		325318276/0		Gearshift			1
18		325785400/0		Support		To 31-august-2012	1
18		325785428/0		Support		From 01-september-2012	1
19		125943010/0		Screw			2
20		325318277/0		Lever			1
25		125943009/0		Screw			4
26		325774521/0		Clamp			2
28		325650151/0		Stiffening			1
29		325650153/0		Stiffening			1
30		112789008/0		Screw			1
31		325755061/0		Bracket			1
32		112154330/0		Nut			1
33		325774533/0		Clamp			1
34		125510080/1		Pin		To 31-august-2015	1
34		125510080/2		Pin		From 01-september-2015	1
35		112154510/0		Nut			1
36		125430282/0		Spring			1
37		382547071/0		Rear Plate, Lower Part			1
40		382180121/0		Outfit, Screws			1
41		325600107/0		Micro Protection			1



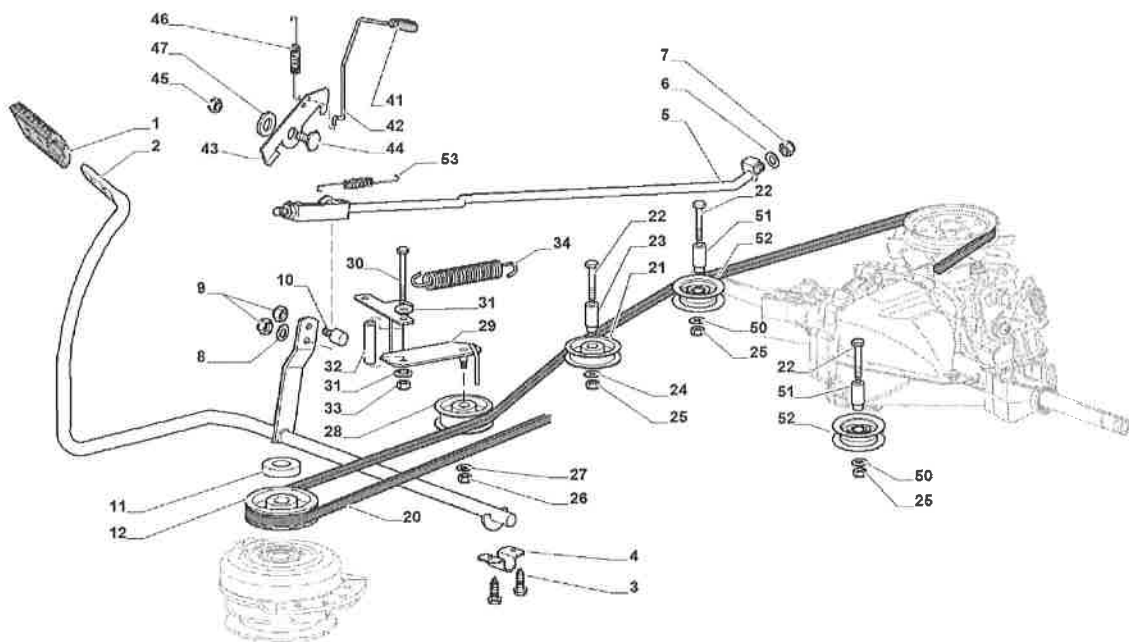
Body



↻ ↑↓	Kód	↑↓ Popis	↑↓ Note	Min Qty
1	325076899/0	Engine Hood Black	To 31-august-2015	1
1	325076899/1	Engine Hood Black	From 01-september-2015	1
2	325410887/0	Right Grill		1
3	325410888/0	Left Grill		1
4	325785317/0	Engine Hood Support		1
5	112735403/0	Screw		4
6	325263302/1	Air Intake Grill		1
7	112728692/0	Screw		4
9	114363452/0	Light Reflected Label		1
11	325785298/0	Dashboard Support		1
12	125943010/0	Screw		4
13	325270325/0	Guide		2
14	112735599/0	Screw		2
15	112735406/0	Screw		3
16	112523040/0	Washer		3
17	325120209/0	Dashboard	To 31-august-2014	1
17	325120259/0	Dashboard	From 01-september-2014 To 31-august-2015	1
17	325120259/1	Dashboard	From 01-september-2015	1
18	125943010/0	Screw		2
19	325260003/0	Grommet		2
21	325120203/0	Cover		1
25	325110397/1	Black Central Cover		1
26	125943010/0	Screw		1
33	112735406/0	Screw		4
34	325110435/0	Black Wheels Cover		1
35	112437506/0	Plate		1
36	125943010/0	Screw		2
42	325110384/0	Right Footboard Cover		1
43	325110385/0	Left Footboard Cover		1
56	325207203/0	Cover		1
57	112523050/0	Washer		4
58	112735403/0	Screw		2
60	325207198/0	Cover		1
61	325207199/0	Cover		1
62	112735403/0	Screw		4
63	325207196/0	Cover		1
64	325207197/0	Cover		1



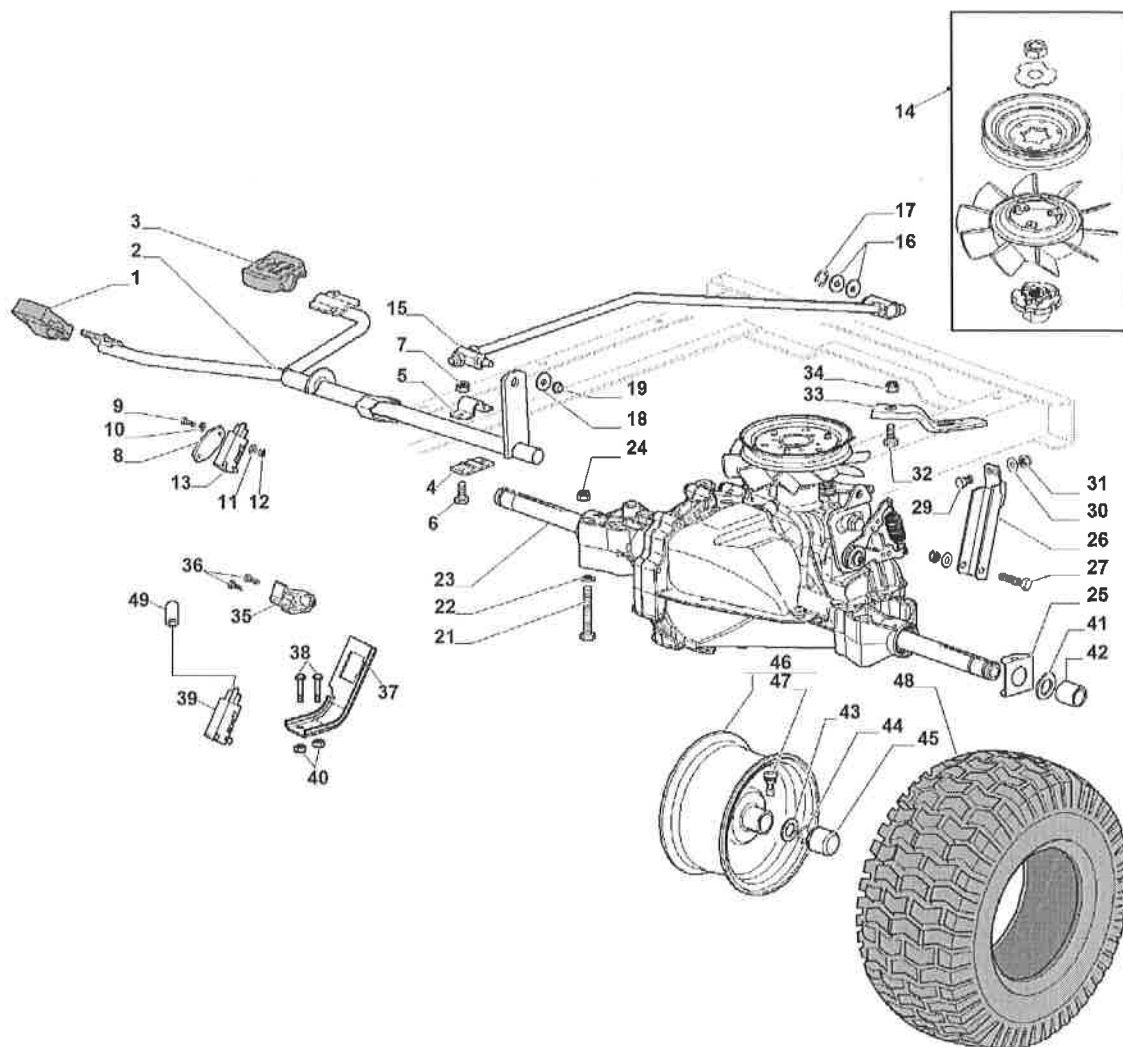
Brake And Gearbox Controls



	↕	↕	↕	↕	↕
	Kód	Popis	Note	Min Qty	
1	325110409/0	Clamp Cover		1	
2	382000641/0	Pedal		1	
3	112735599/0	Screw		4	
4	325547231/0	Plate		2	
5	382000636/0	Rod		1	
6	112521360/0	Washer		1	
7	112156602/0	Nut		1	
8	325670011/0	Antifriction Washer		1	
9	112155000/0	Nut		2	
10	125510116/0	Pin		1	
11	125160021/0	Spacer		1	
12	125601577/0	Pulley		1	
20	135062001/0	Trapezoidal Belt	To 31-august-2014	1	
20	135062020/1	Trapezoidal Belt	From 01-september-2014	1	
21	125601555/0	Pulley	To 31-august-2013	1	
21	325601599/0	Pulley	From 01-september-2013	1	
22	112691400/0	Screw		3	
23	125160051/0	Spacer	To 31-august-2013	1	
23	125160083/0	Spacer	From 01-september-2013	1	
24	112523060/0	Washer		3	
25	112155000/0	Nut		3	
26	112155000/0	Nut		1	
27	112523060/0	Washer		1	
28	125601554/0	Pulley		1	
29	382318245/0	Lever		1	
30	112691600/0	Screw		1	
31	125038002/1	Bushing	To 31-august-2016	2	
31	125038021/0	Bushing	From 01-september-2016	2	
32	125160027/0	Spacer		1	
33	112155000/0	Nut		1	
34	125430262/0	Spring		1	
41	125394509/1	Knob	From 01-september-2013	1	
41	325394534/0	Knob	To 31-august-2013	1	
42	125033083/0	Rod	To 31-august-2013	1	
42	125033113/0	Rod	From 01-september-2013	1	
43	325253011/1	Hook		1	
44	122524970/2	Fulcrum Pin	To 31-august-2014	1	
44	122524970/3	Pin	From 01-september-2014	1	
45	112155000/0	Nut		1	
46	125430213/0	Spring		1	
47	112523060/0	Washer		1	
50	112521350/0	Washer		2	
51	125160068/0	Spacer		2	
52	125601592/0	Pulley		2	
53	125430269/1	Spring		1	



# Transmission

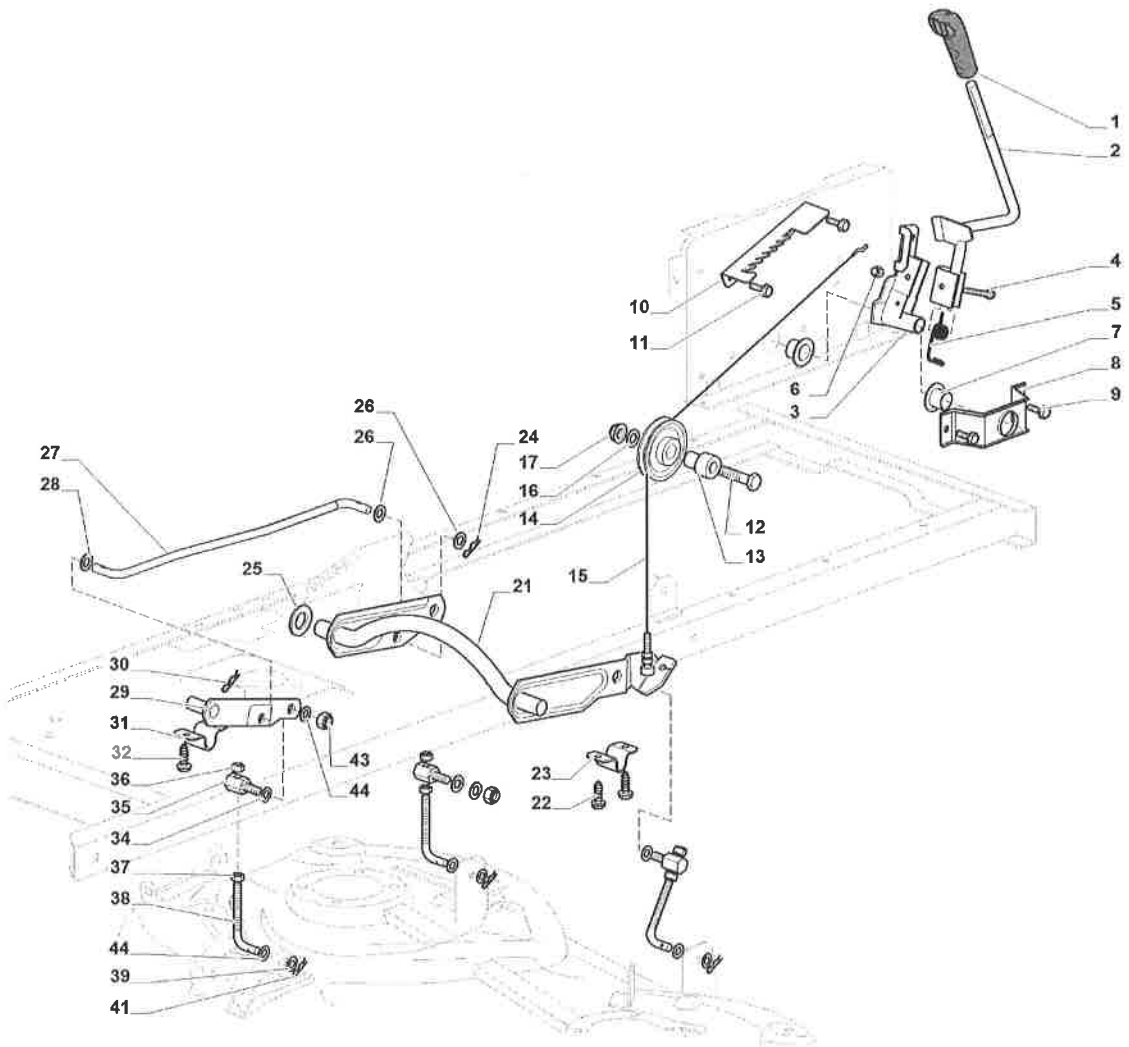


	↕	↕	↕	↕	↕
	↕	Kód	Popis	Note	Min Qty
1		325110274/0	Clamp Cover Front		1
2		382000574/2	Drive Pedal		1
3		325110331/0	Clamp Cover Rear		1
4		325785350/0	Support		2
5		325547231/0	Plate		2
6		112791213/1	Screw		4
7		112154510/0	Nut		4
8		327546019/0	Neutral Switch Fixing Plate		1
9		112735602/0	Screw		2
10		112540020/0	Washer		2
11		112581100/0	Grower		2
12		112290791/0	Nut		2
13		119410609/1LC	Micro Switch		1
14		1139-2201-01	Kit, Fan Pulley		1
14		118802721/0	Fan Kit	To 31-august-2016	1
15		382000573/1	Rod		1
16		325670011/0	Antifriction Washer		2
17		112000940/0	Benzing Ring		1
18		112523040/0	Washer		1
19		112154510/0	Nut		1
21		112691600/0	Screw		4
22		112521350/0	Washer		4
23		118400921/0	Rear Axle (Hydro-Gear T2-Adbf-2X3C-1Rx1)		1
24		112155000/0	Nut		4
25		325670026/0	Washer		2
26		325785349/1	Support		1
27		112691700/0	Screw		1
29		112792611/0	Screw		1
30		112523060/0	Washer		2
31		112155000/0	Nut		2
32		112791213/1	Screw		1
33		325318251/0	Lever		1
34		112154510/0	Nut		1
40		112154510/0	Nut		2
36		112735403/0	Screw		2
38		112791400/0	Screw		2
39		119410614/0	Microswitch		1
35		325060034/1	Cam		1
37		325774573/0	Clamp		1
41		125670005/2	Washer		2
42		125160058/0	Spacer		2
43		125670005/2	Washer		6
44		112001010/0	Benzing Ring		2
45		322110233/0	Hub Cover		2
46		382000597/0	Rimm		2
47		125950000/0	Valve		2
48		125590015/0	Tyre		2
49		118203851/0	Cap		1





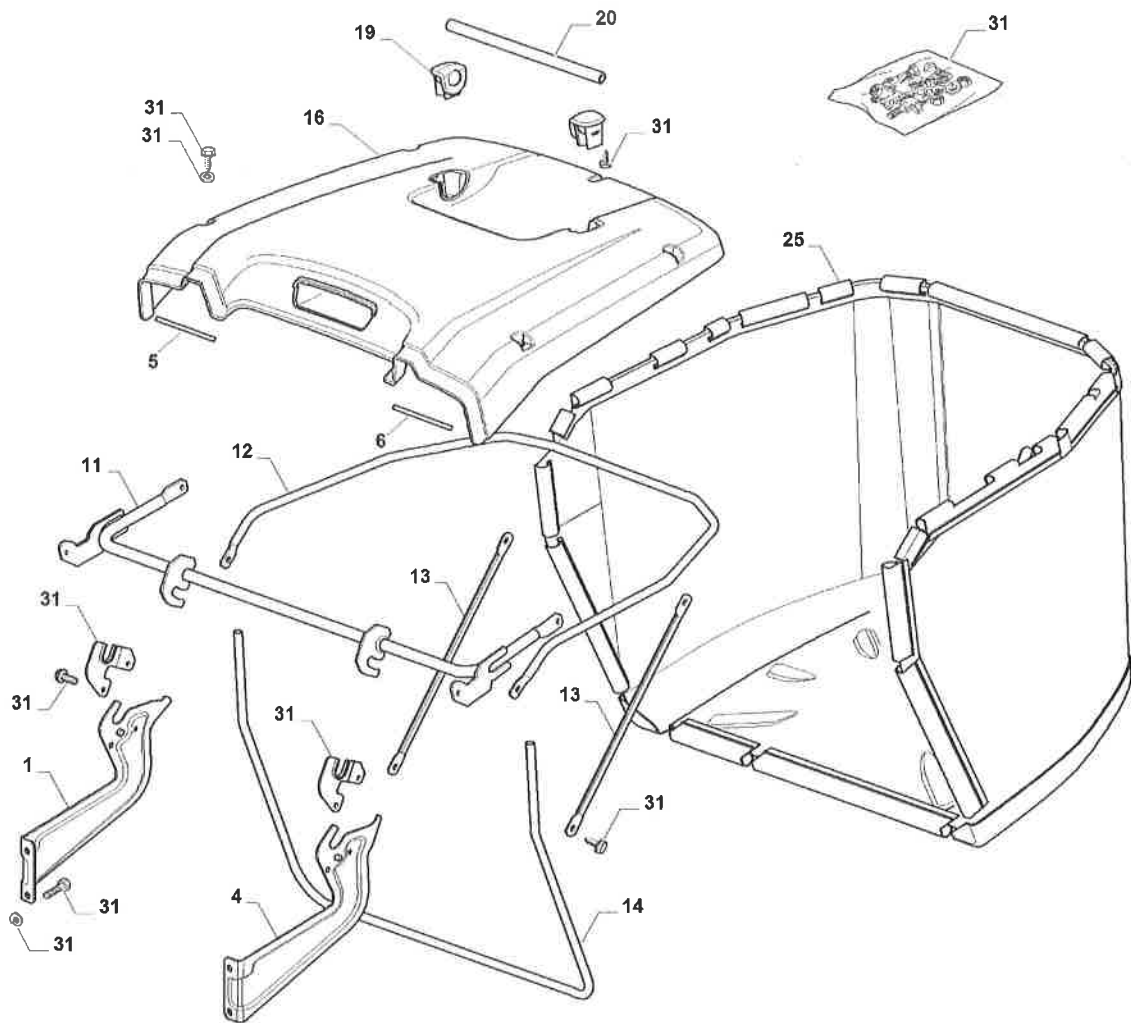
# Cutting Plate Lifting




	↕	↕	↕	↕
		Kód	Popis	Min Qty
1		325394533/0	Knob	1
2		382318255/0	Lever	1
3		382318231/0	Axle	1
4		112674700/0	Screw	1
5		125430261/0	Spring	1
6		112154510/0	Nut	1
7		325038006/0	Bushing	2
8		325785297/0	Support	1
9		125943009/0	Screw	2
10		325735515/0	Steering Sector	1
11		125943009/0	Screw	2
12		112793701/0	Screw	1
13		125040636/1	Bushing	1
14		125601579/0	Pulley	1
15		382004620/0	Wire	1
16		112523060/0	Washer	1
17		112293201/0	Nut	1
21		382318297/0	Axle	1
22		112735599/0	Screw	4
23		325547231/0	Plate	2
24		124487997/0	Cotter Pin	1
25		112521390/0	Washer	2
26		325670010/0	Antifriction Washer	2
27		125033109/0	Connecting Rod	1
28		325670010/0	Antifriction Washer	1
29		382318293/0	Axle	1
30		124487997/0	Cotter Pin	1
31		325547231/0	Plate	1
32		112735599/0	Screw	2
34		325670008/1	Washer	3
35		125510107/1	Pin	3
36		112156602/0	Nut	3
37		112295200/0	Nut	3
38		125840012/0	Tie Rod	3
39		325670008/1	Washer	3
41		124487998/0	Cotter Pin	3
43		112156602/0	Nut	3
44		112521360/0	Washer	6



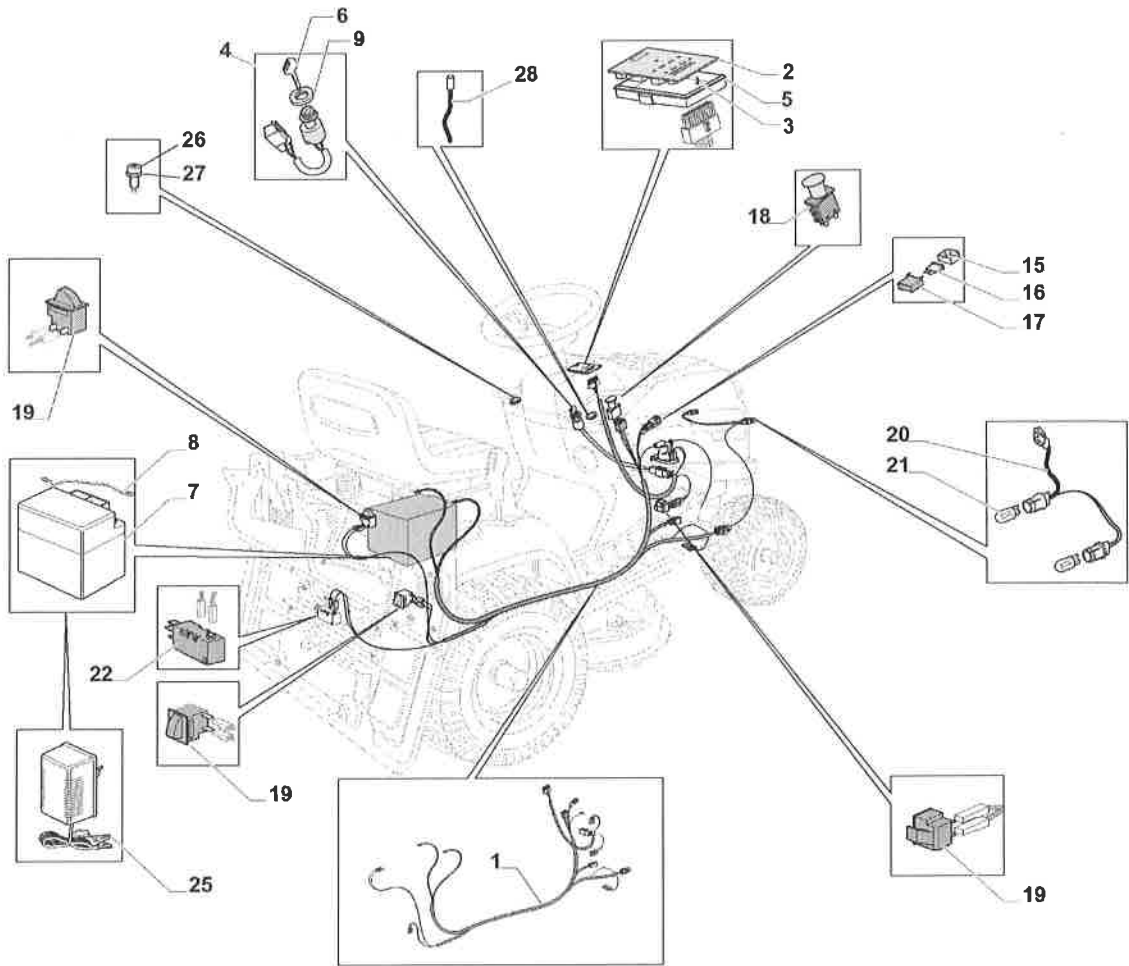
Grasscatcher



	↑↓	Kód	↑↓	Popis	↑↓	Min Qty	
		1		325785377/0		Support	1
		4		325785383/0		Support	1
		5		125270802/0		Seal	1
		6		125270803/0		Seal	1
		11		382800147/0		Upper Frame	1
		12		382800145/0		Upper Frame	1
		13		325650161/0		Stiffening	2
		14		382800143/0		Front Frame	1
		16		325110437/0		Black Grass-Catcher Cover	1
		19		325785417/0		Support	2
		20		325394538/0		Handle	1
		25		182105942/0		Grasscatcher	1
		31		382180122/0		Outfit, Screws	1



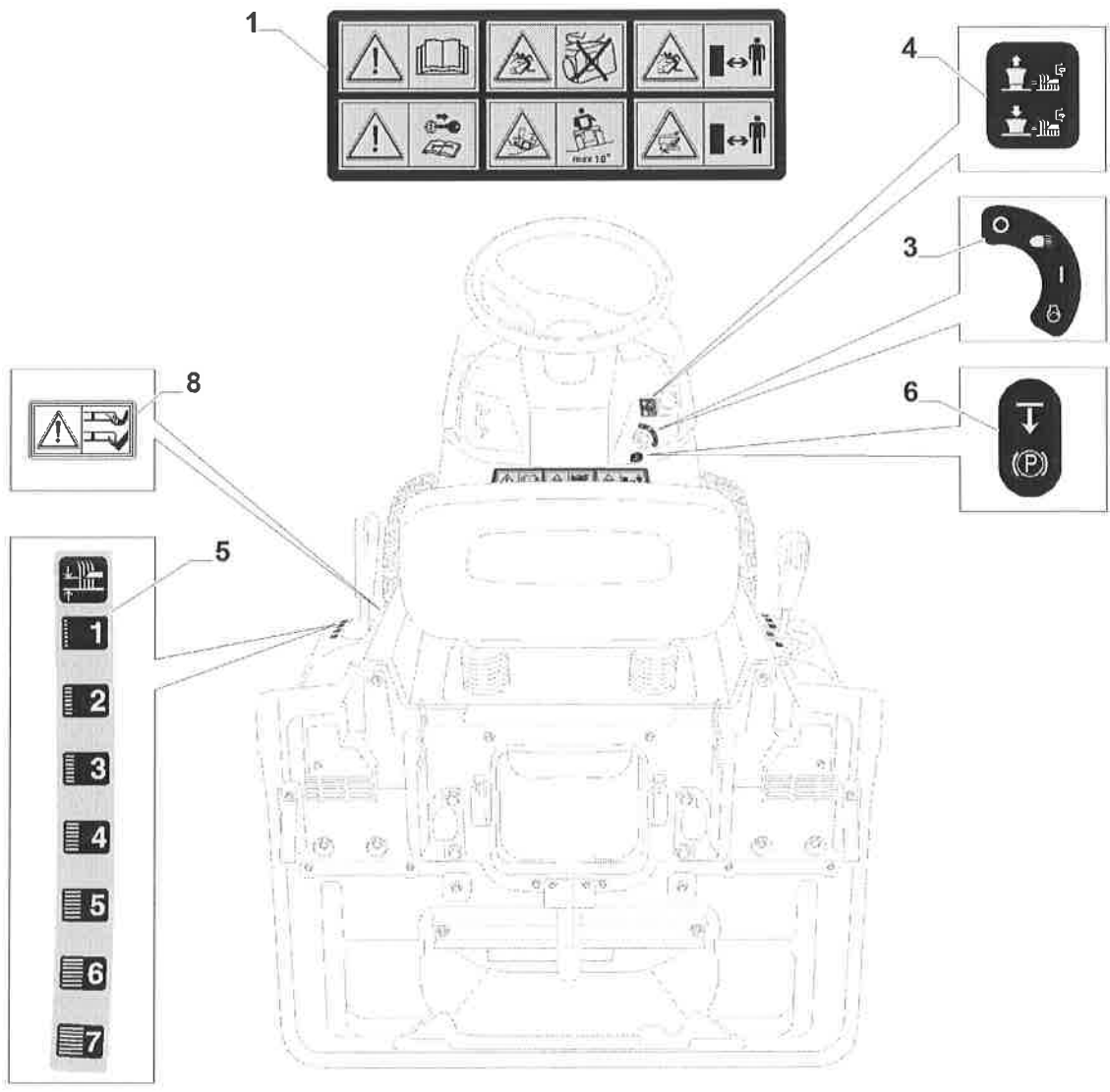
# Electrical Parts



↕	↕ Kód	↕ Popis	↕ Note	Min Qty
1	182040199/0	Cables Ass.Y	Hydro Model with B&S-GGP-Kawaski Engine;To 31-august-2016	1
1	182040199/1	Cables Ass.Y	Hydro Model with B&S-GGP-Kawaski Engine;From 01-september-2016	1
2	382722444/0	Electronic Card	To 31-august-2015	1
2	382722444/1	Electronic Card	From 01-september-2015	1
3	112735101/0	Screw		3
4	118450075/1	Starting Switch		1
5	325600090/0	Card Protection	To 31-august-2015	1
5	325600090/1	Card Protection	From 01-september-2015	1
6	118210023/0	Starting Key		1
7	118120002/1	Battery		1
8	125430265/1	Spring		1
9	118400863/0	Screwed Ring		1
15	133215000/0	Cover		2
16	133340036/0	Fuse 25 A		1
16	133340040/0	Fuse 10 A		1
17	133500007/0	Fuse Carrier		2
18	118450074/0	Clutch Switch		1
19	119410613/0	Microswitch		3
20	182040186/0	Cable		1
21	118459100/0	Lamp For Lights		2
22	119410605/1	Microswitch		1
25	182180090/0	Battery Charger 12V 1A - CE Plugg	CE Plugg	1
26	325605003/0	Button		1
27	325256250/0	Screwed Ring		2
28	182040174/0	Led Wiring Assy		1



Labels

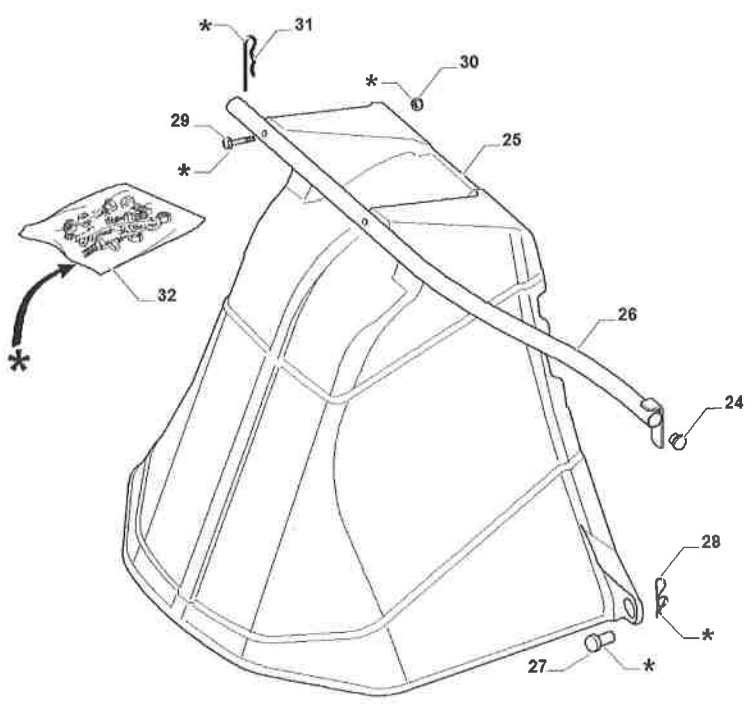
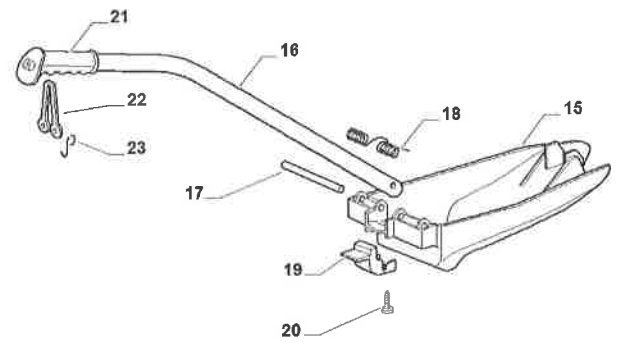
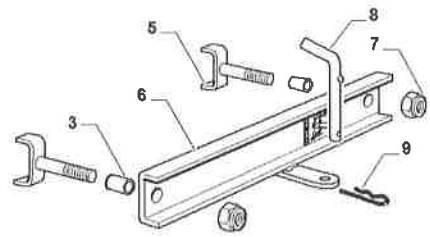
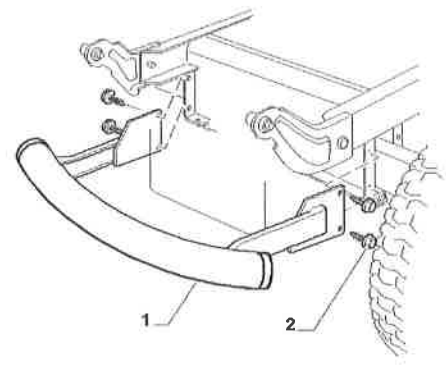


 ↑↓	Kód	↑↓	Popis	↑↓	Note	Min Qty
1	114361553/1		Label			1
3	114363699/0		Label			1
4	114361438/0		Label			1
5	114363701/0		Label		To 31-august-2014	1
5	114366142/0		Label		From 01-september-2014	1
6	114363700/0		Label			1
8	114356699/1		Label			1



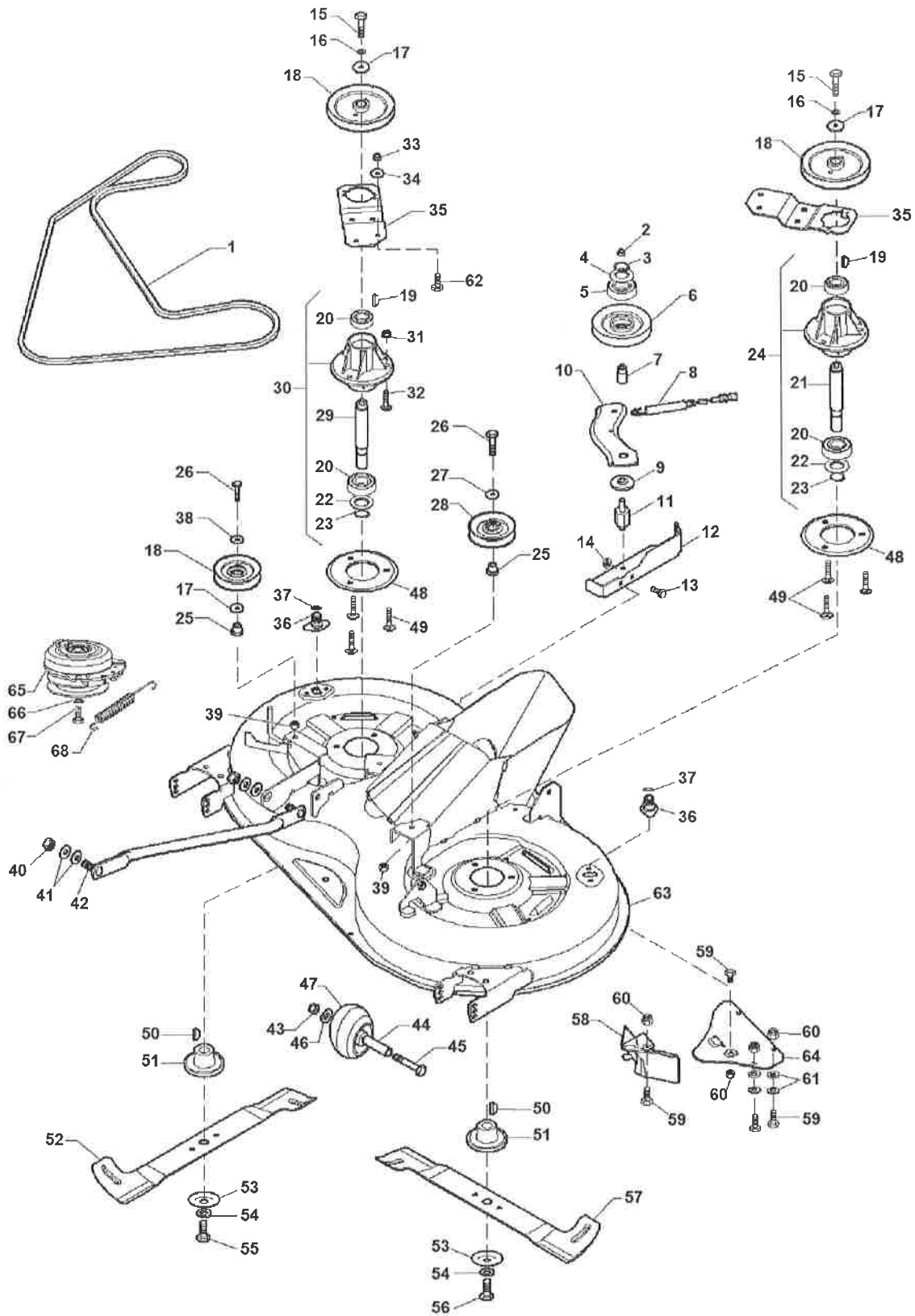


Optionals On Request



	↕	↕	↕	↕
	Kód	Popis	Note	Min Qty
1	382869038/0	Muffler Protection		1
2	125943008/0	Screw		4
3	125160074/0	Spacer		2
5	382650211/0	Stiffening		2
6	382033119/0	Tow Bar Assy		1
7	112155000/0	Nut		2
8	125510021/1	Hitch Pin		1
9	124487999/0	Spring Pin		1
10	122170600/0	Spacer		1
11	112792099/0	Screw		1
12	112292102/0	Nut		3
13	327546015/2	Plate		2
14	112791400/0	Screw		1
15	325140104/0	Deflector	To 31-august-2013	1
15	325140104/1	Deflector	From 01-september-2013	1
15	325140112/0	Deflector		1
16	325394021/0	Handle		1
17	125510077/0	Pin		1
18	125430245/0	Spring		1
19	325547320/0	Plate		1
19	325547414/0	Plate		1
20	112735403/0	Screw		1
21	325280000/1	Handgrip		1
22	125840011/1	Tie Rod		1
23	125253004/0	Mulch.Kit Fixing Hook		2
24	118566112/0	Polyethylene Push Road Ivars D=20inch		2
25	325600093/0	Ejection Guard		1
26	382869044/0	Support		1
27	125510022/1	Pin		2
28	124487998/0	Cotter Pin		2
29	112689515/0	Screw		2
30	112154510/0	Nut		2
31	124487999/0	Spring Pin		1
32	382180028/0	Outfit, Screws		1

Cutting Plate



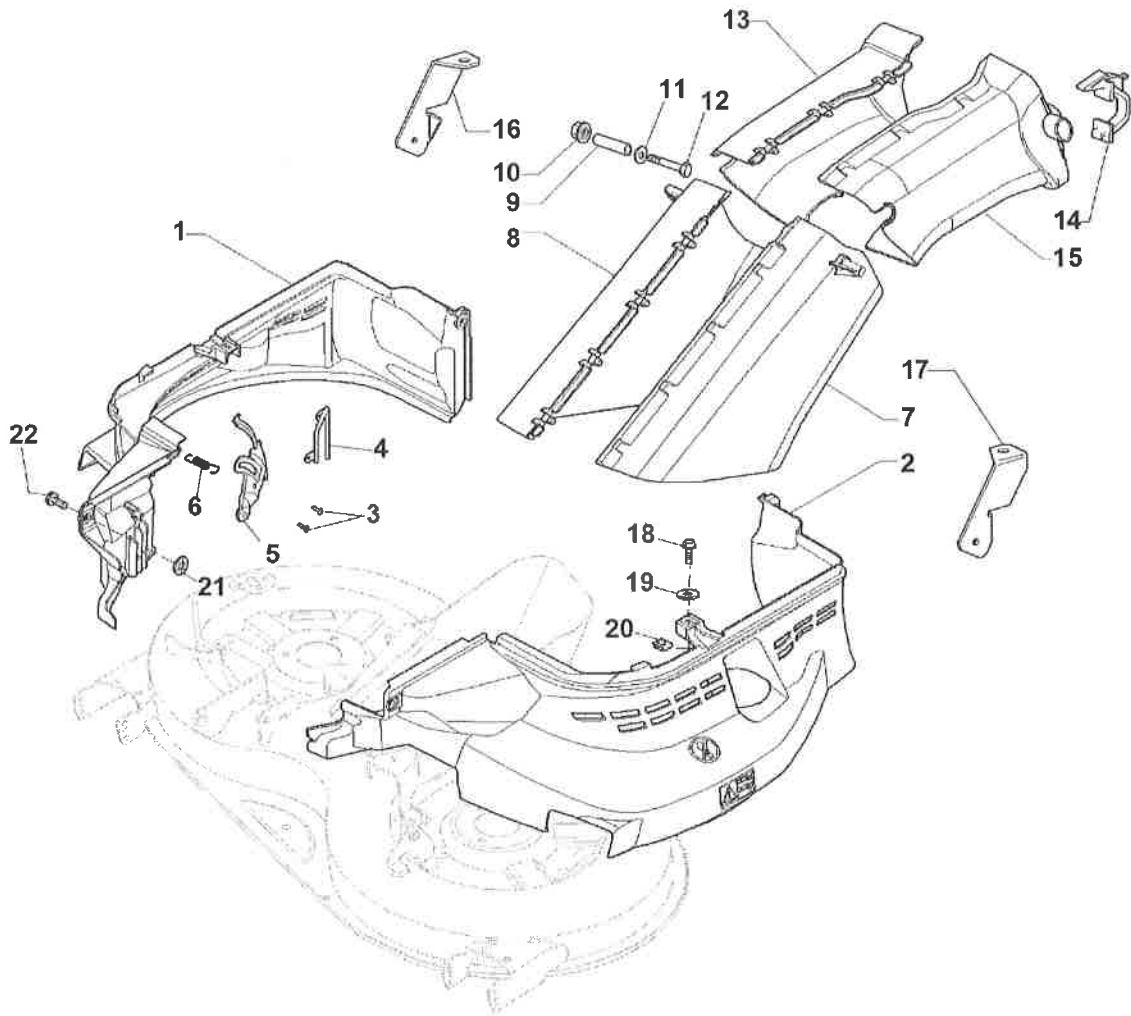
↑↓ Kód	↑↓ Popis	↑↓ Note	Min Qty
1	135061509/0	V-Belt	1
2	112293201/0	Nut	1
3	112524010/0	Washer	1
4	112610800/0	Seeger	1
5	119216048/0	Bearing	1
6	125601595/0	Pulley	1

7	125160052/0	Spacer		1
8	382004618/0	Wire		1
9	125040635/0	Bushing		1
10	325318343/0	Lever		1
11	125160049/0	Spacer		1
12	325785391/0	Bracket		1
13	112818690/0	Screw		2
14	112154210/0	Nut		2
15	112793102/0	Screw		2
16	112540260/0	Washer		2
17	125670007/0	Washer		2
18	125601604/0	Pulley		2
19	112139480/0	Feather		2
20	119216040/0	Bearing		4
21	125020804/0	Shaft		1
22	325160501/0	Dust Cover Disc		2
23	112609260/0	Seeger		2
24	382207204/1	Flange Assy		1
25	125160082/0	Spacer		2
26	112691115/0	Screw		2
27	112524010/0	Washer		2
28	325601599/0	Pulley		2
29	125020805/0	Shaft		1
30	382207205/1	Flange Assy		1
31	112154210/0	Nut		6
32	112818690/0	Screw		6
33	112154210/0	Nut		1
34	112523060/0	Washer		1
35	325774617/0	Stiffening		1
36	325033086/0	Water Hose Connection		2
37	119035000/0	Or Ring		2
38	112523060/0	Washer		1
39	112293201/0	Nut		3
40	112156602/0	Nut		4
41	325670008/1	Washer		8
42	382000565/0	Equalizer Rod	To 31-august-2016	2
42	382000565/1	Equalizer Rod	From 01-september-2016	2
43	112293201/0	Nut		2
44	125160072/0	Spacer		2
45	112692100/0	Screw		2
46	112521350/0	Washer		2
47	182700005/0	Anti Scalp Wheel Ø 90		2
48	325160505/0	Disc		2
49	112139480/0	Feather		6
50	112139100/0	Key		2
51	125463200/0	Blade Hub		2
52	182004362/0	Right Blade, Winged	Winged	1
52	182004364/0	Right Mulching Blade	Mulching	1
53	122160400/0	Elastic Disc		2
54	112523080/0	Washer		2
55	112735695/1	Screw		1
56	112735694/0	Screw		1
57	182004346/0	Mulching Blade	Mulching	1
57	182004363/0	Left Blade, Winged	Winged	1
58	325140111/0	Deflector		1
59	112791213/1	Screw		3
60	112154510/0	Nut		6
61	112523040/0	Washer		4
62	112793102/0	Screw		1
63	382564118/0	Cutting Plate Black		1
64	325785509/0	Rear Deflector Suppot		1
65	118399069/0	Electromagnetic Clutch		1

66	112543000/0	Washer	1
67	112737320/0	Screw	1
68	125430277/0	Spring	1

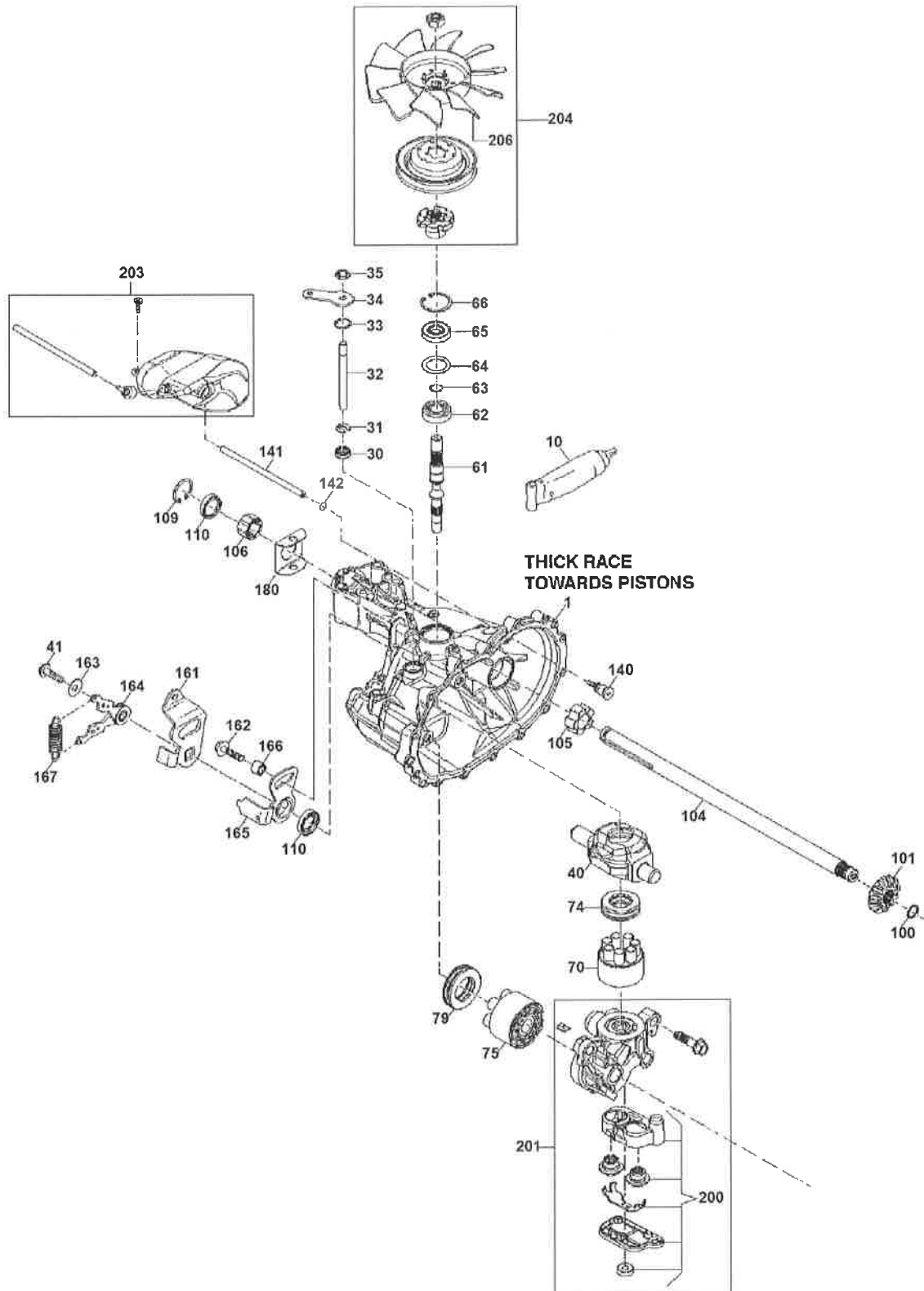


Belt Protections



	↕	Kód	↕	Popis	↕	Min Qty
	1	325060174/0		Conveyor		1
	2	325060175/0		Conveyor		1
	3	112735110/0		Screw		2
	4	382270309/0		Bracket		1
	5	325547346/0		Bracket		1
	6	125430213/0		Spring		1
	7	325108065/0		Conveyor		1
	8	325108064/0		Conveyor		1
	9	125160071/0		Spacer		2
	10	112154510/0		Nut		2
	11	112521340/0		Washer		2
	12	112792425/0		Screw		2
	13	325108057/0		Conveyor		1
	14	325774499/0		Clamp		2
	15	325108056/0		Conveyor		1
	16	325774527/0		Clamp		1
	17	325774529/0		Clamp		1
	18	112789008/0		Screw		2
	19	112523020/0		Washer		2
	20	112437503/0		Plate		2
	21	112604899/0		Crown Fastener		4
	22	125943011/0		Screw		4

Transmission Unit, Hydro-Gear T2-ADB-2X3C-1RX1

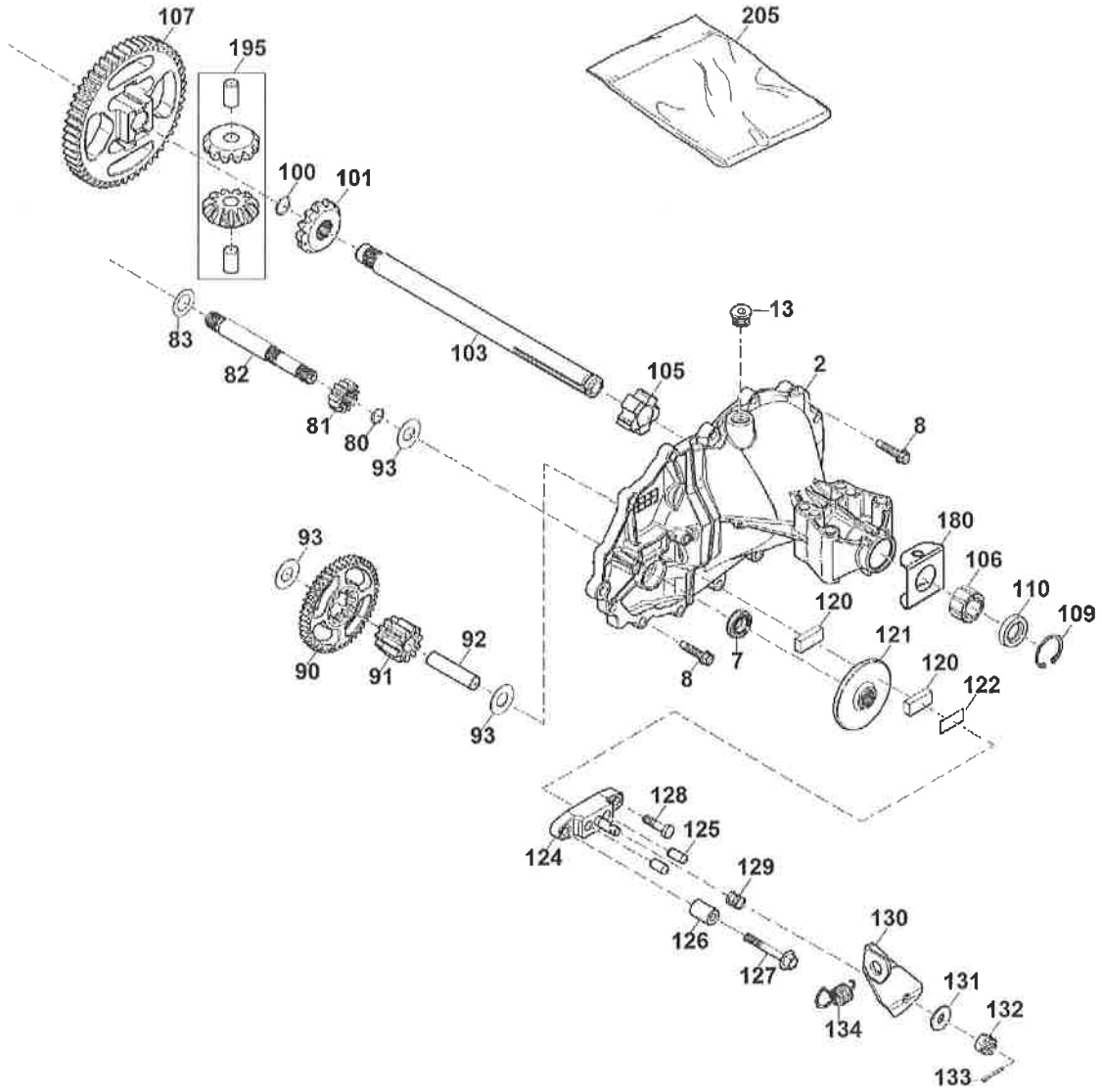




	↕	↕	Kód	↕	Popis	↕	Min Qty
	1		118870120/0		Main Housing		1
	10		1139-2022-01		Sealant		1
	30		118870079/0		Seal		1
	31		118870081/0		Retaining ring		1
	32		1139-2203-01		Rod		1
	33		118870080/0		Retaining ring		1
	34		118870091/0		Arm		1
	35		118870082/0		Retaining ring		1
	40		118870090/0		Swashplate		1
	41		118870083/0		Screw		1
	61		118870092/0		Shaft		1
	62		1139-2001-01		Ball Bearing		1
	63		1139-2003-01		Wire Retaining Ring		1
	64		1139-2004-01		Spacer		1
	65		1139-2000-01		Lip Seal		1
	66		1139-2002-01		Retaining Ring		1
	70		118870125/0		Pump Block Assy		1
	74		118870093/0		Bearing		1
	75		1139-2063-01		Cylinder Block		1
	79		1139-2021-01		Thrust Bearing		1
	100		118870072/0		Retaining ring		2
	101		118870063/0		Gear		2
	104		118870113/0		Shaft		1
	105		118870086/0		Bushing		2
	106		118870085/0		Bushing		2
	109		118870084/0		Retaining ring		2
	110		1139-2204-01		Shaft		3
	140		1139-2038-01		Fitting		1
	141		118870102/0		Tube		1
	142		1139-2075-01		O-Ring		1
	161		118870103/0		Arm		1
	162		1139-2026-01		Bolt		1
	163		1139-2011-01		Flat washer		1
	164		118870107/0		Arm Assy		1
	165		118870108/0		Arm		1
	166		118870104/0		Bushing		1
	167		118870089/0		Spring		1
	180		118870112/0		Plate		2
	200		118870123/0		Kit-Filter		1
	201		118870127/0		Center Section Kit		1
	203		118870122/0		Kit-Expansion Tank		1
	204		1139-2201-01		Kit, Fan Pulley		1
	206		118870129/0		Fan		1



Transmission Unit, Hydro-Gear T2-ADBF-2X3C-1RX1



	↕	Kód	↕	Popis	↕	Min Qty
2		118870121/0		Side Housing		1
7		118870111/0		Seal		1
8		1139-2042-01		Screw		14
13		1139-2010-01		Plug		1
80		118870070/0		Retaining ring		1
81		118870094/0		Gear		1
82		118870095/0		Shaft		1
83		118870096/0		Washer		1
90		118870097/0		Gear		1
91		118870098/0		Gear		1
92		118870099/0		Pin		1
93		1139-2016-01		Washer		3
103		118870114/0		Shaft		1
107		118870100/0		Gear		1
120		118870066/0		Brake Pad		2
121		118870101/0		Brake		1
122		118870067/0		Brake Pad Support		1
124		118870119/0		Brake Caliper		1
125		118870069/0		Pin		2
126		118870062/0		Spacer		1
127		118870077/0		Screw		1
128		118870071/0		Bolt		1
129		118870076/0		Spring		1
130		118870088/0		Brake Lever		1
131		1139-2011-01		Flat washer		1
132		118870068/0		Nut		1
133		118870065/0		Pin		1
134		118870078/0		Spring		1
195		118870126/0		Kit-Gears and Pins		1
205		118870124/0		Kit-Seal		1