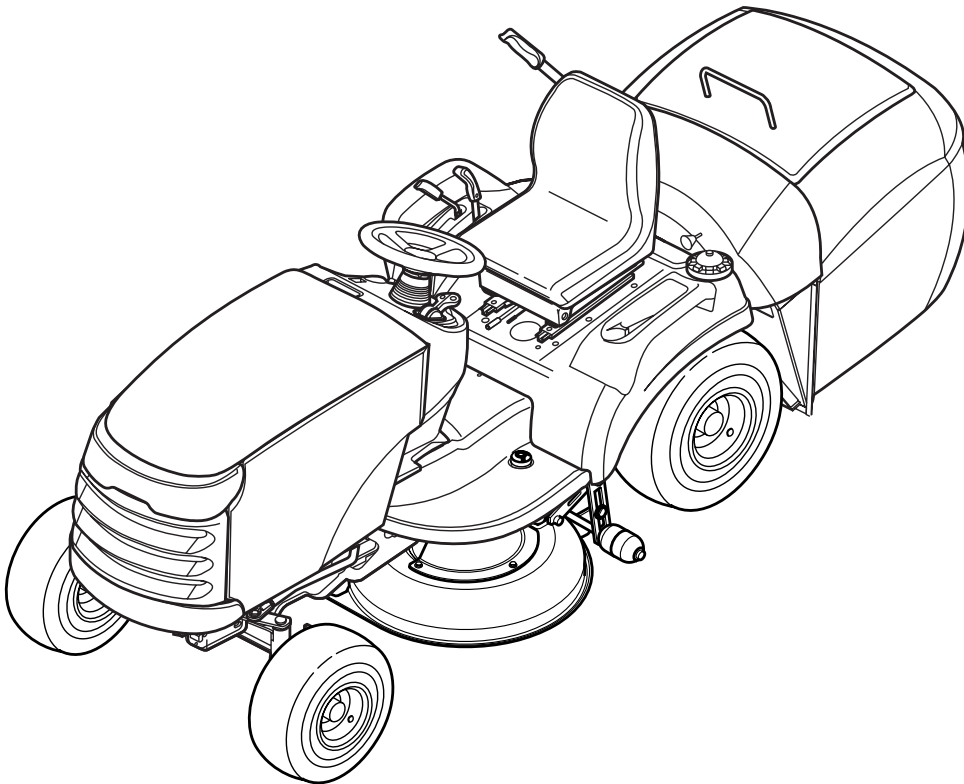


*Parts Manual for*

# **SNAPPER®**

## **YARD TRACTOR ELECTRIC CLUTCH HYDRO DRIVE RMO & ACS "RD" LT300 SERIES**

| <b>MODEL</b>              |
|---------------------------|
| <i>RD18S40 (2690624)</i>  |
| <i>RD18VG40 (2690623)</i> |
| <i>RD2140 (2690763)</i>   |



**Briggs & Stratton Yard Power Products Group**

535 Macon Road  
McDonough, GA, 30253 U.S.A.  
800-935-2967

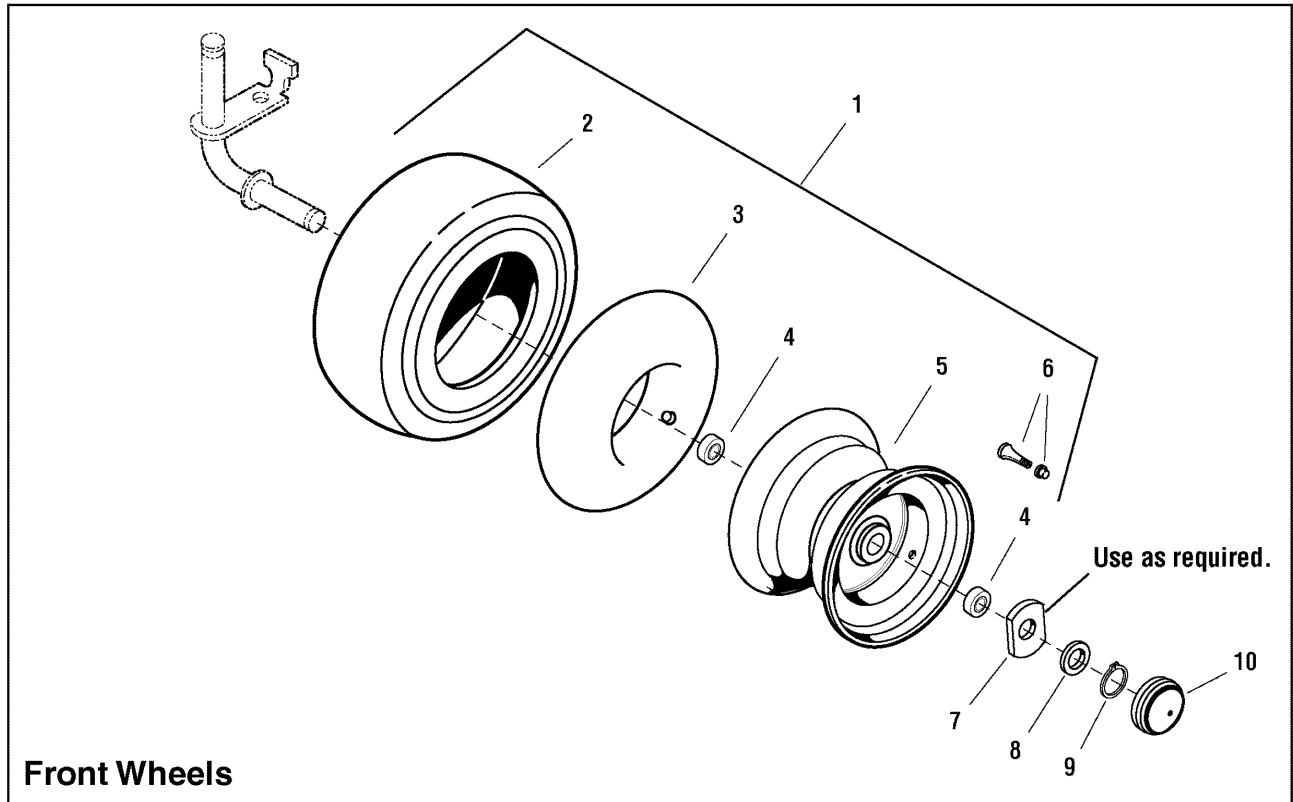
Revision A, 9/5/2008

Manual No. 7006469

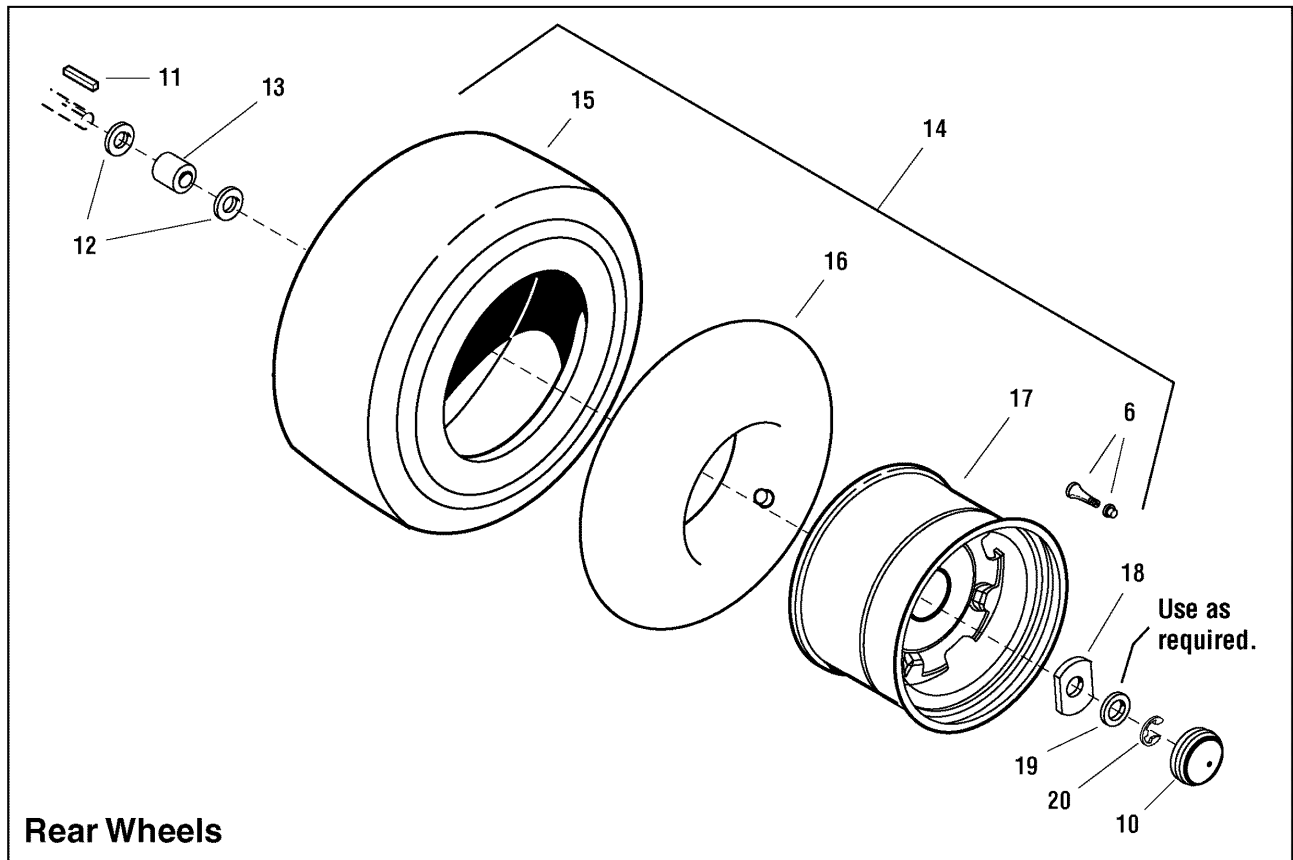
TP 400-5273-A-TC-N



| <b>PAGE</b> | <b>GROUP</b>  |
|-------------|---|
| 4           | Wheels & Tires Group  |
| 6           | Hood, Grille & Dash Group   |
| 8           | Steering Group - Manual Steering                                  |
| 10          | Steering Group  |
| 12          | Frame & Front Axle Group  |
| 16          | Controls Group  |
| 20          | Cruise Control Group  |
| 22          | Transmission Group - Tuff Torq K-46BF                             |
| 26          | Seat Deck & Fuel Tank Group                                       |
| 28          | Engine Group - 18 HP INTEK Single Cyl.                            |
| 30          | Engine Group - 18 HP & 20 HP VANGUARD Twin Cyl.                   |
| 32          | Engine & Electric Clutch Group - 21HP Briggs & Stratton, Vanguard |
| 34          | 40" Mower Deck - Belt, Idle Arm & Hitch                           |
| 36          | 40" Mower Deck - Housing, Arbors & Blade                          |
| 38          | 40" Mower Deck - Height Adjustment & Roller Bar                   |
| 42          | Hopper Group  |
| 46          | Deflector Group   |
| 48          | Decals Group  |
| 50          | Electrical Group  |



**Front Wheels**



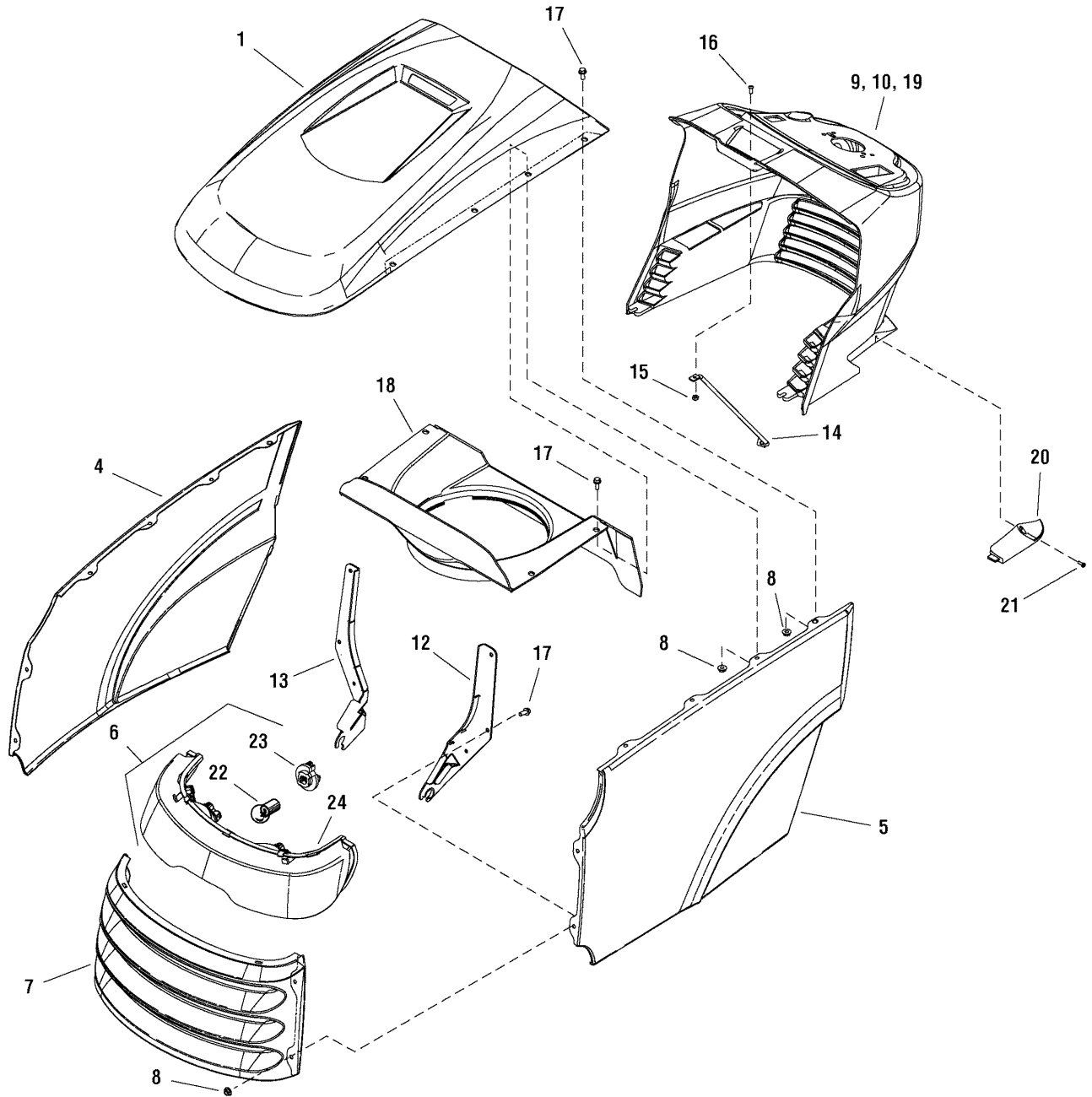
**Rear Wheels**

## Wheels & Tires Group

| Item | Part No  | Qty | Description                        | Note                                   |
|------|----------|-----|------------------------------------|--|
| 1    | 1732202  | 2   | WHEEL & TIRE ASSEMBLY, Front       | <i>(Includes Ref. Nos. 2, 3, 4, 5)</i> |
| 2    | 1733882  | 1   | TIRE, 15 x 6, Super Turf           |  |
| 3    | 1664090  | 1   | TUBE, Tire, Front, 4.10/3.50       |  |
| 4    | 1717056  | 2   | BEARING, Ball                      |  |
| 5    | 1722837  | 1   | WHEEL, 4-1/2" x 6"                 |  |
| 6    | 2172353  | 4   | VALVE STEM & CAP ASSEMBLY          |  |
| 7    | 1722726A | 4   | WASHER, Special, (As Required)     |  |
| 8    | 1919394  | 4   | WASHER, 1, (As Required)           |  |
| 9    | 2832577  | 2   | RING, Retaining, External #98      |  |
| 10   | 1722676  | 4   | CAP, Hub, Gray                     |  |
| 11   | 1729279  | 2   | KEY, Parellel, 3/16 x 3/16 x 1-1/2 |  |
| 12   | 2960202  | 4   | WASHER, 3/4                        |  |
| 13   | 1709527  | 2   | SPACER                             |  |
| 14   | 1732203  | 2   | WHEEL & TIRE ASSEMBLY              |  |
| 15   | 1733881  | 1   | TIRE, 20 x 10, 8 Super Turf        |  |
| 16   | 2173477  | 1   | TUBE, Tire, 20 x 8, Rear           |  |
| 17   | 1722835  | 1   | WHEEL, 7 x 7.96, W/ 3/4 OD Shaft   |  |
| 18   | 1722717A | 2   | WASHER, Special                    |  |
| 19   | 1960114  | 2   | WASHER, 3/4                        |  |
| 20   | 2827794  | 2   | RING, "E" External                 |  |

**Footnotes:**

# Hood, Grille & Dash Group

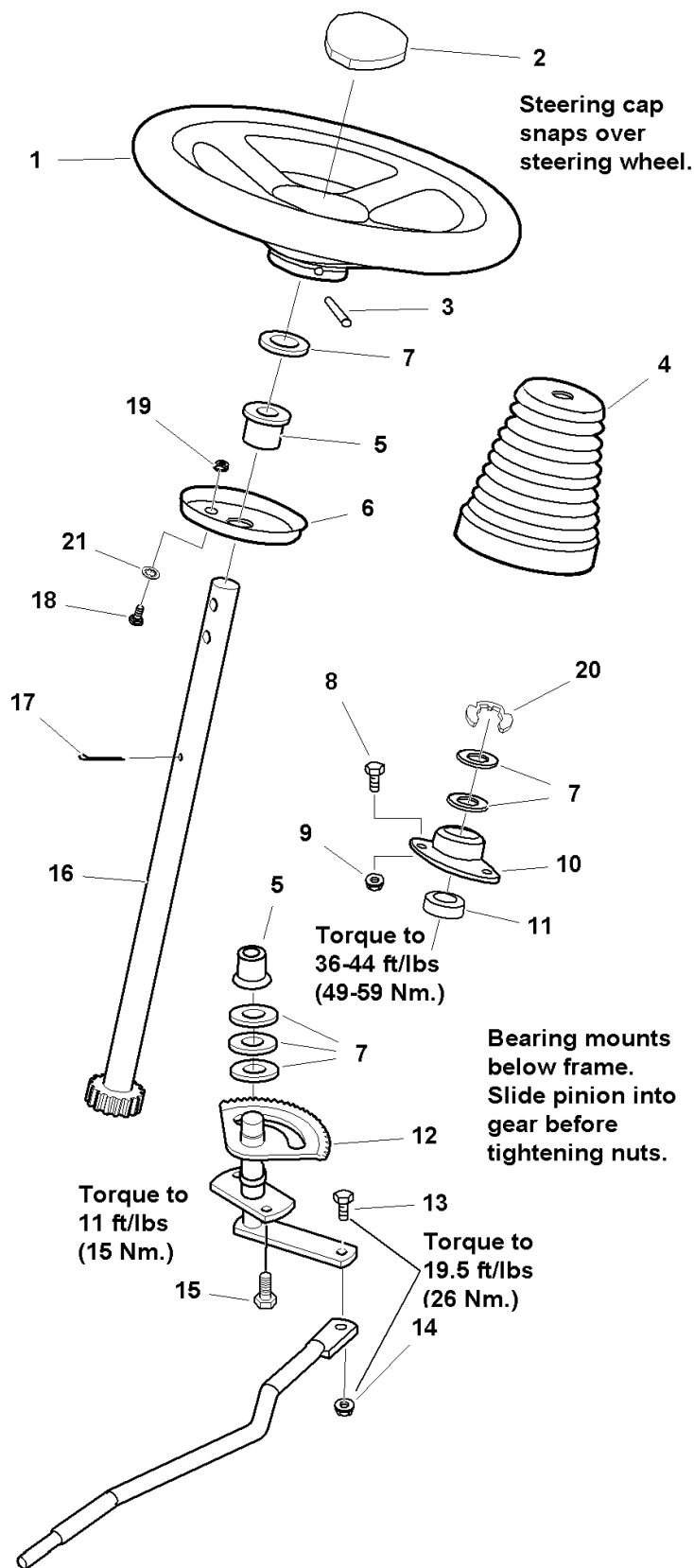


## Hood, Grille & Dash Group

| Item | Part No  | Qty | Description                               | Note  |
|------|----------|-----|---|---|
| 1    | 1728031D | 1   | HOOD, W/Scoop                             |   |
| 4    | 1721804D | 1   | PANEL, R.H. Side                          |   |
| 5    | 1721803D | 1   | PANEL, L.H. Side                          |   |
| 6    | 1721810  | 1   | HEADLIGHT ASSEMBLY                        | <i>(Includes Ref. Nos. 22, 23 &amp; 24)</i> |
| 7    | 1721802D | 1   | GRILLE                                    |   |
| 8    | 1930641  | 12  | NUT, Hex Flange 1/4-20 Whiz Lock          |   |
| 9    | 1726827  | 1   | DASHBOARD                                 | <i>(Used only on YT &amp; LT models)</i>    |
| 10   | 1726894  | 1   | DASHBOARD, W/Hydraulic Lift Slot          | <i>(Used only on GT models)</i>             |
| 12   | 1721808A | 1   | HINGE, Hood L.H.                          |   |
| 13   | 1721809A | 1   | HINGE, Hood R.H.                          |   |
| 14   | 1723123  | 1   | ROD, Dash Support                         |   |
| 15   | 1933896  | 1   | NUT, Hex Lock 10-24 w/Nylon Insert        |   |
| 16   | 1960392  | 1   | SCREW, Pan Head Phillips #10-24 x 1       |   |
| 17   | 1960295  | 12  | SCREW, Hex Whiz Lock Flange 1/4-20 x 5/8  |   |
| 18   | 1733457A | 1   | DUCT, Air Inlet                           |   |
| 19   | 1726895  | 1   | DASHBOARD, w/Buzzer Hole                  | <i>(Used only on Barons models)</i>         |
| 20   | 1722285  | 1   | COVER, Dash                               | <i>(Used only on Barons models)</i>         |
| 21   | 1722607  | 1   | SCREW, Pan Head Torx #8-16 x 1/2 Plastite | <i>(Used only on Barons models)</i>         |
| 22   | 1677371  | 4   | BULB, Headlight                           |   |
| 23   | 1723451  | 4   | SOCKET ASSEMBLY, Seal                     |   |
| 24   | 1722902  | 1   | REFLECTOR, Headlight                      |   |

### Footnotes:

# Steering Group - Manual Steering



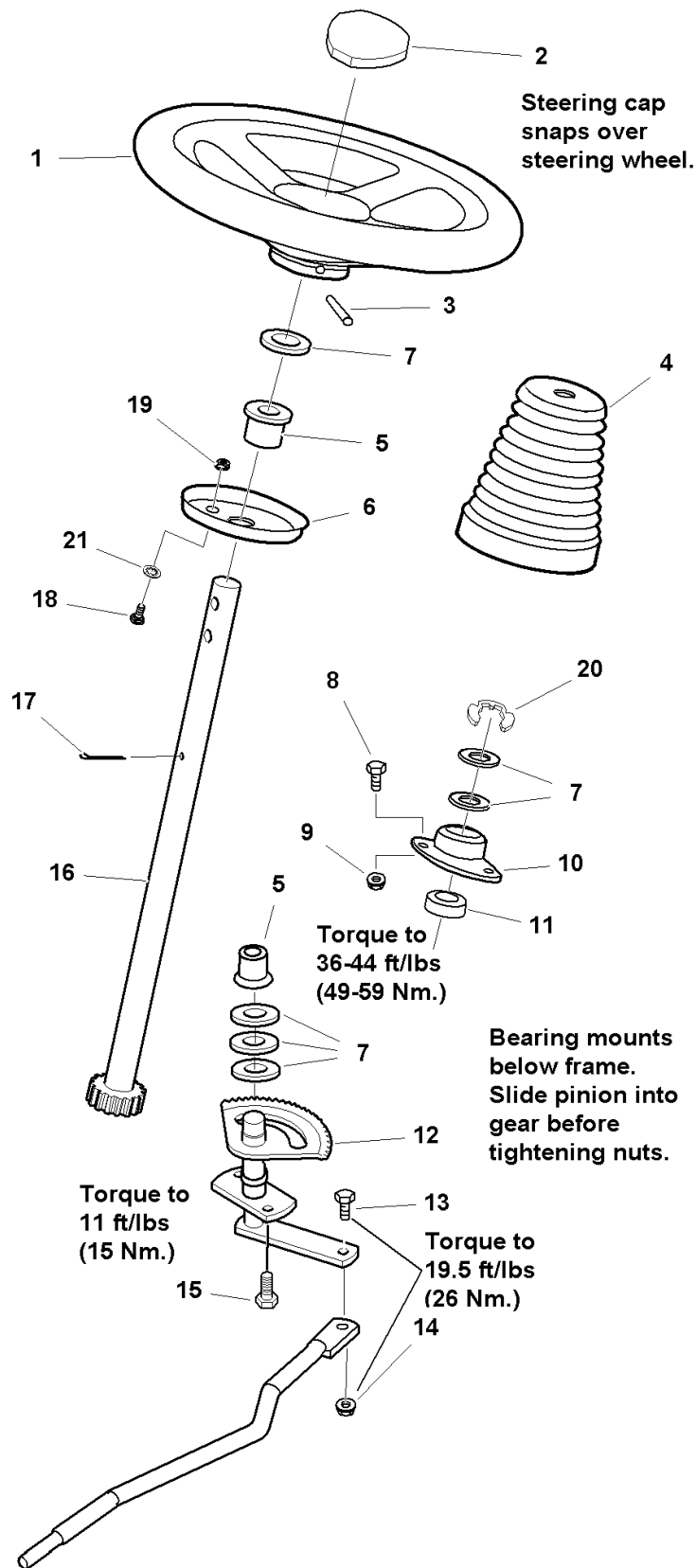


## Steering Group - Manual Steering

---

| Item | Part No  | Qty | Description                      | Note |
|------|----------|-----|----------------------------------|------|
| 1    | 1722318  | 1   | STEERING WHEEL                   |      |
| 2    | 1725024  | 1   | CAP, Steering                    |      |
| 3    | 1960540  | 1   | ROLL PIN, 5/16 x 2.50            |      |
| 4    | 1722749  | 1   | BELLOWS                          |      |
| 5    | 2176440  | 2   | BUSHING, Nylon                   |      |
| 6    | 1721736A | 1   | MOUNTING PLATE, Steering         |      |
| 7    | 1960114  | 5   | WASHER, 3/4                      |      |
| 8    | 2933260  | 2   | SCREW, Flange Lock, 3/8-16 x 3/4 |      |
| 9    | 1931211  | 2   | NUT, Whiz, 3/8-16                |      |
| 10   | 1722459  | 1   | BEARING, Flange                  |      |
| 11   | 1722461  | 1   | SPACER                           |      |
| 12   | 1724470A | 1   | STEERING GEAR ASSEM              |      |
| 13   | 1960032  | 1   | SCREW, 3/8-16 x 1 3/4            |      |
| 14   | 1930645  | 1   | NUT, Flange Lock, 3/8-16         |      |
| 15   | 1664847  | 2   | SCREW, Taptite, 5/16-18 x 3/4    |      |
| 16   | 1726304  | 1   | STEER SHAFT                      |      |
| 17   | 1960033  | 1   | HAIRPIN CLIP                     |      |
| 18   | 1960655  | 2   | CARRIAGE BOLT, 5/16-18 x 1 1/4   |      |
| 19   | 1960636  | 2   | NUT, 5/16-18                     |      |
| 20   | 1611710  | 1   | RING, Klipring                   |      |
| 21   | 1933988  | 2   | PUSHNUT, 5/16                    |      |

### Footnotes:

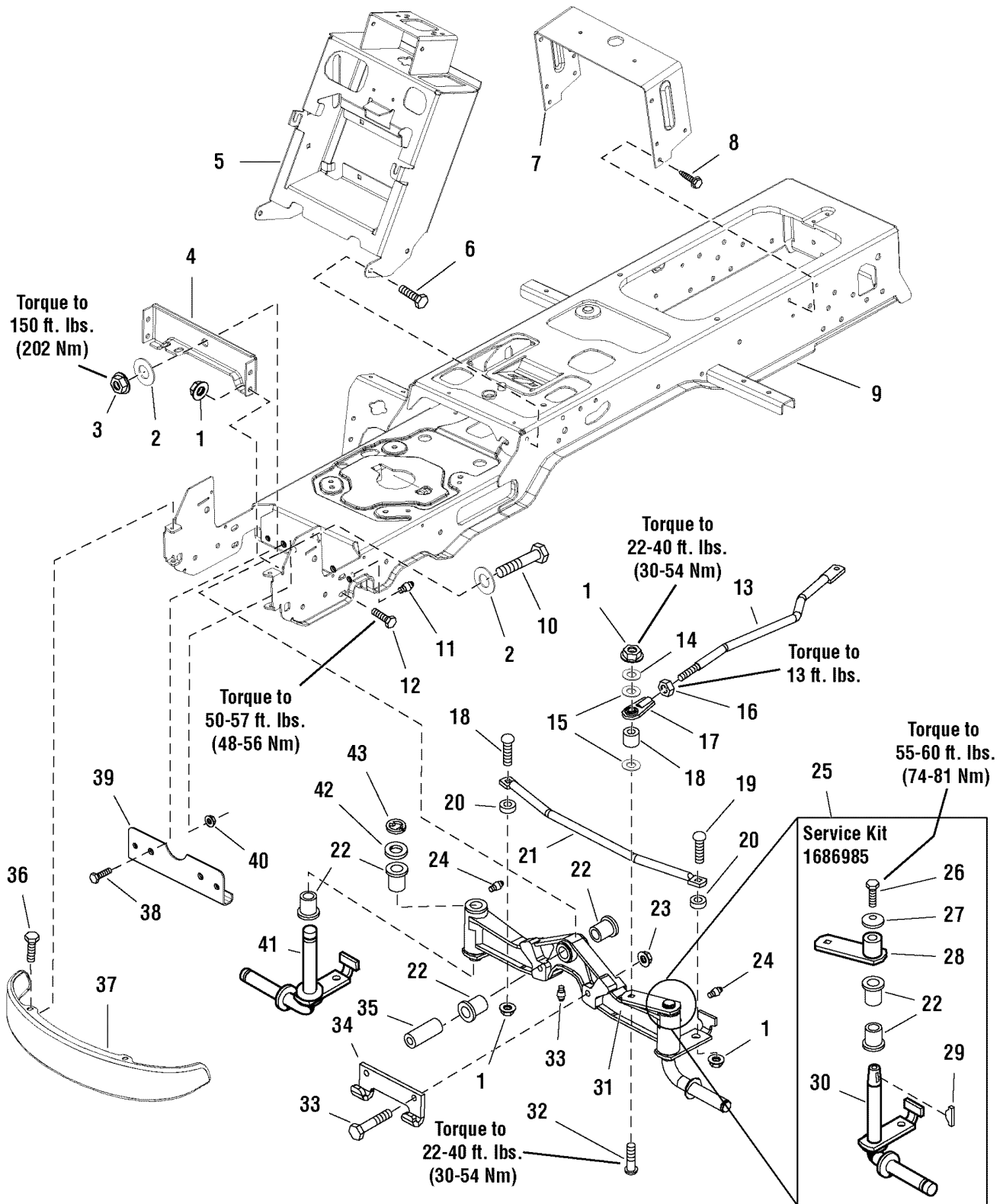


## Steering Group

| Item | Part No  | Qty | Description                                  | Note |
|------|----------|-----|--|------|
| 1    | 1722318  | 1   | STEERING WHEEL, Straight Shaft               |      |
| 2    | 1725024  | 1   | CAP, Steering Wheel, Plain                   |      |
| 3    | 1960540  | 1   | PIN, Spring                                  |      |
| 4    | 1722749  | 1   | COVER, Black Rubber                          |      |
| 5    | 2176440  | 2   | BUSHING                                      |      |
| 6    | 1721736A | 1   | PLATE, Mounting Steering                     |      |
| 7    | 1960114  | 6   | WASHER                                       |      |
| 8    | 1933260  | 2   | CAPSCREW, Hex Head Flange Lock, 3/8-16 x 3/4 |      |
| 9    | 1931211  | 2   | NUT, Hex Whiz Lock, 3/8-16                   |      |
| 10   | 1722459  | 1   | BEARING, Flange                              |      |
| 11   | 1722461  | 1   | SPACER                                       |      |
| 12   | 1724470A | 1   | GEAR & SHAFT ASSEMBLY                        |      |
| 13   | 1960032  | 1   | CAPSCREW, Hex Head, 3/8-16 x 1-1/4           |      |
| 14   | 1930645  | 1   | NUT, Hex Flange Lock, 3/8-16                 |      |
| 15   | 1664847  | 2   | CAPSCREW, Hex Head Taptite, 5/16-18 x 3/4    |      |
| 16   | 1723604  | 1   | SHAFT ASSEMBLY                               |      |
| 17   | 1960033  | 1   | PIN, Cotter                                  |      |
| 18   | 1960655  | 2   | CARRIAGE BOLT, 5/16-18 x 1 1/4               |      |
| 19   | 1960636  | 2   | NUT, Hex, 5/16-18                            |      |
| 20   | 1611710  | 1   | RING, Clipring Extension                     |      |
| 21   | 1933988  | 2   | PUSHNUT, 5/16                                |      |

### Footnotes:

# Frame & Front Axle Group

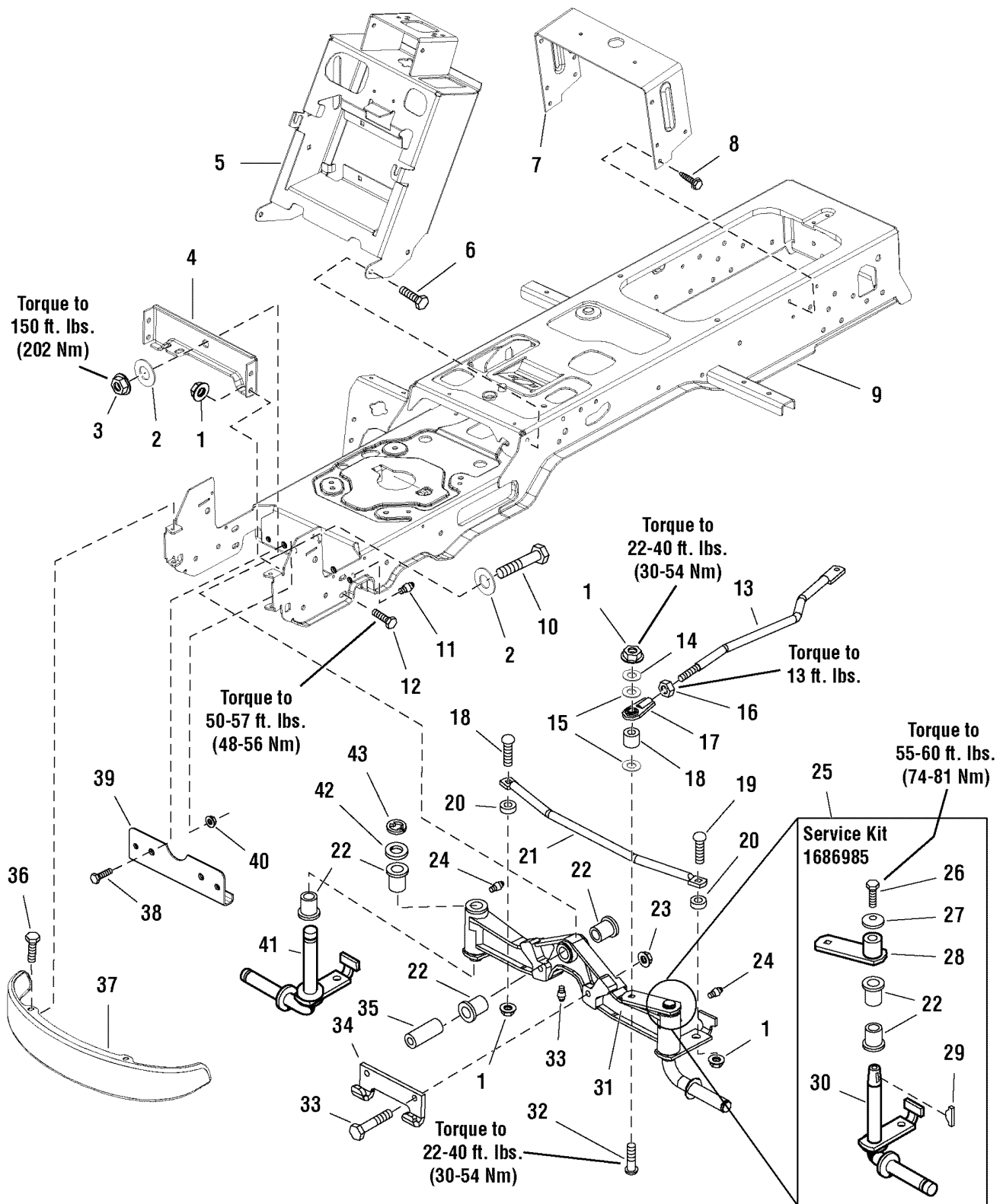


## Frame & Front Axle Group

| Item | Part No  | Qty | Description                                       | Note                            |
|------|----------|-----|---|---------------------------------|
| 1    | 1930645  | 7   | NUT, Hex Flange Lock, 3/8-16                      |                                 |
| 2    | 1960035  | 2   | WASHER  |                                 |
| 3    | 2960646  | 1   | NUT, Hex Flange, 5/8-11                           |                                 |
| 4    | 1722212A | 1   | PLATE, Axle                                       |                                 |
| 5    | 1724081A | 1   | TOWER & SUPPORT ASSEMBLY                          |                                 |
| 6    | 1923683  | 4   | CAPSCREW, Hex Head Taptite, 3/8-16 x 3/4          |                                 |
| 7    | 1723528A | 1   | SUPPORT   |                                 |
| 8    | 1664847  | 4   | CAPSCREW, Hex Head Taptite, 5/16-18 x 3/4         |                                 |
| 9    | 1727396A | 1   | FRAME ASSEMBLY                                    |                                 |
| 10   | 2960645  | 1   | CAPSCREW, 5/8-11 x 3-1/2                          |                                 |
| 11   | 1704314  | 2   | FITTING, Grease for Wear Plate, 1/4-20, with Ball |                                 |
| 12   | 1933260  | 4   | CAPSCREW, Hex Head, Flange Lock, 3/8-16 x 3/4     |                                 |
| 13   | 1722541  | 1   | LINK, Drag  |                                 |
| 14   | 1922755  | 1   | WASHER  |                                 |
| 15   | 1960103  | 2   | WASHER  |                                 |
| 16   | 1919262  | 1   | NUT, Hex Jam, 1/2-20                              |                                 |
| 17   | 1702779A | 1   | JOINT, Ball                                       |                                 |
| 18   | 1708236  | 1   | SPACER  |                                 |
| 19   | 1931350  | 2   | CARRIAGE BOLT, 3/8-16 x 1                         |                                 |
| 20   | 1611705  | 2   | SPACER  |                                 |
| 21   | 1722626A | 1   | ROD, Tie  |                                 |
| 22   | 1721682  | 6   | BUSHING   |                                 |
| 23   | 1930650  | 2   | NUT, Hex Flange Lock, 7/16-14                     |                                 |
| 24   | 1704314  | 3   | FITTING, Lube                                     |                                 |
| 25   | 1686985  | 1   | SPINDLE REPLACEMENT KIT, LH                       | (Includes Ref. Nos. 22, 26, 27) |
| 26   | 2823485  | 1   | CAPSCREW, 3/8-16 x 7/8, GR8                       |                                 |
| 27   | 1663151  | 1   | WASHER, Spring, 3/8                               |                                 |
| 28   | 1725112  | 1   | HUB & ARM ASSEMBLY                                |                                 |
| 29   | 2830671  | 1   | KEY, Woodruff                                     |                                 |
| 30   | 1724264  | 1   | SPINDLE, LH                                       |                                 |
| 31   | 1722200A | 1   | AXLE ASSEMBLY, w/ LH Spindle, Complete            | (Includes Ref. Nos. 2)          |
| 32   | 1931352  | 1   | CARRIAGE BOLT, 3/8-16 x 1-1/2                     |                                 |
| 33   | 1927531  | 2   | CAPSCREW, Hex Head, 7/16-14 x 2, GR8              |                                 |
| 34   | 1721918A | 1   | HOOK, "J"   |                                 |
| 35   | 1721752  | 1   | SPACER  |                                 |
| 36   | 1960086  | 4   | SCREW, Torx Head, 5/16-18 x 7/8                   |                                 |
| 37   | 1721805A | 1   | BUMPER, Black, Steel, Standard                    |                                 |

### Footnotes:

# Frame & Front Axle Group

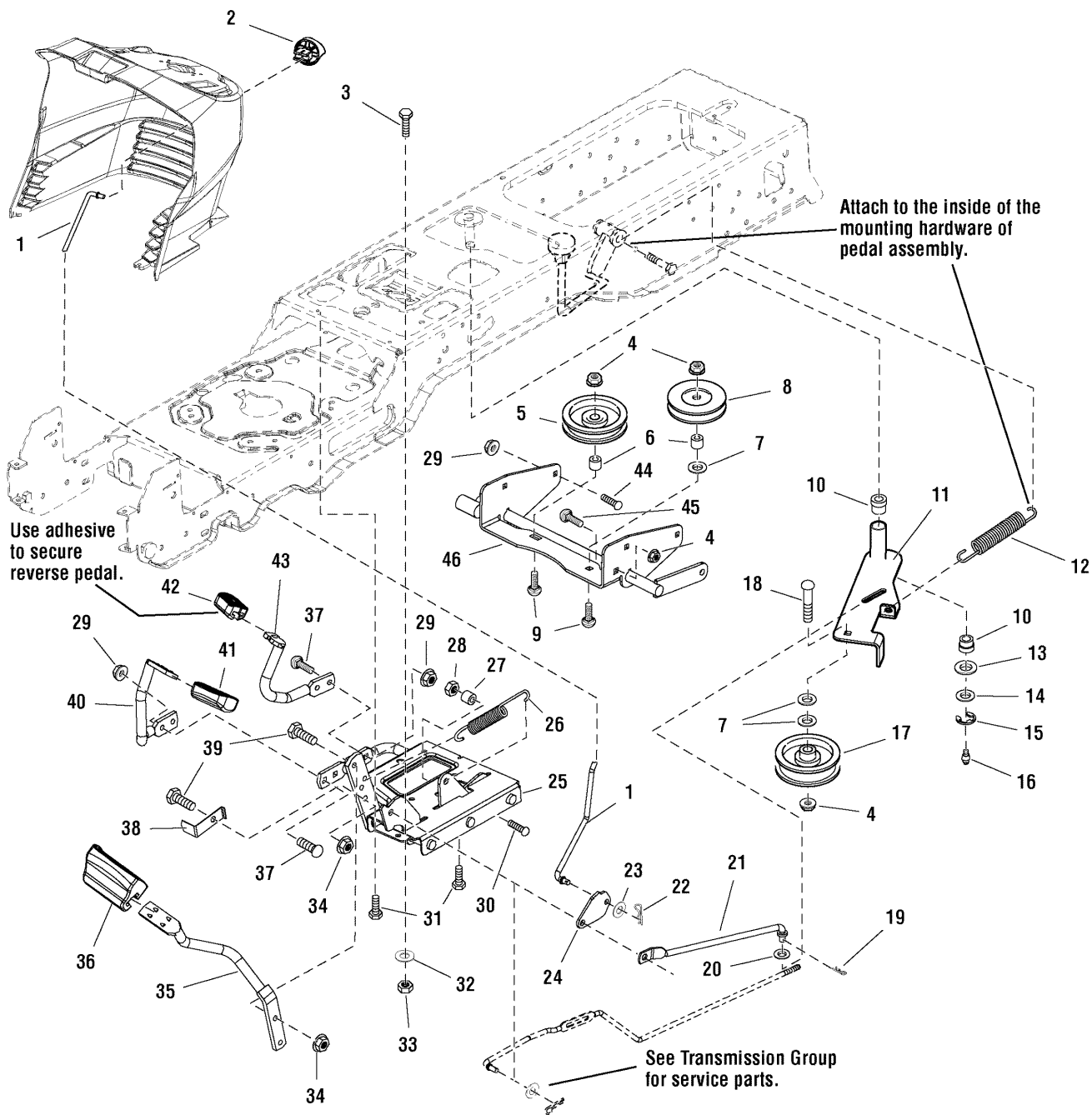


## Frame & Front Axle Group

---

| Item | Part No  | Qty | Description                            | Note |
|------|----------|-----|--|------|
| 37   | 1723502  | 1   | BUMPER, Chrome, Optional               |      |
| 38   | 1930591  | 2   | CAPSCREW, Hex Whiz Lock, 5/16-18 x 3/4 |      |
| 39   | 1724801A | 1   | PLATE, Axle Wear                       |      |
| 40   | 1931277  | 2   | NUT, Hex Falnge Whiz Lock, 5/16-18     |      |
| 41   | 1722199  | 1   | SPINDLE, RH                            |      |
| 42   | 1919394  | 1   | WASHER                                 |      |
| 43   | 2932577  | 1   | RETAINING RING                         |      |

Footnotes:

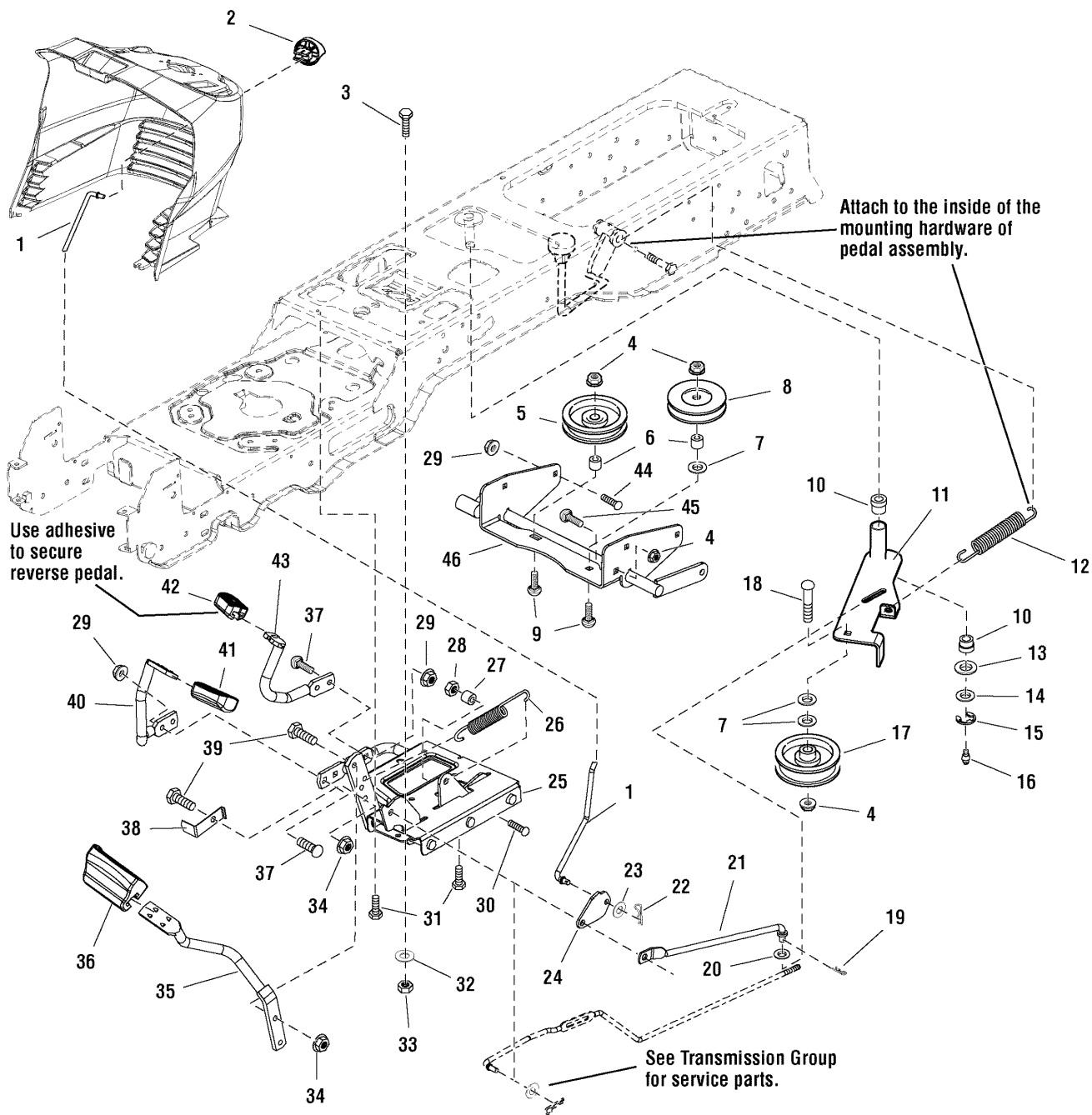




## Controls Group

| Item | Part No  | Qty | Description                                      | Note |
|------|----------|-----|--|------|
| 1    | 1721353  | 1   | ROD, Brake                                       |      |
| 2    | 1721891  | 1   | KNOB, Push On, Red                               |      |
| 3    | 1930591  | 1   | CAPSCREW, Hex Head Flange Lock, 5/16-18 x 3/4    |      |
| 4    | 1960687  | 3   | NUT, Hex Flange, 3/8-16 ESNA                     |      |
| 5    | 1721134  | 1   | PULLEY ASSEMBLY, 3 OD, W/Bearing                 |      |
| 6    | 1667811  | 2   | SPACER   |      |
| 7    | 1922755  | 3   | WASHER, 3/8                                      |      |
| 8    | 1710545  | 1   | PULLEY, Idler 4 OD                               |      |
| 9    | 1960315  | 2   | CARRIAGE BOLT, 3/8-16 x 2 G5                     |      |
| 10   | 1663114  | 2   | BUSHING  |      |
| 11   | 1727370  | 1   | ARM & HUB ASSEMBLY, Idler                        |      |
| 12   | 1733844  | 1   | SPRING, Extension                                |      |
| 13   | 1960020  | 1   | WASHER, 5/8                                      |      |
| 14   | 1924366  | 1   | WASHER, 5/8                                      |      |
| 15   | 1704420  | 1   | RING, Clipping                                   |      |
| 16   | 1704314  | 1   | FITTING, Lube, 1/4 Ball Check                    |      |
| 17   | 1710539  | 1   | PULLEY, Idler 3-1/4 OD                           |      |
| 18   | 1960315  | 1   | CARRIAGE BOLT, 3/8-16 x 2 G5                     |      |
| 19   | 1918447  | 1   | PIN, Cotter                                      |      |
| 20   | 1924940  | 1   | WASHER   |      |
| 21   | 1727408  | 1   | ROD, Brake (Flat Ends)                           |      |
| 22   | 1722460  | 1   | PIN, Quick                                       |      |
| 23   | 1919326  | 1   | WASHER   |      |
| 24   | 1721354A | 1   | LATCH, Brake                                     |      |
| 25   | 1726763  | 1   | CONTROL ASSEMBLY, Foot Pedal                     |      |
| 26   | 1721995  | 1   | SPRING, Extension                                |      |
| 27   | 1686612  | 1   | CAM, Roller                                      |      |
| 28   | 1920397  | 1   | NUT, Hex Lock ESNA, 1/4-20                       |      |
| 29   | 1960636  | 8   | NUT, Hex KEPS, 5/16-18                           |      |
| 30   | 1931320  | 1   | CARRIAGE BOLT, 1/4-20 x 1-1/4                    |      |
| 31   | 1664847  | 3   | CAPSCREW, Hex head Washer Taptite, 5/16-18 x 3/4 |      |
| 32   | 1919381  | 1   | WASHER   |      |
| 33   | 1919438  | 1   | NUT, Hex Lock ESNA, 5/16-18                      |      |
| 34   | 1927557  | 3   | NUT, Hex Flange Lock, 5/16-18                    |      |
| 35   | 1722535A | 1   | PEDAL, Brake                                     |      |
| 36   | 1721577  | 1   | PAD, Brake Pedal                                 |      |
| 37   | 1931334  | 4   | CARRIAGE BOLT, 5/16-18 x 7/8                     |      |

### Footnotes:

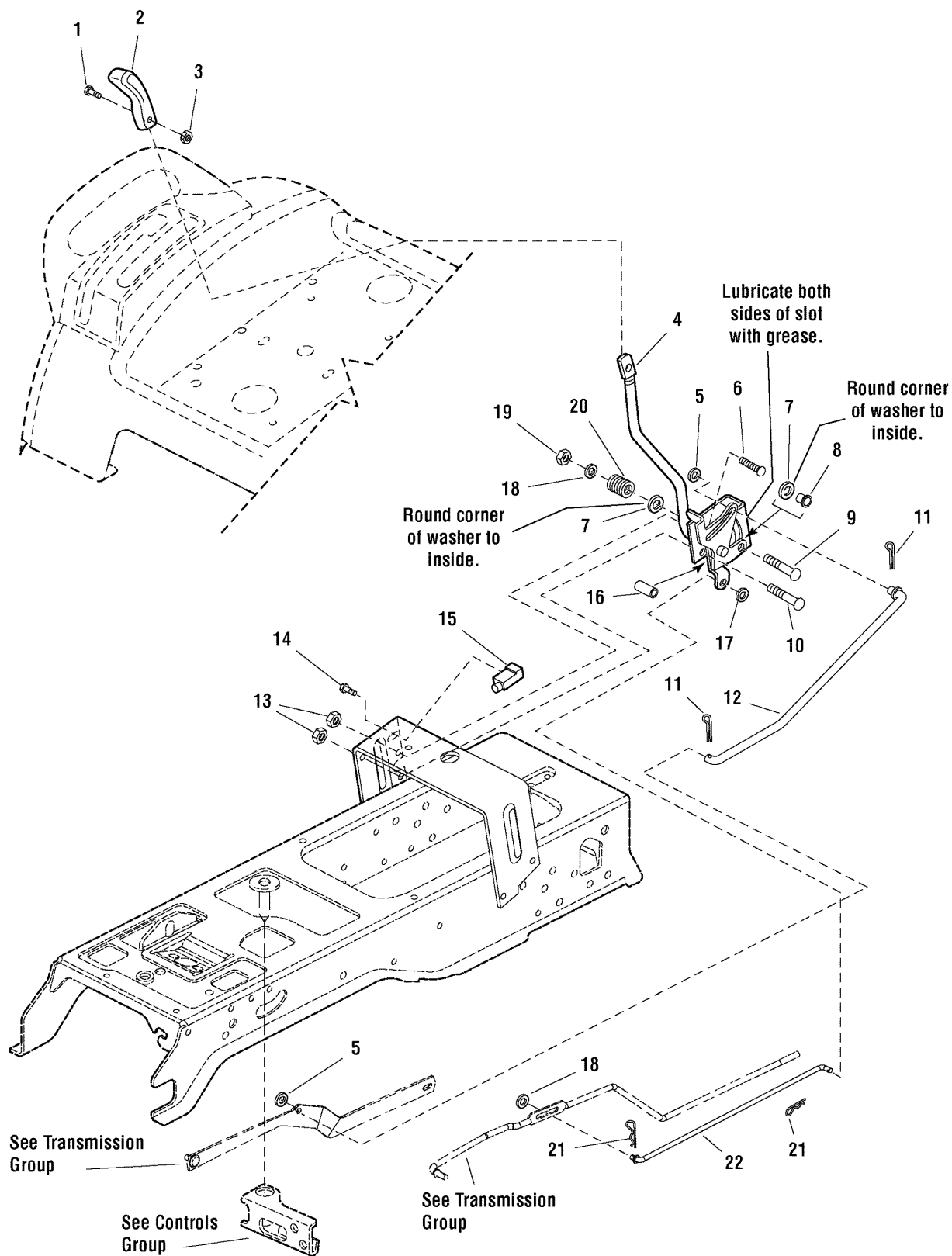


## Controls Group

---

| Item | Part No  | Qty | Description                     | Note |
|------|----------|-----|---------------------------------|------|
| 38   | 1722083A | 1   | ACTUATOR, Switch                |      |
| 39   | 1921333  | 3   | CAPSCREW, Hex Head, 5/16-18 x 1 |      |
| 40   | 1722070A | 1   | PEDAL, Forward                  |      |
| 41   | 1721675  | 1   | PAD, Foot Pedal Forward         |      |
| 42   | 1721674  | 1   | PAD, Foot Pedal Reverse         |      |
| 43   | 1722071A | 1   | PEDAL, Reverse                  |      |
| 44   | 1931333  | 4   | CARRIAGE BOLT, 5/16-18 x 3/4    |      |
| 45   | 1931348  | 1   | CARRIAGE BOLT, 3/8-16 x 3/4     |      |
| 46   | 1726087A | 1   | SUPPORT, Idler                  |      |

Footnotes:

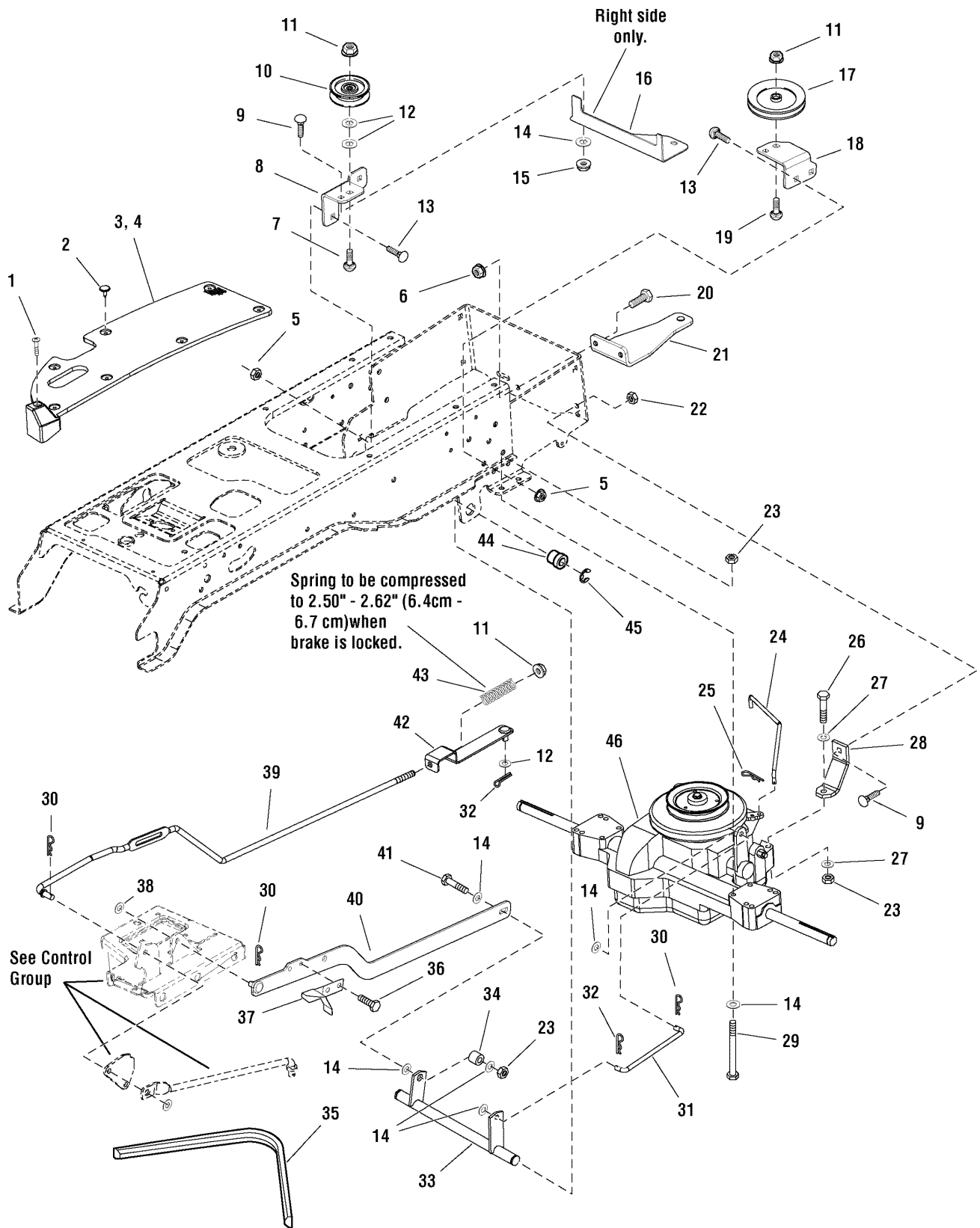


## **Cruise Control Group**

---

| <b>Item</b> | <b>Part No</b> | <b>Qty</b> | <b>Description</b>                       | <b>Note</b> |
|-------------|----------------|------------|--|-------------|
| 1           | 1960666        | 1          | CAPSCREW, Torx Socket Head, 1/4-20 x 7/8 |             |
| 2           | 1722303        | 1          | KNOB, Cruise                             |             |
| 3           | 1920397        | 1          | NUT, Hex ESNA Lock, 1/4-20               |             |
| 4           | 1723258        | 1          | LEVER & BRACKET ASSEMBLY, Cruise         |             |
| 5           | 1960103        | 3          | WASHER                                   |             |
| 6           | 1931333        | 1          | CARRIAGE BOLT, 5/16-18 x 3/4             |             |
| 7           | 926192         | 2          | WASHER, 9/16 x 1-1/4 x 1/8               |             |
| 8           | 1709043        | 1          | SPACER                                   |             |
| 9           | 1931342        | 1          | CARRIAGE BOLT, 5/16-18 x 2-3/4           |             |
| 10          | 1960273        | 1          | CARRIAGE BOLT, 5/16-18 x 2-1/4           |             |
| 11          | 1918447        | 2          | PIN, Cotter                              |             |
| 12          | 1726059        | 1          | ROD, Cruise                              |             |
| 13          | 1960636        | 2          | NUT, Hex KEPS, 5/16-18                   |             |
| 14          | 1960001        | 2          | CAPSCREW, Hex Head Plastite, 10-14 x 5/8 |             |
| 15          | 1717050        | 1          | SWITCH, Push, Neutral Start, Gray        |             |
| 16          | 1722080        | 1          | SPACER                                   |             |
| 17          | 1919326        | 1          | WASHER                                   |             |
| 18          | 1919381        | 2          | WASHER                                   |             |
| 19          | 1919438        | 1          | NUT, Hex ESNA Lock, 5/16-18              |             |
| 20          | 1677746        | 1          | SPRING, Compression                      |             |
| 21          | 1722460        | 2          | PIN, Quick                               |             |
| 22          | 1723099        | 1          | ROD, Cruise Return                       |             |

### **Footnotes:**

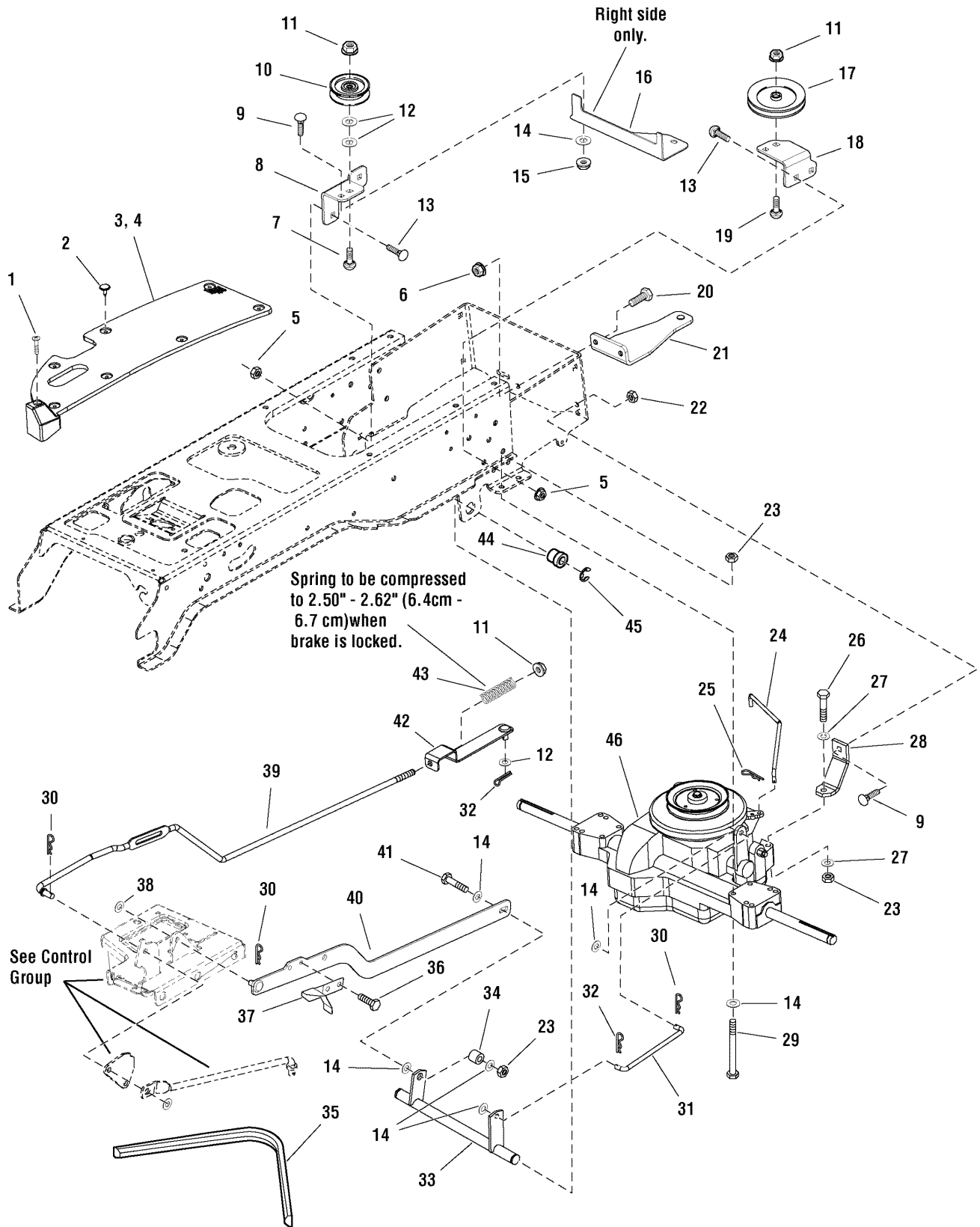


## Transmission Group - Tuff Torq K-46BF

| Item | Part No  | Qty | Description  | Note |
|------|----------|-----|--|------|
| 1    | 1960676  | 2   | SCREW, Pan Head Torx Taptite, 1/4-20 x 1-1/4                 |      |
| 2    | 1704351  | 15  | FASTENER, Panel 3/4 Head                                     |      |
| 3    | 1722173  | 1   | PAD, Footrest, RH Black Vinyl Textured                       |      |
| 4    | 1722174  | 1   | PAD, Footrest with Differential Lock, LH Black Vinyl Texture |      |
| 5    | 1960637  | 4   | NUT, Hex KEPS, 3/8-16  |      |
| 6    | 1928352  | 2   | NUT, Hex Flange, 3/8-16 Whiz Lock Large                      |      |
| 7    | 1931353  | 1   | CARRIAGE BOLT, 3/8-16 x 1-3/4 G5                             |      |
| 8    | 1726052A | 1   | SUPPORT, Idler, RH   |      |
| 9    | 1931333  | 3   | CARRIAGE BOLT, 5/16-18 x 3/4 G5                              |      |
| 10   | 2174561  | 1   | PULLEY, 3 in.  |      |
| 11   | 1960687  | 3   | NUT, Hex Flange 3/8-16 ESNA                                  |      |
| 12   | 1922755  | 3   | WASHER, 3/4  |      |
| 13   | 1931350  | 4   | CARRIAGE BOLT, 3/8-16 x 1 G5                                 |      |
| 14   | 1919326  | 10  | WASHER, 5/16   |      |
| 15   | 1960684  | 2   | NUT, Hex KEPS, 5/16-18 Conical Washer                        |      |
| 16   | 1727431A | 1   | BRACKET, Chute Locator                                       |      |
| 17   | 1710545  | 1   | PULLEY, Idler, 4 in.   |      |
| 18   | 1726053A | 1   | SUPPORT, Idler, LH   |      |
| 19   | 1931352  | 1   | CARRIAGE BOLT, 3/8-16 x 1-1/2 G5                             |      |
| 20   | 1921210  | 2   | CAPSCREW, Hex Head, 3/8-16X1.000 G5 BLK                      |      |
| 21   | 1727400A | 1   | DRAWBAR, 1/4 in. Thick                                       |      |
| 22   | 1960636  | 1   | NUT, Hex KEPS, 5/16-18                                       |      |
| 23   | 1919438  | 6   | NUT, Hex Lock ESNA Light, 5/16-18NC-3B                       |      |
| 24   | 1727526  | 1   | ROD, Transmission Release                                    |      |
| 25   | 1960221  | 1   | CLIP, Hair Pin Spring  |      |
| 26   | 1921978  | 1   | CAPSCREW, Hex Head, 5/16-18 x 2 G5                           |      |
| 27   | 1960141  | 2   | WASHER, 5/16   |      |
| 28   | 1726055A | 1   | STRAP, Torque, 1/4 Thick 4 in. Long                          |      |
| 29   | 1923141  | 4   | CAPSCREW, Hex Head, 5/16-18 x 2-3/4 G5                       |      |
| 30   | 1722460  | 3   | PIN, Quick   |      |
| 31   | 1723045  | 1   | ROD, Control   |      |
| 32   | 1918447  | 2   | PIN, Cotter  |      |
| 33   | 1727552  | 1   | SHAFT & ARMS ASSEMBLY, Control                               |      |
| 34   | 1666697  | 1   | SPACER, Powered Metal  |      |
| 35   | 1727407  | 1   | V-BELT, Drive Belt   |      |
| 36   | 1924856  | 2   | CAPSCREW, Hex Washer Head Taptite, 5/16-18 x 1/2             |      |
| 37   | 1727215A | 1   | ACTUATOR, Switch   |      |

### Footnotes:

**Transmission Group - Tuff Torq K-46BF**





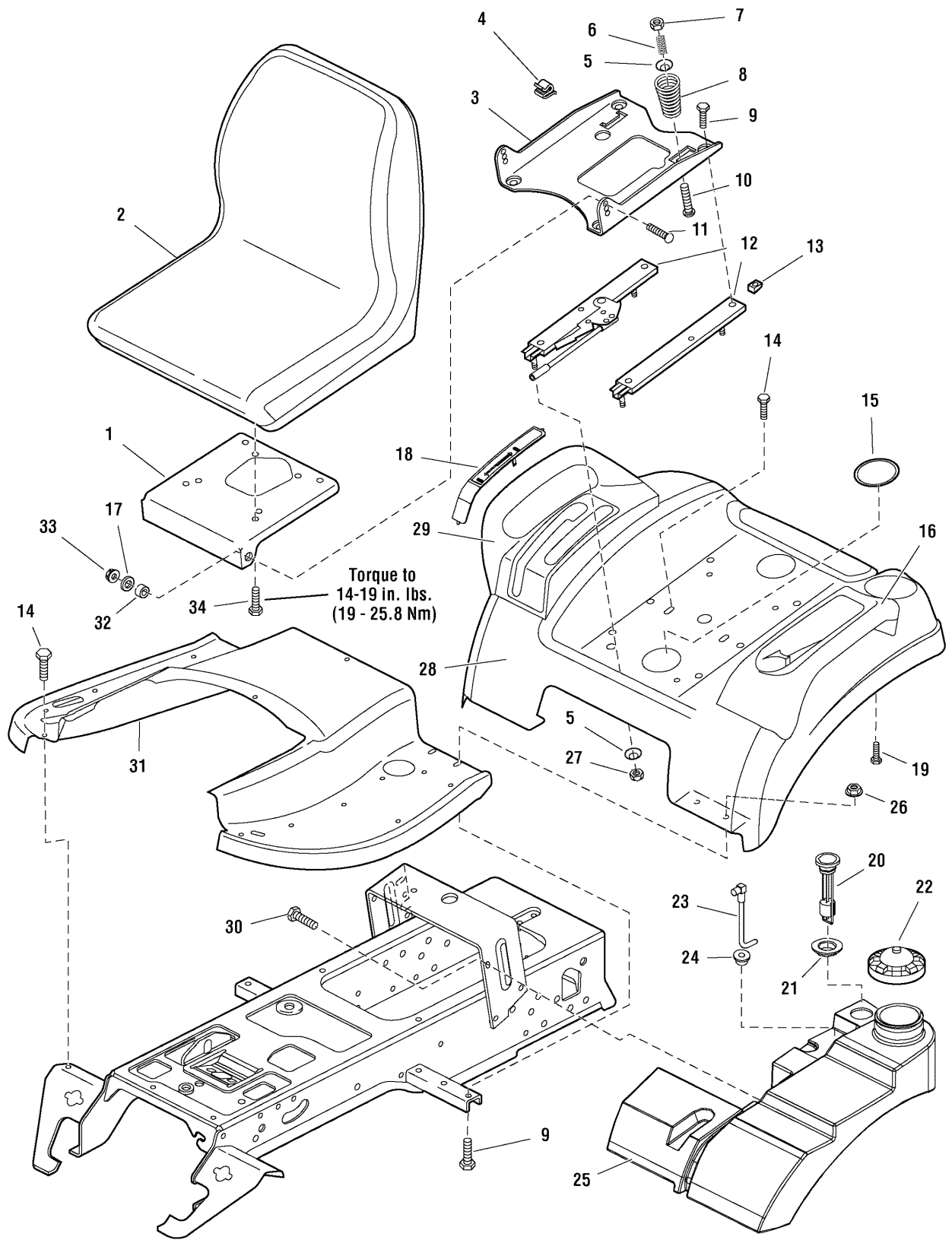
## **Transmission Group - Tuff Torq K-46BF**

---

| <b>Item</b> | <b>Part No</b> | <b>Qty</b> | <b>Description</b>                     | <b>Note</b> |
|-------------|----------------|------------|--|-------------|
| 38          | 1924940        | 1          | WASHER, 3/8                            |             |
| 39          | 1726057        | 1          | ROD, Brake                             |             |
| 40          | 1727473        | 1          | ARM & PIN ASSEMBLY, Speed Control      |             |
| 41          | 1921333        | 1          | CAPSCREW, Hex Head, 5/16-18 x 1 G5     |             |
| 42          | 1723267        | 1          | BRACKET & PIN ASSEMBLY, Brake          |             |
| 43          | 1729277        | 1          | SPRING, Compression                    |             |
| 44          | 2176440        | 2          | BUSHING, Nylon                         |             |
| 45          | 2927794        | 2          | RING, E Retaining                      |             |
| 46          | 1727712        | 1          | TRANSMISSION ASSEMBLY, Tuff Torq K46BF |             |

**Footnotes:**

# Seat Deck & Fuel Tank Group

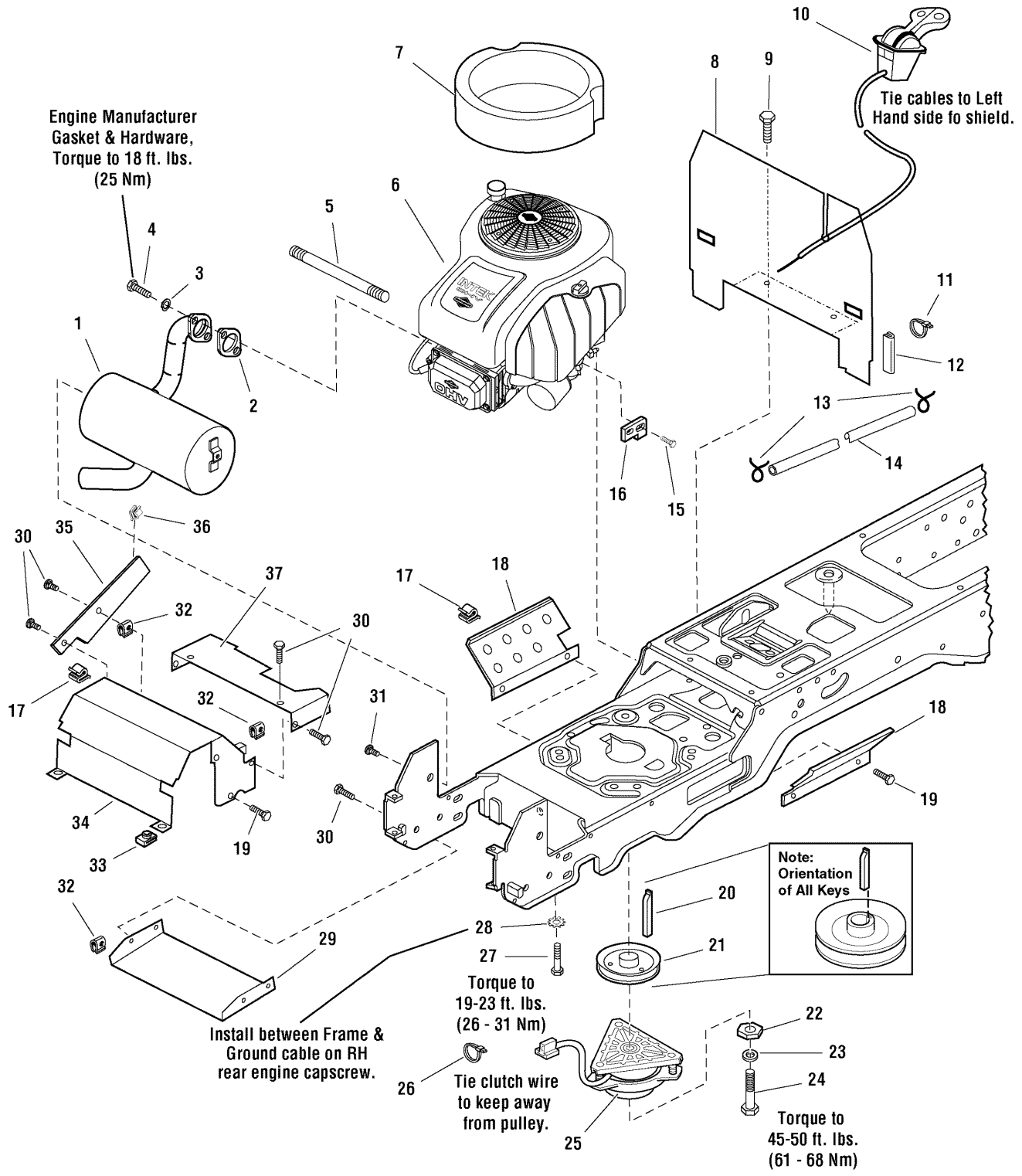


## Seat Deck & Fuel Tank Group

| Item | Part No  | Qty | Description                                       | Note |
|------|----------|-----|---|------|
| 1    | 1722129A | 1   | BRACKET, Seat                                     |      |
| 2    | 1725019  | 1   | SEAT, 15" Back, Snapper Logo                      |      |
| 3    | 1722128A | 1   | SUPPORT, Seat                                     |      |
| 4    | 2172434  | 1   | CLIP, Wire  |      |
| 5    | 1709256A | 6   | WASHER, Spring                                    |      |
| 6    | 1714263  | 2   | SPRING, Compression                               |      |
| 7    | 1919438  | 2   | NUT, Hex Lock ESNA, 5/16-18                       |      |
| 8    | 1717051  | 2   | SPRING, Compression                               |      |
| 9    | 1930591  | 8   | CAPSCREW, Hex Head Whizlock, 5/16-18 x 3/4        |      |
| 10   | 1931339  | 2   | CARRIAGE BOLT, 5/16-18 x 2                        |      |
| 11   | 1931350  | 2   | CARRIAGE BOLT, 3/8-16 x 1                         |      |
| 12   | 1722356  | 1   | SLIDE, Seat, (2 Piece Set)                        |      |
| 13   | 1935255  | 4   | NUT, Speed, 5/16-18                               |      |
| 14   | 1930601  | 4   | CAPSCREW, Hex Head Taptite, 5/16-18 x 5/8         |      |
| 15   | 1722309  | 1   | PLUG, Hole Black                                  |      |
| 16   | 1722109  | 1   | POD, LH, w/Cup Holder                             |      |
| 17   | 1924940  | 2   | WASHER  |      |
| 18   | 1722313  | 1   | COVER, Cruise, w/Symbols                          |      |
| 19   | 2960664  | 4   | CAPSCREW, Hex Head Washer Dog Point, 1/4-20 x 7/8 |      |
| 20   | 1722300  | 1   | GAS GAUGE   |      |
| 21   | 1722337  | 1   | GROMMET   |      |
| 22   | 1715917  | 1   | CAP, Gas  |      |
| 23   | 1722340  | 1   | TUBE & ELBOW ASSEMBLY                             |      |
| 24   | 1654930  | 1   | BUSHING   |      |
| 25   | 1722652  | 1   | TANK, Fuel  |      |
| 26   | 1931277  | 4   | NUT, Hex Whiz Lock, 5/16-18                       |      |
| 27   | 1960636  | 4   | NUT, Hex KEPS, 5/16-18                            |      |
| 28   | 1727397D | 1   | DECK, Seat, Red                                   |      |
| 29   | 1722108  | 1   | POD, RH, W/2 Slots                                |      |
| 30   | 2934665  | 1   | CAPSCREW, Hex Head Whizlock, 5/16-18 x 5/8        |      |
| 31   | 1722105D | 1   | TUNNEL, Footrest, Red                             |      |
| 32   | 1663752  | 2   | SPACER  |      |
| 33   | 1930645  | 2   | NUT, Hex Flange Lock, 3/8-16                      |      |
| 34   | 1960667  | 4   | CAPSCREW, Hex Head Flange Lock, 5/16-18 x 3/4     |      |

### Footnotes:

**Engine Group - 18 HP INTEK Single Cyl.**



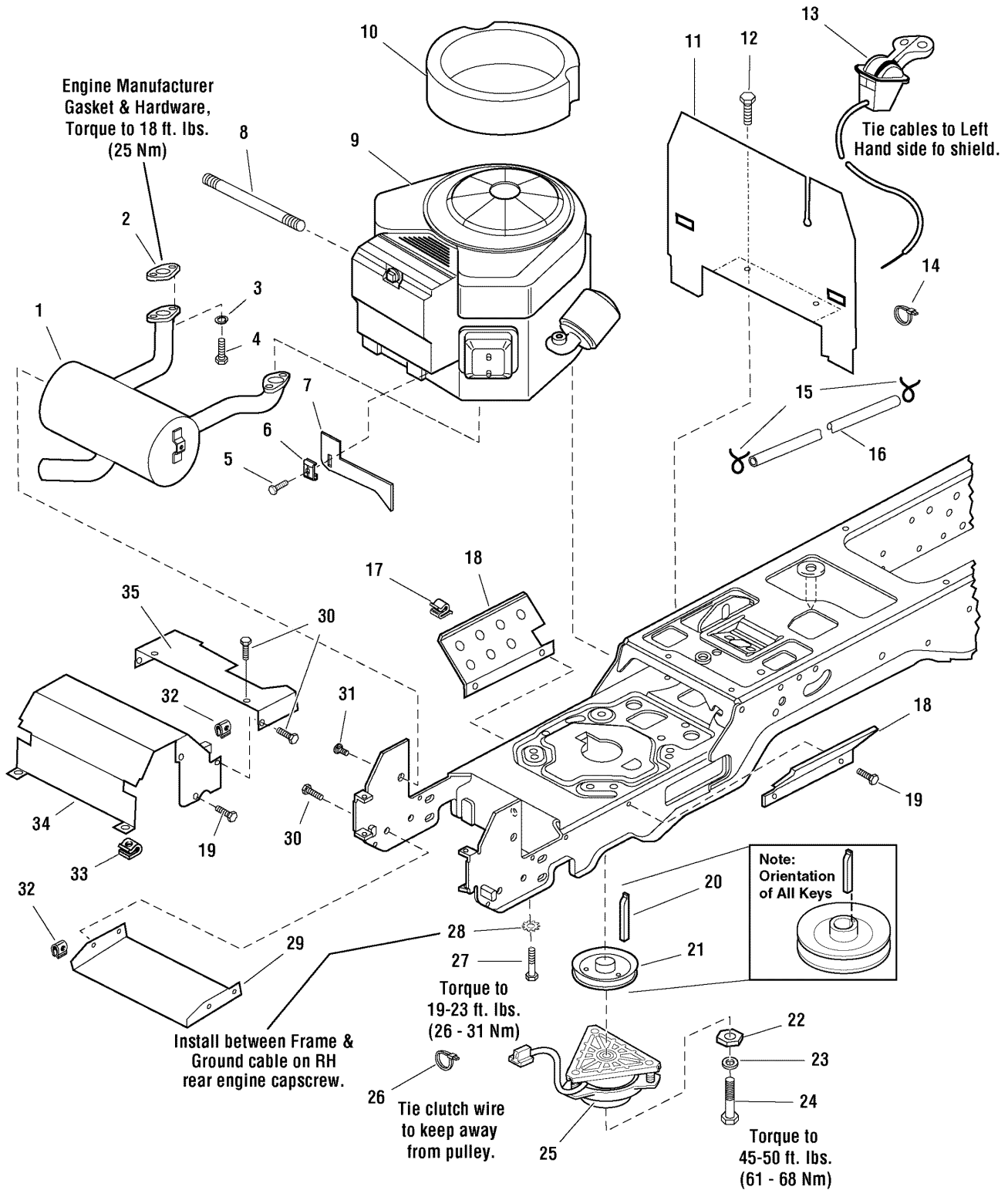
## Engine Group - 18 HP INTEK Single Cyl.

| Item | Part No  | Qty | Description   | Note |
|------|----------|-----|---|------|
| 1    | 1723467  | 1   | MUFFLER   |      |
| 2    | -        | 2   | * GASKET  |      |
| 3    | 1917356  | 4   | LOCKWASHER, 5/16                                    |      |
| 4    | 2960660  | 4   | CAPSCREW, Socket Head, 5/16-18 x 7/8, G8            |      |
| 5    | 1723165  | 1   | HOSE, Oil Drain                                     |      |
| 6    | -        | 1   | * ENGINE, 18HP B&S INTEK Single Mod. 31H777-0118-E1 |      |
| 7    | 1722950  | 1   | SEAL, Circle  |      |
| 8    | 1722388A | 1   | BULKHEAD  |      |
| 9    | 1925003  | 2   | CAPSCREW, Hex Head Taptite, 1/4-20 x 1/2            |      |
| 10   | 1724013  | 1   | CONTROL, Throttle/Choke                             |      |
| 11   | 2925094  | 1   | TIE   |      |
| 12   | 1723894  | 1   | EDGING, Rubber                                      |      |
| 13   | 2960112  | 2   | CLAMP, Hose Type E                                  |      |
| 14   | 1723174  | 1   | HOSE, 59" Long                                      |      |
| 15   | 1726466  | 1   | SCREW, Trox Head Taptite, #8-32 x 1/2               |      |
| 16   | 1726465  | 1   | PLATE, Limiter RPM                                  |      |
| 17   | 2934683  | 2   | CLIP, Wire  |      |
| 18   | 1722392A | 2   | SHIELD  |      |
| 19   | 1929000  | 3   | SCREW, Hex Head Taptite, 1/4-20 x 3/8               |      |
| 20   | 1720463  | 1   | KEY   |      |
| 21   | 1722288  | 1   | PULLEY & HUB ASSEMBLY, 4-1/2 OD                     |      |
| 22   | 1708264  | 1   | WASHER, Hex   |      |
| 23   | 1918199  | 1   | LOCKWASHER, 7/16                                    |      |
| 24   | 1960648  | 1   | CAPSCREW, Hex Head, 7/16-20 x 2-3/4                 |      |
| 25   | 1720532  | 1   | CLUTCH, Electric, OGURA                             |      |
| 26   | 2932747  | 1   | TIE   |      |
| 27   | 2930598  | 4   | CAPSCREW, Hex Head Taptite, 3/8-16 x 1-1/2          |      |
| 28   | 2920427  | 1   | LOCKWASHER, External Tooth, 3/8                     |      |
| 29   | 1722414A | 1   | SHIELD, Muffler Bottom                              |      |
| 30   | 1960295  | 6   | CAPSCREW, Hex Head Flange Lock 1/4-20 x 5/8         |      |
| 31   | 1924856  | 2   | CAPSCREW, Hex Head Taptite, 5/16-18 x 1/2           |      |
| 32   | 1960368  | 5   | NUT, Speed, 1/4-20                                  |      |
| 33   | 1935255  | 2   | NUT, Speed, 5/16-18                                 |      |
| 34   | 1722389A | 1   | DUCT, Muffler Top                                   |      |
| 35   | 1723897A | 1   | GUARD, Manifold Pipe                                |      |
| 36   | 2172434  | 1   | CLIP, Wire  |      |
| 37   | 1722390A | 1   | DUCT, Muffler Extension                             |      |

### Footnotes:

Note\* See your local Briggs & Stratton distributor for parts and service.

**Engine Group - 18 HP & 20 HP VANGUARD Twin Cyl.**



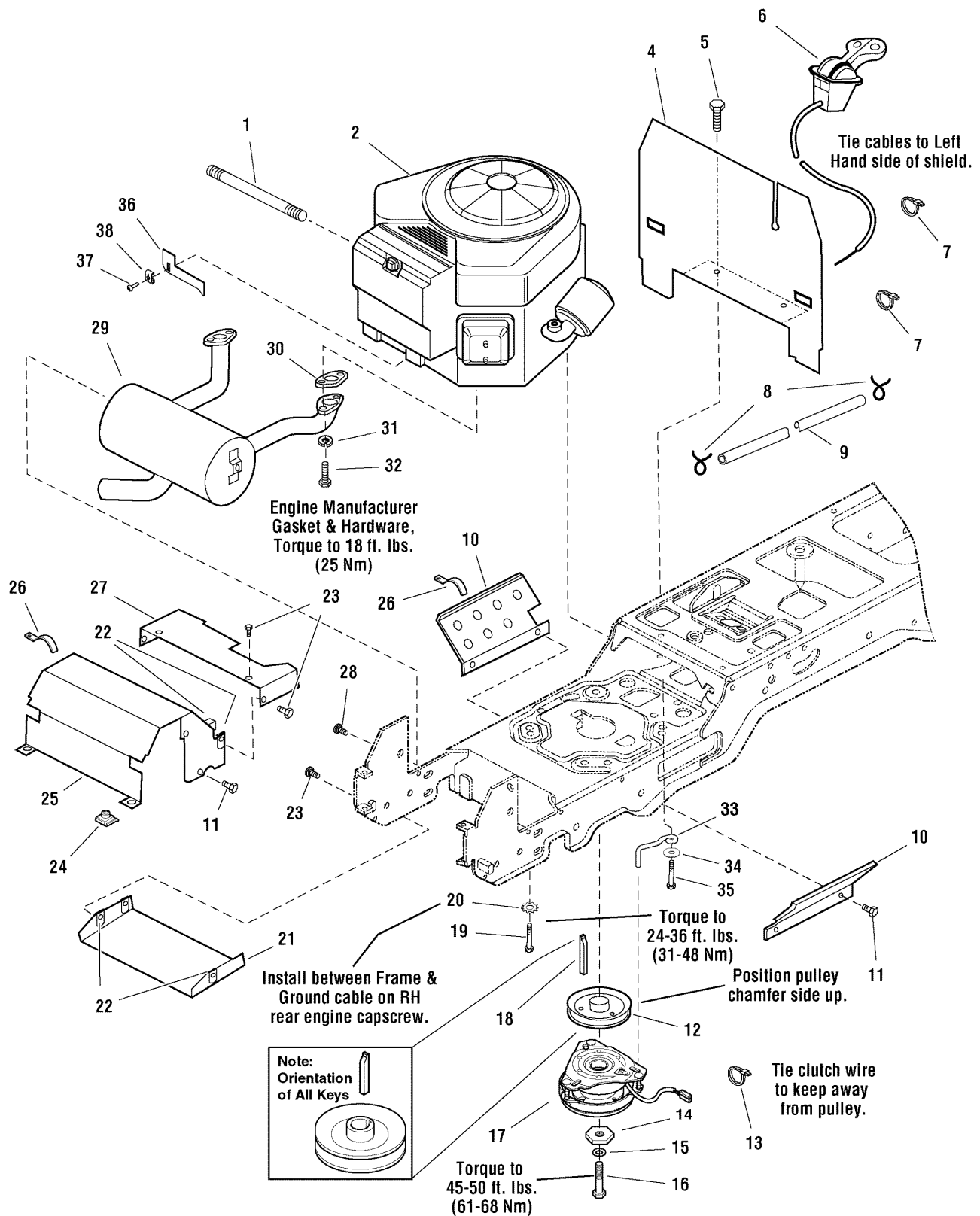
## Engine Group - 18 HP & 20 HP VANGUARD Twin Cyl.

| Item | Part No  | Qty | Description                                       | Note |
|------|----------|-----|---|------|
| 1    | 1722625  | 1   | MUFFLER   |      |
| 2    | --       | 1   | * GASKET  |      |
| 3    | 1917356  | 2   | LOCKWASHER, 5/16                                  |      |
| 4    | 2960660  | 2   | CAPSCREW, Socket Head, 5/16-18 x 7/8, G8          |      |
| 5    | 1728125  | 1   | SCREW, Pan Head Trox, #10-32 x 5/8                |      |
| 6    | 1728126  | 1   | CLAMP, Throttle Cable                             |      |
| 7    | 1727696  | 1   | PLATE, Limiter RPM                                |      |
| 8    | 1723165  | 1   | HOSE, Oil Drain                                   |      |
| 9    | --       | 1   | * ENGINE, 18HP B&S INTEK Twin Mod. 356777-0113-E1 |      |
| 9    | --       | 1   | * ENGINE, 20HP B&S INTEK Twin Mod. 358777-0110-E1 |      |
| 10   | 1722949  | 1   | SEAL, Circle                                      |      |
| 11   | 1722388A | 1   | BULKHEAD  |      |
| 12   | 1925003  | 2   | CAPSCREW, Hex Head Taptite, 1/4-20 x 1/2          |      |
| 13   | 1727223  | 1   | CONTROL, Throttle Double 39" Long w/Knobs         |      |
| 14   | 2925094  | 1   | TIE   |      |
| 15   | 2960112  | 2   | CLAMP, Hose Type E                                |      |
| 16   | 1723165  | 1   | HOSE, 59" Long                                    |      |
| 17   | 2934683  | 2   | CLIP, Wire  |      |
| 18   | 1722392A | 2   | SHIELD  |      |
| 19   | 1929000  | 8   | SCREW, Hex Head Taptite, 1/4-20 x 3/8             |      |
| 20   | 1720463  | 1   | KEY   |      |
| 21   | 1722288  | 1   | PULLEY & HUB ASSEMBLY, 4-1/2 OD                   |      |
| 22   | 1708264  | 1   | WASHER, Hex                                       |      |
| 23   | 1918199  | 1   | LOCKWASHER, 7/16                                  |      |
| 24   | 1960648  | 1   | CAPSCREW, Hex Head, 7/16-20 x 2-3/4               |      |
| 25   | 1720532  | 1   | CLUTCH, Electric, OGURA                           |      |
| 26   | 2932747  | 1   | TIE   |      |
| 27   | 2930598  | 4   | CAPSCREW, Hex Head Taptite, 3/8-16 x 1-1/2        |      |
| 28   | 2920427  | 1   | LOCKWASHER, External Tooth, 3/8                   |      |
| 29   | 1722414A | 1   | SHIELD, Muffler Bottom                            |      |
| 30   | 1960295  | 8   | CAPSCREW, Hex Head Flange Lock, 1/4-20 x 5/8      |      |
| 31   | 1924856  | 2   | CAPSCREW, Hex Head Taptite, 5/16-18 x 1/2         |      |
| 32   | 1960368  | 8   | NUT, Speed, 1/4-20                                |      |
| 33   | 1935255  | 2   | NUT, Speed, 5/16-18                               |      |
| 34   | 1722389A | 1   | DUCT, Muffler Top                                 |      |
| 35   | 1722390A | 1   | DUCT, Muffler Extension                           |      |

### Footnotes:

Note\* See your local Briggs & Stratton distributor for parts and service.

# Engine & Electric Clutch Group - 21HP Briggs & Stratton, Vanguard





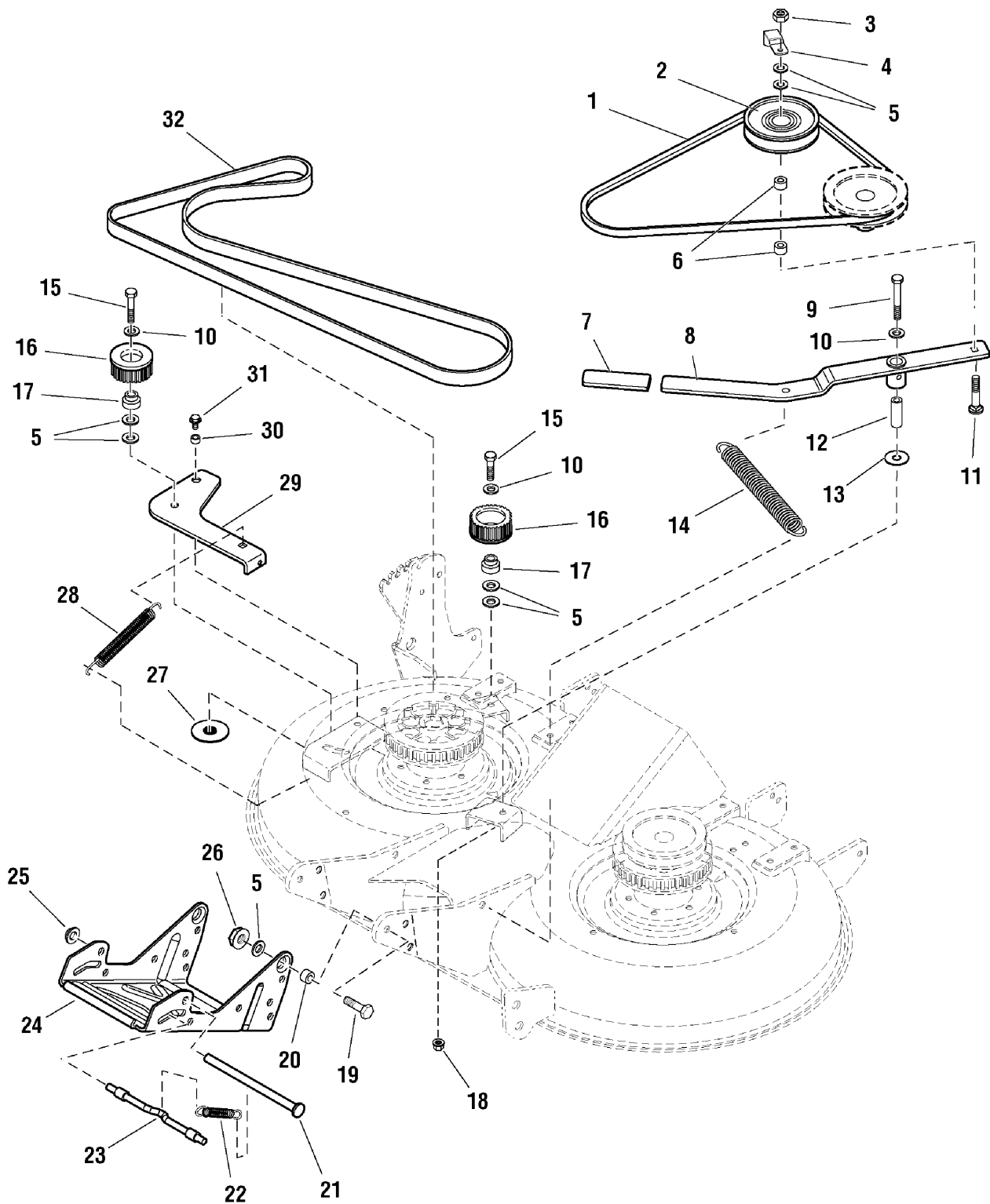
## Engine & Electric Clutch Group - 21HP Briggs & Stratton, Vanguard

| Item | Part No  | Qty | Description   | Note |
|------|----------|-----|---|------|
| 1    | 1723165  | 1   | HOSE, Oil Drain, 10-1/2" Long, 3/8-18 Fittings          |      |
| 2    | --       | 1   | * ENGINE, 21HP B&S Vanguard Twin, Mod. 385777-0119-G1   |      |
| 4    | 1722388A | 1   | BULKHEAD  |      |
| 5    | 1925003  | 2   | CAPSCREW, Hex Washer Head Taptite, 1/2-20 x 1/2, Black  |      |
| 6    | 1734506  | 1   | CONTROL, Throttle Double 39" Long w/Knobs               |      |
| 7    | 2825094  | 2   | TIE, Wire, 7-5/16" Long                                 |      |
| 8    | 791850   | 2   | * CLAMP, Hose Type E                                    |      |
| 9    | 1734985  | 1   | HOSE, Fuel, 59" Long                                    |      |
| 10   | 1722392A | 2   | SHIELD, Side  |      |
| 11   | 1927428  | 8   | CAPSCREW, Hex Washer Head Taptite, 1/4-20 x 3/8         |      |
| 12   | 1722288  | 1   | PULLEY & HUB ASSEMBLY                                   |      |
| 13   | 2832747  | 2   | TIE, Self Locking, 3-5/8 Long                           |      |
| 14   | 1708264  | 1   | WASHER, Hex, 7/16, Black                                |      |
| 15   | 1918199  | 1   | LOCKWASHER, 7/16  |      |
| 16   | 1960648  | 1   | CAPSCREW, Hex Head, 7/16-20 x 3-3/4                     |      |
| 17   | 1686880  | 1   | CLUTCH, Electric  |      |
| 18   | 1720463  | 1   | KEY, HI PRO, 1/4 x 2 1/2                                |      |
| 19   | 2830598  | 4   | CAPSCREW, Hex Washer Head Taptite, 3/8-16 x 1-1/2       |      |
| 20   | 2820427  | 1   | LOCKWASHER, External Tooth, 3/8                         |      |
| 21   | 1722414A | 1   | SHIELD, Muffler Bottom                                  |      |
| 22   | 1960368  | 8   | NUT, Speed, 1/4-20, Lug                                 |      |
| 23   | 1960295  | 8   | CAPSCREW, Hex Flange Whiz Lock, 1/4-20 x 5/8            |      |
| 24   | 1935255  | 2   | NUT, Speed, 5/16-18, Lug, Black                         |      |
| 25   | 1722389A | 1   | DUCT, Muffler Top                                       |      |
| 26   | 2834683  | 2   | CLIP, Wire 1/8  |      |
| 27   | 1722390A | 1   | DUCT, Muffler Extension                                 |      |
| 28   | 1924856  | 2   | CAPSCREW, Hex Washer Head Taptite, 5/16-18 x 1/2, Black |      |
| 29   | 1736543  | 1   | MUFFLER, Briggs & Stratton, Vanguard Twin               |      |
| 30   | --       | 1   | * GASKET, Briggs & Stratton, Vanguard Twin              |      |
| 31   | --       | 4   | * LOCKWASHER, 5/16                                      |      |
| 32   | --       | 4   | * CAPSCREW, Hex Flange Whiz Lock, 5/16-18 x 7/8         |      |
| 33   | 1732026  | 1   | RETAINER, Clutch  |      |
| 34   | 1924940  | 1   | WASHER, Flat 3/8  |      |
| 35   | 2827187  | 1   | CAPSCREW, 3/8-16 x 1                                    |      |
| 36   | 1732396  | 1   | PLATE, RMP Limiter                                      |      |
| 37   | 1728125  | 1   | SCREW, Pan Head Torx                                    |      |
| 38   | 1728126  | 1   | THROTTLE CABLE - Clamp                                  |      |

### Footnotes:

Note\* See your local Briggs & Stratton distributor for parts

# 40" Mower Deck - Belt, Idle Arm & Hitch

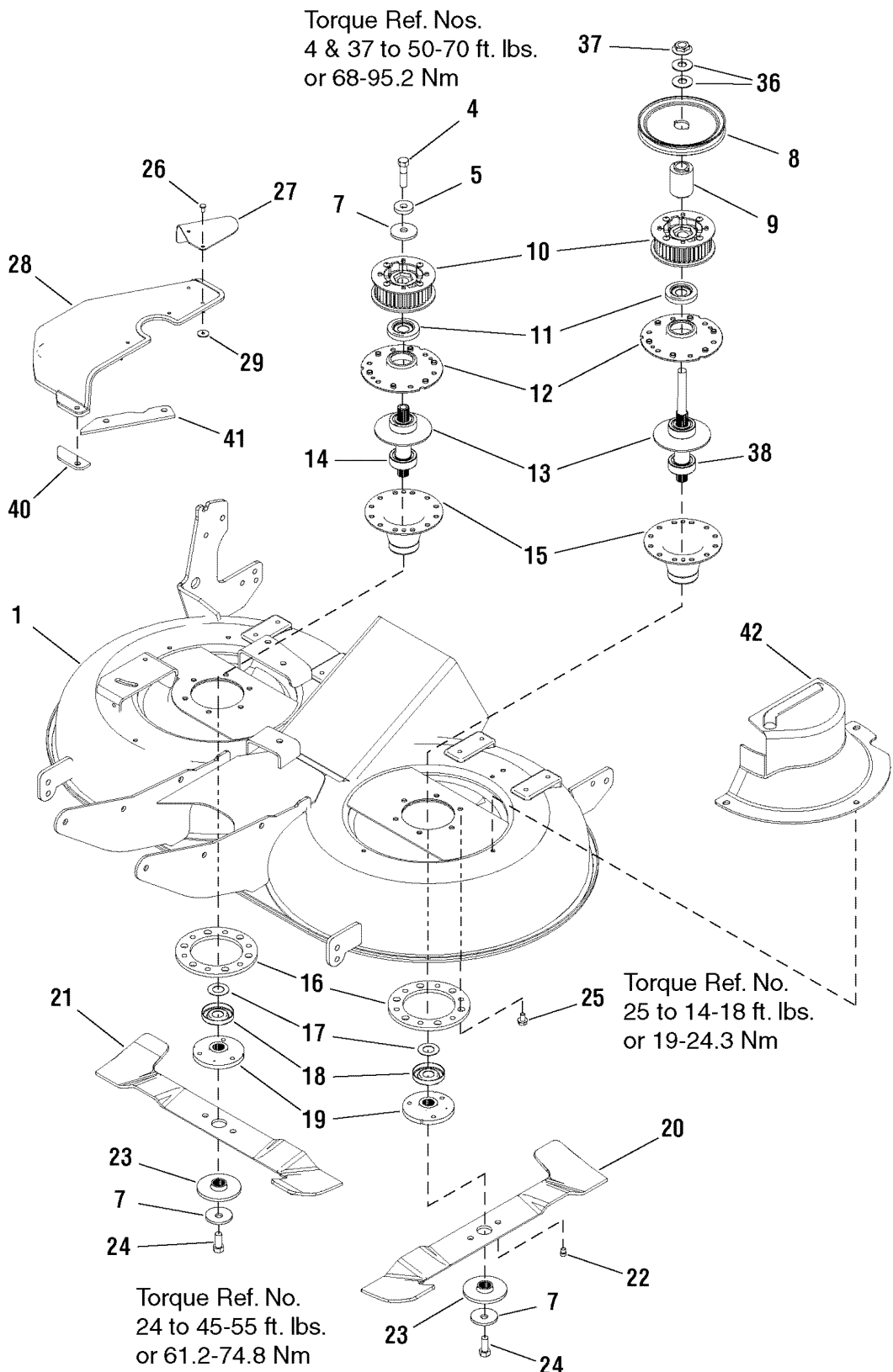


## 40" Mower Deck - Belt, Idle Arm & Hitch

| Item | Part No  | Qty | Description                               | Note |
|------|----------|-----|---|------|
| 1    | 1725557  | 1   | V-BELT                                    |      |
| 2    | 2101096  | 1   | PULLEY, 4-1/2 OD                          |      |
| 3    | 1919439  | 1   | NUT, Hex Lock ESNA, 3/8-16                |      |
| 4    | 1719842  | 1   | STOP, Belt                                |      |
| 5    | 1924940  | 8   | WASHER                                    |      |
| 6    | 2157081  | 2   | SPACER                                    |      |
| 7    | 1719965  | 1   | GRIP, Black                               |      |
| 8    | 1720444  | 1   | IDLER ARM ASSEMBLY, w/Bushings            |      |
| 9    | 1960614  | 1   | CAPSCREW, Hex Head, 3/8-16 x 3, G8        |      |
| 10   | 1922755  | 3   | WASHER                                    |      |
| 11   | 1960615  | 1   | CARRIAGE BOLT, 3/8-16 x 2-1/2             |      |
| 12   | 1657242  | 1   | SPACER                                    |      |
| 13   | 1933263  | 1   | WASHER                                    |      |
| 14   | 1715435  | 1   | SPRING, Extension                         |      |
| 15   | 1923701  | 2   | CAPSCREW, Hex Head, 3/8-16 x 2            |      |
| 16   | 1724802  | 2   | PULLEY, Idler                             |      |
| 17   | 1719221  | 2   | HUB, Pulley                               |      |
| 18   | 1928352  | 2   | NUT, Hex Flange Lock, 3/8-16              |      |
| 19   | 1921968  | 2   | CAPSCREW, Hex Head, 3/8-16 1-3/8          |      |
| 20   | 2172329  | 2   | SPACER                                    |      |
| 21   | 1713578  | 1   | ROD                                       |      |
| 22   | 2156302  | 1   | SPRING, Extension                         |      |
| 23   | 1715759  | 1   | ROD                                       |      |
| 24   | 1720044A | 1   | HITCH, Mower                              |      |
| 25   | 1960519  | 1   | NUT, Push                                 |      |
| 26   | 960681   | 2   | NUT, Spiral Flange Toplock, 3/8-16        |      |
| 27   | 1721425  | 1   | WASHER & LOCK NUT ASSEMBLY, 3/8-16        |      |
| 28   | 1674671  | 1   | SPRING, Extension                         |      |
| 29   | 1726387A | 1   | ARM, Idler                                |      |
| 30   | 1666697  | 1   | SPACER                                    |      |
| 31   | 1930601  | 1   | CAPSCREW, Hex Head Taptite, 5/16-18 x 5/8 |      |
| 32   | 1724626  | 1   | BELT, Timing                              |      |

### Footnotes:

# 40" Mower Deck - Housing, Arbors & Blade

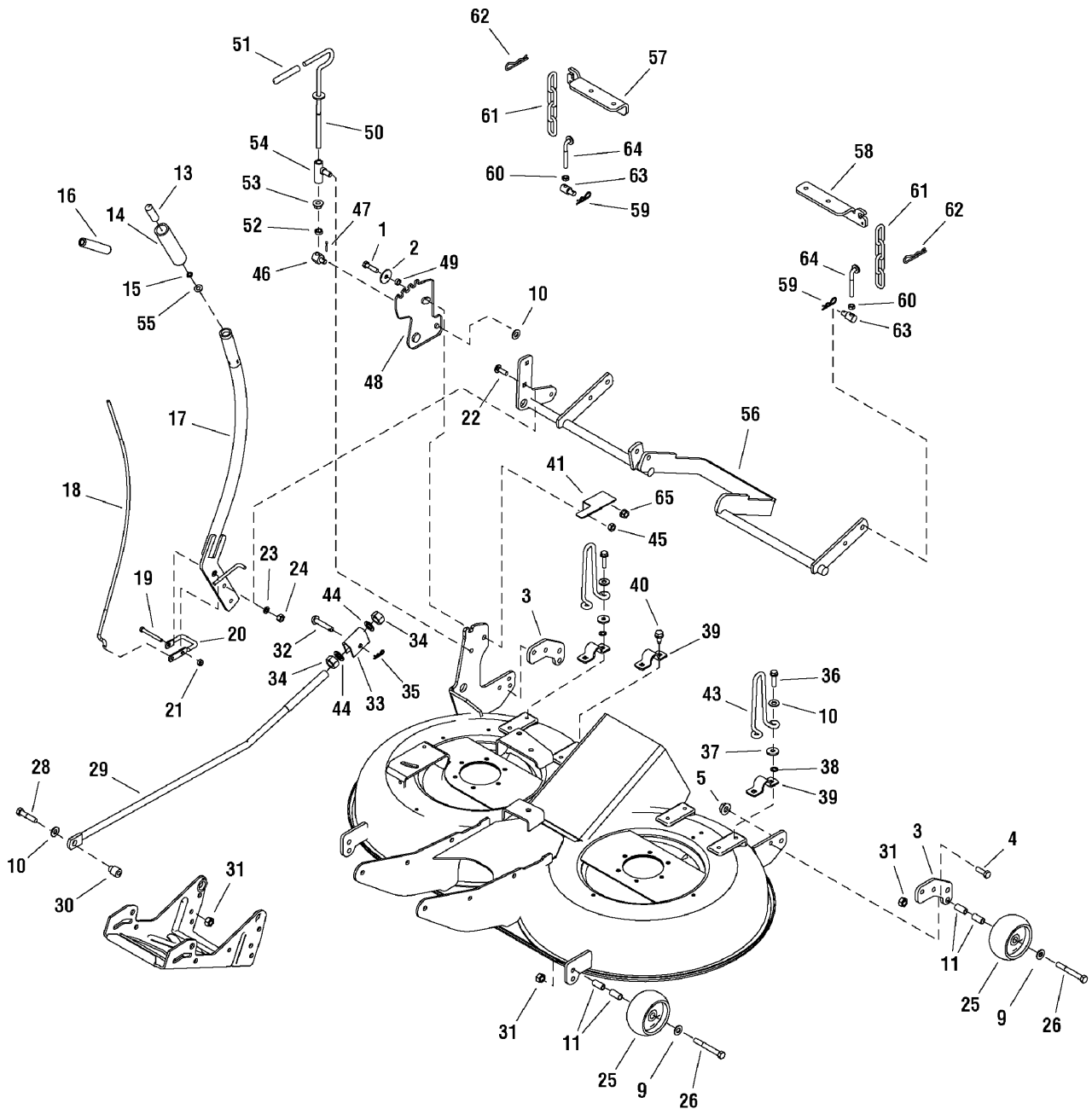


## 40" Mower Deck - Housing, Arbors & Blade

| Item | Part No  | Qty | Description                                     | Note |
|------|----------|-----|---|------|
| 1    | 1733079D | 1   | HOUSING ASSEMBLY, 40" Red                       |      |
| 3    | 1664847  | 6   | SCREW, Hex Washer Head Taptite 5/16-18 x 3/4    |      |
| 4    | 2830584  | 1   | CAPSCREW, Hex Head 7/16-14 x 2-3/4 G8           |      |
| 5    | 1933263  | 1   | WASHER, 7/16                                    |      |
| 7    | 1656916  | 3   | WASHER, Spring                                  |      |
| 8    | 1732123  | 1   | PULLEY  |      |
| 9    | 1719862  | 1   | HUB   |      |
| 10   | 1732590  | 2   | SPROCKET & FLANGE ASSEMBLY, Rivets/Screws 40"   |      |
| 11   | 1657969  | 2   | SHIELD, Bearing, Mower Arbor Upoer Heat Treated |      |
| 12   | 1655729A | 2   | HOUSING, Arbor Top                              |      |
| 13   | 1707335  | 2   | GASKET, Foam                                    |      |
| 14   | 1722396  | 1   | ARBOR SHAFT & BEARINGS ASSEMBLY, 40"            |      |
| 15   | 1703273A | 2   | HOUSING & FITTING ASSEMBLY, Lower               |      |
| 16   | 1677274A | 2   | ADAPTER, Arbor                                  |      |
| 17   | 1700230  | 2   | WASHER, Shim                                    |      |
| 18   | 1700229  | 2   | SHIELD, Bearing                                 |      |
| 19   | 1655777  | 2   | ADAPTER, Blade                                  |      |
| 20   | 1727477  | 1   | BLADE, Mower L.H.                               |      |
| 21   | 1727478  | 1   | BLADE, Mower R.H.                               |      |
| 22   | 1722258  | 2   | PIN, Blade                                      |      |
| 23   | 1722257  | 2   | WASHER, Spline                                  |      |
| 24   | 2827120  | 2   | CAPSCREW, Hex Head 7/16-14 x 2-1/4 G8           |      |
| 25   | 1960373  | 12  | SCREW, Hex Washer Head Taptite 5/16-18 x 1      |      |
| 26   | 1675044  | 2   | RIVET, Pop                                      |      |
| 27   | 1721132A | 1   | GUARD, Extension                                |      |
| 28   | 1724600  | 1   | COVER, Arbor R.H.                               |      |
| 29   | 1960096  | 2   | WASHER  |      |
| 36   | 1713675  | 2   | WASHER, Bellville                               |      |
| 37   | 1714419  | 1   | NUT, Hex Flange 9/16-18                         |      |
| 38   | 1726826  | 1   | ARBOR SHAFT & BEARINGS ASSEMBLY, 40"            |      |
| 40   | 1732960A | 1   | SHIM, Cover L.H.                                |      |
| 41   | 1732961A | 1   | SHIM, Cover R.H.                                |      |
| 42   | 1732301  | 1   | COVER, Arbor L.H.                               |      |

### Footnotes:

# 40" Mower Deck - Height Adjustment & Roller Bar

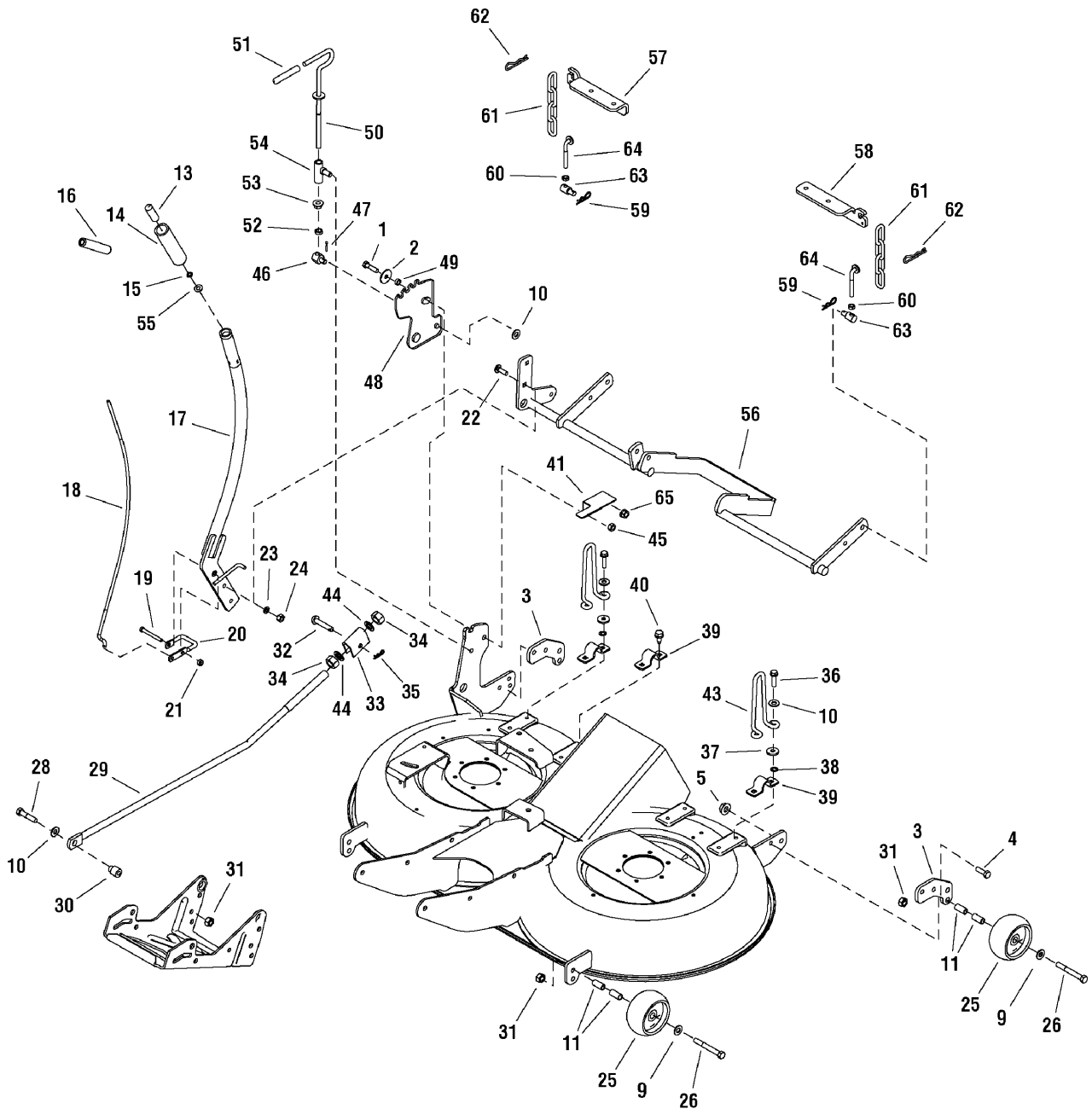


## 40" Mower Deck - Height Adjustment & Roller Bar

| Item | Part No  | Qty | Description                                    | Note |
|------|----------|-----|--|------|
| 1    | 1921977  | 1   | CAPSCREW, Hex Head 5/16-18 x 1-1/4 G5          |      |
| 2    | 1960044  | 1   | WASHER, 5/16                                   |      |
| 3    | 1733899A | 2   | BRACKET, Flat Mounting                         |      |
| 4    | 1921333  | 4   | CAPSCREW, Hex Head 5/16-18 x 1 G5              |      |
| 5    | 1960686  | 4   | NUT, Hex Flange 5/16-18 Esna                   |      |
| 9    | 1960170  | 4   | WASHER, Flat. .5                               |      |
| 10   | 1924940  | 6   | WASHER, 3/8                                    |      |
| 11   | 1960687  | 4   | NUT, Flange, 3/8-16                            |      |
| 13   | 1723124  | 1   | BUTTON   |      |
| 14   | 1713995  | 1   | GRIP   |      |
| 15   | 1960674  | 1   | NUT, Push Pal 1/4 Diameter Thread              |      |
| 16   | 1723321  | 1   | SPRING, Compression                            |      |
| 17   | 1732751A | 1   | HANDLE ASSEMBLY, Lift Curved                   |      |
| 18   | 1732754  | 1   | ROD, Curved                                    |      |
| 19   | 1921159  | 1   | CAPSCREW, Hex Head 1/4-20 x 2-1/4 G5           |      |
| 20   | 1720599  | 1   | LATCH  |      |
| 21   | 1920397  | 1   | NUT, Hex Lock Esna Light 1/4-20                |      |
| 22   | 1931335  | 2   | BOLT, Carriage 5/16-18 x 1 G5                  |      |
| 23   | 1917356  | 2   | LOCKWASHER, 5/16                               |      |
| 24   | 1917372  | 2   | NUT, Hex 5/16-18                               |      |
| 25   | 1714760  | 4   | WHEEL  |      |
| 26   | 2108765  | 4   | CAPSCREW, Hex Head 3/8-16 x 3 G5               |      |
| 28   | 1922606  | 1   | CAPSCREW, Hex Head 3/8-16 x 3/4 G8             |      |
| 29   | 1722661  | 1   | ROD  |      |
| 30   | 1706644  | 1   | SPACER, 3/8 x 3/4 x 15/16                      |      |
| 31   | 2860681  | 1   | NUT, Hex Toplock Spirallock Flange 3/8-16      |      |
| 32   | 2118053  | 1   | PIN, Round Head Drilled 3/8 x 2                |      |
| 33   | 1706645A | 1   | TRUNNION                                       |      |
| 34   | 1915726  | 2   | NUT, Hex 5/8-11                                |      |
| 35   | 1722460  | 1   | PIN, Quick                                     |      |
| 36   | 1931202  | 4   | SCREW, Hex Washer Head Taptite 5/16-18 x 1-1/4 |      |
| 37   | 1919381  | 4   | WASHER, 5/16                                   |      |
| 38   | 1933988  | 4   | NUT, Push Pal 5/16 Diameter Thread             |      |
| 39   | 1665374  | 3   | STRAP  |      |
| 40   | 1664847  | 2   | SCREW, Hex Washer Head Taptite 5/16-18 x 3/4   |      |
| 41   | 1720931A | 1   | BRACKET, Height of Cut                         |      |
| 43   | 1719929  | 2   | UPSTOP   |      |

### Footnotes:

# 40" Mower Deck - Height Adjustment & Roller Bar

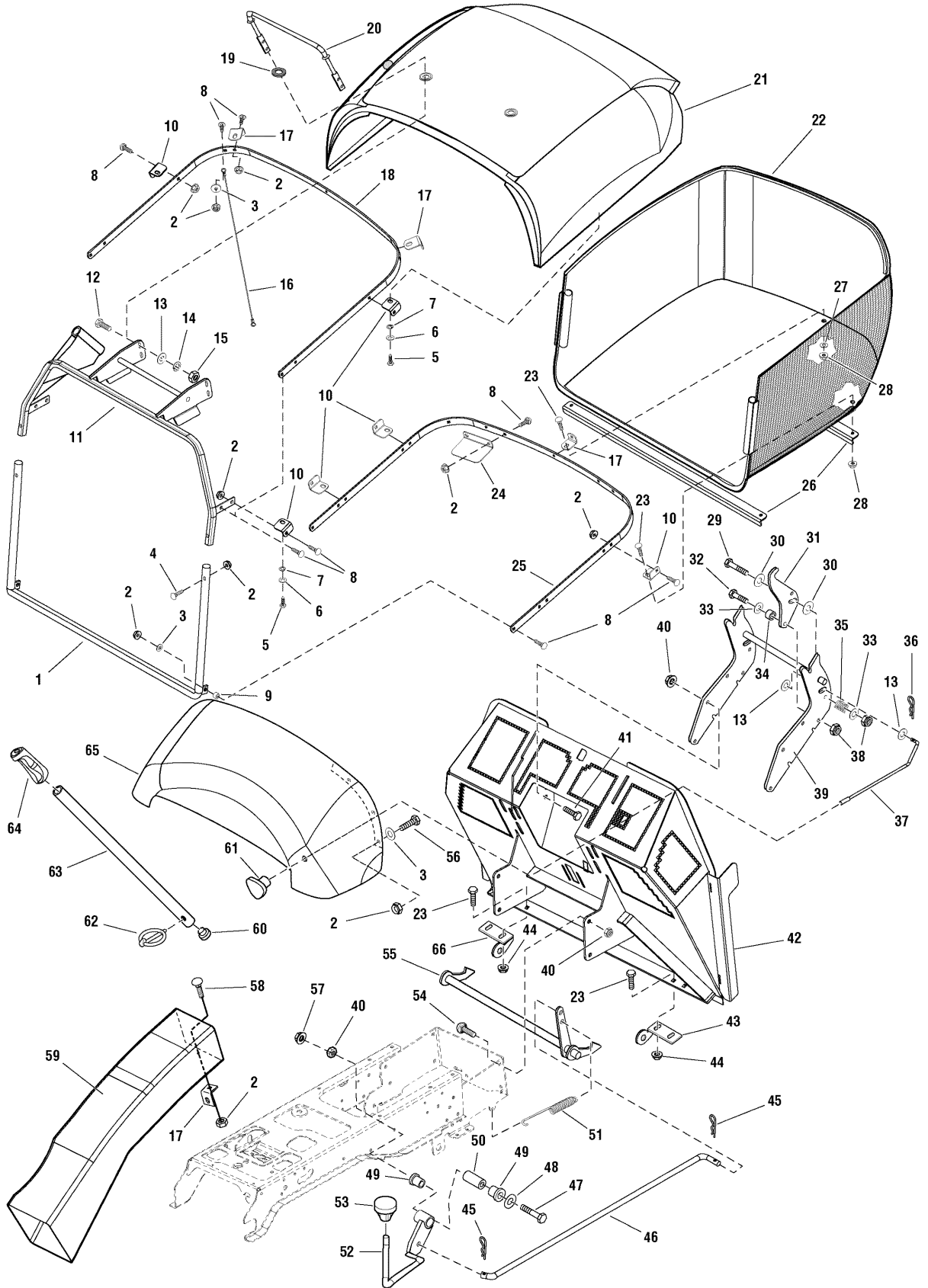




## 40" Mower Deck - Height Adjustment & Roller Bar

| Item | Part No  | Qty | Description                         | Note |
|------|----------|-----|-------------------------------------|------|
| 44   | 1960703  | 2   | WASHER, 5/8                         |      |
| 45   | 1919438  | 1   | NUT, Hex Lock Esna Light 5/6-18     |      |
| 46   | 2108512  | 1   | PIVOT, 3/4 Hex & 3/8                |      |
| 47   | 1918447  | 1   | PIN, Cotter 3/4                     |      |
| 48   | 1723409A | 1   | BRACKET, Adjusting                  |      |
| 49   | 1666697  | 1   | SPACER                              |      |
| 50   | 1720704  | 1   | ROD & WASHER ASSEMBLY               |      |
| 51   | 1651820  | 1   | GRIP                                |      |
| 52   | 1917421  | 1   | NUT, Hex Jam 3/8-16                 |      |
| 53   | 1960601  | 1   | NUT, Hex Flange 3/8-16              |      |
| 54   | 2108241  | 1   | GUIDE ASSEMBLY, Rod                 |      |
| 55   | 1918265  | 1   | WASHER, 5/16                        |      |
| 56   | 1733065A | 1   | SHAFT ASSEMBLY, Rocker 40"          |      |
| 57   | 1727102A | 1   | HANGER, R.H.                        |      |
| 58   | 1727103A | 1   | HANGER, L.H.                        |      |
| 59   | 1960074  | 2   | CLIP, Hair Pin                      |      |
| 60   | 1920161  | 2   | NUT, Hex Jam 5/16-18                |      |
| 61   | 1708088A | 2   | CHAIN, Link                         |      |
| 62   | 1960033  | 3   | CLIP, Hair Pin                      |      |
| 63   | 1731382  | 2   | TRUNNION                            |      |
| 64   | 1731384  | 2   | ROD, Height Adjusting               |      |
| 65   | 1930645  | 1   | NUT, Hex Flange 3/8-16 Two-Way Lock |      |

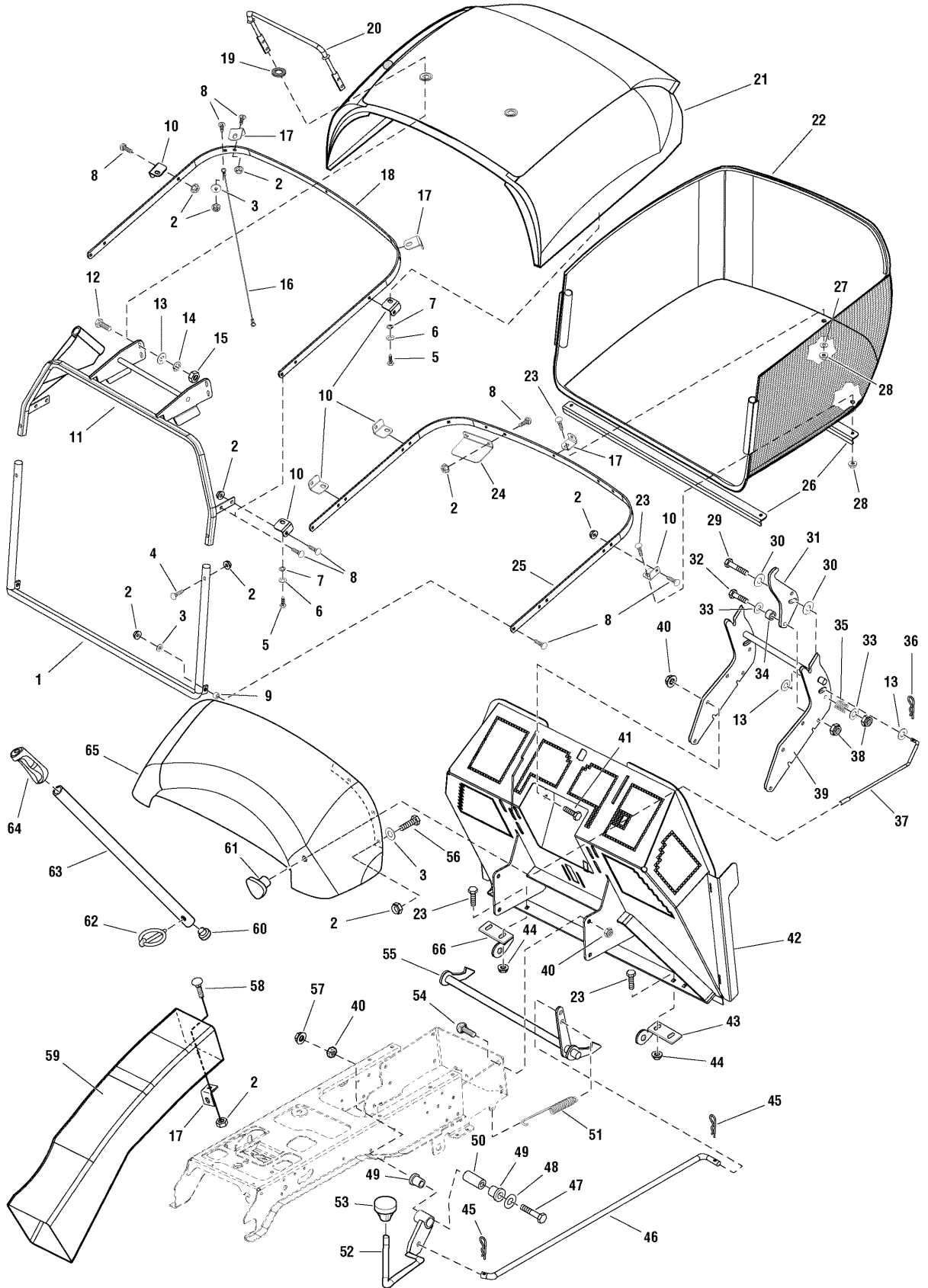
### Footnotes:



## Hopper Group

| Item | Part No  | Qty | Description                           | Note |
|------|----------|-----|---------------------------------------|------|
| 1    | 1727486A | 1   | ROD & TABS ASSEMBLY, Bagger Front     |      |
| 2    | 1960685  | 22  | NUT, Hex KEPS Conical Washer, 1/4-20  |      |
| 3    | 1960353  | 8   | WASHER, 1/4                           |      |
| 4    | 1931320  | 4   | CARRIAGE BOLT, 1/4-20 x 1-1/4         |      |
| 5    | 1921333  | 6   | CAPSCREW, Hex Head, 5/16-18 x 1 G5    |      |
| 6    | 1917356  | 6   | LOCKWASHER, Spring 5/16               |      |
| 7    | 1919326  | 6   | WASHER, 5/16                          |      |
| 8    | 1931317  | 15  | CARRIAGE BOLT, 1/4-20 x 3/4 G5        |      |
| 9    | 1715654  | 2   | SPACER                                |      |
| 10   | 1727674  | 6   | CLIP, L 12GA                          |      |
| 11   | 1727420A | 1   | FRAME ASSEMBLY, Hopper                |      |
| 12   | 1924009  | 4   | CAPSCREW, Hex Head, 1/4-20 x 7/8 G5   |      |
| 13   | 1921319  | 3   | WASHER, 1/4                           |      |
| 14   | 1916964  | 4   | LOCKWASHER, Spring 1/4                |      |
| 15   | 1916622  | 4   | NUT, Hex 1/4-20                       |      |
| 16   | 1727832  | 2   | CABLE, Bagger, 17.72 Long             |      |
| 17   | 1727676  | 4   | CLIP, L 12GA                          |      |
| 18   | 1727671A | 1   | BAR, Bagger Top 7GA                   |      |
| 19   | 1724684  | 2   | WASHER, 5/8                           |      |
| 20   | 1724399A | 1   | HANDLE, Hopper, 13.59 Long            |      |
| 21   | 1727931  | 1   | LID & SCREEN ASSEMBLY, Red            |      |
| 22   | 1727423  | 1   | BAG, Grass Black Cloth                |      |
| 23   | 1931334  | 9   | CARRIAGE BOLT, 5/16-18 x 7/8 G5       |      |
| 24   | 1727520A | 1   | PLATE, Tube Stop Bagger 14GA          |      |
| 25   | 1727670A | 1   | BAR, Bagger Bottom 7GA                |      |
| 26   | 1727675A | 2   | BRACE, Angle                          |      |
| 27   | 1960044  | 1   | WASHER, 5/16                          |      |
| 28   | 1960684  | 5   | NUT, Hex KEPS Conical Washer, 5/16-18 |      |
| 29   | 1921978  | 1   | CAPSCREW, Hex Head, 5/16-18 x 2 G5    |      |
| 30   | 1960044  | 2   | WASHER, 5/16                          |      |
| 31   | 1724651A | 1   | LATCH, Release 10GA                   |      |
| 32   | 1921333  | 1   | CAPSCREW, Hex Head, 5/16-18 x 1 G5    |      |
| 33   | 1919326  | 2   | WASHER, 5/16                          |      |
| 34   | 1666697  | 1   | SPACER, Powdered Metal                |      |
| 35   | 1714263  | 1   | SPRING, Compression                   |      |
| 36   | 1923360  | 1   | PIN, Cotter                           |      |

### Footnotes:

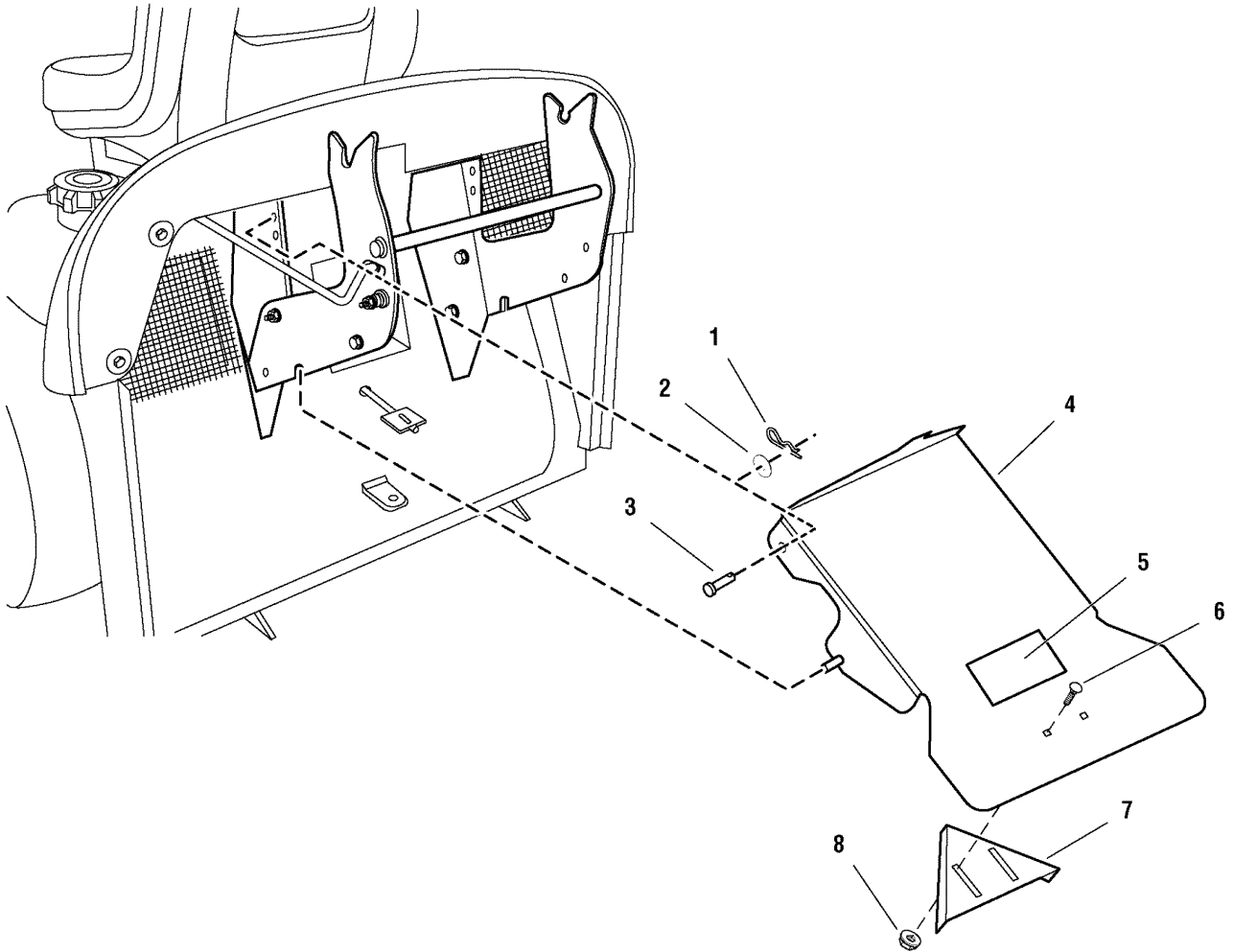


## Hopper Group

| Item | Part No  | Qty | Description   | Note |
|------|----------|-----|---|------|
| 37   | 1724652  | 1   | ROD, Foot Pedal Bagger Release, 11.66 Long, 2 Bends |      |
| 38   | 1919438  | 2   | NUT, Hex Lock ESNA Light, 5/16-18 NC-3B             |      |
| 39   | 1727580A | 1   | PIVOT ASSEMBLY, Latch                               |      |
| 40   | 1928352  | 5   | NUT, Hex Flange Whiz Lock, 3/8-16 Large             |      |
| 41   | 1921965  | 4   | CAPSCREW, Hex Head, 3/8-16 x 3/4 G5                 |      |
| 42   | 1727419A | 1   | BACKPLATE ASSEMBLY                                  |      |
| 43   | 1723182A | 1   | BRACKET, Latch LH, 7GA                              |      |
| 44   | 1931277  | 4   | NUT, Hex Flange Whiz Lock, 5/16-18 Small            |      |
| 45   | 1960074  | 2   | CLIP, Hair Pin, Spring Wire                         |      |
| 46   | 1724458  | 1   | ROD, 25.12 Long, 2 Bends                            |      |
| 47   | 1921973  | 1   | CAPSCREW, Hex Head, 3/8-16 x 2-3/4 G5               |      |
| 48   | 1924940  | 1   | WASHER, 3/8   |      |
| 49   | 1676148  | 2   | BUSHING, Powdered Metal                             |      |
| 50   | 1669105A | 1   | SPACER, 1-1/2 Long, Hardened                        |      |
| 51   | 1718016  | 1   | SPRING, Extension                                   |      |
| 52   | 1725036  | 1   | ROD & TUBE ASSEMBLY, Differential Lock Pedal        |      |
| 53   | 1719940  | 1   | KNOB, Hole 1/2, 1.37 Long                           |      |
| 54   | 1960268  | 4   | CARRIAGE BOLT, 3/8-16 x 1-1/4 G5                    |      |
| 55   | 1724540  | 1   | SHAFT & ARMS ASSEMBLY, Latch                        |      |
| 56   | 1960556  | 4   | SCREW, Pan Head Torx Taptite, 1/4-20 x 3/4          |      |
| 57   | 1930645  | 1   | NUT, Hex Flange Two Way Lock, 3/8-16 GA             |      |
| 58   | 1923341  | 1   | CAPSCREW, Hex Head, 1/4-20 x 3/4 G5                 |      |
| 59   | 1727429  | 1   | CHUTE, Discharge Black Poly                         |      |
| 60   | 1724553  | 1   | CAPLUG, Black Poly, 3/4 Hole                        |      |
| 61   | 1713855  | 1   | KNOB, Bagger Release                                |      |
| 62   | 1666969  | 1   | PIN, Klik 5/164                                     |      |
| 63   | 1727523A | 1   | HANDLE, Tube, 39.75 Long                            |      |
| 64   | 1723359  | 1   | GRIP, Hopper Lift Rod                               |      |
| 65   | 1727406  | 1   | TRANSITION, Hopper Black                            |      |
| 66   | 1723181A | 1   | BRACKET, Latch RH, 7GA                              |      |

### Footnotes:

# Deflector Group

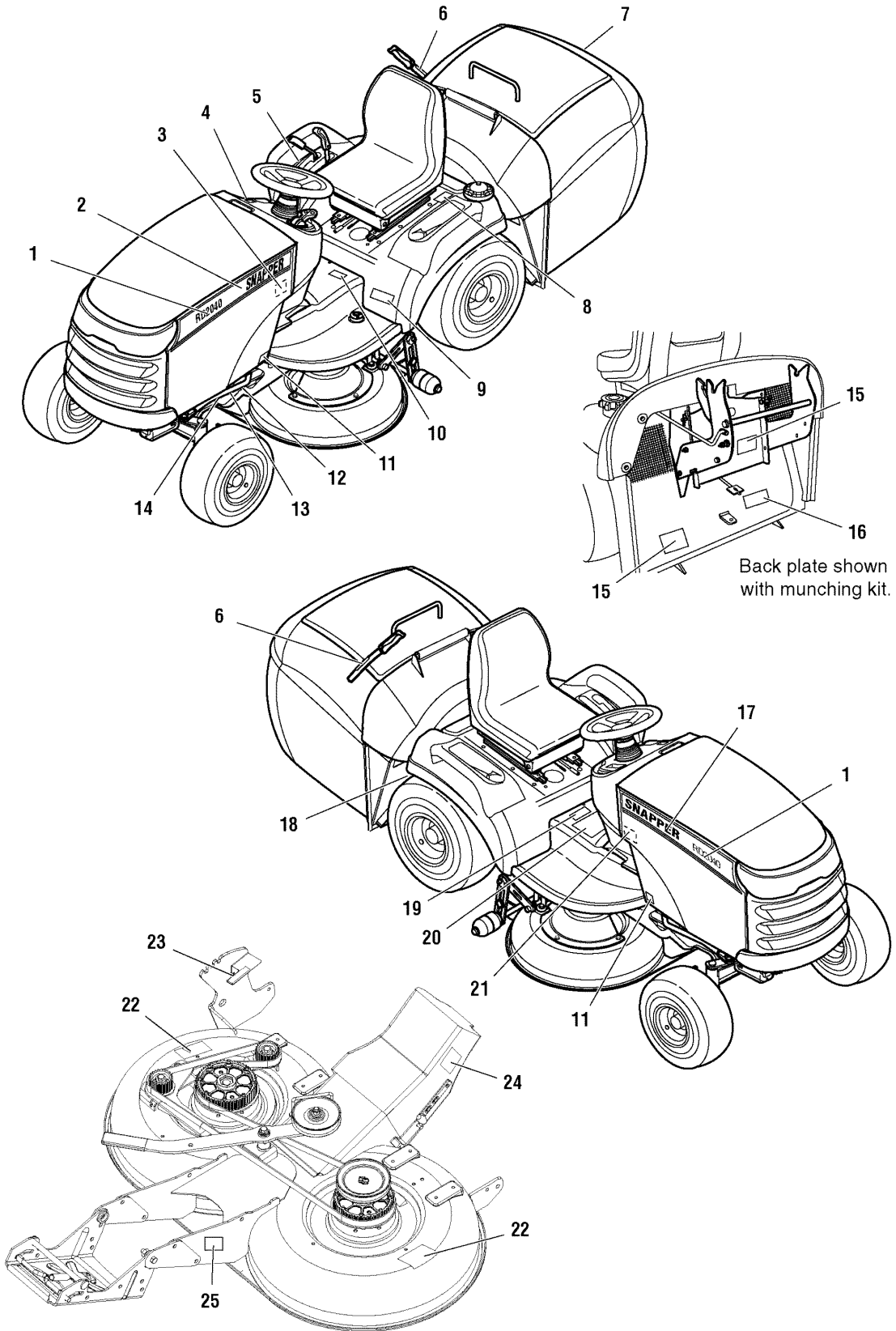


## **Deflector Group**

---

| <b>Item</b> | <b>Part No</b> | <b>Qty</b> | <b>Description</b>                      | <b>Note</b> |
|-------------|----------------|------------|---|-------------|
| 1           | 1960074        | 2          | CLIP, Hair Pin                          |             |
| 2           | 1919381        | 2          | WASHER, 5/16                            |             |
| 3           | 1723683        | 2          | PIN, Clevis                             |             |
| 4           | 1724935A       | 1          | DEFLECTOR & PINS ASSEMBLY               |             |
| 5           | 1720391        | 1          | DECAL, Danger Operating without Catcher |             |
| 6           | 1960252        | 2          | CARRIAGE BOLT, 1/4-20 x 5/8 G5          |             |
| 7           | 1724864A       | 1          | DEFLECTOR, 16GA                         |             |
| 8           | 1960685        | 2          | NUT, Hex KEPS Conical Washer, 1/4-20    |             |

**Footnotes:**



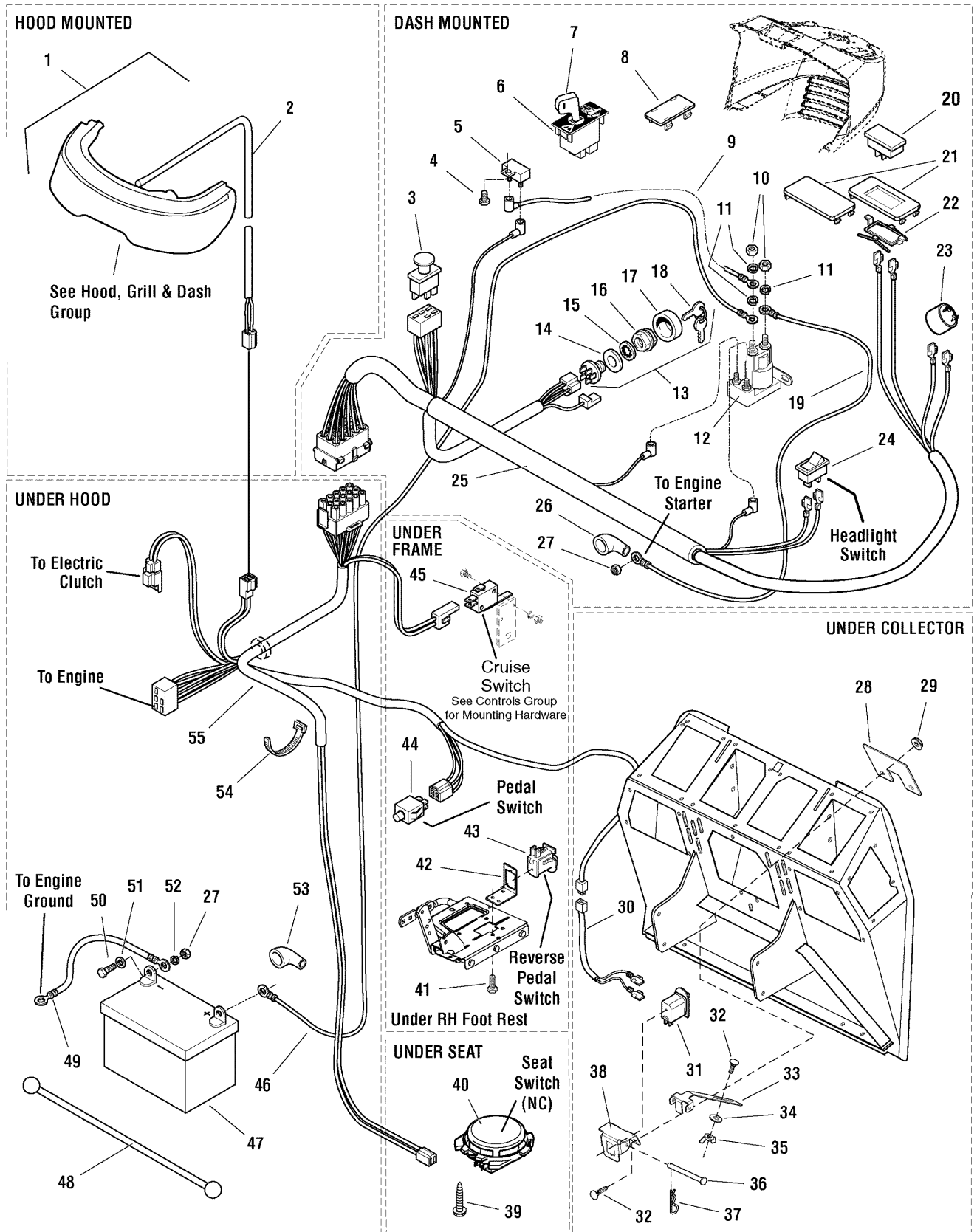


## Decals Group

| Item | Part No | Qty | Description                               | Note |
|------|---------|-----|---|------|
| 1    | 1725128 | 2   | DECAL, RD2140                             |      |
| 1    | 1725240 | 2   | DECAL, RD1840                             |      |
| 2    | 1725065 | 1   | DECAL, Hood Stripe, Snapper, LH           |      |
| 3    | 1727713 | 1   | DECAL, Belt & Blade                       |      |
| 4    | 1722806 | 1   | DECAL, Ignition Switch                    |      |
| 5    | 1723713 | 1   | DECAL, Crusie / Lift                      |      |
| 6    | 1723310 | 1   | DECAL, Hopper Lever                       |      |
| 7    | 1725061 | 1   | DECAL, Snapper                            |      |
| 8    | 1724680 | 1   | DECAL, Latch Release                      |      |
| 9    | 1727714 | 1   | DECAL, Baron XL                           |      |
| 10   | 1723317 | 1   | DECAL, Hopper Pedal                       |      |
| 11   | 1723296 | 2   | DECAL, Protective, Clear                  |      |
| 12   | --      | 1   | * DECAL, Patent                           |      |
| 13   | --      | 1   | * DECAL, Serial Number, Tractor           |      |
| 14   | --      | 2   | * DECAL, Decible Power Mass, Export Only  |      |
| 15   | 1720391 | 2   | DECAL, Danger Operating W/O Catcher       |      |
| 16   | 1721141 | 1   | DECAL, Drawbar Max Load                   |      |
| 17   | 1725066 | 1   | DECAL, Hood Stripe, Snapper, RH           |      |
| 18   | 1723425 | 1   | DECAL, Transmission Release Valve         |      |
| 19   | 1720390 | 1   | DECAL, Danger Catcher Open                |      |
| 20   | 1723175 | 1   | DECAL, Warning/Danger Icons, Tunnel       |      |
| 21   | 1725072 | 1   | DECAL, Touch Up Paint                     |      |
| 21   | 1720454 | 1   | DECAL, Touch Up Paint, Orange, Black, Red |      |
| 22   | 1720389 | 2   | DECAL, Danger Rotating Blade, Export Only |      |
| 23   | 1723470 | 1   | DECAL, Height Of Cut                      |      |
| 24   | 1721107 | 1   | DECAL, Danger, Discharge Tube             |      |
| 25   | --      | 1   | * DECAL, Serial Number, Mower Deck        |      |
| 26   | 1731419 | 1   | DECAL, Steering Wheel, Snapper            |      |
| 27   | 1732413 | 1   | DECAL, Belts and Blades                   |      |

### Footnotes:

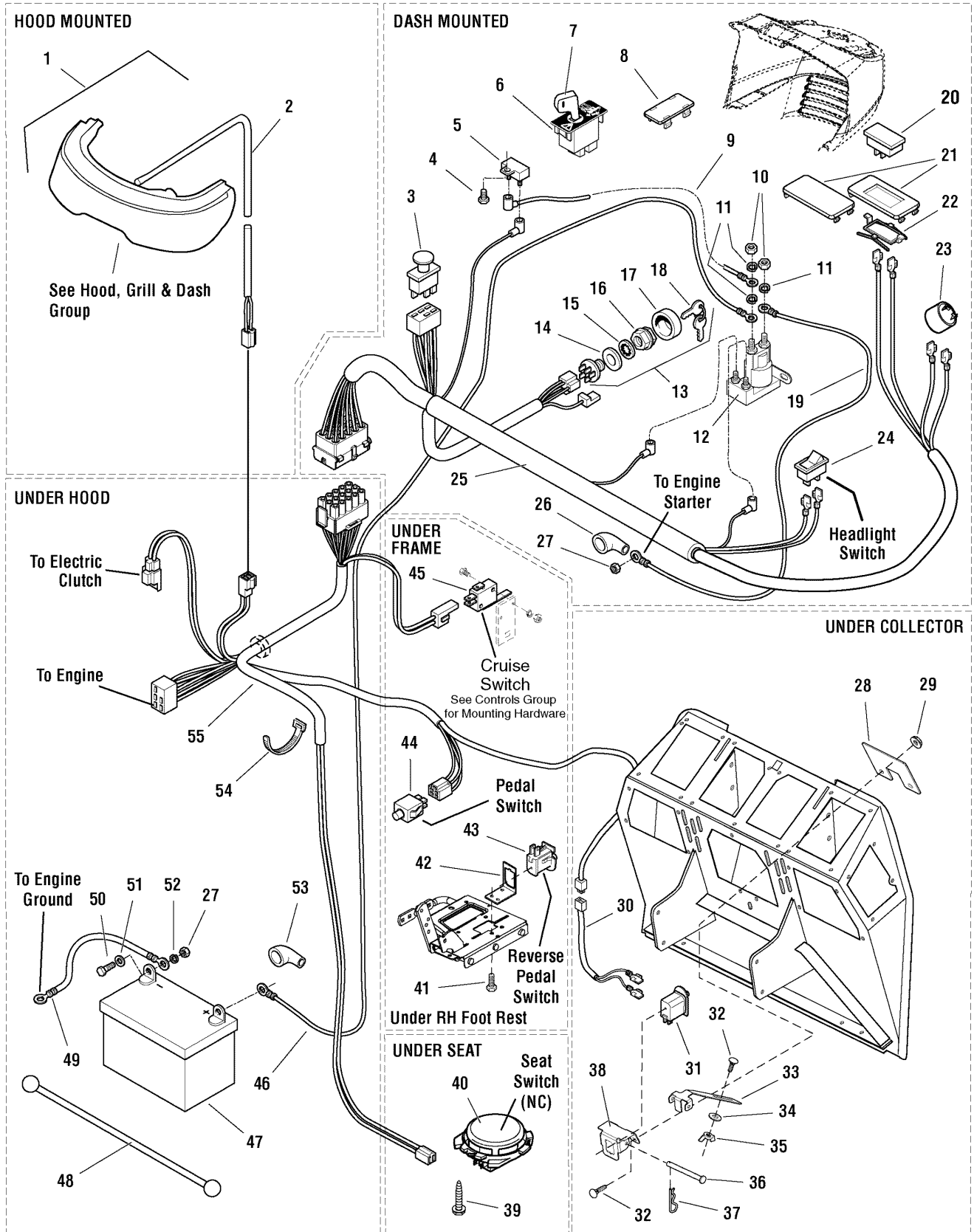
Note: \* Not a Service Part



## Electrical Group

| Item | Part No  | Qty | Description                                | Note                   |
|------|----------|-----|--|------------------------|
| 1    | 1721810  | 1   | HEADLIGHT ASSEMBLY, 4 Bulb                 |                        |
| 2    | 1722669  | 1   | HARNESS, Headlight                         |                        |
| 3    | 1722887  | 1   | SWITCH, PTO Push/Pull w/Symbols            |                        |
| 4    | 1921959  | 1   | CAPSCREW, Hex Head, 1/4 x 5/8              |                        |
| 5    | 1722739  | 1   | SOLENOID                                   |                        |
| 6    | 1726556  | 1   | MODULE, RMO                                | (Includes Ref. No. 7)  |
| 7    | 1726557  | 1   | KEY, RMO Module Plastic                    |                        |
| 7    | 1727185  | 1   | KEY, w/Hang Tag for RMO Module             |                        |
| 8    | 1722611  | 1   | PLUG, Hole Black                           |                        |
| 9    | 1665237  | 1   | WIRE, 12GA 8 Long Red                      |                        |
| 10   | 2920426  | 3   | LOCKWASHER, External Tooth 5/16            |                        |
| 11   | 1665238  | 1   | BREAKER, Circuit 12VOLT 20AMPS w/Tabs      |                        |
| 12   | 2916622  | 3   | NUT, Hex, 1/4-20 NC-2B                     |                        |
| 13   | 1716061  | 1   | SWITCH ASSEMBLY, Ignition, 6 Pin Indak     | (Includes Ref. Nos. 1) |
| 14   | 2101025  | 1   | WASHER, 5/8                                |                        |
| 15   | 1960547  | 1   | LOCKWASHER, Internal Tooth, 5/8            |                        |
| 16   | 1717549  | 1   | NUT, Hex Flange, 5/8-32 Ignition Switch    |                        |
| 17   | 1717550  | 1   | COVER, Ignition Switch, Black              |                        |
| 18   | 1717163  | 1   | KEYS, Ignition Set of 2                    |                        |
| 19   | 1721830  | 1   | CABLE, # 6 x 25 Long Red, 2 Ring Terminals |                        |
| 20   | 1725523  | 1   | METER, Hour Digital w/Oil & Lube Alarms    |                        |
| 21   | 1725524  | 1   | PLUG, Dash, Hour Meter                     |                        |
| 21   | 1725698  | 1   | PLUG, Dash, No Hour Meter Hole             |                        |
| 22   | 1725835  | 1   | CLIP, Hour Meter, Holds In Dash            |                        |
| 23   | 1720117  | 1   | BUZZER, Pulse, Grass Bag Full              |                        |
| 24   | 1716951  | 1   | SWITCH, Headlights, 2 Terminal             |                        |
| 25   | 1726890  | 1   | HARNESS, Wiring Upper                      |                        |
| 26   | 1677296  | 1   | BOOT, Insulator, Battery Terminal          |                        |
| 27   | 920263   | 2   | NUT, Hex, 5/16-24 NF-2B                    |                        |
| 28   | 1727776A | 1   | DEFLECTOR, Switch 14GA                     |                        |
| 29   | 1960685  | 2   | NUT, Hex KEPS Conical Washer, 1/4-20       |                        |
| 30   | 1723954  | 1   | HARNESS, Wiring Rear                       |                        |
| 31   | 1720411  | 1   | SWITCH, Push Button w/Boot, Bagger         |                        |
| 32   | 1960252  | 3   | CARRIAGE BOLT, 1/4-20 x 5/8 G5             |                        |
| 33   | 1727428  | 1   | PIVOT, Actuator 14GA, E-Coat               |                        |
| 34   | 1960103  | 1   | WASHER, 3/8                                |                        |
| 35   | 960293   | 1   | NUT, Wing Lock, 1/4-20                     |                        |

### Footnotes:



## Electrical Group

| Item | Part No  | Qty | Description                                  | Note |
|------|----------|-----|--|------|
| 36   | 1960607  | 1   | PIN, Clevis                                  |      |
| 37   | 1960221  | 1   | CLIP, Hair Pin                               |      |
| 38   | 1727427  | 1   | SUPPORT, Actuator 14GA, E-Coat               |      |
| 39   | 1960536  | 2   | SCREW, Hex Washer Head Plastite, 1/4 x 1/2   |      |
| 40   | 1716368  | 1   | SWITCH, Operator Presents, Seat              |      |
| 41   | 1929000  | 1   | SCREW, Hex Washer Head Taptite, 1/4-20 x 3/8 |      |
| 42   | 1726810A | 1   | BRACKET, Switch Mounting, RMO                |      |
| 43   | 1704379  | 2   | SWITCH, Push Button, Reverse Pedal           |      |
| 44   | 1723507  | 1   | SWITCH, Push Button, Foot Pedal              |      |
| 45   | 1717050  | 1   | SWITCH, Push Button, Cruise Control          |      |
| 46   | 1603618  | 1   | CABLE, # 6 x 9 Long, 2 Ring Terminals        |      |
| 47   | 1685215  | 1   | BATTERY, 12VOLT 6CELL 230AMPS CCA            |      |
| 48   | 1722009  | 1   | STRAP, Battery 14 Long, Black Rubber         |      |
| 49   | 1713163  | 1   | CABLE, # 6 x 26 Long Black, 2 Ring Terminals |      |
| 50   | 2923341  | 2   | CAPSCREW, Hex Head, 1/4-20 x 3/4 G5          |      |
| 51   | 2921319  | 2   | WASHER, 1/4                                  |      |
| 52   | 2916964  | 2   | LOCKWASHER, Spring 1/4                       |      |
| 53   | 1713535  | 1   | BOOT, Insulator Red, Cable Terminal          |      |
| 54   | 2925094  | 4   | TIE, Self Locking, 7-5/16                    |      |
| 55   | 1726889  | 1   | HARNESS, Wiring Lower                        |      |

### Footnotes:





*Parts Manual for*

***SNAPPER***<sup>®</sup>

***YARD TRACTOR ELECTRIC CLUTCH  
HYDRO DRIVE RMO & ACS "RD"  
LT300 SERIES***

IT IS THE POLICY OF BRIGGS & STRATTON CORP TO IMPROVE ITS  
PRODUCTS WHENEVER IT IS POSSIBLE AND PRACTICAL TO DO SO.  
WE RESERVE THE RIGHT TO MAKE CHANGES OR ADD  
IMPROVEMENTS AT ANY TIME WITHOUT INCURRING ANY  
OBLIGATION TO MAKE SUCH CHANGES ON PRODUCTS

**Briggs & Stratton Yard Power Products Group**

535 Macon Road  
McDonough, GA, 30253 U.S.A.  
800-935-2967

[www.snapper.com](http://www.snapper.com)

Copyright © 2008 Briggs & Stratton Corporation  
Milwaukee, WI USA. All Rights Reserved

**Manual No. 7006469**

**Revision A, 9/5/2008**

**TP 400-5273-A-TC-N**