



Parts Manual

Mfg. No: 2691808-00
500E, 18", SP, NEXUS

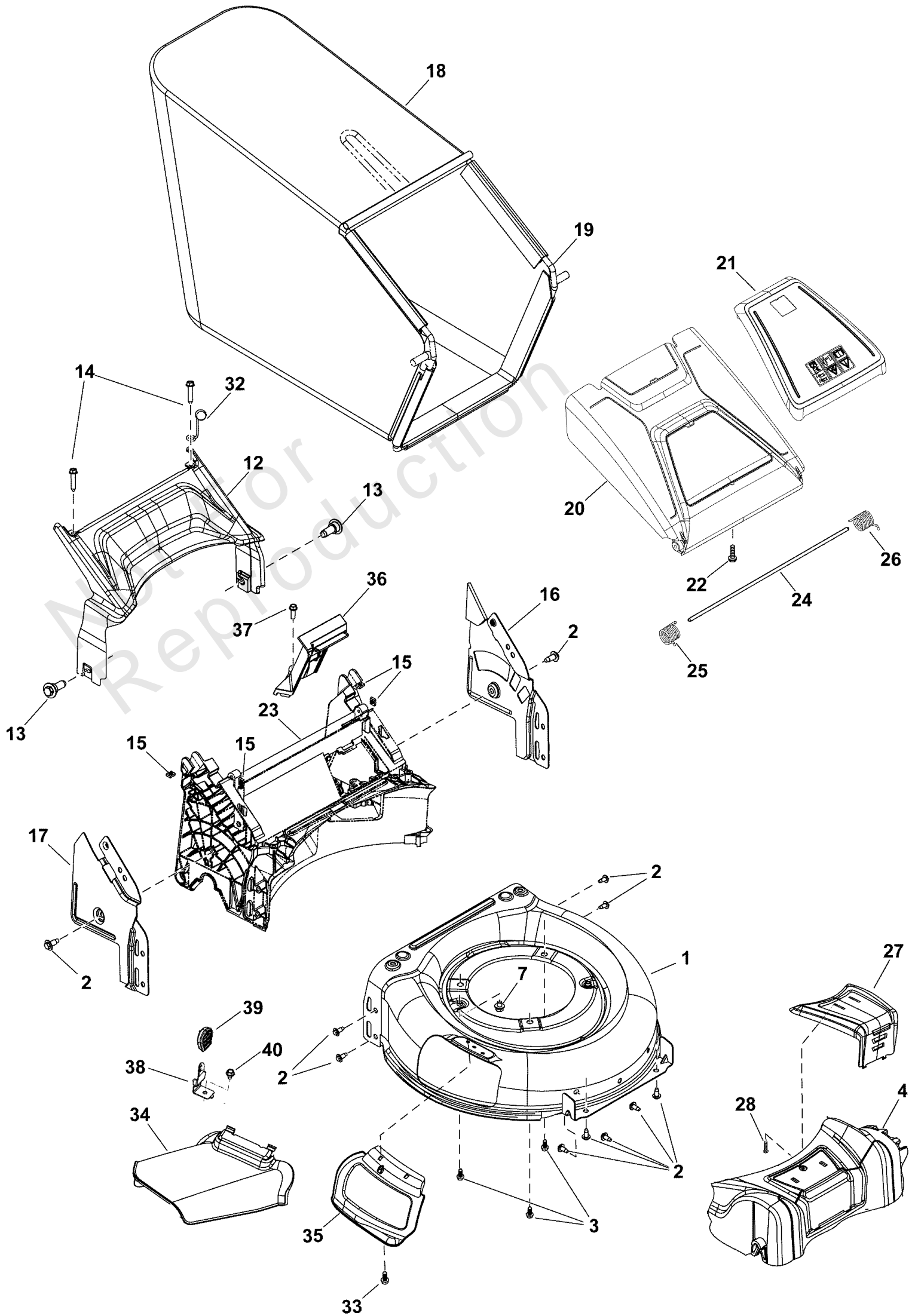
Model Components	Page
Deck Group.....	4
Drive Group.....	6
Engine & Blade Group_b.....	8
Handles Group.....	10
Torque Specification Chart.....	12

Not For
Reproduction

Deck Group

Note: Unless noted otherwise, use the standard torque specifications

Mfg. No: 2691808-00



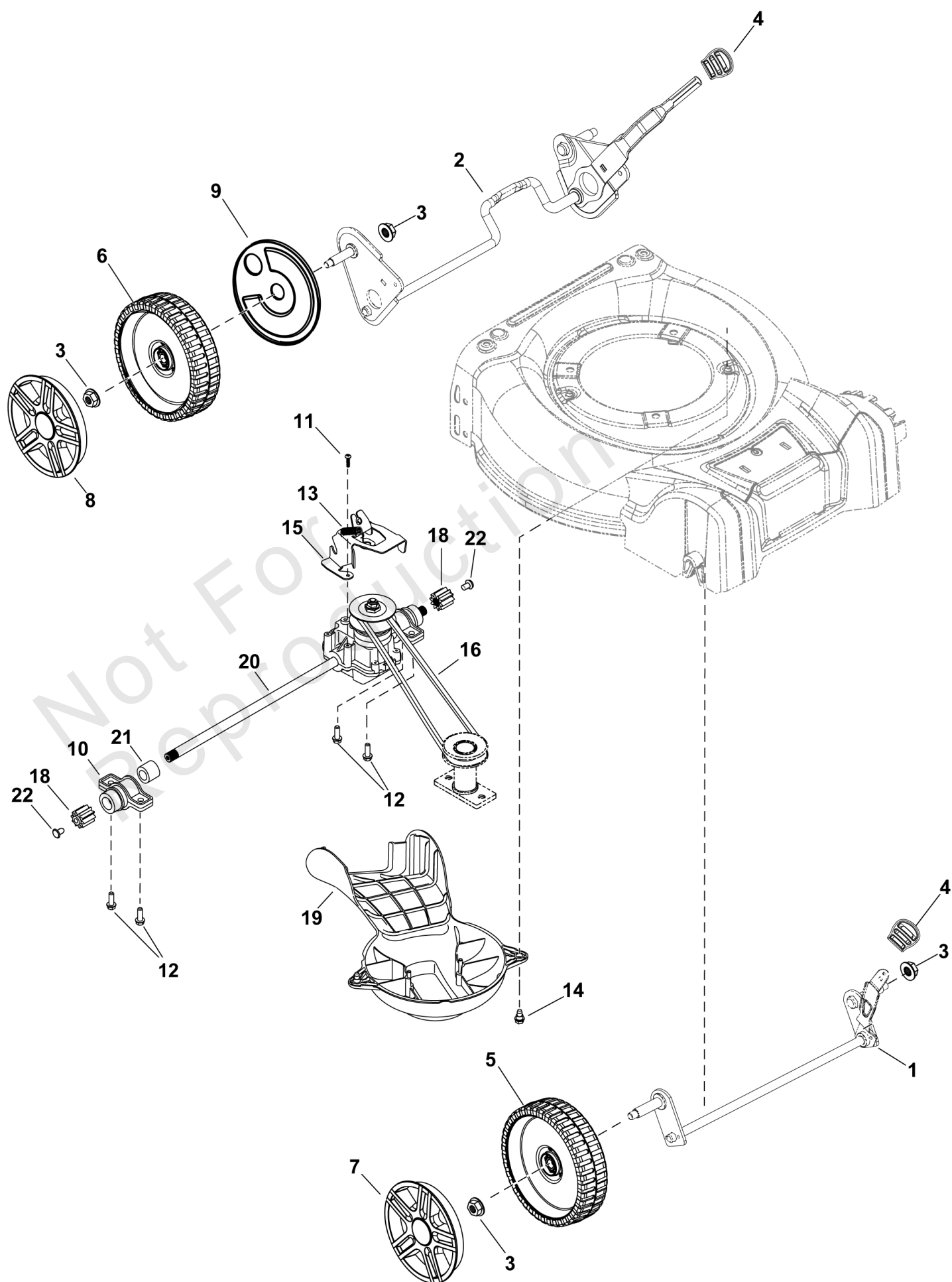
Deck Group

REF NO	PART NO	QTY	DESCRIPTION
1	-----	1	DECK, NSP
2	84006869	9	SCREW, 8mm
3	707904	3	SCREW, Engine Mounting, 3/8-16 x 1
4	704757	1	FRONT COVER, Deck
12	704756	1	COVER, Rear
13	703523	2	BOLT, Shoulder, 5/16-14 x .972
14	704789	2	SCREW, 1/4-15 x 1-1/4
15	84002598	4	LOCKNUT, Square
16	84002578	1	SUPPORT, Handle, LH -Replaces Older and Newer Part Versions
17	84002579	1	SUPPORT, Handle, RH -Replaces Older and Newer Part Versions
18	84006887	1	BAG
19	84002576	1	FRAME
20	704763	1	REAR FLAP
21	704747	1	COVER, Gray
22	704786	2	SCREW #10-16 x 3/4
23	704767		GUIDE, Rear
24	704717	1	ROD
25	704735	2	TORSION SPRING, RH
26	704734	2	TORSION SPRING, LH
27	84006484	1	INSERT, Front Cover
28	84002595	1	SCREW, 35 x 14
32	84002596	1	GUIDE, Cable
33	84002592	1	CAPSCREW, 1/4-20 X 1/2
34	704753	1	COVER, Side
35	84002577	1	MULCHING FLAP
36	704760	1	COVER, Rear
37	7091081SM	1	HWST, 1/4-15X3/4 BZ
38	84002594	1	LEVER, Adjustment
39	703490	1	KNOB, Adjustment Lever
40	84002593	1	CAPSCREW, 1/4-20 X 3/8

Drive Group

Note: Unless noted otherwise, use the standard torque specifications

Mfg. No: 2691808-00



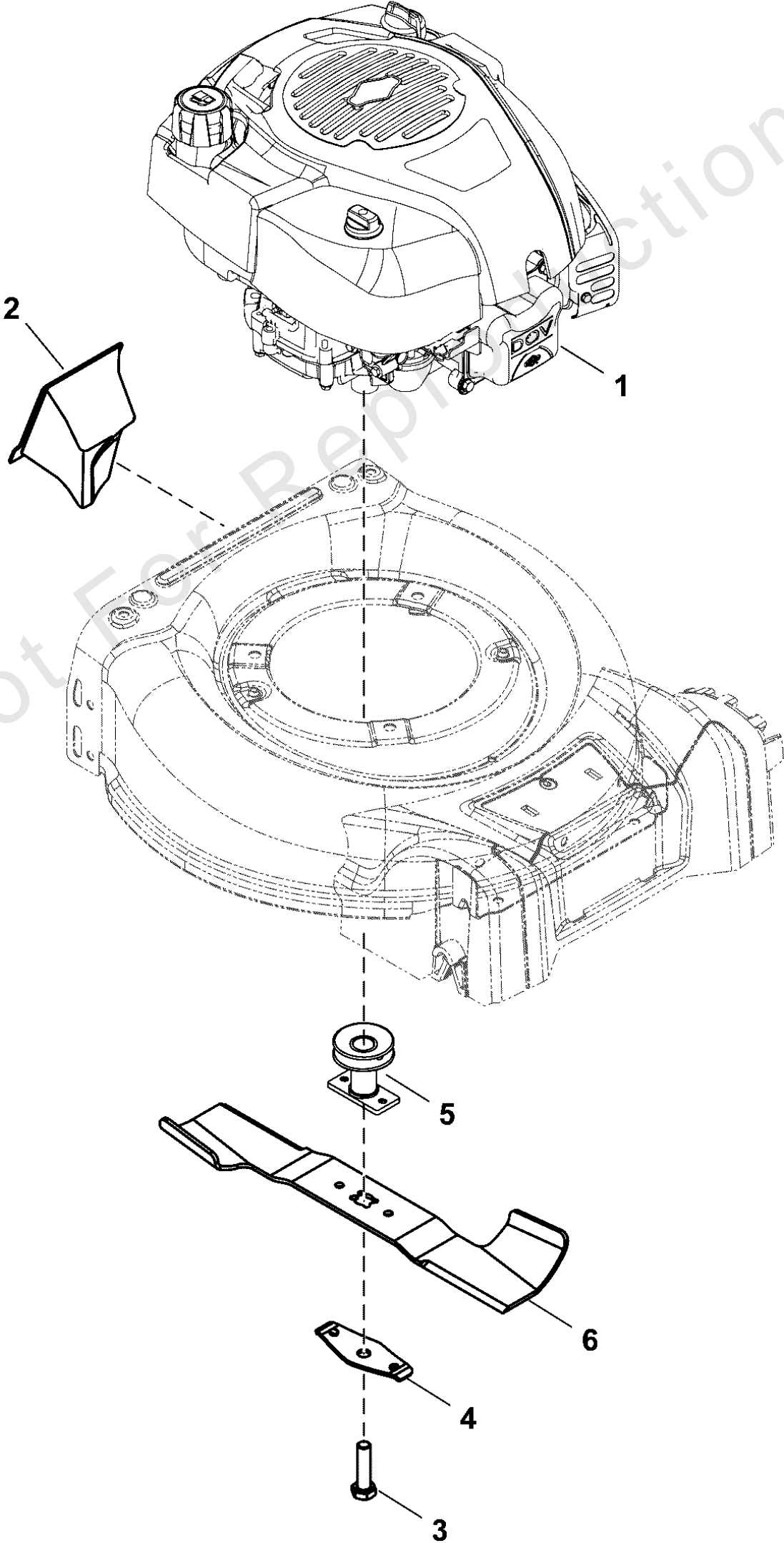
Drive Group

REF NO	PART NO	QTY	DESCRIPTION
1	704827	1	AXLE, FRONT
2	704822	1	AXLE, Rear
3	5025394SM	4	NUT, 3/8-16 HEX NYLOCK
4	703490	2	KNOB, Adjustment Lever
5	704732	2	WHEEL, 180 x 47
6	704806	2	WHEEL, Drive
7	840006888	2	HUB CAP, Front -(180mm)
8	840006889	2	HUB CAP -(200mm)
9	703505	2	DUST COVER, Wheel
10	703469	2	ASSEMBLY, Bearing
11	703479	2	SCREW, Hex Washer Head, .159 x .43
12	7900023SM	4	CAPSCREW, Hex Head Flange Taptite, 1/4-15 X 1-1/4
13	703516	1	SPRING, Extension, 2.405
14	303714	2	SCREW, Shoulder
15	704694	1	BRACKET
16	704701	1	BELT
18	84004933	2	GEAR, Spur (10T)
19	704813	1	COVER, Rear
20	84006885	1	TRANSMISSION -(New Version with a Flat on Shaft End, Requires Qty. 2 of Spur Gear with a Flat. Can Not be used with Old Spline Version Spur Gear.)
21	770699	1	SPACER
22	707631	2	GEAR SPACER

Engine & Blade Group_b

Note: Unless noted otherwise, use the standard torque specifications

Mfg. No: 2691808-00



Engine & Blade Group_b

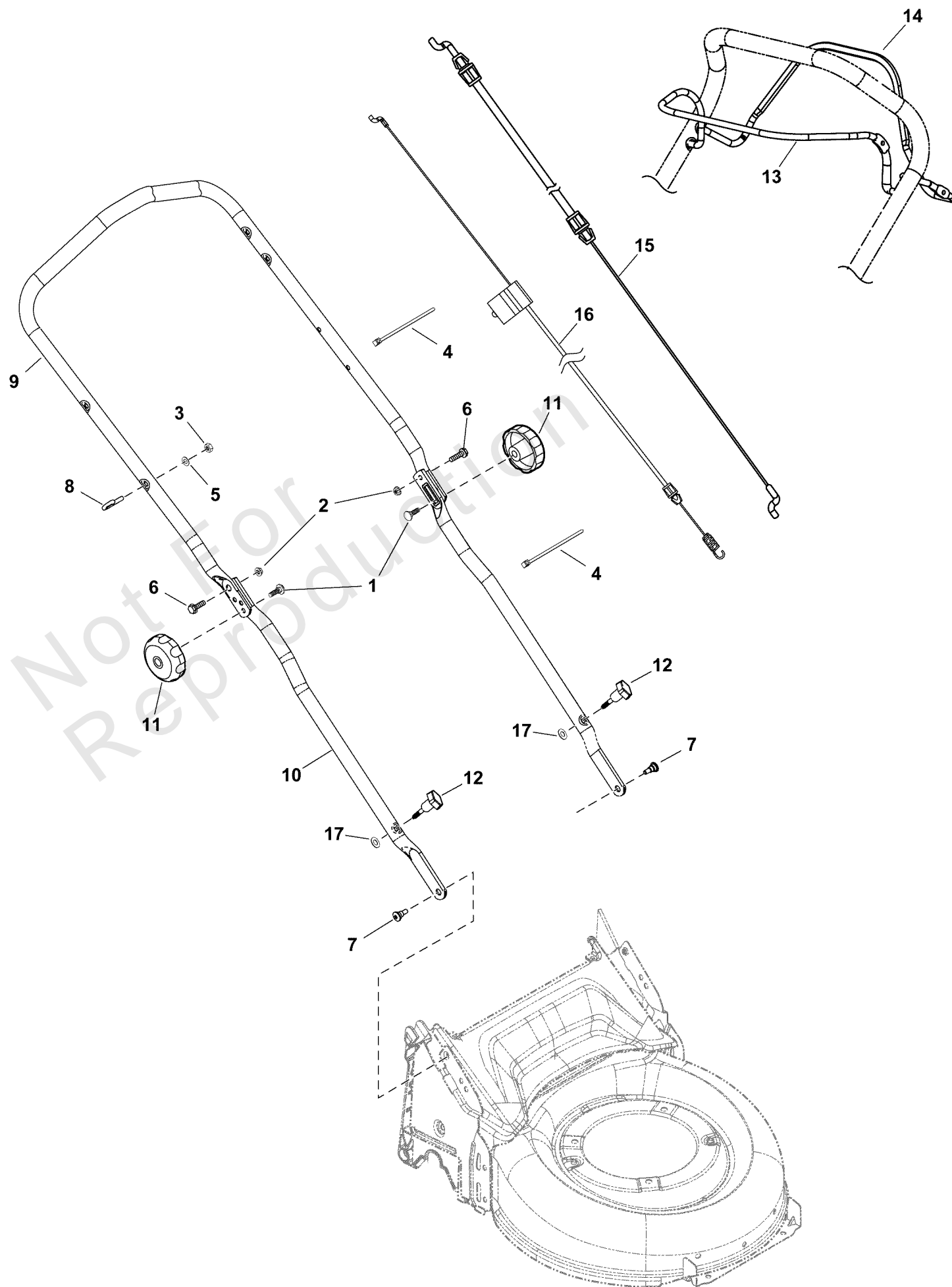
REF NO	PART NO	QTY	DESCRIPTION
1	-----	1	*ENGINE, Briggs & Stratton -(Engine Not Serviceable)
2	704764	1	MULCH PLUG
3	704785	1	SCREW Hex, 3/8-24 x 1-1/2
4	703520	1	SUPPORT, Blade Bell
5	84002597	1	BLADE ADAPTER
6	704726	1	BLADE

Not For Reproduction

Handles Group

Note: Unless noted otherwise, use the standard torque specifications

Mfg. No: 2691808-00



Handles Group

REF NO	PART NO	QTY	DESCRIPTION
1	703483	2	BOLT,5/16-18X1.000,RO
2	703463	2	NUT, GR5,1/4-20
3	67885GS	1	NUT, Nylock, M6
4	704774	2	CABLE CLIP
5	703781	1	WASHER, A6.4
6	703522	2	SCREW, 1/4-20
7	704729	2	BOLT, Shoulder
8	704695	1	BOLT, Eye
9	84006874	1	HANDLE, Upper -Replaces Older and Newer Part Versions
10	84006877	2	SUPPORT, Handle -Replaces Older and Newer Part Versions
11	721800	2	KNOB, Adjuster
12	84002581	2	WING KNOB
13	84002575	1	BAIL, Control, Red
14	704718	1	BAIL, Drive
15	704723	1	CABLE, Control
16	704720	1	CABLE, Drive
17	84002599	2	WASHER, 1/4 x 17/32

Hardware Identification & Torque Specifications

Torque Specification Chart								
FOR STANDARD METRIC MACHINE HARDWARE (Tolerance ± 20%)								
Property Class	5.6		8.8		10.9		12.9	
	Class 5.6		Class 8.8		Class 10.9		Class 12.9	
Size Of Hardware	in/lbs	Nm.	in/lbs	Nm.	in/lbs	Nm.	in/lbs	Nm.
	ft/lbs		ft/lbs		ft/lbs		ft/lbs	
M3	5.88	.56	13.44	1.28	19.2	1.80	22.92	2.15
M4	13.44	1.28	30.72	2.90	43.44	4.10	52.56	4.95
M5	26.4	2.50	60.96	5.75	5.97	8.10	7.15	9.7
M6	44.64	4.3	7.3	9.9	10.3	14	12.1	16.5
M7	5.2	7.1	12.1	16.5	16.9	23	19.9	27
M8	7.7	10.5	17.7	24	25	34	29	40
M10	15	21	35	48	50	67	59	81
M12	26	36	61	83	86.2	117	103	140
M14	42	58	101	132	136	185	162	220
M16	64	88	147	200	210	285	250	340
M18	89	121	202	275	287	390	346	470
M20	126	171	290	390	405	550	486	660
M22	169	230	390	530	559	745	656	890
M24	217	295	497	375	708	960	840	1140
M27	320	435	733	995	1032	1400	1239	1680
M30	435	590	995	1350	1401	1900	1681	2280
M33	590	800	1349	1830	1902	2580	2278	3090
M36	759	1030	1740	2360	2441	3310	2935	3980
M39	988	1340	2249	3050	3163	4290	3798	5150

Torque Specification Chart						
FOR STANDARD MACHINE HARDWARE (Tolerance ± 20%)						
Hardware Grade	No Marks		SAE Grade 5		SAE Grade 8	
	SAE Grade 2		SAE Grade 5		SAE Grade 8	
Size Of Hardware	in/lbs	Nm.	in/lbs	Nm.	in/lbs	Nm.
	ft/lbs		ft/lbs		ft/lbs	
8-32	19	2.1	30	3.4	41	4.6
8-36	20	2.3	31	3.5	43	4.9
10-24	27	3.1	43	4.9	60	6.8
10-32	31	3.5	49	5.5	68	7.7
1/4-20	66	7.6	8	10.9	12	16.3
1/4-28	76	8.6	10	13.6	14	19.0
5/16-18	11	15.0	17	23.1	25	34.0
5/16-24	12	16.3	19	25.8	29	34.0
3/8-16	20	27.2	30	40.8	45	61.2
3/8-24	23	31.3	35	47.6	50	68.0
7/16-14	30	40.8	50	68.0	70	95.2
7/16-20	35	47.6	55	74.8	80	108.8
1/2-13	50	68.0	75	102.0	110	149.6
1/2-20	55	74.8	90	122.4	120	163.2
9/16-12	65	88.4	110	149.6	150	204.0
9/16-18	75	102.0	120	163.2	170	231.2
5/8-11	90	122.4	150	204.0	220	299.2
5/8-18	100	136	180	244.8	240	326.4
3/4-10	160	217.6	260	353.6	386	525.0
3/4-16	180	244.8	300	408.0	420	571.2
7/8-9	140	190.4	400	544.0	600	816.0
7/8-14	155	210.8	440	598.4	660	897.6
1-8	220	299.2	580	788.8	900	1,244.0
1-12	240	326.4	640	870.4	1,000	1,360.0

The guides and ruler furnished below are designed to help you select the appropriate hardware.

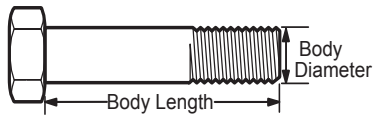


Nut, M8

Thread Diameter (mm)

Inside Diameter (in) Threads per inch

Nut, 1/2-16

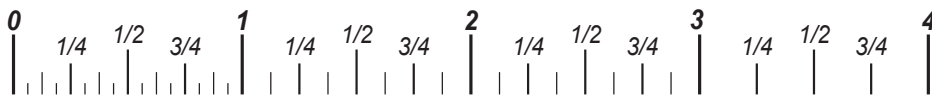


Screw, M8- 1.25 x 25

Thread Diameter (mm) Distance between threads (mm) Body Length (mm)

Body Diameter Threads per inch Body Length (in)

Screw, 1/2- 16 x 2



Standard Hardware Sizing

When a washer or nut is identified as 1/2" (M8), this is the *Nominal size*, meaning the *inside diameter* is 1/2 inch (8mm metric thread diameter); if a second number is present it represents the *threads per inch* (distance between threads).

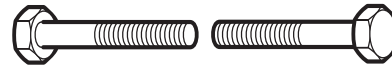
When bolt or capscrew is identified as 1/2 - 16 x 2" (M8 - 1.25 x 50), this means the *Nominal size*, or body diameter is 1/2 inch (8mm metric thread diameter), the second number, 16, represents the *threads per inch*, (*distance between threads*). The final number is the body length of the bolt or screw, 2 inches (50mm).

NOTES

- These torque values are to be used for all hardware excluding: locknuts, self-tapping screws, thread forming screws, sheet metal screws and socket head setscrews.
- Recommended seating torque values for locknuts:
 - for prevailing torque locknuts - use 65% of grade 5 torques.
 - for flange whizlock nuts and screws - use 135% of grade 5 torques.
- Unless otherwise noted on assembly drawings, all torque values must meet this specification.

Common Hardware Types

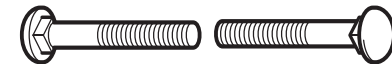
Hex Head Capscrew



Washer



Carriage Bolt



Hex Nut

Wrench & Fastener Size Guide

1/4" Bolt or Nut Wrench—7/16"	5/16" Bolt or Nut Wrench—1/2"	3/8" Bolt or Nut Wrench—9/16"	7/16" Bolt or Nut Wrench (Bolt)—5/8" Wrench (Nut)—11/16"	1/2" Bolt or Nut Wrench—3/4"
M6 Bolt or Nut Wrench—10mm	M8 Bolt or Nut Wrench—13mm	M10 Bolt or Nut Wrench—17mm	M12 Bolt or Nut Wrench—19mm	M14 Bolt or Nut Wrench—22mm

nexus[®]