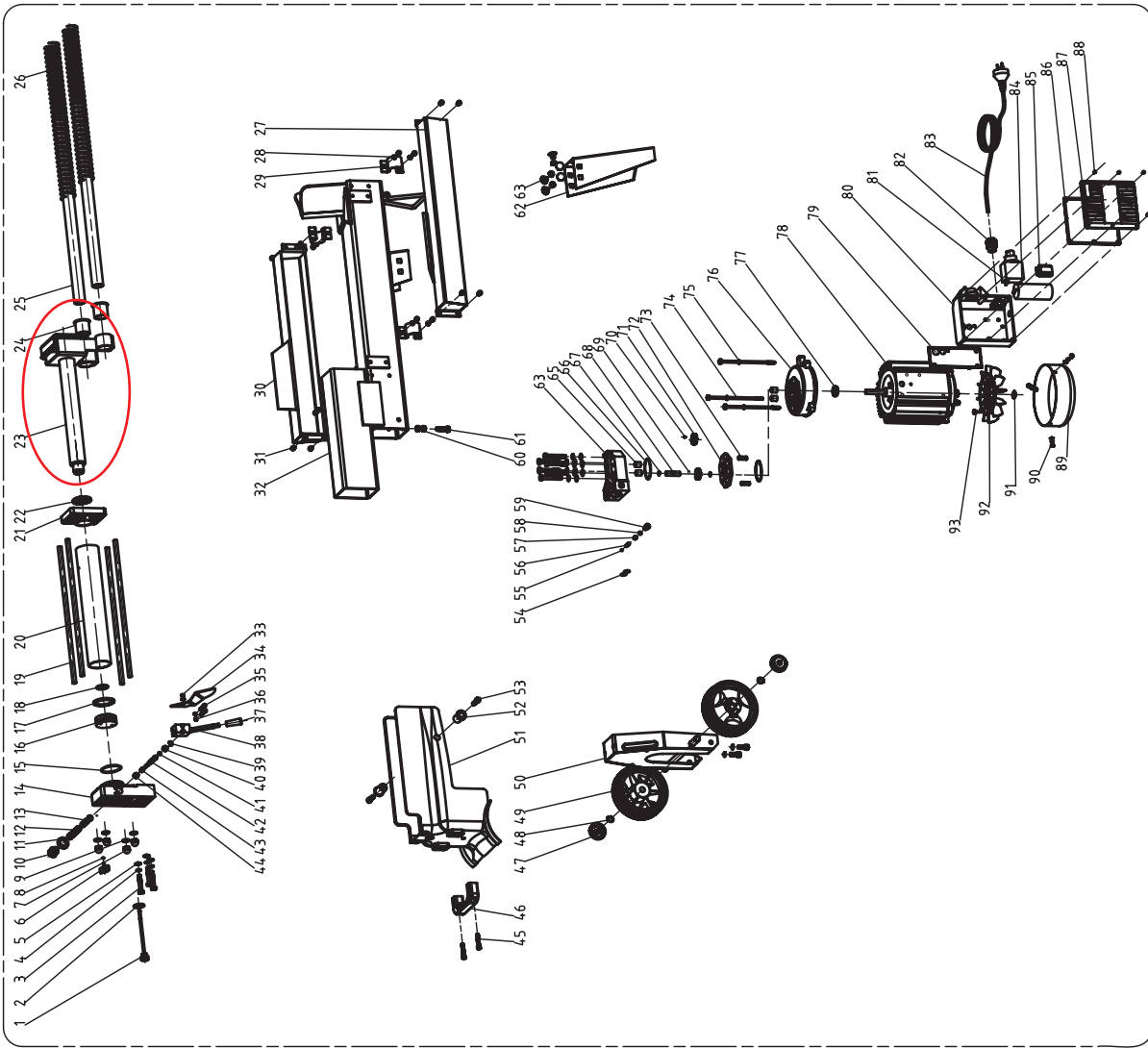


LOG SPLITTER 5T



Spare Parts' Price List for 5 Ton Log Splitter

Ser.No.	PART DESCRIPTION	Quantity
1	Hex. Screw	2
2	Lift Handle	1
3	Plastic Hood	1
4	Screw	4
5	Hydraulic Cylinder	1
6	Piston	1
7	Piston Ring	1
8	Rubber Seal	1
9	Stub Bolt	4
10	Aluminium Plug-Real	1
11	Plastic Gasket	1
12	Piston rod weldment	1
13	Pin	
14	Nylon sleeve	2
15	Sliding Pusher Weldmet	
16	Spring guard (L)	1
17	Spring Rod	2
18	Tube Frame	1
19	Retract Spring	2
20	Spring Hood Bracket	4
21	Screw ,M6*10	16
22	Spring washer,6	8
23	Spring guard (R)	1
24	Carriage Bolt	5
25	Nut,M8	7
26	Suppport	1
27	Bolt ,m8*30	1
28	Gear Pump	1
29	Sleeve Bearing	4
30	O-ring	2
31	Circlip	2
32	Pin ,B8*24	2
33	Steel Ball,2.5	1
34	Shaft	1
35	Gear	2
36	Gear Housing Plate	1
37	Bolt ,M5*185	3
38	Motor Cover-front	1
39	Washer	4
40	Spring washer,5	5
41	Gasket	1
42	Pin	1
43	Nut,M5	3
44	Motor Assy.	1
45	Bolt ,M8*55	9
46	Spring washer,8	11
47	Washer, 8	9
48	Spring	1
49	Steel Ball, 6	1
50	O-ring	2
51	Screw	1
52	O-ring	1
53	Screw	1
54	Screw	1
55	Lever Guard	1
56	Hex Screw	2
57	Control Level Assembly	1
58	Lever knob	1
59	Wheel Cap	2
60	Snap washer-shaft	1