

SRM-420TES/U

Serial Number

37002092-99999999

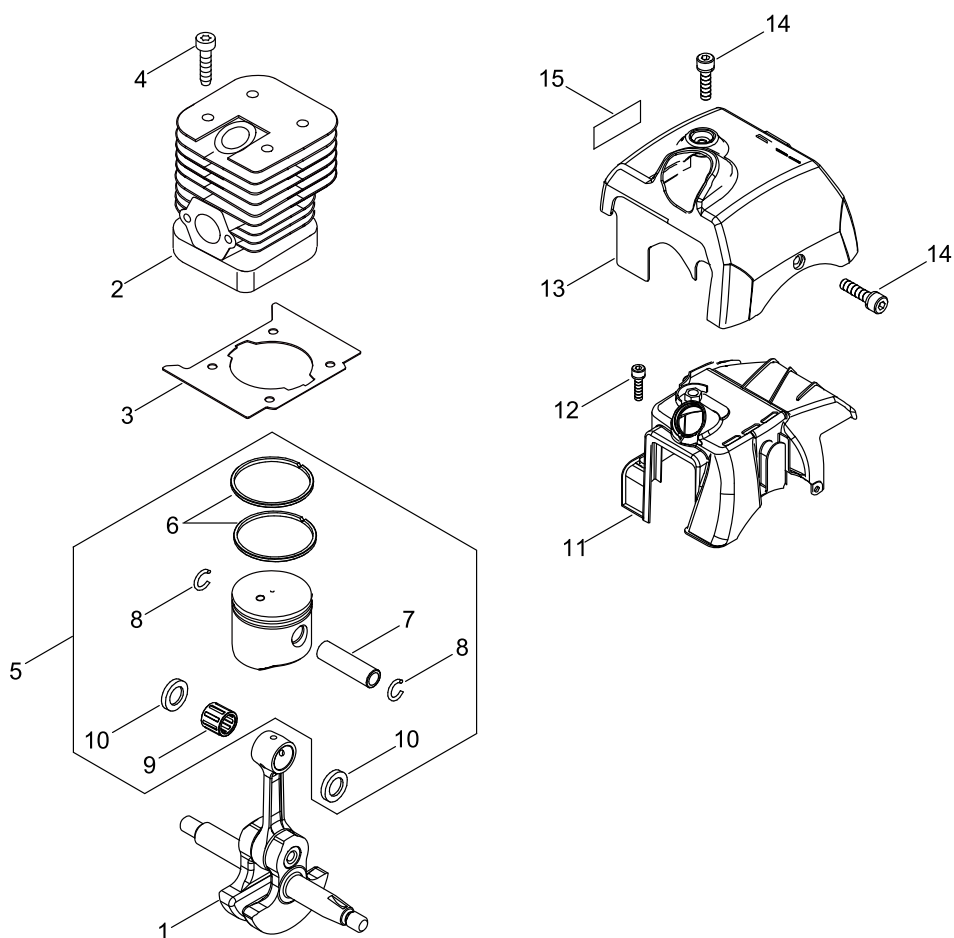
Last updated date

13/Jan/2023

TABLE OF CONTENTS

CYLINDER, PISTON, CRANKSHAFT	1
CRANKCASE	3
MAGNETO.....	5
CLUTCH.....	7
AIR CLEANER, CARBURETOR.....	9
CARBURETOR.....	11
FUEL TANK	13
MUFFLER.....	15
RECOIL STARTER.....	17
GEAR CASE, SHIELD	19
MAIN PIPE, HANDLE.....	21
THROTTLE.....	23
ACCESSORIES	25
NYLON LINE CUTTER	27

CYLINDER, PISTON, CRANKSHAFT



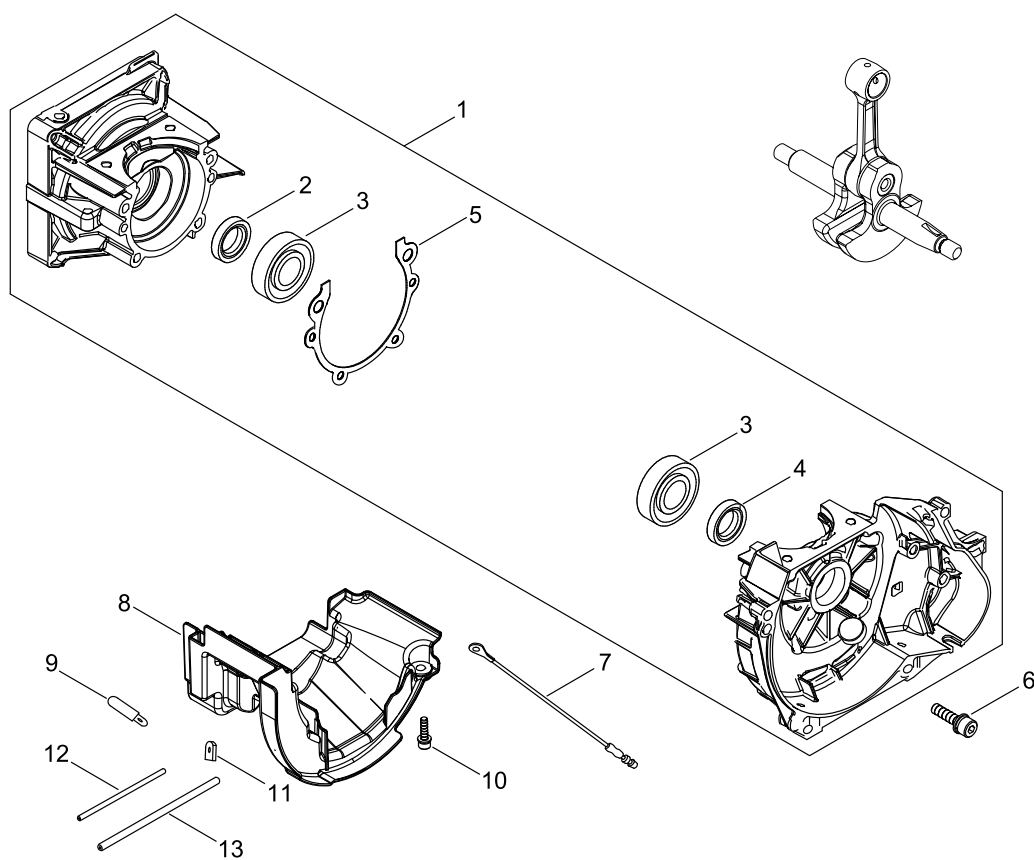
CYLINDER, PISTON, CRANKSHAFT

Key No.	LV (+)	Parts Number	Parts Description	Qty	Standard	Class
1		A011-001230	CRANKSHAFT,ASY	1		D
2		A130-002070	CYLINDER	1		D
3		V100-000760	GASKET,CYL	1		B
4		V805-000210	BOLT, TORX 5	4	TB-5*20 12.9	C
5		P021-041390	PISTON KIT	1		
6	+	A101-000160	RING, PISTON	2	40*B1.5*T1.8	B
7	+	V608-000000	PIN,ENG 10	1		D
8	+	V580-000010	RING,END	2	10	C
9	+	100012-19830	BEARING, NEEDLE	1		B
10	+	100014-17330	SPACER, PISTON PIN	2		C
11		A160-002620	COVER,CYLINDER	1		C
12		V835-000000	BOLT, TORX 5	1		C
13		A160-002631	COVER,CYLINDER	1		C
14		V835-000000	BOLT, TORX 5	2		C
15		X547-002380	LABEL,ECHO	1	ECHO+SRM-420TES	D

Class : Consumable class

A:Fast moving parts B:Semi-fast moving parts C:Slow moving parts D:Order only as needed

CRANKCASE



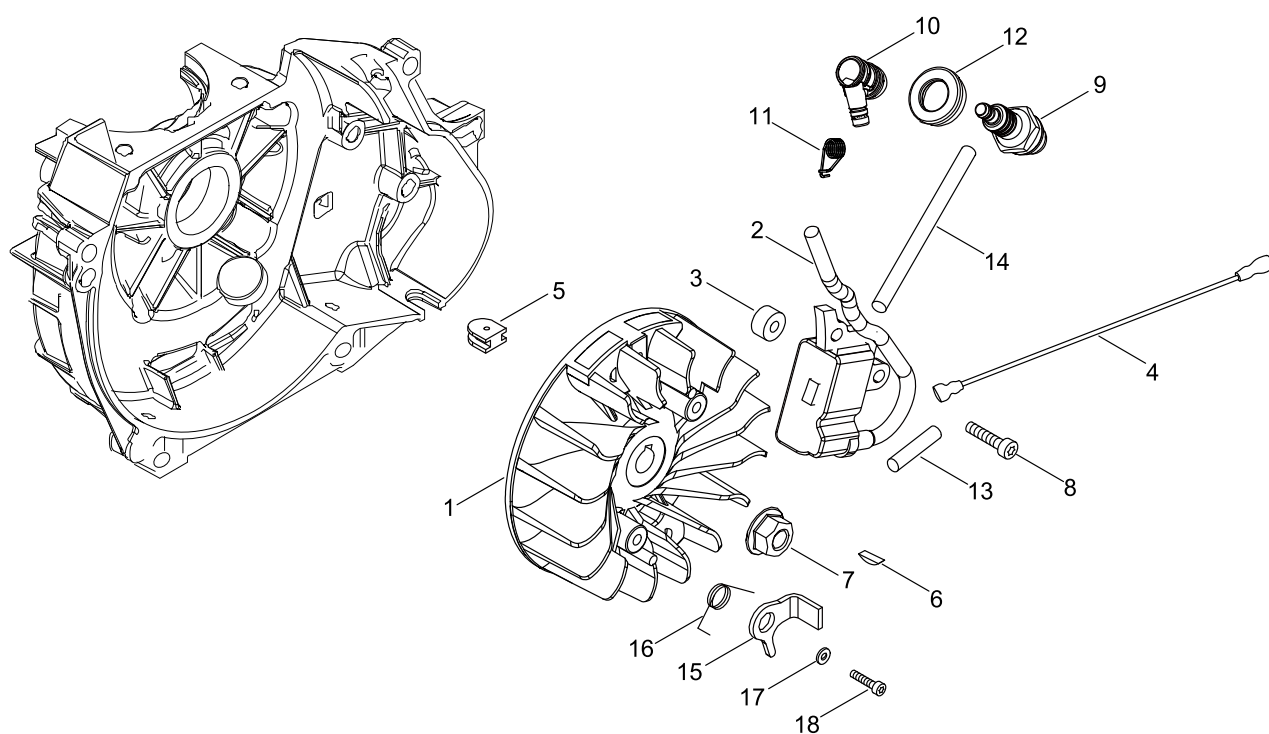
CRANKCASE

Key No.	LV (+)	Parts Number	Parts Description	Qty	Standard	Class
1		P021-041380	CRANKCASE SET	1		
2	+	V505-000020	SEAL,OIL 12	1	12*22*7	C
3	+	900888-36201	BEARING, BALL 6201	2	6201	
4	+	100213-05530	OILSEAL	1	ISCD 12 22 7	C
5	+	V102-000250	GASKET,CRANKCASE	1		B
6		V805-000290	BOLT, TORX 5	4	TB-5*35 12.9	C
7		V485-002570	LEAD	1		C
8		A209-000740	PLATE, INSULATOR	1		C
9		159116-21231	CLAMP	1		C
10		V835-000000	BOLT, TORX 5	2		C
11		156110-04920	BUSHING	1		C
12		V471-004040	PIPE	1	3*6*165	C
13		V475-007610	TUBE	1	8*9*111	C

Class : Consumable class

A:Fast moving parts B:Semi-fast moving parts C:Slow moving parts D:Order only as needed

MAGNETO



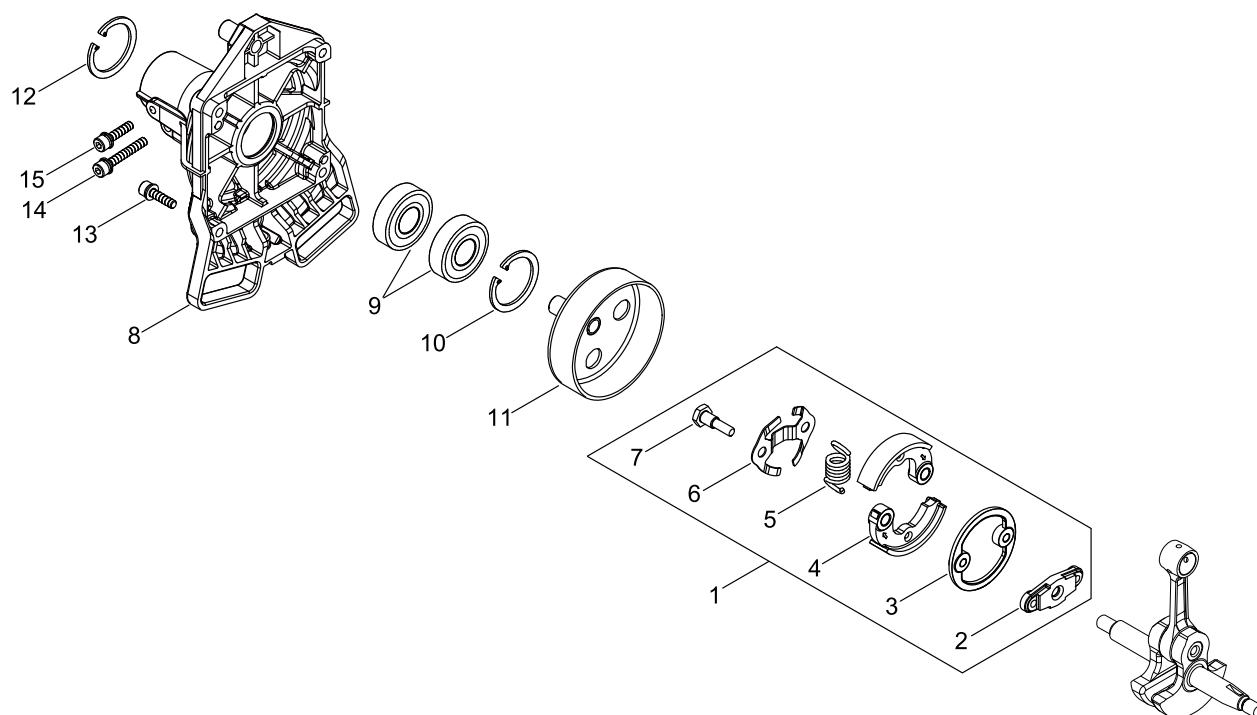
MAGNETO

Key No.	LV (+)	Parts Number	Parts Description	Qty	Standard	Class
1		A409-001210	ROTOR, MAGNETO	1		C
2		A411-001371	COIL, IGNITION	1		C
3		V353-000630	COLLAR,5	2		C
4		V485-002331	LEAD	1		C
5		156114-07320	GROMMET	1		C
6		100142-12330	KEY, WOODRUFF	1		C
7		92105-08000	NUT, FLANGE	1	M8*1.25 L	
8		V805-000150	BOLT, TORX 5	2	TB-5*16 10.9	C
9		A425-000000	SPARKPLUG	1	BPMR8Y	A
10		A427-000060	CAP,SPARK PLUG	1		C
11		A426-000010	TERMINAL,SPARKPLUG	1		C
12		A429-000090	COVER,CAP	1		C
13		V475-007540	TUBE	1		C
14		V475-007550	TUBE	1		C
15		A514-000280	PAWL	2		C
16		V452-001471	SPRING,TORSION	2		B
17		177247-04630	SPACER, RATCHET	2	5.2*8*2.1	C
18		V805-000140	BOLT, TORX 5	2	TB-5*12 10.9	C

Class : Consumable class

A:Fast moving parts B:Semi-fast moving parts C:Slow moving parts D:Order only as needed

CLUTCH



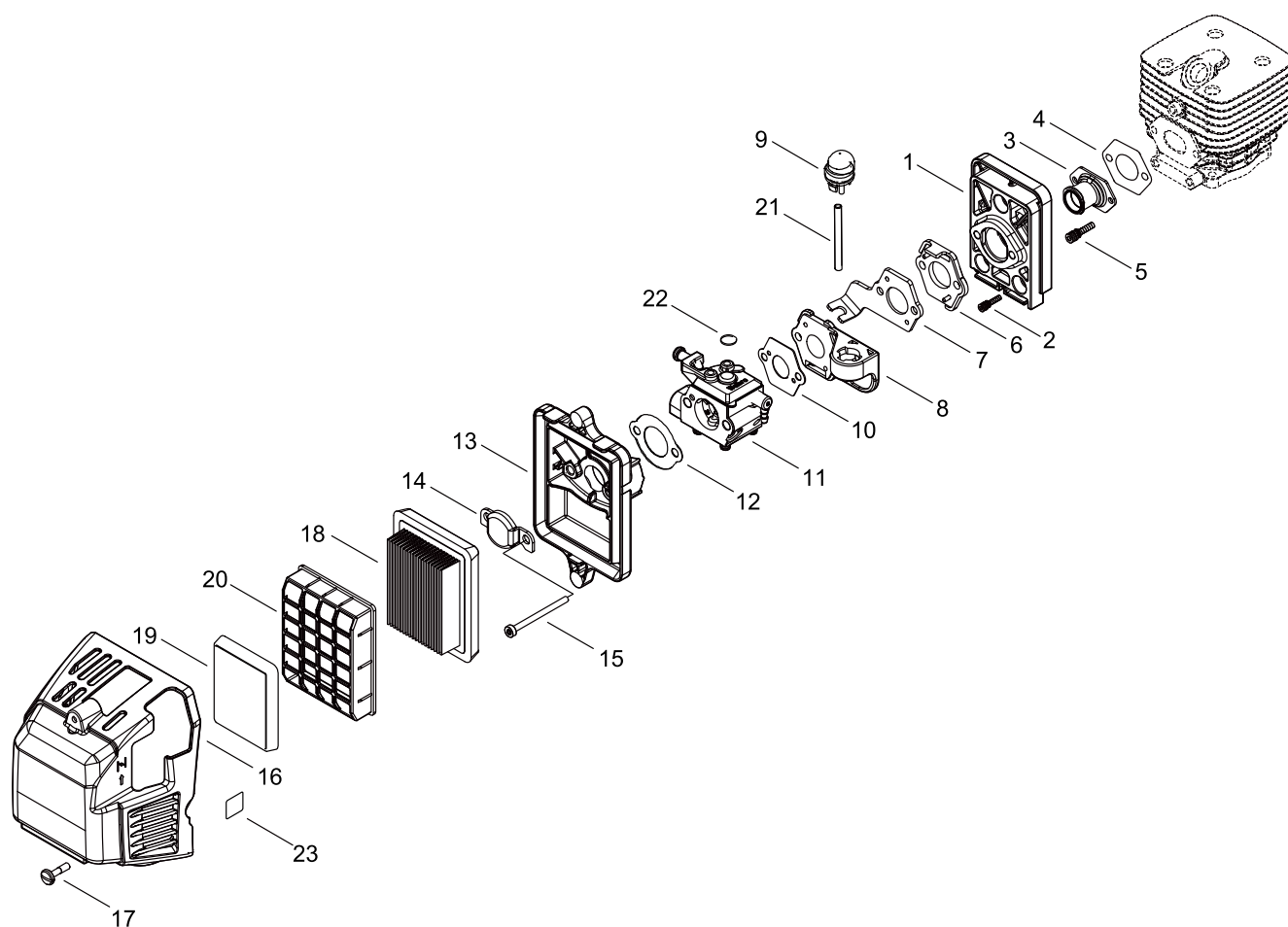
CLUTCH

Key No.	LV (+)	Parts Number	Parts Description	Qty	Standard	Class
1		P021-041140	CLUTCH ASY	1		
2	+	A552-000390	HUB, CLUTCH	1		B
3	+	V376-001980	SPACER	1		C
4	+	A553-000170	ARM, CLUTCH	2		B
5	+	A566-000230	SPRING, CLUTCH	1		B
6	+	V453-000230	SPRING,FLAT	1		C
7	+	A557-000190	SHAFT, CLUTCH	2		B
8		A570-000291	CASE,CLUTCH	1		D
9		94018-46001	BEARING, BALL	2		
10		900702-00028	CIRCLIP 28	1	CR-28	
11		A556-001540	DRUM, CLUTCH	1		B
12		900701-00012	CIRCLIP 12	1	CS-12	
13		V805-000170	BOLT, TORX 5	4	TB-5*25 10.9	C
14		V805-000160	BOLT, TORX 5	1	TB-5*20 10.9	C
15		V805-000130	BOLT, TORX 5	1	TB-5*10 10.9	C

Class : Consumable class

A:Fast moving parts B:Semi-fast moving parts C:Slow moving parts D:Order only as needed

AIR CLEANER, CARBURETOR



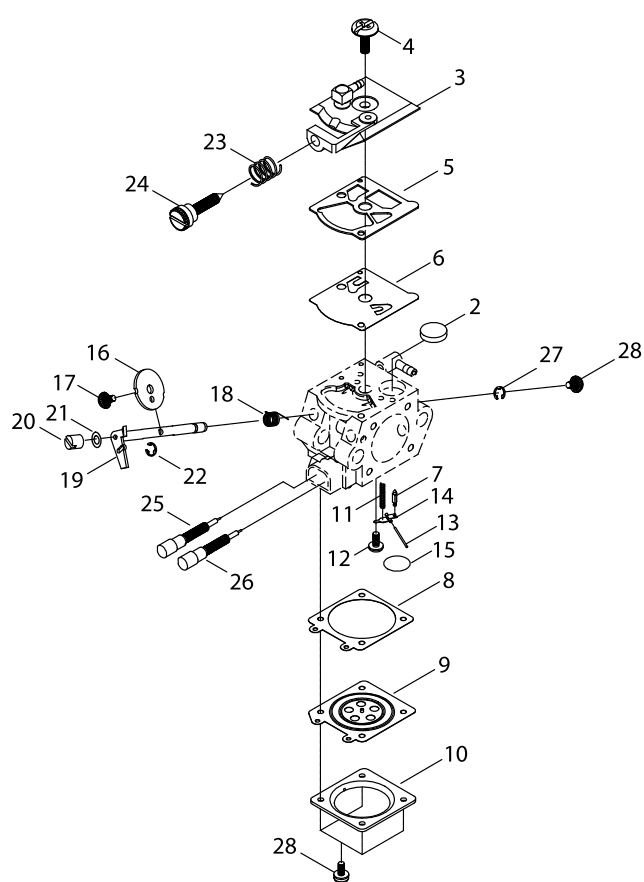
AIR CLEANER, CARBURETOR

Key No.	LV (+)	Parts Number	Parts Description	Qty	Standard	Class
1		A200-000990	INSULATOR, INTAKE	1		C
2		V835-000030	BOLT, TORX 5	3	TB-5*20 10.9	C
3		A202-000251	BELLOWS, INTAKE	1		C
4		V103-001620	GASKET,INTAKE	1		A
5		V835-000010	BOLT, TORX 5	2	TB-5*12 10.9	C
6		A209-000720	PLATE, INSULATOR	1		C
7		C487-000410	HOLDER, CABLE	1		C
8		A209-000730	PLATE, INSULATOR	1		C
9		123181-39130	PUMP, PRIMER	1		A
10		V103-001610	GASKET,INTAKE	1		A
11		A021-003840	CARBURETOR,DIAPHRAGM	1	WT-1046	B
12		V103-000471	GASKET,INTAKE	1	T0.5	A
13		P021-041410	CLEANER CASE ASY	1		
14		A244-000290	PLATE, PREVENT	1		C
15		V805-000100	BOLT, TORX 5	2	TB-5*65 10.9	C
16		A232-001620	LID,CLEANER	1		C
17		V253-000100	SCREW,5	2	5*20	C
18		A226-001730	ELEMENT,AIR FILTER	1		A
19		A226-001740	ELEMENT, AIR FILTER	1		A
20		A227-000040	PLATE, ELEMENT	1		C
21		V471-004050	PIPE	1	2.4*5*115	C
22		V490-000440	CLIP	1		C
23		X524-001901	LABEL	1		D

Class : Consumable class

A:Fast moving parts B:Semi-fast moving parts C:Slow moving parts D:Order only as needed

CARBURETOR



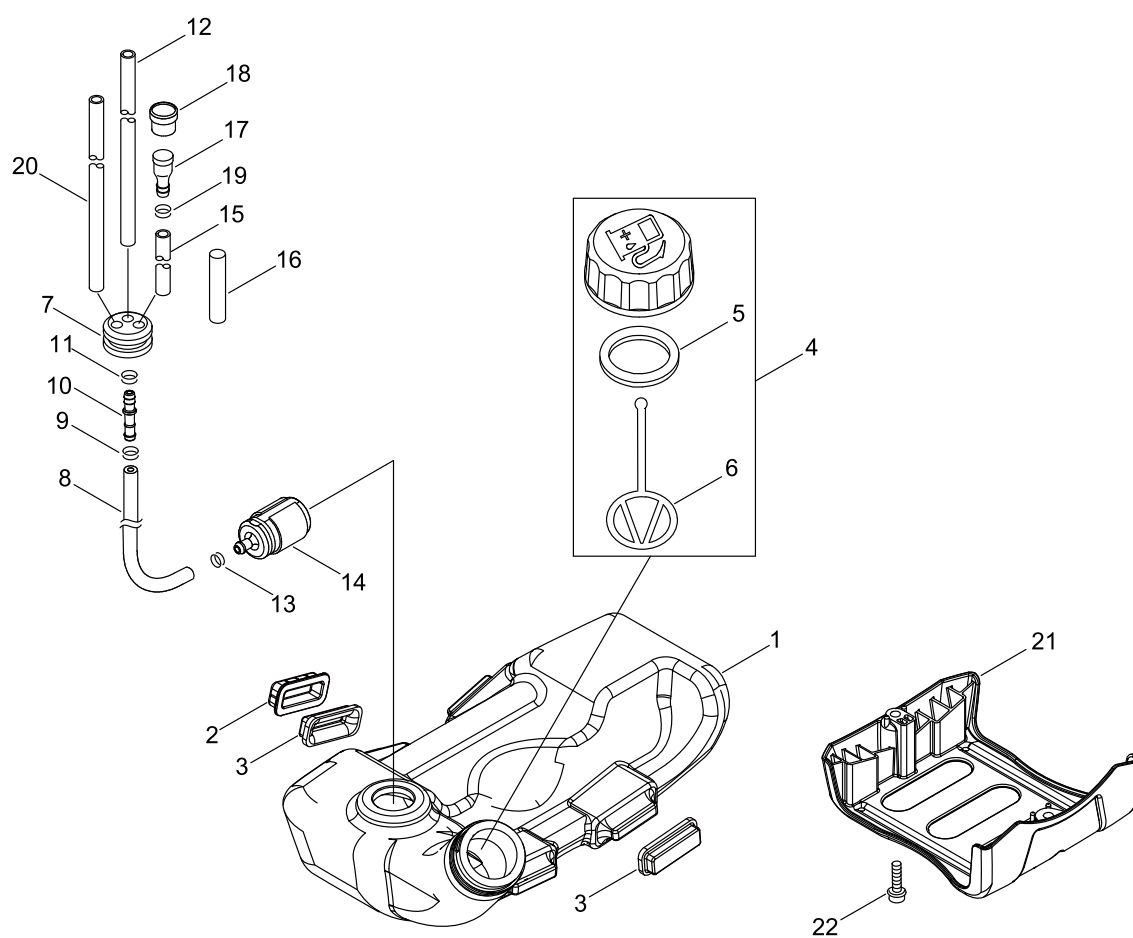
CARBURETOR

Key No.	LV (+)	Parts Number	Parts Description	Qty	Standard	Class
		A021-003840	CARBURETOR,DIAPHRAGM	1	WT-1046	B
2	+	123126-10631	SCREEN, INLET	1		B
3	+	P003-003930	COVER, FUEL PUMP	1		
4	+	123110-03930	SCREW, PUMP COVER	1		D
5	+	123125-15030	GASKET, FUEL PUMP	1		A
6	+	P003-006270	DIAPHRAGM, FUEL PUMP	1		
7	+	123137-19830	VALVE, INLET NEEDLE	1		D
8	+	123140-03930	GASKET, M. DIAPHRAGM	1		A
9	+	P003-001850	DIAPHRAGM, METERING	1		A
10	+	123142-03930	COVER, M. DIAPHRAGM	1		D
11	+	123122-03660	SPRING, METER. LEVER	1		D
12	+	123139-03930	SCREW, M. LEVER PIN	1		D
13	+	123138-03930	PIN, METERING LEVER	1		D
14	+	123123-03930	LEVER, METERING	1		D
15	+	123146-10631	PLUG, WELCH	1		C
16	+	123116-05960	VALVE, THROTTLE	1		D
17	+	P003-002380	SCREW	1		D
18	+	123113-47530	SPRING, THR. RTN.	1		B
19	+	P003-005020	SHAFT ASM THROTTLE	1		
20	+	123172-26030	SWIVEL	1		D
21	+	123149-54230	WASHER	1		C
22	+	123127-10630	RETAINING, SPRING	1		C
23	+	123133-04260	SPRING, IDLE ADJUST	1		D
24	+	123134-04260	SCREW, IDLE ADJUST	1		D
25	+	P003-004460	NEEDLE	1		D
26	+	P003-002270	NEEDLE	1		D
27	+	123127-03930	CLIP, THROTTLE SHAFT	1		C
28	+	123130-02960	SCREW	5		D

Class : Consumable class

A:Fast moving parts B:Semi-fast moving parts C:Slow moving parts D:Order only as needed

FUEL TANK



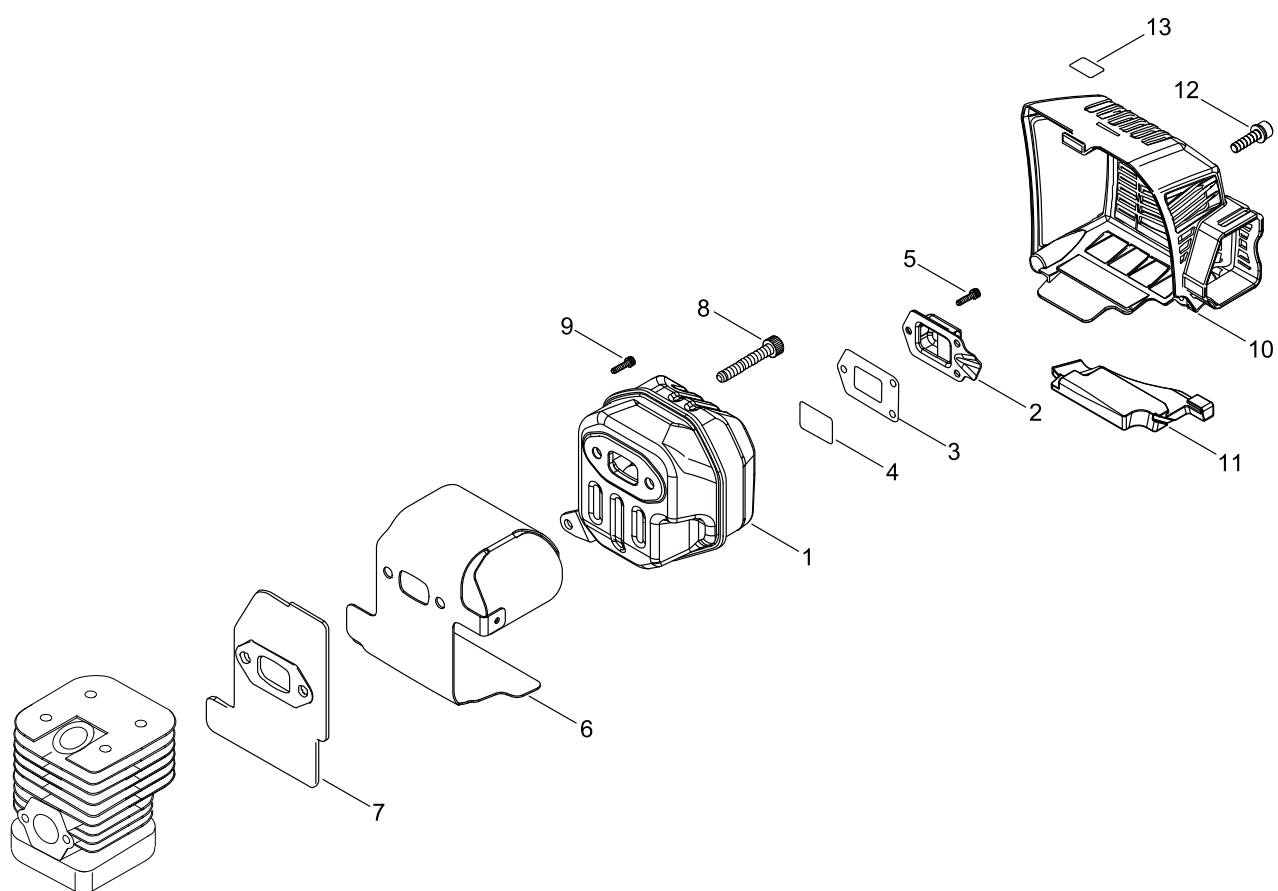
FUEL TANK

Key No.	LV (+)	Parts Number	Parts Description	Qty	Standard	Class
1		A350-002020	TANK, FUEL	1		C
2		V423-000090	HOLDER,CUSHION	2		C
3		131920-61830	CUSHION, FUEL TANK	4		B
4		P021-012210	CAP,FUEL ASY	1		C
5	+	131016-55830	GASKET, FUEL CAP	1		A
6	+	A365-000060	CONNECTOR,CAP	1	L=123	B
7		132115-55930	GROMMET, FUEL	1		C
8		V471-002310	PIPE	1	3*6*130	C
9		V490-001240	CLIP	1	6MM	C
10		V186-000510	JOINT,PIPE	1		C
11		130111-00530	CLIP	1	5.5	C
12		V470-000840	PIPE	1		C
13		V490-001240	CLIP	1	6MM	C
14		A369-000001	STRAINER, FUEL	1	125-528	A
15		130110-16430	PIPE, IMPULSE	1	3*6*140L	C
16		V475-007610	TUBE	1	8*9*111	C
17		131300-56431	VENT ASSEMBLY, FUEL	1		B
18		131328-40630	COVER, VENT	1		D
19		V490-001240	CLIP	1	6MM	C
20		V471-003950	PIPE	1		C
21		A175-000331	STAND	1		C
22		V835-000000	BOLT, TORX 5	2		C

Class : Consumable class

A:Fast moving parts B:Semi-fast moving parts C:Slow moving parts D:Order only as needed

MUFFLER



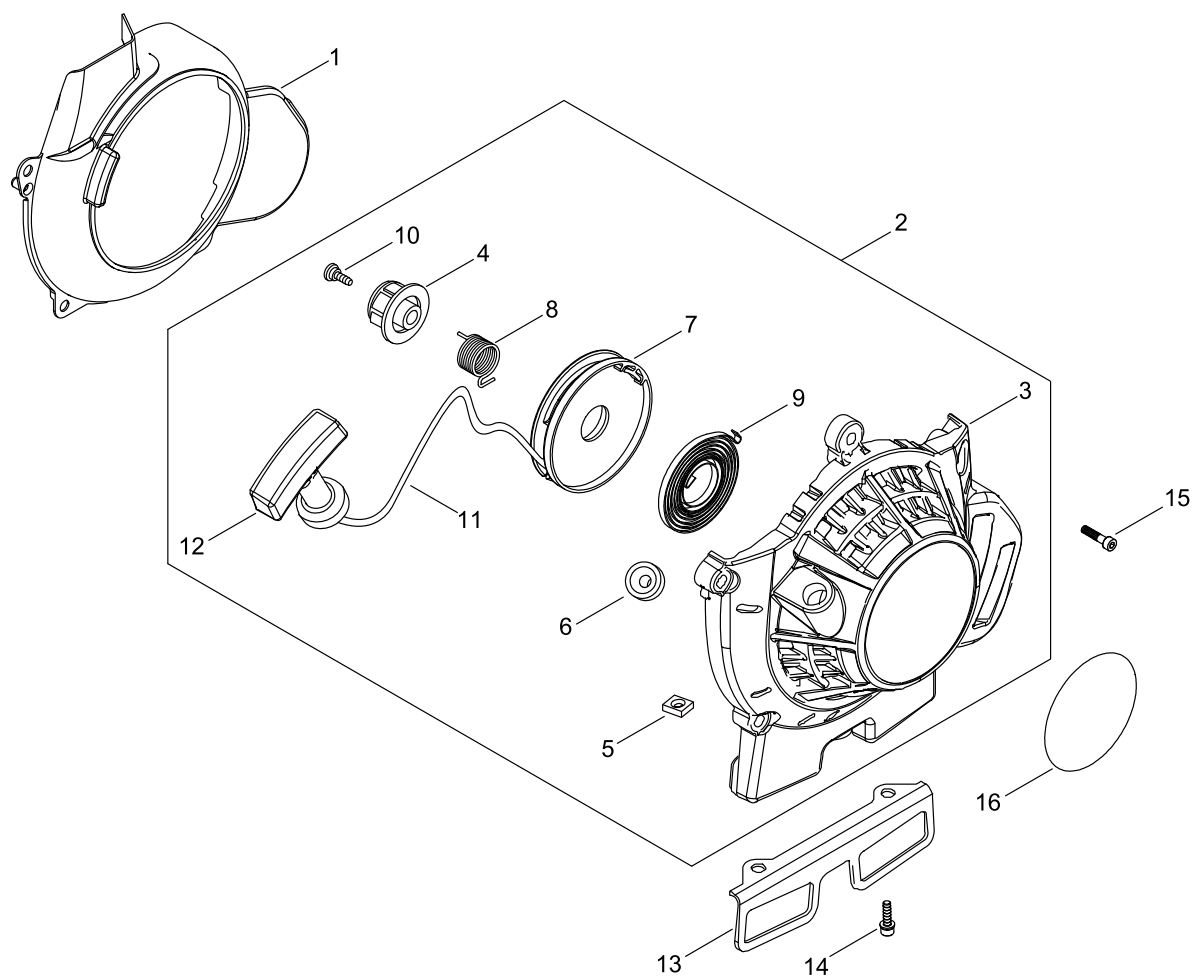
MUFFLER

Key No.	LV (+)	Parts Number	Parts Description	Qty	Standard	Class
1		A300-001700	MUFFLER, EXHAUST	1		C
2		A313-001910	GUIDE, EXHAUST	1		C
3		V104-002040	GASKET,EXHAUST	1		A
4		145862-40630	SCREEN, MUFFLER	1		B
5		V804-000030	BOLT, TORX 4	3	TB-4*8 10.9	C
6		V104-002020	GASKET,EXHAUST	1		A
7		V104-002030	GASKET,EXHAUST	1		A
8		V806-000050	BOLT, TORX 6	2	TB-6*20 12.9	C
9		V805-000250	BOLT, TORX 5	1	TB-5*16 12.9	C
10		A320-000970	COVER,MUFFLER	1	SRM-420ES	C
11		V541-000540	SEAL	1		C
12		V805-000260	BOLT, TORX 5	2	TB5*25 10.9	C
13		X505-002310	LABEL,CAUTION	1	HOT CAUTION	D

Class : Consumable class

A:Fast moving parts B:Semi-fast moving parts C:Slow moving parts D:Order only as needed

RECOIL STARTER



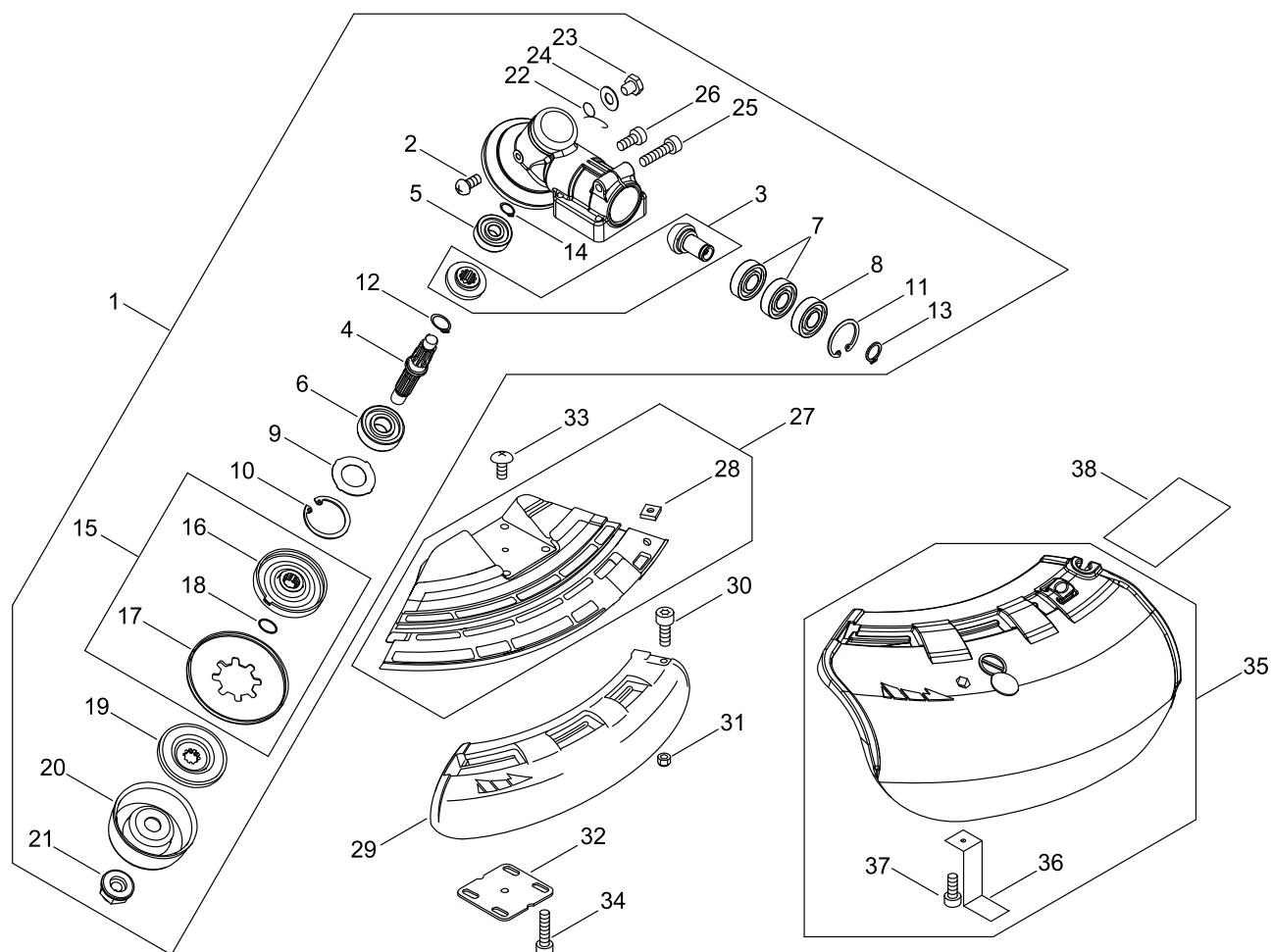
RECOIL STARTER

Key No.	LV (+)	Parts Number	Parts Description	Qty	Standard	Class
1		A172-002240	COVER,FAN	1		C
2		A051-002630	STARTER,RECOIL ASY	1		B
3	+	P022-037550	STARTER CASE	1		
4	+	A507-000140	CATCHER, PAWL	1		C
5	+	900565-00005	NUT	1	5	
6	+	177227-42030	GUIDE, ROPE	1		C
7	+	P022-023140	DRUM, STARTER	1		
8	+	P022-023120	SPRING,DAMPER	1		
9	+	P022-004680	SPRING, SPIRAL	1		B
10	+	P022-023110	SCREW	1		
11	+	P022-023100	ROPE, STARTER	1		
12	+	177228-27030	GRIP, STARTER	1		C
13		A393-000300	BRACKET,FUEL TANK	1	T1.5	C
14		V805-000150	BOLT, TORX 5	2	TB-5*16 10.9	C
15		V835-000030	BOLT, TORX 5	4	TB-5*20 10.9	C
16		X502-000900	LABEL,ECHO	1		D

Class : Consumable class

A:Fast moving parts B:Semi-fast moving parts C:Slow moving parts D:Order only as needed

GEAR CASE, SHIELD



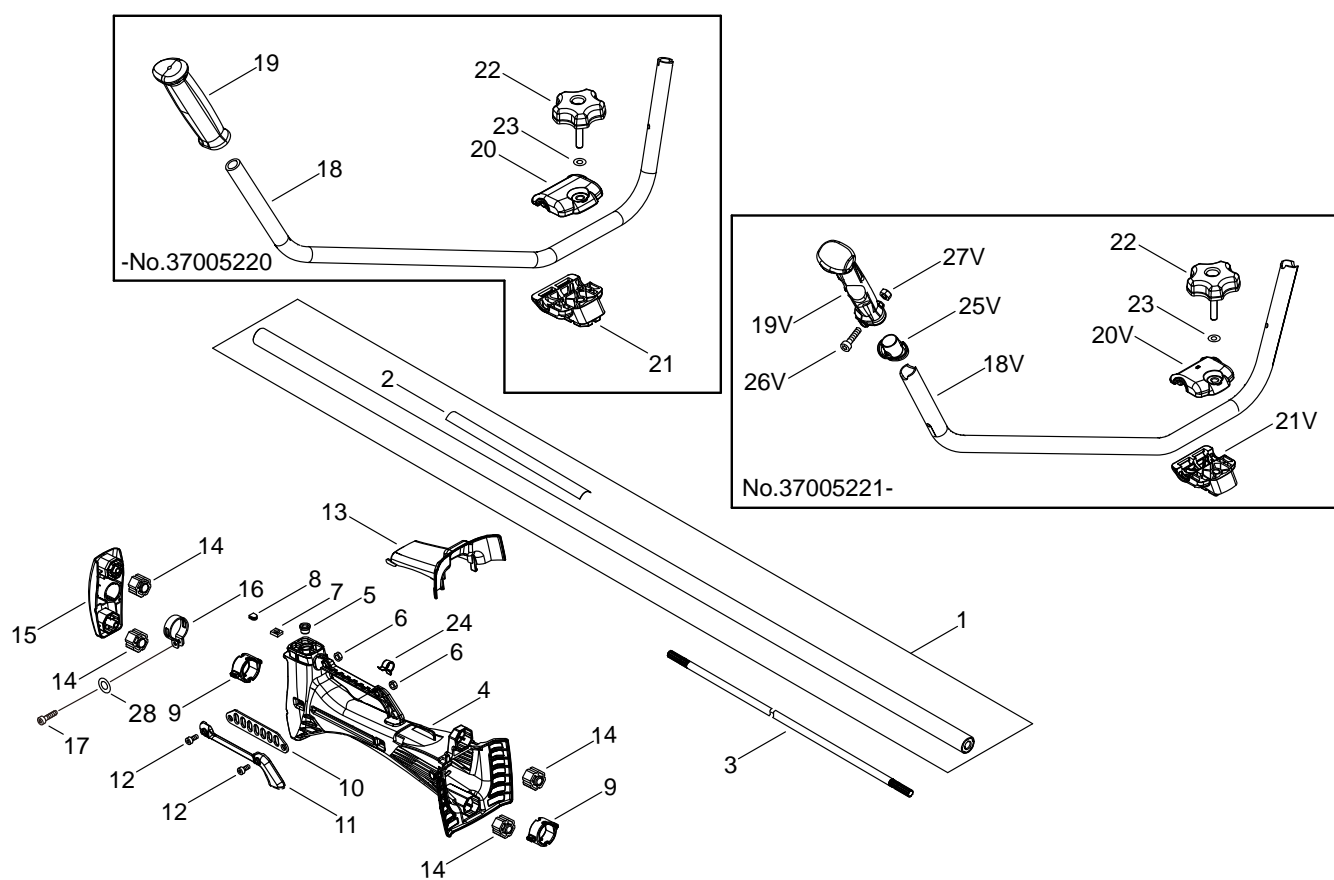
GEAR CASE, SHIELD

Key No.	LV (+)	Parts Number	Parts Description	Qty	Standard	Class
1		P021-043970	CASE,GEAR	1		
2	+	900220-04006	SCREW	1	4*6	
3	+	V000-000190	GEAR SET, BEVEL	1	2:1	D
4	+	C534-000940	SHAFT, GEAR	1	M10	D
5	+	900810-00629	BEARING, BALL	1	629	
6	+	900812-06302	BEARING, BALL	1	6302LLU(DDU)	
7	+	900800-06001	BEARING, BALL	2	6001	
8	+	900803-06001	BEARING, BALL	1	6001Z	
9	+	V313-000090	WASHER,CIRCULAR 20	1		C
10	+	900702-00042	RETAINING RING	1	CR-42	
11	+	900702-00028	RETAINING RING	1	CR-28	
12	+	900706-00012	RETAINING RING	1	WR-12	
13	+	900701-00012	RETAINING RING	1	CS-12	
14	+	900701-00009	RETAINING RING	1	CS-9	
15	+	C535-000920	FIXTURE, BLADE	1		B
16	++	C535-000930	FIXTURE, BLADE	1		B
17	++	610352-56830	PLATE, CUP	1		B
18	++	900720-00012	O-RING	1	P-12	
19	+	610314-52130	PLATE, ADAPTER (L)	1		B
20	+	699229-56830	PLATE, COVER	1		B
21	+	610320-52130	NUT 10	1		B
22	+	V452-001310	SPRING,TORSION	1		B
23	+	610434-50031	BOLT 8* 8	1	M8*8	B
24	+	900603-50008	WASHER	1	8.5*18*0.8T	C
25	+	V806-000100	BOLT, TORX 6	1	TB-6*30 10.9	C
26	+	V805-000130	BOLT, TORX 5	1	TB-5*10 10.9	C
27		C550-000511	SHIELD,BLADE	1	ORN	B
28	+	900565-00005	NUT, SQUARE	1	5	
29		C550-000541	SHIELD, BLADE	1		B
30		V805-000170	BOLT, TORX 5	1	TB-5*25 10.9	C
31		900562-00005	NUT, LOCK	1	5	
32		C552-000200	PLATE, SHIELD	1		D
33		91316-04010	SCREW	1	4*10	C
34		V805-000260	BOLT, TORX 5	4	TB5*25 10.9	C
35		P021-043981	SHIELD ASY, BLADE	1		
36	+	C554-000001	KNIFE,CORD	1		B
37	+	V805-000150	BOLT, TORX 5	1	TB-5*16 10.9	C
38		X524-004680	LABEL	1	HIGH TORQUE	D

Class : Consumable class

A:Fast moving parts B:Semi-fast moving parts C:Slow moving parts D:Order only as needed

MAIN PIPE, HANDLE



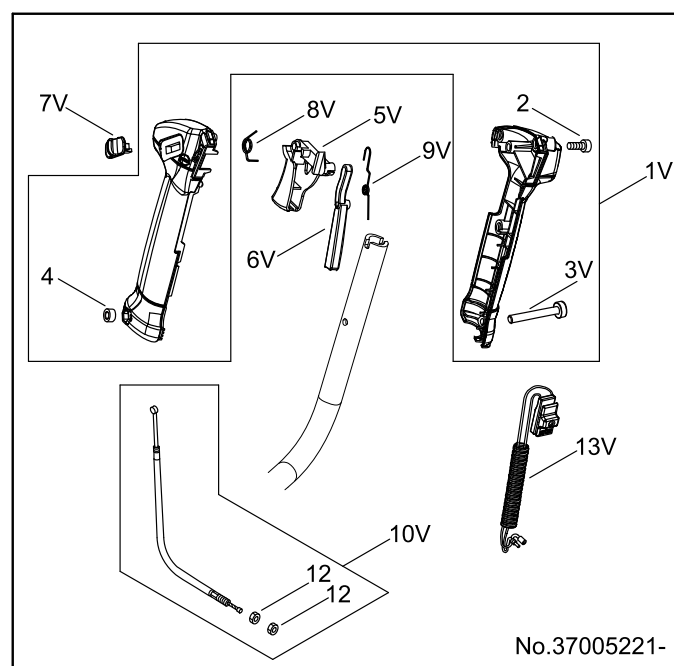
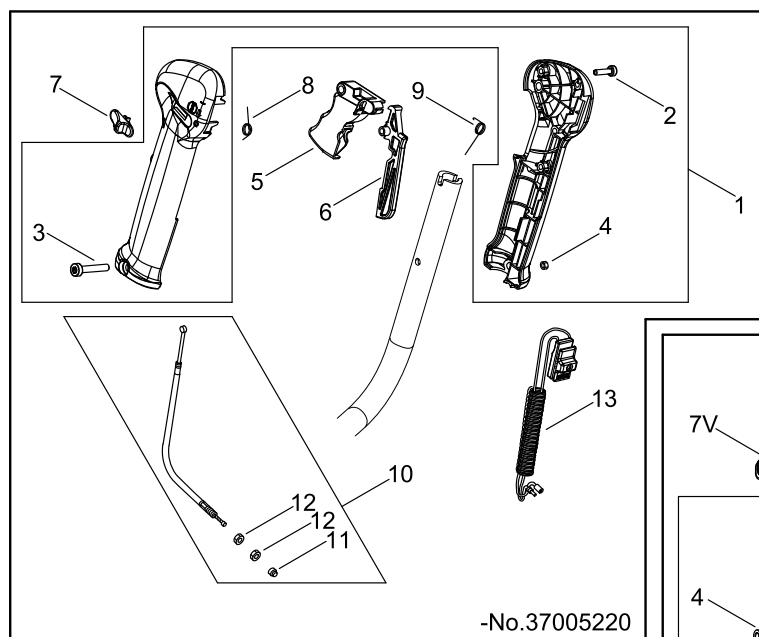
MAIN PIPE, HANDLE

Key No.	LV (+)	Parts Number	Parts Description	Qty	Standard	Class
1		P021-047220	MAIN PIPE ASY	1		
2	+	890617-43130	LABEL,CAUTION	1		D
3		610011-49931	SHAFT, DRIVE	1		C
4		C415-000172	SUPPORTER, HANDLE	1	SRM-420/520	C
5		V355-000750	COLLAR,8	1	SRM-420ES	C
6		V263-000020	NUT,5	2		C
7		900565-50008	NUT	1	8*1.25	
8		101538-28230	GROMMET,PLUG	1		B
9		C427-000050	STOPPER, HAMDLE	2		D
10		V150-003590	PLATE,EYE	1		C
11		C648-000030	HOLDER,LIFTING	1		D
12		V805-000150	BOLT, TORX 5	2	TB-5*16 10.9	C
13		C480-000140	GUIDE, CABLE	1		C
14		V420-004100	CUSHION	4		B
15		P200-000540	FIXTURE,CUSHION ASY	1		
16		V495-003660	BAND	1		C
17		V806-000010	BOLT, TORX 6	1	TB-6*20 10.9	C
18		C400-001320	HANDLE, FRONT	1		C
18V		C400-001440	HANDLE,FRONT	1	22X T2.0	C
19		C403-000031	GRIP,HANDLE	1		C
19V		C403-000810	GRIP, HANDLE	1		C
20		C423-000910	FIXTURE, HANDLE	1		D
20V		C423-000960	FIXTURE, HANDLE	1	22	D
21		C423-000920	FIXTURE, HANDLE	1		D
21V		C423-000970	FIXTURE, HANDLE	1	22	D
22		V299-000110	KNOB,FASTENER	1		C
23		175049-03920	WASHER	1		C
24		V490-001220	CLIP	1		C
25V		C441-000000	PIECE,HAND GUARD	1	22	C
26V		V805-000070	BOLT, TORX 5	1	TB-5*40 10.9	C
27V		900562-50005	LOCKNUT 5	1	5	
28		900603-00006	WASHER 6	1	6.5*13*1	

Class : Consumable class

A:Fast moving parts B:Semi-fast moving parts C:Slow moving parts D:Order only as needed

THROTTLE



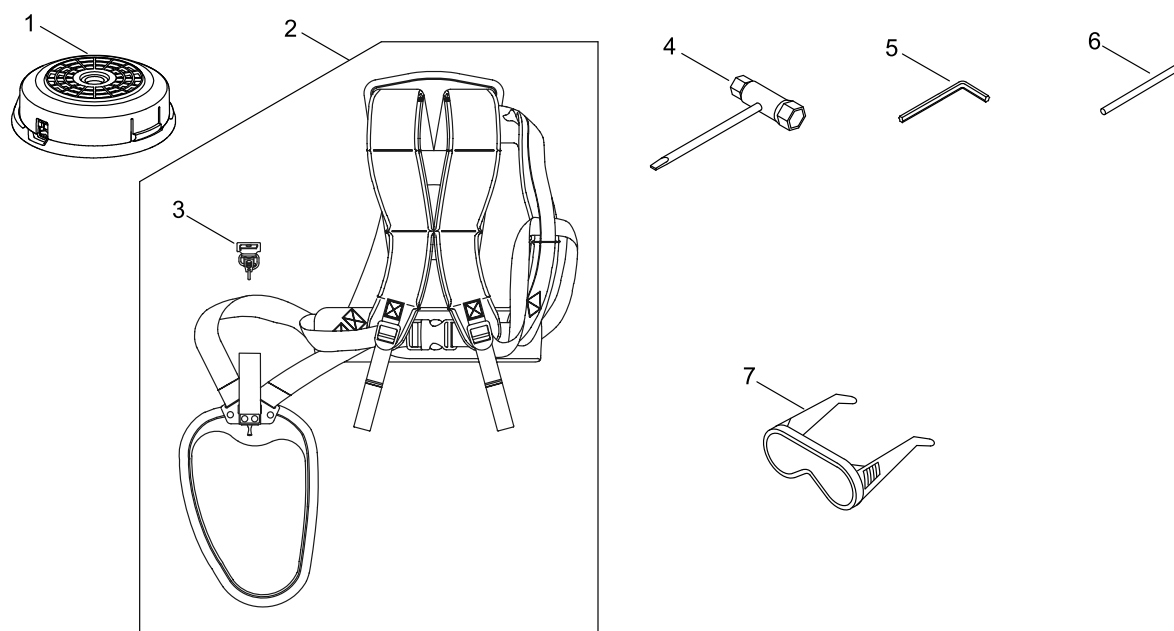
THROTTLE

Key No.	LV (+)	Parts Number	Parts Description	Qty	Standard	Class
1		P021-016210	GRIP ASY,F-HANDLE	1		
1V		P021-047370	HANDLE GRIP SET	1		
2	+	V804-000010	BOLT, TORX 4	3	TT-4*16 DG 10.9	C
3	+	V805-000050	BOLT, TORX 5	1	TB-5*30 10.9	C
3V	+	V805-000060	BOLT, TORX 5	1	TB-5*35 10.9	C
4	+	900500-00005	NUT	1	5	
5		C450-000270	CONTROL, THROTTLE	1		C
5V		C450-000880	CONTROL, THROTTLE	1		C
6		C460-000111	LOCKOUT, THROTTLE	1	70MM	C
6V		C460-000490	LOCKOUT, THROTTLE	1		C
7		C463-000020	KNOB, LATCH	1		C
7V		C463-000000	KNOB,LATCH	1		C
8		V452-000360	SPRING,TORSION	1		B
8V		V452-000060	SPRING,TORSION	1		B
9		V452-000350	SPRING,TORSION	1		B
9V		V452-001540	SPRING,TORSION	1		B
10		V430-004241	CABLE,BOWDEN	1		B
10V		V430-004840	CABLE,BOWDEN	1		B
11	+	V494-000080	CAP	1		C
12	+	900502-00006	NUT	2	3N6	
13		P021-041470	SWITCH,ON OFF ASY	1		
13V		P021-041471	SWITCH,ON OFF ASY	1		

Class : Consumable class

A:Fast moving parts B:Semi-fast moving parts C:Slow moving parts D:Order only as needed

ACCESSORIES



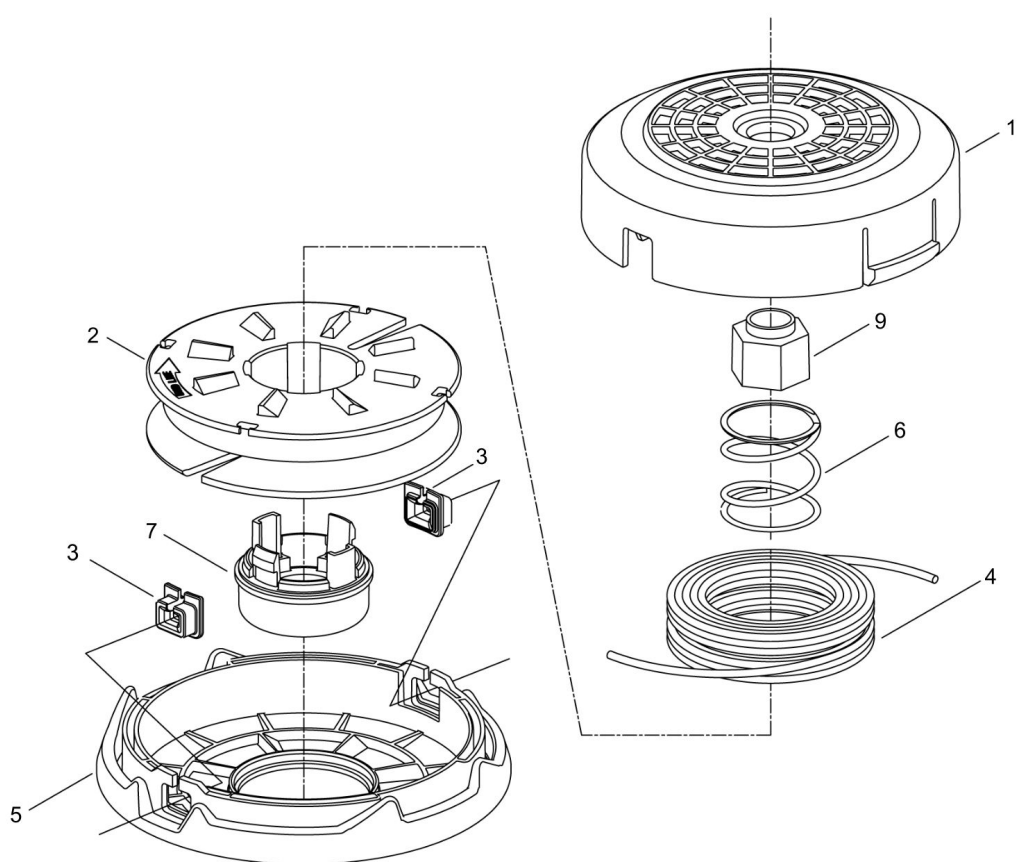
ACCESSORIES

Key No.	LV (+)	Parts Number	Parts Description	Qty	Standard	Class
1		X047-001070	CUTTER,ASM LINE	1	B6 M10L	A
2		C062-000511	HARNESS, SHOULDER	1		B
3	+	P021-041300	HOOK ASSY	1		
4		X602-000020	TOOL,WRENCH	1	17*19 L200	D
5		X605-000170	TOOL,L WRENCH	1		D
6		X606-000080	TOOL,BAR	1	5*120	D
7		X690-000080	GOGGLE	1	SI CHINA, Z87.1	D

Class : Consumable class

A:Fast moving parts B:Semi-fast moving parts C:Slow moving parts D:Order only as needed

NYLON LINE CUTTER



NYLON LINE CUTTER

Key No.	LV (+)	Parts Number	Parts Description	Qty	Standard	Class
		X047-001070	CUTTER,ASM LINE	1	B6 M10L	A
1	+	P022-024670	CASE	1		
2	+	P022-024660	LINE HOLDER	1		
3	+	P022-000710	EYELET	2	T4	
4	+	REFER	PRODUCT CATALOGUE	1		
5	+	P022-024640	COVER	1		
6	+	P022-035500	SPRING	1		
7	+	P022-024620	KNOB	1		
9	+	P022-023180	NUT	1		

Class : Consumable class

A:Fast moving parts B:Semi-fast moving parts C:Slow moving parts D:Order only as needed

NUMERICAL PARTS INDEX

Part No	Part description	Page	Part No	Part description	Page	Part No	Part description	Page
100012-19830	BEARING, NEEDLE	2	610434-50031	BOLT 8* 8	20	A226-001730	ELEMENT,AIR FILTER	10
100014-17330	SPACER, PISTON PIN	2	699229-56830	PLATE, COVER	20	A226-001740	ELEMENT, AIR FILTER	10
100142-12330	KEY, WOODRUFF	6	890617-43130	LABEL,CAUTION	22	A227-000040	PLATE, ELEMENT	10
100213-05530	OILSEAL	4	900220-04006	SCREW	20	A232-001620	LID,CLEANER	10
101538-28230	GROMMET,PLUG	22	900500-00005	NUT	24	A244-000290	PLATE, PREVENT	10
123110-03930	SCREW, PUMP COVER	12	900502-00006	NUT	24	A300-001700	MUFFLER, EXHAUST	16
123113-47530	SPRING, THR. RTN.	12	900562-00005	NUT, LOCK	20	A313-001910	GUIDE, EXHAUST	16
123116-05960	VALVE, THROTTLE	12	900562-50005	LOCKNUT 5	22	A320-000970	COVER,MUFFLER	16
123122-03660	SPRING, METER. LEVER	12	900565-00005	NUT	18	A350-002020	TANK, FUEL	14
123123-03930	LEVER, METERING	12	900565-00005	NUT, SQUARE	20	A365-000060	CONNECTOR,CAP	14
123125-15030	GASKET, FUEL PUMP	12	900565-50008	NUT	22	A369-000001	STRAINER, FUEL	14
123126-10631	SCREEN, INLET	12	900603-00006	WASHER 6	22	A393-000300	BRACKET,FUEL TANK	18
123127-03930	CLIP, THROTTLE SHAFT	12	900603-50008	WASHER	20	A409-001210	ROTOR, MAGNETO	6
123127-10630	RETAINING, SPRING	12	900701-00009	RETAINING RING	20	A411-001371	COIL, IGNITION	6
123130-02960	SCREW	12	900701-00012	CIRCLIP 12	8	A425-000000	SPARKPLUG	6
123133-04260	SPRING, IDLE ADJUST	12	900701-00012	RETAINING RING	20	A426-000010	TERMINAL,SPARKPLUG	6
123134-04260	SCREW, IDLE ADJUST	12	900702-00028	CIRCLIP 28	8	A427-000060	CAP,SPARK PLUG	6
123137-19830	VALVE, INLET NEEDLE	12	900702-00028	RETAINING RING	20	A429-000090	COVER,CAP	6
123138-03930	PIN, METERING LEVER	12	900702-00042	RETAINING RING	20	A507-000140	CATCHER, PAWL	18
123139-03930	SCREW, M. LEVER PIN	12	900706-00012	RETAINING RING	20	A514-000280	PAWL	6
123140-03930	GASKET, M. DIAPHRAGM	12	900720-00012	O-RING	20	A552-000390	HUB, CLUTCH	8
123142-03930	COVER, M. DIAPHRAGM	12	900800-06001	BEARING, BALL	20	A553-000170	ARM, CLUTCH	8
123146-10631	PLUG, WELCH	12	900803-06001	BEARING, BALL	20	A556-001540	DRUM, CLUTCH	8
123149-54230	WASHER	12	900810-00629	BEARING, BALL	20	A557-000190	SHAFT, CLUTCH	8
123172-26030	SWIVEL	12	900812-06302	BEARING, BALL	20	A566-000230	SPRING, CLUTCH	8
123181-39130	PUMP, PRIMER	10	900888-36201	BEARING, BALL 6201	4	A570-000291	CASE,CLUTCH	8
130110-16430	PIPE, IMPULSE	14	91316-04010	SCREW	20	C062-000511	HARNESS, SHOULDER	26
130111-00530	CLIP	14	92105-08000	NUT, FLANGE	6	C400-001320	HANDLE, FRONT	22
131016-55830	GASKET, FUEL CAP	14	94018-46001	BEARING, BALL	8	C400-001440	HANDLE,FRONT	22
131300-56431	VENT ASSEMBLY, FUEL	14	A011-001230	CRANKSHAFT,ASY	2	C403-000031	GRIP,HANDLE	22
131328-40630	COVER, VENT	14	A021-003840	CARBURETOR, DIAPHRAGM	10	C403-000810	GRIP, HANDLE	22
131920-61830	CUSHION, FUEL TANK	14	A021-003840	CARBURETOR, DIAPHRAGM	12	C415-000172	SUPPORTER, HANDLE	22
132115-55930	GROMMET, FUEL	14	A051-002630	STARTER,RECOIL ASY	18	C423-000910	FIXTURE, HANDLE	22
145862-40630	SCREEN, MUFFLER	16	A101-000160	RING, PISTON	2	C423-000920	FIXTURE, HANDLE	22
156110-04920	BUSHING	4	A130-002070	CYLINDER	2	C423-000960	FIXTURE, HANDLE	22
156114-07320	GROMMET	6	A160-002620	COVER,CYLINDER	2	C423-000970	FIXTURE, HANDLE	22
159116-21231	CLAMP	4	A160-002631	COVER,CYLINDER	2	C427-000050	STOPPER, HAMDLE	22
175049-03920	WASHER	22	A172-002240	COVER,FAN	18	C441-000000	PIECE,HAND GUARD	22
177227-42030	GUIDE, ROPE	18	A175-000331	STAND	14	C450-000270	CONTROL, THROTTLE	24
177228-27030	GRIP, STARTER	18	A200-000990	INSULATOR, INTAKE	10	C450-000880	CONTROL, THROTTLE	24
177247-04630	SPACER, RATCHET	6	A202-000251	BELLOWS, INTAKE	10	C460-000111	LOCKOUT, THROTTLE	24
610011-49931	SHAFT, DRIVE	22	A209-000720	PLATE, INSULATOR	10	C460-000490	LOCKOUT, THROTTLE	24
610314-52130	PLATE, ADAPTER (L)	20	A209-000730	PLATE, INSULATOR	10	C463-000000	KNOB,LATCH	24
610320-52130	NUT 10	20	A209-000740	PLATE, INSULATOR	4	C463-000020	KNOB, LATCH	24
610352-56830	PLATE, CUP	20				C480-000140	GUIDE, CABLE	22

NUMERICAL PARTS INDEX

Part No	Part description	Page	Part No	Part description	Page	Part No	Part description	Page
C487-000410	HOLDER, CABLE	10	V000-000190	GEAR SET, BEVEL	20	V505-000020	SEAL,OIL 12	4
C534-000940	SHAFT, GEAR	20	V100-000760	GASKET,CYL	2	V541-000540	SEAL	16
C535-000920	FIXTURE, BLADE	20	V102-000250	GASKET,CRANKCASE	4	V580-000010	RING,END	2
C535-000930	FIXTURE, BLADE	20	V103-000471	GASKET,INTAKE	10	V608-000000	PIN,ENG 10	2
C550-000511	SHIELD,BLADE	20	V103-001610	GASKET,INTAKE	10	V804-000010	BOLT, TORX 4	24
C550-000541	SHIELD, BLADE	20	V103-001620	GASKET,INTAKE	10	V804-000030	BOLT, TORX 4	16
C552-000200	PLATE, SHIELD	20	V104-002020	GASKET,EXHAUST	16	V805-000050	BOLT, TORX 5	24
C554-000001	KNIFE,CORD	20	V104-002030	GASKET,EXHAUST	16	V805-000060	BOLT, TORX 5	24
C648-000030	HOLDER,LIFTING	22	V104-002040	GASKET,EXHAUST	16	V805-000070	BOLT, TORX 5	22
P003-001850	DIAPHRAGM, METERING	12	V150-003590	PLATE,EYE	22	V805-000100	BOLT, TORX 5	10
P003-002270	NEEDLE	12	V186-000510	JOINT,PIPE	14	V805-000130	BOLT, TORX 5	8
P003-002380	SCREW	12	V253-000100	SCREW,5	10	V805-000130	BOLT, TORX 5	20
P003-003930	COVER, FUEL PUMP	12	V263-000020	NUT,5	22	V805-000140	BOLT, TORX 5	6
P003-004460	NEEDLE	12	V299-000110	KNOB,FASTENER	22	V805-000150	BOLT, TORX 5	6
P003-005020	SHAFT ASM THROTTLE	12	V313-000090	WASHER,CIRCULAR 20	20	V805-000150	BOLT, TORX 5	18
P003-006270	DIAPHRAGM, FUEL PUMP	12	V353-000630	COLLAR,5	6	V805-000150	BOLT, TORX 5	20
P021-012210	CAP,FUEL ASY	14	V355-000750	COLLAR,8	22	V805-000150	BOLT, TORX 5	22
P021-016210	GRIP ASY,F-HANDLE	24	V376-001980	SPACER	8	V805-000160	BOLT, TORX 5	8
P021-041140	CLUTCH ASY	8	V420-004100	CUSHION	22	V805-000170	BOLT, TORX 5	8
P021-041300	HOOK ASSY	26	V423-000090	HOLDER,CUSHION	14	V805-000170	BOLT, TORX 5	20
P021-041380	CRANKCASE SET	4	V430-004241	CABLE,BOWDEN	24	V805-000210	BOLT, TORX 5	2
P021-041390	PISTON KIT	2	V430-004840	CABLE,BOWDEN	24	V805-000250	BOLT, TORX 5	16
P021-041410	CLEANER CASE ASY	10	V452-000060	SPRING,TORSION	24	V805-000260	BOLT, TORX 5	16
P021-041470	SWITCH,ON OFF ASY	24	V452-000350	SPRING,TORSION	24	V805-000260	BOLT, TORX 5	20
P021-041471	SWITCH,ON OFF ASY	24	V452-000360	SPRING,TORSION	24	V805-000290	BOLT, TORX 5	4
P021-043970	CASE,GEAR	20	V452-001310	SPRING,TORSION	20	V806-000010	BOLT, TORX 6	22
P021-043981	SHIELD ASY, BLADE	20	V452-001471	SPRING,TORSION	6	V806-000050	BOLT, TORX 6	16
P021-047220	MAIN PIPE ASY	22	V452-001540	SPRING,TORSION	24	V806-000100	BOLT, TORX 6	20
P021-047370	HANDLE GRIP SET	24	V453-000230	SPRING,FLAT	8	V835-000000	BOLT, TORX 5	2
P022-000710	EYELET	28	V470-000840	PIPE	14	V835-000000	BOLT, TORX 5	4
P022-004680	SPRING, SPIRAL	18	V471-002310	PIPE	14	V835-000000	BOLT, TORX 5	14
P022-023100	ROPE, STARTER	18	V471-003950	PIPE	14	V835-000010	BOLT, TORX 5	10
P022-023110	SCREW	18	V471-004040	PIPE	4	V835-000030	BOLT, TORX 5	10
P022-023120	SPRING,DAMPER	18	V471-004050	PIPE	10	V835-000030	BOLT, TORX 5	18
P022-023140	DRUM, STARTER	18	V475-007540	TUBE	6	X047-001070	CUTTER,ASM LINE	26
P022-023180	NUT	28	V475-007550	TUBE	6	X047-001070	CUTTER,ASM LINE	28
P022-024620	KNOB	28	V475-007610	TUBE	4	X502-000900	LABEL,ECHO	18
P022-024640	COVER	28	V475-007610	TUBE	14	X505-002310	LABEL,CAUTION	16
P022-024660	LINE HOLDER	28	V485-002331	LEAD	6	X524-001901	LABEL	10
P022-024670	CASE	28	V485-002570	LEAD	4	X524-004680	LABEL	20
P022-035500	SPRING	28	V490-000440	CLIP	10	X547-002380	LABEL,ECHO	2
P022-037550	STARTER CASE	18	V490-001220	CLIP	22	X602-000020	TOOL,WRENCH	26
P200-000540	FIXTURE,CUSHION ASY	22	V490-001240	CLIP	14	X605-000170	TOOL,L WRENCH	26
REFER	PRODUCT CATALOGUE	28	V494-000080	CAP	24	X606-000080	TOOL,BAR	26
			V495-003660	BAND	22	X690-000080	GOGGLE	26