

SRM-420TES/U

Serial Number

37000001-37002091

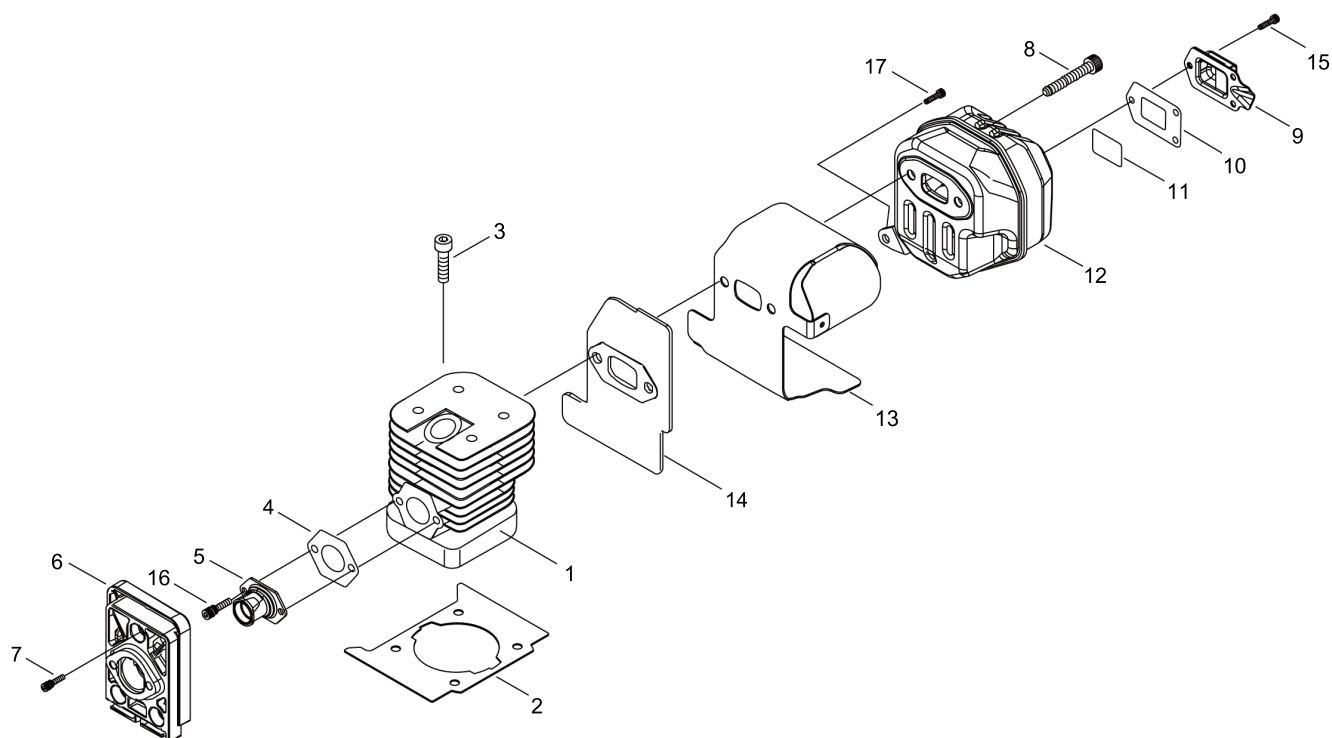
Last updated date

13/Jan/2023

TABLE OF CONTENTS

CYLINDER, MUFFLER	1
CRANKCASE, FANCOVER.....	3
CRANK SHAFT, PISTON	5
MAGNETO.....	7
RECOIL STARTER.....	9
AIR CLEANER.....	11
FUEL TANK	13
MAIN PIPE	15
SUPPORT,HANDLE.....	17
HANDLE.....	19
THROTTLE.....	21
GEAR CASE	23
SHIELD	25
ACCESSORIES	27
NYLON LINE CUTTER	29
CARBURETOR.....	31

CYLINDER, MUFFLER



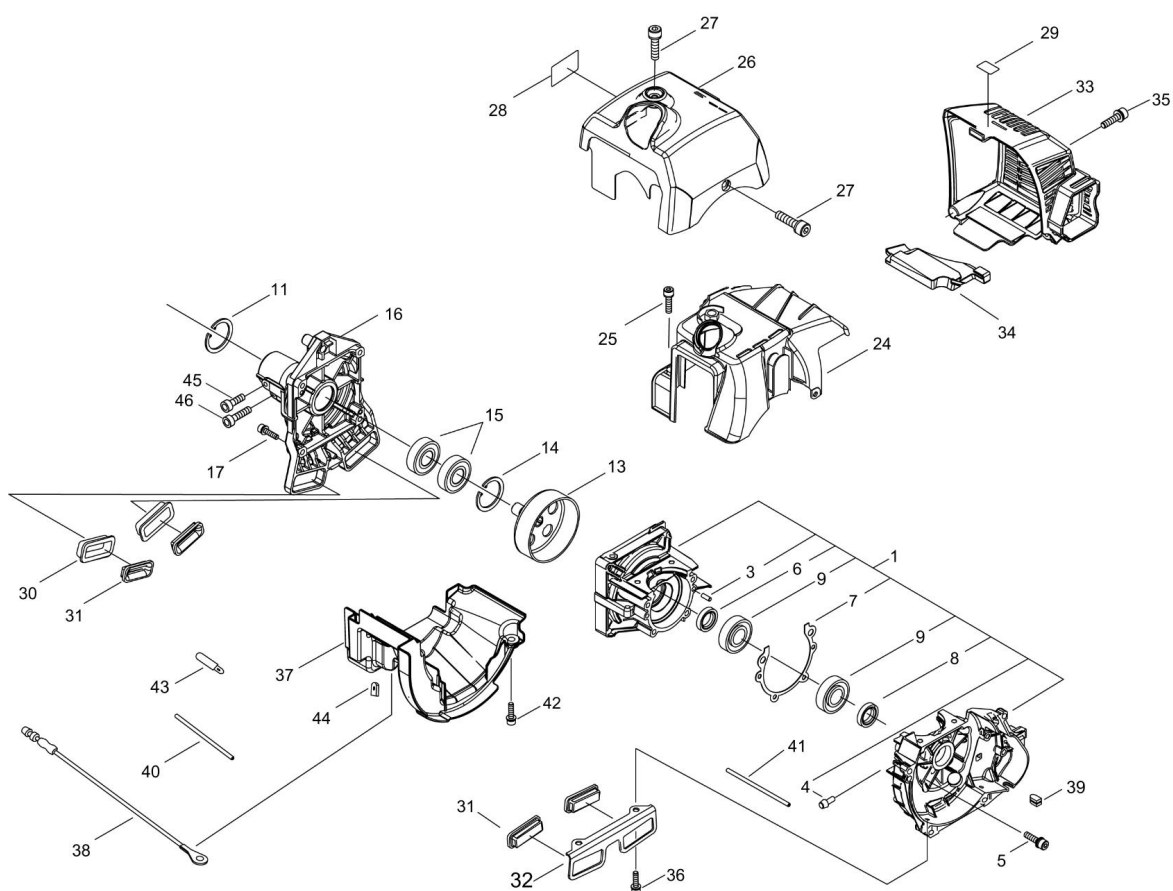
CYLINDER, MUFFLER

Key No.	LV (+)	Parts Number	Parts Description	Qty	Standard	Class
1		A130-002070	CYLINDER	1		D
2		V100-000760	GASKET,CYL	1		B
3		V805-000210	BOLT, TORX 5	4	TB-5*20 12.9	C
4		V103-001620	GASKET,INTAKE	1		A
5		A202-000250	BELLOWS, INTAKE	1		C
6		A200-000990	INSULATOR, INTAKE	1		C
7		V835-000030	BOLT, TORX 5	3	TB-5*20 10.9	C
8		V806-000050	BOLT, TORX 6	2	TB-6*20 12.9	C
9		A313-001910	GUIDE, EXHAUST	1		C
10		V104-002040	GASKET,EXHAUST	1		A
11		145862-40630	SCREEN, MUFFLER	1		B
12		A300-001700	MUFFLER, EXHAUST	1		C
13		V104-002020	GASKET,EXHAUST	1		A
14		V104-002030	GASKET,EXHAUST	1		A
15		V804-000030	BOLT, TORX 4	3	TB-4*8 10.9	C
16		V835-000010	BOLT, TORX 5	2	TB-5*12 10.9	C
17		V805-000250	BOLT, TORX 5	1	TB-5*16 12.9	C

Class : Consumable class

A:Fast moving parts B:Semi-fast moving parts C:Slow moving parts D:Order only as needed

CRANKCASE, FANCOVER



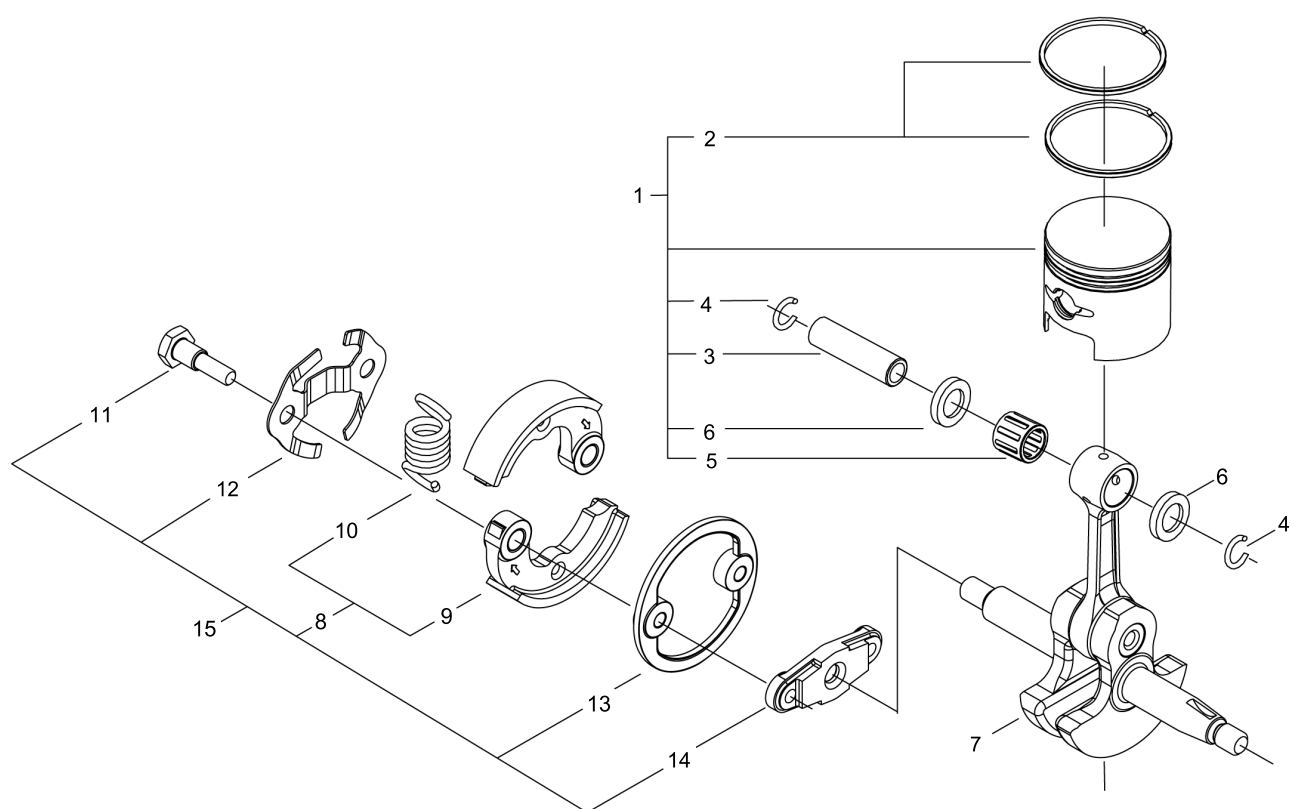
CRANKCASE, FANCOVER

Key No.	LV (+)	Parts Number	Parts Description	Qty	Standard	Class
1		P021-041380	CRANKCASE SET	1		
3	+	900330-40080	PIN F 4*8	4	4*8	
4	+	130113-12330	CONNECTER	1		C
6	+	V505-000020	SEAL,OIL 12	1	12*22*7	C
7	+	V102-000250	GASKET,CRANKCASE	1		B
8	+	100213-05530	OILSEAL	1	ISCD 12 22 7	C
9	+	900888-36201	BEARING, BALL 6201	2	6201	
5		V805-000290	BOLT, TORX 5	4	TB-5*35 12.9	C
11		900701-00012	CIRCLIP 12	1	CS-12	
13		A556-001540	DRUM, CLUTCH	1		B
14		900702-00028	CIRCLIP 28	1	CR-28	
15		94018-46001	BEARING, BALL	2		
16		A570-000290	CASE,CLUTCH	1		D
17		V805-000170	BOLT, TORX 5	4	TB-5*25 10.9	C
24		A160-002620	COVER,CYLINDER	1		C
25		V835-000000	BOLT, TORX 5	1		C
26		A160-002631	COVER,CYLINDER	1		C
27		V835-000000	BOLT, TORX 5	2		C
28		X547-002380	LABEL,ECHO	1	ECHO+SRM-420TES	D
29		X505-002310	LABEL,CAUTION	1	HOT CAUTION	D
30		V423-000090	HOLDER,CUSHION	2		C
31		131920-61830	CUSHION, FUEL TANK	4		B
32		A393-000300	BRACKET,FUEL TANK	1	T1.5	C
33		A320-000970	COVER,MUFFLER	1	SRM-420ES	C
34		V541-000540	SEAL	1		C
35		V805-000260	BOLT, TORX 5	2	TB5*25 10.9	C
36		V805-000150	BOLT, TORX 5	2	TB-5*16 10.9	C
37		A209-000740	PLATE, INSULATOR	1		C
38		V485-002570	LEAD	1		C
39		156114-07320	GROMMET	1		C
40		V475-007610	TUBE	1	8*9*111	C
41		V471-004040	PIPE	1	3*6*165	C
42		V835-000000	BOLT, TORX 5	2		C
43		159116-21231	CLAMP	1		C
44		156110-04920	BUSHING	1		C
45		V805-000130	BOLT, TORX 5	1	TB-5*10 10.9	C
46		V805-000160	BOLT, TORX 5	1	TB-5*20 10.9	C

Class : Consumable class

A:Fast moving parts B:Semi-fast moving parts C:Slow moving parts D:Order only as needed

CRANK SHAFT, PISTON



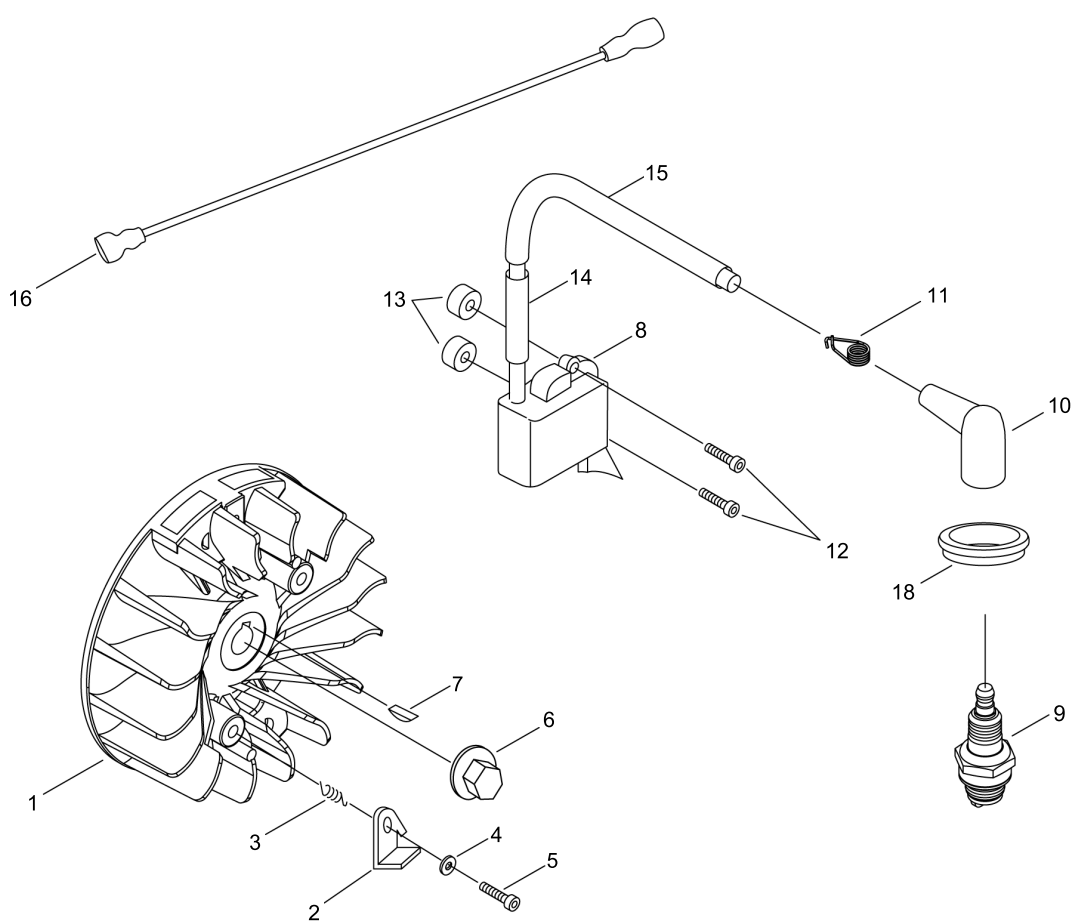
CRANK SHAFT, PISTON

Key No.	LV (+)	Parts Number	Parts Description	Qty	Standard	Class
1		P021-041390	PISTON KIT	1		
2	+	A101-000160	RING, PISTON	2	40*B1.5*T1.8	B
3	+	V608-000000	PIN,ENG 10	1		D
4	+	V580-000010	RING,END	2	10	C
5	+	100012-19830	BEARING, NEEDLE	1		B
6	+	100014-17330	SPACER, PISTON PIN	2		C
7		A011-001230	CRANKSHAFT,ASY	1		D
15		P021-041140	CLUTCH ASY	1		
8	+	P021-041130	CLUTCH SHOE SET	1		
9	++	A553-000170	ARM, CLUTCH	2		B
10	++	A566-000230	SPRING, CLUTCH	1		B
11	+	A557-000190	SHAFT, CLUTCH	2		B
12	+	V453-000230	SPRING,FLAT	1		C
13	+	V376-001980	SPACER	1		C
14	+	A552-000390	HUB, CLUTCH	1		B

Class : Consumable class

A:Fast moving parts B:Semi-fast moving parts C:Slow moving parts D:Order only as needed

MAGNETO



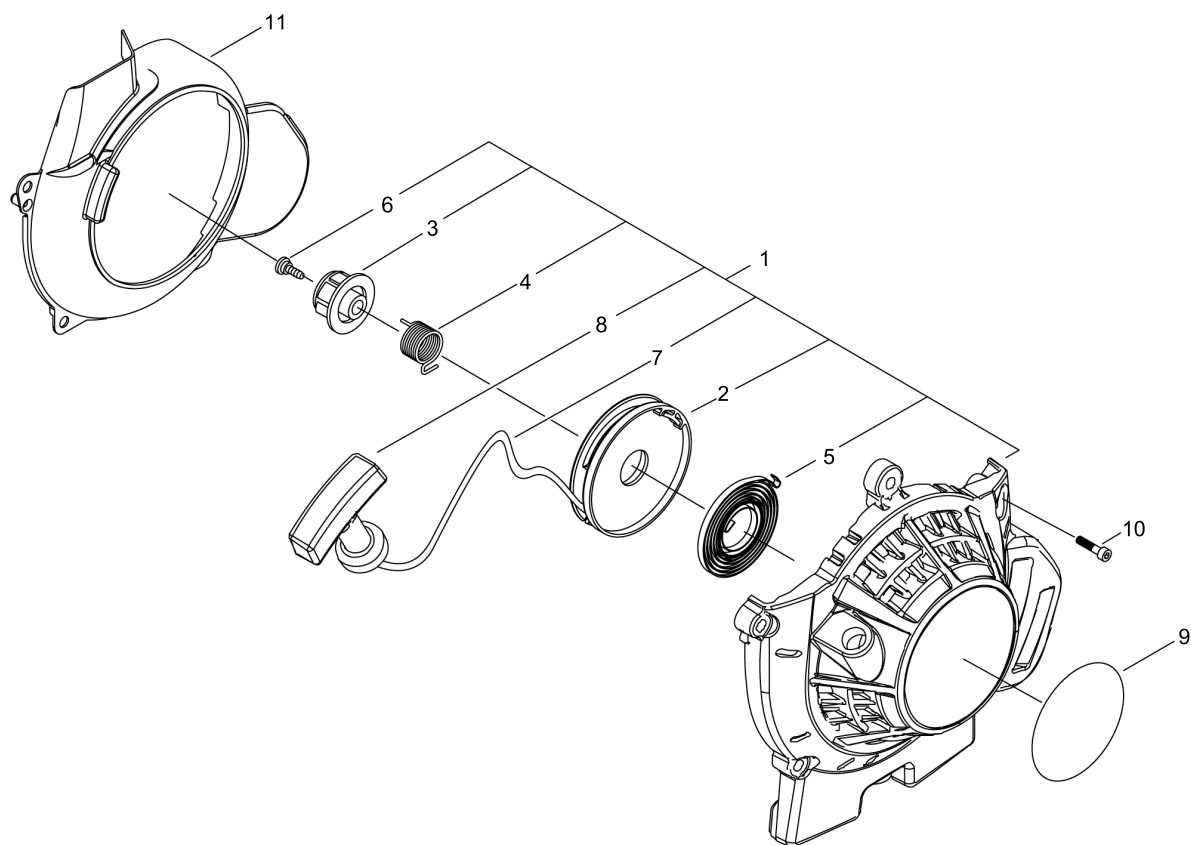
MAGNETO

Key No.	LV (+)	Parts Number	Parts Description	Qty	Standard	Class
1		A409-001210	ROTOR, MAGNETO	1		C
2		A514-000280	PAWL	2		C
3		V452-001470	SPRING,TORSION	2		B
4		177247-04630	SPACER, RATCHET	2	5.2*8*2.1	C
5		V805-000140	BOLT, TORX 5	2	TB-5*12 10.9	C
6		92105-08000	NUT, FLANGE	1	M8*1.25 L	
7		100142-12330	KEY, WOODRUFF	1		C
8		A411-001370	COIL, IGNITION	1		C
9		A425-000000	SPARKPLUG	1	BPMR8Y	A
10		A427-000060	CAP,SPARK PLUG	1		C
11		A426-000010	TERMINAL,SPARKPLUG	1		C
12		V805-000150	BOLT, TORX 5	2	TB-5*16 10.9	C
13		V353-000630	COLLAR,5	2		C
14		V475-007540	TUBE	1		C
15		V475-007550	TUBE	1		C
16		V485-002331	LEAD	1		C
18		A429-000090	COVER,CAP	1		C

Class : Consumable class

A:Fast moving parts B:Semi-fast moving parts C:Slow moving parts D:Order only as needed

RECOIL STARTER



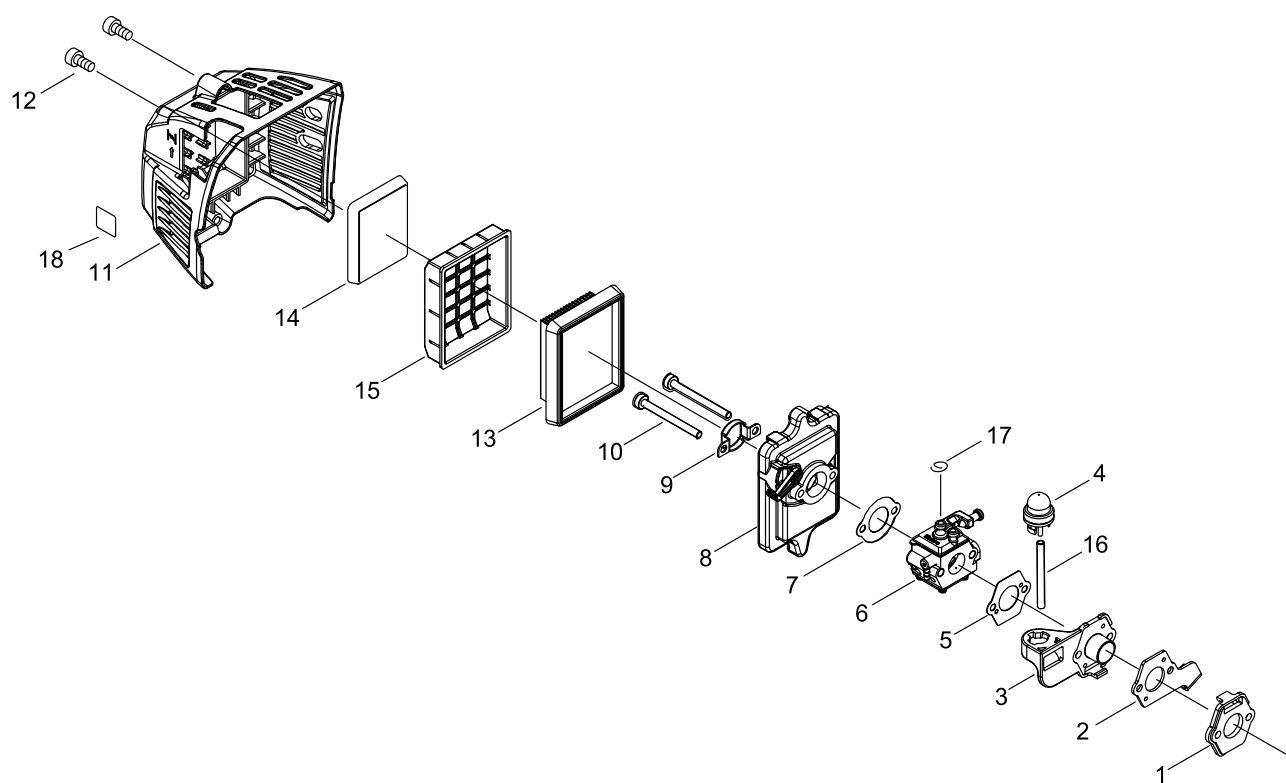
RECOIL STARTER

Key No.	LV (+)	Parts Number	Parts Description	Qty	Standard	Class
1		A051-002630	STARTER,RECOIL ASY	1		B
2	+	P022-023140	DRUM, STARTER	1		
3	+	P022-033830	CAM	1		
4	+	P022-023120	SPRING,DAMPER	1		
5	+	P022-004680	SPRING, SPIRAL	1		B
6	+	P022-023110	SCREW	1		
7	+	P022-023100	ROPE, STARTER	1		
8	+	177228-27030	GRIP, STARTER	1		C
9		X502-000900	LABEL,ECHO	1		D
10		V835-000030	BOLT, TORX 5	4	TB-5*20 10.9	C
11		A172-002240	COVER,FAN	1		C

Class : Consumable class

A:Fast moving parts B:Semi-fast moving parts C:Slow moving parts D:Order only as needed

AIR CLEANER



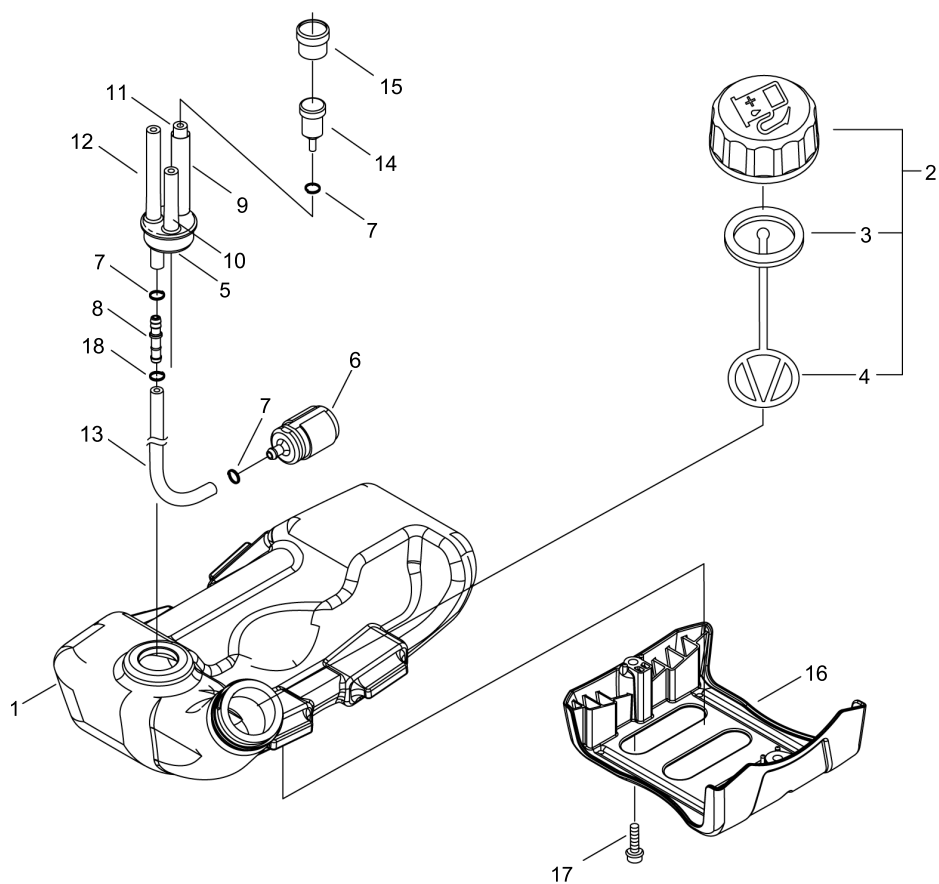
AIR CLEANER

Key No.	LV (+)	Parts Number	Parts Description	Qty	Standard	Class
1		A209-000720	PLATE, INSULATOR	1		C
2		C487-000410	HOLDER, CABLE	1		C
3		A209-000730	PLATE, INSULATOR	1		C
4		123181-39130	PUMP, PRIMER	1		A
5		V103-001610	GASKET,INTAKE	1		A
6		A021-003840	CARBURETOR,DIAPHRAGM	1	WT-1046	B
7		V103-000471	GASKET,INTAKE	1	T0.5	A
8		P021-041410	CLEANER CASE ASY	1		
9		A244-000290	PLATE, PREVENT	1		C
10		V805-000100	BOLT, TORX 5	2	TB-5*65 10.9	C
11		A232-001620	LID,CLEANER	1		C
12		V253-000100	SCREW,5	2	5*20	C
13		A226-001730	ELEMENT,AIR FILTER	1		A
14		A226-001740	ELEMENT, AIR FILTER	1		A
15		A227-000040	PLATE, ELEMENT	1		C
16		V471-004050	PIPE	1	2.4*5*115	C
17		V490-000440	CLIP	1		C
18		X524-001901	LABEL	1		D

Class : Consumable class

A:Fast moving parts B:Semi-fast moving parts C:Slow moving parts D:Order only as needed

FUEL TANK



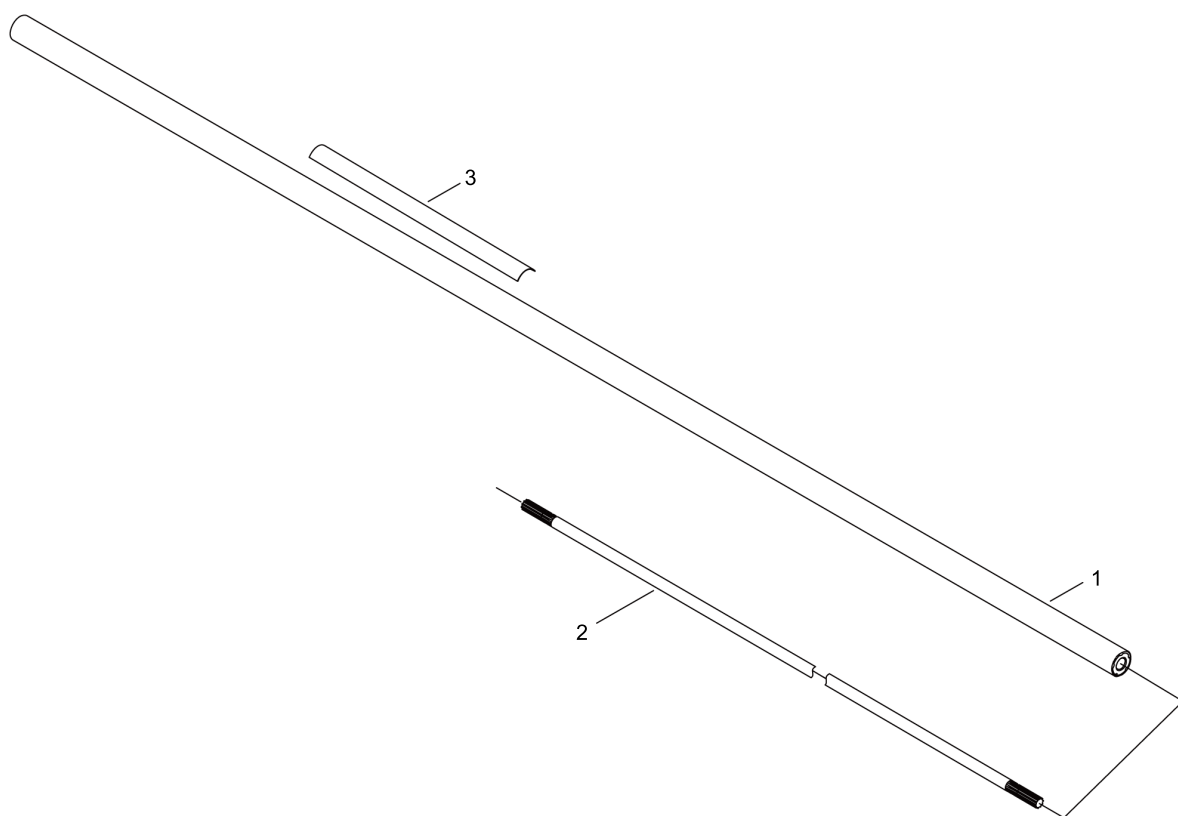
FUEL TANK

Key No.	LV (+)	Parts Number	Parts Description	Qty	Standard	Class
1		A350-002020	TANK, FUEL	1		C
2		P021-012210	CAP,FUEL ASY	1		C
3	+	131016-55830	GASKET, FUEL CAP	1		A
4	+	A365-000060	CONNECTOR,CAP	1	L=123	B
5		132115-55930	GROMMET, FUEL	1		C
6		A369-000001	STRAINER, FUEL	1	125-528	A
7		V490-001240	CLIP	3	6MM	C
8		V186-000510	JOINT,PIPE	1		C
9		V475-007610	TUBE	1	8*9*111	C
10		V471-003950	PIPE	1		C
11		130110-16430	PIPE, IMPULSE	1	3*6*140L	C
12		V471-002310	PIPE	1	3*6*130	C
13		V470-000840	PIPE	1		C
14		131300-56431	VENT ASSEMBLY, FUEL	1		B
15		131328-40630	COVER, VENT	1		D
16		A175-000330	STAND	1		C
17		V835-000000	BOLT, TORX 5	2		C
18		130111-00530	CLIP	1	5.5	C

Class : Consumable class

A:Fast moving parts B:Semi-fast moving parts C:Slow moving parts D:Order only as needed

MAIN PIPE



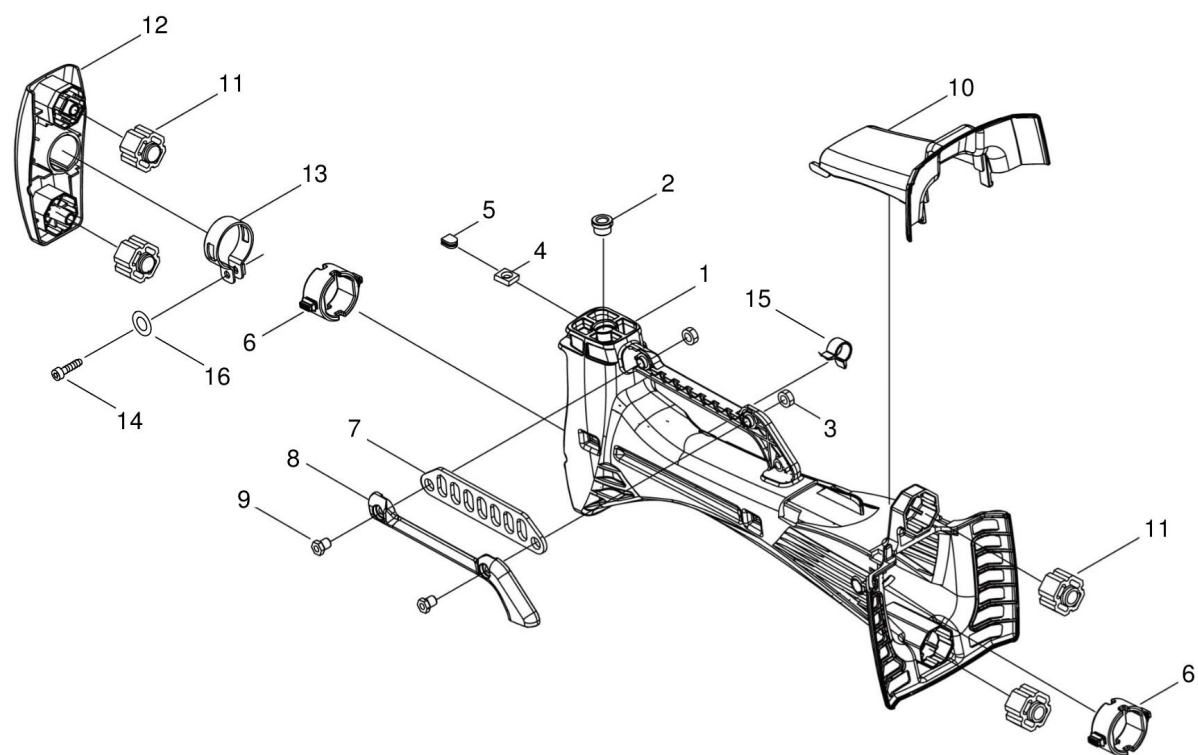
MAIN PIPE

Key No.	LV (+)	Parts Number	Parts Description	Qty	Standard	Class
1		C050-002440	PIPE, MAIN	1		C
2		610011-49931	SHAFT, DRIVE	1		C
3		890617-43130	LABEL, CAUTION	1		D

Class : Consumable class

A:Fast moving parts B:Semi-fast moving parts C:Slow moving parts D:Order only as needed

SUPPORT,HANDLE



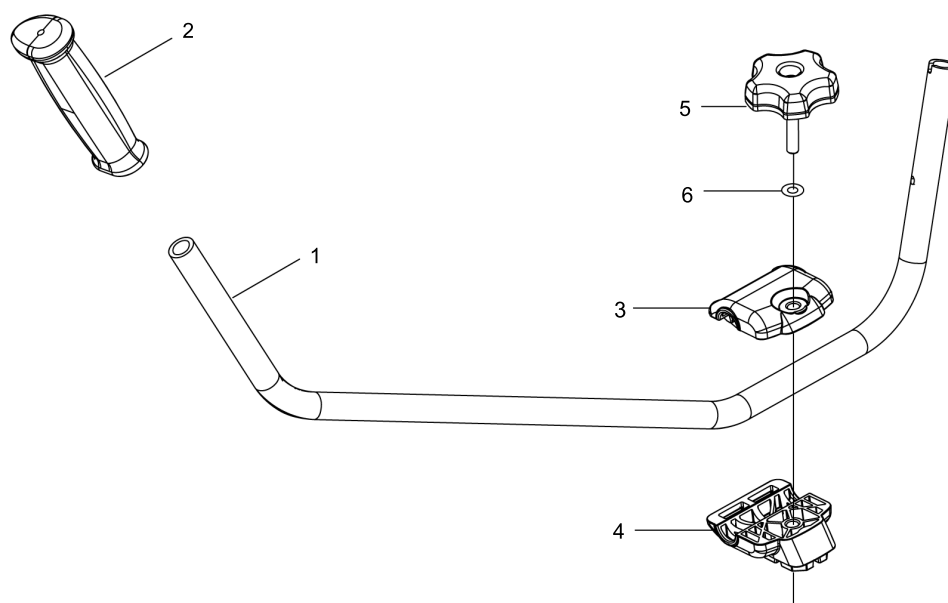
SUPPORT,HANDLE

Key No.	LV (+)	Parts Number	Parts Description	Qty	Standard	Class
1		C415-000172	SUPPORTER, HANDLE	1	SRM-420/520	C
2		V355-000750	COLLAR,8	1	SRM-420ES	C
3		V263-000020	NUT,5	2		C
4		900565-50008	NUT	1	8*1.25	
5		101538-28230	GROMMET,PLUG	1		B
6		C427-000050	STOPPER, HAMDLE	2		D
7		V150-003590	PLATE,EYE	1		C
8		C648-000030	HOLDER,LIFTING	1		D
9		V805-000150	BOLT, TORX 5	2	TB-5*16 10.9	C
10		C480-000140	GUIDE, CABLE	1		C
11		V420-004100	CUSHION	4		B
12		P200-000540	FIXTURE,CUSHION ASY	1		
13		V495-003660	BAND	1		C
14		V806-000010	BOLT, TORX 6	1	TB-6*20 10.9	C
15		V490-001220	CLIP	1		C
16		900603-00006	WASHER 6	1	6.5*13*1	

Class : Consumable class

A:Fast moving parts B:Semi-fast moving parts C:Slow moving parts D:Order only as needed

HANDLE



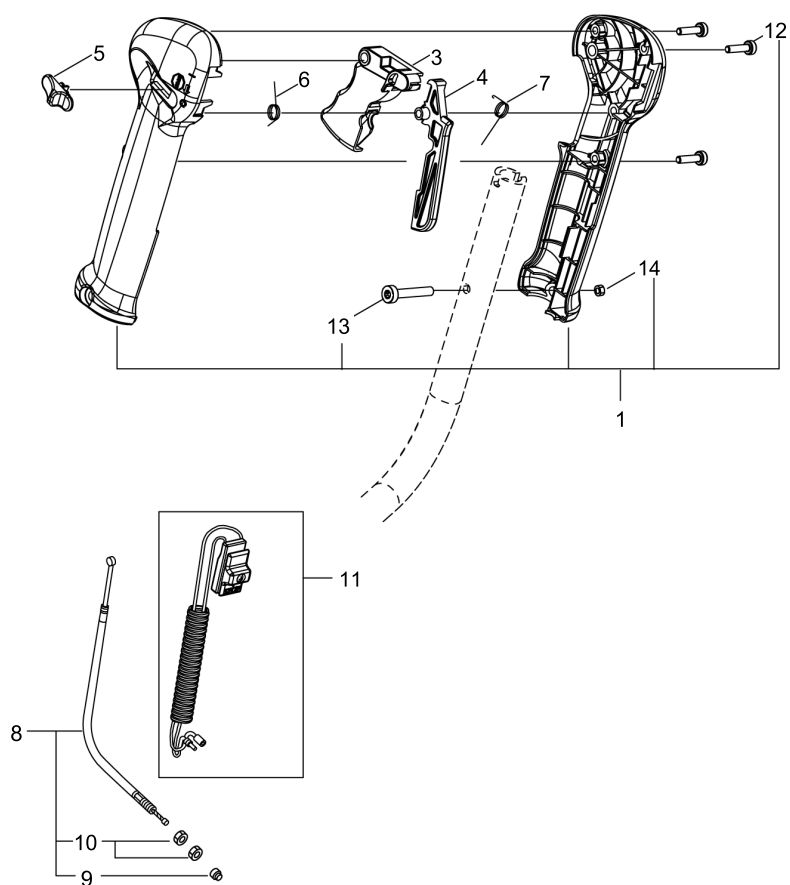
HANDLE

Key No.	LV (+)	Parts Number	Parts Description	Qty	Standard	Class
1		C400-001320	HANDLE, FRONT	1		C
2		C403-000031	GRIP,HANDLE	1		C
3		C423-000910	FIXTURE, HANDLE	1		D
4		C423-000920	FIXTURE, HANDLE	1		D
5		V299-000110	KNOB,FASTENER	1		C
6		175049-03920	WASHER	1		C

Class : Consumable class

A:Fast moving parts B:Semi-fast moving parts C:Slow moving parts D:Order only as needed

THROTTLE



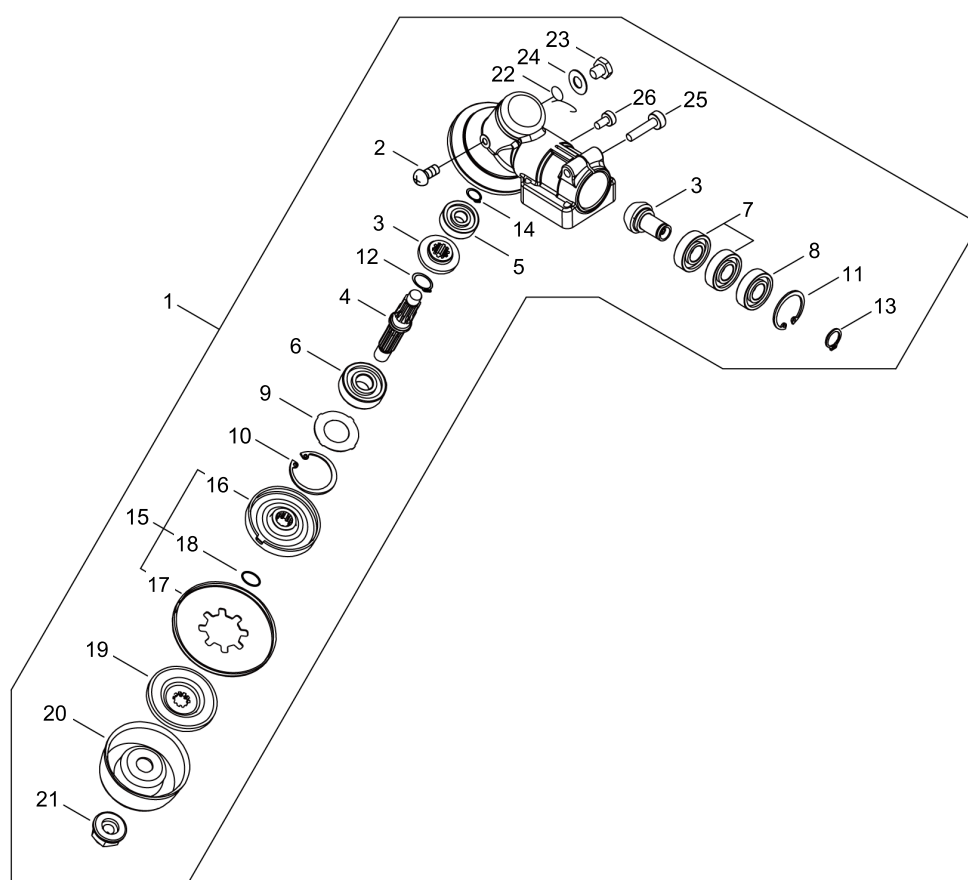
THROTTLE

Key No.	LV (+)	Parts Number	Parts Description	Qty	Standard	Class
1		P021-016210	GRIP ASY,F-HANDLE	1		
12	+	V804-000010	BOLT, TORX 4	3	TT-4*16 DG 10.9	C
13	+	V805-000050	BOLT, TORX 5	1	TB-5*30 10.9	C
14	+	900500-00005	NUT 5	1	5	
3		C450-000270	CONTROL, THROTTLE	1		C
4		C460-000111	LOCKOUT, THROTTLE	1	70MM	C
5		C463-000020	KNOB, LATCH	1		C
6		V452-000360	SPRING,TORSION	1		B
7		V452-000350	SPRING,TORSION	1		B
8		V430-004241	CABLE,BOWDEN	1		B
9	+	V494-000080	CAP	1		C
10	+	900502-00006	NUT 6 (3N)	2	3N6	
11		P021-041470	SWITCH,ON OFF ASY	1		

Class : Consumable class

A:Fast moving parts B:Semi-fast moving parts C:Slow moving parts D:Order only as needed

GEAR CASE



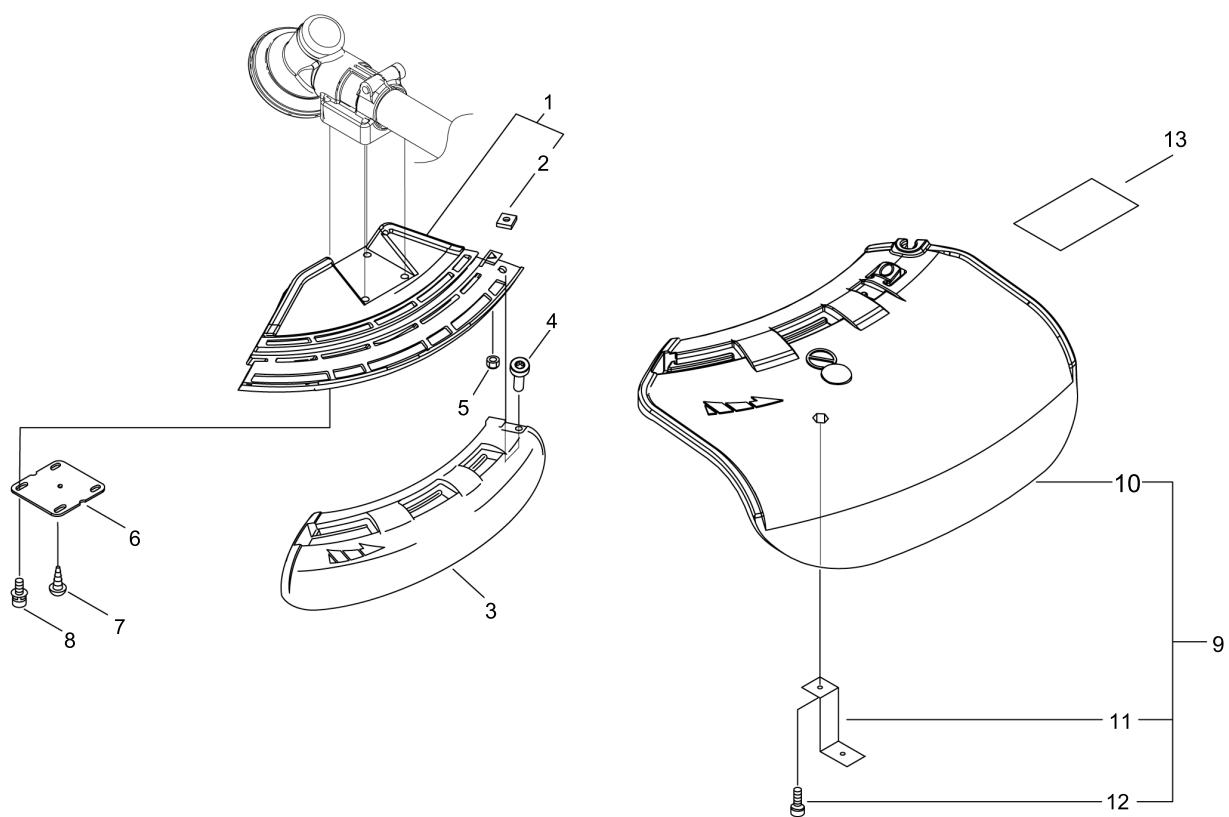
GEAR CASE

Key No.	LV (+)	Parts Number	Parts Description	Qty	Standard	Class
1		P021-043970	CASE,GEAR	1		
2	+	900220-04006	SCREW 4*6	1	4*6	
3	+	V000-000190	GEAR SET, BEVEL	1	2:1	D
4	+	C534-000940	SHAFT, GEAR	1	ハイトルク M10	D
5	+	900810-00629	BEARING, BALL 629	1	629	
6	+	900812-06302	BEARING	1	BB6302 LLU,DDU	
7	+	900800-06001	BEARING	2	6001	
8	+	900803-06001	BEARING, BALL 6001	1	6001Z	
9	+	V313-000090	WASHER,CIRCULAR 20	1		C
10	+	900702-00042	CIRCLIP 42	1	CR-42	
11	+	900702-00028	CIRCLIP 28	1	CR-28	
12	+	900706-00012	CIRCLIP 12	1	WR-12	
13	+	900701-00012	CIRCLIP 12	1	CS-12	
14	+	900701-00009	CIRCLIP 9	1	CS-9	
15	+	C535-000920	FIXTURE, BLADE	1		B
16	++	C535-000930	FIXTURE, BLADE	1		B
17	++	610352-56830	PLATE, CUP	1		B
18	++	900720-00012	O-RING 12	1	P-12	
19	+	610314-52130	PLATE, ADAPTER (L)	1		B
20	+	699229-56830	PLATE, COVER	1		B
21	+	610320-52130	NUT 10	1		B
22	+	V452-001310	SPRING,TORSION	1		B
23	+	610434-50031	BOLT 8* 8	1	M8*8	B
24	+	900603-50008	WASHER	1	8.5*18*0.8T	C
25	+	V806-000100	BOLT, TORX 6	1	TB-6*30 10.9	C
26	+	V805-000130	BOLT, TORX 5	1	TB-5*10 10.9	C

Class : Consumable class

A:Fast moving parts B:Semi-fast moving parts C:Slow moving parts D:Order only as needed

SHIELD



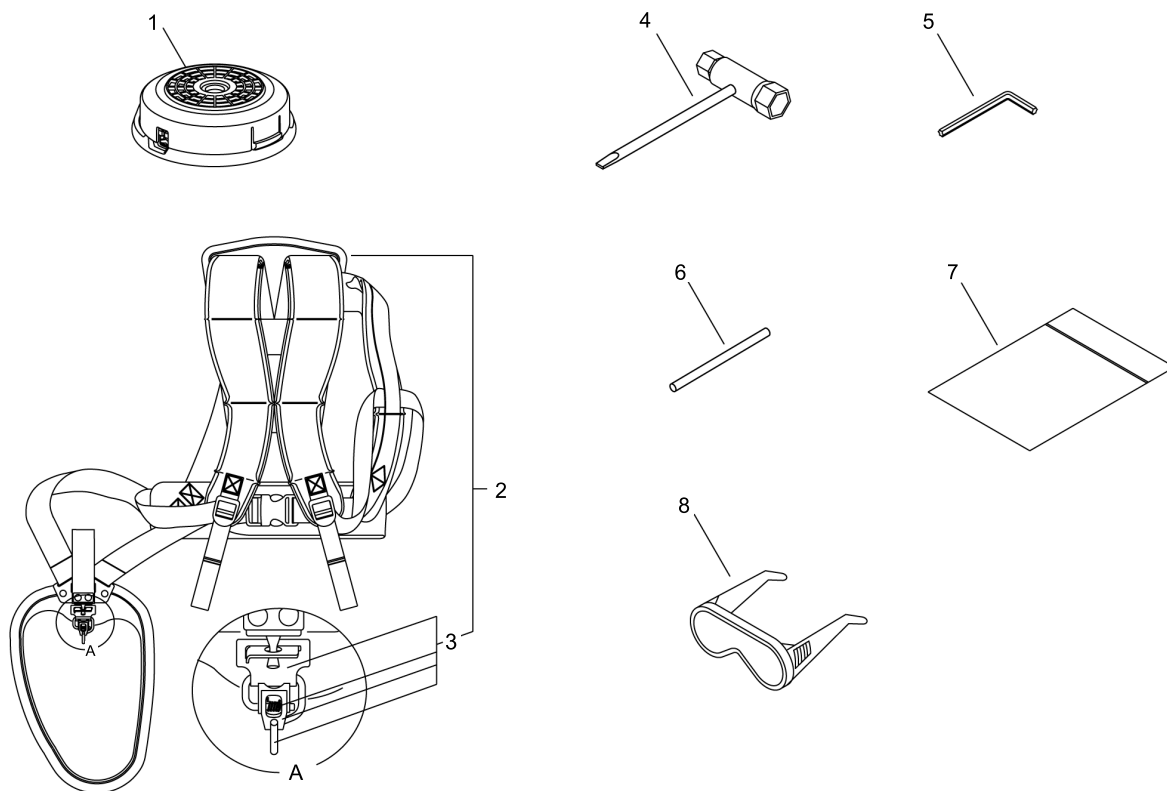
SHIELD

Key No.	LV (+)	Parts Number	Parts Description	Qty	Standard	Class
1		C550-000511	SHIELD, BLADE	1		B
2	+	900565-00005	NUT	1	5	
3		C550-000541	SHIELD, BLADE	1		B
4		V805-000170	BOLT, TORX 5	1	TB-5*25 10.9	C
5		900562-00005	NUT, LOCK	1	5	
6		C552-000200	PLATE, SHIELD	1		D
7		91316-04010	SCREW	1	M4*10	C
8		V805-000260	BOLT, TORX 5	4	TB5*25 10.9	C
9		P021-043980	SHIELD ASY, BLADE	1		
10	+	C550-000650	SHIELD, BLADE	1		B
11	+	C554-000000	KNIFE, CORD	1		B
12	+	V805-000150	BOLT, TORX 5	1	TB-5*16 10.9	C
13		X524-004680	LABEL	1	HIGH TORQUE	D

Class : Consumable class

A:Fast moving parts B:Semi-fast moving parts C:Slow moving parts D:Order only as needed

ACCESSORIES



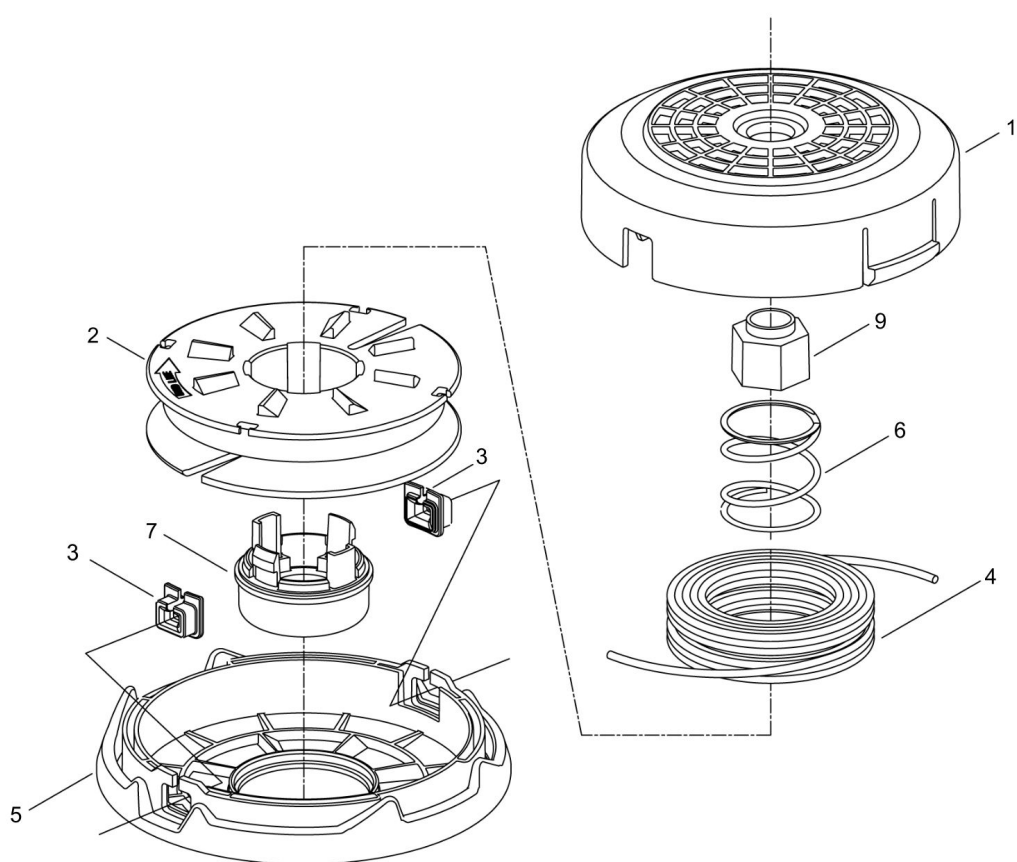
ACCESSORIES

Key No.	LV (+)	Parts Number	Parts Description	Qty	Standard	Class
1		X047-001070	CUTTER,ASM LINE	1	B6 M10L	A
2		C062-000511	HARNESS, SHOULDER	1		B
3	+	P021-041300	HOOK ASSY	1		
4		X602-000020	TOOL,WRENCH	1	17*19 L200	D
5		X605-000170	TOOL,L WRENCH	1		D
6		X606-000080	TOOL,BAR	1	5*120	D
7		898510-07130	BAG, TOOL	1		
8		X690-000080	GOGGLE	1	SI CHINA, Z87.1	D

Class : Consumable class

A:Fast moving parts B:Semi-fast moving parts C:Slow moving parts D:Order only as needed

NYLON LINE CUTTER



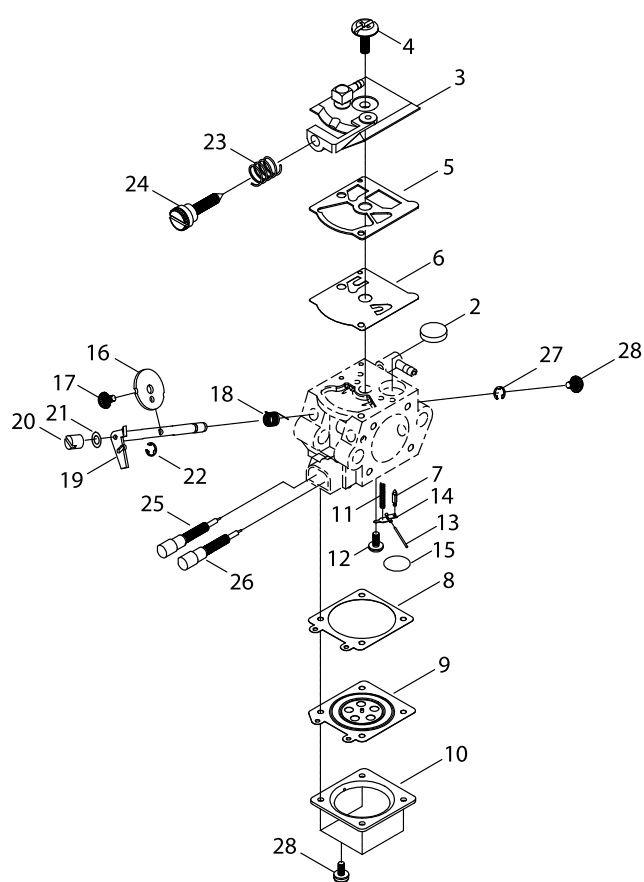
NYLON LINE CUTTER

Key No.	LV (+)	Parts Number	Parts Description	Qty	Standard	Class
		X047-001070	CUTTER,ASM LINE	1	B6 M10L	A
1	+	P022-024670	CASE	1		
2	+	P022-024660	LINE HOLDER	1		
3	+	P022-000710	EYELET	2	T4	
4	+	REFER	PRODUCT CATALOGUE	1		
5	+	P022-024640	COVER	1		
6	+	P022-035500	SPRING	1		
7	+	P022-024620	KNOB	1		
9	+	P022-023180	NUT	1		

Class : Consumable class

A:Fast moving parts B:Semi-fast moving parts C:Slow moving parts D:Order only as needed

CARBURETOR



CARBURETOR

Key No.	LV (+)	Parts Number	Parts Description	Qty	Standard	Class
		A021-003840	CARBURETOR,DIAPHRAGM	1	WT-1046	B
2	+	123126-10631	SCREEN, INLET	1		B
3	+	P003-003930	COVER, FUEL PUMP	1		
4	+	123110-03930	SCREW, PUMP COVER	1		D
5	+	123125-15030	GASKET, FUEL PUMP	1		A
6	+	P003-006270	DIAPHRAGM, FUEL PUMP	1		
7	+	123137-19830	VALVE, INLET NEEDLE	1		D
8	+	123140-03930	GASKET, M. DIAPHRAGM	1		A
9	+	P003-001850	DIAPHRAGM, METERING	1		A
10	+	123142-03930	COVER, M. DIAPHRAGM	1		D
11	+	123122-03660	SPRING, METER. LEVER	1		D
12	+	123139-03930	SCREW, M. LEVER PIN	1		D
13	+	123138-03930	PIN, METERING LEVER	1		D
14	+	123123-03930	LEVER, METERING	1		D
15	+	123146-10631	PLUG, WELCH	1		C
16	+	123116-05960	VALVE, THROTTLE	1		D
17	+	P003-002380	SCREW	1		D
18	+	123113-47530	SPRING, THR. RTN.	1		B
19	+	P003-005020	SHAFT ASM THROTTLE	1		
20	+	123172-26030	SWIVEL	1		D
21	+	123149-54230	WASHER	1		C
22	+	123127-10630	RETAINING, SPRING	1		C
23	+	123133-04260	SPRING, IDLE ADJUST	1		D
24	+	123134-04260	SCREW, IDLE ADJUST	1		D
25	+	P003-004460	NEEDLE	1		D
26	+	P003-002270	NEEDLE	1		D
27	+	123127-03930	CLIP, THROTTLE SHAFT	1		C
28	+	123130-02960	SCREW	5		D

Class : Consumable class

A:Fast moving parts B:Semi-fast moving parts C:Slow moving parts D:Order only as needed

NUMERICAL PARTS INDEX

Part No	Part description	Page	Part No	Part description	Page	Part No	Part description	Page
100012-19830	BEARING, NEEDLE	6	610434-50031	BOLT 8* 8	24	A226-001730	ELEMENT,AIR FILTER	12
100014-17330	SPACER, PISTON PIN	6	699229-56830	PLATE, COVER	24	A226-001740	ELEMENT, AIR FILTER	12
100142-12330	KEY, WOODRUFF	8	890617-43130	LABEL,CAUTION	16	A227-000040	PLATE, ELEMENT	12
100213-05530	OILSEAL	4	898510-07130	BAG, TOOL	28	A232-001620	LID,CLEANER	12
101538-28230	GROMMET,PLUG	18	900220-04006	SCREW 4*6	24	A244-000290	PLATE, PREVENT	12
123110-03930	SCREW, PUMP COVER	32	900330-40080	PIN F 4*8	4	A300-001700	MUFFLER, EXHAUST	2
123113-47530	SPRING, THR. RTN.	32	900500-00005	NUT 5	22	A313-001910	GUIDE, EXHAUST	2
123116-05960	VALVE, THROTTLE	32	900502-00006	NUT 6 (3N)	22	A320-000970	COVER,MUFFLER	4
123122-03660	SPRING, METER. LEVER	32	900562-00005	NUT, LOCK	26	A350-002020	TANK, FUEL	14
123123-03930	LEVER, METERING	32	900565-00005	NUT	26	A365-000060	CONNECTOR,CAP	14
123125-15030	GASKET, FUEL PUMP	32	900565-50008	NUT	18	A369-000001	STRAINER, FUEL	14
123126-10631	SCREEN, INLET	32	900603-00006	WASHER 6	18	A393-000300	BRACKET,FUEL TANK	4
123127-03930	CLIP, THROTTLE SHAFT	32	900603-50008	WASHER	24	A409-001210	ROTOR, MAGNETO	8
123127-10630	RETAINING, SPRING	32	900701-00009	CIRCLIP 9	24	A411-001370	COIL, IGNITION	8
123130-02960	SCREW	32	900701-00012	CIRCLIP 12	4	A425-000000	SPARKPLUG	8
123133-04260	SPRING, IDLE ADJUST	32	900701-00012	CIRCLIP 12	24	A426-000010	TERMINAL,SPARKPLUG	8
123134-04260	SCREW, IDLE ADJUST	32	900702-00028	CIRCLIP 28	4	A427-000060	CAP,SPARK PLUG	8
123137-19830	VALVE, INLET NEEDLE	32	900702-00028	CIRCLIP 28	24	A429-000090	COVER,CAP	8
123138-03930	PIN, METERING LEVER	32	900702-00042	CIRCLIP 42	24	A514-000280	PAWL	8
123139-03930	SCREW, M. LEVER PIN	32	900706-00012	CIRCLIP 12	24	A552-000390	HUB, CLUTCH	6
123140-03930	GASKET, M. DIAPHRAGM	32	900720-00012	O-RING 12	24	A553-000170	ARM, CLUTCH	6
123142-03930	COVER, M. DIAPHRAGM	32	900800-06001	BEARING	24	A556-001540	DRUM, CLUTCH	4
123146-10631	PLUG, WELCH	32	900803-06001	BEARING, BALL 6001	24	A557-000190	SHAFT, CLUTCH	6
123149-54230	WASHER	32	900810-00629	BEARING, BALL 629	24	A566-000230	SPRING, CLUTCH	6
123172-26030	SWIVEL	32	900812-06302	BEARING	24	A570-000290	CASE,CLUTCH	4
123181-39130	PUMP, PRIMER	12	900888-36201	BEARING, BALL 6201	4	C050-002440	PIPE, MAIN	16
130110-16430	PIPE, IMPULSE	14	91316-04010	SCREW	26	C062-000511	HARNES, SHOULDER	28
130111-00530	CLIP	14	92105-08000	NUT, FLANGE	8	C400-001320	HANDLE, FRONT	20
130113-12330	CONNECTER	4	94018-46001	BEARING, BALL	4	C403-000031	GRIP,HANDLE	20
131016-55830	GASKET, FUEL CAP	14	A011-001230	CRANKSHAFT,ASY	6	C415-000172	SUPPORTER, HANDLE	18
131300-56431	VENT ASSEMBLY, FUEL	14	A021-003840	CARBURETOR, DIAPHRAGM	12	C423-000910	FIXTURE, HANDLE	20
131328-40630	COVER, VENT	14	A021-003840	CARBURETOR, DIAPHRAGM	32	C423-000920	FIXTURE, HANDLE	20
131920-61830	CUSHION, FUEL TANK	4	A051-002630	STARTER,RECOIL ASY	10	C427-000050	STOPPER, HAMDLE	18
132115-55930	GROMMET, FUEL	14	A101-000160	RING, PISTON	6	C450-000270	CONTROL, THROTTLE	22
145862-40630	SCREEN, MUFFLER	2	A130-002070	CYLINDER	2	C460-000111	LOCKOUT, THROTTLE	22
156110-04920	BUSHING	4	A160-002620	COVER,CYLINDER	4	C463-000020	KNOB, LATCH	22
156114-07320	GROMMET	4	A160-002631	COVER,CYLINDER	4	C480-000140	GUIDE, CABLE	18
159116-21231	CLAMP	4	A172-002240	COVER,FAN	10	C487-000410	HOLDER, CABLE	12
175049-03920	WASHER	20	A175-000330	STAND	14	C534-000940	SHAFT, GEAR	24
177228-27030	GRIP, STARTER	10	A200-000990	INSULATOR, INTAKE	2	C535-000920	FIXTURE, BLADE	24
177247-04630	SPACER, RATCHET	8	A202-000250	BELLOWS, INTAKE	2	C535-000930	FIXTURE, BLADE	24
610011-49931	SHAFT, DRIVE	16	A209-000720	PLATE, INSULATOR	12	C550-000511	SHIELD,BLADE	26
610314-52130	PLATE, ADAPTER (L)	24	A209-000730	PLATE, INSULATOR	12	C550-000541	SHIELD, BLADE	26
610320-52130	NUT 10	24	A209-000740	PLATE, INSULATOR	4	C550-000650	SHIELD, BLADE	26
610352-56830	PLATE, CUP	24				C552-000200	PLATE, SHIELD	26

NUMERICAL PARTS INDEX

Part No	Part description	Page	Part No	Part description	Page	Part No	Part description	Page
C554-000000	KNIFE,CORD	26	V150-003590	PLATE,EYE	18	V805-000150	BOLT, TORX 5	8
C648-000030	HOLDER,LIFTING	18	V186-000510	JOINT,PIPE	14	V805-000150	BOLT, TORX 5	18
P003-001850	DIAPHRAGM, METERING	32	V253-000100	SCREW,5	12	V805-000150	BOLT, TORX 5	26
P003-002270	NEEDLE	32	V263-000020	NUT,5	18	V805-000160	BOLT, TORX 5	4
P003-002380	SCREW	32	V299-000110	KNOB,FASTENER	20	V805-000170	BOLT, TORX 5	4
P003-003930	COVER, FUEL PUMP	32	V313-000090	WASHER,CIRCULAR 20	24	V805-000170	BOLT, TORX 5	26
P003-004460	NEEDLE	32	V353-000630	COLLAR,5	8	V805-000210	BOLT, TORX 5	2
P003-005020	SHAFT ASM THROTTLE	32	V355-000750	COLLAR,8	18	V805-000250	BOLT, TORX 5	2
P003-006270	DIAPHRAGM, FUEL PUMP	32	V376-001980	SPACER	6	V805-000260	BOLT, TORX 5	4
P021-012210	CAP,FUEL ASY	14	V420-004100	CUSHION	18	V805-000260	BOLT, TORX 5	26
P021-016210	GRIP ASY,F-HANDLE	22	V423-000090	HOLDER,CUSHION	4	V805-000290	BOLT, TORX 5	4
P021-041130	CLUTCH SHOE SET	6	V430-004241	CABLE,BOWDEN	22	V806-000010	BOLT, TORX 6	18
P021-041140	CLUTCH ASY	6	V452-000350	SPRING,TORSION	22	V806-000050	BOLT, TORX 6	2
P021-041300	HOOK ASSY	28	V452-000360	SPRING,TORSION	22	V806-000100	BOLT, TORX 6	24
P021-041380	CRANKCASE SET	4	V452-001310	SPRING,TORSION	24	V835-000000	BOLT, TORX 5	4
P021-041390	PISTON KIT	6	V452-001470	SPRING,TORSION	8	V835-000000	BOLT, TORX 5	14
P021-041410	CLEANER CASE ASY	12	V453-000230	SPRING,FLAT	6	V835-000010	BOLT, TORX 5	2
P021-041470	SWITCH,ON OFF ASY	22	V470-000840	PIPE	14	V835-000030	BOLT, TORX 5	2
P021-043970	CASE,GEAR	24	V471-002310	PIPE	14	V835-000030	BOLT, TORX 5	10
P021-043980	SHIELD ASY, BLADE	26	V471-003950	PIPE	14	X047-001070	CUTTER,ASM LINE	28
P022-000710	EYELET	30	V471-004040	PIPE	4	X047-001070	CUTTER,ASM LINE	30
P022-004680	SPRING, SPIRAL	10	V471-004050	PIPE	12	X502-000900	LABEL,ECHO	10
P022-023100	ROPE, STARTER	10	V475-007540	TUBE	8	X505-002310	LABEL,CAUTION	4
P022-023110	SCREW	10	V475-007550	TUBE	8	X524-001901	LABEL	12
P022-023120	SPRING,DAMPER	10	V475-007610	TUBE	4	X524-004680	LABEL	26
P022-023140	DRUM, STARTER	10	V475-007610	TUBE	14	X547-002380	LABEL,ECHO	4
P022-023180	NUT	30	V485-002331	LEAD	8	X602-000020	TOOL,WRENCH	28
P022-024620	KNOB	30	V485-002570	LEAD	4	X605-000170	TOOL,L WRENCH	28
P022-024640	COVER	30	V490-000440	CLIP	12	X606-000080	TOOL,BAR	28
P022-024660	LINE HOLDER	30	V490-001220	CLIP	18	X690-000080	GOGGLE	28
P022-024670	CASE	30	V490-001240	CLIP	14			
P022-033830	CAM	10	V494-000080	CAP	22			
P022-035500	SPRING	30	V495-003660	BAND	18			
P200-000540	FIXTURE,CUSHION ASY	18	V505-000020	SEAL,OIL 12	4			
REFER	PRODUCT CATALOGUE	30	V541-000540	SEAL	4			
V000-000190	GEAR SET, BEVEL	24	V580-000010	RING,END	6			
V100-000760	GASKET,CYL	2	V608-000000	PIN,ENG 10	6			
V102-000250	GASKET,CRANKCASE	4	V804-000010	BOLT, TORX 4	22			
V103-000471	GASKET,INTAKE	12	V804-000030	BOLT, TORX 4	2			
V103-001610	GASKET,INTAKE	12	V805-000050	BOLT, TORX 5	22			
V103-001620	GASKET,INTAKE	2	V805-000100	BOLT, TORX 5	12			
V104-002020	GASKET,EXHAUST	2	V805-000130	BOLT, TORX 5	4			
V104-002030	GASKET,EXHAUST	2	V805-000130	BOLT, TORX 5	24			
V104-002040	GASKET,EXHAUST	2	V805-000140	BOLT, TORX 5	8			
			V805-000150	BOLT, TORX 5	4			