

PB-265ESLT

Serial Number

38000001-38999999

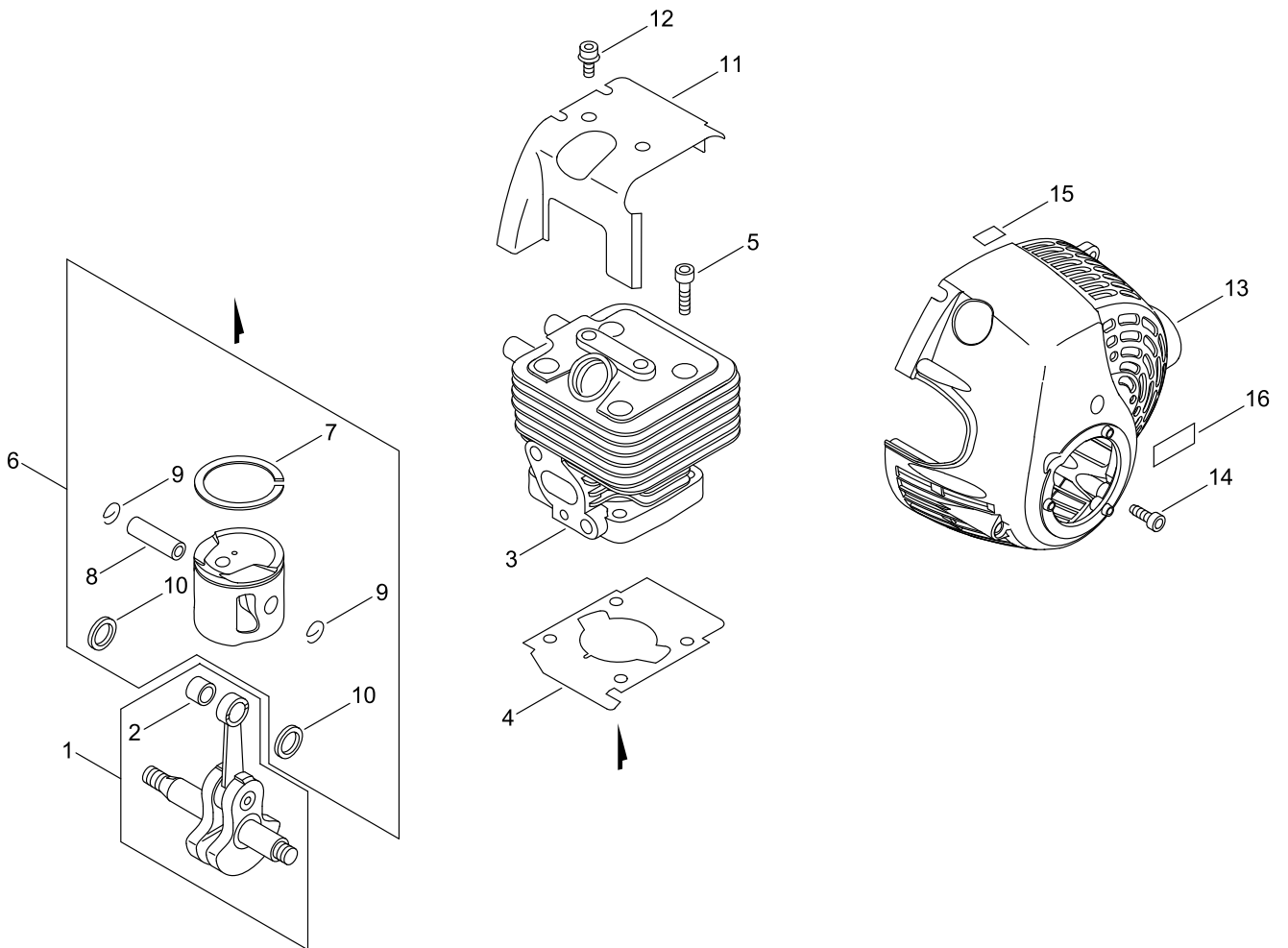
Last updated date

15/Jan/2023

TABLE OF CONTENTS

CYLINDER, PISTON, CRANKSHAFT	1
CRANKCASE	3
MAGNETO.....	5
AIR CLEANER, CARBURETOR.....	7
CARBURETOR.....	9
FUEL TANK	11
MUFFLER.....	13
RECOIL STARTER, PULLY	15
FAN CASE	17
BACKPACK HARNESS	19
THROTTLE.....	21
PIPE	23
ACCESSORIES	25

CYLINDER, PISTON, CRANKSHAFT



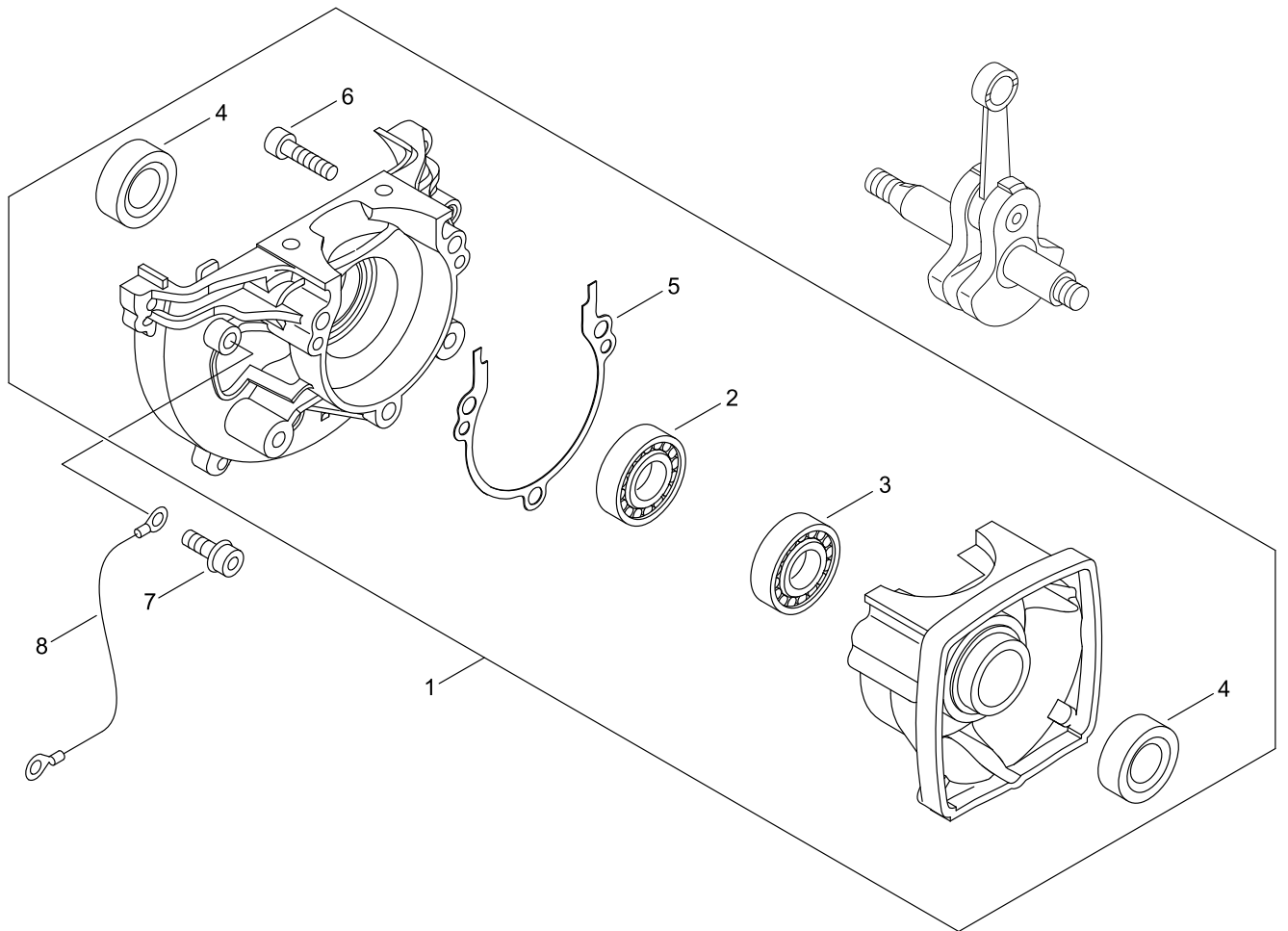
CYLINDER, PISTON, CRANKSHAFT

Key No.	LV (+)	Parts Number	Parts Description	Qty	Standard	Class
1		A011-000371	CRANKSHAFT,ASM	1		D
2	+	V553-000010	BEARING,NEEDLE 8	1	HK0810	B
3		A130-000780	CYLINDER	1		D
4		V100-000190	GASKET,CYL	1		B
5		900162-05025	BOLT, H.S. 5*25	4	5*25 W,SW	
6		P021-010260	PISTON KIT	1		
7	+	A101-000140	RING, PISTON	1	B1.2 T1.5	B
8	+	V606-000000	PIN,ENG 8	1	5*8*28	D
9	+	100015-04630	CIRCLIP, PISTON PIN	2		C
10	+	100014-11520	SPACER, PISTON PIN	2		C
11		A160-000771	COVER,CYLINDER	1		C
12		900106-05008	BOLT, H.S. 5* 8	2	5*8	
13		A190-000581	COVER,ENGINE	1		C
14		91145-05016	BOLT HS TAPPING	7	5*16	
15		X505-002310	LABEL,CAUTION	1	HOT CAUTION	D
16		X503-011880	LABEL,MODEL	1		D

Class : Consumable class

A:Fast moving parts B:Semi-fast moving parts C:Slow moving parts D:Order only as needed

CRANKCASE



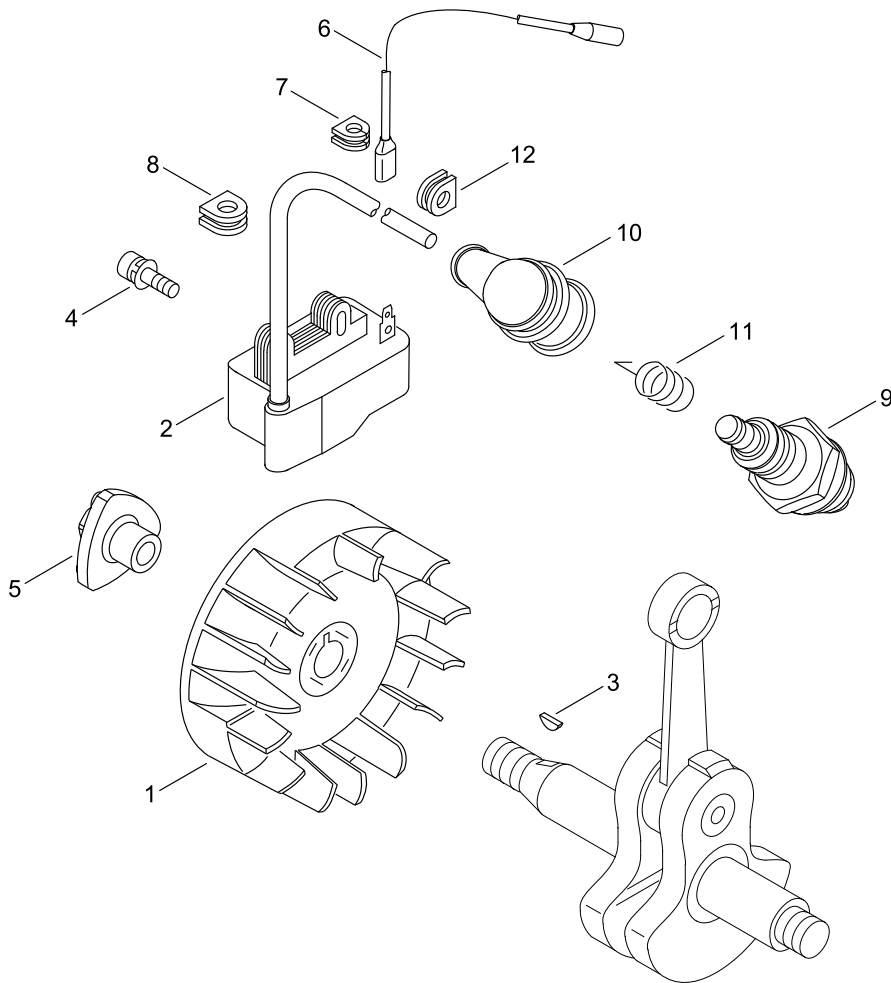
CRANKCASE

Key No.	LV (+)	Parts Number	Parts Description	Qty	Standard	Class
1		P021-008231	CRANKCASE KIT	1		
2	+	94035-36201	BEARING BALL	1	6201X3JR2C3	
3	+	94035-36201	BEARING BALL	1	6201X3JR2C3	
4	+	100212-42031	OILSEAL	2	ISCD 12*22*4.5	C
5	+	100242-42030	GASKET, CRANKCASE	1		B
6	+	900162-05028	BOLT, H.S. 5*28	3	5*28 W,SW	
7		900106-05008	BOLT, H.S. 5* 8	1	5*8	
8		V485-000800	LEAD	1	L:90	C

Class : Consumable class

A:Fast moving parts B:Semi-fast moving parts C:Slow moving parts D:Order only as needed

MAGNETO



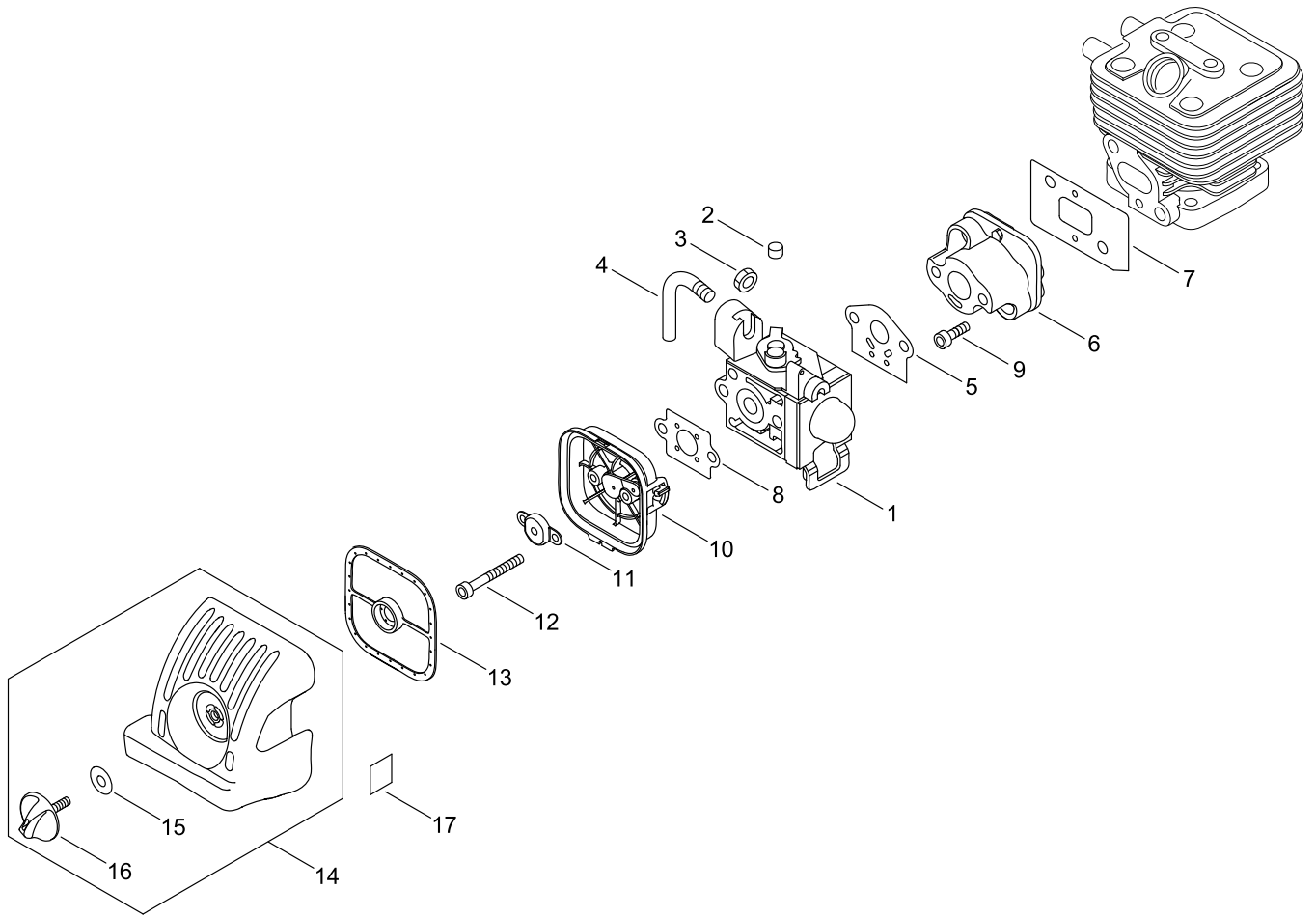
MAGNETO

Key No.	LV (+)	Parts Number	Parts Description	Qty	Standard	Class
1		A409-001280	ROTOR,MAGNETO	1		C
2		A411-000291	COIL, IGNITION	1	EMG-60 ID#C10146	C
3		100142-12330	KEY, WOODRUFF	1		C
4		91113-04020	BOLT	2	CM-4*20 SW,W	
5		E101-000122	HUB,FAN	1		C
6		V485-000740	LEAD	1		C
7		152115-05530	BUSHING	1		C
8		156110-04920	BUSHING	1		C
9		A425-000000	SPARKPLUG	1	BPMR8Y	A
10		A427-000013	CAP,SPARK PLUG	1		C
11		A426-000010	TERMINAL,SPARKPLUG	1		C
12		156110-04920	BUSHING	1		C

Class : Consumable class

A:Fast moving parts B:Semi-fast moving parts C:Slow moving parts D:Order only as needed

AIR CLEANER, CARBURETOR



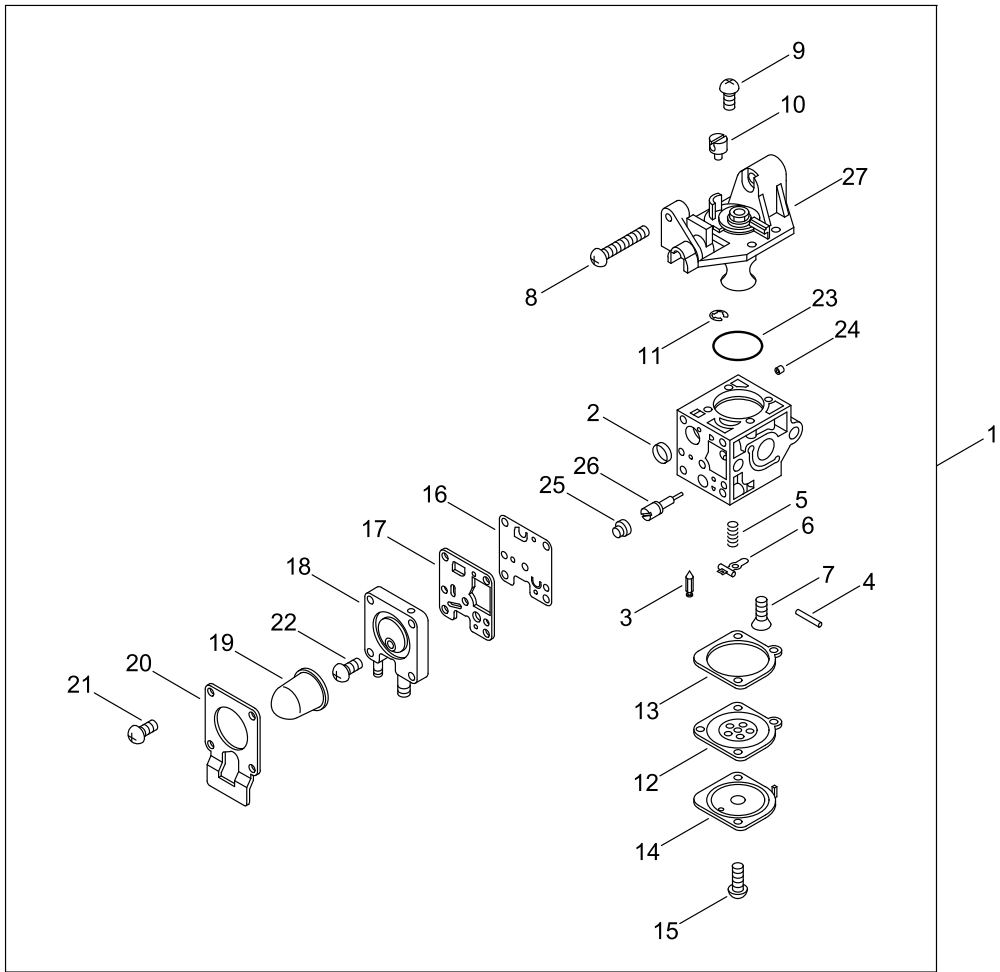
AIR CLEANER, CARBURETOR

Key No.	LV (+)	Parts Number	Parts Description	Qty	Standard	Class
1		A021-001352	CARBURETOR,DIAPHRAGM	1	RB-K85	B
2		A259-000010	CAP,LIMITER	1		B
3		92003-07000	NUT	1	3N-7*0.75	
4		C482-000040	CONNECTOR, CABLE	1		C
5		130010-13410	GASKET, INTAKE	1		A
6		A200-000280	INSULATOR, INTAKE	1		C
7		V103-000300	GASKET,INTAKE	1	T:0.5	A
8		130016-42031	GASKET, INTAKE	1		A
9		900162-05025	BOLT, H.S. 5*25	2	5*25 W,SW	
10		P100-004390	CASE,CLEANER	1		
11		A244-000070	PLATE,PREVENT	1		C
12		900105-05060	BOLT, H.S. 5*60	2	5*60	
13		A226-000473	ELEMENT, AIR FILTER	1		A
14		P100-007110	CLEANER COVER ASY	1		
15	+	131911-03460	WASHER	1		C
16	+	V299-000250	KNOB,FASTENER	1		C
17		X506-000090	LABEL,CHOKE	1		D

Class : Consumable class

A:Fast moving parts B:Semi-fast moving parts C:Slow moving parts D:Order only as needed

CARBURETOR



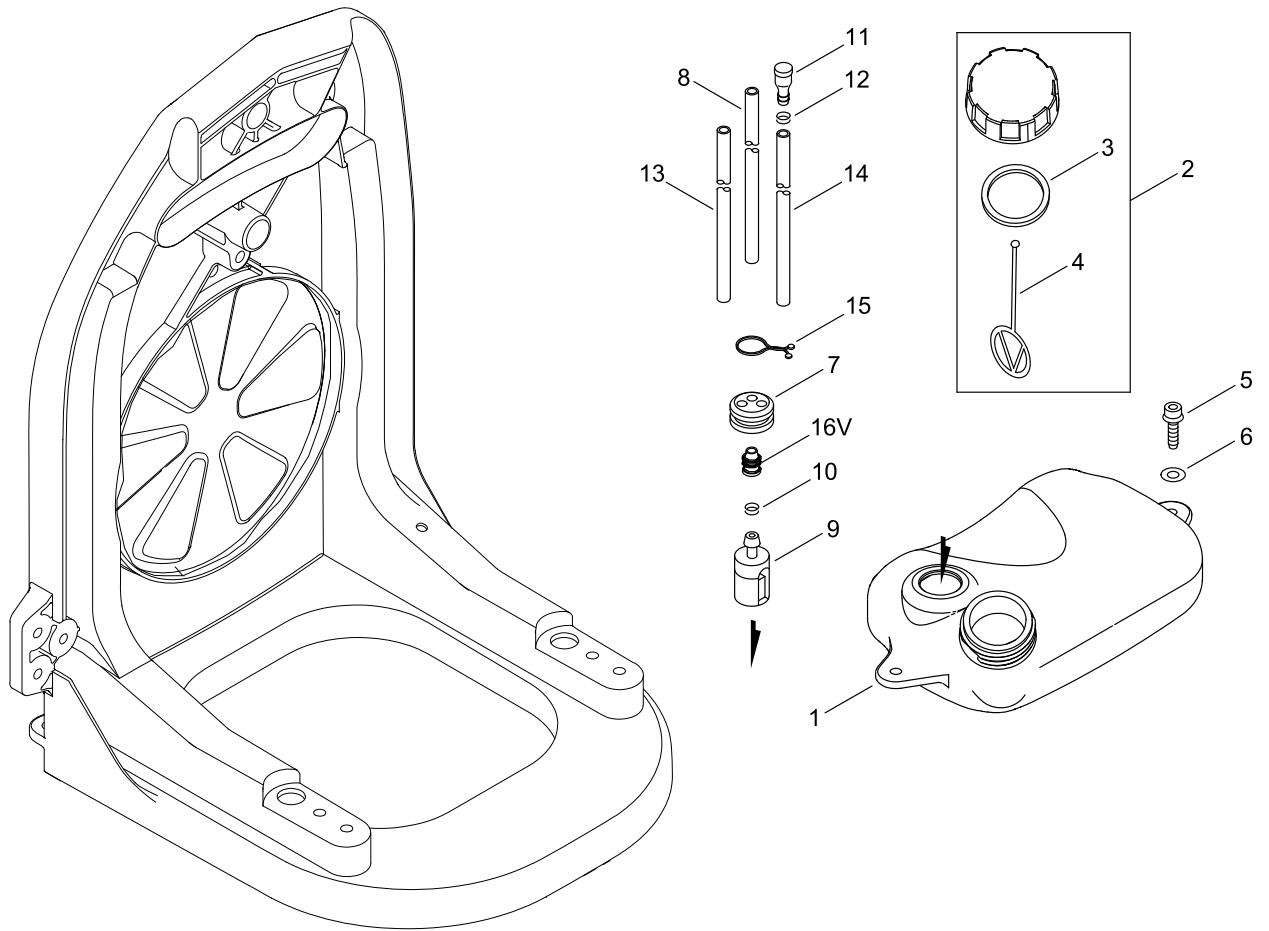
CARBURETOR

Key No.	LV (+)	Parts Number	Parts Description	Qty	Standard	Class
1		A021-001352	CARBURETOR,DIAPHRAGM	1	RB-K85	B
2	+	P005-000010	STRAINER	1		
3	+	125337-08260	VALVE, INLET NEEDLE	1		D
4	+	125338-13930	PIN, METERING ARM	1		D
5	+	P005-000940	SPRING, METER. LEVER	1		
6	+	125323-08260	ARM, VALVE	1		
7	+	125339-42030	SCREW	1		B
8	+	P005-000100	SCREW,THROTTLEADJUST	1		
9	+	125344-13931	SCREW	3		D
10	+	P005-001240	POST	1		
11	+	P005-000190	E-RING	1		D
12	+	P005-002230	DIAPHRAGM ,METERING	1		A
13	+	P005-000200	GASKET, METERING	1		A
14	+	125342-52130	COVER, DIAPHRAGM	1		D
15	+	125344-52130	SCREW	2		D
16	+	P005-000510	DIAPHRAGM, PUMP	1		A
17	+	P005-000520	GASKET, PUMP	1		A
18	+	P005-001890	BASE, ASY PRIMER	1		
19	+	P005-003110	PUMP, PRIMER	1		
20	+	P005-000250	RETAINER	1		
21	+	P005-001900	SCREW	4		D
22	+	P005-000270	SCREW	1		
23	+	P005-000280	O-RING	1		
24	+	P005-001000	ROLLER, GUIDE	1		D
25	+	P005-001250	RETAINER,PLUG BALL	1		
26	+	P005-001260	SCREW,MAINN MIXTURE	1		
27	+	P005-002000	COVER ASY, ROTOR	1		

Class : Consumable class

A:Fast moving parts B:Semi-fast moving parts C:Slow moving parts D:Order only as needed

FUEL TANK



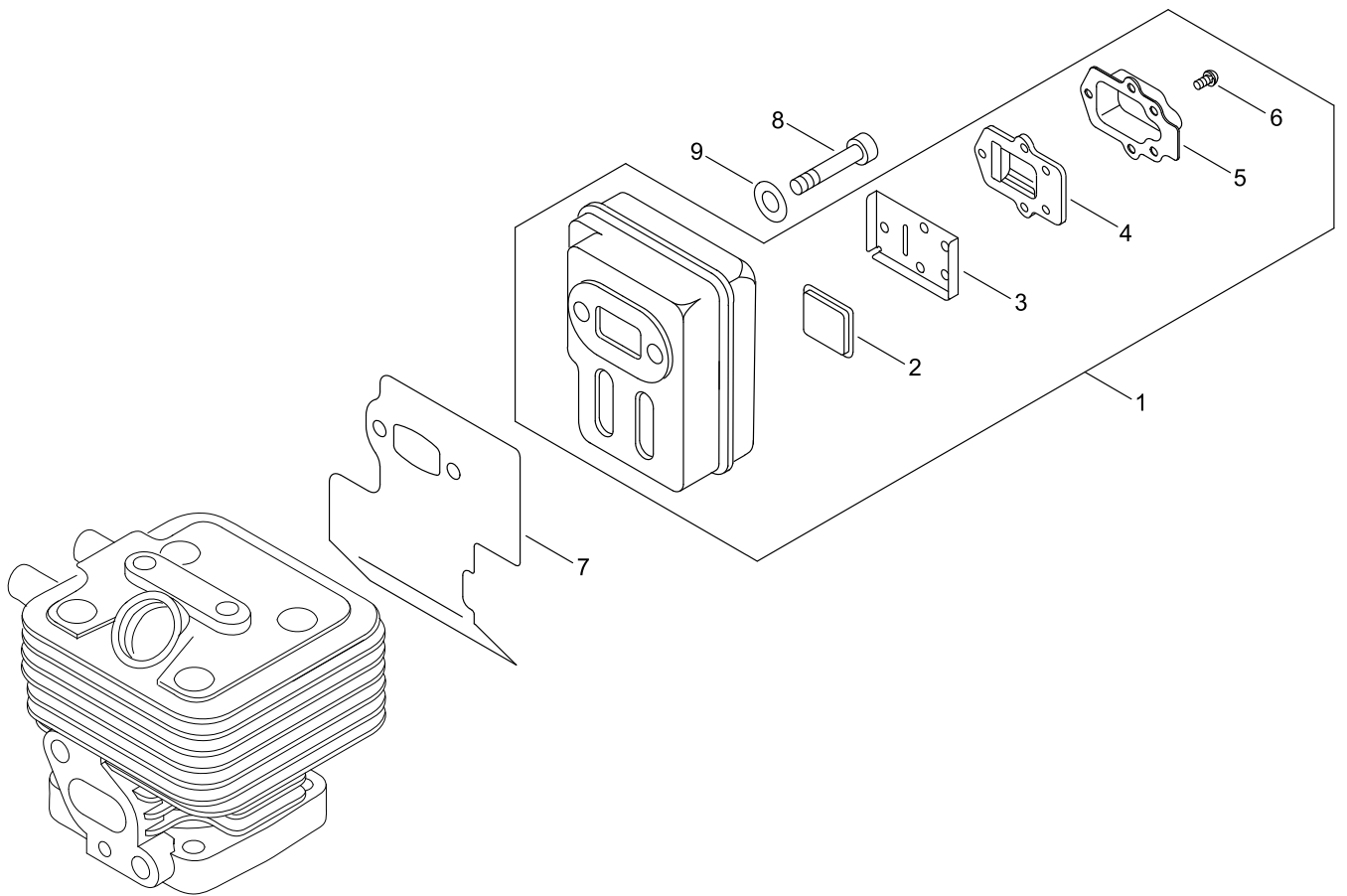
FUEL TANK

Key No.	LV (+)	Parts Number	Parts Description	Qty	Standard	Class
1		A350-000560	TANK, FUEL	1		C
2		P100-006640	CAP,FUEL ASY	1		
3	+	V107-000190	GASKET,FUEL CAP	1	37.9* T 2.2	A
4	+	131051-56030	CLIP, FUEL CAP	1	100L	B
5		91147-05020	BOLT, TAPPING	2	5*20	
6		613019-07350	WASHER 5.5*16*2T	2	5.5*16*2T	C
7		132115-55931	GROMMET, FUEL	1	3 φ5	C
8		V471-001231	PIPE	1	3*5*210	C
9		A369-000480	STRAINER, FUEL	1	125-959	A
10		V490-001240	CLIP	1		C
11		A356-000031	VALVE,CHECK	1		B
12		V490-001240	CLIP	1		C
13		V471-003000	PIPE	1	3*6*125	C
14		V471-001201	PIPE	1	3*5*70	C
15		132013-05060	CLIP, PIPE	1		C
16V		A413-000190	BOOT	1		C

Class : Consumable class

A:Fast moving parts B:Semi-fast moving parts C:Slow moving parts D:Order only as needed

MUFFLER



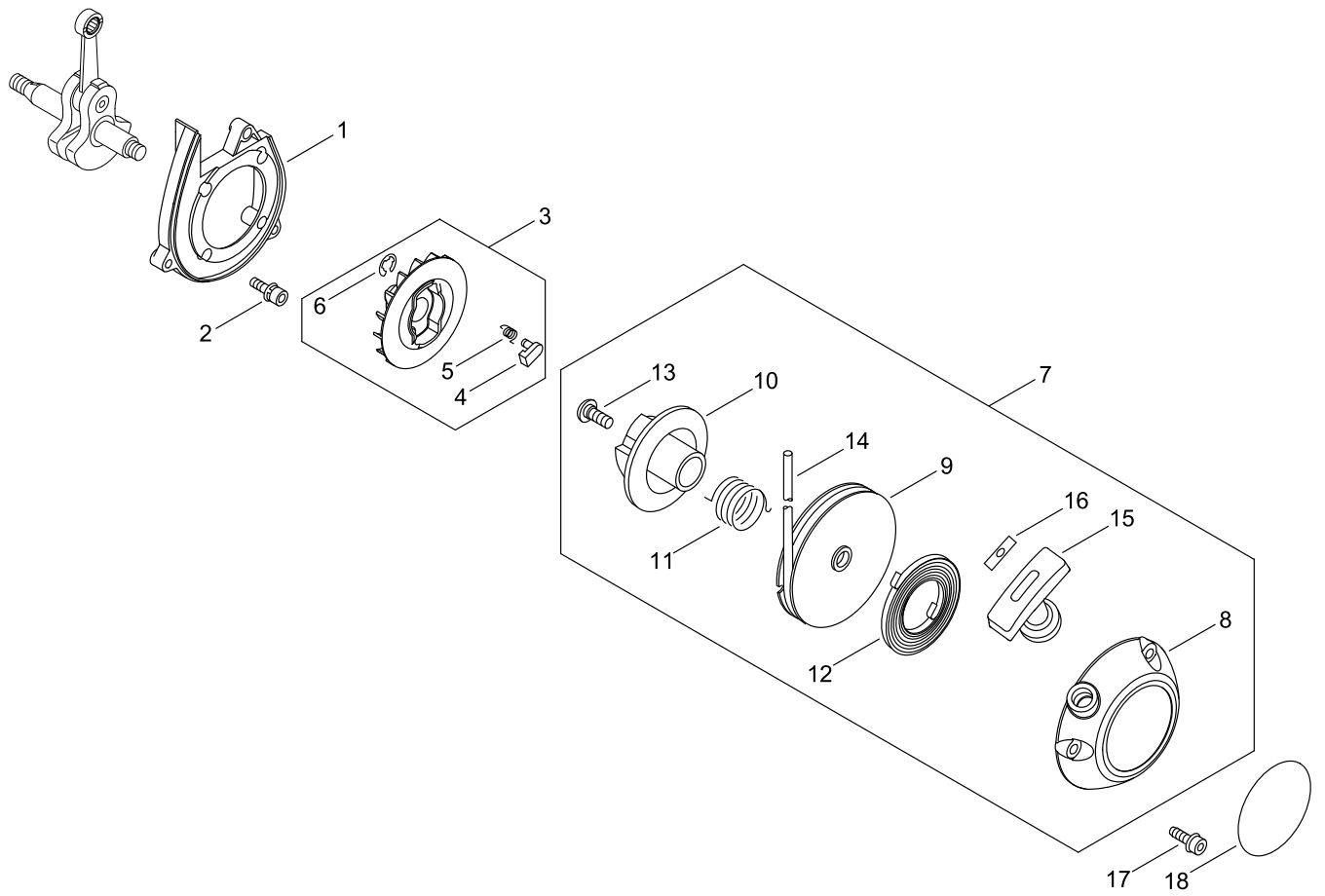
MUFFLER

Key No.	LV (+)	Parts Number	Parts Description	Qty	Standard	Class
1		P100-007120	MUFFLER ASY	1		
2	+	A310-000070	SCREEN, ARRESTOR	1	22*28*3	B
3	+	V104-000840	GASKET,EXHAUST	1		A
4	+	A313-000840	GUIDE, EXHAUST	1	20.5*3	C
5	+	A313-001800	GUIDE, EXHAUST	1		C
6	+	91367-04010	SCREW	5	4*10/SW(SUS)	C
7		V104-000750	GASKET,EXHAUST	1	NP7003	A
8		V203-000190	BOLT,5	2	AN A2-70	C
9		900603-00005	WASHER 5	2	5.5*12*0.8	

Class : Consumable class

A:Fast moving parts B:Semi-fast moving parts C:Slow moving parts D:Order only as needed

RECOIL STARTER, PULLY



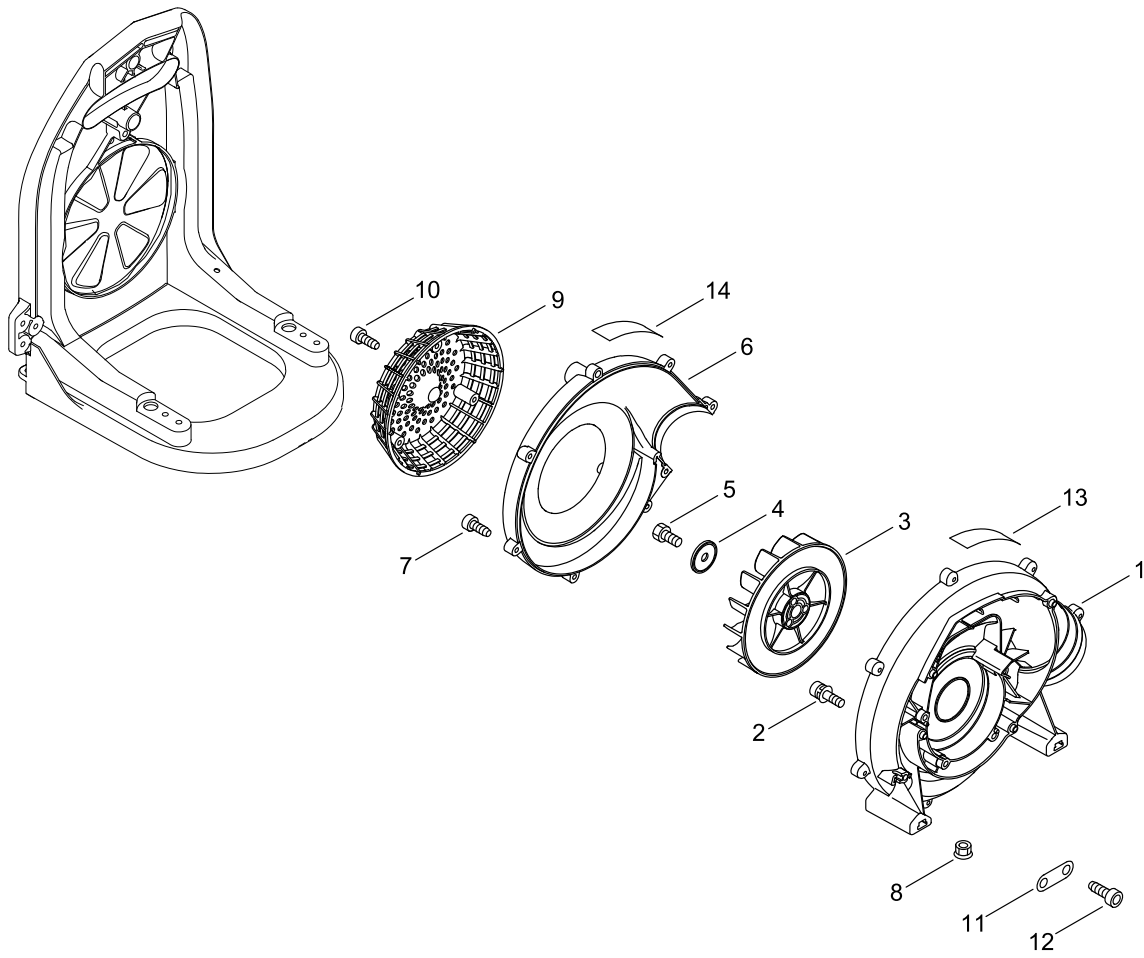
RECOIL STARTER, PULLY

Key No.	LV (+)	Parts Number	Parts Description	Qty	Standard	Class
1		V376-000830	SPACER	1		C
2		900163-04016	BOLT HSH	4		
3		A052-000250	PULLEY,ASM STARTER	1		C
4	+	P022-006850	PAWL, STARTER	2		C
5	+	P022-006510	SPRING, RETURN	2		C
6	+	P022-002100	E-RING	2	4	C
7		A051-002720	STARTER,RECOIL	1		B
8	+	P022-049440	CASE,STARTER	1		
9	+	P022-027980	DRUM, STARTER	1		
10	+	P022-028000	PLATE, CAM	1		
11	+	P022-008270	SPRING,DAMPER	1		C
12	+	177220-42030	SPRING, REWIND	1		B
13	+	177236-61830	SCREW	1		C
14	+	P022-008260	ROPE	1	3M/M	
15	+	177228-27030	GRIP, STARTER	1		C
16	+	P022-037670	STOPPER, ROPE	1		C
17		91145-05016	BOLT HS TAPPING	3	5*16	
18		X502-000330	LABEL,ECHO	1	ECHO	D

Class : Consumable class

A:Fast moving parts B:Semi-fast moving parts C:Slow moving parts D:Order only as needed

FAN CASE



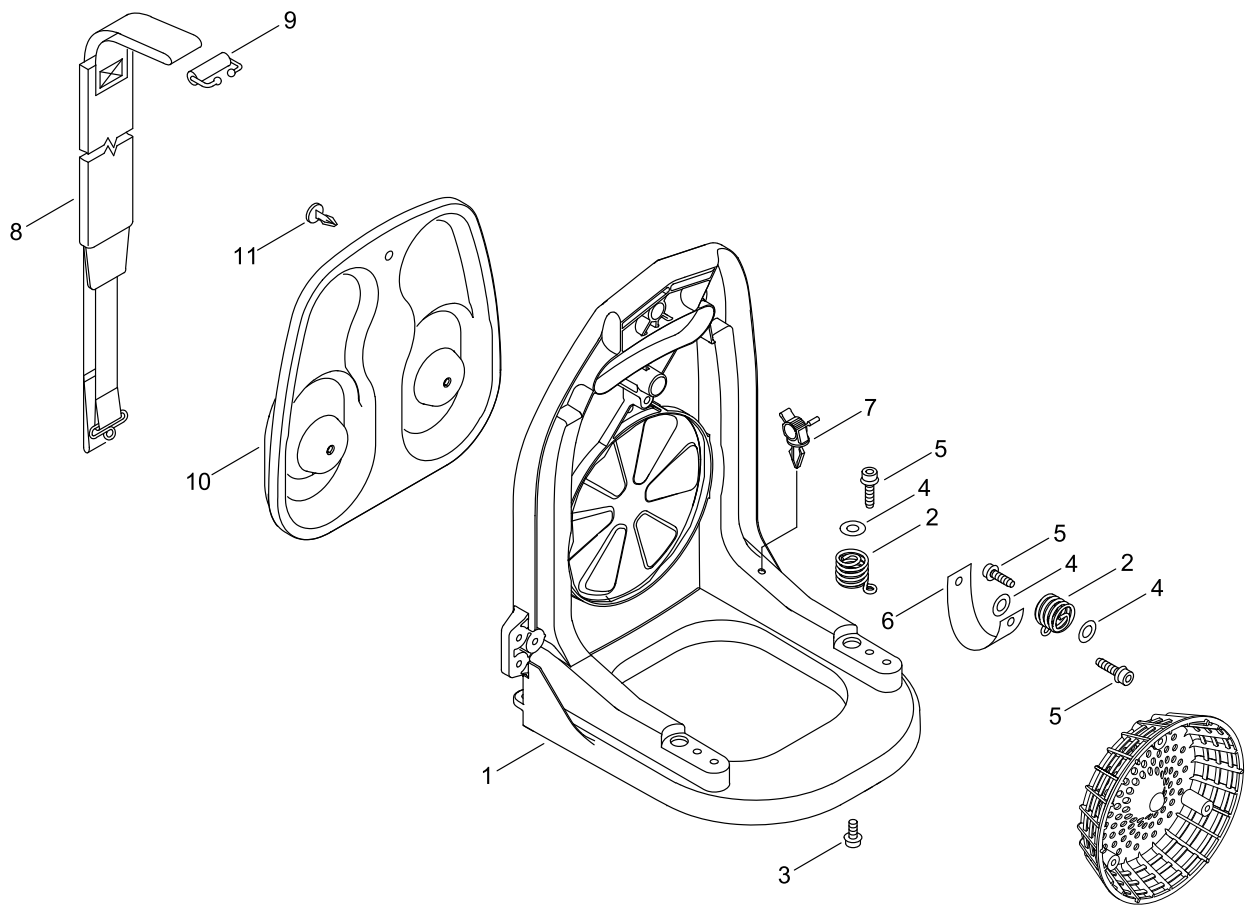
FAN CASE

Key No.	LV (+)	Parts Number	Parts Description	Qty	Standard	Class
1		E103-000380	CASE,FAN	1		C
2		900162-04020	BOLT, H.S. 4*20	4	4*20 W,SW	
3		E100-000260	FAN,BLOWER	1		C
4		100143-19830	WASHER	1	8.2*31*0.8	C
5		900100-08014	BOLT 8*14	1	8*14	
6		E103-000390	CASE,FAN	1		C
7		91145-05020	BOLT HS TAPPING	8	5*20	
8		V263-000070	NUT,5	2		C
9		E104-000071	GRID, BLOWER	1		C
10		91145-05020	BOLT HS TAPPING	3	5*20	
11		V150-001350	PLATE,EYE	1		C
12		91145-05016	BOLT HS TAPPING	1	5*16	
13		X505-010790	LABEL,CAUTION	1		D
14		X505-007910	LABEL,CAUTION	1		D

Class : Consumable class

A:Fast moving parts B:Semi-fast moving parts C:Slow moving parts D:Order only as needed

BACKPACK HARNESS



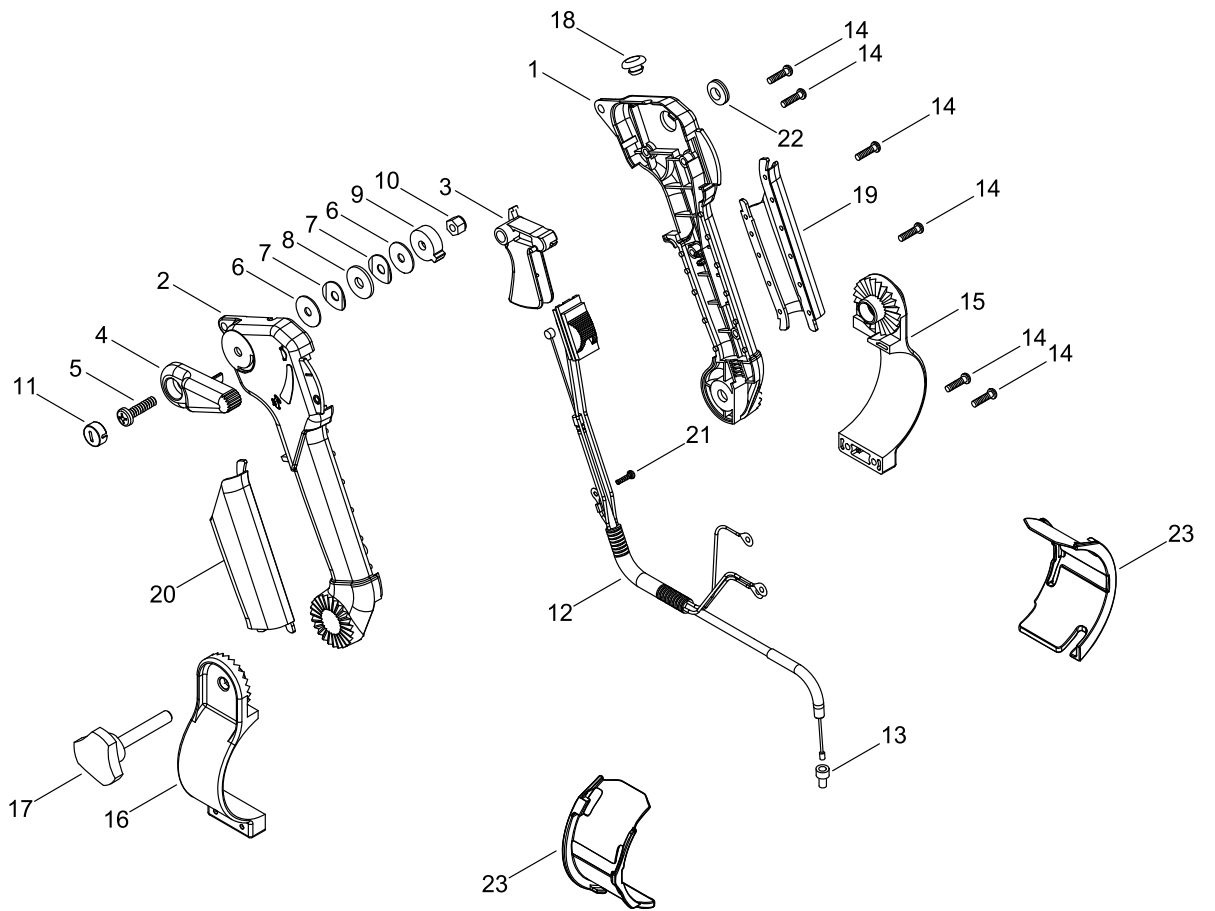
BACKPACK HARNESS

Key No.	LV (+)	Parts Number	Parts Description	Qty	Standard	Class
1		C620-000290	FRAME,BACKPACK	1		C
2		V450-000551	SPRING,COMPRESSION	3		B
3		900106-05014	BOLT, H.S. 5*14	2	5*14	
4		613019-07350	WASHER 5.5*16*2T	4	5.5*16*2T	C
5		91147-05020	BOLT HS FL TAPP	4		
6		C617-000380	STOPPER	1	T:1.2X100	C
7		V491-000110	CLIP	1	.308/.433 CABLE	C
8		C061-000190	HARNESS,ASM BACKPACK	2		B
9		V491-000040	CLIP	2		C
10		C630-000040	SEAT, BACKPACK	1		C
11		300333-06160	CLIP	3		C

Class : Consumable class

A:Fast moving parts B:Semi-fast moving parts C:Slow moving parts D:Order only as needed

THROTTLE



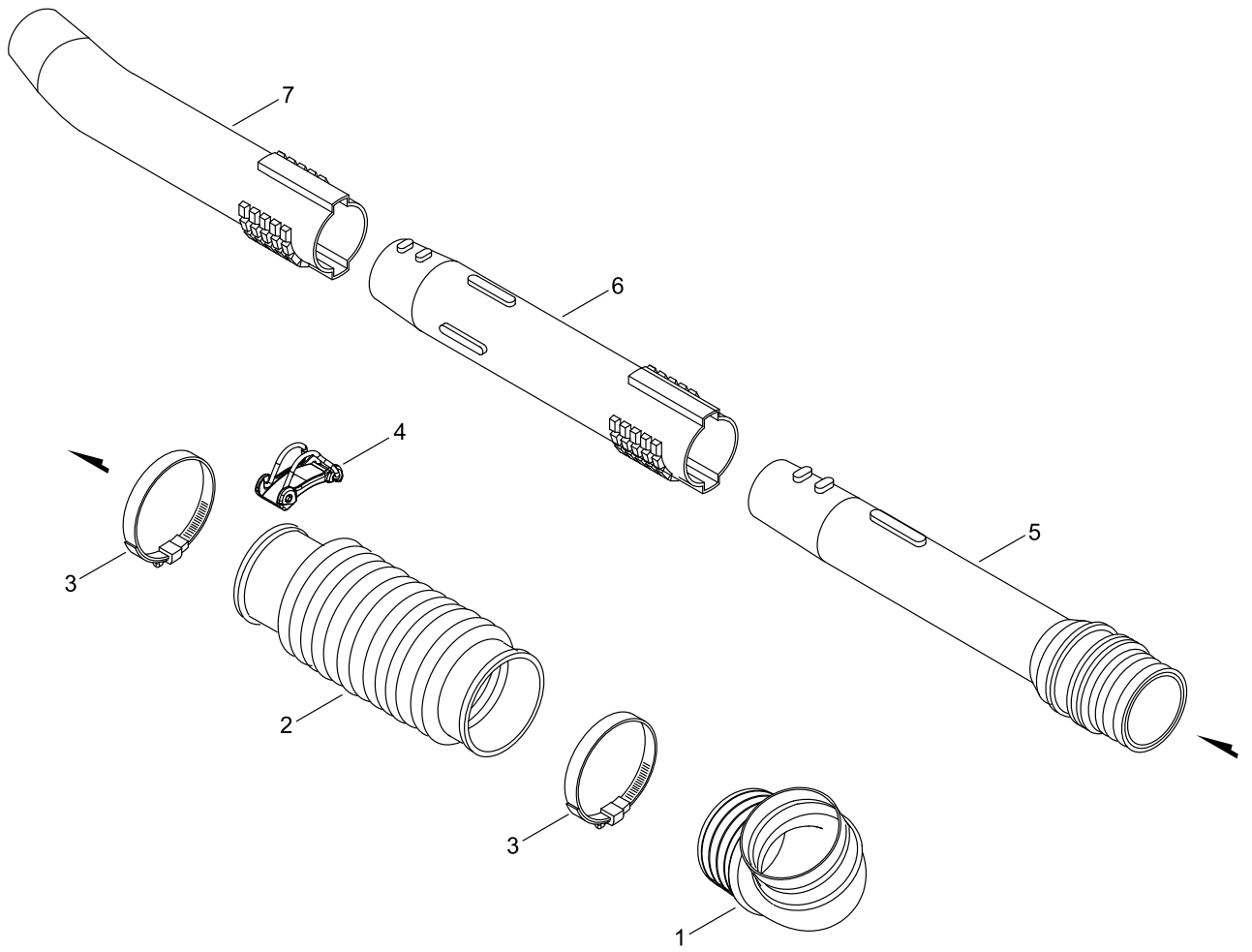
THROTTLE

Key No.	LV (+)	Parts Number	Parts Description	Qty	Standard	Class
1		C400-000571	HANDLE, FRONT	1	RIGHT	C
2		C400-000581	HANDLE, FRONT	1	LEFT	C
3		C450-000770	TRIGGER,THROTTLE	1		C
4		C453-000450	LEVER,THROTTLE	1		C
5		V204-000260	ADJUST BOLT	1		C
6		V304-000110	WASHER	2		C
7		V453-000110	ADJ SPRING	2		C
8		V304-000120	WASHER	1		C
9		C472-000070	PLATE	1		C
10		V264-000080	NYLON NUT	1		C
11		V162-000330	RUBBER CAP	1		C
12		V043-000920	CABLE ASY, CONTROL	1		B
13		V494-000820	CAP	1		C
14		V252-000070	SCREW	6		C
15		C405-000380	BAND RIGHT	1		C
16		C405-000390	BAND LEFT	1		C
17		V299-000330	KNOB BOLT	1		C
18		V162-000340	PLUG	1		C
19		C412-000240	GRIP	1		C
20		C412-000250	GRIP	1		C
21		V251-000030	SCREW	1		C
22		101578-38431	PLUG	1		B
23		E281-000010	COLLAR,BLOW PIPE	2		C

Class : Consumable class

A:Fast moving parts B:Semi-fast moving parts C:Slow moving parts D:Order only as needed

PIPE



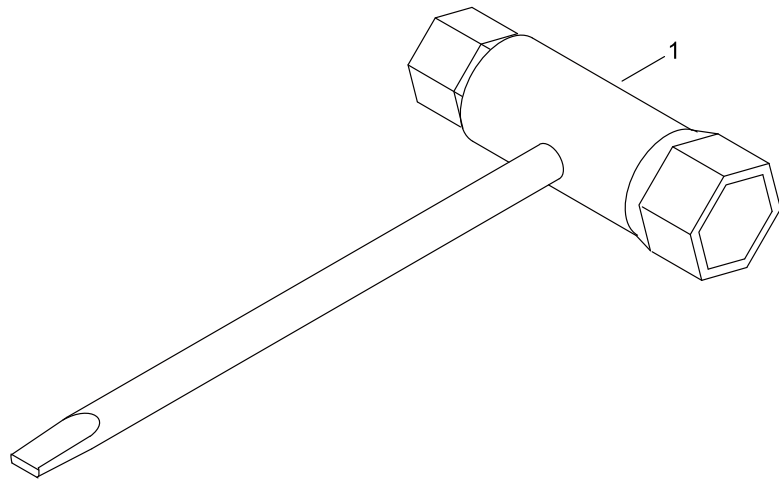
PIPE

Key No.	LV (+)	Parts Number	Parts Description	Qty	Standard	Class
1		E160-000111	PIPE,MAIN	1		B
2		E164-000130	PIPE,FLEXIBLE	1		B
3		V495-000430	BAND	2	58.7MM / 82.5MM	C
4		C487-000420	HOLDER, CABLE	1	CABLE HOLDER ASM	C
5		E165-000800	PIPE,BLOWER	1		B
6		E165-000141	PIPE,BLOWER	1	418MM * 73/79MM	B
7		E165-000160	PIPE,BLOWER	1	418MM*65/79MM	B

Class : Consumable class

A:Fast moving parts B:Semi-fast moving parts C:Slow moving parts D:Order only as needed

ACCESSORIES



ACCESSORIES

Key No.	LV (+)	Parts Number	Parts Description	Qty	Standard	Class
1		895410-06961	WRENCH, W/S-DRIVER	1	13X19 L135	D

Class : Consumable class

A:Fast moving parts B:Semi-fast moving parts C:Slow moving parts D:Order only as needed

NUMERICAL PARTS INDEX

Part No	Part description	Page	Part No	Part description	Page	Part No	Part description	Page
100014-11520	SPACER, PISTON PIN	2	91147-05020	BOLT, TAPPING	12	C630-000040	SEAT, BACKPACK	20
100015-04630	CIRCLIP, PISTON PIN	2	91147-05020	BOLT HS FL TAPP	20	E100-000260	FAN,BLOWER	18
100142-12330	KEY, WOODRUFF	6	91367-04010	SCREW	14	E101-000122	HUB,FAN	6
100143-19830	WASHER	18	92003-07000	NUT	8	E103-000380	CASE,FAN	18
100212-42031	OILSEAL	4	94035-36201	BEARING BALL	4	E103-000390	CASE,FAN	18
100242-42030	GASKET, CRANKCASE	4	A011-000371	CRANKSHAFT,ASM	2	E104-000071	GRID, BLOWER	18
101578-38431	PLUG	22	A021-001352	CARBURETOR, DIAPHRAGM	8	E160-000111	PIPE,MAIN	24
125323-08260	ARM, VALVE	10	A021-001352	CARBURETOR, DIAPHRAGM	10	E164-000130	PIPE,FLEXIBLE	24
125337-08260	VALVE, INLET NEEDLE	10	A051-002720	STARTER,RECOIL	16	E165-000141	PIPE,BLOWER	24
125338-13930	PIN, METERING ARM	10	A052-000250	PULLEY,ASM STARTER	16	E165-000160	PIPE,BLOWER	24
125339-42030	SCREW	10	A101-000140	RING, PISTON	2	E165-000800	PIPE,BLOWER	24
125342-52130	COVER, DIAPHRAGM	10	A130-000780	CYLINDER	2	E281-000010	COLLAR,BLOW PIPE	22
125344-13931	SCREW	10	A160-000771	COVER,CYLINDER	2	P005-000010	STRAINER	10
125344-52130	SCREW	10	A190-000581	COVER,ENGINE	2	P005-000100	SCREW, THROTTLEADJUST	10
130010-13410	GASKET, INTAKE	8	A200-000280	INSULATOR, INTAKE	8	P005-000190	E-RING	10
130016-42031	GASKET, INTAKE	8	A226-000473	ELEMENT, AIR FILTER	8	P005-000200	GASKET, METERING	10
131051-56030	CLIP, FUEL CAP	12	A244-000070	PLATE,PREVENT	8	P005-000250	RETAINER	10
131911-03460	WASHER	8	A259-000010	CAP,LIMITER	8	P005-000270	SCREW	10
132013-05060	CLIP, PIPE	12	A310-000070	SCREEN, ARRESTOR	14	P005-000280	O-RING	10
132115-55931	GROMMET, FUEL	12	A313-000840	GUIDE, EXHAUST	14	P005-000510	DIAPHRAGM, PUMP	10
152115-05530	BUSHING	6	A313-001800	GUIDE, EXHAUST	14	P005-000520	GASKET, PUMP	10
156110-04920	BUSHING	6	A350-000560	TANK, FUEL	12	P005-000940	SPRING, METER. LEVER	10
177220-42030	SPRING, REWIND	16	A356-000031	VALVE,CHECK	12	P005-001000	ROLLER, GUIDE	10
177228-27030	GRIP, STARTER	16	A369-000480	STRAINER, FUEL	12	P005-001240	POST	10
177236-61830	SCREW	16	A409-001280	ROTOR,MAGNETO	6	P005-001250	RETAINER,PLUG BALL	10
300333-06160	CLIP	20	A411-000291	COIL, IGNITION	6	P005-001260	SCREW,MAINN MIXTURE	10
613019-07350	WASHER 5.5*16*2T	12	A413-000190	BOOT	12	P005-001890	BASE, ASY PRIMER	10
613019-07350	WASHER 5.5*16*2T	20	A425-000000	SPARKPLUG	6	P005-001900	SCREW	10
895410-06961	WRENCH, W/S-DRIVER	26	A426-000010	TERMINAL,SPARKPLUG	6	P005-002000	COVER ASY, ROTOR	10
900100-08014	BOLT 8*14	18	A427-000013	CAP,SPARK PLUG	6	P005-002230	DIAPHRAGM ,METERING	10
900105-05060	BOLT, H.S. 5*60	8	C061-000190	HARNES,ASM BACKPACK	20	P005-003110	PUMP, PRIMER	10
900106-05008	BOLT, H.S. 5* 8	2	C400-000571	HANDLE, FRONT	22	P021-008231	CRANKCASE KIT	4
900106-05008	BOLT, H.S. 5* 8	4	C400-000581	HANDLE, FRONT	22	P021-010260	PISTON KIT	2
900106-05014	BOLT, H.S. 5*14	20	C405-000380	BAND RIGHT	22	P022-002100	E-RING	16
900162-04020	BOLT, H.S. 4*20	18	C405-000390	BAND LEFT	22	P022-006510	SPRING, RETURN	16
900162-05025	BOLT, H.S. 5*25	2	C412-000240	GRIP	22	P022-006850	PAWL, STARTER	16
900162-05025	BOLT, H.S. 5*25	8	C412-000250	GRIP	22	P022-008260	ROPE	16
900162-05028	BOLT, H.S. 5*28	4	C450-000770	TRIGGER,THROTTLE	22	P022-008270	SPRING,DAMPER	16
900163-04016	BOLT HSH	16	C453-000450	LEVER,THROTTLE	22	P022-027980	DRUM, STARTER	16
900603-00005	WASHER 5	14	C472-000070	PLATE	22	P022-028000	PLATE, CAM	16
91113-04020	BOLT	6	C482-000040	CONNECTOR, CABLE	8	P022-037670	STOPPER, ROPE	16
91145-05016	BOLT HS TAPPING	2	C487-000420	HOLDER, CABLE	24	P022-049440	CASE,STARTER	16
91145-05016	BOLT HS TAPPING	16	C617-000380	STOPPER	20	P100-004390	CASE,CLEANER	8
91145-05016	BOLT HS TAPPING	18	C620-000290	FRAME,BACKPACK	20	P100-006640	CAP,FUEL ASY	12
91145-05020	BOLT HS TAPPING	18						

NUMERICAL PARTS INDEX

Part No	Part description	Page
P100-007110	CLEANER COVER ASY	8
P100-007120	MUFFLER ASY	14
V043-000920	CABLE ASY, CONTROL	22
V100-000190	GASKET,CYL	2
V103-000300	GASKET,INTAKE	8
V104-000750	GASKET,EXHAUST	14
V104-000840	GASKET,EXHAUST	14
V107-000190	GASKET,FUEL CAP	12
V150-001350	PLATE,EYE	18
V162-000330	RUBBER CAP	22
V162-000340	PLUG	22
V203-000190	BOLT,5	14
V204-000260	ADJUST BOLT	22
V251-000030	SCREW	22
V252-000070	SCREW	22
V263-000070	NUT,5	18
V264-000080	NYLON NUT	22
V299-000250	KNOB,FASTENER	8
V299-000330	KNOB BOLT	22
V304-000110	WASHER	22
V304-000120	WASHER	22
V376-000830	SPACER	16
V450-000551	SPRING,COMPRESSION	20
V453-000110	ADJ SPRING	22
V471-001201	PIPE	12
V471-001231	PIPE	12
V471-003000	PIPE	12
V485-000740	LEAD	6
V485-000800	LEAD	4
V490-001240	CLIP	12
V491-000040	CLIP	20
V491-000110	CLIP	20
V494-000820	CAP	22
V495-000430	BAND	24
V553-000010	BEARING,NEEDLE 8	2
V606-000000	PIN,ENG 8	2
X502-000330	LABEL,ECHO	16
X503-011880	LABEL,MODEL	2
X505-002310	LABEL,CAUTION	2
X505-007910	LABEL,CAUTION	18
X505-010790	LABEL,CAUTION	18
X506-000090	LABEL,CHOKE	8