

HCR-165ES

Serial Number

U64240000001-U64240999999

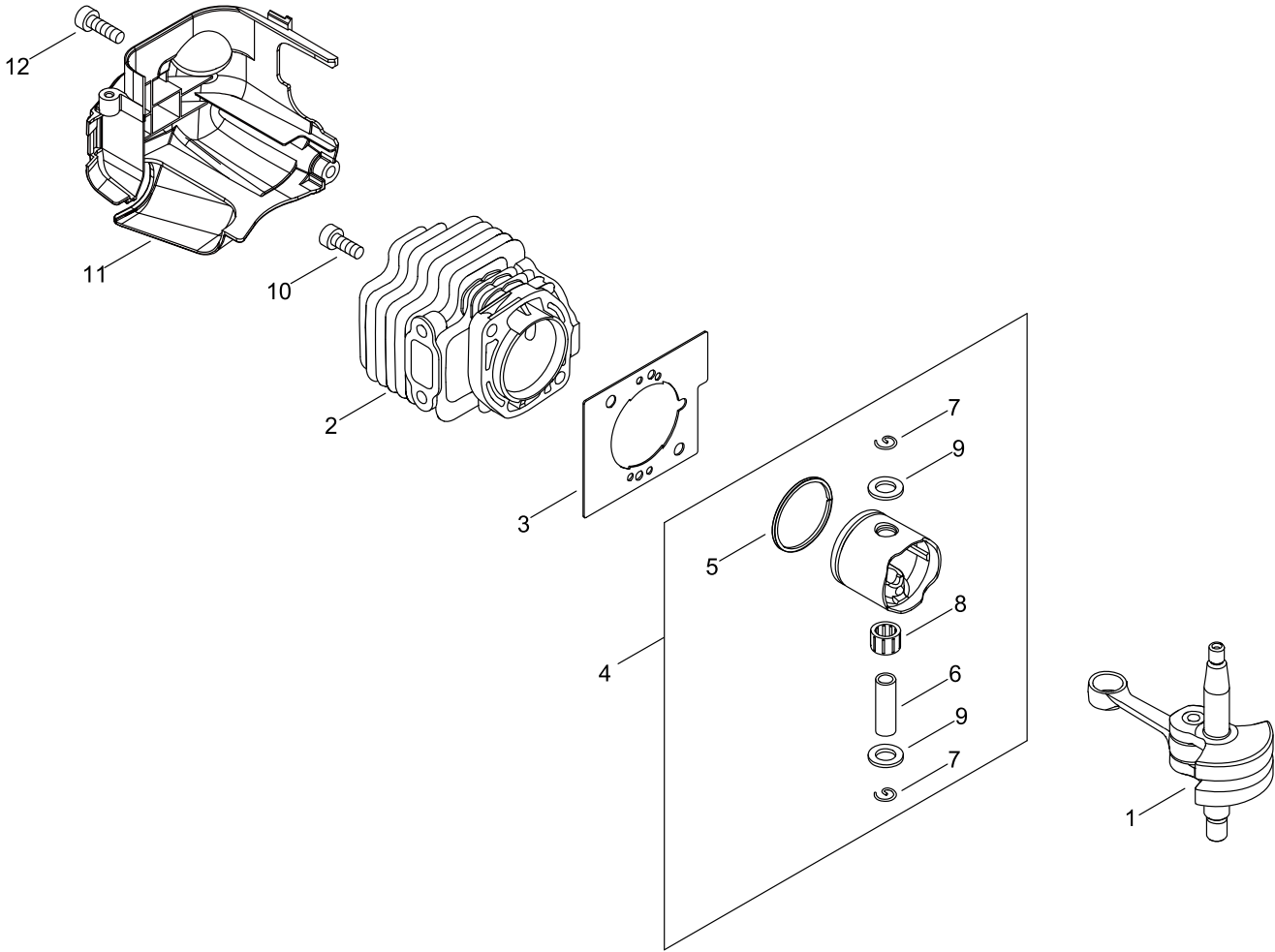
Last updated date

22/Jan/2024

TABLE OF CONTENTS

CYLINDER, PISTON, CRANKSHAFT	1
CRANKCASE	3
MAGNETO.....	5
AIR CLEANER, CARBURETOR.....	7
CARBURETOR.....	9
FUEL TANK	11
MUFFLER.....	13
RECOIL STARTER.....	15
GEAR CASE	17
CUTTING BLADE	19
HANDLE.....	21
ACCESSORIES	23

CYLINDER, PISTON, CRANKSHAFT



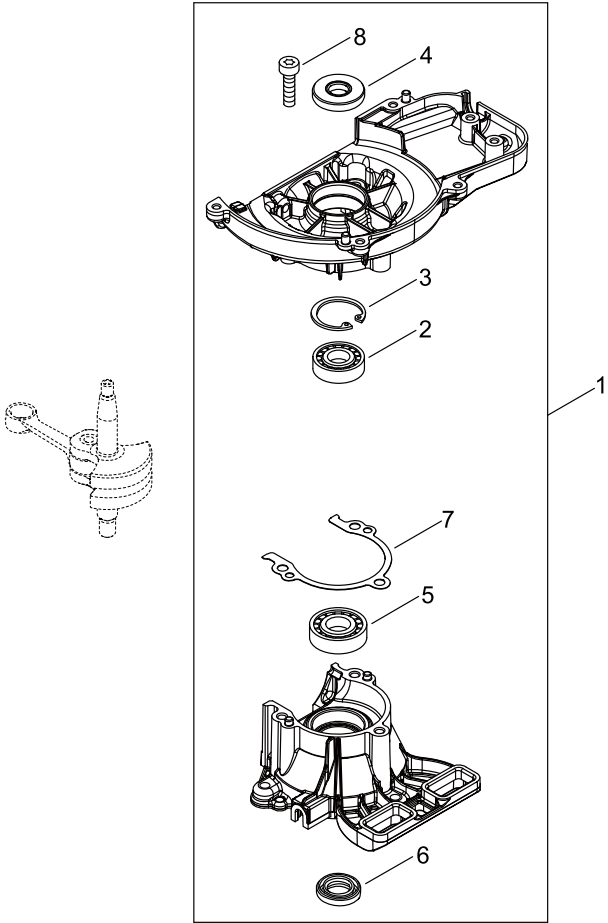
CYLINDER, PISTON, CRANKSHAFT

Key No.	LV (+)	Parts Number	Parts Description	Qty	Standard	Class
1		A011-001360	CRANKSHAFT,ASY	1		D
2		A130-001960	CYLINDER	1		D
3		V100-000720	GASKET,CYL	1		B
4		P021-037930	PISTON KIT	1		
5	+	A101-000880	RING, PISTON	1	32.2X1.5X1.5	B
6	+	V606-000020	PIN,ENG 8	1	5.8*8*25.5	D
7	+	100015-04630	CIRCLIP, PISTON PIN	2		C
8	+	100113-05930	BEARING, NEEDLE	1	8*12*8	B
9	+	100014-08960	SPACER, PISTON PIN	2		C
10		V805-000210	BOLT, TORX 5	2	TB-5*20 12.9	C
11		A160-002940	COVER,CYLINDER	1		C
12		V805-000150	BOLT, TORX 5	1	TB-5*16 10.9	C

Class : Consumable class

A:Fast moving parts B:Semi-fast moving parts C:Slow moving parts D:Order only as needed

CRANKCASE



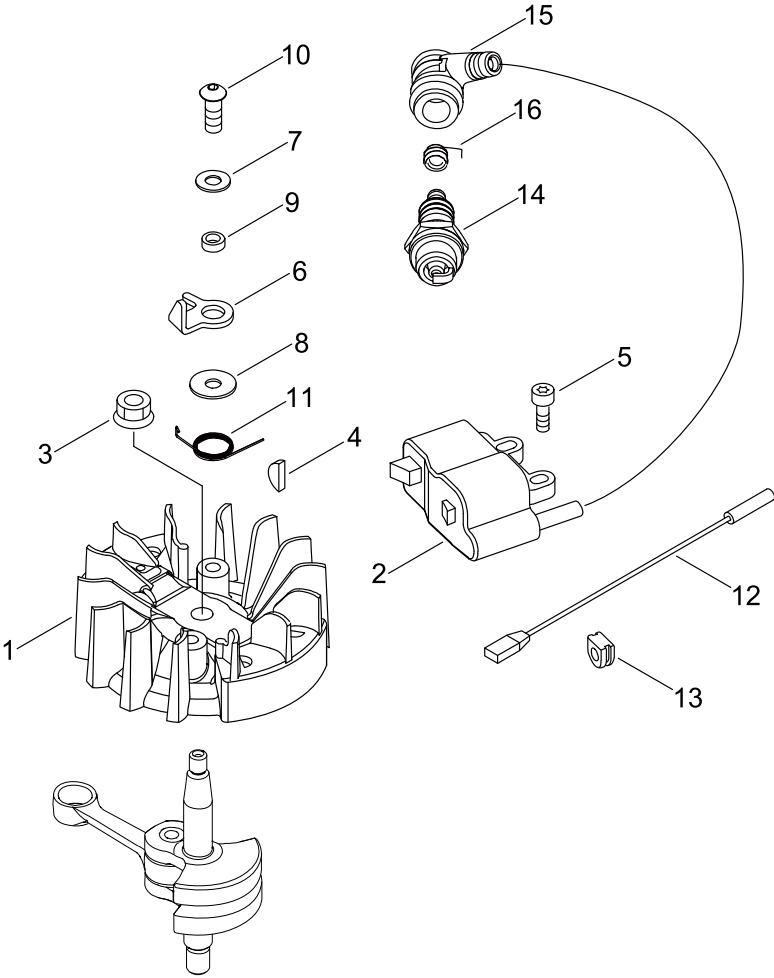
CRANKCASE

Key No.	LV (+)	Parts Number	Parts Description	Qty	Standard	Class
1		P021-046111	CRANKCASE SET	1		
2	+	900810-36000	BEARING, BALL	1	6000	
3	+	900702-00026	RETAINING RING	1	CR-26	
4	+	100213-61830	OILSEAL	1	ISCD 10*26*5	C
5	+	900810-36000	BEARING, BALL	1	6000	
6	+	100212-61830	OILSEAL	1	ISCD 10*20*5	C
7	+	V102-000240	GASKET,CRANKCASE	1		B
8	+	V805-000220	BOLT, TORX 5	3	TB-5*25 12.9	C

Class : Consumable class

A:Fast moving parts B:Semi-fast moving parts C:Slow moving parts D:Order only as needed

MAGNETO



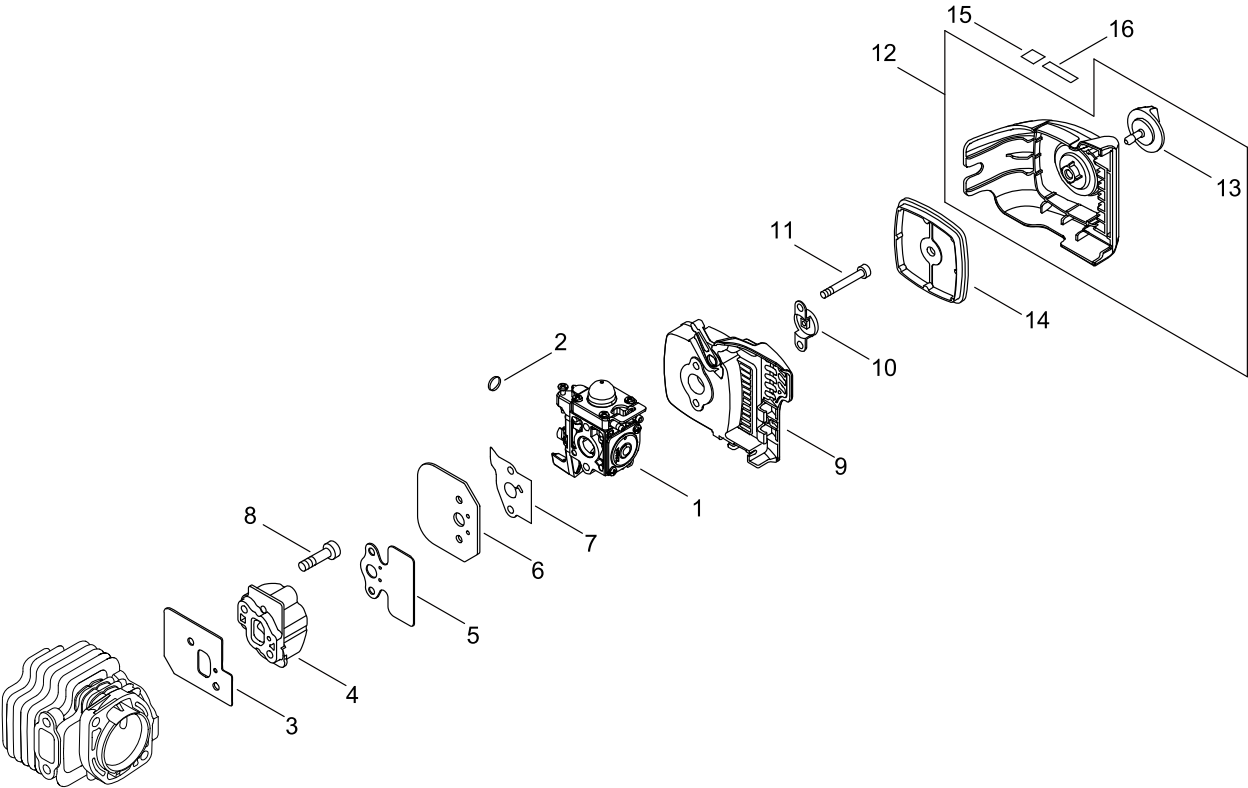
MAGNETO

Key No.	LV (+)	Parts Number	Parts Description	Qty	Standard	Class
1		A409-001360	ROTOR, MAGNETO	1	ID R10011	C
2		A411-001490	COIL, IGNITION	1		C
3		92105-06000	NUT L, FLANGE	1	6	
4		100142-12330	KEY, WOODRUFF	1		C
5		V804-000060	BOLT, TORX 4	2	TB-4*16 10.9	C
6		A514-000260	PAWL	2		C
7		900603-00005	WASHER	2	5	
8		131911-03460	WASHER	2		C
9		178070-10860	SPACER	2		C
10		V203-000080	BOLT,5	2	5*14	C
11		V452-001370	SPRING,TORSION	2		B
12		V485-001220	LEAD	1	L:85	C
13		V135-000150	GROMMET,HT CORD	1		C
14		A425-000000	SPARKPLUG	1	BPMR8Y	A
15		A427-000013	CAP,SPARK PLUG	1		C
16		A426-000010	TERMINAL,SPARKPLUG	1		C

Class : Consumable class

A:Fast moving parts B:Semi-fast moving parts C:Slow moving parts D:Order only as needed

AIR CLEANER, CARBURETOR



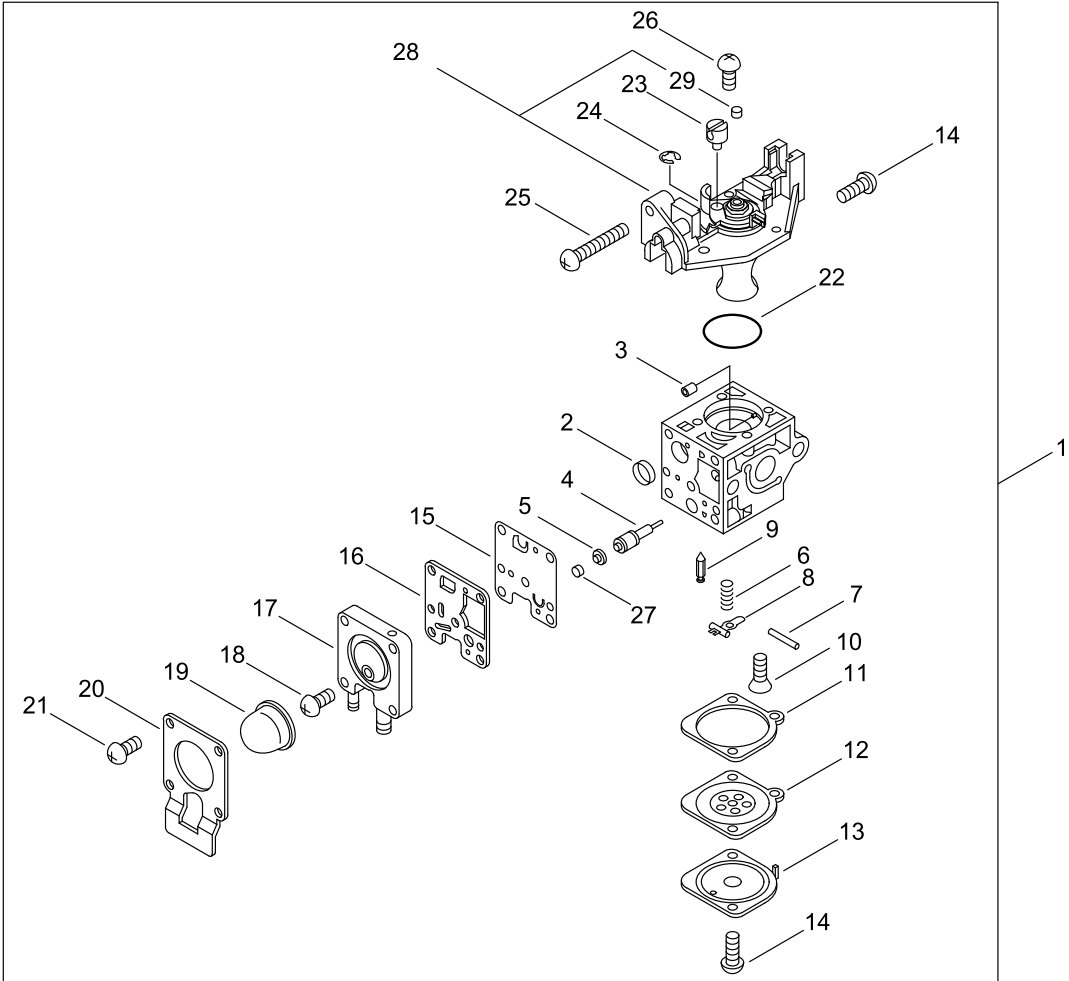
AIR CLEANER, CARBURETOR

Key No.	LV (+)	Parts Number	Parts Description	Qty	Standard	Class
1		A021-004900	CARBURETOR,DIAPHRAGM	1	ID:YZ0008	B
2		V490-001100	CLIP	1		C
3		V103-002030	GASKET,INTAKE	1	T1.0	A
4		A200-001200	INSULATOR, INTAKE	1		C
5		V103-001730	GASKET,INTAKE	1	T:1.0	A
6		A209-000610	PLATE, INSULATOR	1		C
7		V103-001740	GASKET,INTAKE	1		A
8		V805-000170	BOLT, TORX 5	2	TB-5*25 10.9	C
9		P021-046091	CASE,CLEANER	1		
10		A244-000070	PLATE,PREVENT	1		C
11		V805-000100	BOLT, TORX 5	2	TB-5*65 10.9	C
12		P021-046100	LID,CLEANER ASY	1		
13	+	A235-000520	KNOB,CLEANER LID	1		C
14		A226-001410	ELEMENT,AIR FILTER	1		A
15		X524-001901	LABEL	1		D
16		890332-52730	LABEL, CHOKE	1		D

Class : Consumable class

A:Fast moving parts B:Semi-fast moving parts C:Slow moving parts D:Order only as needed

CARBURETOR



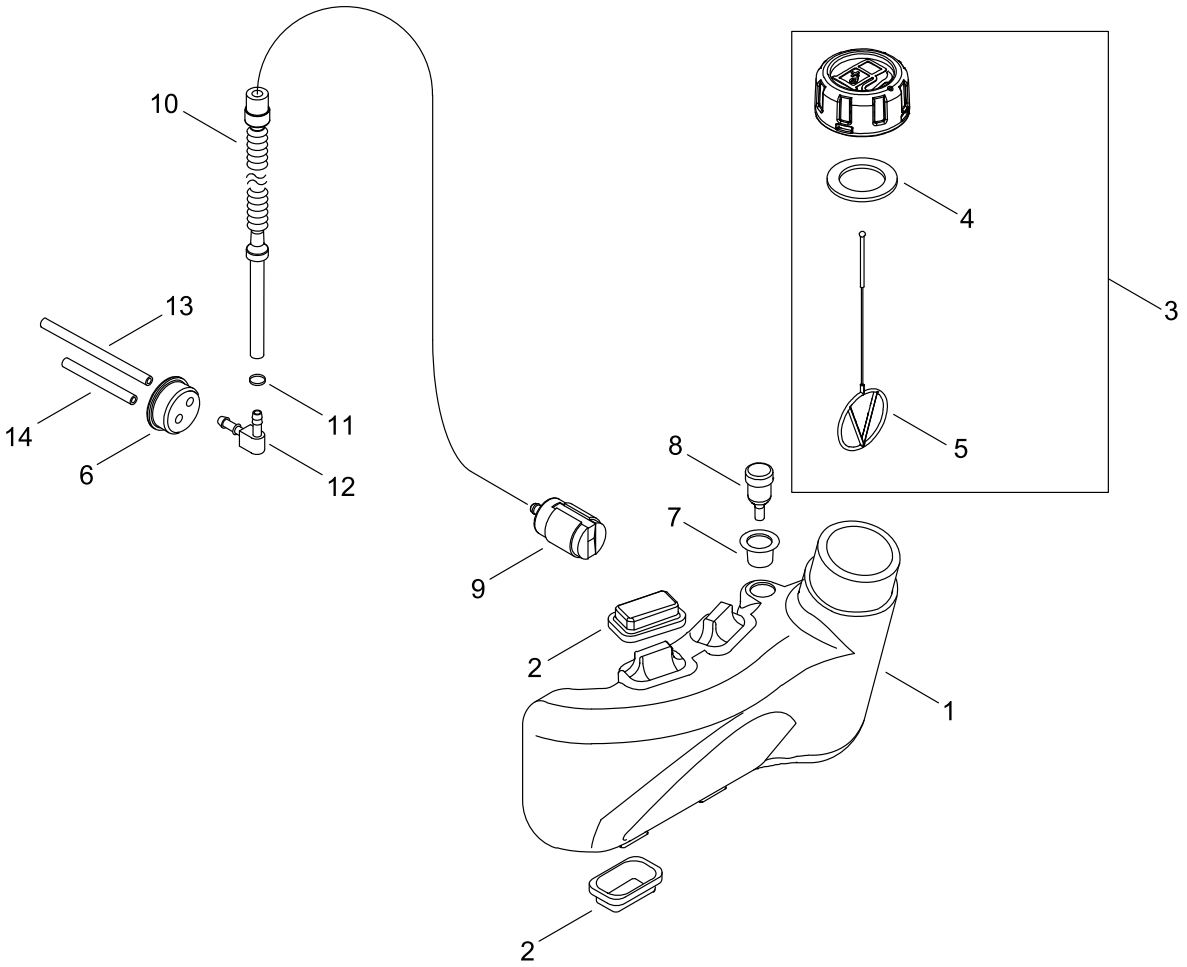
CARBURETOR

Key No.	LV (+)	Parts Number	Parts Description	Qty	Standard	Class
1		A021-004900	CARBURETOR,DIAPHRAGM	1	ID:YZ0008	B
2	+	P005-000010	STRAINER	1		C
3	+	P005-001000	ROLLER, GUIDE	1		D
4	+	P005-001260	SCREW,MAINN MIXTURE	1		D
5	+	P005-001250	RETAINER,PLUG BALL	1		
6	+	P005-000940	SPRING, METER. LEVER	1		D
7	+	125338-13930	PIN, METERING ARM	1		D
8	+	125323-08260	ARM, VALVE	1		
9	+	125337-08260	VALVE, INLET NEEDLE	1		D
10	+	125339-42030	SCREW	1		B
11	+	P005-004700	GASKET, METERING	1		A
12	+	P005-003760	DIAPHRAGM ,METERING	1		
13	+	125342-52130	COVER, DIAPHRAGM	1		D
14	+	125344-52130	SCREW	3		D
15	+	P005-000510	DIAPHRAGM, PUMP	1		A
16	+	P005-004710	GASKET, FUEL PUMP	1		A
17	+	P005-004240	BASE, ASY PRIMER	1		
18	+	P005-000270	SCREW	1		D
19	+	P005-003110	PUMP, PRIMER	1		A
20	+	P005-000250	RETAINER	1		D
21	+	P005-001900	SCREW	4		D
22	+	P005-004260	RING,O	1		
23	+	P005-002200	POST	1		D
24	+	P005-000190	E-RING	1		D
25	+	P005-000100	SCREW,THROTTLEADJUST	1		D
26	+	125344-13931	SCREW	3		D
27	+	P005-001270	PLUG, AJUST SCREW	1		B
28	+	P005-002050	COVER ASY, ROTOR	1		
29	++	P005-001270	PLUG, AJUST SCREW	1		B

Class : Consumable class

A:Fast moving parts B:Semi-fast moving parts C:Slow moving parts D:Order only as needed

FUEL TANK



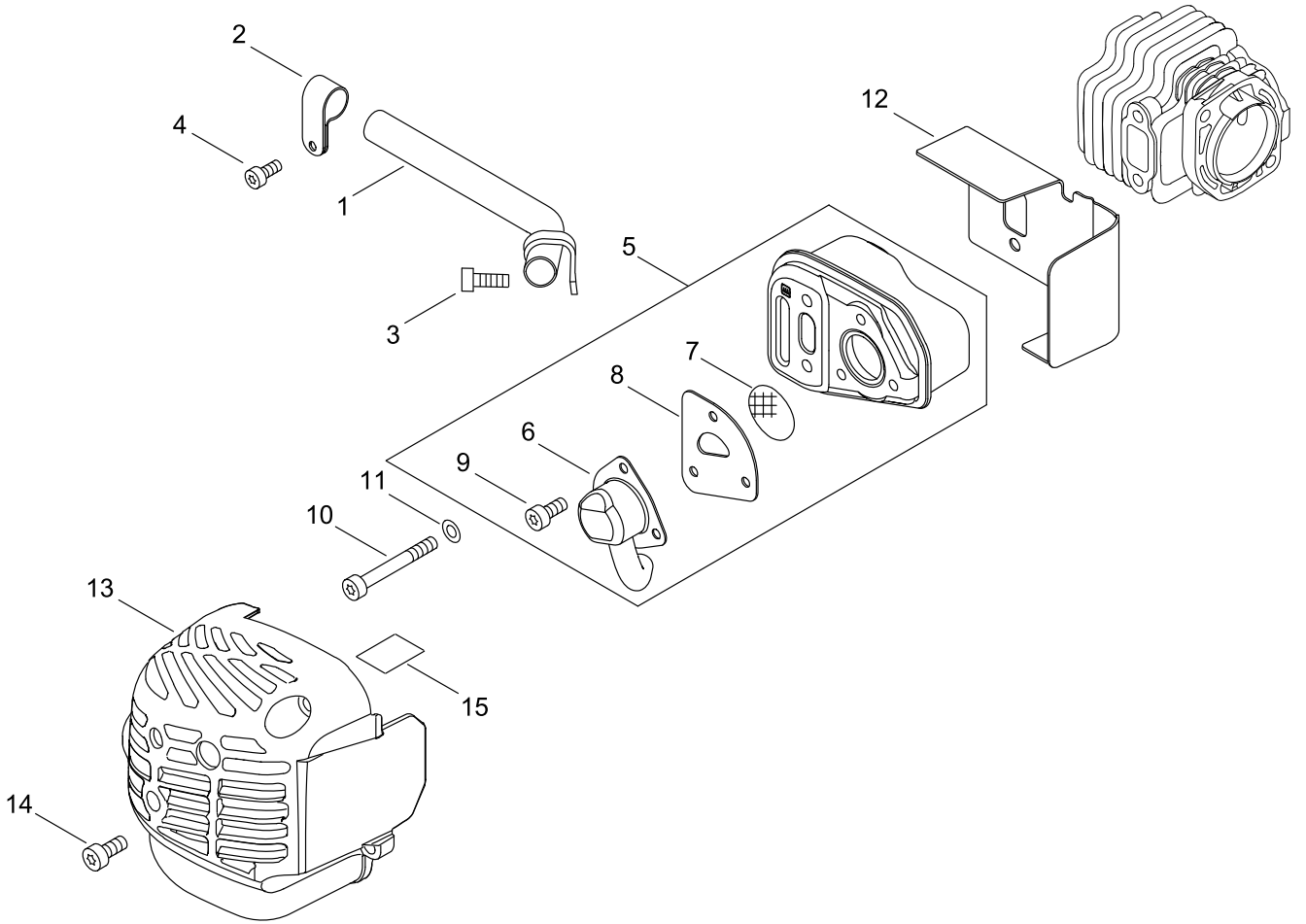
FUEL TANK

Key No.	LV (+)	Parts Number	Parts Description	Qty	Standard	Class
1		A350-001880	TANK, FUEL	1		C
2		V420-004490	CUSHION	4		B
3		P021-046081	FUEL CAP ASY	1		B
4	+	V107-000190	GASKET,FUEL CAP	1	37.9* T 2.2	A
5	+	A365-000060	CONNECTOR,CAP	1	L=123	B
6		132115-44331	GROMMET, FUEL	1		C
7		V137-000001	GROMMET,FUEL	1		C
8		A356-000031	VALVE,CHECK	1		B
9		A369-000480	STRAINER, FUEL	1	125-959	A
10		V471-003511	PIPE	1		C
11		V490-000500	CLIP	1		C
12		V186-000270	JOINT,PIPE	1		C
13		V471-003501	PIPE	1	3*6*92	C
14		132010-49730	PIPE 3*6*85	1	3*6*85 YL	C

Class : Consumable class

A:Fast moving parts B:Semi-fast moving parts C:Slow moving parts D:Order only as needed

MUFFLER



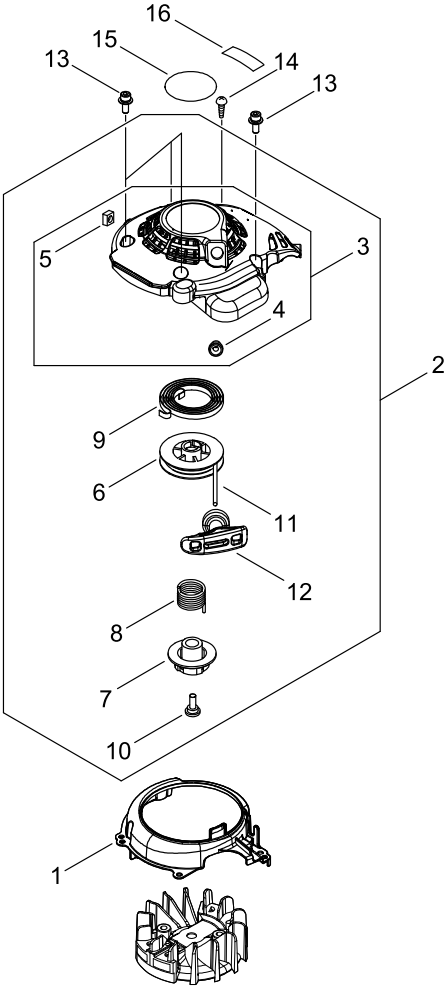
MUFFLER

Key No.	LV (+)	Parts Number	Parts Description	Qty	Standard	Class
1		A313-002000	GUIDE, EXHAUST	1		C
2		A319-000510	STAY, MUFFLER	1		C
3		V805-000130	BOLT, TORX 5	1	TB-5*10 10.9	C
4		V804-000040	BOLT, TORX 4	1	TB-4*10 10.9	C
5		P100-001320	MUFFLER ASY	1		
6	+	A313-001990	GUIDE, EXHAUST	1	ID#2170	C
7	+	A310-000470	SCREEN, ARRESTOR	1		B
8	+	V104-002180	GASKET,EXHAUST	1		A
9	+	V804-000030	BOLT, TORX 4	3	TB-4*8 10.9	C
10		V805-000190	BOLT, TORX 5	2	TB-5*55 12.9	C
11		900603-00005	WASHER	2	5	
12		V104-002190	GASKET,EXHAUST	1		A
13		A320-001120	COVER,MUFFLER	1		C
14		V805-000320	BOLT, TORX 5	2	TB-5*16 10.9	C
15		X505-002310	LABEL,CAUTION	1	HOT CAUTION	D

Class : Consumable class

A:Fast moving parts B:Semi-fast moving parts C:Slow moving parts D:Order only as needed

RECOIL STARTER



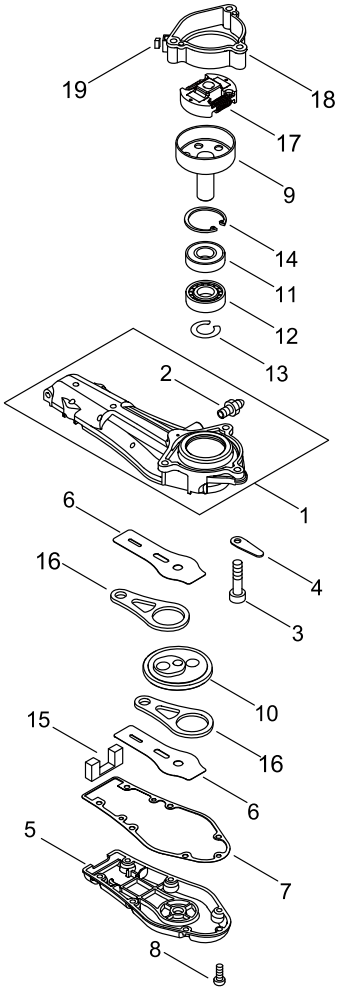
RECOIL STARTER

Key No.	LV (+)	Parts Number	Parts Description	Qty	Standard	Class
1		A172-002610	COVER,FAN	1		C
2		A051-002373	STARTER,RECOIL ASY	1		B
3	+	P022-036941	CASE, STARTER	1		
4	++	P022-045770	GUIDE, ROPE	1		C
5	++	900565-00005	NUT, SQUARE	1	5	
6	+	P022-027980	DRUM, STARTER	1		
7	+	P022-037310	PLATE, CAM	1		
8	+	P022-008270	SPRING,DAMPER	1		C
9	+	177220-42030	SPRING, REWIND	1		B
10	+	177236-61830	SCREW	1		
11	+	P022-006800	ROPE, STARTER	1	3.0*880	
12	+	177228-44330	GRIP, STARTER	1		
13		V804-000060	BOLT, TORX 4	4	TB-4*16 10.9	C
14		V804-000010	BOLT, TORX 4	1	TT-4*16 DG 10.9	C
15		X502-000890	LABEL,ECHO	1		D
16		X543-004320	LABEL,MODEL	1	HCR-165ES	D

Class : Consumable class

A:Fast moving parts B:Semi-fast moving parts C:Slow moving parts D:Order only as needed

GEAR CASE



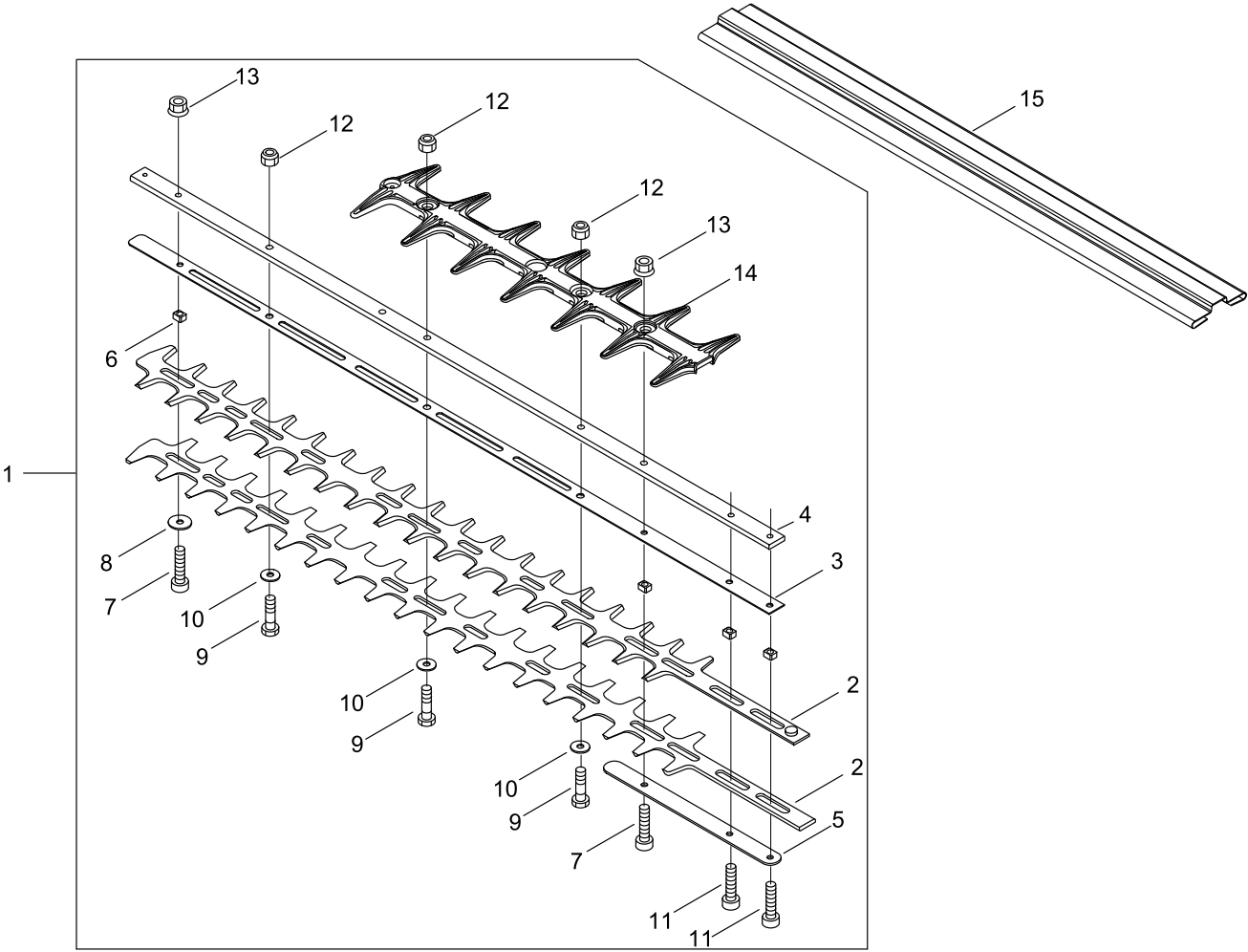
GEAR CASE

Key No.	LV (+)	Parts Number	Parts Description	Qty	Standard	Class
1		P021-013070	CASE,GEAR	1		
2	+	880110-10860	NIPPLE, GREASE	1		
3		V806-000140	BOLT, TORX 6	3	TB-6*45 12.9	C
4		C628-000160	PIECE, PLATE	1		D
5		C539-000021	LID,GEARCASE	1		D
6		V150-001810	PLATE,EYE	2	T0.5	C
7		V110-000060	GASKET,GEAR CASE	1	T0.3	A
8		V804-000060	BOLT, TORX 4	6	TB-4*16 10.9	C
9		A556-001630	DRUM, CLUTCH	1	50 T:1.4	B
10		V650-000300	GEAR,SPUR	1	46T	C
11		900812-06202	BEARING, BALL	1	6202LLU(DDU)	
12		94000-36202	BEARING, BALL	1	BB6202/C3	C
13		900701-00014	RETAINING RING	1	CS-14	
14		900702-00035	RETAINING RING	1	CR-35	
15		V541-000140	SEAL	1		C
16		C532-000170	ROD, CONNECTING	2		C
17		A056-000750	CLUTCH ASY	1		B
18		A570-000320	CASE,CLUTCH	1		D
19		900565-00005	NUT, SQUARE	1	5	

Class : Consumable class

A:Fast moving parts B:Semi-fast moving parts C:Slow moving parts D:Order only as needed

CUTTING BLADE



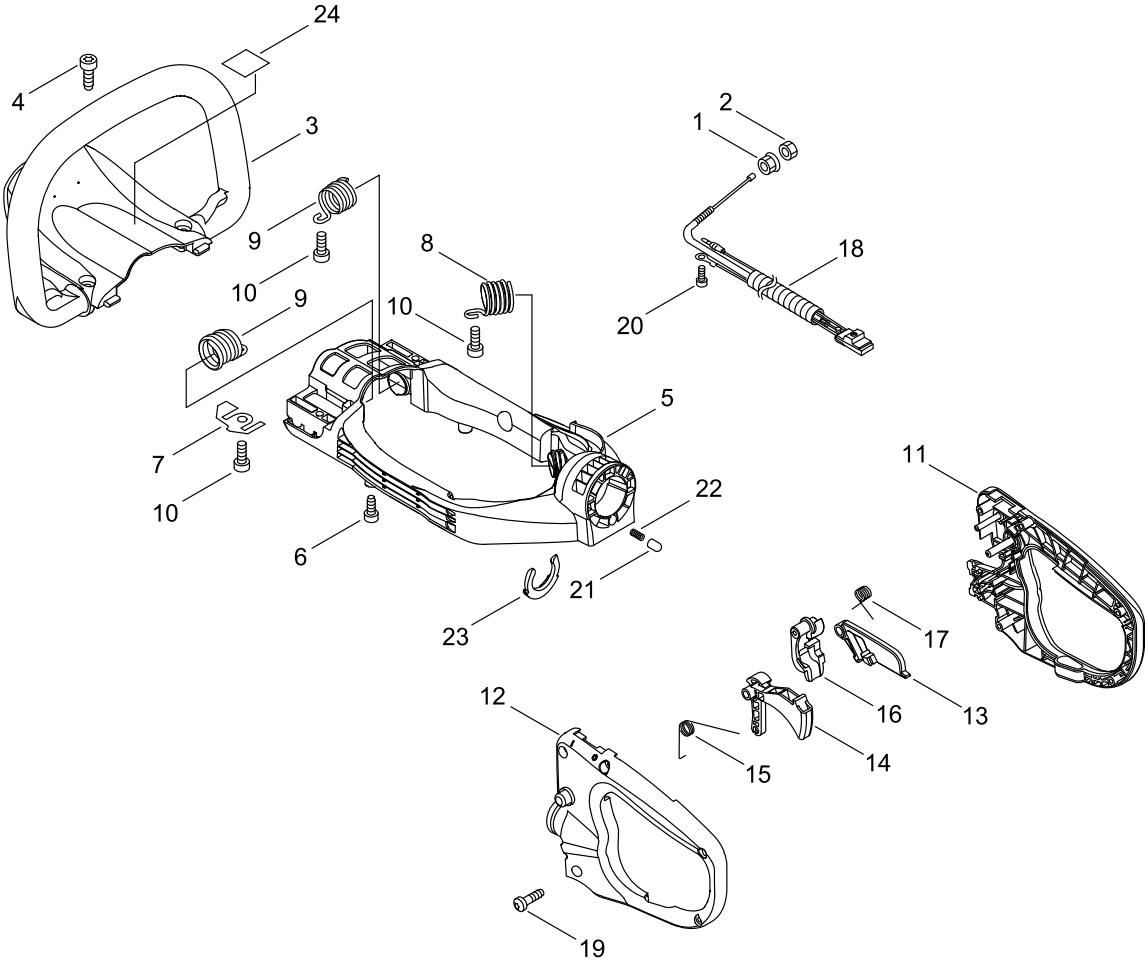
CUTTING BLADE

Key No.	LV (+)	Parts Number	Parts Description	Qty	Standard	Class
1		X041-000491	CUTTER,ASM	1		B
2	+	X412-000640	CUTTER	2		A
3	+	X425-000840	SUPPORT,CUTTER	1		B
4	+	X425-000900	SUPPORT,CUTTER	1		B
5	+	V150-001800	PLATE,EYE	1	T2.0	C
6	+	V353-000250	COLLAR	4	9*7.45*5.3	C
7	+	V805-000170	BOLT, TORX 5	2	TB-5*25 10.9	C
8	+	177214-21860	WASHER	1	5.2*16*1.6T	C
9	+	V204-000510	BOLT	3		C
10	+	V304-000240	WASHER	3		C
11	+	V805-000220	BOLT, TORX 5	2	TB-5*25 12.9	C
12	+	433022-06460	NUT	3		C
13	+	92108-05000	NUT, FLANGE	2	5	
14	+	X431-000210	BLUNT	1		C
15		X495-000550	SCABBARD,BLADE	1	L703 24IN	D

Class : Consumable class

A:Fast moving parts B:Semi-fast moving parts C:Slow moving parts D:Order only as needed

HANDLE



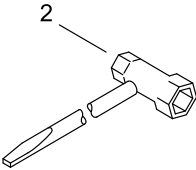
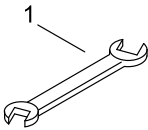
HANDLE

Key No.	LV (+)	Parts Number	Parts Description	Qty	Standard	Class
1		900515-00006	NUT, FLANGE	1	6	
2		900502-00006	NUT	1	6	
3		C400-000480	HANDLE, FRONT	1		C
4		V805-000010	BOLT, TORX 5	2	TT-5*20 DG 10.9	C
5		C600-001590	FRAME	1		C
6		V805-000240	BOLT, TORX 5	2	TT-5*12 DG 10.9	C
7		V150-003890	PLATE,EYE	1		C
8		V450-001910	SPRING,COMPRESSION	2		B
9		V450-001920	SPRING,COMPRESSION	2		B
10		V805-000150	BOLT, TORX 5	4	TB-5*16 10.9	C
11		C410-001350	HANDLE,REAR	1		C
12		P021-046140	REAR HANDLE ASY	1		
13		C460-000090	LOCKOUT, THROTTLE	1		C
14		C450-000250	CONTROL, THROTTLE	1		C
15		V452-000300	SPRING,TORSION	1		B
16		C427-000020	STOPPER, HANDLE	1		D
17		V452-000310	SPRING,TORSION	1		B
18		P100-004940	SWITCH,ON OFF	1		
19		V804-000010	BOLT, TORX 4	5	TT-4*16 DG 10.9	C
20		V804-000040	BOLT, TORX 4	1	TB-4*10 10.9	C
21		605611-13360	PIN	1		C
22		V450-000630	SPRING,COMPRESSION	1	5.1/3.5	B
23		C423-000980	FIXTURE, HANDLE	1		D
24		X505-002030	LABEL,CAUTION	1	37*35	D

Class : Consumable class

A:Fast moving parts B:Semi-fast moving parts C:Slow moving parts D:Order only as needed

ACCESSORIES



ACCESSORIES

Key No.	LV (+)	Parts Number	Parts Description	Qty	Standard	Class
1		895112-00330	SPANNER 8*10	1		D
2		895410-03930	WRENCH, W/S. DRIVER	1		D

Class : Consumable class

A:Fast moving parts B:Semi-fast moving parts C:Slow moving parts D:Order only as needed

NUMERICAL PARTS INDEX

Part No	Part description	Page	Part No	Part description	Page	Part No	Part description	Page
100014-08960	SPACER, PISTON PIN	2	A051-002373	STARTER,RECOIL ASY	16	P005-000940	SPRING, METER. LEVER	10
100015-04630	CIRCLIP, PISTON PIN	2	A056-000750	CLUTCH ASY	18	P005-001000	ROLLER, GUIDE	10
100113-05930	BEARING, NEEDLE	2	A101-000880	RING, PISTON	2	P005-001250	RETAINER,PLUG BALL	10
100142-12330	KEY, WOODRUFF	6	A130-001960	CYLINDER	2	P005-001260	SCREW,MAINN MIXTURE	10
100212-61830	OILSEAL	4	A160-002940	COVER,CYLINDER	2	P005-001270	PLUG, AJUST SCREW	10
100213-61830	OILSEAL	4	A172-002610	COVER,FAN	16	P005-001900	SCREW	10
125323-08260	ARM, VALVE	10	A200-001200	INSULATOR, INTAKE	8	P005-002050	COVER ASY, ROTOR	10
125337-08260	VALVE, INLET NEEDLE	10	A209-000610	PLATE, INSULATOR	8	P005-002200	POST	10
125338-13930	PIN, METERING ARM	10	A226-001410	ELEMENT,AIR FILTER	8	P005-003110	PUMP, PRIMER	10
125339-42030	SCREW	10	A235-000520	KNOB,CLEANER LID	8	P005-003760	DIAPHRAGM ,METERING	10
125342-52130	COVER, DIAPHRAGM	10	A244-000070	PLATE,PREVENT	8	P005-004240	BASE, ASY PRIMER	10
125344-13931	SCREW	10	A310-000470	SCREEN, ARRESTOR	14	P005-004260	RING,O	10
125344-52130	SCREW	10	A313-001990	GUIDE, EXHAUST	14	P005-004700	GASKET, METERING	10
131911-03460	WASHER	6	A313-002000	GUIDE, EXHAUST	14	P005-004710	GASKET, FUEL PUMP	10
132010-49730	PIPE 3*6*85	12	A319-000510	STAY, MUFFLER	14	P021-013070	CASE,GEAR	18
132115-44331	GROMMET, FUEL	12	A320-001120	COVER,MUFFLER	14	P021-037930	PISTON KIT	2
177214-21860	WASHER	20	A350-001880	TANK, FUEL	12	P021-046081	FUEL CAP ASY	12
177220-42030	SPRING, REWIND	16	A356-000031	VALVE,CHECK	12	P021-046091	CASE,CLEANER	8
177228-44330	GRIP, STARTER	16	A365-000060	CONNECTOR,CAP	12	P021-046100	LID,CLEANER ASY	8
177236-61830	SCREW	16	A369-000480	STRAINER, FUEL	12	P021-046111	CRANKCASE SET	4
178070-10860	SPACER	6	A409-001360	ROTOR, MAGNETO	6	P021-046140	REAR HANDLE ASY	22
433022-06460	NUT	20	A411-001490	COIL, IGNITION	6	P022-006800	ROPE, STARTER	16
605611-13360	PIN	22	A425-000000	SPARKPLUG	6	P022-008270	SPRING,DAMPER	16
880110-10860	NIPPLE, GREASE	18	A426-000010	TERMINAL,SPARKPLUG	6	P022-027980	DRUM, STARTER	16
890332-52730	LABEL, CHOKE	8	A427-000013	CAP,SPARK PLUG	6	P022-036941	CASE, STARTER	16
895112-00330	SPANNER 8*10	24	A514-000260	PAWL	6	P022-037310	PLATE, CAM	16
895410-03930	WRENCH, W/S. DRIVER	24	A556-001630	DRUM, CLUTCH	18	P022-045770	GUIDE, ROPE	16
900502-00006	NUT	22	A570-000320	CASE,CLUTCH	18	P100-001320	MUFFLER ASY	14
900515-00006	NUT, FLANGE	22	C400-000480	HANDLE, FRONT	22	P100-004940	SWITCH,ON OFF	22
900565-00005	NUT, SQUARE	16	C410-001350	HANDLE,REAR	22	V100-000720	GASKET,CYL	2
900565-00005	NUT, SQUARE	18	C423-000980	FIXTURE, HANDLE	22	V102-000240	GASKET,CRANKCASE	4
900603-00005	WASHER	6	C427-000020	STOPPER, HANDLE	22	V103-001730	GASKET,INTAKE	8
900603-00005	WASHER	14	C450-000250	CONTROL, THROTTLE	22	V103-001740	GASKET,INTAKE	8
900701-00014	RETAINING RING	18	C460-000090	LOCKOUT, THROTTLE	22	V103-002030	GASKET,INTAKE	8
900702-00026	RETAINING RING	4	C532-000170	ROD, CONNECTING	18	V104-002180	GASKET,EXHAUST	14
900702-00035	RETAINING RING	18	C539-000021	LID,GEARCASE	18	V104-002190	GASKET,EXHAUST	14
900810-36000	BEARING, BALL	4	C600-001590	FRAME	22	V107-000190	GASKET,FUEL CAP	12
900812-06202	BEARING, BALL	18	C628-000160	PIECE, PLATE	18	V110-000060	GASKET,GEAR CASE	18
92105-06000	NUT L, FLANGE	6	P005-000010	STRAINER	10	V135-000150	GROMMET,HT CORD	6
92108-05000	NUT, FLANGE	20	P005-000100	SCREW, THROTTLEADJUST	10	V137-000001	GROMMET,FUEL	12
94000-36202	BEARING, BALL	18	P005-000190	E-RING	10	V150-001800	PLATE,EYE	20
A011-001360	CRANKSHAFT,ASY	2	P005-000250	RETAINER	10	V150-001810	PLATE,EYE	18
A021-004900	CARBURETOR, DIAPHRAGM	8	P005-000270	SCREW	10	V150-003890	PLATE,EYE	22
A021-004900	CARBURETOR, DIAPHRAGM	10	P005-000510	DIAPHRAGM, PUMP	10	V186-000270	JOINT,PIPE	12
						V203-000080	BOLT,5	6

NUMERICAL PARTS INDEX

Part No	Part description	Page	Part No	Part description	Page
V204-000510	BOLT	20	X495-000550	SCABBARD, BLADE	20
V304-000240	WASHER	20	X502-000890	LABEL, ECHO	16
V353-000250	COLLAR	20	X505-002030	LABEL, CAUTION	22
V420-004490	CUSHION	12	X505-002310	LABEL, CAUTION	14
V450-000630	SPRING, COMPRESSION	22	X524-001901	LABEL	8
V450-001910	SPRING, COMPRESSION	22	X543-004320	LABEL, MODEL	16
V450-001920	SPRING, COMPRESSION	22			
V452-000300	SPRING, TORSION	22			
V452-000310	SPRING, TORSION	22			
V452-001370	SPRING, TORSION	6			
V471-003501	PIPE	12			
V471-003511	PIPE	12			
V485-001220	LEAD	6			
V490-000500	CLIP	12			
V490-001100	CLIP	8			
V541-000140	SEAL	18			
V606-000020	PIN, ENG 8	2			
V650-000300	GEAR, SPUR	18			
V804-000010	BOLT, TORX 4	16			
V804-000010	BOLT, TORX 4	22			
V804-000030	BOLT, TORX 4	14			
V804-000040	BOLT, TORX 4	14			
V804-000040	BOLT, TORX 4	22			
V804-000060	BOLT, TORX 4	6			
V804-000060	BOLT, TORX 4	16			
V804-000060	BOLT, TORX 4	18			
V805-000010	BOLT, TORX 5	22			
V805-000100	BOLT, TORX 5	8			
V805-000130	BOLT, TORX 5	14			
V805-000150	BOLT, TORX 5	2			
V805-000150	BOLT, TORX 5	22			
V805-000170	BOLT, TORX 5	8			
V805-000170	BOLT, TORX 5	20			
V805-000190	BOLT, TORX 5	14			
V805-000210	BOLT, TORX 5	2			
V805-000220	BOLT, TORX 5	4			
V805-000220	BOLT, TORX 5	20			
V805-000240	BOLT, TORX 5	22			
V805-000320	BOLT, TORX 5	14			
V806-000140	BOLT, TORX 6	18			
X041-000491	CUTTER, ASM	20			
X412-000640	CUTTER	20			
X425-000840	SUPPORT, CUTTER	20			
X425-000900	SUPPORT, CUTTER	20			
X431-000210	BLUNT	20			