

CS-8002

Serial Number

36004001-36999999

Last updated date

09/Jan/2023

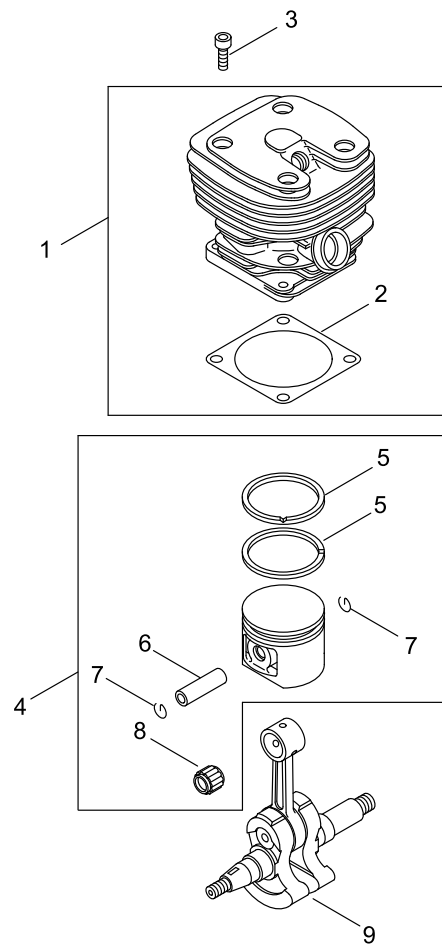


## TABLE OF CONTENTS

---

CYLINDER, PISTON, CRANKSHAFT .....	1
ENGINE COVER.....	3
MAGNETO.....	7
AIR CLEANER, CARBURETOR.....	9
CARBURETOR.....	11
MUFFLER.....	13
RECOIL STARTER.....	15
HANDLE.....	17
CHAIN BRAKE.....	19
ACCESSORIES .....	21

# CYLINDER, PISTON, CRANKSHAFT



060619

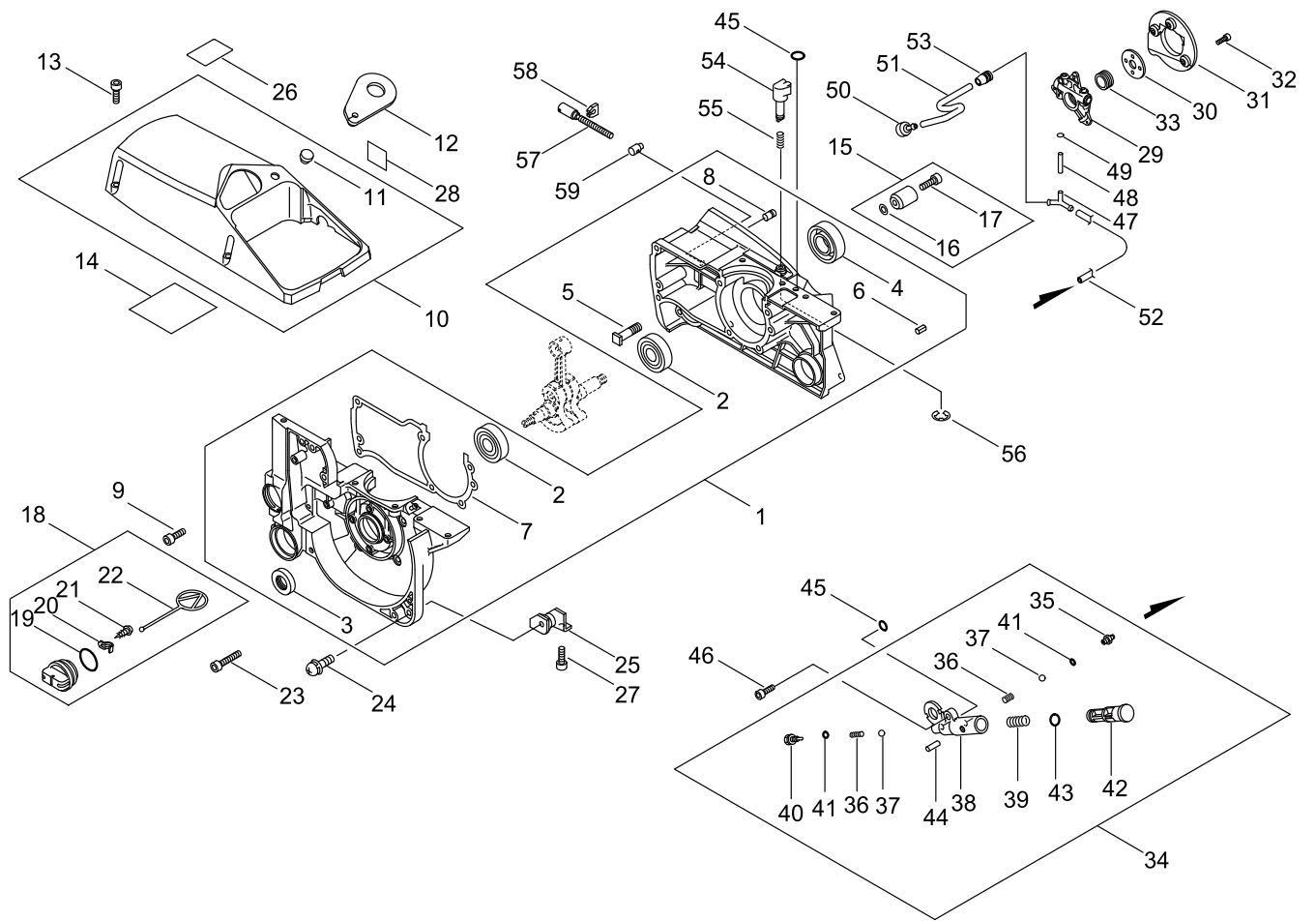
## CYLINDER, PISTON, CRANKSHAFT

Key No.	LV (+)	Parts Number	Parts Description	Qty	Standard	Class
1		P021-005410	CYLINDER ASY	1		
2	+	101010-30830	GASKET, CYL. BASE	1		B
3		900162-06025	BOLT, H.S. 6*25	4	6*25 W,SW	
4		P021-005421	PISTON KIT	1		
5	+	100011-30831	RING, PISTON	2		B
6	+	V611-000000	PIN,ENG 13	1	8*13*38.8	D
7	+	100015-30830	CIRCLIP, PISTON PIN	2		C
8	+	100012-30830	BEARING, NEEDLE	1		C
9		100100-30830	CRANKSHAFT ASSY	1		D

Class : Consumable class

A:Fast moving parts B:Semi-fast moving parts C:Slow moving parts D:Order only as needed

# ENGINE COVER



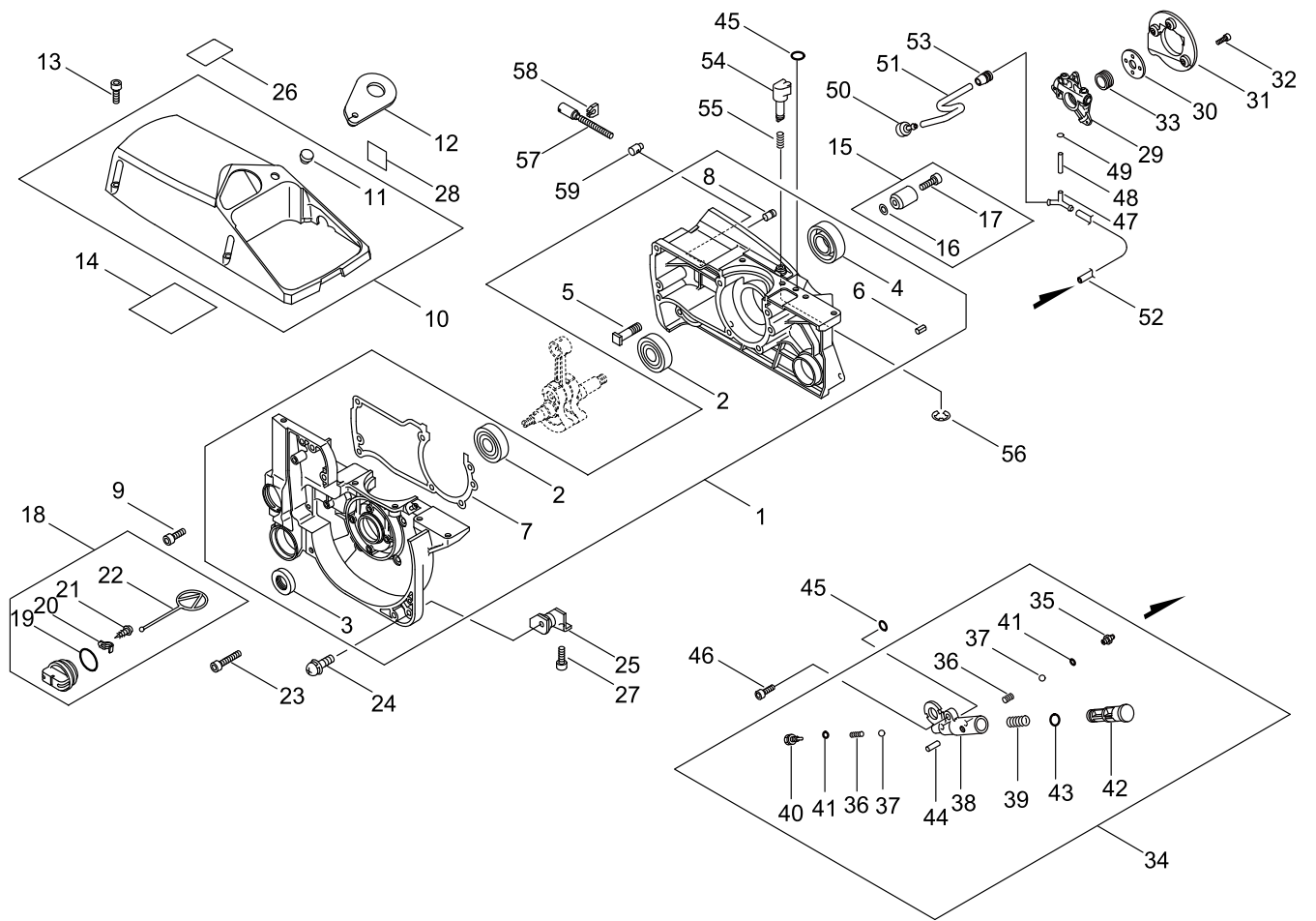
## ENGINE COVER

Key No.	LV (+)	Parts Number	Parts Description	Qty	Standard	Class
1		100204-30833	CRANKCASE KIT	1		
2	+	900810-36203	BEARING, BALL	2	6203	
3	+	100212-19830	OILSEAL	1	ISM 15*25*6	C
4	+	100213-30830	OILSEAL	1	25Z-16 39.9 7	C
5	+	433011-19831	STUD, GUIDE BAR	2		C
6	+	900345-50010	PIN, SPRING	1	5*10	
7	+	100242-30830	GASKET, CRANKCASE	1		B
8	+	436114-13930	VALVE, CHECK	1		B
9		900162-05020	BOLT HSH	2	5*20	
10		101501-31732	COVER KIT, CYLINDER	1		
11	+	101578-30830	PLUG	1		B
12		101541-30831	PLATE, GUIDE	1		C
13		900162-05020	BOLT HSH	3	5*20	
14		101520-33330	COVER	1		C
15		P021-042201	CHAIN CATCHER KIT	1		
16	+	900600-00005	WASHER	1	5	
17	+	900162-05020	BOLT HSH	1	5*20	
18		436001-31730	CAP ASSY, OIL TANK	1		
19	+	900721-00025	O-RING	1	G-25	
20	+	131050-19830	RETAINER, LINK	1		C
21	+	900246-03008	SCREW, TAPPING	1	3*8	
22	+	131051-19830	LINK	1	60L	B
23		900162-05035	BOLT HSH	4	5*35	
24		900238-05014	SCREW	1	5*14	
25		100921-30830	CUSHION	1		B
26		890345-39231	LABEL, CAUTION	1		D
27		900162-05014	BOLT HSH	1	5*14	
28		890631-38131	LABEL, CAUTION	1		D
29		437002-37530	AUTO-OILER ASSY	1		C
30		437066-30831	WASHER, CIRCULAR	1		C
31		437605-32430	COVER, OIL PUMP	1		D
32		900162-04014	BOLT HSH	3	4*14	
33		437063-33231	GEAR, WORM	1		B
34		437100-19832	OILER ASY, MANUAL	1		
35	+	437118-19830	NIPPLE	1		C
36	+	V450-000290	SPRING, COMPRESSION	2		B
37	+	437012-00330	VALVE, BALL	2		C
38	+	437110-19831	BODY, OIL PUMP	1		D
39	+	437111-19830	SPRING	1		B
40	+	437121-10130	ADAPTER, OIL PUMP	1		C
41	+	437122-03430	O-RING	2		A
42	+	437112-19831	PISTON, MANUAL	1		D
43	+	900720-00007	O-RING	1	P-7	
44	+	900345-20016	PIN, SPRING	1	2*16	

Class : Consumable class

A:Fast moving parts B:Semi-fast moving parts C:Slow moving parts D:Order only as needed

# ENGINE COVER





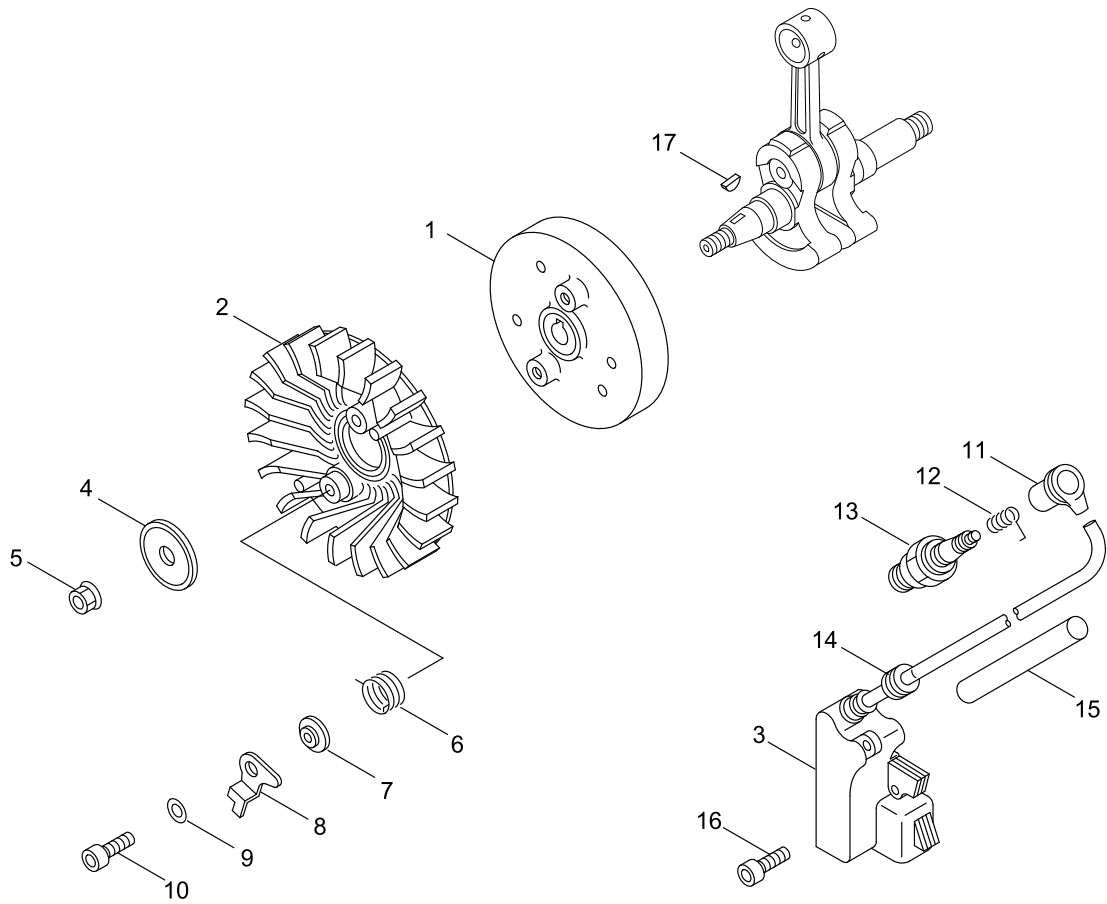
## ENGINE COVER

Key No.	LV (+)	Parts Number	Parts Description	Qty	Standard	Class
45		900720-00003	O-RING	2	P-3	
46		900162-05020	BOLT HSH	1	5*20	
47		437212-32430	CONNECTOR, OIL PIPE	1		C
48		437211-32430	PIPE	1		C
49		V490-001230	CLIP	1		C
50		436205-14730	STRAINER, OIL	1		B
51		437210-38330	PIPE, OIL	1		C
52		437210-30830	PIPE, OIL	1	NBR 3*6*210L	C
53		132115-12330	GROMMET	1		C
54		437039-30830	KNOB	1		D
55		437015-19830	SPRING	1		B
56		900700-00003	RETAINING RING, EXTERNAL-E	1	CE-3	
57		433016-11031	SCREW, TENSIONER	1		C
58		433028-11030	CLIP	1		D
59		433014-02830	TENSIONER	1		C

Class : Consumable class

A:Fast moving parts B:Semi-fast moving parts C:Slow moving parts D:Order only as needed

# MAGNETO



060619

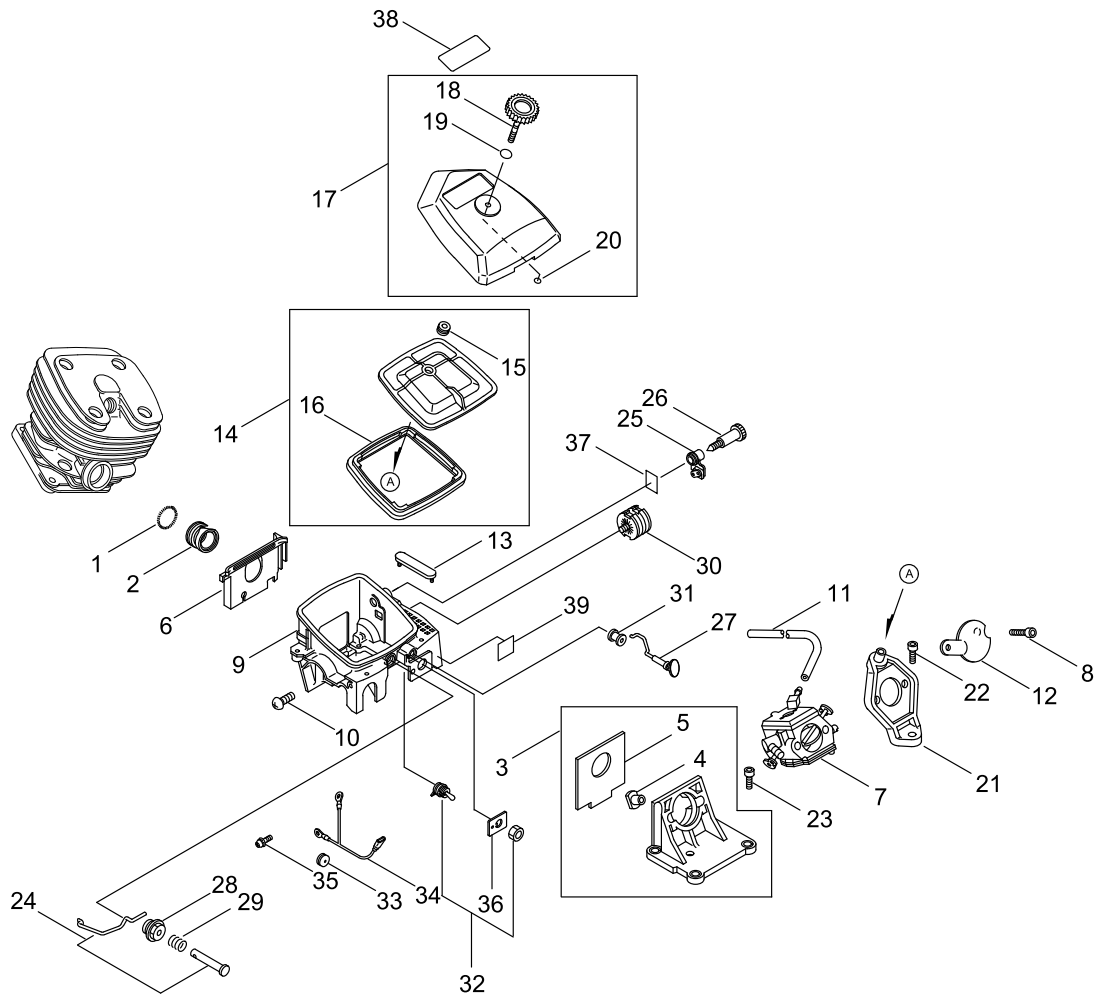
## MAGNETO

Key No.	LV (+)	Parts Number	Parts Description	Qty	Standard	Class
1		156800-32631	ROTOR, MAGNETO	1		C
2		101521-30832	FAN, COOLING	1		C
3		156601-30832	COIL, IGNITION	1		C
4		100143-19830	WASHER	1	8.2*31*0.8	C
5		V265-000200	NUT	1	M-8	C
6		177234-30830	SPRING, RETURN	2		B
7		177247-12331	SPACER, RATCHET	2		C
8		177218-30830	PAWL, STARTER	2		C
9		900603-00005	WASHER 5	2	5.5*12*0.8	
10		V203-000140	BOLT,5	2	5*30	C
11		159012-03433	CAP, SPARK PLUG	1		C
12		159011-03432	COIL, SPARK PLUG	1		C
13		159010-10230	PLUG, SPARK (BPMR-7A	1	BPMR-7A	A
14		152112-05730	BUSHING	1		C
15		150611-30830	TUBE	1	7*8.6*45	C
16		900162-04020	BOLT, H.S. 4*20	2	4*20 W,SW	
17		100142-30830	KEY, WOODRUFF	1		C

Class : Consumable class

A:Fast moving parts B:Semi-fast moving parts C:Slow moving parts D:Order only as needed

# AIR CLEANER, CARBURETOR



060619

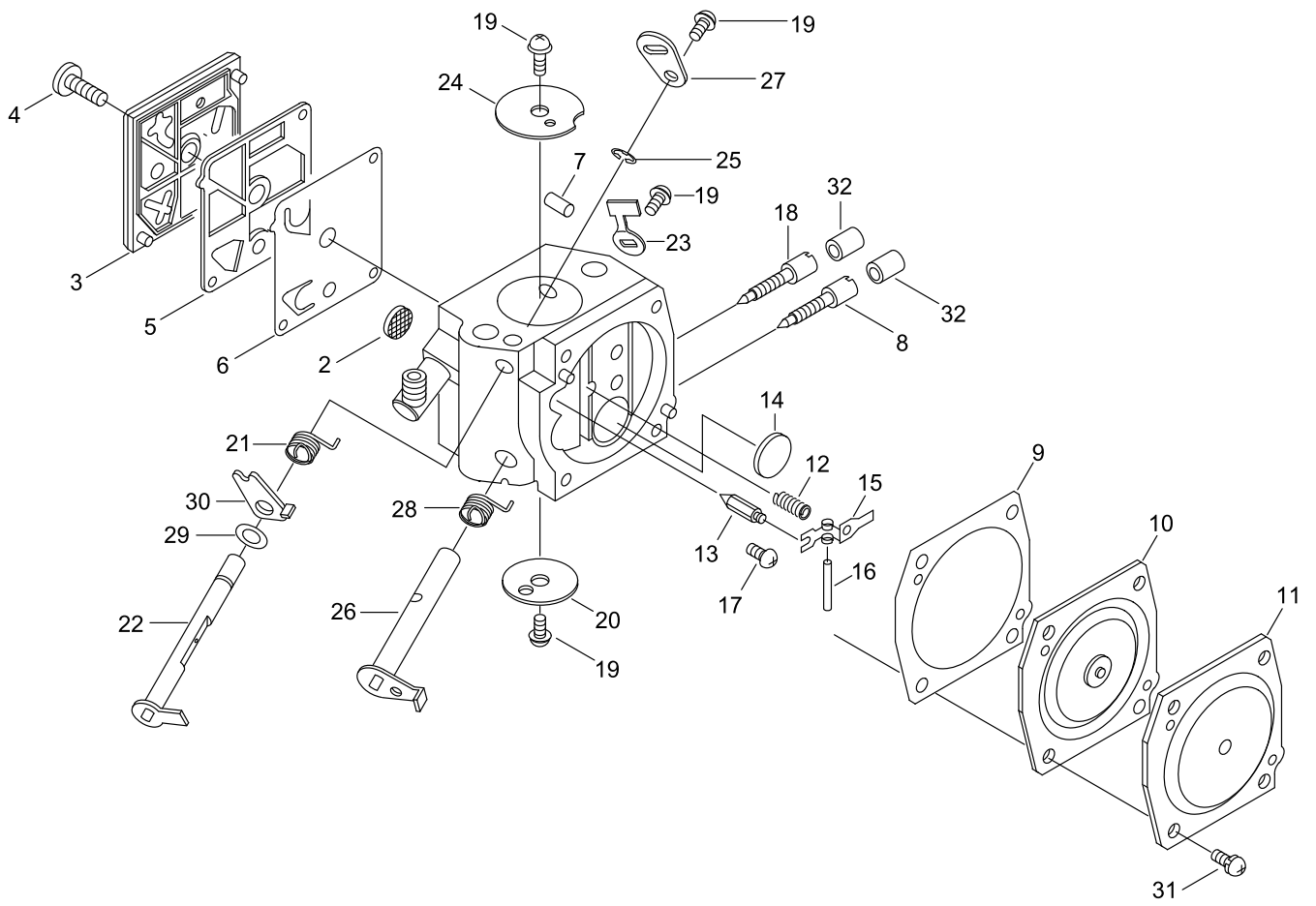
## AIR CLEANER, CARBURETOR

Key No.	LV (+)	Parts Number	Parts Description	Qty	Standard	Class
1		130516-30830	BAND	1		B
2		130510-30830	ADAPTER, INTAKE	1		C
3		130007-30832	INSULATOR, INTAKE	1		
4	+	130020-33330	NUT	2		C
5	+	130012-30831	SEAL, DUST	1		C
6		101529-30830	PLATE, GUIDE (A)	1		C
7		A021-004240	CARBURETOR,DIAPHRAGM	1	HDA-324	B
8		900162-05055	BOLT, H.S. 5*55	2	5*55 W,SW	
9		130306-30830	CASE, CARBURETOR(BS)	1		C
10		900220-04008	SCREW 4*8	1	4*8	
11		130110-30830	PIPE, IMPULSE	1		C
12		129011-19831	PLATE	1		C
13		130339-30830	PLUG	1		C
14		130303-30831	FILTER, AIR W/SEAL	1		
15	+	130356-19830	GROMMET	1		C
16	+	130320-30831	SEAL, CLEANER	1		A
17		P021-042220	COVER SET, AIR CLN	1		
18	+	130406-30830	NUT, THUMB	1		C
19	+	900720-00010	O-RING P-10	1	P-10	
20	+	900720-00003	O-RING P-3	1	P-3	
21		130405-30831	SUPPORTER, FILTER	1		C
22		900162-05020	BOLT, H.S. 5*20	1	5*20 W,SW	
23		900162-05025	BOLT, H.S. 5*25	4	5*25 W,SW	
24		P021-046010	ROD, THROTTLE KIT	1		
25		129010-38830	GROMMET, NEEDLE	1		C
26		129013-30831	SCREW, IDLE SPEED	1		D
27		A241-000320	KNOB, CHOKE	1	FAST IDEL	C
28		178114-19830	HOLDER, THR. LEVER	1		C
29		178078-19830	SPRING	1		B
30		100905-19830	CUSHION	1		B
31		178810-11231	GROMMET	1		C
32		163400-30830	SWITCH, IGNITION	1		C
33		156114-04920	GROMMET	2		C
34		V485-002720	LEAD	1		C
35		900242-04008	SCREW	2	4*8	
36		890157-19830	LABEL, SWITCH	1		D
37		890169-60831	LABEL, ADJUSTING	1		D
38		X503-009160	LABEL,MODEL	1	CS-8002 EU	D
39		890157-39131	LABEL, SWITCH	1		D

Class : Consumable class

A:Fast moving parts B:Semi-fast moving parts C:Slow moving parts D:Order only as needed

# CARBURETOR



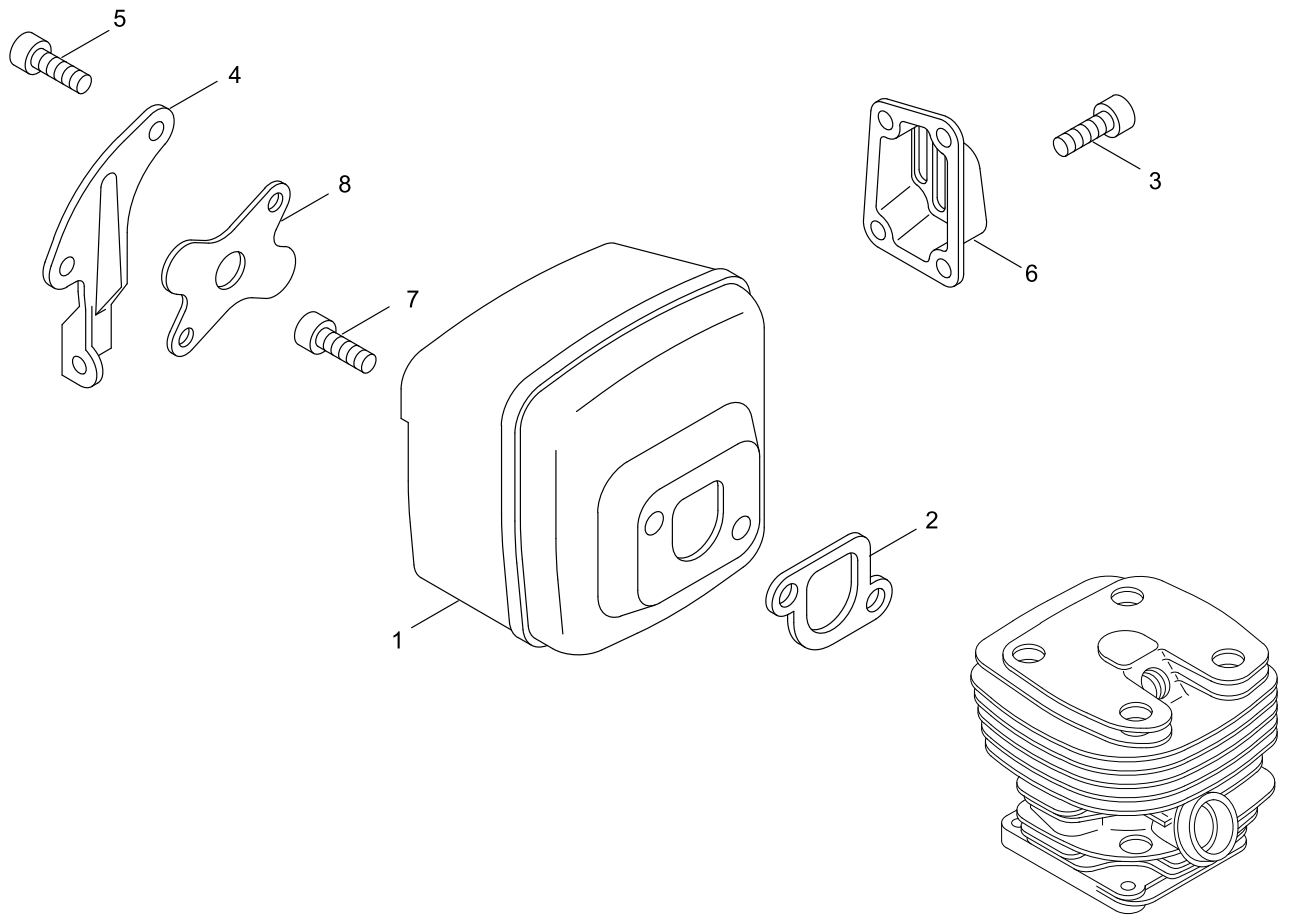
## CARBURETOR

Key No.	LV (+)	Parts Number	Parts Description	Qty	Standard	Class
		A021-004240	CARBURETOR,DIAPHRAGM	1	HDA-324	B
2	+	123126-10631	SCREEN, INLET	1		B
3	+	123124-19830	COVER, FUEL PUMP	1		D
4	+	123110-16130	SCREW, PUMP COVER	1		D
5	+	123125-12330	GASKET, FUEL PUMP	1		A
6	+	123112-12330	DIAPHRAGM, FUEL PUMP	1		A
7	+	123178-15030	PLUG, FRICTION	1		
8	+	123118-02261	NEEDLE	1		D
9	+	123140-16131	GASKET, M. DIAPHRAGM	1		
10	+	P003-004920	DIAPHRAGM ASSY	1	95-649	A
11	+	123142-17330	COVER, M. DIAPHRAGM	1		D
12	+	123122-32630	SPRING, METER. LEVER	1		D
13	+	123137-19830	VALVE, INLET NEEDLE	1		D
14	+	123146-10631	PLUG, WELCH	1		C
15	+	123123-18330	LEVER, METERING	1		D
16	+	123138-03930	PIN, METERING LEVER	1		D
17	+	123139-03930	SCREW, M. LEVER PIN	1		D
18	+	123120-32631	NEEDLE, HIGH SPEED	1		D
19	+	123114-38830	SCREW	4		D
20	+	123116-16130	VALVE, THROTTLE	1		D
21	+	123113-16130	SPRING, THRT. RETURN	1		
22	+	P003-005380	SHAFT ASSY, THROTTLE	1		
23	+	123156-30830	STOP, THROTTLE	1		D
24	+	123132-17330	VALVE, CHOKE	1		
25	+	123127-15030	RING	1		D
26	+	P003-005390	SHAFT ASY, CHOKE	1		
27	+	P003-002300	LEVER, CHOKE	1		D
28	+	P003-000610	SPRING	1		D
29	+	123149-26030	WASHER	1		D
30	+	P003-000620	LEVER-FAST IDLE	1		D
31	+	123130-02960	SCREW	4		D
32	+	P003-000010	LIMITER CAP	2		B

Class : Consumable class

A:Fast moving parts B:Semi-fast moving parts C:Slow moving parts D:Order only as needed

# MUFFLER



060619



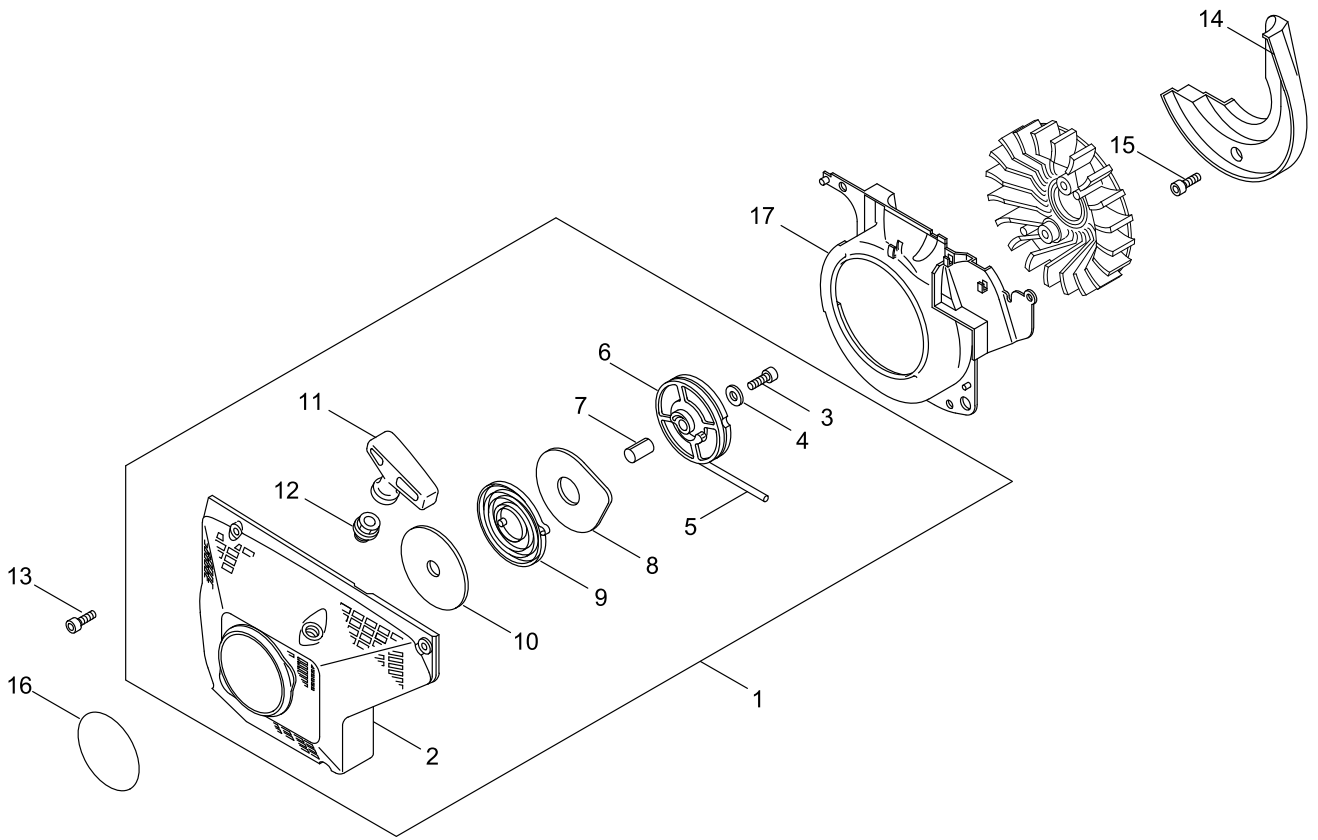
## MUFFLER

Key No.	LV (+)	Parts Number	Parts Description	Qty	Standard	Class
1		145610-30830	MUFFLER	1		C
2		145510-30830	GASKET, MUFFLER	1		A
3		900162-04010	BOLT, H.S. 4*10	4	4*10 W,SW	
4		145711-30830	BRACKET, MUFFLER	1		C
5		900162-05010	BOLT, H.S. 5*10	2	5*10 W,SW	
6		145861-30830	LID, MUFFLER	1		C
7		900162-06020	BOLT, H.S. 6*20	2	6*20 W.SW	
8		145813-31730	COVER, MUFFLER	1		C

Class : Consumable class

A:Fast moving parts B:Semi-fast moving parts C:Slow moving parts D:Order only as needed

# RECOIL STARTER



060619

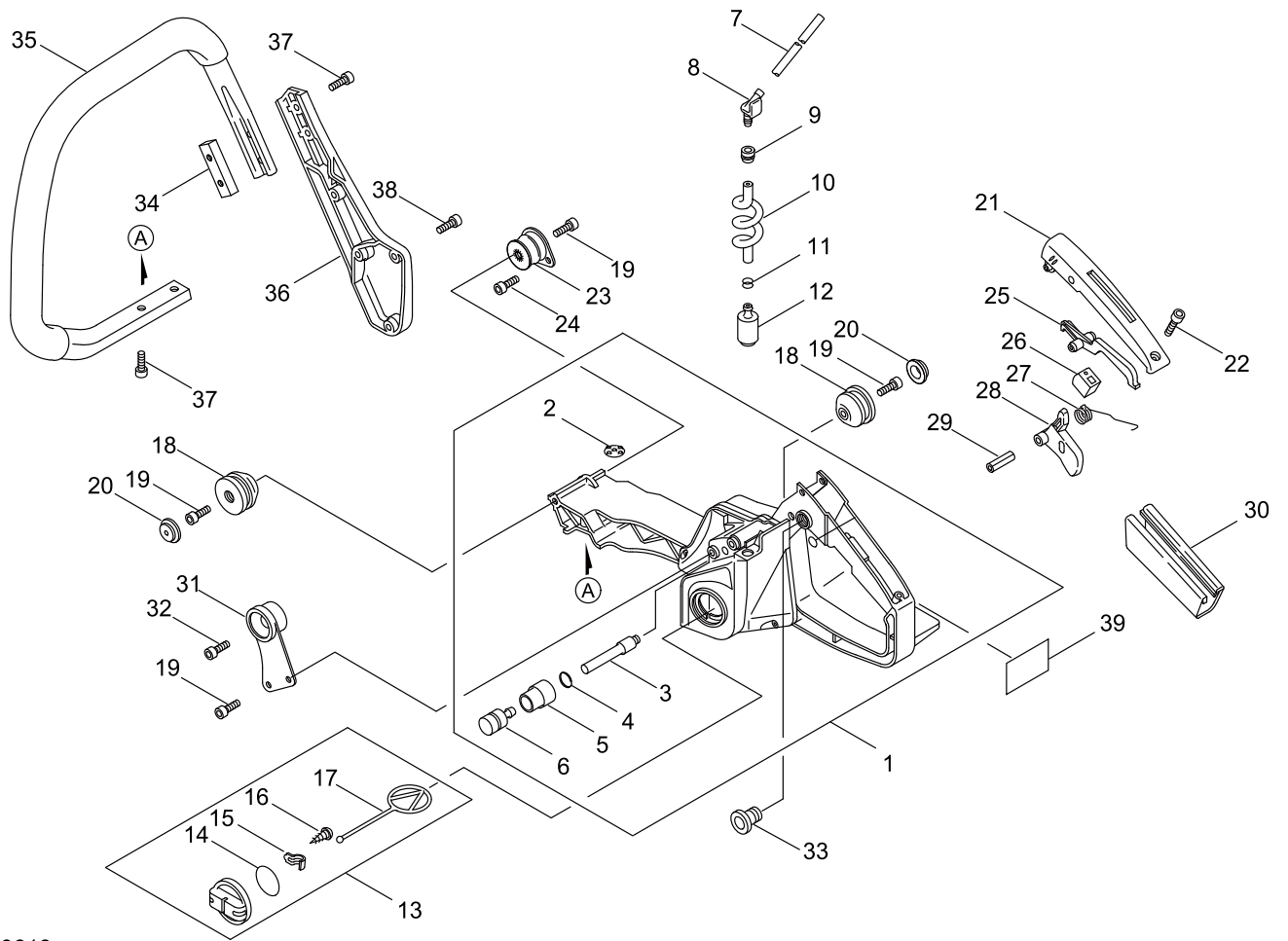
## RECOIL STARTER

Key No.	LV (+)	Parts Number	Parts Description	Qty	Standard	Class
1		P021-042240	STARTER ASSY	1		
2	+	101507-30831	COVER, FAN (BS)	1		C
3	+	900162-05014	BOLT, H.S. 5*14	1	5*14 W,SW	
4	+	177214-02830	WASHER	1	5.2*16*1.0T	C
5	+	177226-07060	ROPE, STARTER	1	4.0*950	B
6	+	177206-12330	DRUM, STARTER	1		C
7	+	177216-12330	COLLAR	1		C
8	+	177242-30830	PLATE, STARTER	1		C
9	+	177220-02834	SPRING, REWIND	1		B
10	+	177221-02830	PLATE, STARTER	1		C
11	+	177228-30830	GRIP, STARTER	1		C
12	+	177227-10630	GUIDE, ROPE	1		C
13		900162-05020	BOLT, H.S. 5*20	4	5*20 W,SW	
14		101534-30830	PLATE, GUIDE	1		C
15		900162-05020	BOLT, H.S. 5*20	2	5*20 W,SW	
16		X502-000900	LABEL,ECHO	1		D
17		101535-30830	COVER, FAN	1		C

Class : Consumable class

A:Fast moving parts B:Semi-fast moving parts C:Slow moving parts D:Order only as needed

# HANDLE



060619

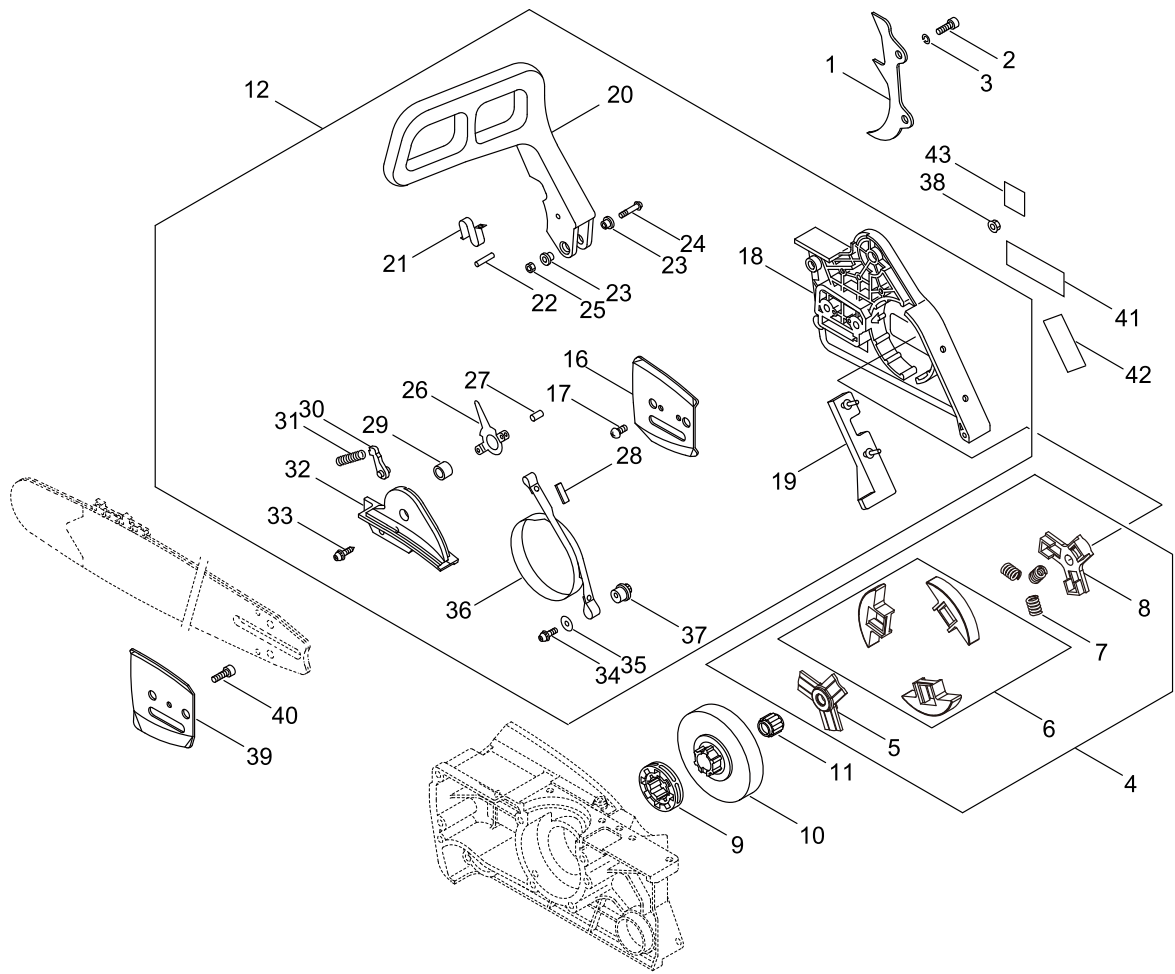
## HANDLE

Key No.	LV (+)	Parts Number	Parts Description	Qty	Standard	Class
1		351103-30833	HANDLE, REAR	1		
2	+	100252-30830	CUSHION	1		B
3	+	437210-31730	PIPE 3* 5* 55	1		C
4	+	130111-00530	CLIP	1	5.5	C
5	+	131328-40630	COVER, VENT	1		D
6	+	131300-56431	VENT ASSEMBLY, FUEL	1		B
7		132012-02960	PIPE, FUEL	1	3*6*120L	C
8		132011-33031	CONNECTOR, FUEL PIPE	1		C
9		132115-01461	GROMMET	1		C
10		132010-30830	PIPE	1		C
11		V490-001230	CLIP	1		C
12		131205-19832	STRAINER, FUEL	1		A
13		P021-037510	CAP,FUER ASSY	1		
14	+	V581-000600	RING,O	1	P29	A
15	+	131050-19830	RETAINER, LINK	1		C
16	+	900246-03008	SCREW 3*8	1	3*8	
17	+	131051-19830	LINK	1	60L	B
18		100910-30830	CUSHION	2		B
19		900162-05014	BOLT, H.S. 5*14	5	5*14 W,SW	
20		100918-19830	CAP, CUSHION	2		C
21		351155-30131	COVER, HANDLE	1		C
22		900162-04014	BOLT, H.S. 4*14	1	4*14 W,SW	
23		100922-30830	CUSHION	1		B
24		900162-04010	BOLT, H.S. 4*10	2	4*10 W,SW	
25		178090-30130	LOCKOUT, T. CONTROL	1		C
26		178073-32430	CUSHION, THROTTLE	1		B
27		178043-19830	SPRING, THR. RETURN	1		B
28		178010-19830	CONTROL, THROTTLE	1		C
29		900342-50025	PIN, SPRING 5*25	1	5*25	
30		351111-19830	GRIP, HANDLE	1		C
31		100917-30830	CUSHION	1		B
32		900162-05020	BOLT, H.S. 5*20	1	5*20 W,SW	
33		V162-000040	PLUG	1		C
34		305114-06060	BRACKET	1		C
35		351606-60831	HANDLE, FRONT	1		C
36		351614-60830	BRACKET, F. HNDL. BS	1		C
37		900162-05020	BOLT, H.S. 5*20	4	5*20 W,SW	
38		900162-05020	BOLT, H.S. 5*20	4	5*20 W,SW	
39		890157-39130	LABEL, SWITCH	1		D

Class : Consumable class

A:Fast moving parts B:Semi-fast moving parts C:Slow moving parts D:Order only as needed

# CHAIN BRAKE



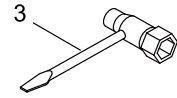
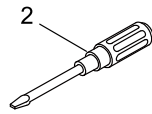
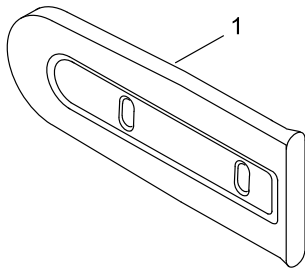
## CHAIN BRAKE

Key No.	LV (+)	Parts Number	Parts Description	Qty	Standard	Class
1		880210-30830	BUMPER, SPIKED	1		C
2		900105-06020	BOLT HSH	2	6*20	
3		900605-00006	WASHER, SPRING	2	6	
4		A056-000730	CLUTCH ASY	1		B
5	+	A552-000360	HUB, CLUTCH	1		B
6	+	P021-042250	SHOE, CLUTCH	1		
7	+	A566-000210	CLUTCH SPRING	3		B
8	+	A552-000370	HUB, CLUTCH	1		B
9		175033-14731	SPROCKET, RIM 68210S	1		B
10		175105-30831	DRUM, CLUTCH	1		B
11		175012-30831	BEARING, NEEDLE	1		C
12		P021-050690	BRAKE,ASM CHAIN	1		
16	+	433012-30830	PLATE, GUIDE (OUTER)	1		C
17	+	900241-03006	SCREW	2	3*6	
18	+	433010-60830	GUARD, SPROCKET	1		C
19	+	433025-60830	PAD, GUARD	1		B
20	+	433105-60830	LEVER, BRAKE	1		C
21	+	433114-38331	SPRING	1		C
22	+	900330-35260	ROLLER	1	3.5*26	
23	+	433167-39130	SPACER	2		C
24	+	91335-05035	SCREW	1	5*35	
25	+	900562-50005	NUT, LOCK	1	5	
26	+	433208-35431	CONNECTOR,BRAKE	1		C
27	+	900330-40088	ROLLER	1	4*8.8	
28	+	433312-32630	COVER, SEAL	1		D
29	+	433115-38330	WASHER 5.2*12*14	1	5.2*12*14	C
30	+	433209-35430	STOPPER, BRAKE	1		D
31	+	433122-38130	SPRING, BRAKE	1		B
32	+	433310-60830	COVER, BRAKE	1		C
33	+	900238-04010	SCREW	2	4*10	
34	+	900238-05025	SCREW	1	5*25	
35	+	351249-06960	WASHER	1		C
36	+	433123-60830	BAND, BRAKE	1		C
37	+	433142-60830	ADJUSTER, BRAKE	1		D
38		V265-000200	NUT	2		C
39		433013-30830	PLATE, GUIDE (INNER)	1		C
40		900241-04008	SCREW	1	4*8	
41		X502-000560	LABEL,ECHO	1		D
42		890155-30131	LABEL, CAUTION	1		D
43		890316-39131	LABEL, CAUTION	1		D

Class : Consumable class

A:Fast moving parts B:Semi-fast moving parts C:Slow moving parts D:Order only as needed

# ACCESSORIES



060619



## ACCESSORIES

Key No.	LV (+)	Parts Number	Parts Description	Qty	Standard	Class
1		X490-000481	SCABBARD,CHAIN	1		D
2		895812-03930	DRIVER, SCREW 50	1		D
3		X602-000080	TOOL,WRENCH	1	13*19 L180	D

Class : Consumable class

A:Fast moving parts B:Semi-fast moving parts C:Slow moving parts D:Order only as needed

# NUMERICAL PARTS INDEX

Part No	Part description	Page	Part No	Part description	Page	Part No	Part description	Page
100011-30831	RING, PISTON	2	123139-03930	SCREW, M. LEVER PIN	12	156800-32631	ROTOR, MAGNETO	8
100012-30830	BEARING, NEEDLE	2	123140-16131	GASKET, M. DIAPHRAGM	12	159010-10230	PLUG, SPARK (BPMR-7A	8
100015-30830	CIRCLIP, PISTON PIN	2	123142-17330	COVER, M. DIAPHRAGM	12	159011-03432	COIL, SPARK PLUG	8
100100-30830	CRANKSHAFT ASSY	2	123146-10631	PLUG, WELCH	12	159012-03433	CAP, SPARK PLUG	8
100142-30830	KEY, WOODRUFF	8	123149-26030	WASHER	12	163400-30830	SWITCH, IGNITION	10
100143-19830	WASHER	8	123156-30830	STOP, THROTTLE	12	175012-30831	BEARING, NEEDLE	20
100204-30833	CRANKCASE KIT	4	123178-15030	PLUG, FRICTION	12	175033-14731	SPROCKET, RIM 68210S	20
100212-19830	OILSEAL	4	129010-38830	GROMMET, NEEDLE	10	175105-30831	DRUM, CLUTCH	20
100213-30830	OILSEAL	4	129011-19831	PLATE	10	177206-12330	DRUM, STARTER	16
100242-30830	GASKET, CRANKCASE	4	129013-30831	SCREW, IDLE SPEED	10	177214-02830	WASHER	16
100252-30830	CUSHION	18	130007-30832	INSULATOR, INTAKE	10	177216-12330	COLLAR	16
100905-19830	CUSHION	10	130012-30831	SEAL, DUST	10	177218-30830	PAWL, STARTER	8
100910-30830	CUSHION	18	130020-33330	NUT	10	177220-02834	SPRING, REWIND	16
100917-30830	CUSHION	18	130110-30830	PIPE, IMPULSE	10	177221-02830	PLATE, STARTER	16
100918-19830	CAP, CUSHION	18	130111-00530	CLIP	18	177226-07060	ROPE, STARTER	16
100921-30830	CUSHION	4	130303-30831	FILTER, AIR W/SEAL	10	177227-10630	GUIDE, ROPE	16
100922-30830	CUSHION	18	130306-30830	CASE, CARBURETOR(BS)	10	177228-30830	GRIP, STARTER	16
101010-30830	GASKET, CYL. BASE	2	130320-30831	SEAL, CLEANER	10	177234-30830	SPRING, RETURN	8
101501-31732	COVER KIT, CYLINDER	4	130339-30830	PLUG	10	177242-30830	PLATE, STARTER	16
101507-30831	COVER, FAN (BS)	16	130356-19830	GROMMET	10	177247-12331	SPACER, RATCHET	8
101520-33330	COVER	4	130405-30831	SUPPORTER, FILTER	10	178010-19830	CONTROL, THROTTLE	18
101521-30832	FAN, COOLING	8	130406-30830	NUT, THUMB	10	178043-19830	SPRING, THR. RETURN	18
101529-30830	PLATE, GUIDE (A)	10	130510-30830	ADAPTER, INTAKE	10	178073-32430	CUSHION, THROTTLE	18
101534-30830	PLATE, GUIDE	16	130516-30830	BAND	10	178078-19830	SPRING	10
101535-30830	COVER, FAN	16	131050-19830	RETAINER, LINK	4	178090-30130	LOCKOUT, T. CONTROL	18
101541-30831	PLATE, GUIDE	4	131050-19830	RETAINER, LINK	18	178114-19830	HOLDER, THR. LEVER	10
101578-30830	PLUG	4	131051-19830	LINK	4	178810-11231	GROMMET	10
123110-16130	SCREW, PUMP COVER	12	131051-19830	LINK	18	305114-06060	BRACKET	18
123112-12330	DIAPHRAGM, FUEL PUMP	12	131205-19832	STRAINER, FUEL	18	351103-30833	HANDLE, REAR	18
123113-16130	SPRING, THR. RETURN	12	131300-56431	VENT ASSEMBLY, FUEL	18	351111-19830	GRIP, HANDLE	18
123114-38830	SCREW	12	131328-40630	COVER, VENT	18	351155-30131	COVER, HANDLE	18
123116-16130	VALVE, THROTTLE	12	132010-30830	PIPE	18	351249-06960	WASHER	20
123118-02261	NEEDLE	12	132011-33031	CONNECTOR, FUEL PIPE	18	351606-60831	HANDLE, FRONT	18
123120-32631	NEEDLE, HIGH SPEED	12	132012-02960	PIPE, FUEL	18	351614-60830	BRACKET, F. HNDL. BS	18
123122-32630	SPRING, METER. LEVER	12	132115-01461	GROMMET	18	433010-60830	GUARD, SPROCKET	20
123123-18330	LEVER, METERING	12	132115-12330	GROMMET	6	433011-19831	STUD, GUIDE BAR	4
123124-19830	COVER, FUEL PUMP	12	145510-30830	GASKET, MUFFLER	14	433012-30830	PLATE, GUIDE (OUTER)	20
123125-12330	GASKET, FUEL PUMP	12	145610-30830	MUFFLER	14	433013-30830	PLATE, GUIDE (INNER)	20
123126-10631	SCREEN, INLET	12	145711-30830	BRACKET, MUFFLER	14	433014-02830	TENSIONER	6
123127-15030	RING	12	145813-31730	COVER, MUFFLER	14	433016-11031	SCREW, TENSIONER	6
123130-02960	SCREW	12	145861-30830	LID, MUFFLER	14	433025-60830	PAD, GUARD	20
123132-17330	VALVE, CHOKE	12	150611-30830	TUBE	8	433028-11030	CLIP	6
123137-19830	VALVE, INLET NEEDLE	12	152112-05730	BUSHING	8	433105-60830	LEVER, BRAKE	20
123138-03930	PIN, METERING LEVER	12	156114-04920	GROMMET	10	433114-38331	SPRING	20
			156601-30832	COIL, IGNITION	8	433115-38330	WASHER 5.2*12*14	20

# NUMERICAL PARTS INDEX

Part No	Part description	Page	Part No	Part description	Page	Part No	Part description	Page
433122-38130	SPRING, BRAKE	20	900162-04020	BOLT, H.S. 4*20	8	A241-000320	KNOB, CHOKE	10
433123-60830	BAND, BRAKE	20	900162-05010	BOLT, H.S. 5*10	14	A552-000360	HUB, CLUTCH	20
433142-60830	ADJUSTER, BRAKE	20	900162-05014	BOLT HSH	4	A552-000370	HUB, CLUTCH	20
433167-39130	SPACER	20	900162-05014	BOLT, H.S. 5*14	16	A566-000210	CLUTCH SPRING	20
433208-35431	CONNECTOR,BRAKE	20	900162-05014	BOLT, H.S. 5*14	18	P003-000010	LIMITER CAP	12
433209-35430	STOPPER, BRAKE	20	900162-05020	BOLT HSH	4	P003-000610	SPRING	12
433310-60830	COVER, BRAKE	20	900162-05020	BOLT HSH	6	P003-000620	LEVER-FAST IDLE	12
433312-32630	COVER, SEAL	20	900162-05020	BOLT, H.S. 5*20	10	P003-002300	LEVER, CHOKE	12
436001-31730	CAP ASSY, OIL TANK	4	900162-05020	BOLT, H.S. 5*20	16	P003-004920	DIAPHRAGM ASSY	12
436114-13930	VALVE, CHECK	4	900162-05020	BOLT, H.S. 5*20	18	P003-005380	SHAFT ASSY, THROTTLE	12
436205-14730	STRAINER, OIL	6	900162-05025	BOLT, H.S. 5*25	10	P003-005390	SHAFT ASY, CHOKE	12
437002-37530	AUTO-OILER ASSY	4	900162-05035	BOLT HSH	4	P021-005410	CYLINDER ASY	2
437012-00330	VALVE, BALL	4	900162-05055	BOLT, H.S. 5*55	10	P021-005421	PISTON KIT	2
437015-19830	SPRING	6	900162-06020	BOLT, H.S. 6*20	14	P021-037510	CAP,FUER ASSY	18
437039-30830	KNOB	6	900162-06025	BOLT, H.S. 6*25	2	P021-042201	CHAIN CATCHER KIT	4
437063-33231	GEAR, WORM	4	900220-04008	SCREW 4*8	10	P021-042220	COVER SET, AIR CLN	10
437066-30831	WASHER, CIRCULAR	4	900238-04010	SCREW	20	P021-042240	STARTER ASSY	16
437100-19832	OILER ASY, MANUAL	4	900238-05014	SCREW	4	P021-042250	SHOE, CLUTCH	20
437110-19831	BODY, OIL PUMP	4	900238-05025	SCREW	20	P021-046010	ROD, THROTTLE KIT	10
437111-19830	SPRING	4	900241-03006	SCREW	20	P021-050690	BRAKE,ASM CHAIN	20
437112-19831	PISTON, MANUAL	4	900241-04008	SCREW	20	V162-000040	PLUG	18
437118-19830	NIPPLE	4	900242-04008	SCREW	10	V203-000140	BOLT,5	8
437121-10130	ADAPTER, OIL PUMP	4	900246-03008	SCREW, TAPPING	4	V265-000200	NUT	8
437122-03430	O-RING	4	900246-03008	SCREW 3*8	18	V265-000200	NUT	20
437210-30830	PIPE, OIL	6	900330-35260	ROLLER	20	V450-000290	SPRING,COMPRESSION	4
437210-31730	PIPE 3* 5* 55	18	900330-40088	ROLLER	20	V485-002720	LEAD	10
437210-38330	PIPE, OIL	6	900342-50025	PIN, SPRING 5*25	18	V490-001230	CLIP	6
437211-32430	PIPE	6	900345-20016	PIN, SPRING	4	V490-001230	CLIP	18
437212-32430	CONNECTOR, OIL PIPE	6	900345-50010	PIN, SPRING	4	V581-000600	RING,O	18
437605-32430	COVER, OIL PUMP	4	900562-50005	NUT, LOCK	20	V611-000000	PIN,ENG 13	2
880210-30830	BUMPER, SPIKED	20	900600-00005	WASHER	4	X490-000481	SCABBARD,CHAIN	22
890155-30131	LABEL, CAUTION	20	900603-00005	WASHER 5	8	X502-000560	LABEL,ECHO	20
890157-19830	LABEL, SWITCH	10	900605-00006	WASHER, SPRING	20	X502-000900	LABEL,ECHO	16
890157-39130	LABEL, SWITCH	18	900700-00003	RETAINING RING, EXTERNAL-E	6	X503-009160	LABEL,MODEL	10
890157-39131	LABEL, SWITCH	10	900720-00003	O-RING	6	X602-000080	TOOL,WRENCH	22
890169-60831	LABEL, ADJUSTING	10	900720-00003	O-RING P-3	10			
890316-39131	LABEL, CAUTION	20	900720-00007	O-RING	4			
890345-39231	LABEL,CAUTION	4	900720-00010	O-RING P-10	10			
890631-38131	LABEL, CAUTION	4	900721-00025	O-RING	4			
895812-03930	DRIVER, SCREW 50	22	900810-36203	BEARING, BALL	4			
900105-06020	BOLT HSH	20	91335-05035	SCREW	20			
900162-04010	BOLT, H.S. 4*10	14	A021-004240	CARBURETOR, DIAPHRAGM	10			
900162-04010	BOLT, H.S. 4*10	18	A021-004240	CARBURETOR, DIAPHRAGM	12			
900162-04014	BOLT HSH	4	A056-000730	CLUTCH ASY	20			
900162-04014	BOLT, H.S. 4*14	18						