

# CS-620SX

Serial Number

36001651-99999999

Last updated date

09/Jan/2023

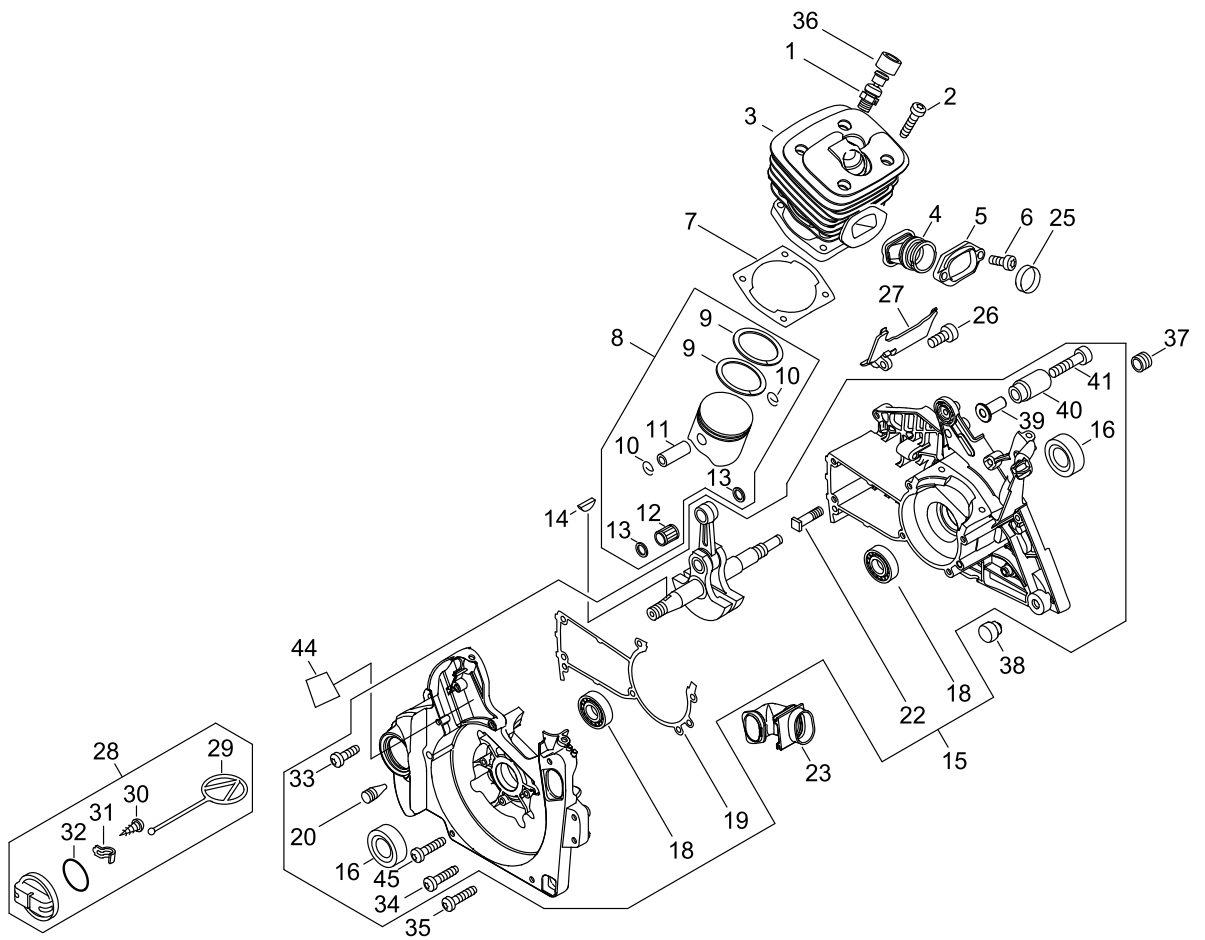


## TABLE OF CONTENTS

---

CYLINDER, CRANKCASE, PISTON .....	1
CARBURETOR, AIR CLEANER.....	3
STARTER, MAGNETO.....	5
HANDLE.....	7
CLUTCH, SPROCKET .....	11
ACCESSORIES .....	15
CARBURETOR.....	17
GUIDE BAR, CHAIN.....	19

# CYLINDER, CRANKCASE, PISTON



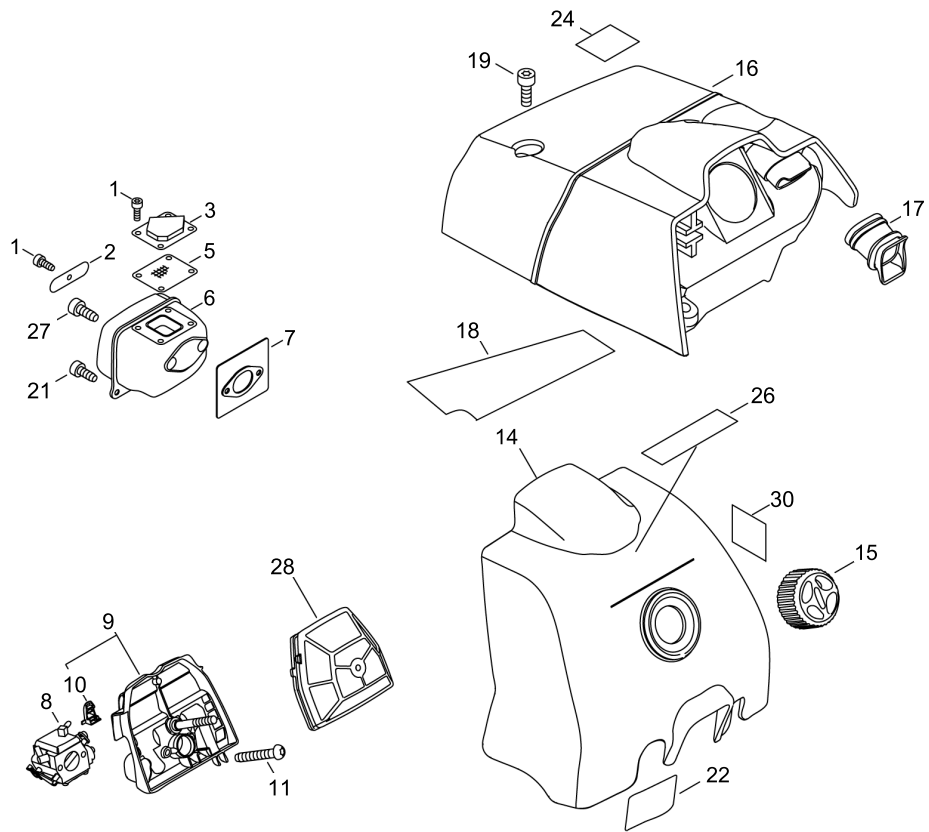
## CYLINDER, CRANKCASE, PISTON

Key No.	LV (+)	Parts Number	Parts Description	Qty	Standard	Class
1		A014-000110	RELEASE ASY., COMP.	1		B
2		V805-000220	BOLT, TORX 5	4	TB-5*25 12.9	C
3		A130-002160	CYLINDER	1		D
4		A202-000081	BELLOWS, INTAKE	1		C
5		A206-000010	HOLDER, BELLOWS	1		C
6		V805-000000	BOLT, TORX 5	2	TT-5*16 DG 10.9	C
7		V100-000270	GASKET,CYL	1		B
8		P021-043990	PISTON KIT	1		
9	+	A101-000210	RING, PISTON	2	45*1.5*1.9	B
10	+	V580-000030	RING,END	2	D 1.0	C
11	+	V609-000010	PIN,ENG 11	1	7*11*37.6	D
12	+	V556-000000	BEARING,NEEDLE 11	1	KBK11*15*15.8X2	C
13	+	V308-000040	WASHER,CIRCULAR 11	2	11.2*19.5*0.5	C
14		100142-30830	KEY, WOODRUFF	1		C
15		P200-001410	CRANKCASE ASY	1		D
16	+	V508-000010	SEAL,OIL 15	2	ISCD 15*25*7	C
18	+	94036-46202	BEARING, BALL	2	6202	
19	+	V102-000060	GASKET,CRANKCASE	1	T0.4	B
20	+	436114-13930	VALVE, CHECK	1		B
22	+	V205-000401	BOLT,8	2		C
33	+	V805-000010	BOLT, TORX 5	2	TT-5*20 DG 10.9	C
34	+	V805-000020	BOLT, TORX 5	4	TT-5*35 DG 10.9	C
39	+	C310-000030	CATCHER,CHAIN	1		B
40	+	V353-000120	COLLAR,5	1		C
41	+	V805-000020	BOLT, TORX 5	1	TT-5*35 DG 10.9	C
45	+	V805-000010	BOLT, TORX 5	4	TT-5*20 DG 10.9	C
23		A239-000060	PIPE, INTAKE	1		C
25		V360-000060	COLLAR,18	1		C
26		V805-000000	BOLT, TORX 5	1	TT-5*16 DG 10.9	C
27		E106-000020	GUIDE,AIR	1		C
28		P021-016031	CAP, OIL	1		
29	+	131051-19830	LINK	1	60L	B
30	+	900246-03008	SCREW, TAPPING	1	3*8	
31	+	131050-19830	RETAINER, LINK	1		C
32	+	900720-00028	O-RING	1	P-28	
35		V805-000170	BOLT, TORX 5	1	TB-5*25 10.9	C
36		V141-000090	GROMMET,PLUG	1		B
37		132115-01461	GROMMET	1		C
38		V420-003800	CUSHION	2		B
44		V376-001780	SPACER	1		C

Class : Consumable class

A:Fast moving parts B:Semi-fast moving parts C:Slow moving parts D:Order only as needed

# CARBURETOR, AIR CLEANER



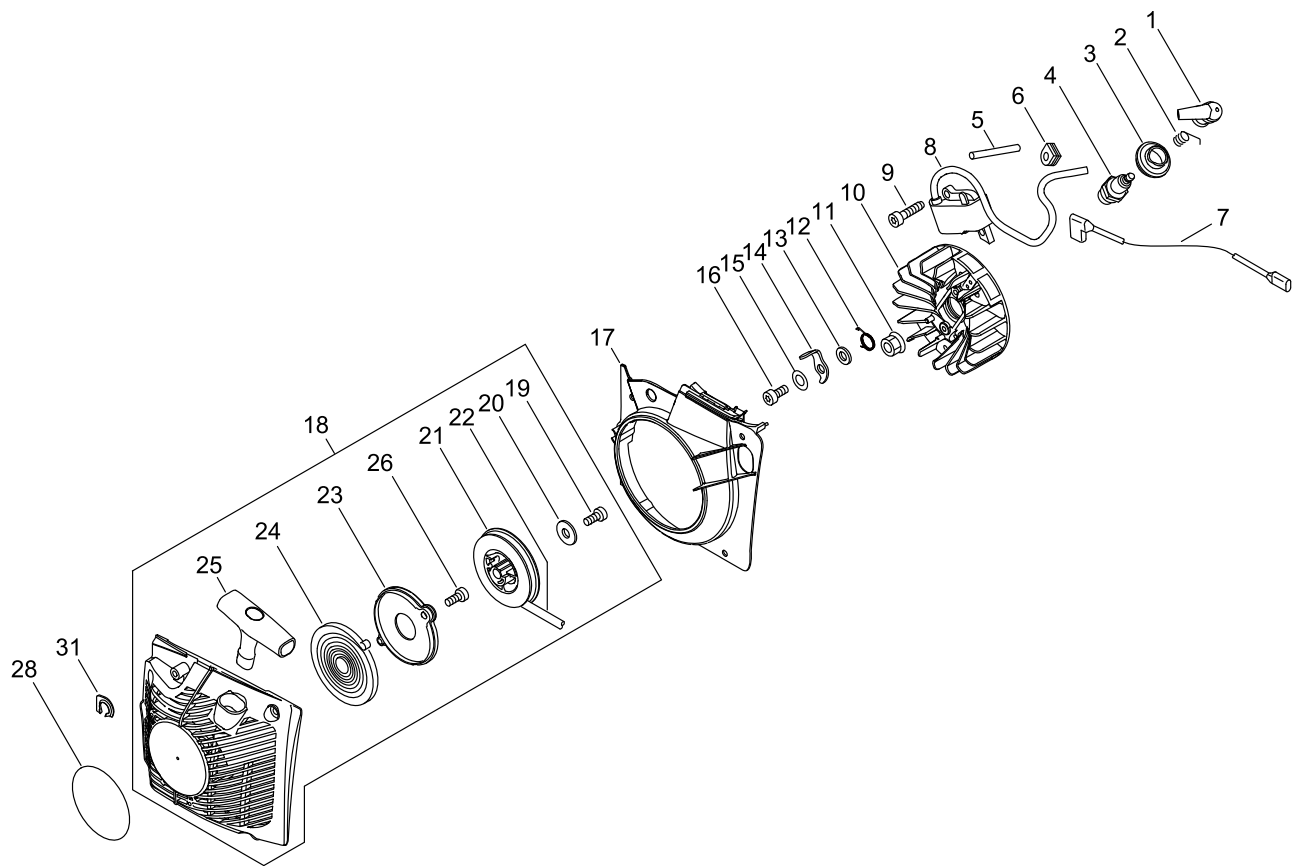
## CARBURETOR, AIR CLEANER

Key No.	LV (+)	Parts Number	Parts Description	Qty	Standard	Class
1		V804-000030	BOLT, TORX 4	5	TB-4*8 10.9	C
2		A301-000030	PLATE, MUFFLER	1	T0.5	C
3		A031-000040	GUIDE, EXHAUST	1	ID#2110	C
5		A310-000100	SCREEN, ARRESTOR	1		B
6		A300-001810	MUFFLER, EXHAUST	1		C
7		V104-002150	GASKET,EXHAUST	1	T 1.6	A
8		A021-004150	CARBURETOR,DIAPHRAGM	1		B
9		P021-016022	CASE,CLEANER	1		C
10	+	A219-000000	SHUTTER, AIR	1		C
11		V805-000080	BOLT, TORX 5	2	TB-5*50 10.9	C
14		A232-000472	LID,CLEANER	1		C
15		A235-000191	KNOB,CLEANER LID	1		C
16		A160-001081	COVER,CYLINDER	1		C
17		A239-000070	PIPE, INTAKE	1		C
18		V341-000140	WASHER,SQUARE	1	75*32*0.15	C
19		V805-000000	BOLT, TORX 5	3	TT-5*16 DG 10.9	C
21		V855-000010	BOLT, TORX 5	2	TB-5*25 12.9	C
22		890157-39131	LABEL, SWITCH	1		D
24		890345-39231	LABEL,CAUTION	1		D
26		X503-012510	LABEL,MODEL	1	CS-620SX	D
27		V805-000210	BOLT, TORX 5	2	TB-5*20 12.9	C
28		P021-016371	ELEMENT,AIR FILTER	1		
30		X505-006921	LABEL,CAUTION	1	13000R/MIN	D

Class : Consumable class

A:Fast moving parts B:Semi-fast moving parts C:Slow moving parts D:Order only as needed

# STARTER, MAGNETO





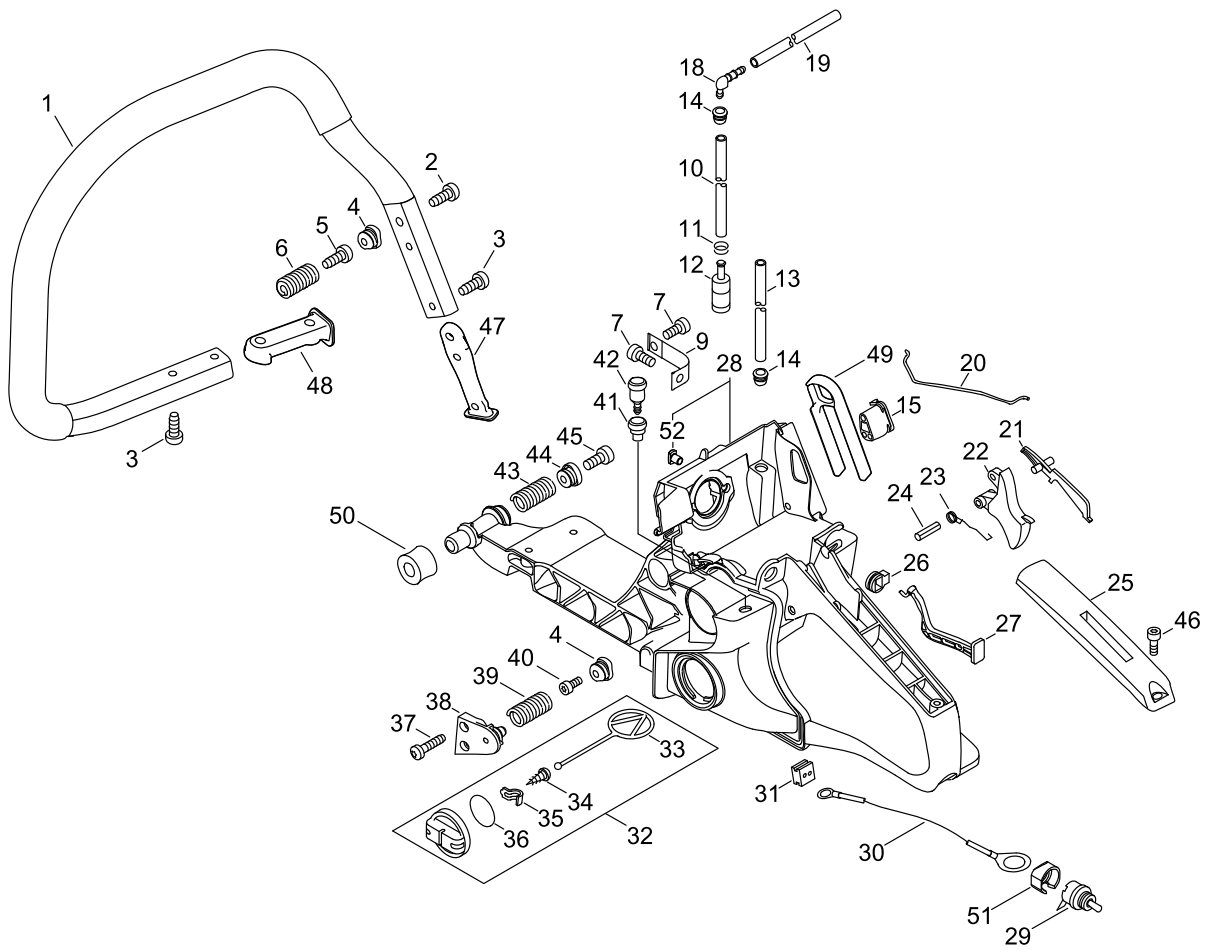
## STARTER, MAGNETO

Key No.	LV (+)	Parts Number	Parts Description	Qty	Standard	Class
1		A427-000013	CAP,SPARK PLUG	1		C
2		A426-000010	TERMINAL,SPARKPLUG	1		C
3		A429-000040	COVER,CAP	1		C
4		A425-000000	SPARKPLUG	1	BPMR8Y	A
5		V475-004130	TUBE	1		C
6		156110-04920	BUSHING	1		C
7		V485-001091	LEAD	1	AVX0.75F	C
8		P021-044000	COIL, IGNITION	1	CS-620P	
9		V805-000000	BOLT, TORX 5	2	TT-5*16 DG 10.9	C
10		A409-000360	ROTOR, MAGNETO	1		C
11		900515-00008	NUT, FLANGE	1	8	
12		177234-35430	SPRING, RETURN	2		B
13		177247-04630	SPACER, RATCHET	2	5.2*8*2.1	C
14		177218-19830	PAWL, STARTER	2		C
15		900603-00005	WASHER	2	5	
16		V835-000000	BOLT, TORX 5	2		C
17		A172-000842	COVER,FAN	1		C
18		P021-041832	STARTER ASY	1		
19	+	V805-000130	BOLT, TORX 5	1	TB-5*10 10.9	C
20	+	177214-02830	WASHER	1	5.2*16*1.0T	C
21	+	A506-000112	REEL, ROPE	1		C
22	+	A509-000460	ROPE	1		B
23	+	A503-000032	PLATE, STARTER	1		C
24	+	177220-35430	SPRING, REWIND	1		B
25	+	A511-000072	GRIP, STARTER	1		C
26	+	V804-000000	BOLT, TORX 4	2	TT-4*12 DG 10.9	C
28		X502-000900	LABEL,ECHO	1		D
31		V150-003800	PLATE,EYE	1		C

Class : Consumable class

A:Fast moving parts B:Semi-fast moving parts C:Slow moving parts D:Order only as needed

# HANDLE



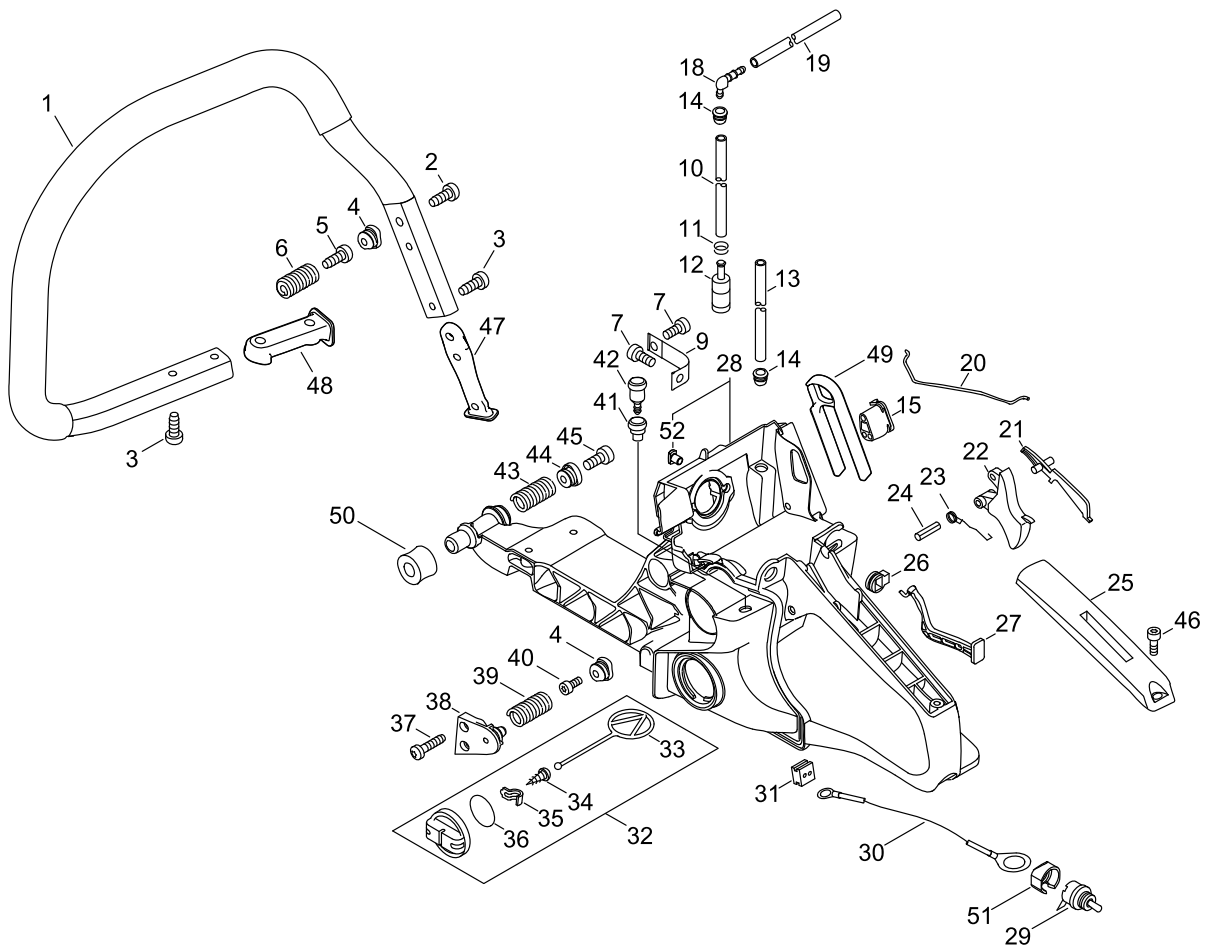
## HANDLE

Key No.	LV (+)	Parts Number	Parts Description	Qty	Standard	Class
1		C400-001170	HANDLE, FRONT	1		C
2		V806-000000	BOLT, TORX 6	1	TT-6*20 DG 10.9	C
3		V805-000010	BOLT, TORX 5	4	TT-5*20 DG 10.9	C
4		V456-000080	HOLDER,SPRING	2	14.4	C
5		V805-000000	BOLT, TORX 5	1	TT-5*16 DG 10.9	C
6		V450-000730	SPRING,COMPRESSION	1	17*38.4	B
7		V805-000000	BOLT, TORX 5	2	TT-5*16 DG 10.9	C
9		C617-000362	STOPPER	1		C
10		V471-000600	PIPE	1	3*5*120	C
11		V490-001240	CLIP	1		C
12		131205-19832	STRAINER, FUEL	1		A
13		130110-30830	PIPE, IMPULSE	1		C
14		132115-01461	GROMMET	2		C
15		V131-000020	GROMMET,NEEDLE	1		C
18		V186-000500	JOINT,PIPE	1		C
19		130110-14530	PIPE, IMPULSE	1	3*6*135L	C
20		C454-000170	ROD, THROTTLE	1		C
21		178090-37930	LOCKOUT, T. CONTROL	1		C
22		C450-000360	CONTROL, THROTTLE	1		C
23		V452-000260	SPRING,TORSION	1		B
24		900345-40025	PIN, SPRING 4*25SUS	1	4*25SUS	
25		C411-000001	LID,HANDLE	1		C
26		V130-000030	GROMMET,CHOKE	1		C
27		A241-000171	KNOB, CHOKE	1		C
28		C410-001252	HANDLE, REAR	1		C
52	+	V263-000450	NUT,5	2		C
29		A440-001190	SWITCH, ON OFF	1		C
30		V485-001101	LEAD	1	L:170/LA105	C
31		150114-04920	BUSHING	1		C
32		P021-016041	CAP,FUER ASSY	1		
33	+	131051-19830	LINK	1	60L	B
34	+	900246-03008	SCREW 3*8	1	3*8	
35	+	131050-19830	RETAINER, LINK	1		C
36	+	900720-20029	O-RING 29	1	P-29	
37		V805-000010	BOLT, TORX 5	2	TT-5*20 DG 10.9	C
38		V456-000090	HOLDER,SPRING	1		C
39		V450-000760	SPRING,COMPRESSION	1	17*36.7*2.6	B
40		V805-000230	BOLT, TORX 5	1	TT-5*25 DG 10.9	C
41		A359-000000	COVER,VENT	1	22.5*D18*D8.5	D
42		131300-56431	VENT ASSEMBLY, FUEL	1		B
43		V450-000770	SPRING,COMPRESSION	1	20*40*3.3	B
44		V456-000101	HOLDER,SPRING	1		C
45		V806-000000	BOLT, TORX 6	1	TT-6*20 DG 10.9	C
46		V804-000000	BOLT, TORX 4	1	TT-4*12 DG 10.9	C

Class : Consumable class

A:Fast moving parts B:Semi-fast moving parts C:Slow moving parts D:Order only as needed

# HANDLE



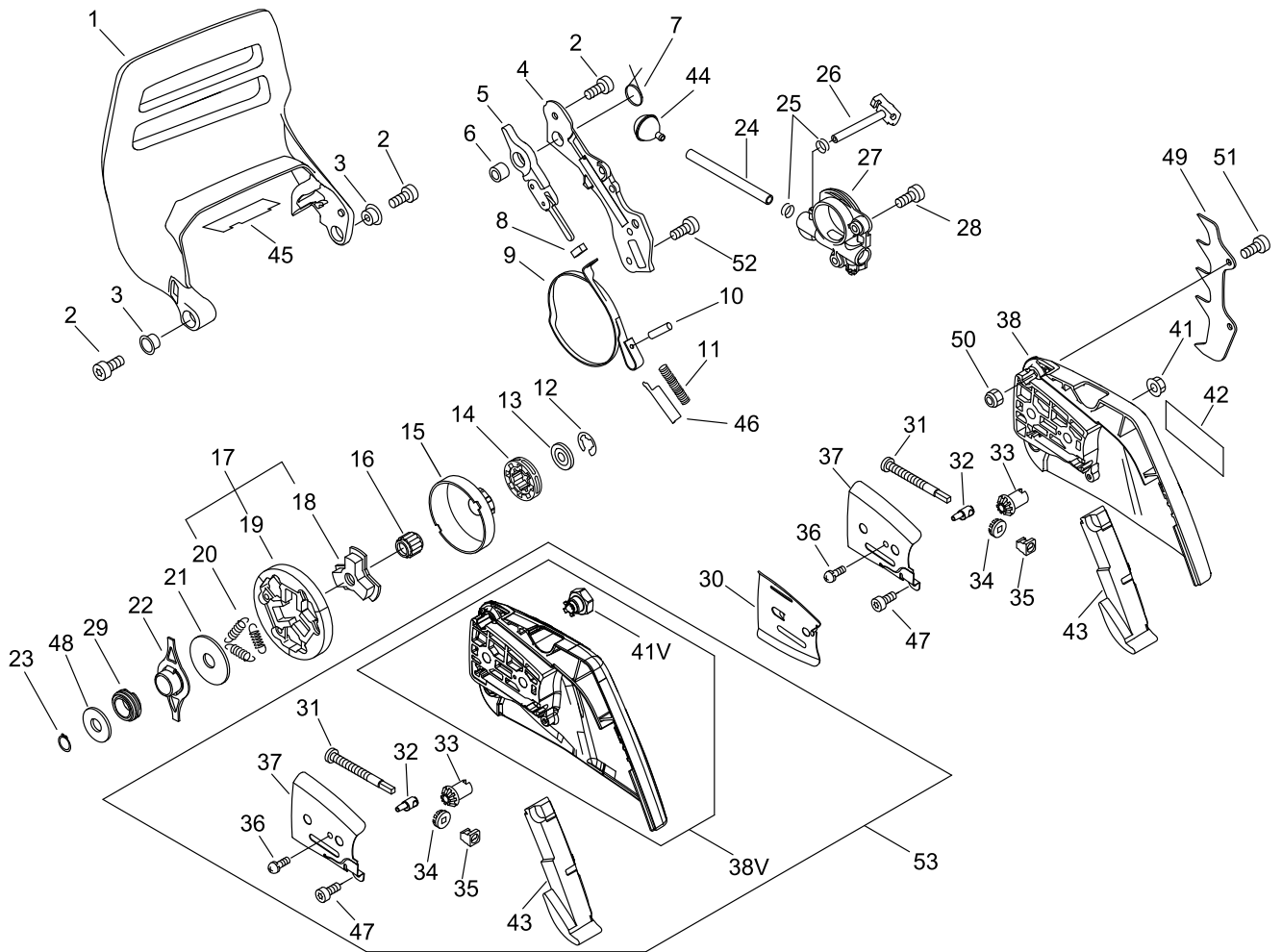
## HANDLE

Key No.	LV (+)	Parts Number	Parts Description	Qty	Standard	Class
47		C405-000560	BRACKET,HANDLE	1		C
48		C405-000570	BRACKET,HANDLE	1		C
49		V456-000280	HOLDER,SPRING	1		C
50		V404-000210	CUSHION,10	1		B
51		A472-000091	CASE,SWITCH	1		C

Class : Consumable class

A:Fast moving parts B:Semi-fast moving parts C:Slow moving parts D:Order only as needed

# CLUTCH, SPROCKET



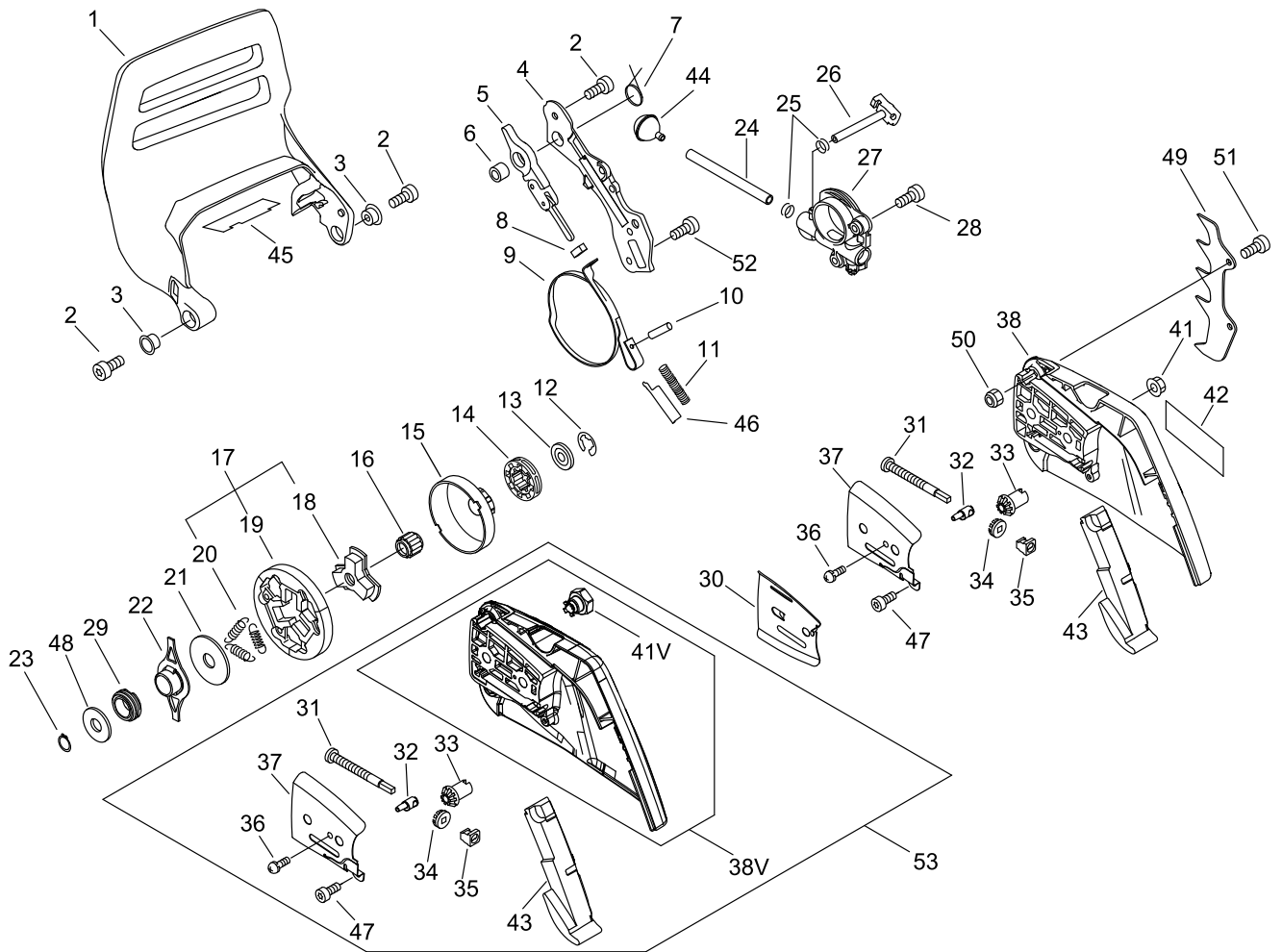
## CLUTCH, SPROCKET

Key No.	LV (+)	Parts Number	Parts Description	Qty	Standard	Class
1		C320-000182	LEVER, BRAKE	1		C
2		V805-000000	BOLT, TORX 5	5	TT-5*16 DG 10.9	C
3		V356-000440	COLLAR,10	2	11.2*16.2*T0.6	C
4		C345-000283	COVER,BRAKE	1		C
5		C334-000110	CONNECTOR, BRAKE	1		C
6		V356-000470	COLLAR,10	1	12*10*T1.0	C
7		V452-000400	SPRING,TORSION	1		B
8		V376-000450	SPACER	1		C
9		C328-000121	BAND, BRAKE	1		C
10		93050-30098	ROLLER	1	3*9.8	C
11		V450-000740	SPRING,COMPRESSION	1	12*70.5	B
12		V583-000440	RING	1	8.1 T1.2	C
13		V307-000520	WASHER,CIRCULAR 10	1		C
14		175033-14731	SPROCKET, RIM 68210S	1		B
15		A556-001610	DRUM, CLUTCH	1		B
16		V555-000160	BEARING,NEEDLE 10	1		B
17		A056-000220	CLUTCH ASY	1	VA	B
18	+	A552-000110	HUB, CLUTCH	1		B
19	+	P021-007050	CLUTCH SHOE SET	1		B
20	+	V451-000500	SPRING,TENSION	3		B
21		A551-000110	PLATE, CLUTCH	1	12*36*2	C
22		V358-000090	COLLAR,14	1		C
23		900701-00015	RETAINING RING	1	CS-15	
24		437210-30830	PIPE, OIL	1	NBR 3*6*210L	C
25		V490-001240	CLIP	2		C
26		V470-000830	PIPE	1		C
27		C022-000052	AUTO-OILER ASSEMBLY	1		C
28		V804-000000	BOLT, TORX 4	2	TT-4*12 DG 10.9	C
29		V652-000050	GEAR,WORM	1		B
30		C305-000111	PLATE,SPROCKET GUARD	1		C
31		V203-002140	BOLT,5	1		C
32		C309-000160	TENSIONER, CHAIN	1		C
33		V651-000001	GEAR,BEVEL	1		D
34		V651-000011	GEAR,BEVEL	1		D
35		V355-000800	COLLAR,8	1		C
36		91325-03005	SCREW, TAPPING	1	3*5	C
37		C305-000101	PLATE,SPROCKET GUARD	1		C
38		C300-000991	GUARD, SPROCKET	1		C
41		V265-000250	NUT	2		C
42		X502-000340	LABEL,ECHO	1	ECHO(WHITE)	D
43		C302-000011	PAD, GUARD	1		B
44		436205-14730	STRAINER, OIL	1		B
45		V341-000131	WASHER,SQUARE	1	75*27*0.15	C
46		C603-000220	PLATE, SIDE	1	T0.3	C

Class : Consumable class

A:Fast moving parts B:Semi-fast moving parts C:Slow moving parts D:Order only as needed

# CLUTCH, SPROCKET





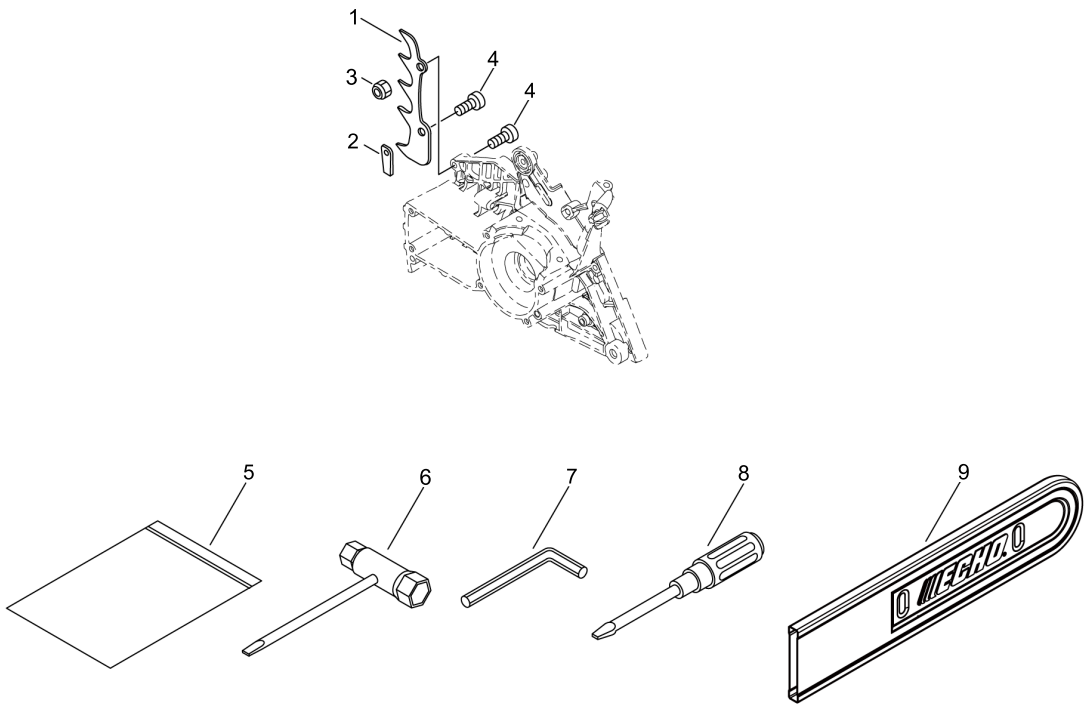
## CLUTCH, SPROCKET

Key No.	LV (+)	Parts Number	Parts Description	Qty	Standard	Class
47		V804-000000	BOLT, TORX 4	1	TT-4*12 DG 10.9	C
48		V311-000090	WASHER,CIRCULAR 16-1	1	15.5*22.5*0.5	C
49		C304-000300	SPIKED	1		C
50		900560-00005	NUT, LOCK	2	5	
51		V805-000300	BOLT, TORX 5	2	TB-5*12 12.9	C
52		V804-000000	BOLT, TORX 4	1	TT-4*12 DG 10.9	C
53		P100-008890	GUARD, SPROCKET KIT	1		C
38V	+	C300-001200	GUARD, SPROCKET	1		C
41V	++	V265-000660	NUT,8	2	M8*1.25*7.2	C
31	+	V203-002140	BOLT,5	1		C
32	+	C309-000160	TENSIONER, CHAIN	1		C
33	+	V651-000001	GEAR,BEVEL	1		D
34	+	V651-000011	GEAR,BEVEL	1		D
35	+	V355-000800	COLLAR,8	1		C
36	+	91325-03005	SCREW, TAPPING	1	3*5	C
37	+	C305-000101	PLATE,SPROCKET GUARD	1		C
43	+	C302-000011	PAD, GUARD	1		B
47	+	V804-000000	BOLT, TORX 4	1	TT-4*12 DG 10.9	C

Class : Consumable class

A:Fast moving parts B:Semi-fast moving parts C:Slow moving parts D:Order only as needed

# ACCESSORIES



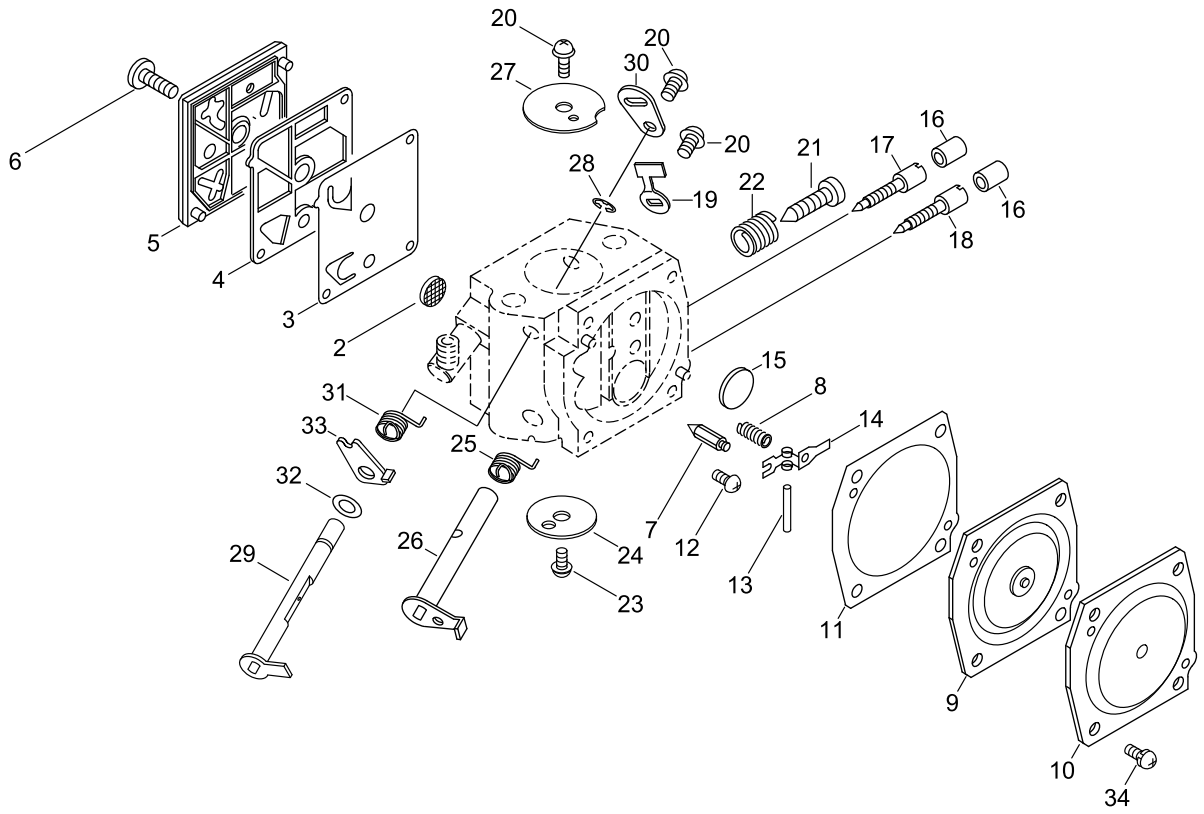
## ACCESSORIES

Key No.	LV (+)	Parts Number	Parts Description	Qty	Standard	Class
1		C304-000290	SPIKED	1		C
2		V376-001890	SPACER	1		C
3		900560-00005	NUT, LOCK 5	1	5	
4		V805-000250	BOLT, TORX 5	2	TB-5*16 12.9	C
5		X698-000050	TOOL,CASE	1	140*260*0.06	
6		X602-000080	TOOL,WRENCH	1	13*19 L180	D
7		X605-000190	TOOL,L WRENCH	1	T27 120*80	D
8		895812-03930	DRIVER, SCREW 50	1		D
9		X490-000660	SCABBARD,CHAIN	1	L500 W110 "ECHO	D

Class : Consumable class

A:Fast moving parts B:Semi-fast moving parts C:Slow moving parts D:Order only as needed

# CARBURETOR







## CARBURETOR

Key No.	LV (+)	Parts Number	Parts Description	Qty	Standard	Class
		A021-004150	CARBURETOR,DIAPHRAGM	1		B
2	+	123126-10631	SCREEN, INLET	1		B
3	+	123112-12330	DIAPHRAGM, FUEL PUMP	1		A
4	+	123125-12330	GASKET, FUEL PUMP	1		A
5	+	123124-19830	COVER, FUEL PUMP	1		D
6	+	123110-16130	SCREW, PUMP COVER	1		D
7	+	123137-19830	VALVE, INLET NEEDLE	1		D
8	+	123122-32630	SPRING, METER. LEVER	1		D
9	+	P003-004920	DIAPHRAGM ASSY	1	95-649	A
10	+	123142-17330	COVER, M. DIAPHRAGM	1		D
11	+	123140-16130	GASKET, M. DIAPHRAGM	1		A
12	+	123139-03930	SCREW, M. LEVER PIN	1		D
13	+	123138-03930	PIN, METERING LEVER	1		D
14	+	123123-18330	LEVER, METERING	1		D
15	+	123146-10631	PLUG, WELCH	1		C
16	+	P003-000010	LIMITER CAP	2		B
17	+	123118-02261	NEEDLE	1		D
18	+	123120-32631	NEEDLE, HIGH SPEED	1		D
19	+	123156-30830	STOP, THROTTLE	1		D
20	+	123114-38830	SCREW	3		D
21	+	123134-04260	SCREW, IDLE ADJUST	1		D
22	+	123133-04260	SPRING, IDLE ADJUST	1		D
23	+	P003-002380	SCREW	1		D
24	+	123132-16130	VALVE, CHOKE	1		D
25	+	P003-000560	SPRING, THRT. RETURN	1		D
26	+	P003-002280	SHAFT,THROTTLE	1		C
27	+	123116-16130	VALVE, THROTTLE	1		D
28	+	123127-15030	RING	1		D
29	+	P003-002290	SHAFT, CHOKE	1		D
30	+	P003-002300	LEVER, CHOKE	1		D
31	+	P003-000610	SPRING	1		D
32	+	123149-26030	WASHER	1		D
33	+	P003-000620	LEVER-FAST IDLE	1		D
34	+	123130-02960	SCREW	4		D

Class : Consumable class

A:Fast moving parts B:Semi-fast moving parts C:Slow moving parts D:Order only as needed

# GUIDE BAR, CHAIN

Pitch ピッチ	Gauge ゲージ	Length 長さ	Guide Bar ガイドバー		Saw Chain ソーチェーン		Chain Scabbard チェーン スカバード		Hard Nose ハード ノーズ	Sprocket Nose スプロケット ノーズ
			Key №	Type 形式	Key №	Type 形式	Key №	Length 長さ (cm)		
3/8 9.53	0.058 1.47	45	A1	45RS58D-3/8	A2	73LPX-64	-	-		
3/8 9.53	0.058 1.47	50	B1	50RS58D-3/8	B2	73LPX-72	-	-		
3/8 9.53	0.058 1.47	60	C1	60RS58D-3/8	C2	73LPX-84	3	65		

## GUIDE BAR, CHAIN

Key No.	LV (+)	Parts Number	Parts Description	Qty	Standard	Class
A1		X125-000260	BAR,GUIDE 45	1	45RS58D-3/8EEC	A
A2		X265-000060	CHAIN,SAW	1	73LPX-64	A
B1		X126-000190	BAR,GUIDE 50	1	50RS58D-3/8EEC	A
B2		X266-000060	CHAIN,SAW	1	73LPX-72	A
C1		X128-000050	BAR,GUIDE 60	1	60RS58D-3/8EEC	A
C2		X268-000040	CHAIN,SAW	1	73LPX-84	A
3		X490-000261	SCABBARD,CHAIN	1		D

Class : Consumable class

A:Fast moving parts B:Semi-fast moving parts C:Slow moving parts D:Order only as needed

# NUMERICAL PARTS INDEX

Part No	Part description	Page	Part No	Part description	Page	Part No	Part description	Page
100142-30830	KEY, WOODRUFF	2	436114-13930	VALVE, CHECK	2	A427-000013	CAP,SPARK PLUG	6
123110-16130	SCREW, PUMP COVER	18	436205-14730	STRAINER, OIL	12	A429-000040	COVER,CAP	6
123112-12330	DIAPHRAGM, FUEL PUMP	18	437210-30830	PIPE, OIL	12	A440-001190	SWITCH, ON OFF	8
123114-38830	SCREW	18	890157-39131	LABEL, SWITCH	4	A472-000091	CASE,SWITCH	10
123116-16130	VALVE, THROTTLE	18	890345-39231	LABEL,CAUTION	4	A503-000032	PLATE, STARTER	6
123118-02261	NEEDLE	18	895812-03930	DRIVER, SCREW 50	16	A506-000112	REEL, ROPE	6
123120-32631	NEEDLE, HIGH SPEED	18	900246-03008	SCREW, TAPPING	2	A509-000460	ROPE	6
123122-32630	SPRING, METER. LEVER	18	900246-03008	SCREW 3*8	8	A511-000072	GRIP, STARTER	6
123123-18330	LEVER, METERING	18	900345-40025	PIN, SPRING 4*25SUS	8	A551-000110	PLATE, CLUTCH	12
123124-19830	COVER, FUEL PUMP	18	900515-00008	NUT, FLANGE	6	A552-000110	HUB, CLUTCH	12
123125-12330	GASKET, FUEL PUMP	18	900560-00005	NUT, LOCK	14	A556-001610	DRUM, CLUTCH	12
123126-10631	SCREEN, INLET	18	900560-00005	NUT, LOCK 5	16	C022-000052	AUTO-OILER ASSEMBLY	12
123127-15030	RING	18	900603-00005	WASHER	6	C300-000991	GUARD, SPROCKET	12
123130-02960	SCREW	18	900701-00015	RETAINING RING	12	C300-001200	GUARD, SPROCKET	14
123132-16130	VALVE, CHOKE	18	900720-00028	O-RING	2	C302-000011	PAD, GUARD	12
123133-04260	SPRING, IDLE ADJUST	18	900720-20029	O-RING 29	8	C302-000011	PAD, GUARD	14
123134-04260	SCREW, IDLE ADJUST	18	91325-03005	SCREW, TAPPING	12	C304-000290	SPIKED	16
123137-19830	VALVE, INLET NEEDLE	18	91325-03005	SCREW, TAPPING	14	C304-000300	SPIKED	14
123138-03930	PIN, METERING LEVER	18	93050-30098	ROLLER	12	C305-000101	PLATE,SPROCKET GUARD	12
123139-03930	SCREW, M. LEVER PIN	18	94036-46202	BEARING, BALL	2	C305-000101	PLATE,SPROCKET GUARD	14
123140-16130	GASKET, M. DIAPHRAGM	18	A014-000110	RELEASE ASY., COMP.	2	C305-000111	PLATE,SPROCKET GUARD	12
123142-17330	COVER, M. DIAPHRAGM	18	A021-004150	CARBURETOR, DIAPHRAGM	4	C309-000160	TENSIONER, CHAIN	12
123146-10631	PLUG, WELCH	18	A021-004150	CARBURETOR, DIAPHRAGM	18	C309-000160	TENSIONER, CHAIN	14
123149-26030	WASHER	18	A031-000040	GUIDE, EXHAUST	4	C310-000030	CATCHER,CHAIN	2
123156-30830	STOP, THROTTLE	18	A056-000220	CLUTCH ASY	12	C320-000182	LEVER, BRAKE	12
130110-14530	PIPE, IMPULSE	8	A101-000210	RING, PISTON	2	C328-000121	BAND, BRAKE	12
130110-30830	PIPE, IMPULSE	8	A130-002160	CYLINDER	2	C334-000110	CONNECTOR, BRAKE	12
131050-19830	RETAINER, LINK	2	A160-001081	COVER,CYLINDER	4	C345-000283	COVER,BRAKE	12
131050-19830	RETAINER, LINK	8	A172-000842	COVER,FAN	6	C400-001170	HANDLE, FRONT	8
131051-19830	LINK	2	A202-000081	BELLOWS, INTAKE	2	C405-000560	BRACKET,HANDLE	10
131051-19830	LINK	8	A206-000010	HOLDER, BELLOWS	2	C405-000570	BRACKET,HANDLE	10
131205-19832	STRAINER, FUEL	8	A219-000000	SHUTTER, AIR	4	C410-001252	HANDLE, REAR	8
131300-56431	VENT ASSEMBLY, FUEL	8	A232-000472	LID,CLEANER	4	C411-000001	LID,HANDLE	8
132115-01461	GROMMET	2	A235-000191	KNOB,CLEANER LID	4	C450-000360	CONTROL, THROTTLE	8
132115-01461	GROMMET	8	A239-000060	PIPE, INTAKE	2	C454-000170	ROD, THROTTLE	8
150114-04920	BUSHING	8	A239-000070	PIPE, INTAKE	4	C603-000220	PLATE, SIDE	12
156110-04920	BUSHING	6	A241-000171	KNOB, CHOKE	8	C617-000362	STOPPER	8
175033-14731	SPROCKET, RIM 68210S	12	A300-001810	MUFFLER, EXHAUST	4	E106-000020	GUIDE,AIR	2
177214-02830	WASHER	6	A301-000030	PLATE, MUFFLER	4	P003-000010	LIMITER CAP	18
177218-19830	PAWL, STARTER	6	A310-000100	SCREEN, ARRESTOR	4	P003-000560	SPRING, THRT. RETURN	18
177220-35430	SPRING, REWIND	6	A359-000000	COVER,VENT	8	P003-000610	SPRING	18
177234-35430	SPRING, RETURN	6	A409-000360	ROTOR, MAGNETO	6	P003-000620	LEVER-FAST IDLE	18
177247-04630	SPACER, RATCHET	6	A425-000000	SPARKPLUG	6	P003-002280	SHAFT,THROTTLE	18
178090-37930	LOCKOUT, T. CONTROL	8	A426-000010	TERMINAL,SPARKPLUG	6	P003-002290	SHAFT, CHOKE	18



# NUMERICAL PARTS INDEX

Part No	Part description	Page	Part No	Part description	Page	Part No	Part description	Page
P003-002300	LEVER, CHOKE	18	V450-000740	SPRING, COMPRESSION	12	V805-000220	BOLT, TORX 5	2
P003-002380	SCREW	18	V450-000760	SPRING, COMPRESSION	8	V805-000230	BOLT, TORX 5	8
P003-004920	DIAPHRAGM ASSY	18	V450-000770	SPRING, COMPRESSION	8	V805-000250	BOLT, TORX 5	16
P021-007050	CLUTCH SHOE SET	12	V451-000500	SPRING, TENSION	12	V805-000300	BOLT, TORX 5	14
P021-016022	CASE, CLEANER	4	V452-000260	SPRING, TORSION	8	V806-000000	BOLT, TORX 6	8
P021-016031	CAP, OIL	2	V452-000400	SPRING, TORSION	12	V835-000000	BOLT, TORX 5	6
P021-016041	CAP, FUER ASSY	8	V456-000080	HOLDER, SPRING	8	V855-000010	BOLT, TORX 5	4
P021-016371	ELEMENT, AIR FILTER	4	V456-000090	HOLDER, SPRING	8	X125-000260	BAR, GUIDE 45	20
P021-041832	STARTER ASY	6	V456-000101	HOLDER, SPRING	8	X126-000190	BAR, GUIDE 50	20
P021-043990	PISTON KIT	2	V456-000280	HOLDER, SPRING	10	X128-000050	BAR, GUIDE 60	20
P021-044000	COIL, IGNITION	6	V470-000830	PIPE	12	X265-000060	CHAIN, SAW	20
P100-008890	GUARD, SPROCKET KIT	14	V471-000600	PIPE	8	X266-000060	CHAIN, SAW	20
P200-001410	CRANKCASE ASY	2	V475-004130	TUBE	6	X268-000040	CHAIN, SAW	20
V100-000270	GASKET, CYL	2	V485-001091	LEAD	6	X490-000261	SCABBARD, CHAIN	20
V102-000060	GASKET, CRANKCASE	2	V485-001101	LEAD	8	X490-000660	SCABBARD, CHAIN	16
V104-002150	GASKET, EXHAUST	4	V490-001240	CLIP	8	X502-000340	LABEL, ECHO	12
V130-000030	GROMMET, CHOKE	8	V490-001240	CLIP	12	X502-000900	LABEL, ECHO	6
V131-000020	GROMMET, NEEDLE	8	V508-000010	SEAL, OIL 15	2	X503-012510	LABEL, MODEL	4
V141-000090	GROMMET, PLUG	2	V555-000160	BEARING, NEEDLE 10	12	X505-006921	LABEL, CAUTION	4
V150-003800	PLATE, EYE	6	V556-000000	BEARING, NEEDLE 11	2	X602-000080	TOOL, WRENCH	16
V186-000500	JOINT, PIPE	8	V580-000030	RING, END	2	X605-000190	TOOL, L WRENCH	16
V203-002140	BOLT, 5	12	V583-000440	RING	12	X698-000050	TOOL, CASE	16
V203-002140	BOLT, 5	14	V609-000010	PIN, ENG 11	2			
V205-000401	BOLT, 8	2	V651-000001	GEAR, BEVEL	12			
V263-000450	NUT, 5	8	V651-000001	GEAR, BEVEL	14			
V265-000250	NUT	12	V651-000011	GEAR, BEVEL	12			
V265-000660	NUT, 8	14	V651-000011	GEAR, BEVEL	14			
V307-000520	WASHER, CIRCULAR 10	12	V652-000050	GEAR, WORM	12			
V308-000040	WASHER, CIRCULAR 11	2	V804-000000	BOLT, TORX 4	6			
V311-000090	WASHER, CIRCULAR 16-1	14	V804-000000	BOLT, TORX 4	8			
V341-000131	WASHER, SQUARE	12	V804-000000	BOLT, TORX 4	12			
V341-000140	WASHER, SQUARE	4	V804-000000	BOLT, TORX 4	14			
V353-000120	COLLAR, 5	2	V804-000030	BOLT, TORX 4	4			
V355-000800	COLLAR, 8	12	V805-000000	BOLT, TORX 5	2			
V355-000800	COLLAR, 8	14	V805-000000	BOLT, TORX 5	4			
V356-000440	COLLAR, 10	12	V805-000000	BOLT, TORX 5	6			
V356-000470	COLLAR, 10	12	V805-000000	BOLT, TORX 5	8			
V358-000090	COLLAR, 14	12	V805-000000	BOLT, TORX 5	12			
V360-000060	COLLAR, 18	2	V805-000010	BOLT, TORX 5	2			
V376-000450	SPACER	12	V805-000010	BOLT, TORX 5	8			
V376-001780	SPACER	2	V805-000020	BOLT, TORX 5	2			
V376-001890	SPACER	16	V805-000080	BOLT, TORX 5	4			
V404-000210	CUSHION, 10	10	V805-000130	BOLT, TORX 5	6			
V420-003800	CUSHION	2	V805-000170	BOLT, TORX 5	2			
V450-000730	SPRING, COMPRESSION	8	V805-000210	BOLT, TORX 5	4			